

05 BATH PLAN  
12/14/15

**1603BFSC – ACCESSIBLE SHOWERS**

Interior: 60 x 34 x 75 1/4 (1525 x 865 x 1910)  
 Exterior: 62 x 36 1/4 x 77 1/4 (1575 x 920 x 1960)  
 Fax on Demand #9067

The 1603BFSC roll-in shower features innovative installation design, including an engineered leveled base and improved front threshold. A true lime and money save, our pre-leveled base lets you install directly on a level floor. And its front threshold is engineered to keep a constant level without the use of brackets during installation.



**FEATURES**

- Pre-leveled base
- Gelcoat surface
- 3/4" (20 mm) skirt
- NO interior threshold
- Barrier free when properly installed
- Smooth wall
- Center drain
- 5-year limited warranty

**OPTIONS**

- Grab bars
- Fold-up seat
- Hand-held shower assembly with slide bar
- Pressure balancing mixing valve
- Soap dish
- Curtain rod and/or shower curtain

**CODE COMPLIANCE**

- ADA
- ICC/ANSI A117.1
- CSA B45/IFPMO Z124-2011
- TAS
- FHA
- HUD UM73a
- CAN/CSA-B651-12
- UFAS

\*\*Code compliant when fully equipped and installed according to guidelines.

**COLOR & TRIM OPTIONS**

**Slack**

- Almond
- Beige
- Bone
- White

\*\*Additional custom colors available. (Contact Customer Service)

**AQUATIC ADVANTAGE**

- National distribution
- 5 manufacturing facilities
- Private fleet
- Centralized customer service
- Field support
- 24-hour fax-on-demand



Aquatic products may be specified as Lasco Bathware.

24-HOUR FAX-ON-DEMAND 1-800-877-2005 aquaticbath.com



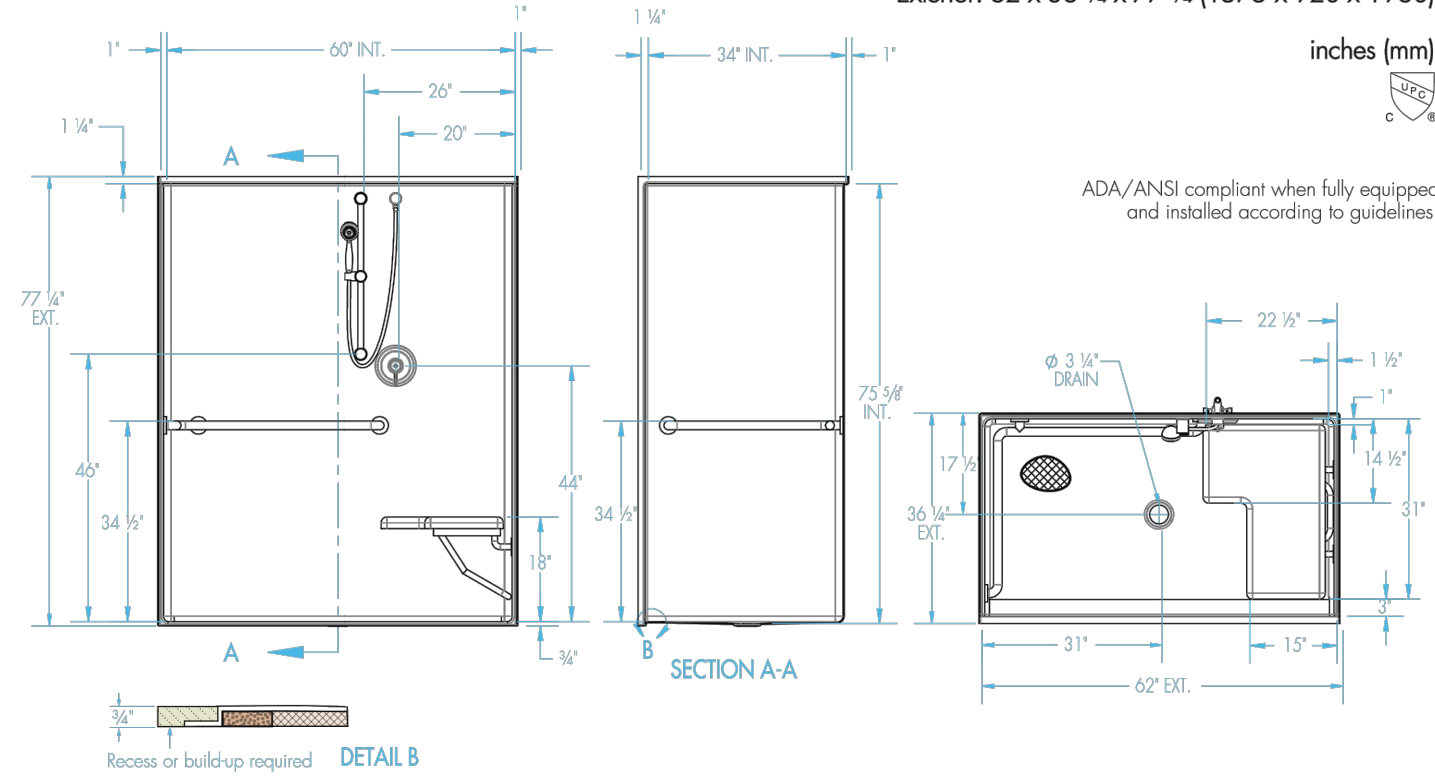
Aquatic products may be specified as Lasco Bathware.

**TECHNICAL SPECIFICATIONS**

Fax on Demand #9067

**1603BFSC**

Interior: 60 x 34 x 75 1/4 (1525 x 865 x 1910)  
 Exterior: 62 x 36 1/4 x 77 1/4 (1575 x 920 x 1960)



**FEATURES** (in fig.) Dimensional tolerance a "N". Dimensions needed for site preparation should be received from the unit. Aquatic assumes no responsibility for preparatory work.

Type and Model #	Material	Wall Finish	Pieces	Drain	Drain/Skirt Height	Net Wt.	Fig. Wt.
Shower # 1603BFSC	Gelcoat	Smooth	1	Center	3/4" (20mm) skirt, NO interior threshold	202 (90)	212 (95)

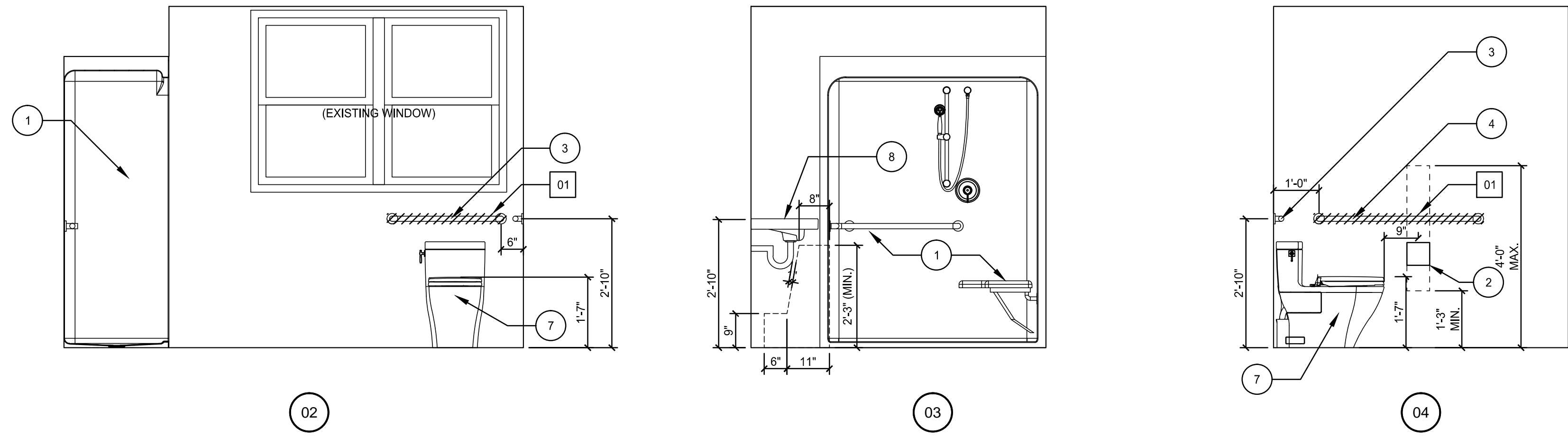
**DIMENSIONS** Specifications inches (mm)

Specifications	inches (mm)
Width: Ex. / Int.	62 (1575) / 60 (1525)
Depth: Ex. / Int.	36 1/4 (920) / 34 (865)
Height: Ex. / Int.	77 1/4 (1960) / 75 1/4 (1910)
Enclosure Opening	60 (1525)
Skirt Height	3/4 (20)
Drain Rough-In (from Back Wall)	17 1/8 (445)
Drain Rough-In (from Side Wall)	31 (785)

**FRAMING DIMENSIONS** inches (mm)

Type	D Depth	W Width	H Height	A	B	C
Alcove	36 1/4 (920)	62 1/4 (1580)	-	Box Out	31 (785)	17 1/8 (445)

For technical/installation literature, call (800) 877-2005 or visit www.aquaticbath.com Rev. 04.09.14



01-04 INTERIOR ELEVATIONS  
12/14/15

**TOILET ACCESSORIES SCHEDULE**

MARK	DESCRIPTION	MANUFACTURER	MODEL #	NOTES
1	STANDARD ROLL-IN SHOWER COMPARTMENT WITH SHOWER SEAT	AQUATIC	TBD	INSTALL AS SPECIFIED BY MANUFACTURER. SEE SPECIFICATIONS, THIS SHEET
2	SURFACE MOUNTED MULT-ROLL TOILET TISSUE DISPENSER	BOBRICK	B-4288	INSTALL AS SPECIFIED BY MANUFACTURER
3	1 1/2" Ø STAINLESS STEEL GRAB BARS W/ SNAP FLANGE	BOBRICK	B-6806X36	36". INSTALL AS SPECIFIED BY MANUFACTURER
4	1 1/2" Ø STAINLESS STEEL GRAB BARS W/ SNAP FLANGE	BOBRICK	B-6806X42	42". INSTALL AS SPECIFIED BY MANUFACTURER
5	WALL MOUNTED SOAP DISPENSER	BOBRICK	TBD	INSTALL AS SPECIFIED BY MANUFACTURER
6	18"X36" MIRROR W/ STAINLESS STEEL CHANNEL FRAME	BOBRICK	B-105 SERIES	INSTALL AS SPECIFIED BY MANUFACTURER
7	ADA COMPLIANT TOILET	TOTO	AIMES	INSTALL AS SPECIFIED BY MANUFACTURER
8	ADA COMPLIANT LAVATORY	TOTO	KIWAMI RENESSE	INSTALL AS SPECIFIED BY MANUFACTURER

NOTE:  
 CONTRACTOR MAY SUBMIT EQUAL ALTERNATE FOR ARCHITECT / OWNER APPROVAL

**KEYNOTES**

NO.	DESCRIPTION
01	INSTALL PRESSURE TREATED WOOD BLOCKING IN HATCHED AREA AS REQUIRED FOR GRAB BAR INSTALLATION



1001 SW 67 AVE, STE 102, Miami, FL 33144  
 TEL: +1 305 894 6605 FAX: +1 786 347 7692  
 INFO@ARM-ARCHITECT.COM  
 FLORIDA LICENSE NO. SA28001833

**336 COLLINS**  
 project name.  
 336 COLLINS AVENUE  
 MIAMI BEACH, FL 33139-6903  
 FOLIO: 02-4203-003-0870

project address.  
**PROPOSED INTERIOR ELEVATIONS**

drawing title.	PA/ARM	A-4.04
drawn by.	15006	
project no.	5.6.2015	
date.		

© 2015 ARM ARCHITECT, P.A.