

CLIENT :

701 4th Street

Interior Renovations

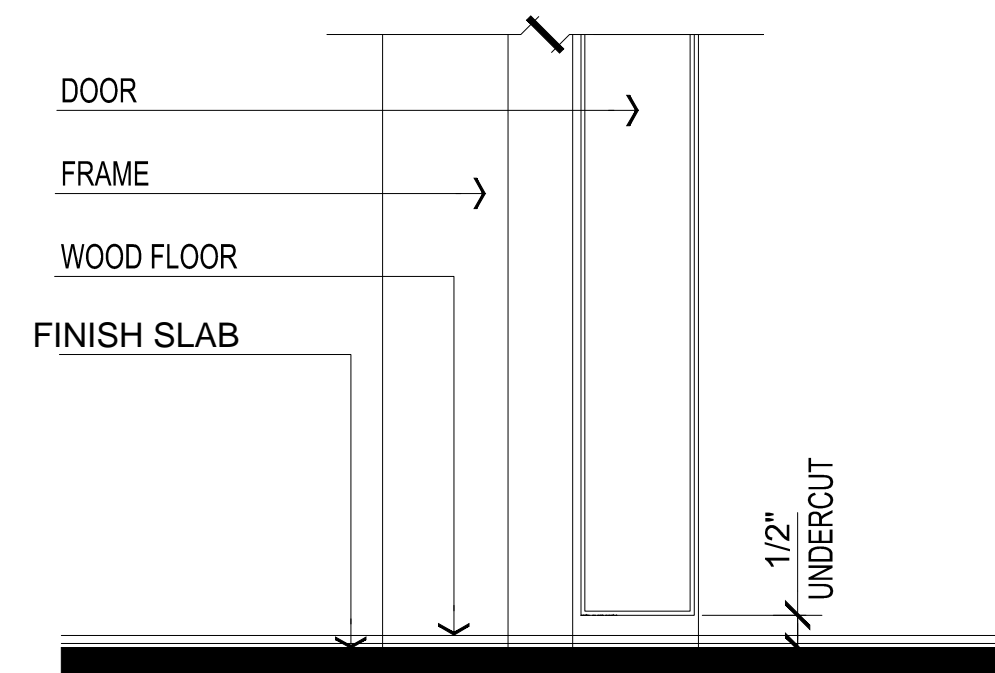
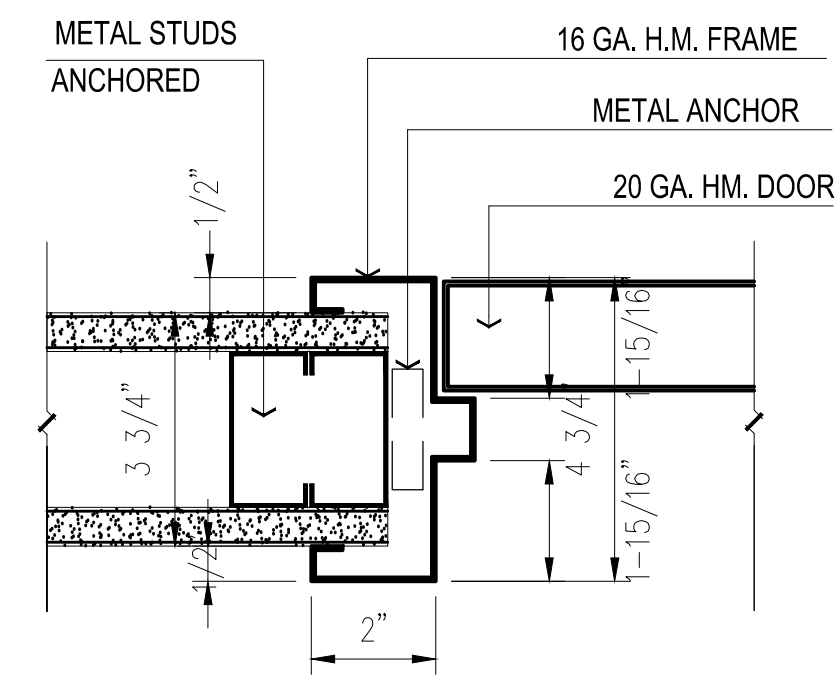
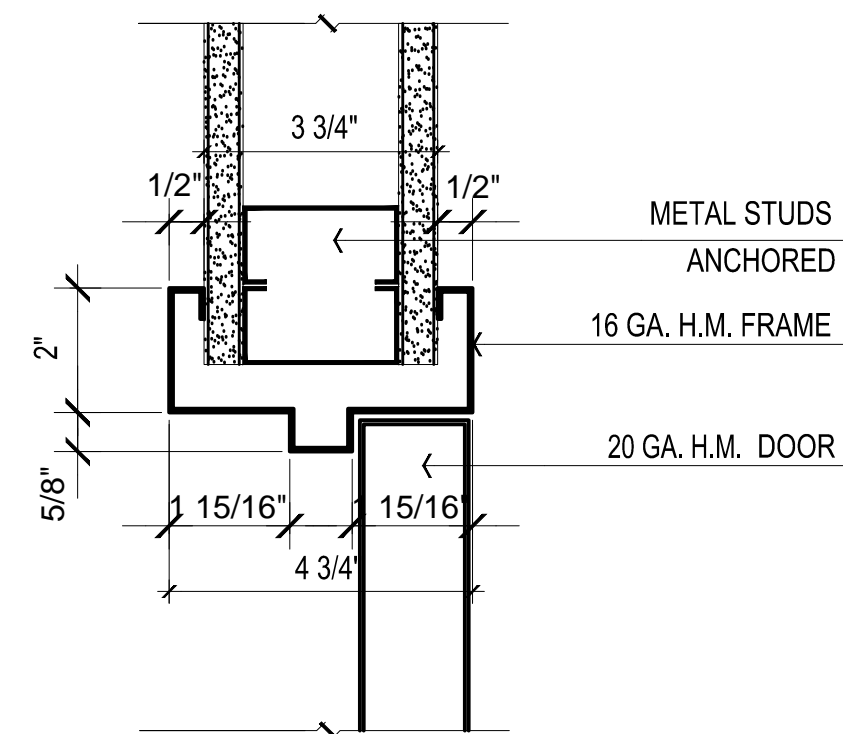
701 4th Street
Miami Beach, FL 33139
Folio: 02-4203-009-3040



CASTELLANOS DESIGN STUDIO
333 SE 2ND AVENUE, SUITE 2066
MIAMI, FL 33131
Tel: 786.218.5335
License #AA 26002467

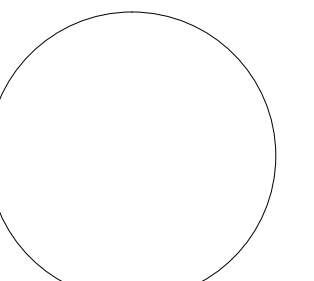
WWW.CASTELLANOSDESIGN.COM

No.	DATE	ISSUED / REVISED
1	29 AUG/16	SCHEMATIC DESIGN
2	1 SEP/16	DESIGN REVISION - 1
3	30 SEP/16	CONSTRUCTION DOCUMENTS



ALL DRAWN AND WRITTEN MATERIAL CONTAINED HEREIN IS THE SOLE PROPERTY OF CASTELLANOS DESIGN STUDIO, LLC. AND MAY NOT BE REPRODUCED, PUBLISHED, DISCLOSED OR USED WITHOUT EXPRESS WRITTEN CONSENT OF CASTELLANOS DESIGN STUDIO, LLC. THE DRAWINGS ARE SCOPE DOCUMENTS WHICH INDICATE THE GENERAL SCOPE OF WORK, AND SUCH DO NOT NECESSARILY DESCRIBE ALL WORK REQUIRED FOR THE FULL PERFORMANCE AND COMPLETION OF THE WORK. GENERAL CONTRACTORS TO FURNISH AND INSTALL ALL ITEMS REQUIRED FOR THE PROPER COMPLETION OF ITS WORK WITHOUT ADJUSTMENT TO THE CONTRACT AMOUNT. UNLESS SCOPE OF WORK CHANGES FROM THAT INDICATED ON THE DRAWINGS IN THE EVENT OF A CONFLICT BETWEEN OR AMONG THE CONTRACT DOCUMENTS, THAT DOCUMENT PLACING THE GREATEST BURDEN UPON GENERAL CONTRACTOR SHALL GOVERN. THE GENERAL CONTRACTOR SHALL CAREFULLY STUDY AND COMPARE ALL DRAWINGS, REPORTING ANY ERROR, INCONSISTENCY OR OMISSION HE MAY DISCOVER, AND REPORT FINDINGS AND IN NO CASE SHALL PROCEED IN UNCERTAINTY.

SEAL :



WESLEY ART CASTELLANOS
FLORIDA ARCHITECT LICENSE AR 96133

PROJECT NO : 2016-17

DOOR DETAILS

CHECKED BY : WC

SHEET NO :

DRAWN BY : AA

A-6.2

SCALE:

© 2016 BY CDS