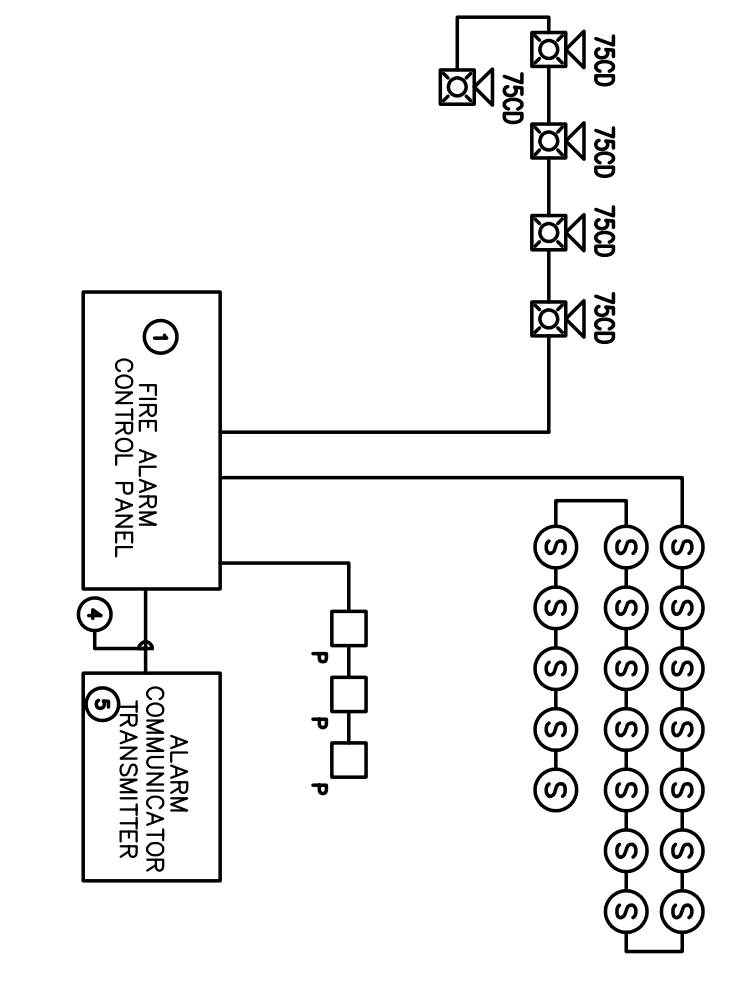


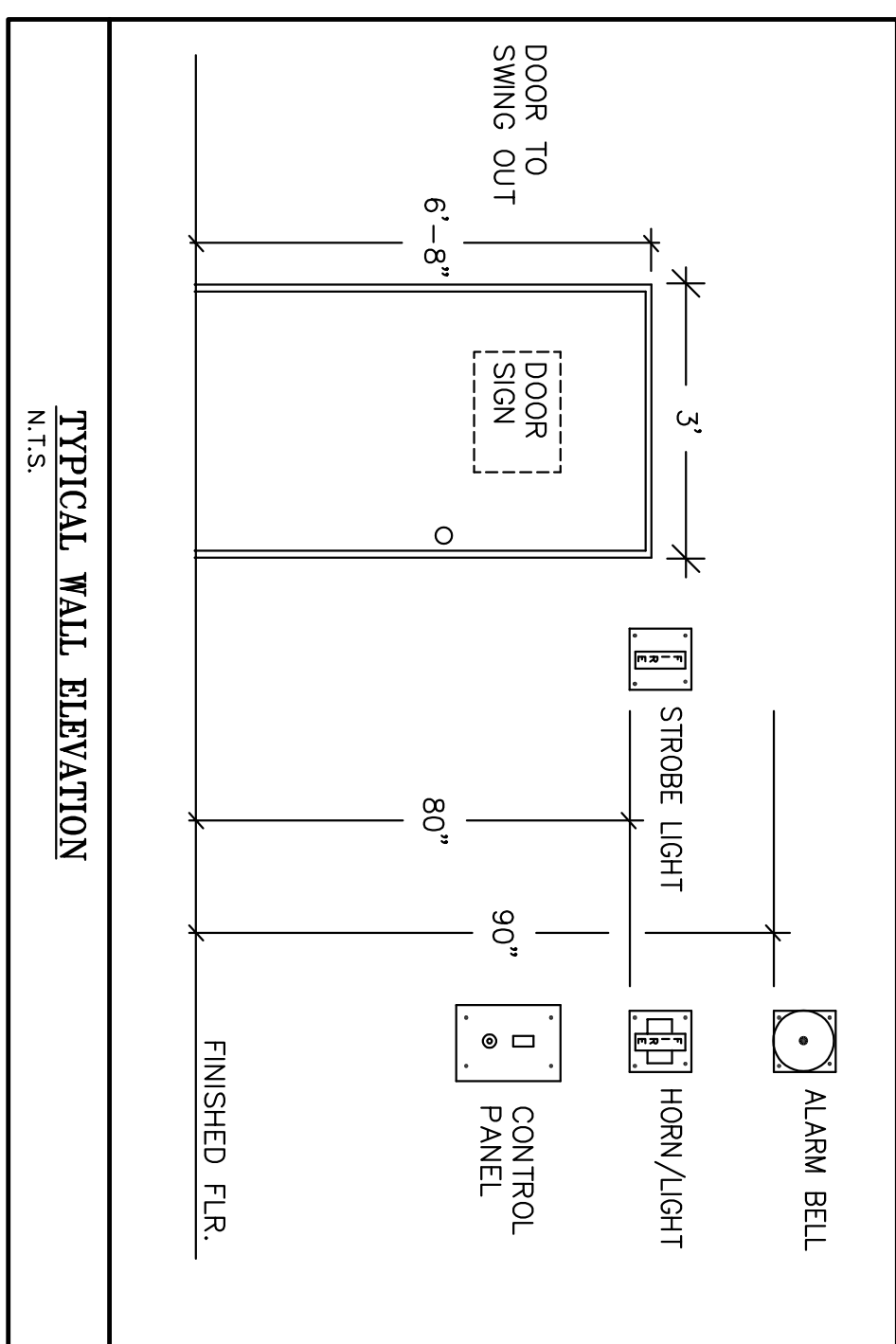
FIRE ALARM SYSTEM NOTES

1. CONTRACTOR SHALL PROVIDE SHOP DRAWINGS AND SIGNIT SIX COPIES TO THE ENGINEER PRIOR BEGINNING ANY WORK. SHOP DRAWINGS SHALL SHOW A TYPE, RATING, LOCATION, AND SIZE. EQUIPMENT CATALOG NUMBERS, BATTERY CODES, AND DESCRIPTIONS CLEARLY HIGH-LIGHTED TO SPECIFICALLY INDICATE WHICH PRODUCTS ARE PROPOSED FOR USE. AFTER SATISFACTORY REVIEW BY THE ENGINEER, THE CONTRACTOR SHALL SEEK APPROVAL BY THE FIRE MARSHAL. AFTER SATISFACTORY REVIEW BY THE FIRE MARSHAL, WORK SHALL COMMENCE.
2. ALL COMPONENTS SHALL BEAR THE U. L. LABEL FOR FIRE SERVICE USE AND SHALL BE COMPATIBLE FOR USE WITH ALL INTERCONNECTING EQUIPMENT. THE COMPLETE SYSTEM SHALL BE INSTALLED IN ACCORDANCE WITH THE MANUFACTURER'S RECOMMENDATIONS, N.E.C., N.F.P.A., A.S.A., ANSI, F.E.C., AND ALL LOCAL CODES.
3. HORNS AND SPEAKERS SHALL BE OF SUCH CHARACTER AND SO LOCATED, AS TO BE CLEARLY HEARD THROUGHOUT AND ABOVE AMBIENT NOISE LEVELS. ϕ
4. HORN AND SPEAKER SIZE SHALL BE 1/7" FOR ALL RINGS. CONDUIT SHALL LOGS ALL DEVICES AND #14 AWG FOR HORN AND/OR STROBE CIRCUITS.
5. ALL CONDUCTORS SHALL BE COPPER AND SHALL BE SIZED FOR NO MORE THAN 100 LOSS. MINIMUM #10 AWG AND #14 AWG FOR HORN AND/OR STROBE CIRCUITS.
6. CONDUCTOR INSULATION FOR CABLES SHALL BE TYPE THN, F. CABLES PENETRATE INTO OR THROUGH PLENUM AREAS USED FOR TRANSFER OF INSTRUMENTAL AIR, THEY SHALL BE TYPE FPLP, TETON INSULATED TYPE.
7. THE CONTRACTOR SHALL FINISH AND INSTALL ALL EQUIPMENT, CONDUIT SYSTEM, CON- DUCTORS, DEVICES, ETC., AND ALL OTHER ACCESSORIES REQUIRED FOR AN ACCEPTABLE AND FULLY FUNCTIONAL SYSTEM.
8. FINAL CONNECTIONS BETWEEN EQUIPMENT AND WIRING SYSTEM SHALL BE MADE UNDER DIRECT SUPERVISION OF A QUALIFIED TECHNICAL REPRESENTATIVE OF THE EQUIPMENT MANU- FACTURER WHO SHALL TEST THE SYSTEM COMPLETELY AND PROVIDE A CERTIFICATE IN WRITING AS TO THE AS-BUILT DRAWINGS SHOWING POINT BY POINT CONNECTIONS OF ALL DEVICES AND FINAL EQUIPMENT LOCATIONS SHALL BE GIVEN TO THE OWNER UPON ACCEPTANCE OF INSTALLATION BY THE OWNER.
9. ALL EQUIPMENT SHALL BE BY LISTED APPROVED EQUIPMENT.
10. CONTRACTOR SHALL SIGNIT FIRE ALARM SYSTEM SHOP DRAWINGS, INCLUDE TECHNICAL DATA, SHEETS TO BUILDING DEPARTMENT THAT COMPLY WITH THE MARSHAL'S OFFICE FIRE ALARM SYSTEM INSTALLATION REQUIREMENTS, FOR APPROVAL PRIOR TO INSTALLATION.
11. ALL DUCT SMOKE DETECTORS SHALL MAINTAIN A TROUBLE/SUPERVISORY SIGNAL IN THE FIRE ALARM SYSTEM NOT A FULL ALARM.

- NOTES:**
1. SYSTEM SHALL BE ADDRESSABLE MICRO-PROCESSOR BASED WITH POINT ANNUNCIATION, NOTIFIER
 2. NOT USED
 3. INSTALL SYSTEM AS DIRECTED BY MANUFACTURERS APPROVED SHOP DRAWINGS.
 4. PROVIDE CONDUIT TO TELEPHONE WOOD BACKBOARD FOR WIRE CONNECTION TO ALARM COMMUNICATOR TRANSMITTER.
 5. PROVIDE SILENT KNIGHT AUTO DIALER #5104.



FIRE ALARM RISER DIAGRAM

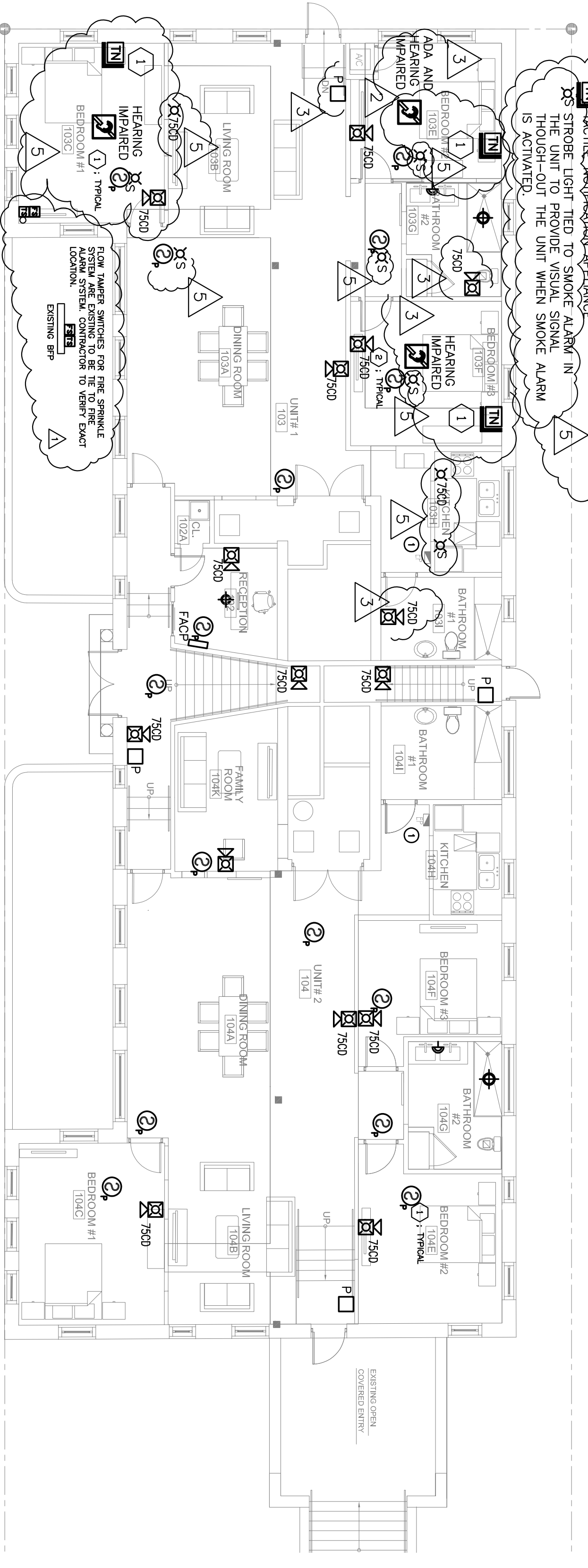


FIRE ALARM LEGEND

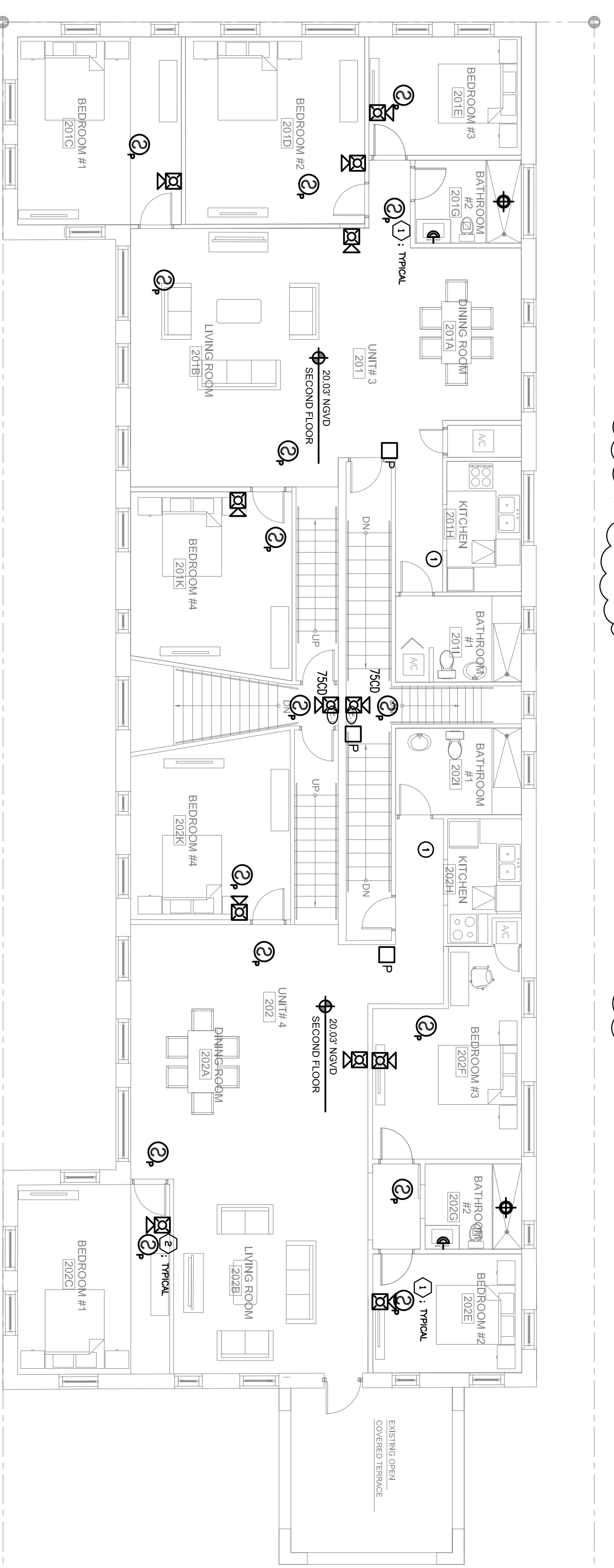
- FIRE ALARM MANUAL PULL STATION
- WIP WEATHERPROOF FIRE ALARM HORN/STROBE COMBINATION
- FIRE ALARM HORN / STROBE COMBINATION
- FIRE ALARM STROBE
- FIRE ALARM HORN
- FIRE ALARM SPEAKER
- PHOTOELECTRIC SMOKE DETECTOR, ADDRESSABLE
- DUCT SMOKE DETECTOR, ADDRESSABLE
- HEAT DETECTOR, FIXED TEMPERATURE (135°)
- FIRE ALARM FLOW SWITCH
- FIRE ALARM TAMPER SWITCH
- CONTROL RELAY
- FIRE ALARM CONTROL PANEL, ADDRESSABLE
- FIRE ALARM ENUNCIATOR PANEL

CONSTRUCTION NOTES:

1. PROVIDE AUDITORY, VISUAL, AND TACTILE NOTIFICATION APPLIANCE (BEDSHAKE) TO ALL SUITES DESIGN TO BE USED BY HEARING DEFICIENT GUESTS. REFER TO ARCHITECT DRAWING FOR THIS SUITES.
2. TACTILE NOTIFICATION APPLIANCE SHALL BE USED BY HEARING DEFICIENT GUESTS. REFER TO ARCHITECT DRAWING FOR THIS SUITES.
3. STROBE LIGHTS TO PROVIDE VISUAL SIGNAL THROUGH-OUT THE UNIT WHEN SMOKE ALARM IS ACTIVATED.



1 FIRE ALARM GROUND FLOOR PLAN SCALE: 1/8"=1'-0"



2 FIRE ALARM SECOND FLOOR PLAN SCALE: 1/8"=1'-0"

engineering inc.
 6055 Le Jeune Road, Suite 1109
 Miami Beach, FL 33139
 Phone: 305-444-9809
 Fax: 305-444-9827
 www.arp-engineering.com

Amalite Rodriguez, P.E.
 License Number: 60236
 C.A. 2039

Signature: _____
 Date: _____

JOB #: 1540908

CLIENT:
701 4th Street
 Interior Renovations
 701 4th Street
 Miami Beach, FL 33139
 Folio: 02-4203-009-3040

CDS
 333 SE 2ND AVENUE, SUITE 2066
 MIAMI, FL 33131
 Tel: 786.218.5335
 License #AA 26002467
 WWW.CASTELLANOSDESIGN.COM

No.	DATE	ISSUED / REVISED
1	02-16-17	RTC
3	05-22-17	RTC
5	07-12-17	RTC

ALL DRAWING INFORMATION, WHETHER CONTAINED HEREIN OR NOT, IS THE PROPERTY OF CASTELLANOS DESIGN, ARCHITECTURE, P.C. AND MAY NOT BE REPRODUCED OR TRANSMITTED IN ANY FORM OR BY ANY MEANS, WITHOUT THE WRITTEN CONSENT OF CASTELLANOS DESIGN, ARCHITECTURE, P.C. THE DRAWINGS AND SPECIFICATIONS WERE PREPARED BY THE ARCHITECT AND SHALL BE USED FOR THE PROJECT AND SITE ONLY. ANY CHANGES TO THE DRAWINGS SHALL BE MADE BY THE ARCHITECT. THE ARCHITECT'S RESPONSIBILITY IS LIMITED TO THE DESIGN AND CONSTRUCTION OF THE PROJECT. THE ARCHITECT SHALL NOT BE RESPONSIBLE FOR THE DESIGN OR CONSTRUCTION OF ANY OTHER WORK OR FOR THE DESIGN OR CONSTRUCTION OF ANY OTHER WORK. THE ARCHITECT SHALL NOT BE RESPONSIBLE FOR THE DESIGN OR CONSTRUCTION OF ANY OTHER WORK. THE ARCHITECT SHALL NOT BE RESPONSIBLE FOR THE DESIGN OR CONSTRUCTION OF ANY OTHER WORK.

WESLEY ART CASTELLANOS
 FLORIDA ARCHITECT LICENSE #9133
 PROJECT NO.: 2016-17

FIRE ALARM GROUND AND SECOND FLOOR PLAN

CHECKED BY: A.R. SHEET NO.:
 DRAWN BY: A.R.
 SCALE: AS SHOWN
FA-1
 ©2016 BY CDS