



MIAMI-DADE COUNTY
BUILDING CODE COMPLIANCE OFFICE (BCCO)
PRODUCT CONTROL DIVISION

MIAMI-DADE COUNTY, FLORIDA
METRO-DADE FLAGLER BUILDING
140 WEST FLAGLER STREET, SUITE 1603
MIAMI, FLORIDA 33130-1563
(305) 375-2901 FAX (305) 375-2908
www.miamidade.gov/buildingcode

NOTICE OF ACCEPTANCE (NOA)

Ingersoll-Rand
6810 Hillsdale Court
Indianapolis, IN 46250

SCOPE:

This NOA is being issued under the applicable rules and regulations governing the use of construction materials. The documentation submitted has been reviewed by Miami-Dade County Product Control Division and accepted by the Board of Rules and Appeals (BORA) to be used in Miami Dade County and other areas where allowed by the Authority Having Jurisdiction (AHJ).

This NOA shall not be valid after the expiration date stated below. The Miami-Dade County Product Control Division (In Miami Dade County) and/or the AHJ (in areas other than Miami Dade County) reserve the right to have this product or material tested for quality assurance purposes. If this product or material fails to perform in the accepted manner, the manufacturer will incur the expense of such testing and the AHJ may immediately revoke, modify, or suspend the use of such product or material within their jurisdiction. BORA reserves the right to revoke this acceptance, if it is determined by Miami-Dade County Product Control Division that this product or material fails to meet the requirements of the applicable building code.

This product is approved as described herein, and has been designed to comply with the Florida Building Code, including the High Velocity Hurricane Zone.

DESCRIPTION: IR Series Double glazed Outswing Commercial Steel Doors w / wo Panic Exit Devices

APPROVAL DOCUMENT: Drawing No "IRG-D07", titled "IR Glass Outswing Double Doors", sheets 1 through 14 of 14, prepared by the manufacturer, dated 05-27-07 and last revised on 04/14/10, signed and sealed by Thomas Gordon, P.E., bearing the Miami-Dade County Product Control renewal stamp with the Notice of Acceptance number and expiration date by the Miami-Dade County Product Control Division.

MISSILE IMPACT RATING: Large and Small Missile Impact Resistant

Limitations:

1. See Design Pressures, Sizes, DLO, Hardware and Water infiltration limitation sheets 1 & 2 of the drawings.
2. Expanded foam core options (F) in sheet 4 is limited to EPS by Falcon Corp and Polyisocyanurate -H200 (polyurethane) by Elliott Co.
3. Electrical/Electronic function is not part of this approval, such functions to be reviewed and approved by AHJ.

LABELING: Each unit shall bear a permanent label with the manufacturer's name or logo, city, state and following statement: "Miami-Dade County Product Control Approved", unless otherwise noted herein.

RENEWAL of this NOA shall be considered after a renewal application has been filed and there has been no change in the applicable building code negatively affecting the performance of this product.

TERMINATION of this NOA will occur after the expiration date or if there has been a revision or change in the materials, use, and/or manufacture of the product or process. Misuse of this NOA as an endorsement of any product, for sales, advertising or any other purposes shall automatically terminate this NOA. Failure to comply with any section of this NOA shall be cause for termination and removal of NOA.

ADVERTISEMENT: The NOA number preceded by the words Miami-Dade County, Florida, and followed by the expiration date may be displayed in advertising literature. If any portion of the NOA is displayed, then it shall be done in its entirety.

INSPECTION: A copy of this entire NOA shall be provided to the user by the manufacturer or its distributors and shall be available for inspection at the job site at the request of the Building Official.

This NOA **revises & renews** NOA # **07-0829.05** consists of this page 1 and evidence pages E1, E-2, as well as approval document mentioned above.

The submitted documentation was reviewed by **Ishaq I. Chanda, P.E.**

NOA No 10-0209.08
Expiration Date: May 05, 2015
Approval Date: May 12, 2010
Page 1



5/10/10

NOTICE OF ACCEPTANCE: EVIDENCE SUBMITTED

A. DRAWINGS (transferred from file # 07-0829.05)

1. Manufacturer's parts and sections drawings.
2. Drawing No "IRG-D07", titled "IR Glass Outswing Double Doors", sheets 1 through 14 of 14, prepared by the manufacturer, dated 05-27-07 and last revised on 04/14/10, signed and sealed by Thomas Gordon, P.E.

B. TESTS

1. Test report on

- 1) Uniform Static Air Pressure Test, Loading per TAS 202-94
- 2) Large Missile Impact Test per FBC, TAS 201-94
- 3) Cyclic Wind Pressure Loading per FBC, TAS 203-94
- 4) Forced Entry Test, per PA 202-94

Along with manufacturer's parts and section drawings of double flush outswing steel doors, marked by National Certified Testing Lab, Test Reports No. **NCTL-210-3580-2**, dated March 25, 2009, signed and sealed by Gerry Ferrara, P. E.

2. Test report (transferred from file # 07-0829.03)

- 1) Air Infiltration Test, per TAS 202-94
- 2) Uniform Static Air Pressure Test, Loading per TAS 202-94
- 3) Large Missile Impact Test per FBC, TAS 201-94
- 4) Cyclic Wind Pressure Loading per FBC, TAS 203-94
- 5) Forced Entry Test, per PA 202-94

Along with manufacturer's parts and section drawings of double glazed outswing steel doors, marked by Certified Testing Lab, Test Reports No(s). **CTLA-776W** dated February 20, 2002, **CTLA-975W** dated Jan 23, 2003, **CTLA-882W** dated Aug 29, 2002, **CTLA-1035W-2** dated Feb. 11, 2003, **CTLA-1086-W** dated Nov. 17, 2003, all signed and sealed by Ramesh Patel, P.E. (Note: Test report CTLA-1035W has been revised by an addendum letter dated Feb 20, 2009, signed and sealed by Ramesh Patel, P.E.)

Also manufacturer's parts and section drawings of glazed outswing double steel doors, marked by Certified Testing Lab, Test Reports No(s). **NCTL-210-3232-1** dated 02/24/06 and **NCTL-210-3357-1** dated Dec 28, 2006, signed and sealed by Gerard J. Ferrara, P.E.

3. Additional test reports

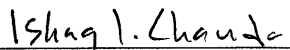
- 1) Uniform Static Air Pressure Test, Loading per FBC TAS 202-94.
- 2) Water Resistance Test per FBC TAS 202-94

Along with marked-up drawings and installation diagram of double steel commercial doors, prepared by National Certified Testing Laboratories Inc., Test Report No. **NCTL-210-03-0514-11**, dated August 31, 2004, **NCTL- 210-3044-1**, dated August 31, 2004, **NCTL- 210-3549-1**, dated August 26, 2008 and **NCTL- 210-3511-1** dated 04/09/08, all signed and sealed by Gerard J. Ferrara, P. E.

Note: Test report No(s): NCTL210-3549-1 and NCTL-210-3511-1 have been revised by an addendum letter, issued by Lab, dated Feb. 04, 2009, signed & sealed by Gerard J. Ferrara, P. E.

C. CALCULATIONS: (transferred from file # 07-0829.05)

1. Anchor verification, dated 12/18/2007 and last revised on 06/18/2008, prepared, signed & sealed by Thomas Gordon., P.E.
2. Evaluation report for Hinges dated 09/01/04, prepared, signed & sealed by Thomas Gordon., P.E.



Ishaq I Chanda, P.E.
Product Control Examiner
NOA No 10-0209.08
Expiration Date: May 05, 2015
Approval Date: May 12, 2010

NOTICE OF ACCEPTANCE: EVIDENCE SUBMITTED

D. QUALITY ASSURANCE BY;

1. Miami-Dade County Building Code Compliance Office (BCCO).

E. MATERIAL CERTIFICATIONS (Photo copies from files # listed below)

1. Notice of Acceptance No. **08-0305.02** issued to Sabcic innovative Plastic (Former G.E. Plastic) for "Lexan sheet", expiring on 07/17/2013.
2. Notice of Acceptance No. **07-1116.04** issued to E.I. DuPont DeNemours, for SentryGlasPlus", expiring on 01/14/2012.
3. Test Report No. **03NK2370/R145081**, January 21, 2003, issued by Underwriters laboratories Inc for "Surface Burning Characteristics of Building material" per ASTM E84-00a and self Ignition per ASTM1929D for "Elfoam H200", issued to Elliott Co. of Indianapolis Inc.
4. Tensile test report # CTLA-776W (0194H), dtd 02/25/02 prepared by CTL Architectural Division, sheet samples, tested per ASTM E8, signed & sealed by Ramesh Patel, P.E.
5. Tensile Test report No. A103W1-Test 1, 2 & 3 dated 23 APR 03 per ASTM E-8 for steel face sheet, prepared by Certified Testing laboratory, signed and sealed by Ramesh Patel, P.E.
6. Test Report No. **NER-384**, reissued dated May 01, 1994, issued by National Evaluation Service Inc to Huntsman Chemical Corporation for "Expanded Polystyrene EPS" for grade 86 & grade 54 for "Surface Burning Characteristics of Building material" per ASTM E 84.
7. Test Report No. **9691**, dated August 28, 1987, 1994, issued by United Testing Company Inc. to Huntsman Chemical Corporation for "Expanded Polystyrene EPS" for grade 86 & 54 for "Self Ignition Temperature Test" per ASTM D-1929.
8. Test Report No. **R16529**, July 29, 2005, issued by Underwriters laboratories Inc for foamed plastic for "Surface Burning Characteristics of Building material" per ASTM E84 and self Ignition per ASTM1929D for "BRYX-R16529", issued to Falcon Foam, Division of Atlas Roofing Corp.

F. STATEMENTS

1. Letter of conformance to FBC 2007 & "No financial interest" dated Feb. 03, 2010, signed and sealed by Gordon Thomas, P.E.
2. Laboratory Statement of compliance, part of the above referenced test reports
3. Letter of certification dated 04/20/10, issued by Ingersoll-Rand for electronic CO lock series mechanical /functional parts same as AD, ND and AD-M series.
4. Letter of commitment dated 04/21/10 issued by Ingersoll-Rand for additional tests for butt & continuous Hinges in near future, signed by Yuri Farber.

G. OTHER

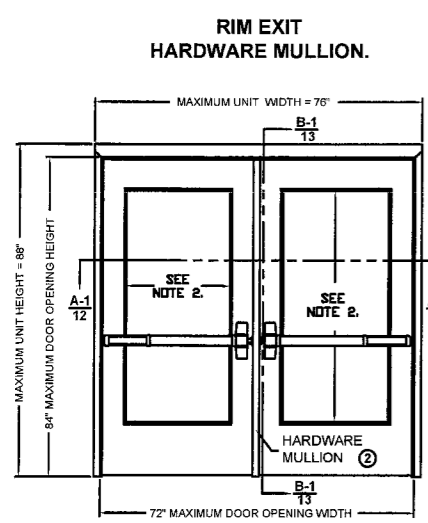
1. This NOA **revises & renews** NOA # **07-0829.05**, expiring May 05, 2015.
2. Previously consolidates NOA #(s) associated with this files are **07-0829.05, 03-0908.03, 04-0303.03, 05-0325.02, 08-0508.07** and **08-0715.03**.
3. Consolidation Test proposal # **06-2468**, dated 04/27/07 approved by BCCO.
4. IR Locks & Panic devices brochures / catalogs supplied by manufacturer.

Ishaq I. Chanda

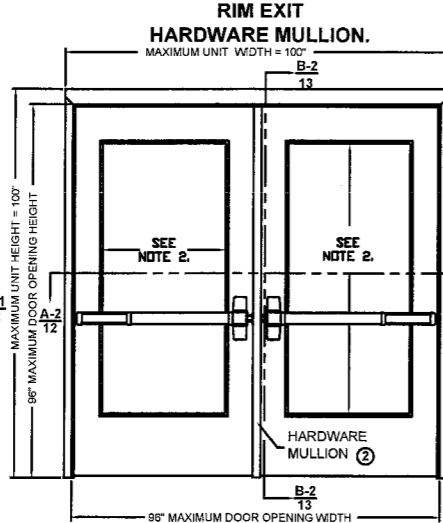
Ishaq I Chanda, P.E.
Product Control Examiner
NOA No 10-0209.08
Expiration Date: May 05, 2015
Approval Date: May 12, 2010

REVISIONS				
LTR	DESCRIPTION	DATE	APPROVED	
A	APPROVAL DWG	YMF 05/20/07		
B	APPROVAL DWG	RAP 11/26/07		
C	APPROVAL DWG	RAP 12/14/07		
D	REVISED DWG	YMF 10/22/08		
E	REVISED DWG	YMF 02/05/09		
F	REVISED DWG	YMF 01/04/10		
G	REVISED DWG	YMF 04/08/10		

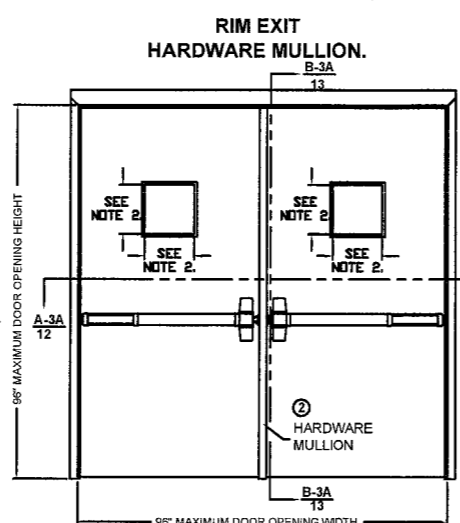
[Signature]
 Gordon Thomas, P.E. Date
 3759 Blossom Court
 Mason, OH 45040
 Florida # 46718



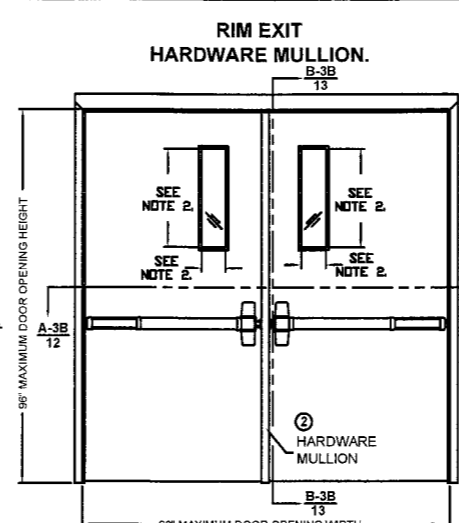
DESIGN PRESSURE RATING, PSF	WHERE WATER INFILTRATION REQUIREMENT IS NEEDED	WHERE WATER INFILTRATION REQUIREMENT IS NOT NEEDED
1	±60 SEE TABLE 3 ON SHT. 5	±60 SEE TABLE 4 ON SHT. 5



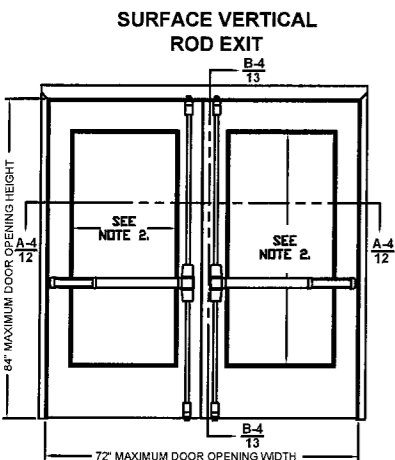
DESIGN PRESSURE RATING, PSF	WHERE WATER INFILTRATION REQUIREMENT IS NEEDED	WHERE WATER INFILTRATION REQUIREMENT IS NOT NEEDED
2	±50 SEE TABLE 3 ON SHT. 5	±50 SEE TABLE 4 ON SHT. 5



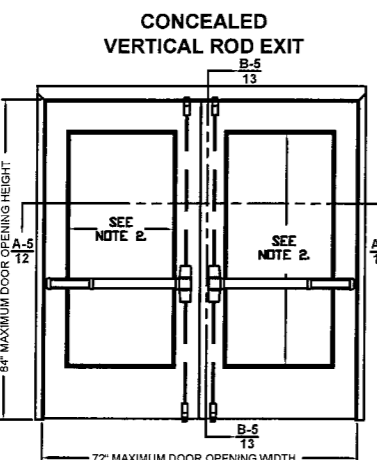
DESIGN PRESSURE RATING, PSF	WHERE WATER INFILTRATION REQUIREMENT IS NEEDED	WHERE WATER INFILTRATION REQUIREMENT IS NOT NEEDED
3A	±75 SEE TABLE 3 ON SHT. 5	±90 SEE TABLE 4 ON SHT. 5



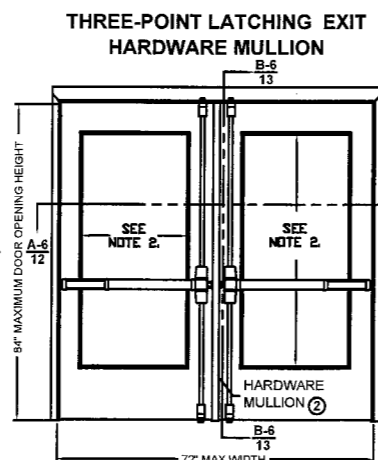
DESIGN PRESSURE RATING, PSF	WHERE WATER INFILTRATION REQUIREMENT IS NEEDED	WHERE WATER INFILTRATION REQUIREMENT IS NOT NEEDED
3B	±75 SEE TABLE 3 ON SHT. 5	±90 SEE TABLE 4 ON SHT. 5



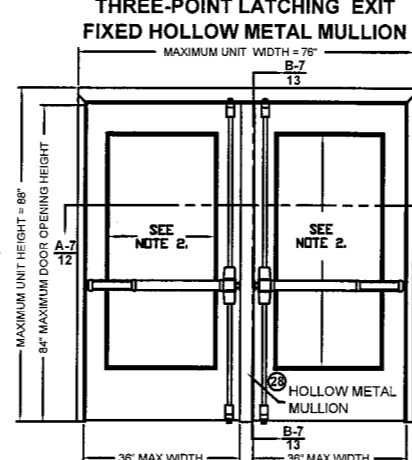
DESIGN PRESSURE RATING, PSF	WHERE WATER INFILTRATION REQUIREMENT IS NEEDED	WHERE WATER INFILTRATION REQUIREMENT IS NOT NEEDED
4	±60 SEE TABLE 3 ON SHT. 5	±60 SEE TABLE 4 ON SHT. 5



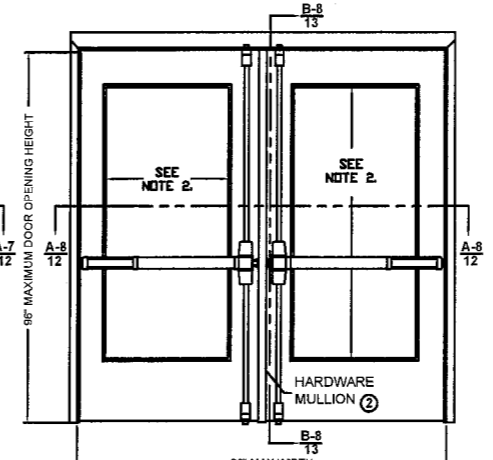
DESIGN PRESSURE RATING, PSF	WHERE WATER INFILTRATION REQUIREMENT IS NEEDED	WHERE WATER INFILTRATION REQUIREMENT IS NOT NEEDED
5	±60 SEE TABLE 3 ON SHT. 5	±60 SEE TABLE 4 ON SHT. 5



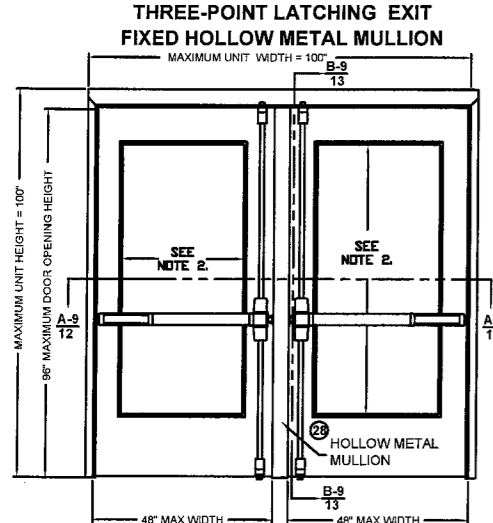
DESIGN PRESSURE RATING, PSF	WHERE WATER INFILTRATION REQUIREMENT IS NEEDED	WHERE WATER INFILTRATION REQUIREMENT IS NOT NEEDED
6	±60 SEE TABLE 3 ON SHT. 5	±60 SEE TABLE 4 ON SHT. 5



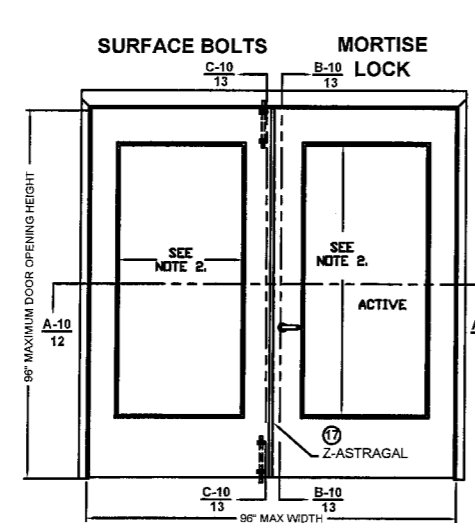
DESIGN PRESSURE RATING, PSF	WHERE WATER INFILTRATION REQUIREMENT IS NEEDED	WHERE WATER INFILTRATION REQUIREMENT IS NOT NEEDED
7	±60 SEE TABLE 3 ON SHT. 5	±60 SEE TABLE 4 ON SHT. 5



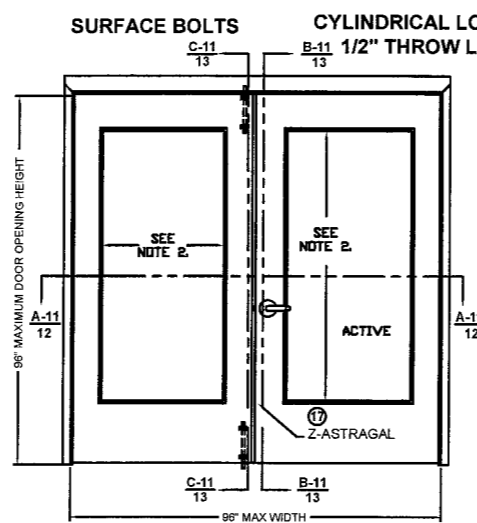
DESIGN PRESSURE RATING, PSF	WHERE WATER INFILTRATION REQUIREMENT IS NEEDED	WHERE WATER INFILTRATION REQUIREMENT IS NOT NEEDED
8	±50 SEE TABLE 3 ON SHT. 5	±50 SEE TABLE 4 ON SHT. 5



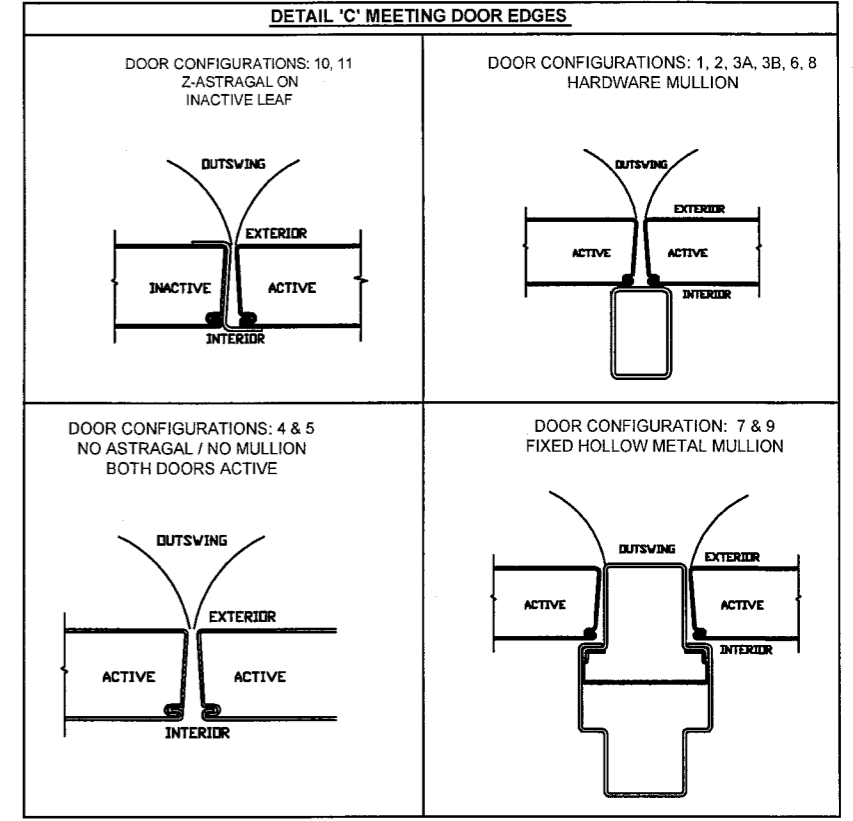
DESIGN PRESSURE RATING, PSF	WHERE WATER INFILTRATION REQUIREMENT IS NEEDED	WHERE WATER INFILTRATION REQUIREMENT IS NOT NEEDED
9	±50 SEE TABLE 3 ON SHT. 5	±50 SEE TABLE 4 ON SHT. 5



DESIGN PRESSURE RATING, PSF	WHERE WATER INFILTRATION REQUIREMENT IS NEEDED	WHERE WATER INFILTRATION REQUIREMENT IS NOT NEEDED
10	±50 SEE TABLE 3 ON SHT. 5	±50 SEE TABLE 4 ON SHT. 5



DESIGN PRESSURE RATING, PSF	WHERE WATER INFILTRATION REQUIREMENT IS NEEDED	WHERE WATER INFILTRATION REQUIREMENT IS NOT NEEDED
11	±50 SEE TABLE 3 ON SHT. 5	±50 SEE TABLE 4 ON SHT. 5



PRODUCT RENEWED
 as complying with the Florida Building Code
 Acceptance No. 10-020908
 Expiration Date MAY 5, 2015
 By *[Signature]*
 Miami Dade Product Control Division

- NOTES:
1. INTERIOR VIEWS ARE SHOWN FOR ALL ELEVATIONS
 2. SEE TABLE 1 ON SHEET 2 FOR HARDWARE APPLICATIONS, LIMITATIONS & MAXIMUM GLASS SIZE
 3. SEE SHEET 3 FOR HINGE REQUIREMENTS
 4. SEE SHEET 4 FOR ANCHORING TYPES AND LIMITATIONS
 5. SEE SHEET 5 FOR WEATHERSTRIPPING INSTALLATION DETAILS AND LIMITATIONS
 6. SEE SHEET 3 FOR MAXIMUM OVERALL DOOR UNIT SIZES

BEND RADIUS				TITLE MIAMI-DADE PRODUCT APPROVAL	
THIRD ANGLE PROJECTION					
DRAWN	DATE	IR GLASS OUTSWING, DOUBLE DOORS AND HARDWARE CONFIGURATIONS.			
YMF	05/20/07				
CHECKED		SIZE	FLAT	DWG NO.	REV
APPROVED				IRGD07	G
ENG. APPVL	11/15/07	SCALE	NTS	AUTOCAD	SHEET 1 of 14

Door Configuration	Maximum Design Pressure, PSF		Maximum Door Opening Size, in.		Maximum Exposed Glazing Size (DLO)*, in.		Locking Hardware Description				Comments
	Positive	Negative	Width	Height	Width	Height	Hardware Family	Model/Series	Strike Models	IR Brand	
1	60	60	72	84	24	64	Rim Exit Device	98/99(F) 88-F (F)DL-18-R	299F/499F 268 F570	Von Duprin Von Duprin Monarch	for pairs use (KR)9954 mullion by Von Duprin
2	50	50	96	96	34.25	74.5	Rim Exit Device	98/99(F) 88-F (F)DL-18-R	299F/499F 268 F570	Von Duprin Von Duprin Monarch	for pairs use (KR)9954 mullion by Von Duprin
3A & 3B	90 SEE NOTE 2.	90 SEE NOTE 2.	96	96	12 4	12 25	Rim Exit Device	XP98/99(F)	909/954	Von Duprin	for pairs use (KR)9954 mullion by Von Duprin
4	60	60	72	84	24	64	Surface Vertical Rod Exit Device	98/9927(F) (F)18-V (F)25-V	299F-499F top, 304L/284L4 Bottom 3788 Top, 2130 Bottom 3788 Top, 2130 Bottom	Von Duprin Monarch Falcon	
5	60	60	72	84	24	64	Concealed Vertical Rod Exit Device	98/9947-F 33/3547A-F F-18-C F-25-C	338 Top, 385A Bottom 338 Top, 385A Bottom 4188 Top, 2130 Bottom 4188 Top, 2130 Bottom	Von Duprin Von Duprin Monarch Falcon	
6	60	60	72	84	24	64	Three-Point Latching Device	98/9957(F)	299F/499F Top/Middle, 304L/248L4 Bottom	Von Duprin	for pairs use (KR)9954 mullion by Von Duprin
7	60	60	36	84	24	64	Three-Point Latching Device	98/9957(F)	299F/499F Top/Middle, 304L/248L4 Bottom	Von Duprin	NOTE 3
8	50	50	96	96	34.25	74.5	Three-Point Latching Device	98/9957(F)	299F/499F Top/Middle, 304L/248L4 Bottom	Von Duprin	
9	50	50	48	96	34.25	74.5	Three-Point Latching Device	98/9957(F)	299F/499F Top/Middle, 304L/248L4 Bottom	Von Duprin	NOTE 3
10	50	50	96	96	34.25	74.5	Mortise Lock	L/LV9000/AD MS L/LV9400/AD MS M 5500	10-072 10-072 ANSI ANSI	Schlage Schlage Falcon Locknetics/ Schlage	Function w/o deadbolt, 3/4" min. throw latch Function with deadbolt, 3/4" min. throw latch & 1" min. throw bolt function with or without deadbolt, 3/4" min. throw latch & 1" min. throw bolt (if applicable) Function with autobolt, 3/4" min. throw latch
11	50	50	96	96	34.25	74.5	Cylindrical Lock	D/ND/AD CYL T 5100	10-025 ANSI ANSI	Schlage Falcon Locknetics	1/2" throw latch 1/2" throw latch 1/2" throw latch

TABLE 1.


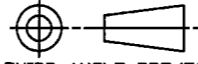
REVISIONS				
LTR	DESCRIPTION	DATE	APPROVED	
A	APPROVAL DWG	YMF 05/20/07		
B	REVISED DWG	RAP 11/26/07		
C	REVISED DWG	RAP 12/14/07		
D	REVISED DWG	YMF 10/22/08		
E	REVISED PER_MDBCCD	YMF 02/05/09		
F	REVISED PER_MFR	YMF 05/18/09		
G	REVISED PER_MDBCCD	YMF 04/09/10		

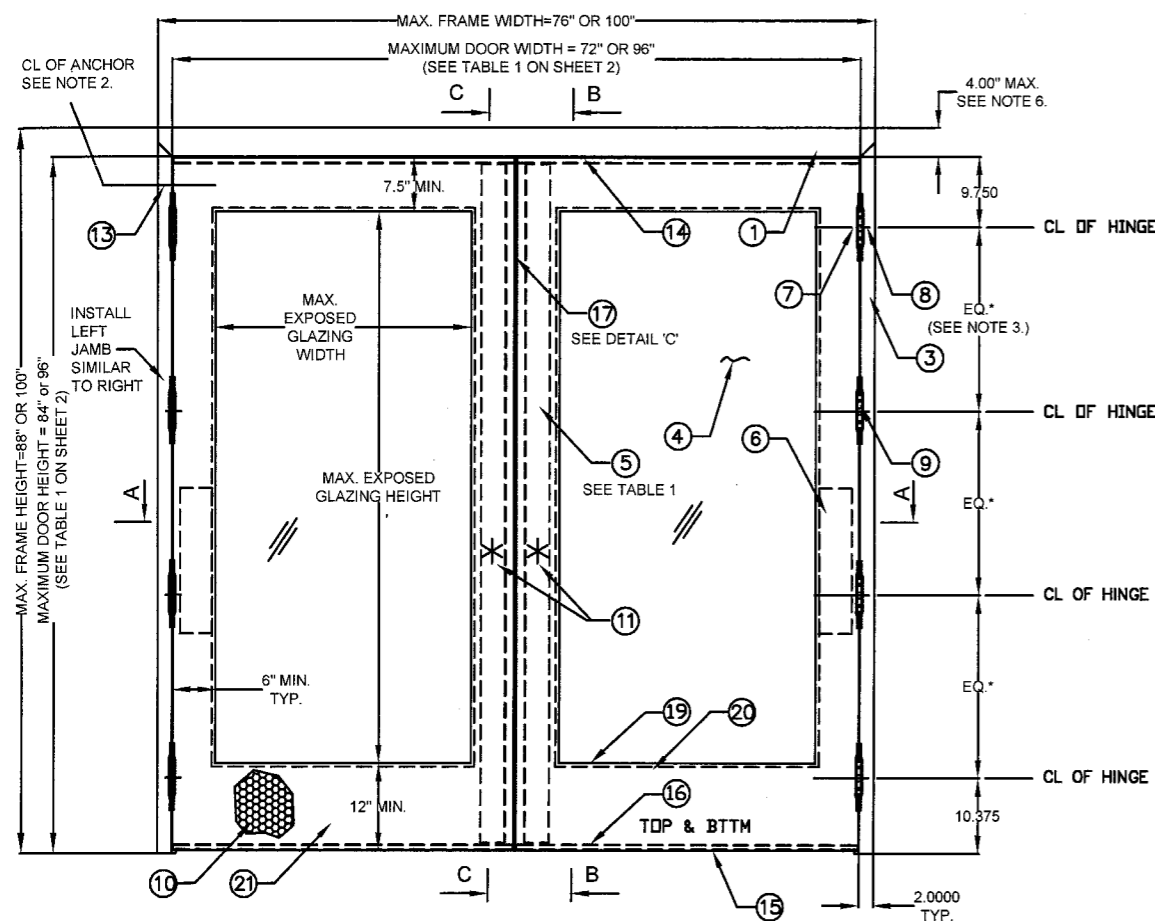
PRODUCT RENEWED
as complying with the Florida
Building Code
Acceptance No. 10-0209.08
Expiration Date MAY 5, 2015
By Ishag I. Chauhan
Miami Dade Product Control
Division

Gordon Thomas 4/14/10
Gordon Thomas, P.E. Date
3759 Blossom Court
Mason, OH 45040
Florida # 46718

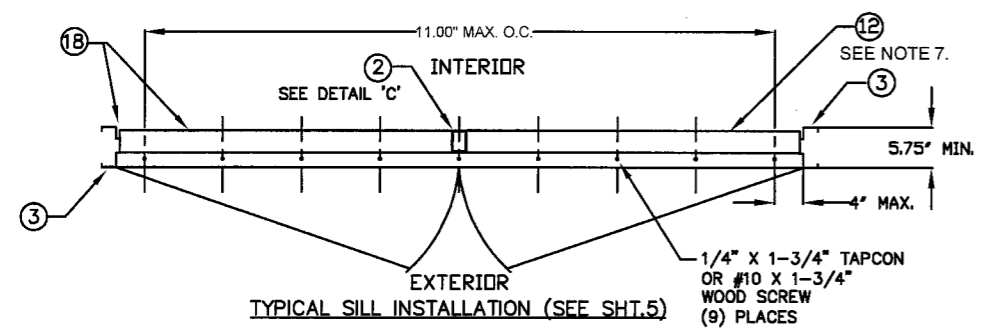
NOTES:

- SEE SHEETS 9, 10 &, 11 FOR LOCKING HARDWARE. FOR DOOR CONFIGURATIONS 10 & 11 INACTIVE LEAF REQUIRES IVES SB360 SURFACE BOLT TOP AND BOTTOM.
- DOOR CONFIGURATIONS 3A & 3B ARE RATED FOR MAXIMUM DESIGN PRESSURE UP TO +75 PSF WHEN WATER INFILTRATION REQUIREMENT IS NEEDED, AND ±90 PSF WHEN WATER INFILTRATION REQUIREMENT IS NOT NEEDED.
- DOOR CONFIGURATIONS 7 & 9 ARE FOR USE ON TWO DOORS WITH FIXED HOLLOW METAL MULLION.
- * DLO - DAYLIGHT OPENING, SAME AS EXPOSED GLASS OR FINISHED OPENING.

BEND RADIUS		 Ingersoll Rand Security Technologies		
 THIRD ANGLE PROJECTION				
DRAWN	DATE	GLASS OUTSWING DOORS AND HARDWARE CONFIGURATIONS IR COMMERCIAL DOOR OPENING DOUBLE GLASS DOORS.		
YMF	05/20/07			
CHECKED		SIZE	FLAT	DWG NO.
APPROVED				IRGD07
ENG. APPVL	DATE	SCALE		SHEET
JPD	11/15/07	NTS	AUTOCAD	2 of 14



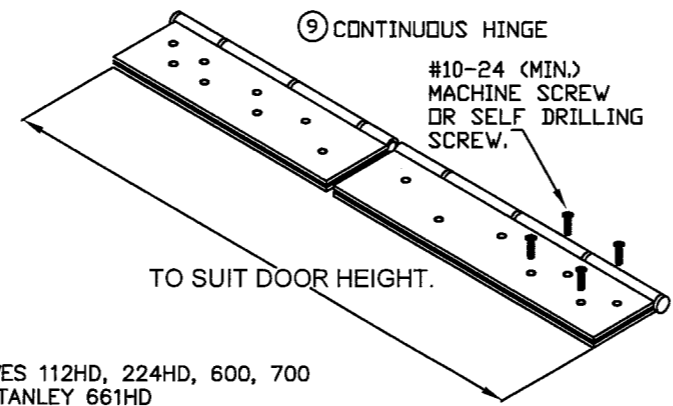
OUTSWING DOOR (EXTERIOR VIEW)
ALL DIMENSIONS TYPICAL, UNLESS SPECIFIED OTHERWISE



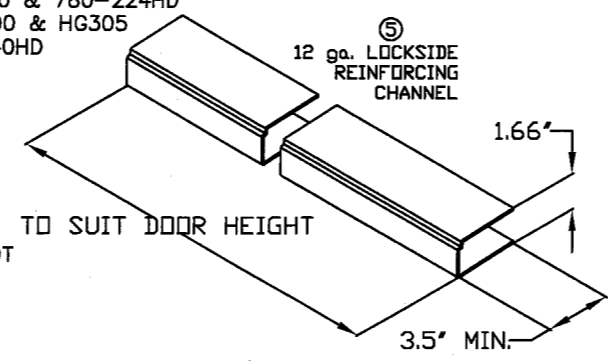
TYPICAL SILL INSTALLATION (SEE SHT.5)

- NOTES:
- ONE ROW OF PS074 WEATHERSTRIPPING PER JAMB AND HEAD. INSTALL PER SHT. 5.
 - ANCHOR REQUIREMENTS: SEE SHEET 4 FOR APPROVED ANCHORS AND INSTALLATION
 - HINGE REQUIREMENTS: 4.5" STD WT. MIN.
FOR DOOR OPENING UP TO 90" HIGH - MIN (3) HINGES
FOR DOOR OPENING OVER 90" - 96" HIGH - MIN (4) HINGES
STD LOCATIONS: 9.75" FROM RABBIT IN HEAD TO CL OF TOP HINGE
10.38" FROM FLOOR TO CL OF BOTTOM HINGE, EQUALLY SPACED IN BETWEEN. HINGE LOCATIONS MAY VARY, MAX SPACING DO NOT EXCEED 35.5" APPROVED CONTINUOUS HINGE MODELS: IVES 112 HD, 224HD, 600, 700, MARKAR FM-300, HG-305, STANLEY 661HD, HAGER 780-224HD, 790-900, SELECT SL11HD, ABH A500, A240HD.
 - SEE SHEET 2 TABLE 1 FOR AVAILABLE STANDARD OPENING SIZES AND SPECIFICATIONS.
 - HARDWARE INSTALLATION AS PER MANUFACTURER'S INSTRUCTIONS.
 - 4" FACE HEAD IS AVAILABLE FOR FRAMES.
 - APPLY CAULK AS NEEDED.
 - WEATERSTRIPPING SEE SHT #5.
 - SEE SHEET 13 FOR SECTION A-A, SEE SHEET 14 FOR SECTIONS B-B AND C-C.
 - INSTALL REINFORCEMENT CHANNELS AROUND EACH LITE-CUTOUT.
 - ELECTRICAL INSTALLATION IS UNDER SEPARATE APPROVAL AND MUST BE REVIEWED BY CORRESPONDING AUTHORITY.
 - OPTIONAL POWER TRANSFERS, AND/OR "SIGNAL SWITCH" MAY BE USED AS ALLOWED BY CODE AND IT DOES NOT EFFECT THE MECHANICAL PROPERTIES OF EXIT DEVICE AND/OR INHIBIT EGRESS.
 - SILL SHALL BE ANCHORED PER INSTALLATION DETAIL ON THIS SHEET.
 - ITEMS 22 THROUGH 26 REQUIRED ONLY IF WATER INFILTRATION IS NEEDED.
 - QUANTITY WILL INCREASE WHEN USED WITH HOLLOW METAL MULLION. SEE SHT 6 FOR DETAILS.

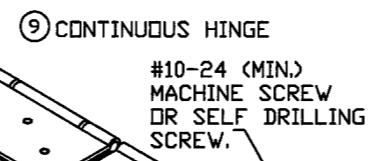
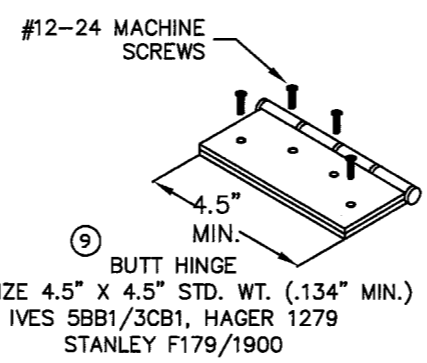
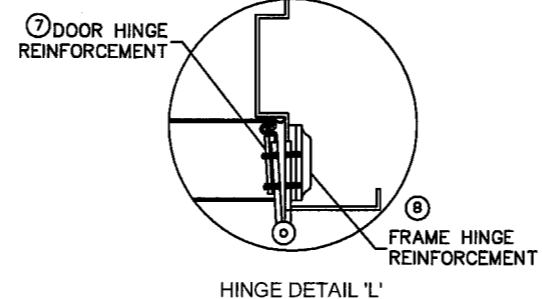
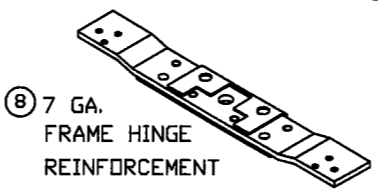
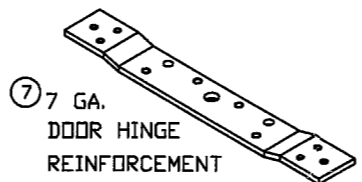
IVES 112HD, 224HD, 600, 700
STANLEY 661HD
SELECT SL11HD
HAGER 790-900 & 780-224HD
MARKAR FM-300 & HG305
ABH A500, A240HD



TO SUIT DOOR HEIGHT.



TO SUIT DOOR HEIGHT



Gordon Thomas, P.E.
3759 Blossom Court
Mason, OH 45040
Florida # 48718

PRODUCT RENEWED
as complying with the Florida
Building Code
Acceptance No 10-0209-08
Expiration Date MAY 5, 2015
By Shag L. Lundy
Miami Dade Product Control
Division

REVISIONS				
LTR	DESCRIPTION	DATE	APPROVED	
A	APPROVAL DWG.	YMF	05/20/07	
B	REVISED DWG.	RAP	11/26/07	
C	REVISED DWG.	RAP	12/14/07	
D	REVISED DWG.	YMF	12/14/08	
E	REVISED PER_MDBCCD	YMF	02/05/09	
F	REVISED PER_MDBCCD	YMF	02/01/10	
G	REVISED PER_MDBCCD	YMF	04/08/10	

TABLE 2

ITEM	QUANTITY	DESCRIPTION	MATERIAL	SIZE	
1	1	HEAD SEE SHT 6 ASTM A366	.053" MIN. STL	MAX. 100"	SEE ELEVATION
2	1	VON DUPRIN (KR) 9954 HDWE MULLION USED W/RIM HDWE	.123" A500 STL	MAX. 96" HEIGHT	
3	2	HINGE JAMB SEE SHT 6 ASTM A366	.053" MIN. STL	MAX. 100" HEIGHT	
4	2	LEXAN 9034 BY GE. LAMINATED GLASS WITH SENTRYGLAS PLUS (DuPont) SUPERLITE II-XL BY SAFTI WITH SENTRYGLAS PLUS (DuPont)	.25" MIN. .562" MIN. 1.0" MIN.	35.406' X 75.656' MAX.	
5	2	LOCK SIDE REINFORCEMENT CHANNEL	.093" MIN. STL	3.5 X 93.44 MAX (SEE ELEV.)	
6	2	HINGE SIDE PANIC REINFORCEMENT	.067" MIN. STL	MAX. 20"	
7	NOTE 3.	HINGE REINFORCEMENT DOOR ASTM A621	.167" MIN. STL.	1.28' X 9.19'	
8	NOTE 3.	HINGE REINFORCEMENT FRAME ASTM A621	.167" MIN. STL.	1.3' X 9.187' MAX.	
9	NOTE 3.	4.5' X 4.5' BUTT HINGES (SEE THIS SHT.) OPTIONAL CONTINUOUS HINGE (SEE THIS SHT.)	.134 MIN. .067" MIN. STL./12 ALUM	(B) #12-24 MS PER HINGE MAX. 95'	
10	2	CORE MATERIAL (SHEET 4): A) HONEYCOMB B) STEEL STIFFENED C & F) POLYSTYRENE D) POLYURETHANE/POLYISOCYANURATE E) MINERAL BOARD TEMPERATURE RISE CORE			
11	2	LOCKING HARDWARE - SEE SHEET 2 TABLE 1.			
12	1	THRESHOLD SILL W/BUMPER GASKET (SEE TABLES 3&4, SHT.5) 1) ZERO 566A 2) NAT'L GUARD 950A	.100" ALUM. 6063 T5	5.50"X0.5"X96"MAX.-DOUBLE	
13	NOTE 2.	JAMB ANCHOR ASTM A924	SEE SHEET 6		
14	NOTE 14.	PS074 WEATHER STRIPPING	TPE	MAX. 24'	
15	2	FAS-SEAL DOOR SWEEP	TPE	MAX. 48'	
16	4	END CHANNEL ASTM A924 (14 GA - INVERTED)		.69' X 1.66' X 48' MAX.	
17	1	SPLIT ASTRAGAL SET OR Z-ASTRAGAL (NOT REQUIRED WITH HOLLOW METAL MULLION)	SEE SHEET 5		
18	AS NEEDED	BUTYL RUBBER OR 100% SILICONE			
19	2	GLAZING HOLDING TRIM #1) DEZIGNER TRIM #2) STEEL OVERLAPPING TRIM UP TO 3/4' GLASS #3) STEEL OVERLAPPING TRIM FOR 5/8" GLASS AND THICKER #4) HIGH SECURITY VISION FRAME SG-10 BY ANEMOSTAT VLF-S10 BY AIR LOUVERS	.035" MIN. STL .093" MIN. STL. .123" MIN. STL.	34.25' X 74.5' EXPOSED GLASS MAX.	
20	NOTE 10.	CUTOUT REINFORCEMENT CHANNEL (18 GA)	.047" MIN. STL	0.5' X 1.66' X 75.5' MAX.	
21	2	DOOR SLAB (16 OR 14 GA)	SEE SHEET 6	4' X 8' MAX.	
22	1	BY ZERO INT'L DOOR SEAL No.8144FS BY STEELCRAFT DOOR SEAL PS074	TPE	MAX. 24'	SEE NOTE 13
23	2	BY ZERO INT'L DOOR SWEEP No.539 BY NGP DOOR SWEEP No.202N	TPE	MAX. 96'	
24	2	BY ZERO INT'L DOOR SWEEP No.139 BY NGP OMIT	SEE SHEET 5	MAX. 48'	
25	2	BY ZERO INT'L ADJUSTABLE STOP No.475 BY NGP ADJUSTABLE STOP No.170N	TPE	MAX. 48'	
26	2	BY ZERO INT'L RAIN DRIP No.11 BY NGP DRIP CAP No.16A	SEE SHEET 5	MAX. 48'	
27	2	TOP CAP GALV. A60 ASTM A924	.020" MIN. STL	0.5' X 1.76' X 48' MAX.	
28	1	HOLLOW METAL MULLION	SEE SHEET 6.	96' MAX.	
29	1	IVES 360 12" SURFACE BOLT			

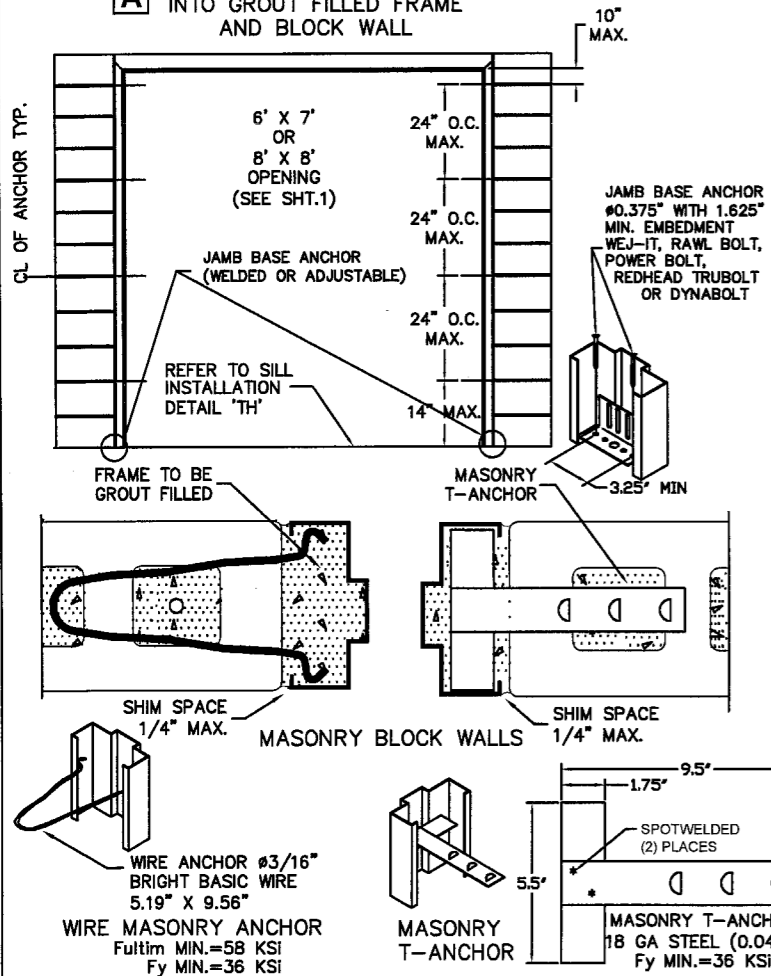
BEND RADIUS		<h1>Ingersoll Rand</h1> <p>Security Technologies</p>	
THIRD ANGLE PROJECTION			
DRAWN YMF	DATE 05/20/07	TITLE MIAMI-DADE PRODUCT APPROVAL	
CHECKED		H-SERIES GLASS DOUBLE DOORS OUTSWING CONFIGURATIONS IR HARDWARE	
APPROVED		SIZE FLAT	DWG NO. IRGD07
ENG. APPVL JPD	11/15/07	SCALE NTS	REV G
		AUTOCAD	SHEET 3 of 14

REVISIONS

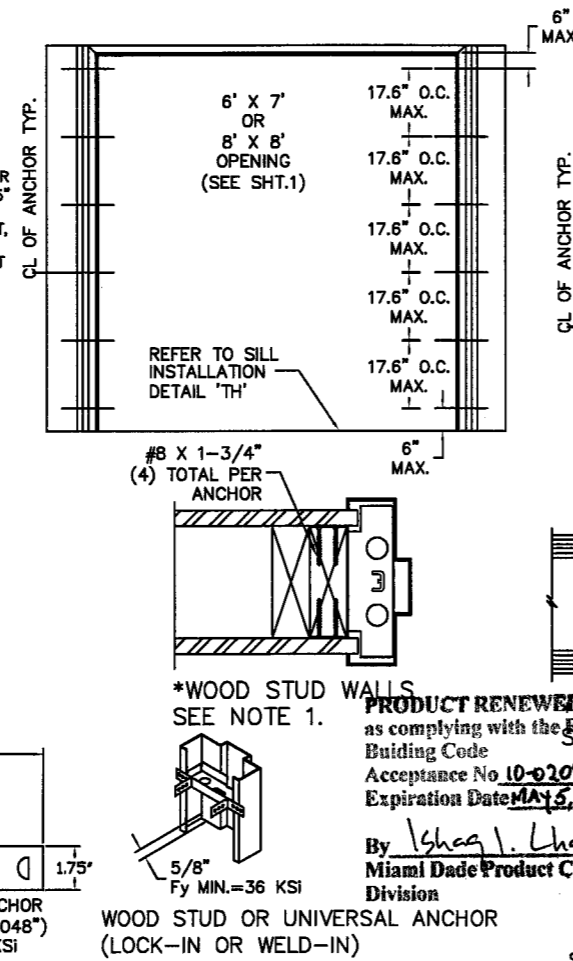
LTR	DESCRIPTION	DATE	APPROVED
A	APPROVAL DWG	YMF 05/20/07	
B	REVISED DWG	RAP 10/12/07	
C	REVISED DWG	RAP 12/03/07	
D	REVISED DWG	YMF 12/15/08	
E	REVISED PER_MDBCCD	YMF 02/05/09	
F	REVISED PER_MDBCCD	YMF 01/04/10	
G	REVISED PER_MDBCCD	YMF 04/08/10	

YMF 4/14/10
 Gordon Thomas, P.E. Date
 3759 Blossom Court
 Mason, OH 45040
 Florida # 46718

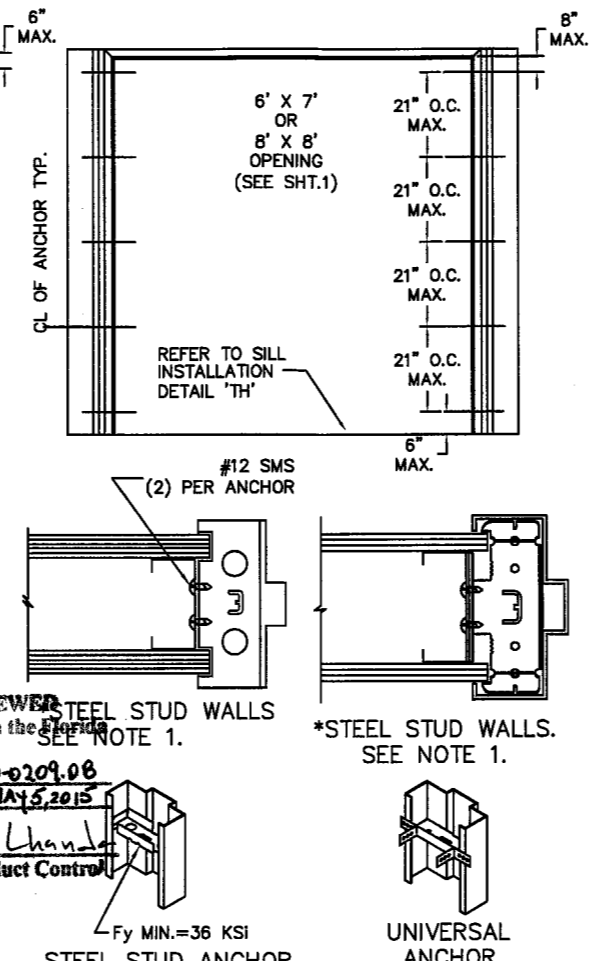
A WIRE MASONRY ANCHOR INTO GROUT FILLED FRAME AND BLOCK WALL



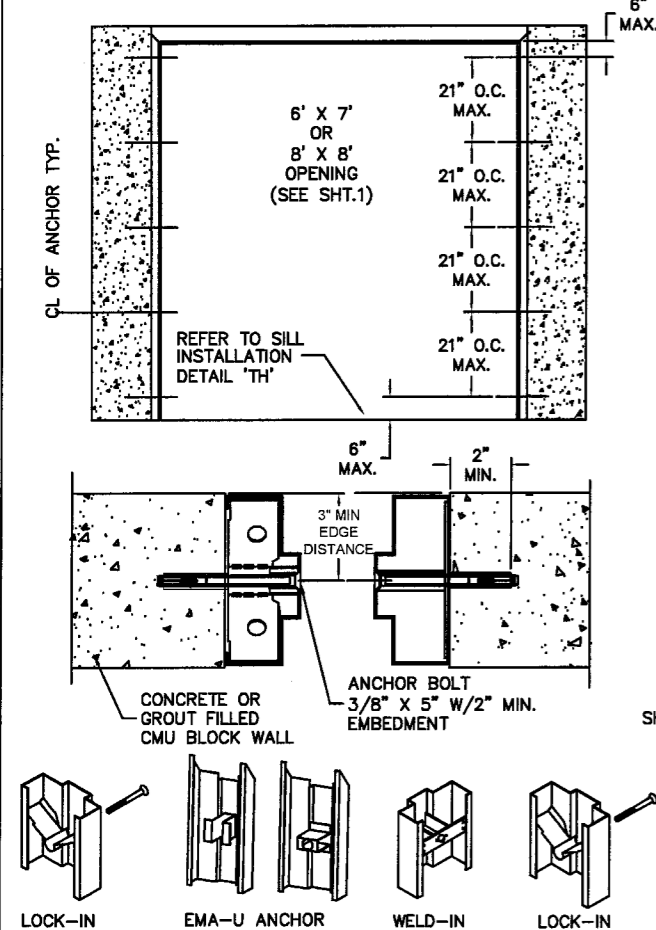
B WOOD STUD ANCHOR



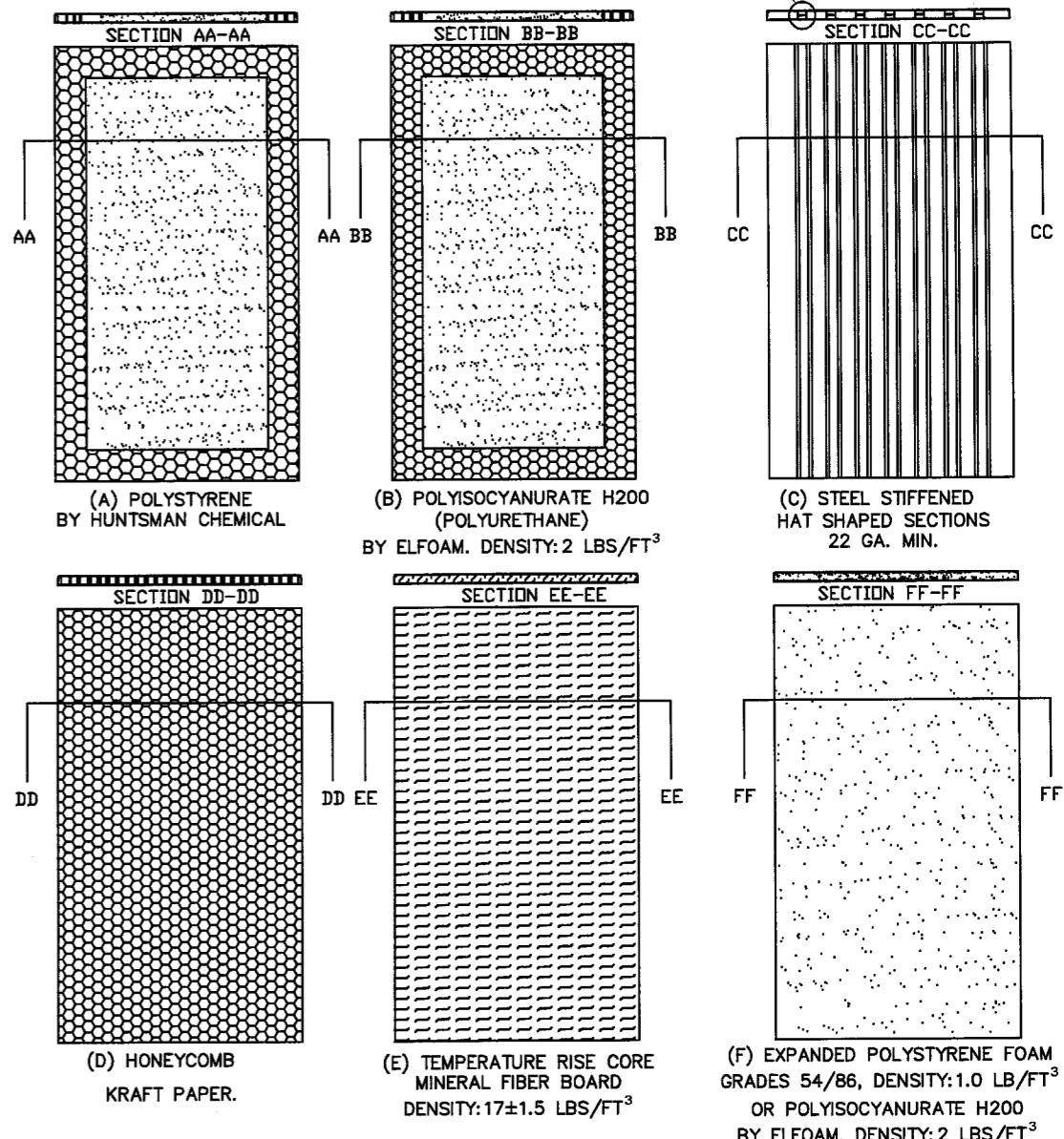
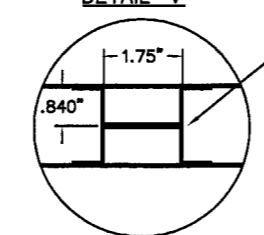
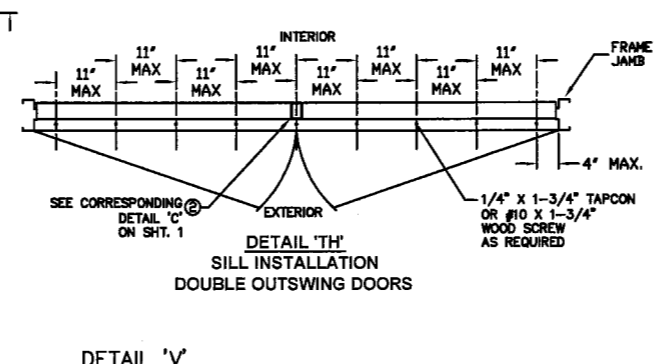
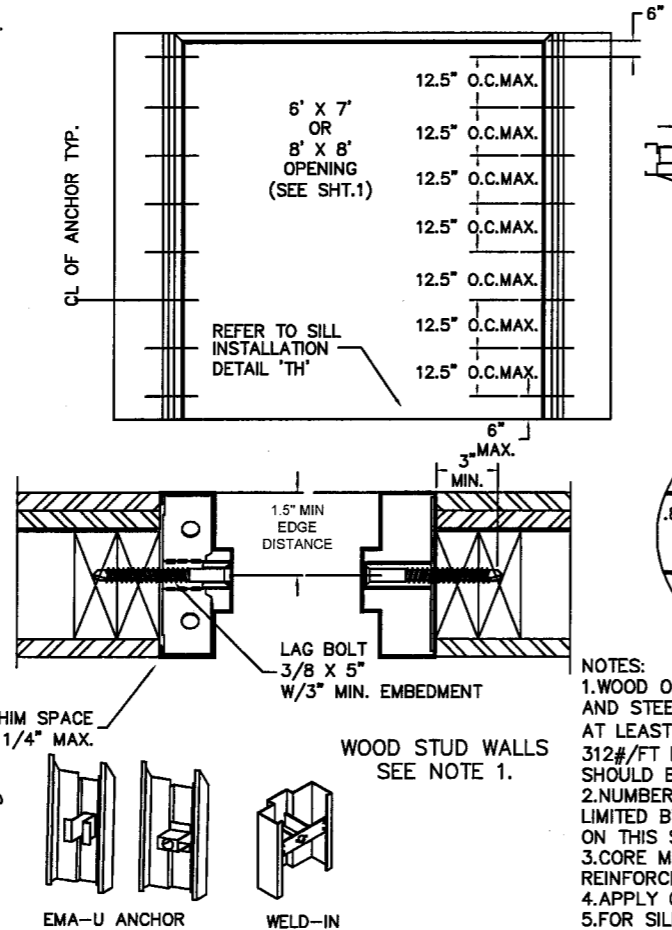
C STEEL STUD ANCHOR



D EXISTING MASONRY ANCHOR (EMA) INTO CONCRETE WALL OR CMU



E EXISTING MASONRY ANCHOR (EMA) WITH LAG BOLT INTO WOOD STUD WALL



PRODUCT RENEWED as complying with the Florida Building Code Acceptance No. 10-0209.08 Expiration Date MAY 5, 2015

By *Ishaq I. Khan* Miami Dade Product Control Division

- NOTES:
- WOOD OR STEEL STRUCTURAL MEMBERS OF WOOD AND STEEL-STUD WALLS MUST BE DESIGNED TO CARRY AT LEAST 210 #/FT. LOAD FOR ASSEMBLIES RATED AT 50 PSF, 312#/FT FOR 75 PSF, AND 375 #/FT FOR 90 PSF., WHICH SHOULD BE VERIFIED BY THE APPROPRIATE OFFICIAL.
 - NUMBER OF ANCHORS FOR VARIOUS OPENING HEIGHTS IS LIMITED BY MAXIMUM DISTANCE BETWEEN ANCHORS, SHOWN ON THIS SHEET.
 - CORE MATERIAL SHOWN WITHOUT DOOR CUTOUTS AND REINFORCEMENTS.
 - APPLY CAULK AS NEEDED.
 - FOR SILL INSTALLATION AND ANCHORING SEE SHT 3 & 4.

BEND RADIUS		Ingersoll Rand Security Technologies	
THIRD ANGLE PROJECTION			
DRAWN	DATE	TITLE MIAMI-DADE PRODUCT APPROVAL	
YMF	05/20/07	ANCHOR DETAILS / INSTALLATION CONDITIONS CORE OPTIONS	
CHECKED		SIZE	FLAT
APPROVED		DWG. NO.	IRGD07
ENG. APPVL	10/12/07	SCALE	NTS
JPD		AUTOCAD	
		SHEET	4 OF 14

TABLE 3.

PERIMETER SEAL HARDWARE WHEN WATER INFILTRATION REQUIREMENT DOES APPLY					
ITEM NUMBER SHT. 3. TABLE 2	DESCRIPTION	ALLOWABLE DESIGN PRESSURE, PSF	MODEL No./ MANUFACTURER	PART DETAIL	INSTALLATION DETAIL
11	THRESHOLD	+75	566/ZERO INT'L	'T1'	'P1'
			950/NGP	'T2'	'P2'
14	FAS-SEAL SWEEP	+75	STEELCRAFT	'S'	'P1' & 'P2'
16	SPLIT ASTRAGAL	+75	328/ZERO INT'L	'GG1'	'N3'
			137/NGP	'GG2'	
19 OR 13	SELF ADHESIVE DOOR SEAL	+75	8144F/ZERO INT'L	'U'	'M' & 'N'
			PS074/STEELCRAFT	'Q'	
20	DOOR SWEEP	+75	539/ZERO INT'L	'W1'	'N'
			202N/NGP	'W2'	
21	DOOR SWEEP	+75	139/ZERO INT'L	'X'	'P1'
22	ADJUSTABLE STOP	+75	475/ZERO INT'L	'Y1'	'M'
			170N/NGP	'Y2'	
23	RAIN DRIP CAP	+75	11/ZERO INT'L	'Z1'	'P1'
			16A/NGP	'Z2'	
24	DOOR TOP CAP	+75	STEELCRAFT	'R'	'M'

TABLE 4.

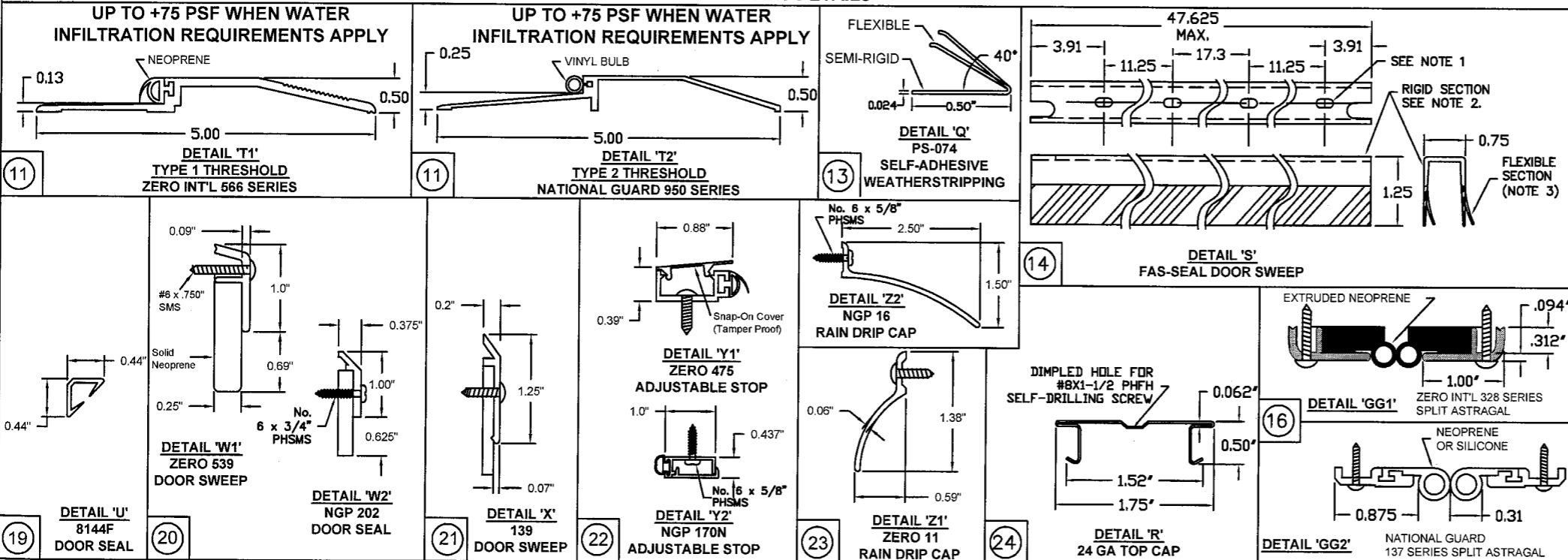
PERIMETER SEAL HARDWARE WHEN WATER INFILTRATION REQUIREMENT DOES NOT APPLY					
ITEM NUMBER SHT. 3 TABLE 2	DESCRIPTION	MODEL No. MANUFACTURER	PART DETAIL	INSTALLATION DETAIL	
11	THRESHOLD	566 BY ZERO INT'L	'T1'	'K'	
		950 BY NATIONAL GUARD	'T2'		
14	FAS-SEAL DOOR SWEEP	STEELCRAFT	'S'	'K'	
16	SPLIT ASTRAGAL	328 BY ZERO	'GG1'	'N3'	
		137 BY NGP	'GG2'		
13	PS-074 SELF ADHESIVE WEATHERSTRIPPING	STEELCRAFT	'Q'	'J' & 'L'	
24	DOOR TOP CAP	STEELCRAFT	'R'	OPTIONAL	

Handwritten Signature
 Gordon Thomas, P.E. Date
 3759 Blossom Court
 Mason, OH 45040
 Florida # 46718

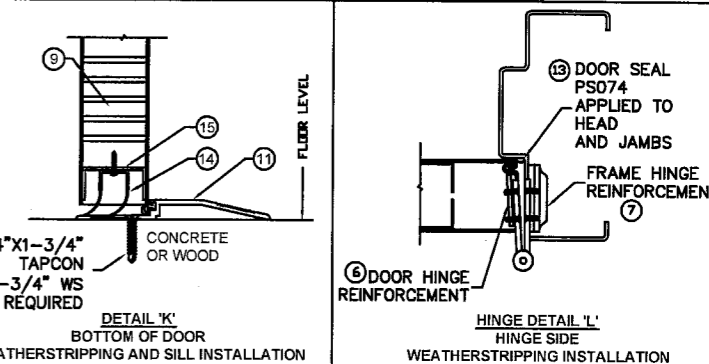
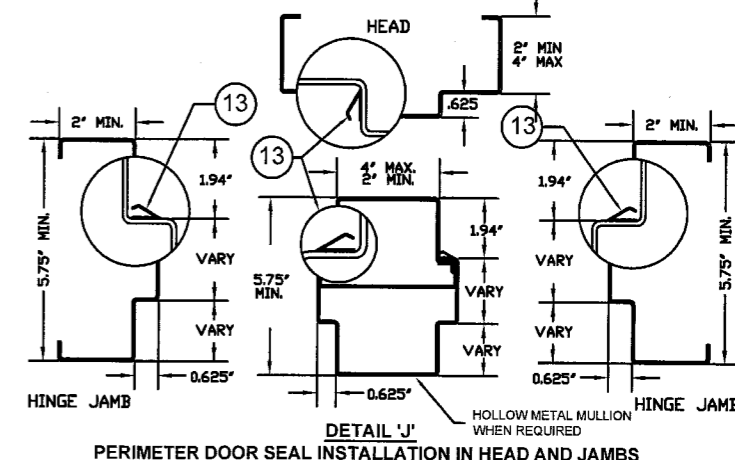
REVISIONS

LTR	DESCRIPTION	DATE	APPROVED
A	APPROVAL DWG	YMF 05/20/07	
B	REVISED DWG	RAP 11/26/07	
C	REVISED DWG	RAP 12/14/07	
D	REVISED DWG	YMF 10/09/08	
E	REVISED PER_MDBCCD	YMF 02/05/09	
F	REVISED PER_MDBCCD	YMF 01/04/10	
G	REVISED PER_MDBCCD	YMF 04/08/10	

PART DETAILS

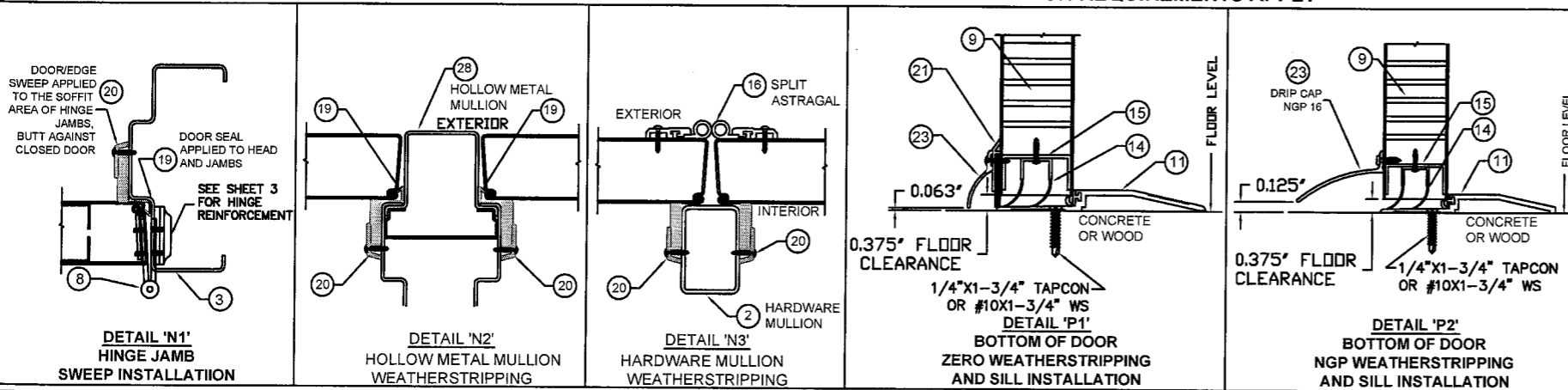


PERIMETER SEAL INSTALLATION DETAILS WHEN WATER INFILTRATION REQUIREMENTS DO NOT APPLY



PRODUCT RENEWED as complying with the Florida Building Code Acceptance No. 10-2208-08 Expiration Date MAY 6, 2015
 By Ishag I. Hand Miami Dade Product Control Division

PERIMETER SEAL INSTALLATION DETAILS WHEN WATER INFILTRATION REQUIREMENTS APPLY



DETAIL 'M' TOP OF DOOR/HEAD WEATHERSTRIPPING WHEN WATER INFILTRATION REQUIREMENTS APPLY

BEND RADIUS

THIRD ANGLE PROJECTION

DRAWN YMF DATE 05/20/07

CHECKED

APPROVED

ENG. APPVL JPD 10/11/07

IR Ingersoll Rand Security Technologies

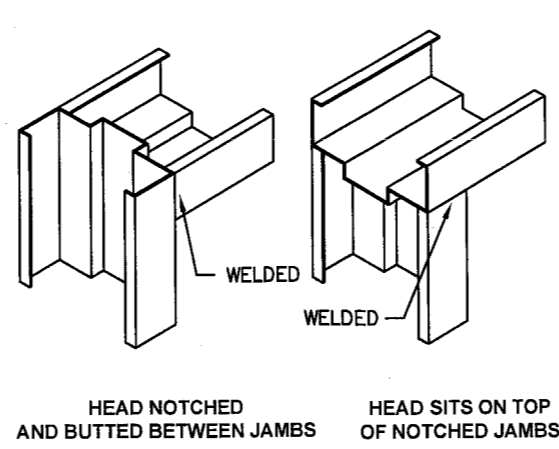
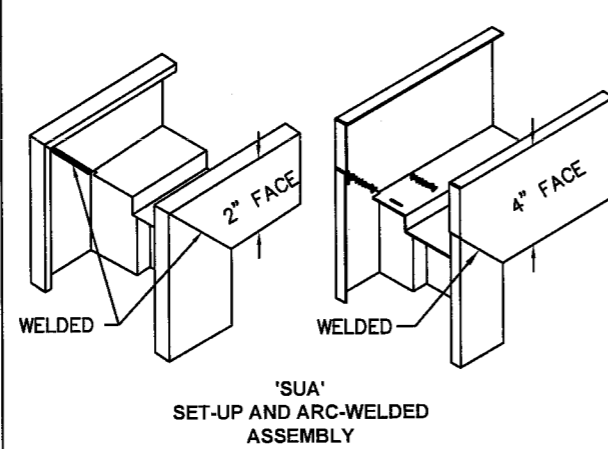
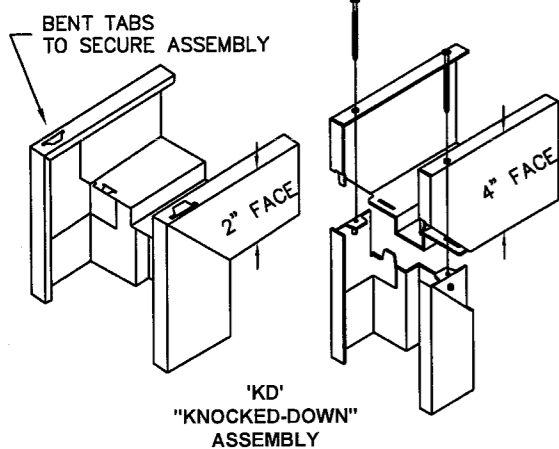
TITLE MIAMI-DADE PRODUCT APPROVAL

DOUBLE GLASS DOOR PERIMETER SEAL HARDWARE.

SIZE FLAT DWG NO. IRGD07 REV G

SCALE: NTS AUTOCAD SHEET 5 of 14

NOTES:
 1. SLOT LOCATIONS MAY VARY WITH DIFFERENT DOOR WIDTH.
 2. DOOR SWEEP RIGID SECTION IS MADE OF PRO-FAX #PD-199 POLYPROPYLENE HOMOPOLYMER.
 3. DOOR SWEEP FLEXIBLE SECTION IS MADE OF SANTOPRENE #101-73
 4. FAS-SEAL DOOR SWEEP (14), AND THRESHOLD (11) ARE REQUIRED FOR ALL INSTALLATIONS.



(Signature) 4/14/10
 Date
 Gordon Thomas, P.E.
 3759 Blossom Court
 Mason, OH 45040
 Florida # 48718

REVISIONS				
LTR	DESCRIPTION	DATE	APPROVED	
A	APPROVAL DWG	YMF 05/20/07		
B	REVISED DWG	RAP 11/26/07		
C	REVISED DWG	RAP 12/14/07		
D	REVISED DWG	YMF 12/14/08		
E	REVISED PER_MDBCCO	YMF 02/05/09		
F	REVISED PER_MDBCCO	YMF 01/04/10		
G	REVISED PER_MDBCCO	YMF 04/08/10		

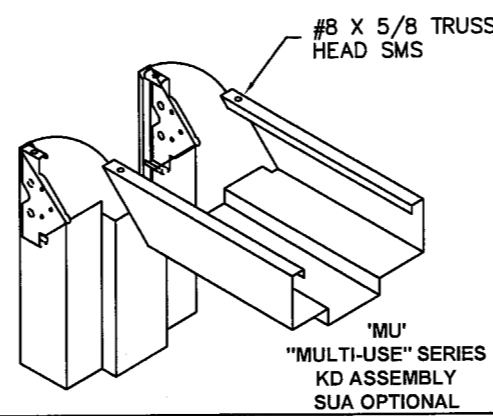
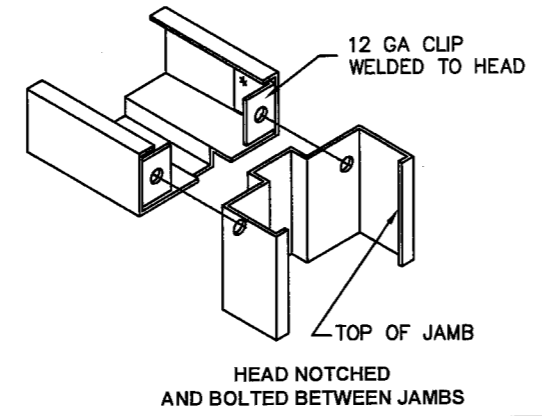
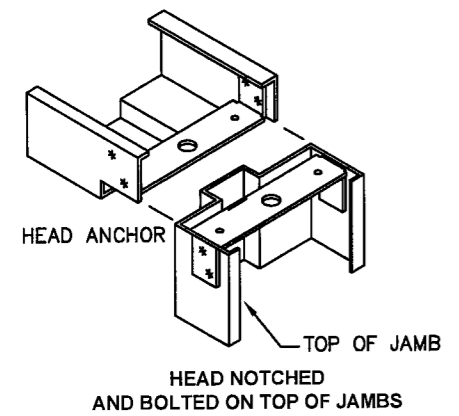


TABLE 7. STEEL MECHANICAL PROPERTIES

MATERIAL	ASTM REF.	YIELD, KSI	TENSILE, KSI
CRS	A1008	MIN. 26.5	MIN. 46
HRS	A1011		
GALV: A60	A924	MIN. 31.2	MIN. 73.2
SS: 304,306	A240		

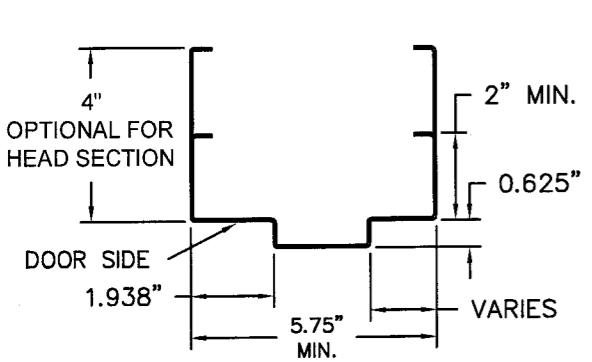
TABLE 6. AVAILABLE FRAME CONFIGURATIONS

FRAME SERIES	JAMB DEPTH	MAX. OPENING SIZE		MATERIAL	
		WIDTH	HEIGHT	DESCR.	GA./MIN. THK
F	5.75" MIN.	8'0"	8'0"	CRS/HRS GALV	16/.053" 14/.067" 12/.099"
				STAINLESS STEEL	16/.053"
MU	5.75" MIN.	8'0"	8'0"	CRS/HRS GALV	16/.053" 14/.067"

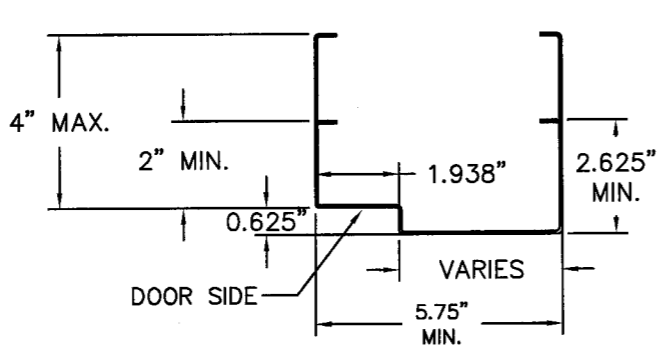
TABLE 5. AVAILABLE DOOR CONFIGURATIONS

CORE MATERIAL PER SHT.4	MAXIMUM OPENING SIZE		SKIN MATERIAL	
	WIDTH	HEIGHT	DESCR.	GA./MIN. THK
HONEYCOMB POLYSTYRENE POLYURETHANE (POLYISOCYANURATE) TEMPERATURE RISE STEEL STIFFENED	VARIES SEE SHEET 2 TABLE 1		CRS GALV	16/.053" 14/.067"
HONEYCOMB POLYSTYRENE POLYURETHANE	VARIES SEE SHEET 2 TABLE 1		STAINLESS STEEL	16/.053"

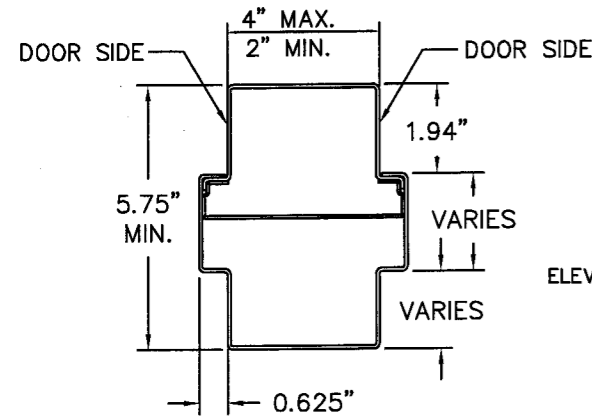
TYPICAL FRAME PROFILE DOUBLE RABBET



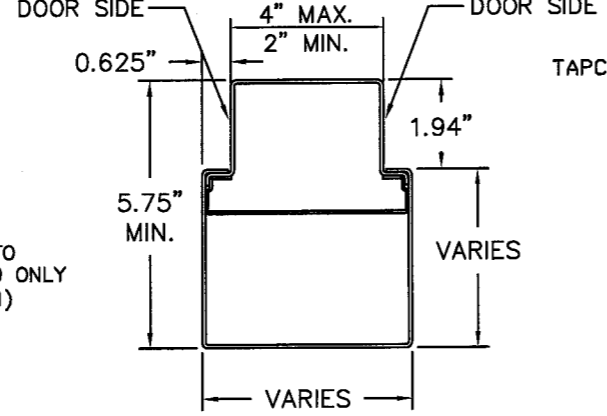
OPTIONAL FRAME PROFILE SINGLE RABBET



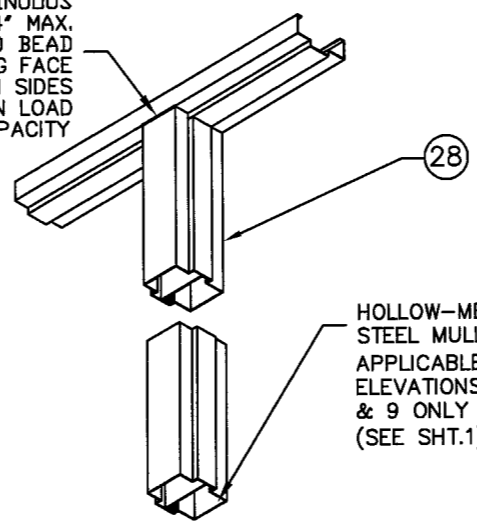
HOLLOW METAL MULLION DOUBLE RABBET



HOLLOW METAL MULLION SINGLE RABBET



WELD AT JOINT CONTINUOUS 2" MIN. 4" MAX. MIG-WELD BEAD ALONG FACE BOTH SIDES 980# MIN LOAD CAPACITY



HOLLOW-METAL STEEL MULLION APPLICABLE TO ELEVATIONS 7 & 9 ONLY (SEE SHT.1)

NOTES:

- DOOR CONSTRUCTION
 - MINIMUM DOOR THICKNESS - 1 3/4"
 - DOOR SIZE MAY VARY, SUBJECT TO COMPLIANCE WITH FLORIDA BUILDING CODE AND PRODUCT AVAILABILITY FROM MANUFACTURER (SEE SHEET 2 FOR AVAILABLE HARDWARE)
- FRAME CONSTRUCTION
 - MINIMUM JAMB DEPTH - 5 3/4", STOP HEIGHT - 5/8"
 - FRAMES AVAILABLE AS FLUSH (F-SERIES) AND MULT-USE (MU-SERIES) (SEE TABLE. 6)
- FOR MATERIAL SPECIFICATIONS REFERENCE SEE TABLE 7.

APPLICABLE TO ELEVATIONS 7 & 9 ONLY (SEE SHEET 1)

(2) 1/4" X 1-3/4" TAPCON BY ITW BUILDDEX OR ELCO TEXTRON INTO 4000 PSI CONCRETE MIN. EMBEDMENT 1-1/4"

PRODUCT RENEWED as complying with the Florida Building Code
 Acceptance No. 10-0209-08
 Expiration Date MAY 5, 2015
 By *(Signature)*
 Miami Dade Product Control Division

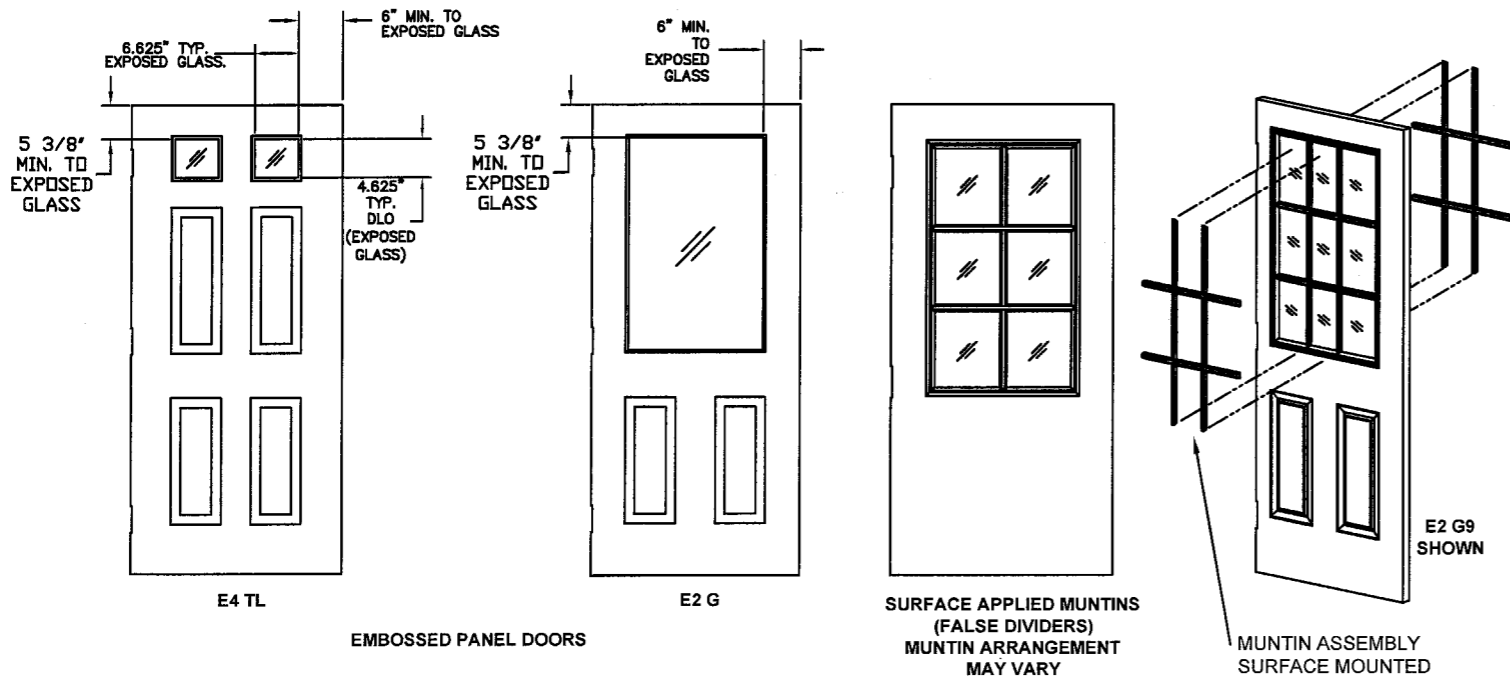
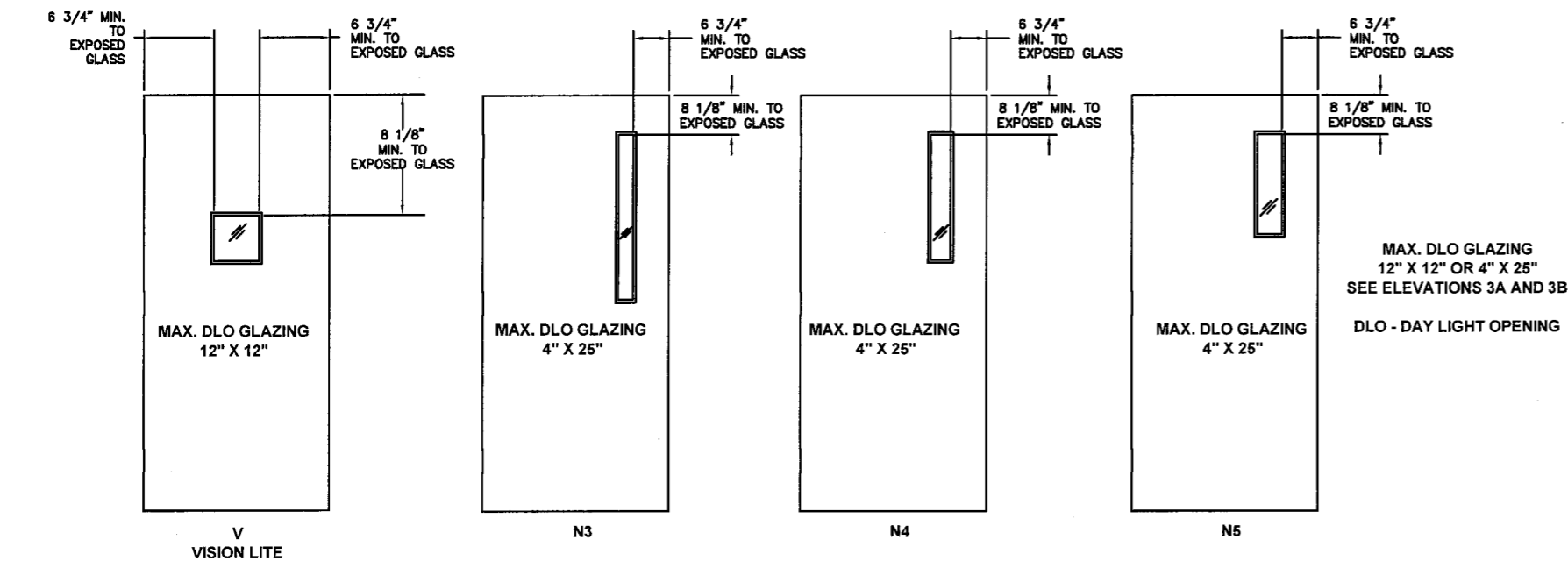
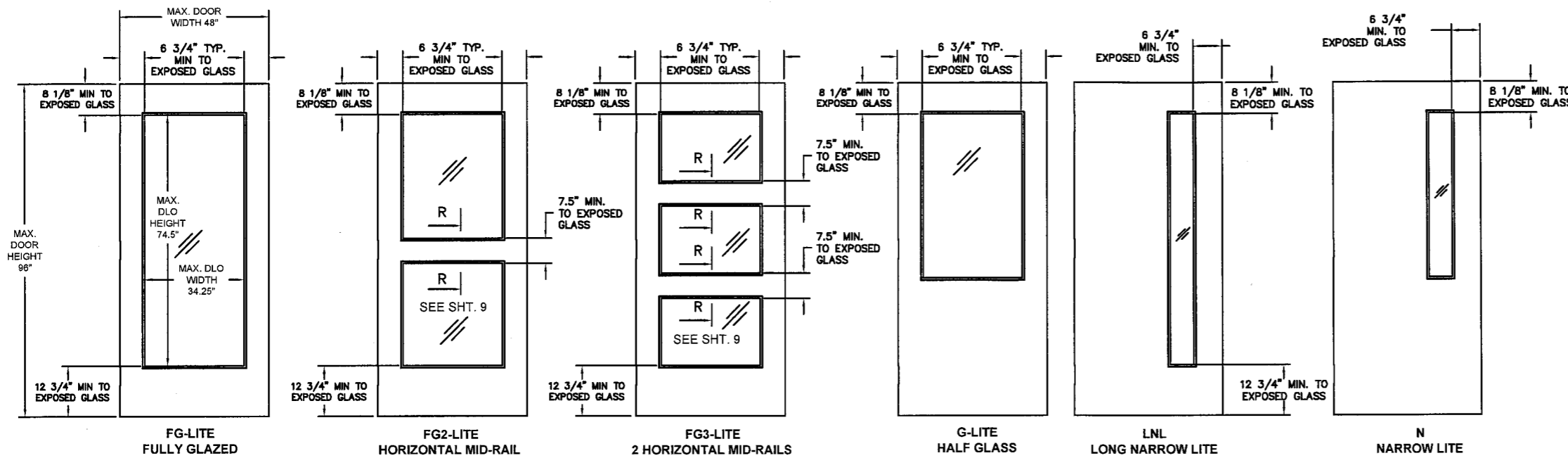
BEND RADIUS				Ingersoll Rand Security Technologies	
THIRD ANGLE PROJECTION					
DRAWN	DATE	TITLE MIAMI-DADE PRODUCT APPROVAL			
YMF	05/20/07	FRAME PROFILE, CORNER DETAILS AND DOOR FRAME MATERIAL, AND SIZE OPTIONS			
CHECKED		SIZE	FLAT	DWG NO.	REV
APPROVED				IRGD07	G
ENG. APPVL	DATE	SCALE:			SHEET
JPD	11/15/07	NTS	AUTOCAD		6 OF 14

MATERIAL IS PER TABLE 6. MINIMUM THICKNESS IS 0.053" (16 Ga.)
 MINIMUM YIELD STRENGTH = 58,000 PSI
 MINIMUM TENSILE STRENGTH = 45,700 PSI

REVISIONS

LTR	DESCRIPTION	DATE	APPROVED
A	APPROVAL DWG	YMF 05/20/07	
B	REVISED DWG	RAP 11/26/07	
C	REVISED DWG	RAP 12/12/07	
D	REVISED DWG	YMF 12/15/08	
E	REVISED PER_MDBCCD	YMF 12/15/08	
F	REVISED PER_MDBCCD	YMF 01/04/10	
G	REVISED PER_MDBCCD	YMF 04/08/10	

[Signature]
 Gordon Thomas, P.E. Date
 3759 Blossom Court
 Mason, OH 45040
 Florida #46718

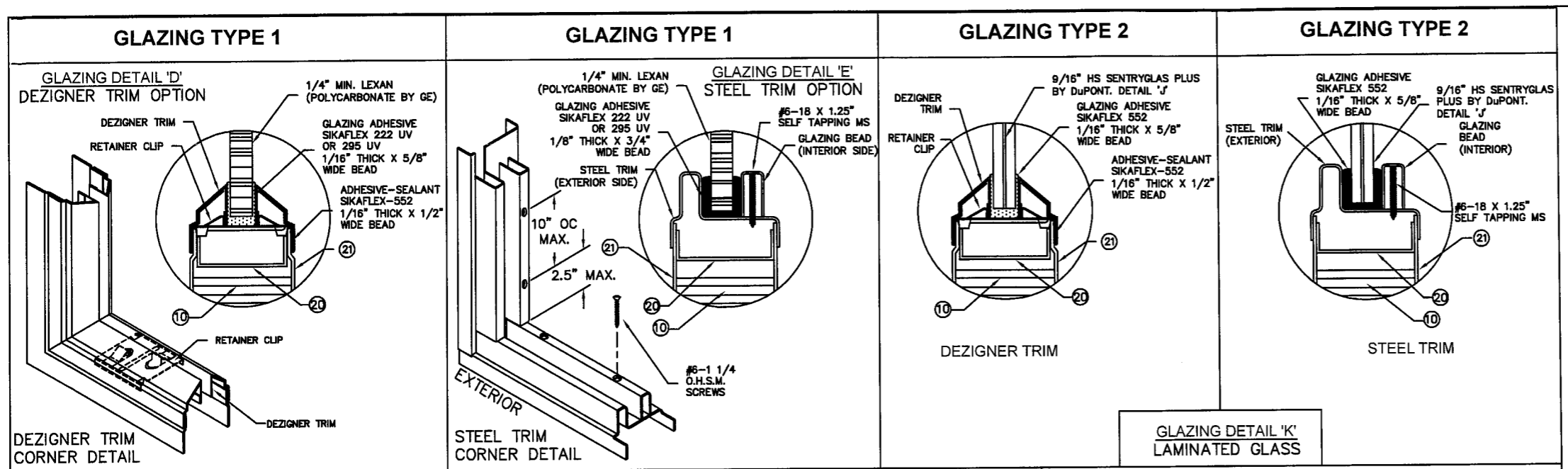


PRODUCT RENEWED
 as complying with the Florida
 Building Code
 Acceptance No 10-0209-08
 Expiration Date MAY 5, 2015
 By [Signature]
 Miami-Dade Product Control
 Division

- DOOR CONSTRUCTION
 - MINIMUM DOOR THICKNESS - 1 3/4"
 - ALL GLASS LITE TYPES SHOWN ON THIS SHEET ARE AVAILABLE FOR ALL DOOR CONFIGURATIONS SHOWN ON SHEET 1 EXCEPT FOR CONFIGURATIONS 3A AND 3B.
 - DOOR CONFIGURATION 3A IS AVAILABLE WITH 'V'-LITE AND 3B IS AVAILABLE WITH N3, N4, AND N5 TYPE LITES. MAXIMUM GLAZING HEIGHT AND WIDTH AS PER SHEET 2 TABLE 1.
 - MAXIMUM DLO GLAZING OPENING SIZE WILL CHANGE IN PROPORTION WITH DOOR SIZE.
 - DOOR SIZE MAY VARY, SUBJECTED TO COMPLIANCE WITH FLORIDA BUILDING CODE AND PRODUCT AVAILABILITY FROM MANUFACTURER.
- FRAME CONSTRUCTION
 - MINIMUM JAMB DEPTH - 5 3/4", STOP HEIGHT - 5/8"
 - FRAMES AVAILABLE AS FLUSH (F-SERIES) AND MULT-USE (MU-SERIES) (SEE TABLE 6. SHT 6.)
 - FOR MATERIAL SPECIFICATIONS REFERENCE SEE TABLE 7 ON SHT.6
 - GLASS LIGHTS ARE NOT LIMITED TO THOSE SHOWN, PROVIDED THAT DLO DIMENSIONS ARE MAINTAINED AND NOT EXCEEDED PER LIMITS SHOWN HERE
 - SEE SHEET 8 OF 14 FOR GLAZING DETAILS

MAX. DLO GLAZING
 12" X 12" OR 4" X 25"
 SEE ELEVATIONS 3A AND 3B
 DLO - DAY LIGHT OPENING

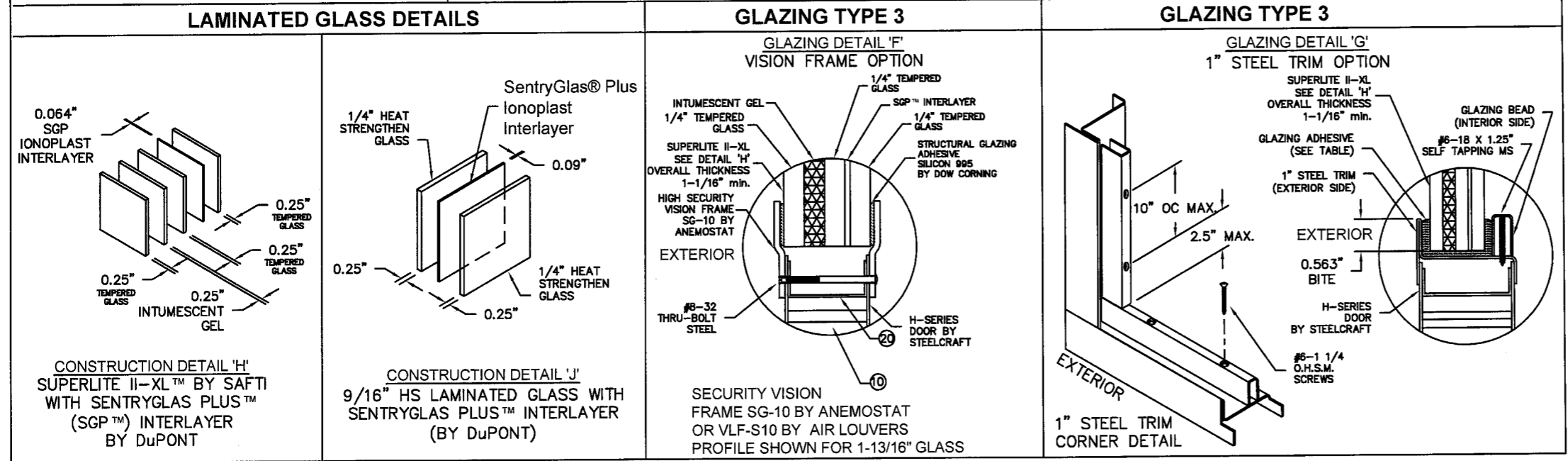
BEND RADIUS		Ingersoll Rand Security Technologies	
THIRD ANGLE PROJECTION			
DRAWN	DATE	TITLE MIAMI-DADE PRODUCT APPROVAL	
YMF	05/20/07	GLASS DOOR CONFIGURATIONS.	
CHECKED		SIZE	FLAT
APPROVED		DWG. NO.	IRGD07
ENG. APPVL	DATE	SCALE	REV
JPD	11/15/07	NTS	G
		AUTOCAD	SHEET 7 of 14



REVISIONS				
LTR	DESCRIPTION	DATE	APPROVED	
A	APPROVAL DWG.	YMF	05/20/07	
B	REVISED DWG.	RAP	11/26/07	
C	REVISED DWG.	RAP	12/12/07	
D	REVISED DWG.	YMF	12/15/08	
E	REVISED PER_MDBCCO	YMF	12/15/08	
F	REVISED PER_MDBCCO	YMF	01/04/10	
G	REVISED PER_MDBCCO	YMF	04/08/10	

NOTES:

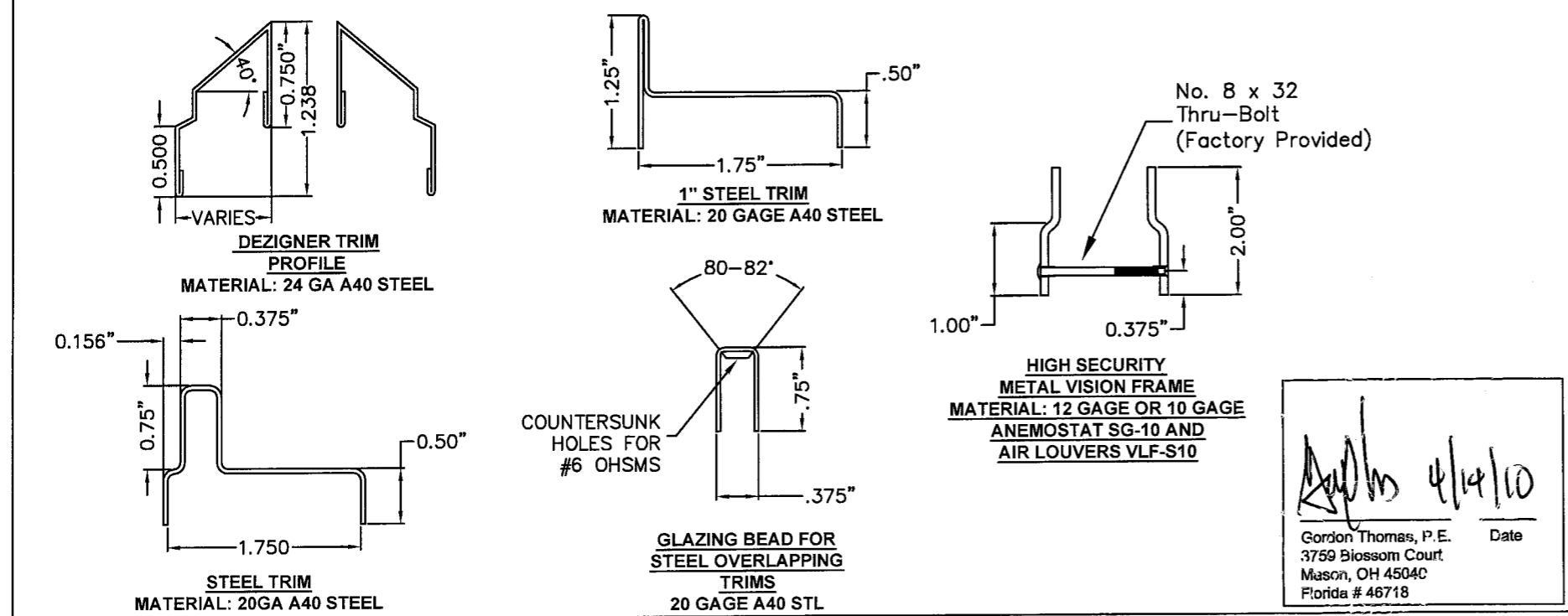
- SEE SHT.1 FOR ELEVATIONS, SHT.2 FOR SIZES AND SHT.6 FOR DOOR & FRAME MATERIAL SPECIFICATIONS.
- SEE SHT.3 NOTE 2. FOR ANCHOR REQUIREMENTS
- SEE SHT. 4 FOR WALL CONSTRUCTION AND ANCHORING SYSTEM
- SEE SHT. 6 FOR AVAILABLE OPENING SIZES, JAMB DEPTHS AND SPECIFICATIONS
- APPROVED HARDWARE INSTALLATION IS PER MANUFACTURER'S INSTRUCTIONS



PRODUCT RENEWED
as complying with the Florida Building Code
Acceptance No. 10-0209-08
Expiration Date MAY 5, 2015
By Isaac L. Landa
Miami Dade Product Control Division

TABLE 8.

GLAZING TYPES AND METHODS				
GLAZING TYPE	GLAZING MATERIAL	TRIM TYPE	SEALANT -ADHESIVE	GLAZING ADHESIVE
1	LEXAN BY GE 1/4" OR 1/2" DETAILS 'D' & 'E'	DESIGNER 1/2" OR 1/4"	SIKAFLEX 552	SIKAFLEX 222UV OR 295UV 1/16" X 5/8" BEAD
		STEEL TRIM		
2	9/16" HS LAMINATED GLASS WITH SENTRYGLAS PLUS™ INTERLAYER (BY DUPONT) DETAIL 'K'	DESIGNER 1/2"	SIKAFLEX 552	SIKAFLEX 552 OR DOW CORNING 995/975 1/16" X 5/8" BEAD
		STEEL TRIM		
3	SUPERLITE II-XL™ BY SAFTI WITH SENTRYGLAS PLUS™ INTERLAYER (BY DUPONT) DETAILS 'F' & 'G'	1" STEEL TRIM (DETAIL 'G')	NONE	SIKAFLEX 552 OR DOW CORNING 995/975 1/16" X 5/8" BEAD
		SECURITY VISION FRAME SG-10 BY ANEMOSTAT OR VLF-S10 BY AIR LOUVERS (DETAIL 'F')	NONE	



BEND RADIUS

THIRD ANGLE PROJECTION

DRAWN **YMF** DATE 05/20/07

CHECKED

APPROVED

ENG. APPVL **JPD** 11/15/07

IR Ingersoll Rand Security Technologies

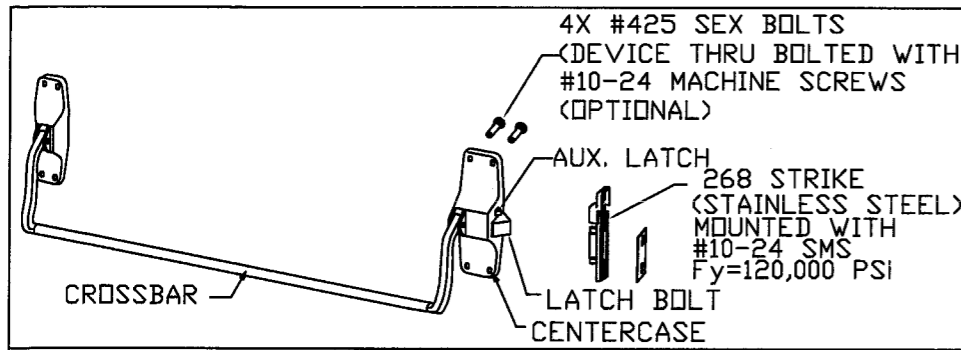
TITLE MIAMI-DADE PRODUCT APPROVAL

GLASS TRIM OPTIONS.

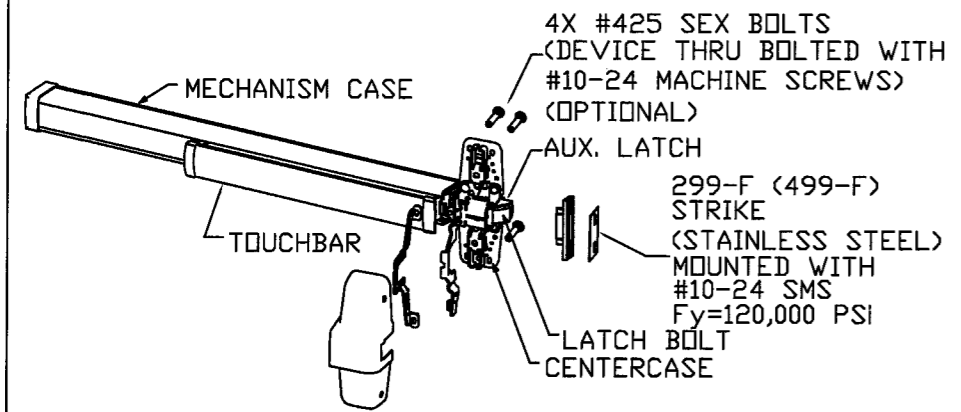
SIZE FLAT DWG NO. IRGD07 REV G

SCALE: NTS AUTOCAD SHEET 8 of 14

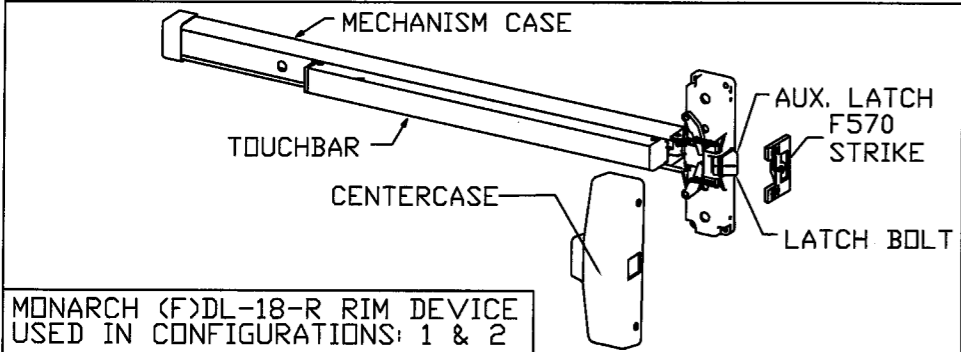
Gordon Thomas, P.E. Date 4/14/10
3759 Blossom Court
Mason, OH 45040
Florida # 46718



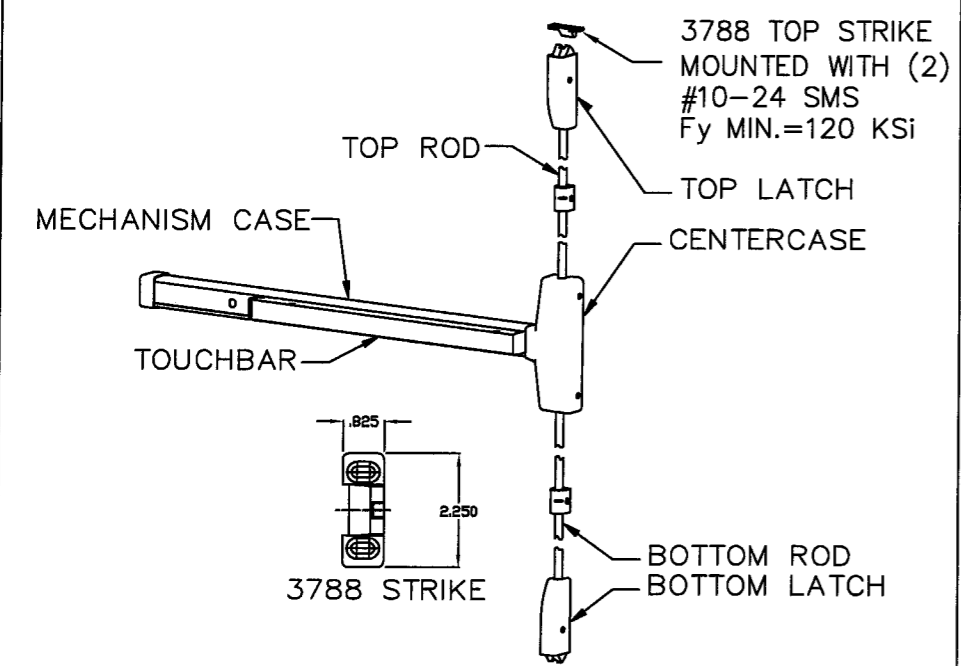
VON DUPRIN 88-F RIM DEVICE, USED IN CONFIGURATIONS: 1 & 2



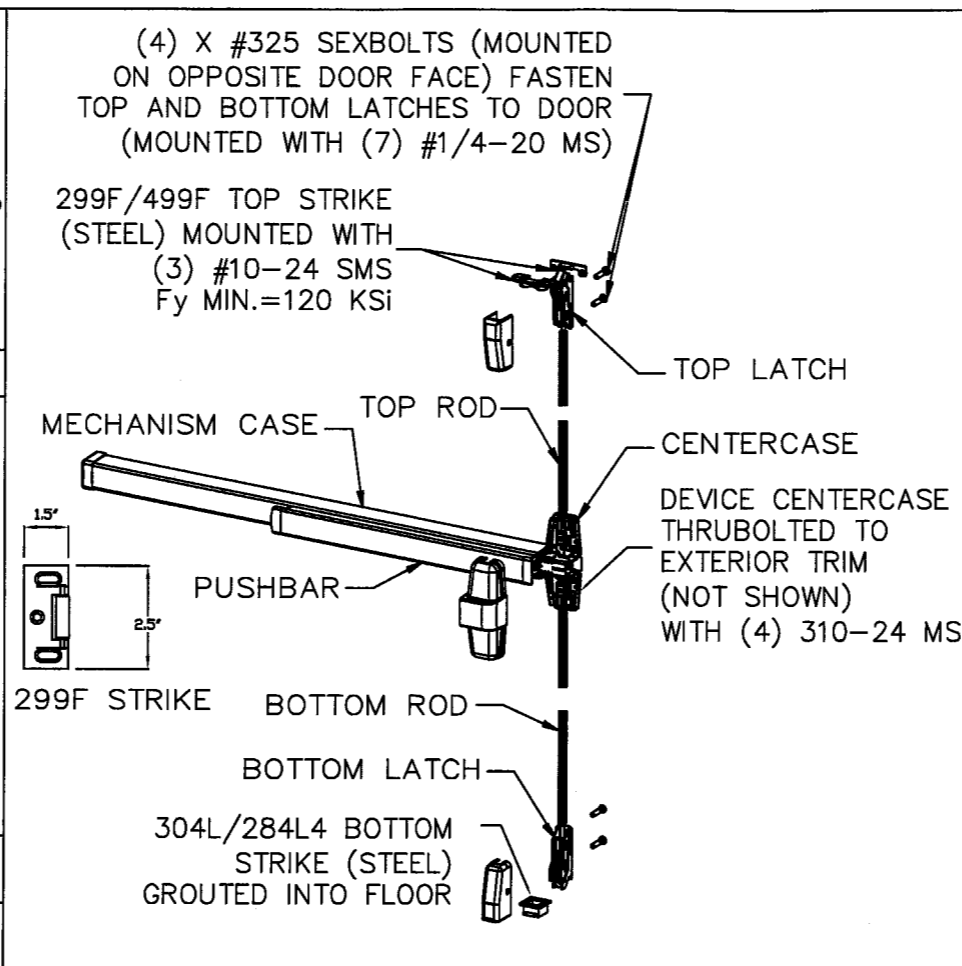
VON DUPRIN 98/99(F) RIM DEVICE USED IN CONFIGURATIONS: 1 & 2



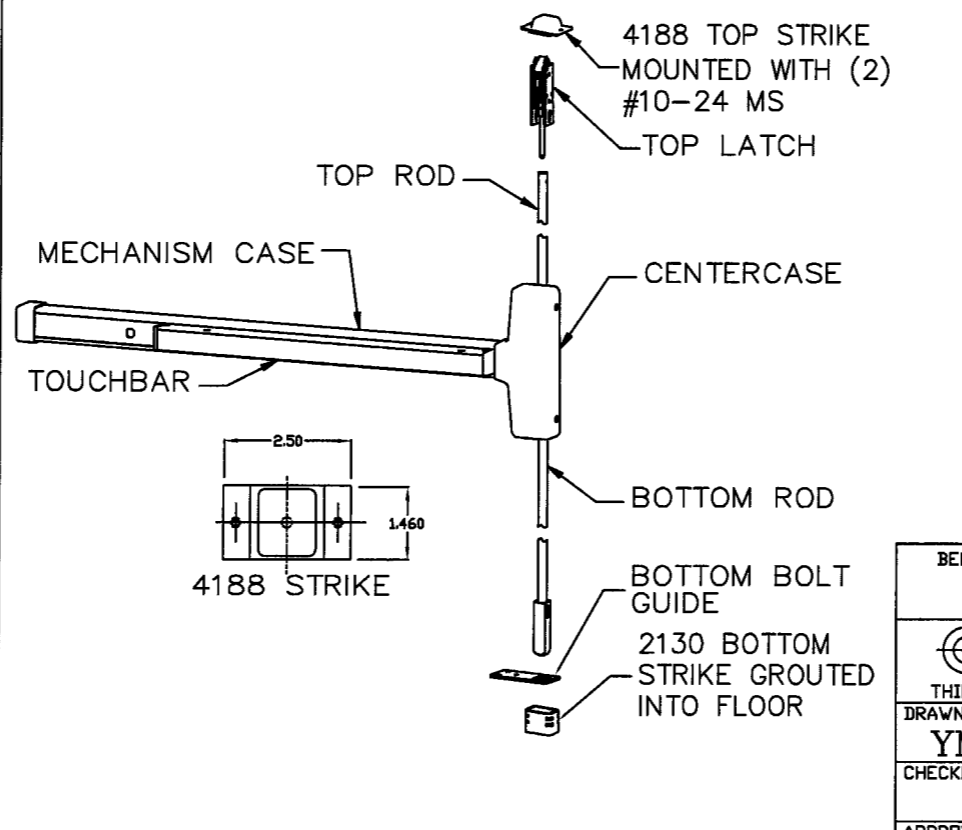
MONARCH (F)DL-18-R RIM DEVICE USED IN CONFIGURATIONS: 1 & 2



MONARCH (F)18-V SURFACE VERTICAL ROD EXIT DEVICE USED IN CONFIGURATIONS: 4



VON DUPRIN 98/9927(F) SURFACE VERTICAL ROD DEVICE USED IN CONFIGURATIONS: 4



MONARCH F-18-C CONCEALED VERTICAL ROD EXIT DEVICE USED IN CONFIGURATIONS: 5

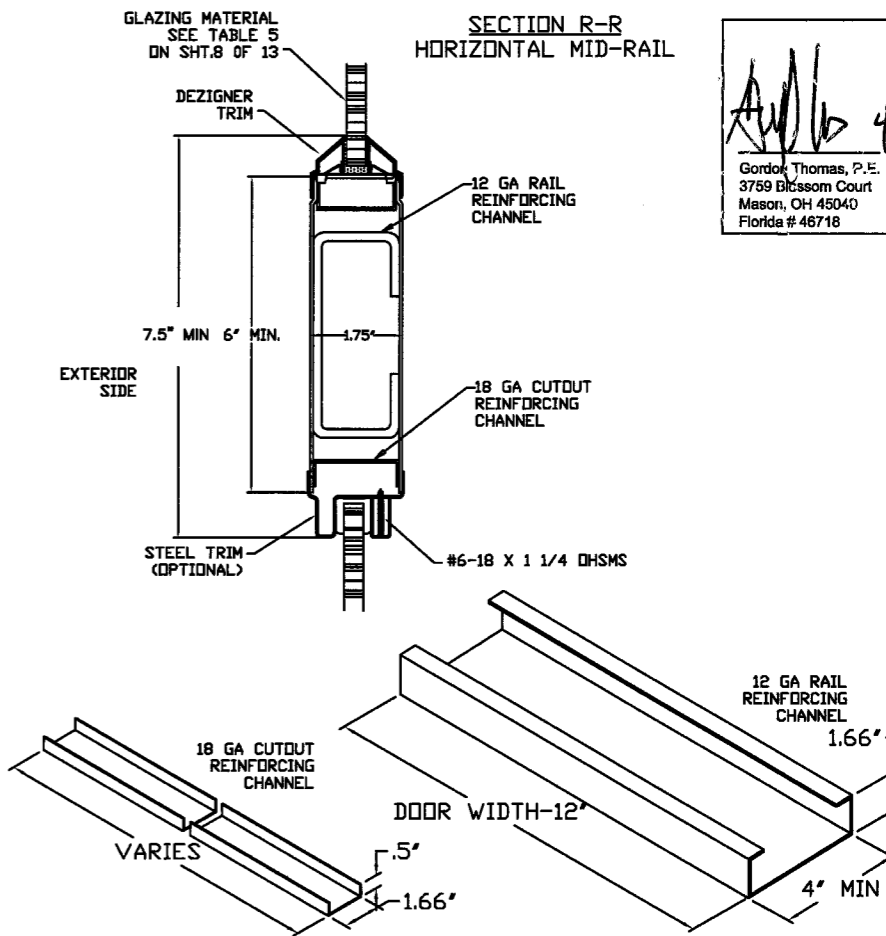
PRODUCT RENEWED
 as complying with the Florida Building Code
 Acceptance No. 10-0209-08
 Expiration Date MAY 5, 2015
 By Ishag I. Chaudhry
 Miami Dade Product Control Division

REVISIONS

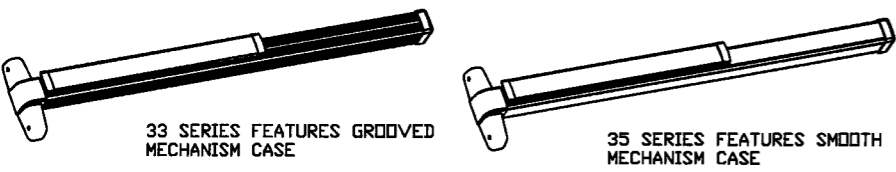
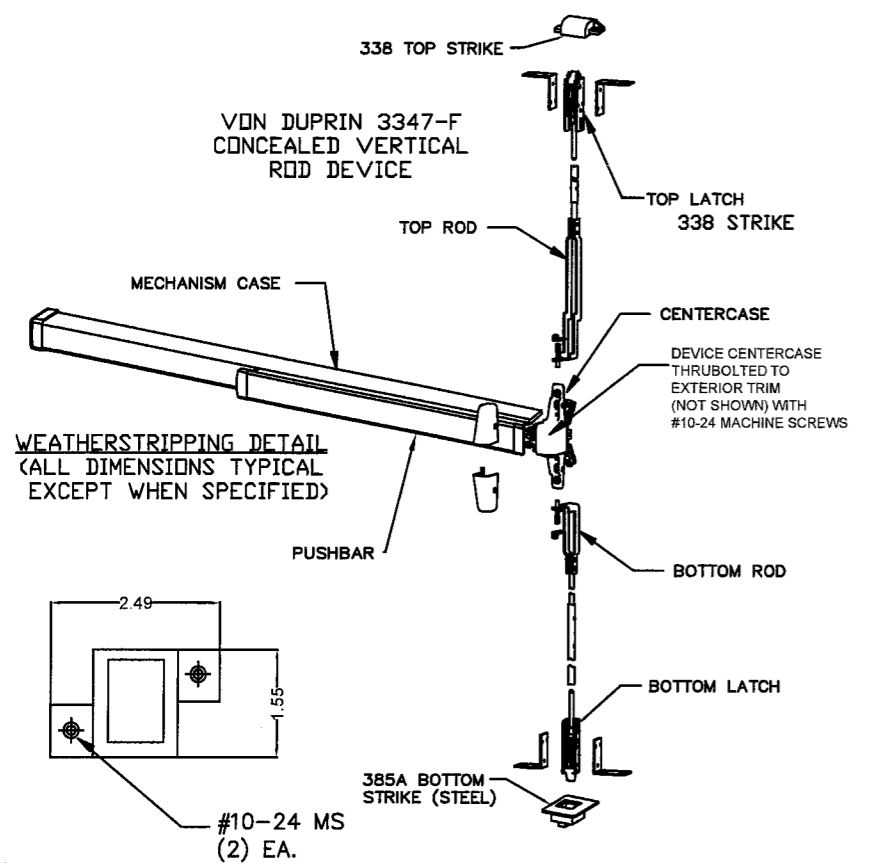
LTR	DESCRIPTION	DATE	APPROVED
A	APPROVAL DWG	YMF 05/20/07	
B	REVISED DWG	RAP 11/26/07	
C	REVISED DWG	RAP 12/14/07	
D	REVISED DWG	YMF 12/14/08	
E	REVISED PER_MDBCCD	YMF 02/05/09	
F	REVISED PER_MDBCCD	YMF 01/04/10	
G	REVISED PER_MDBCCD	YMF 04/08/10	

NOTES:

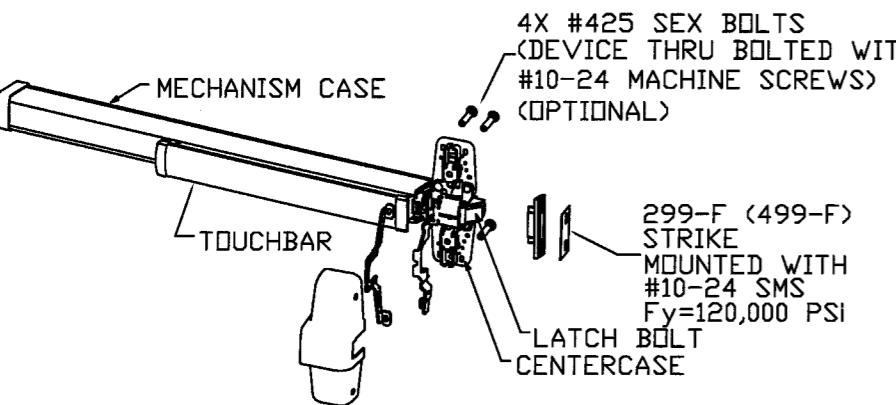
- ELECTRICAL FUNCTIONS/INSTALLATION IS NOT PART OF THIS APPROVAL AND TO BE REVIEWED AND APPROVED BY BUILDING OFFICIAL.
- EXIT HARDWARE OPTIONS:
 FOR 98/99 & XP98/99 SERIES - FUNCTIONS E, RX, LX, SS, EL, CX, F; TRIM: ALL APPLICABLE TRIMS AVAILABLE.
 FOR 88-F SERIES - FUNCTION E; TRIM: ALL APPLICABLE TRIMS AVAILABLE. PN MODEL OFFERED.
 FOR 33/35-F SERIES - FUNCTIONS RX, LX, EL, SS; TRIM: ALL APPLICABLE TRIMS AVAILABLE.
 FOR 2670 GUARD-X; TRIM: ALL APPLICABLE TRIMS AVAILABLE.
 FOR 18-R, F-18-C & 18-V SERIES - FUNCTIONS DL, EA, HWEA, DE, ELR, F, DM, LM, AE, LK, SM
 TRIM: ALL APPLICABLE TRIMS AVAILABLE.



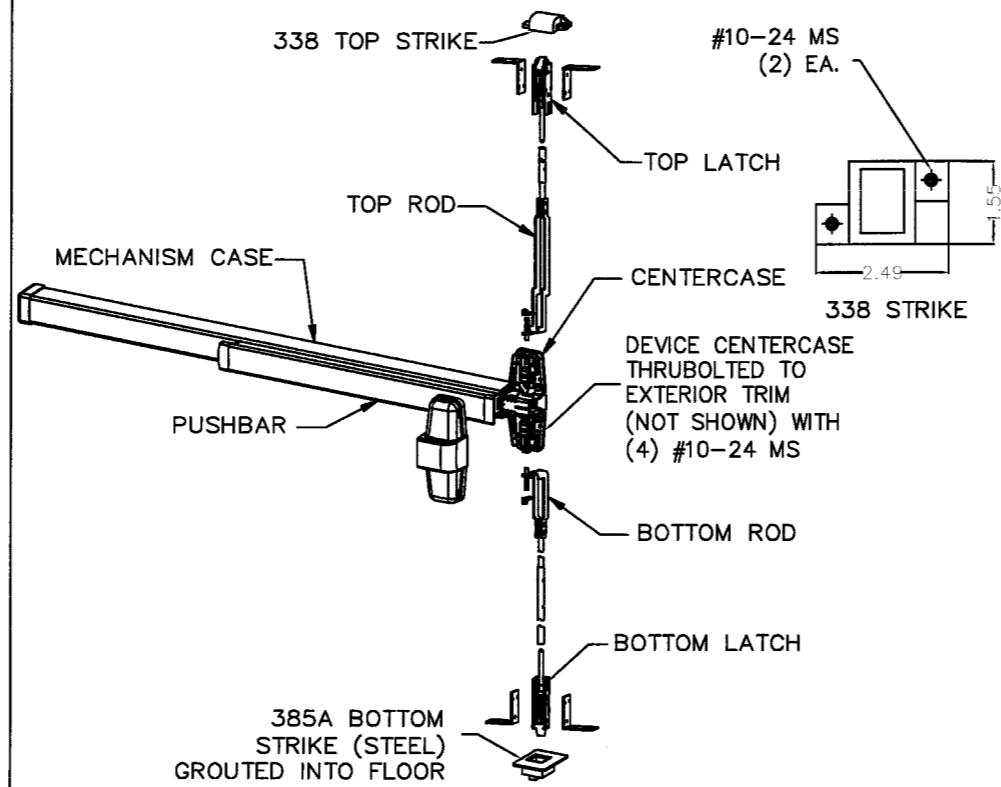
BEND RADIUS		Ingersoll Rand Security Technologies	
THIRD ANGLE PROJECTION			
DRAWN	DATE	TITLE MIAMI-DADE PRODUCT APPROVAL	
YMF	05/20/07	IR EXIT HARDWARE FOR GLASS DOUBLE DOORS.	
CHECKED	CDATE	SIZE	FLAT
APPROVED	ADATE	DWG NO.	IRGD07
ENG. APPVL	EDATE	SCALE	NTS
JPD	11/15/07	AUTOCAD	SHEET 9 OF 14



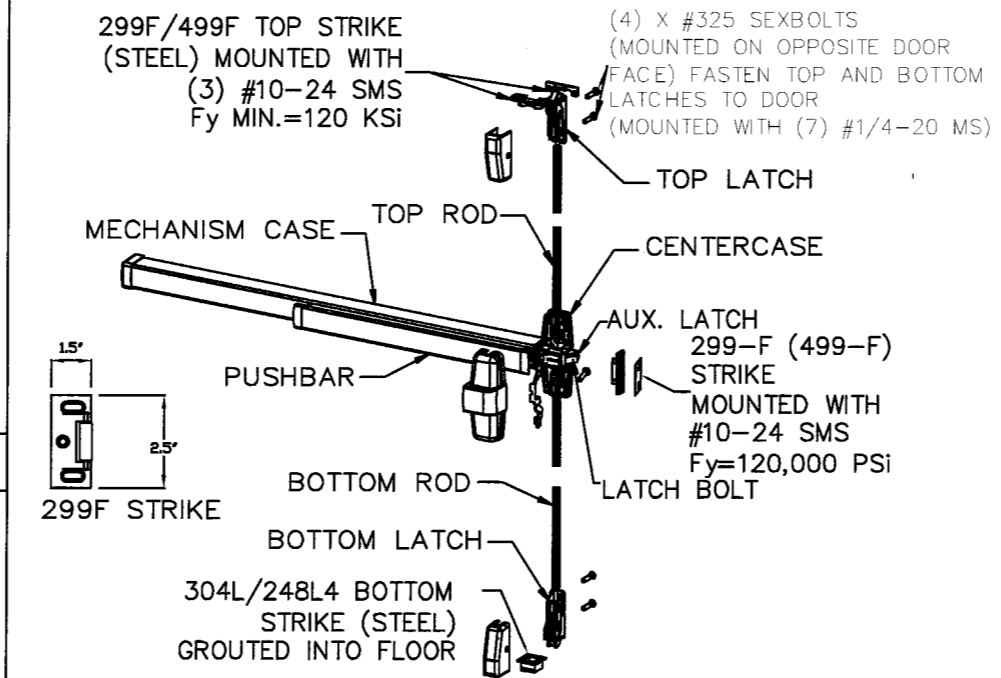
VON DUPRIN 33/3547-F CONCEALED VERTICAL ROD DEVICE
USED IN CONFIGURATIONS: 5



VON DUPRIN XP98/99(F) RIM DEVICE
USED IN CONFIGURATIONS: 3A & 3B



VON DUPRIN 98/9947-F (CONCEALED) VERTICAL ROD
USED IN CONFIGURATION: 5



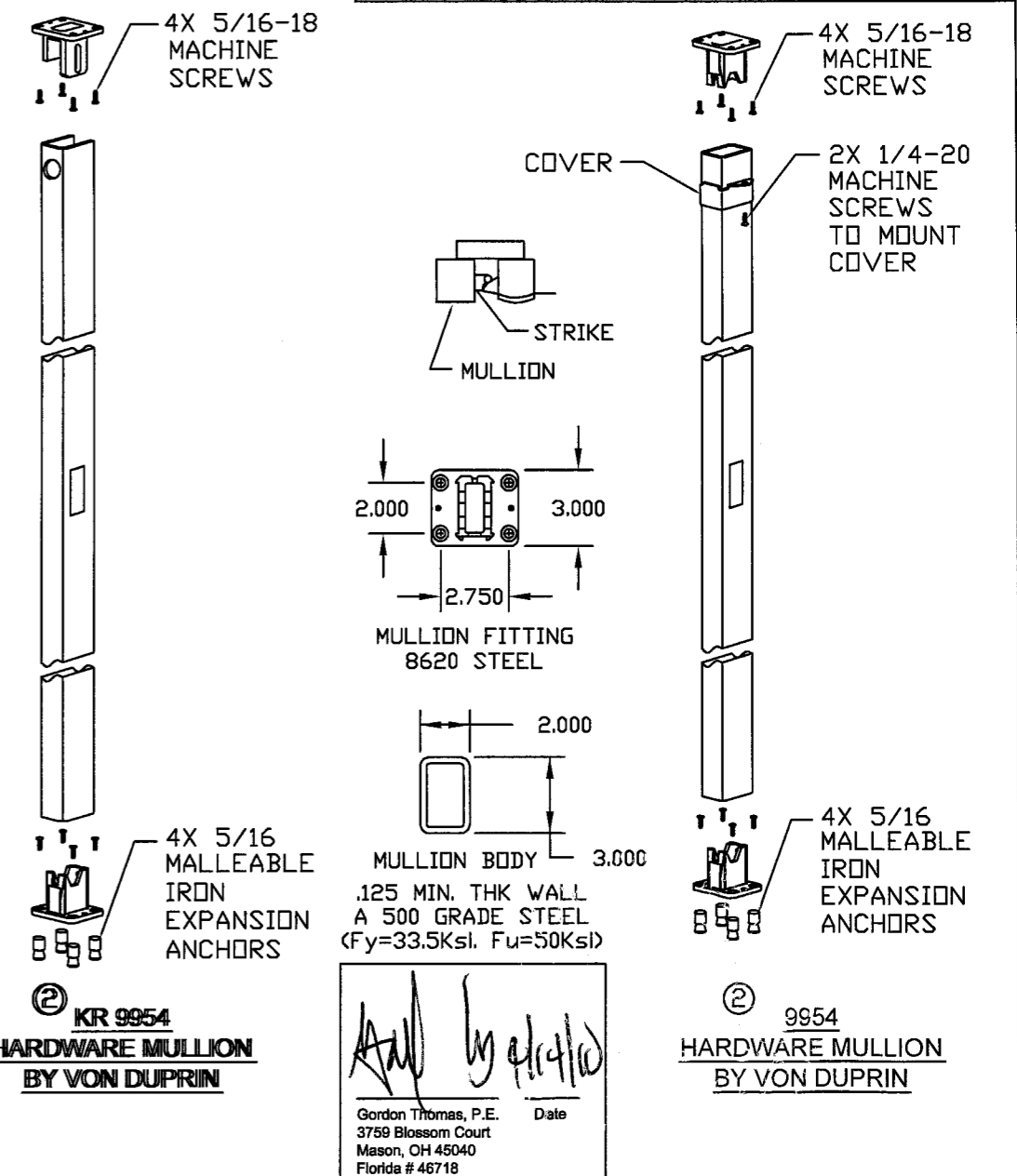
VON DUPRIN 98/9957(F) THREE-POINT EXIT DEVICE
USED IN CONFIGURATIONS: 6,7,8 & 9

EXIT HARDWARE OPTIONS:
 FOR 98/99 & XP98/99 SERIES - FUNCTIONS E, RX, LX, SS, EL, CX, F
 TRIM: ALL APPLICABLE TRIMS AVAILABLE.
 FOR 88-F SERIES - FUNCTION E
 TRIM: ALL APPLICABLE TRIMS AVAILABLE.
 PN MODEL OFFERED.
 FOR 33/35-F SERIES - FUNCTIONS RX, LX, EL, SS
 TRIM: ALL APPLICABLE TRIMS AVAILABLE.
 FOR 2670 GUARD-X
 TRIM: ALL APPLICABLE TRIMS AVAILABLE.
 FOR 18-R F-18-C & 18-V SERIES - FUNCTIONS DL, EA, HWEA, DE, ELR,
 F, DM, LM, AE, LK, SM
 TRIM: ALL APPLICABLE TRIMS AVAILABLE.

NOTE: ELECTRICAL FUNCTIONS/INSTALLATION IS NOT PART OF THIS APPROVAL
 AND TO BE REVIEWED AND APPROVED BY BUILDING OFFICIAL.

PRODUCT RENEWED
 as complying with the Florida
 Building Code
 Acceptance No. 10-0209-08
 Expiration Date MAY 5, 2015
 By Ishaq I. Chund
 Miami Dade Product Control
 Division

REVISIONS				
LTR	DESCRIPTION	DATE	APPROVED	
A	APPROVAL DWG	YMF	05/20/07	
B	REVISED DWG	RAP	11/26/07	
C	REVISED DWG	RAP	12/14/07	
D	REVISED DWG	YMF	12/14/08	
E	REVISED PER_MDBCCD	YMF	02/05/09	
F	REVISED PER_MDBCCD	YMF	01/04/10	
G	REVISED PER_MDBCCD	YMF	04/08/10	



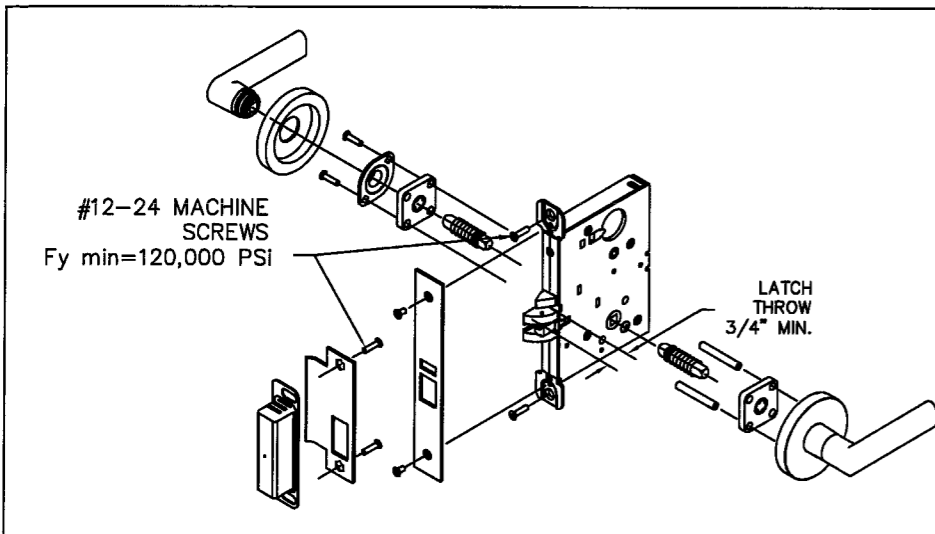
BEND RADIUS		 Ingersoll Rand Security Technologies		
THIRD ANGLE PROJECTION				
DRAWN YMF	DATE 05/20/07	TITLE MIAMI-DADE PRODUCT APPROVAL		
CHECKED		IR EXIT HARDWARE FOR GLASS DOUBLE DOORS.		
APPROVED		SIZE	FLAT	DWG. NO.
ENG. APPVL JPD	11/15/07	IRGD07		REV G
SCALE: NTS		AUTOCAD		SHEET 10 OF 14

REVISIONS				
LTR	DESCRIPTION	DATE	APPROVED	
A	APPROVAL DWG	YMF	05/20/07	
B	REVISED DWG	RAP	11/26/07	
C	REVISED DWG	RAP	12/14/07	
D	REVISED DWG	YMF	12/14/08	
E	REVISED PER_MDBCCO	YMF	02/05/09	
F	REVISED DWG	YMF	12/18/09	
G	REVISED PER_MDBCCO	YMF	04/08/10	

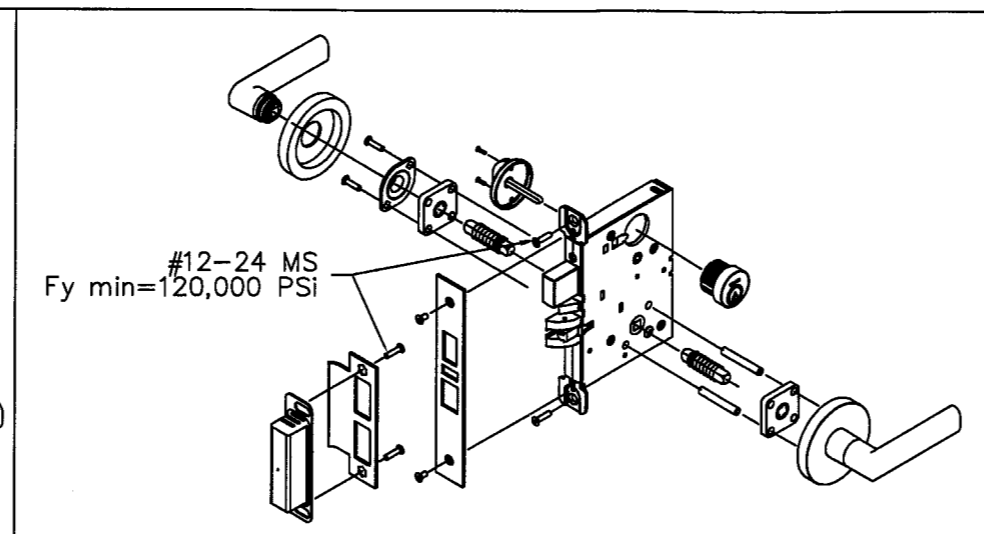
Gordon Thomas
 Gordon Thomas, P.E. Date
 3759 Blossom Court
 Mason, OH 45040
 Florida #46718

NOTE:
 ELECTRICAL FUNCTIONS/INSTALLATION IS NOT PART OF THIS APPROVAL AND TO BE REVIEWED AND APPROVED BY BUILDING OFFICIAL.

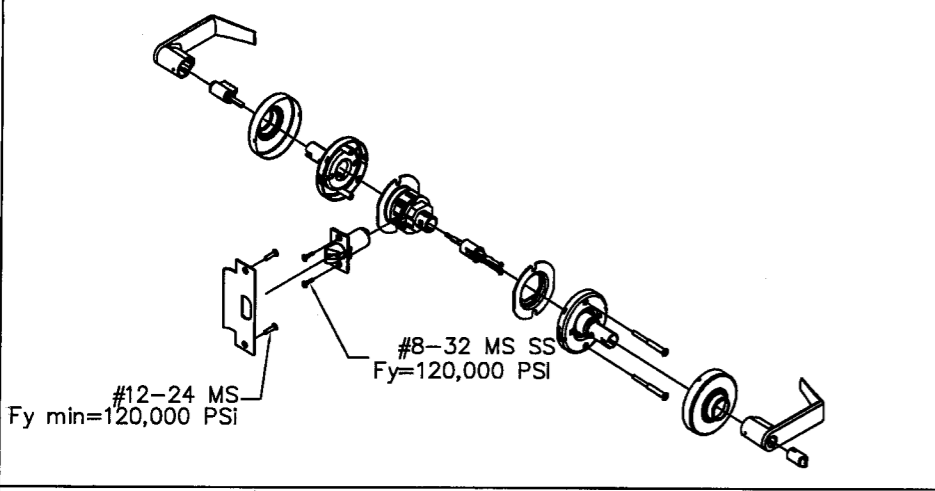
PRODUCT RENEWED
 as complying with the Florida Building Code
 Acceptance No. 10-0209-08
 Expiration Date MAY 5, 2015
 By *Ishag I. Chouh*
 Miami Dade Product Control Division



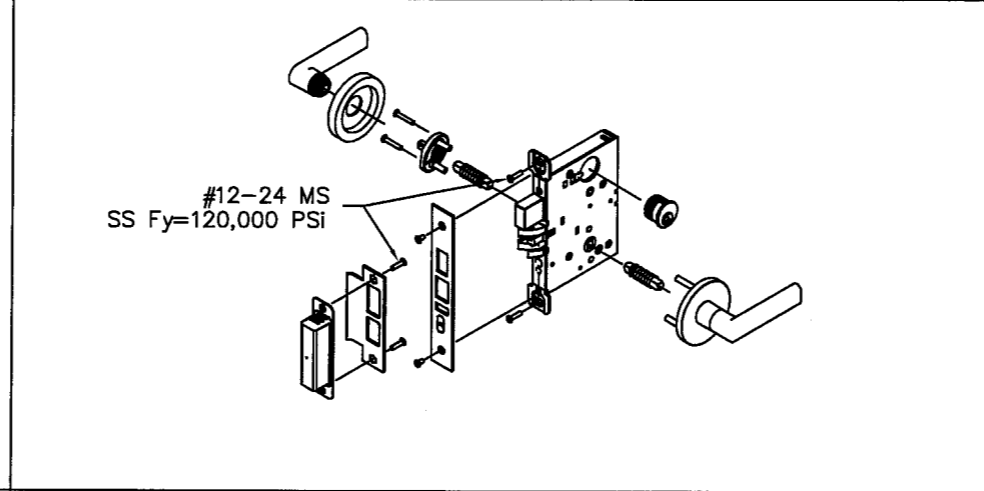
SCHLAGE L/LV 9000 SERIES MORTISE LOCKSET W/O DEADBOLT USED IN CONFIGURATIONS: 10



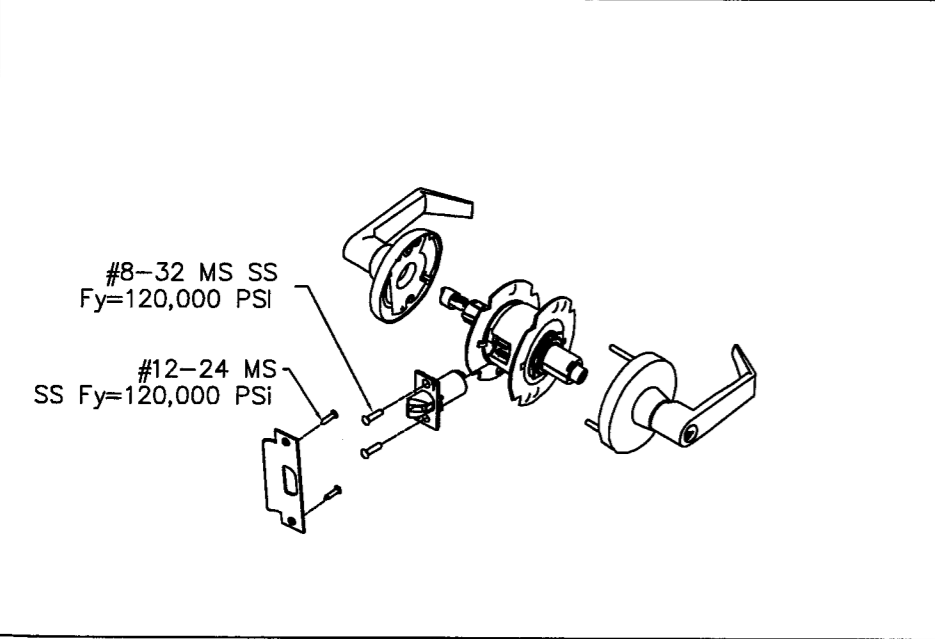
SCHLAGE L/LV 9400 SERIES MORTISE LOCKSET W/ DEADBOLT USED IN CONFIGURATIONS: 10



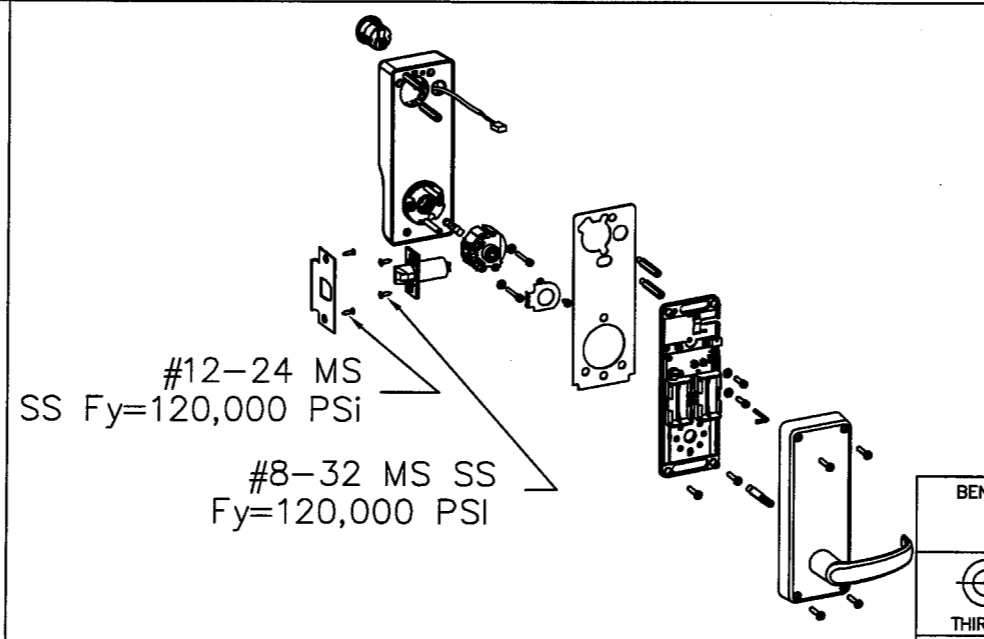
SCHLAGE D/ND-SERIES CYLINDRICAL LEVER LOCKSET (MIN. 1/2" THROW LATCH). USED IN CONFIGURATIONS: 11



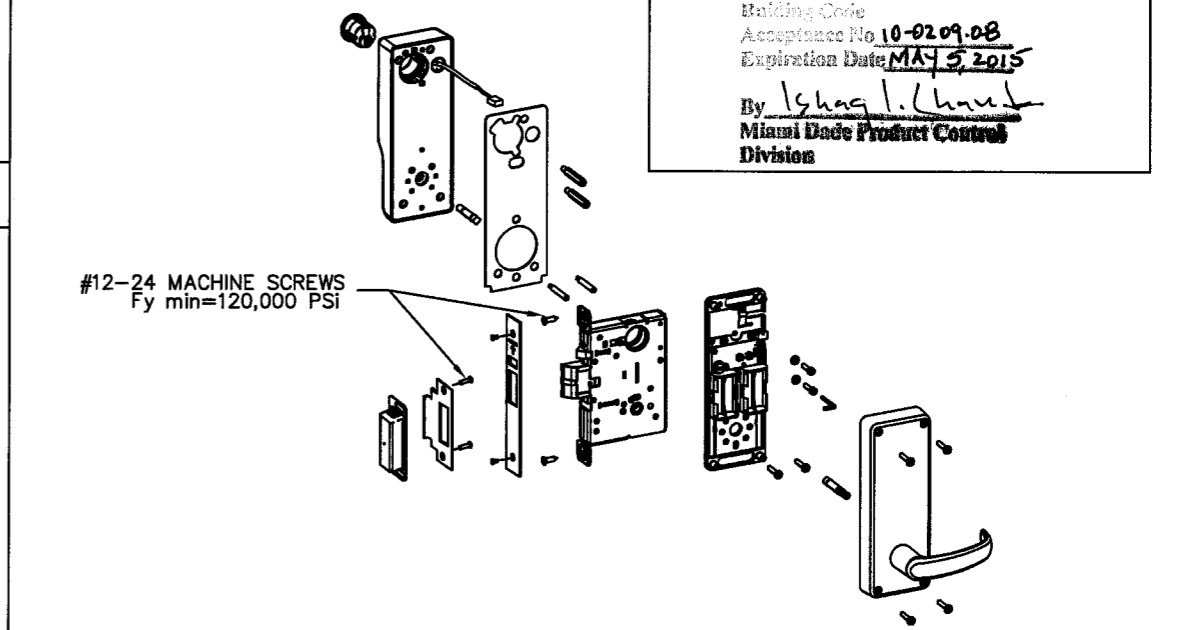
FALCON M-SERIES MORTISE LOCKSET W/ DEADBOLT SHOWN USED IN CONFIGURATIONS: 10



FALCON, T-SERIES CYLINDRICAL LEVER LOCKSET (MIN. 1/2" THROW LATCH). USED IN CONFIGURATIONS: 11

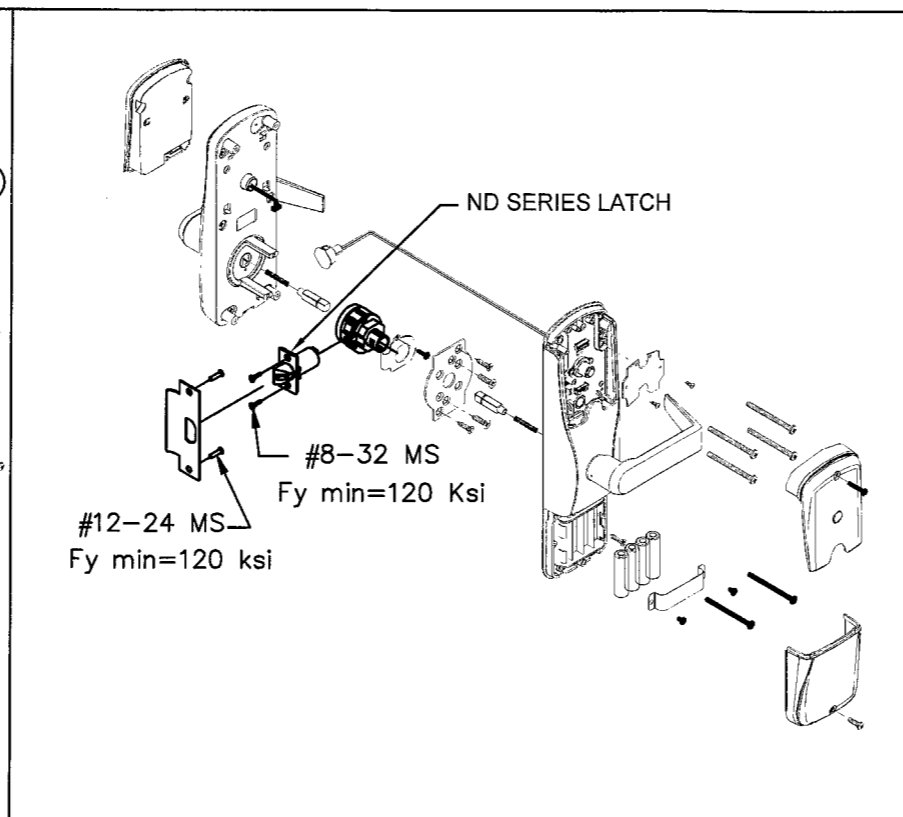
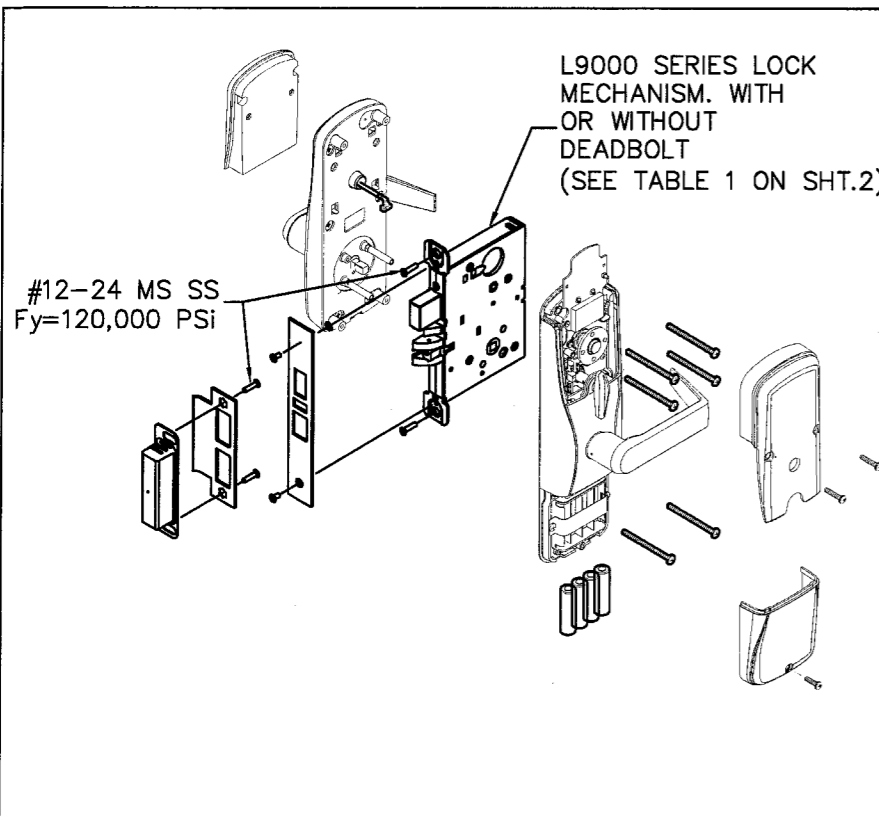


CYLINDRICAL LEVER LOCKSET LOCKNETICS/SCHLAGE 5100 SERIES (MIN. 1/2" THROW LATCH). USED IN CONFIGURATIONS: 11



LOCKNETICS / SCHLAGE 5500 AND SERIES MORTISE LOCKSET W/ AUTOBOLT (MIN. THROW - 3/4"). USED IN CONFIGURATIONS: 10

BEND RADIUS		 Ingersoll Rand Security Technologies	
THIRD ANGLE PROJECTION			
DRAWN	DATE	TITLE MIAMI-DADE PRODUCT APPROVAL	
YMF	05/20/07	IR EXIT HARDWARE FOR GLASS DOUBLE DOORS.	
CHECKED		SIZE	FLAT
APPROVED		DWG NO.	IRGD07
ENG. APPVL		SCALE:	NTS AUTOCAD
JPD	11/15/07	SHEET	11 OF 14



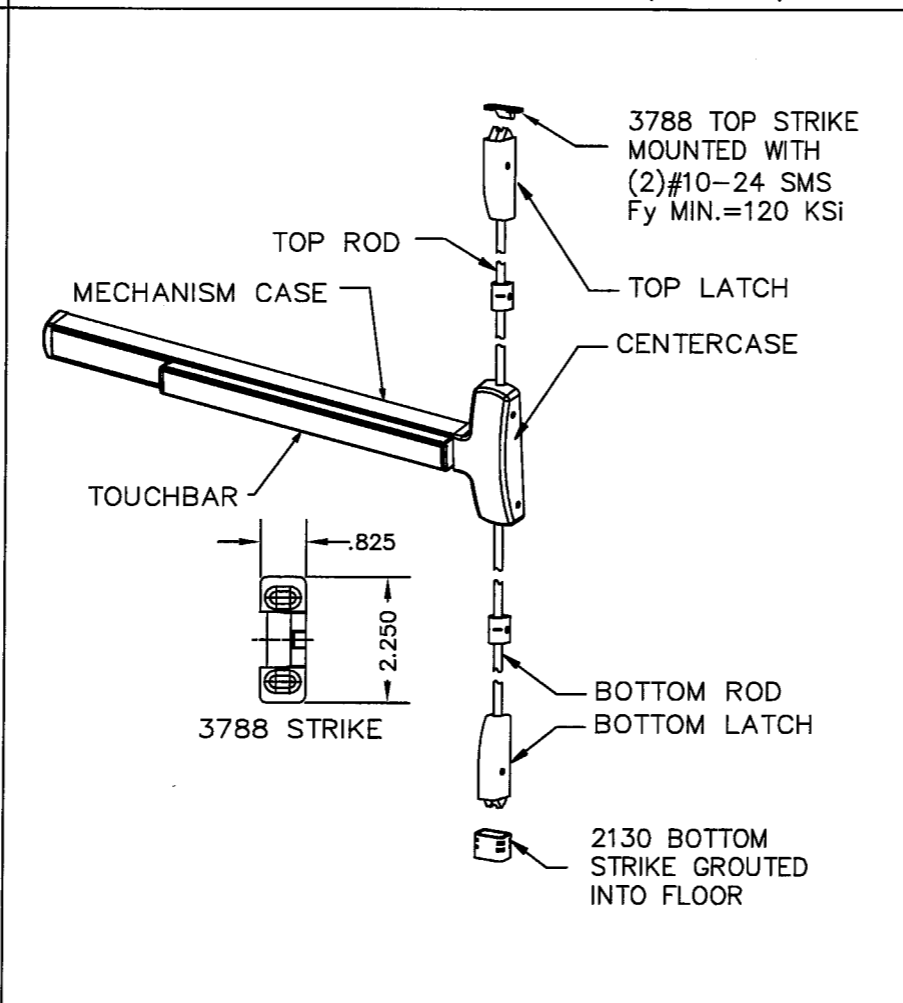
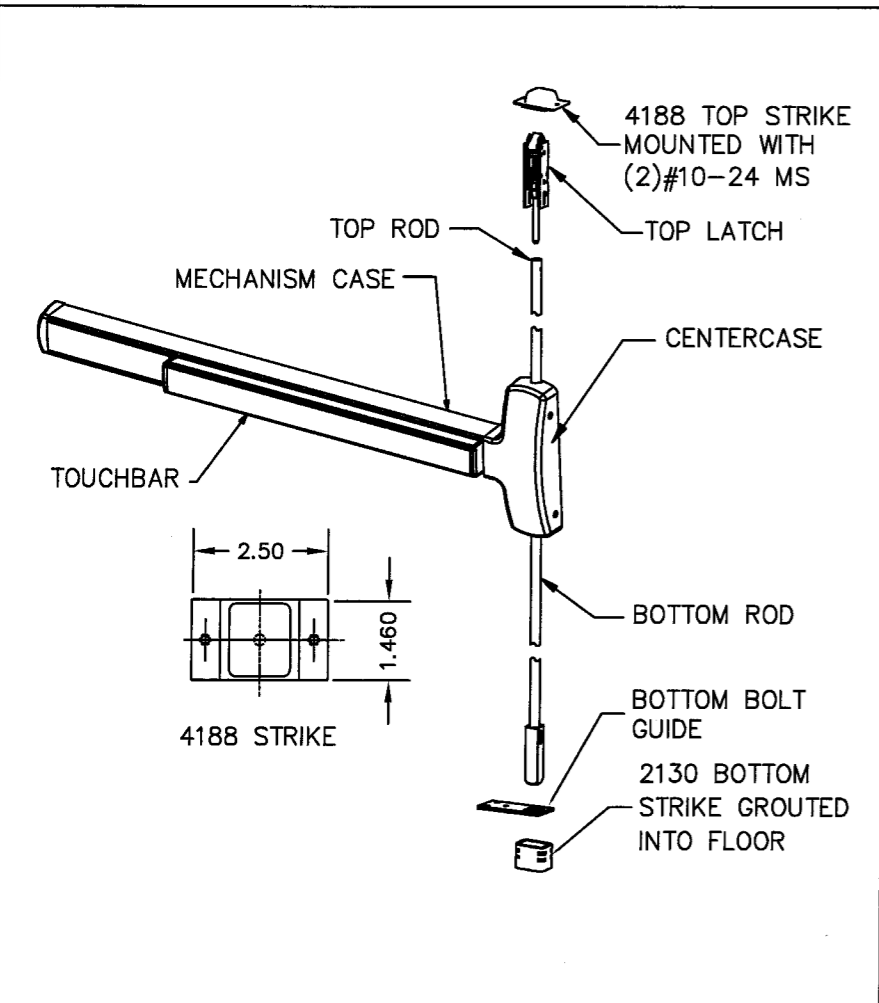
REVISIONS			
LTR	DESCRIPTION	DATE	APPROVED
F	ADDED	12/18/09	
G	REVISED_PER_MDBCCO	04/08/10	

PRODUCT RENEWED
 as complying with the Florida Building Code
 Acceptance No 10-1209-08
 Expiration Date MAY 5, 2015
 By Ishag I. Chaudh
 Miami Dade Product Control Division

(Signature)
 Gordon Thomas, P.E. Date
 3759 Blossom Court
 Mason, OH 45040
 Florida # 46718

SCHLAGE CO/AD MS SERIES MORTISE LOCKSET
 USED IN CONFIGURATIONS: 10 (SEE SHT. 1)

SCHLAGE CO/AD CY SERIES CYLINDRICAL LOCKSET
 USED IN CONFIGURATIONS: 11 (SEE SHT.1)


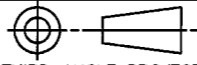


CONCEALED VERTICAL ROD EXIT DEVICE FALCON F-25-C
 USED IN DOOR CONFIGURATION 5 (SEE SHT.1)

SURFACE VERTICAL ROD EXIT DEVICE FALCON (F)25-V
 USED IN DOOR CONFIGURATION 4 (SEE SHT.1)

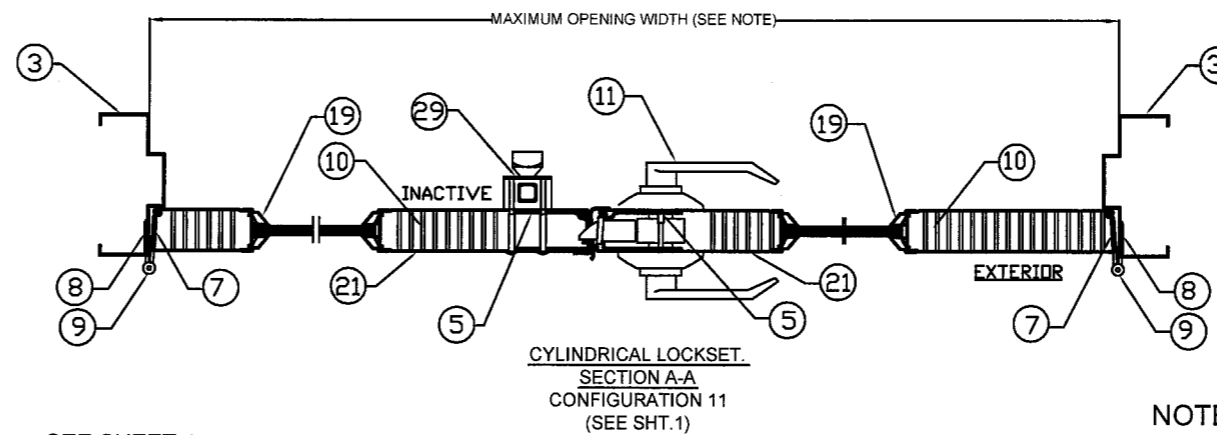
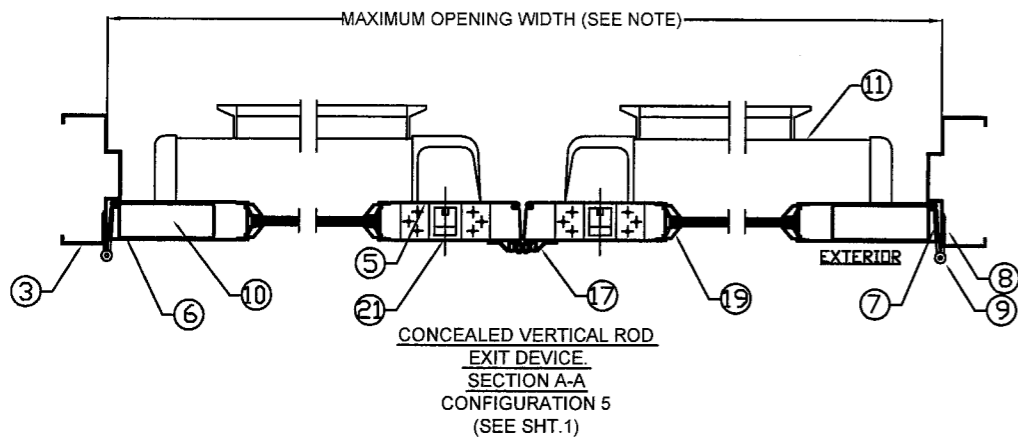
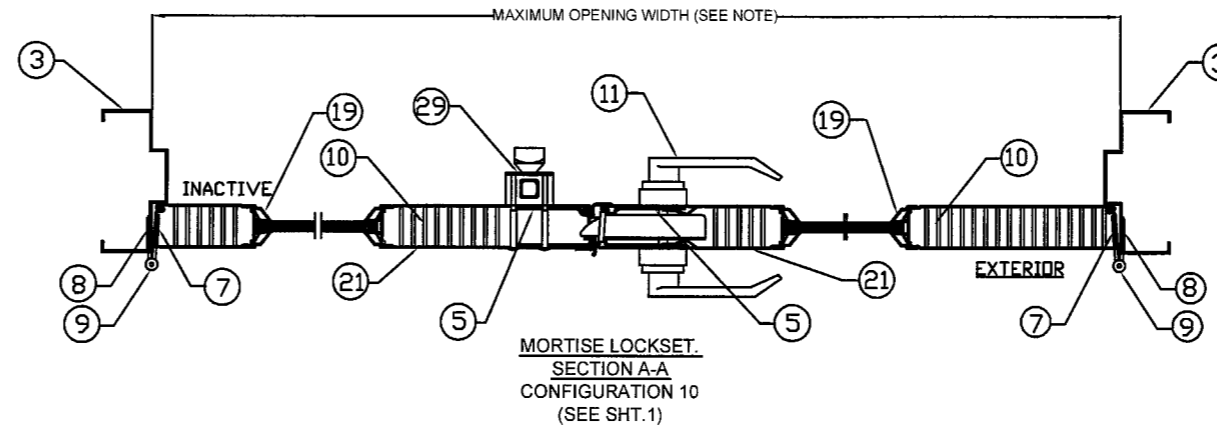
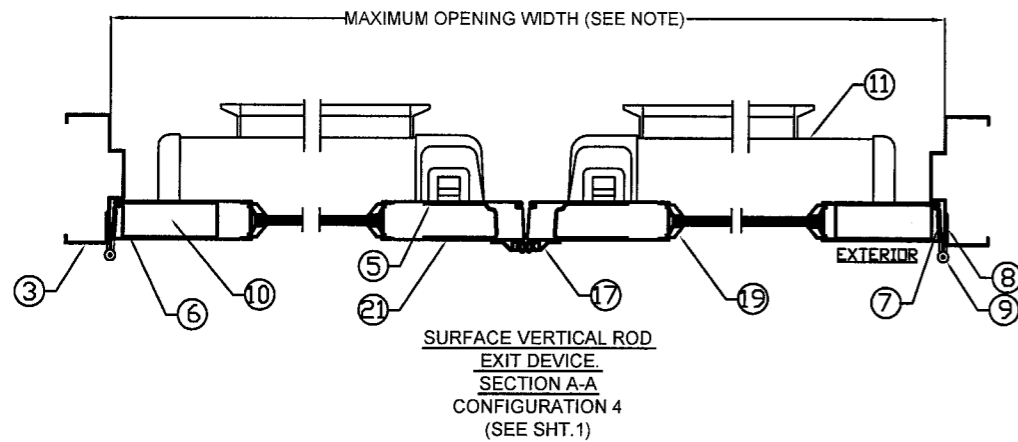
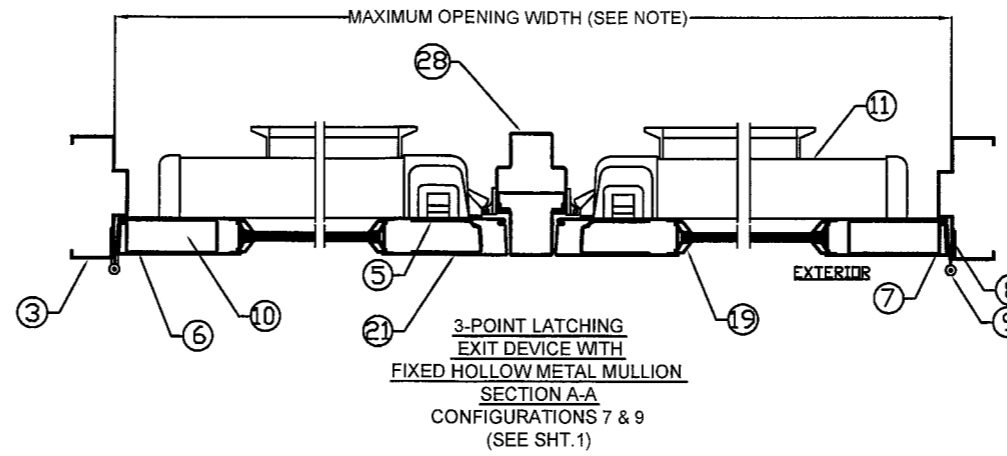
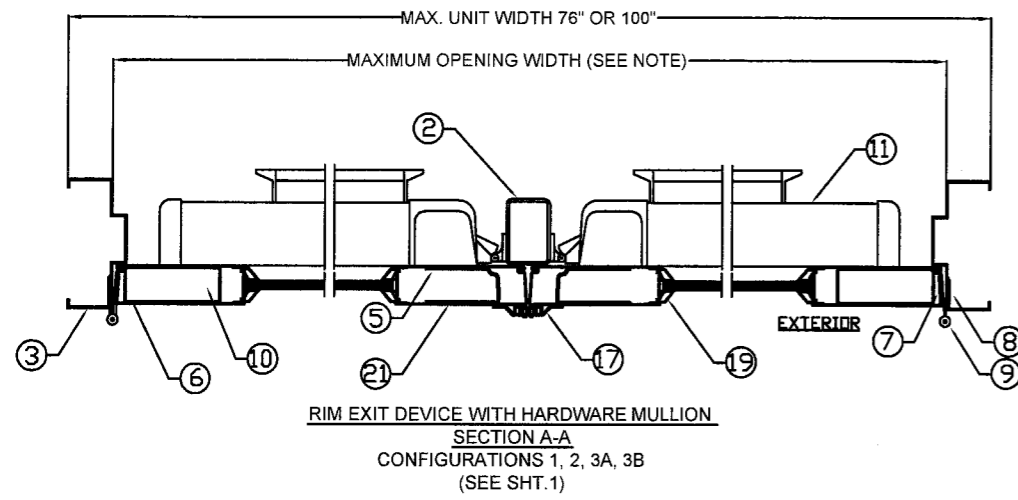
EXIT HARDWARE OPTIONS:
 F-25-C & (F)25-V SERIES - FUNCTIONS AE, DM, LM, LK, KOR, ED, EL, EA, FSA, FSE, HWEA
 TRIMS: ALL APPLICABLE TRIMS AVAILABLE.

NOTE: ELECTRICAL FUNCTIONS/INSTALLATION IS NOT PART OF THIS APPROVAL AND TO BE REVIEWED AND APPROVED BY BUILDING OFFICIAL.

BEND RADIUS		 Ingersoll Rand Security Technologies	
 THIRD ANGLE PROJECTION			
DRAWN	DATE	IR EXIT HARDWARE FOR GLASS DOUBLE DOORS.	
YMF	05/20/07		
CHECKED			
APPROVED		SIZE	FLAT
		DWG NO.	IRGD07
ENG. APPVL		SCALE:	NTS
JPD	11/15/07	AUTOCAD	
		SHEET	12 OF 14

REVISIONS

LTR	DESCRIPTION	DATE	APPROVED
A	APPROVAL DWG	YMF 05/20/07	
B	REVISED DWG	RAP 11/26/07	
C	REVISED DWG	RAP 12/14/07	
D	REVISED DWG	YMF 12/14/08	
E	REVISED PER_MDBCCD	YMF 02/05/09	
F	REVISED NEW_NUMBER	YMF 01/04/10	
G	REVISED PER_MDBCCD	YMF 04/08/10	



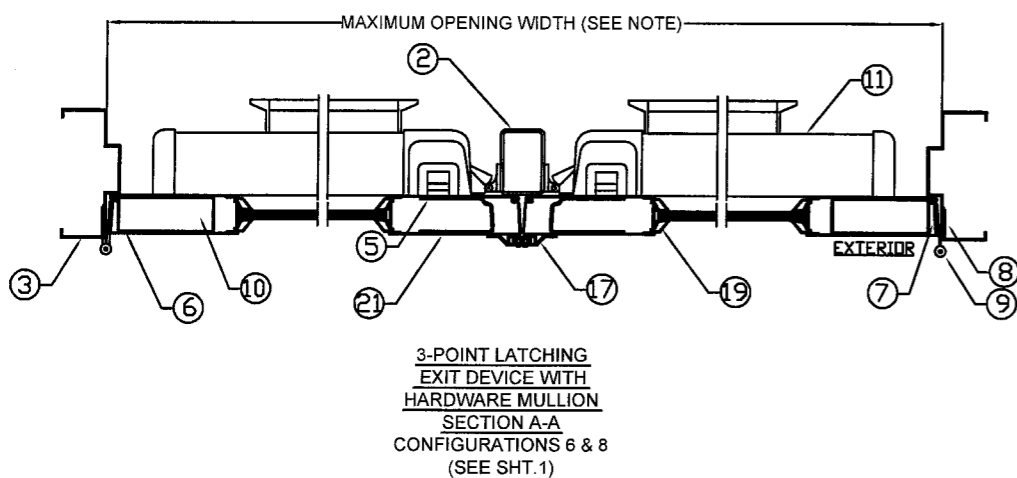
SEE SHEET 4
FOR ANCHOR
INSTALLATION
DETAILS

PRODUCT REVIEWED
as complying with the Florida
Building Code
Acceptance No. 10-0209-08
Expiration Date MAY 5, 2015
By: *[Signature]*
Miami Dade Product Control
Division

NOTES:

- FOR MAXIMUM OPENING SIZE SEE SHT 3 OF 14.
- GLAZING DETAIL 'K' (GLAZING TYPE 2) SHOWN,
SEE TABLE 8, SHEET 8 OF 14 FOR ADDITIONAL OPTIONS.

[Signature] 4/14/10
Date
Gordon Thomas, P.E.
3759 Blossom Court
Mason, OH 45040
Florida # 46718



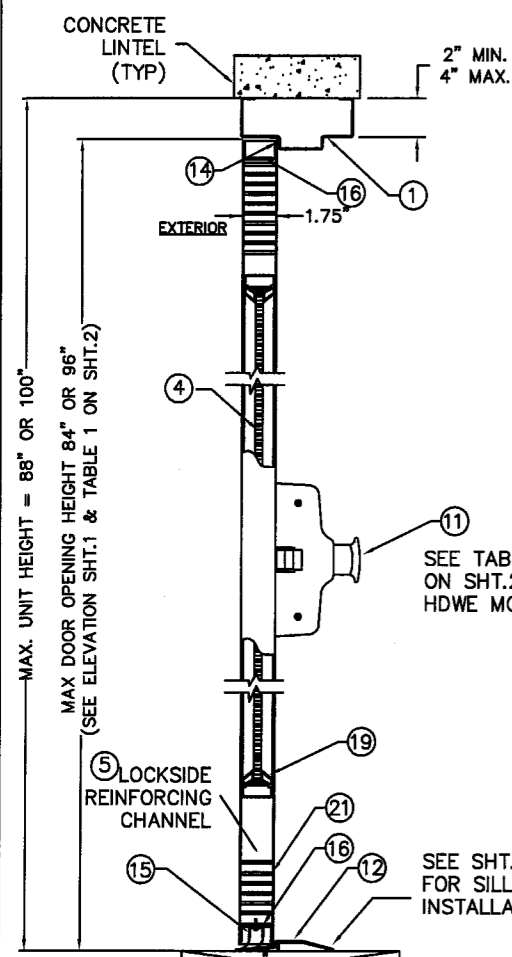
BEND RADIUS		Ingersoll Rand Security Technologies	
THIRD ANGLE PROJECTION			
DRAWN YMF	DATE 05/20/07	TITLE MIAMI-DADE PRODUCT APPROVAL	
CHECKED		HORIZONTAL CROSS SECTIONS FOR GLASS DOUBLE DOORS.	
APPROVED		SIZE	FLAT
ENG. APPVL JPD	11/15/07	DWG NO.	IRGD07
SCALE: NTS		AUTOCAD	REV G
SHEET 13 OF 14			

REVISIONS

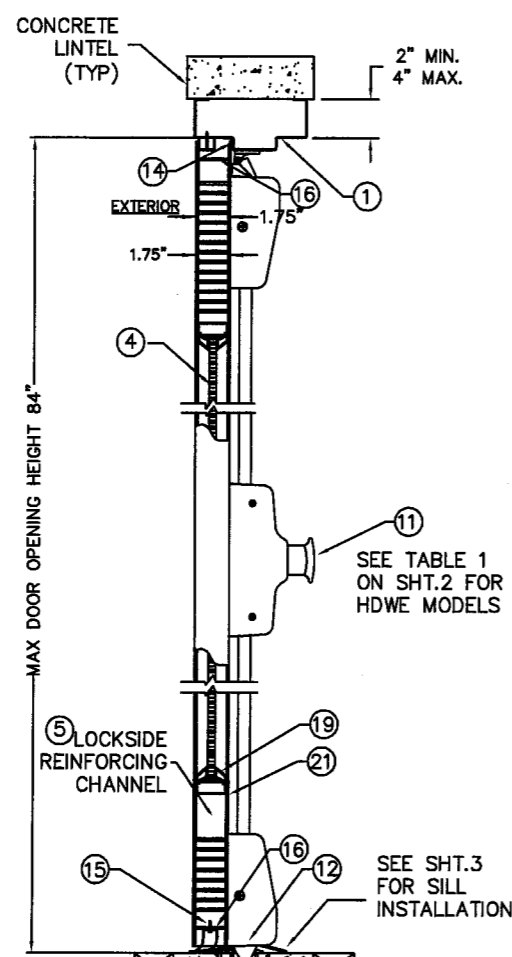
LTR	DESCRIPTION	DATE	APPROVED
A	APPROVAL DWG	YMF 05/20/07	
B	REVISED DWG	RAP 11/26/07	
C	REVISED DWG	RAP 12/14/07	
D	REVISED DWG	YMF 12/14/08	
E	REVISED PER_MDBCCO	YMF 02/05/09	
F	REVISED NEW_NUMBER	YMF 01/04/10	
G	REVISED NEW_NUMBER	YMF 04/08/10	

Gordon Thomas, P.E.
3759 Blossom Court
Mason, OH 45040
Florida # 46718

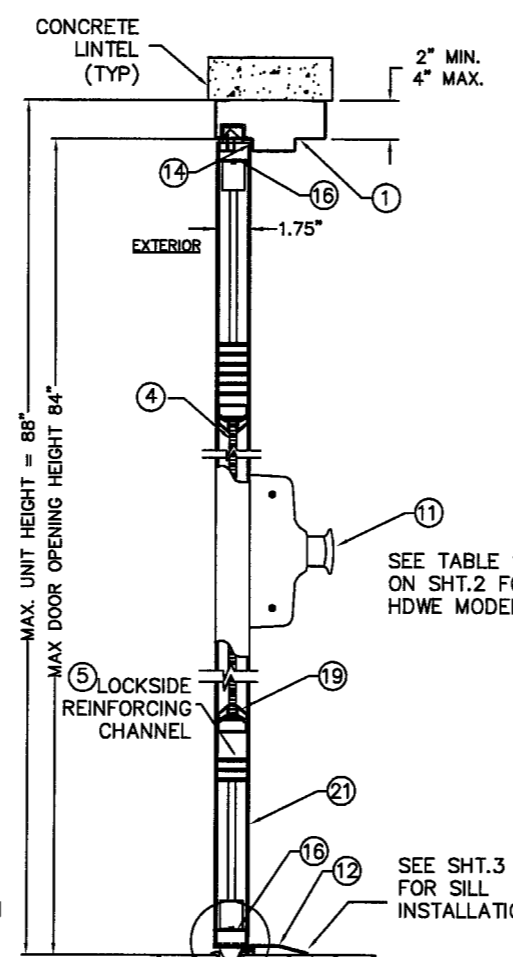
Date: 4/14/10



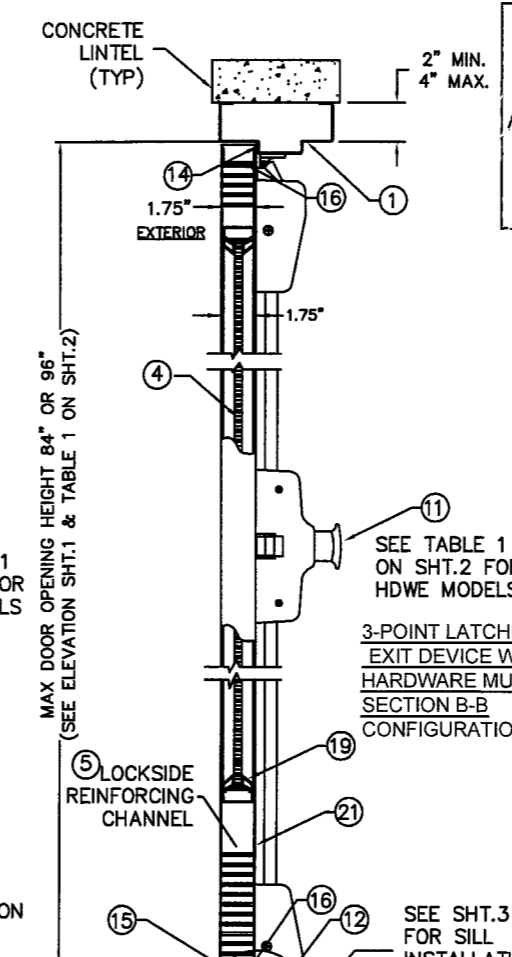
RIM EXIT DEVICE.
SECTION B-B
CONFIGURATIONS 1, 2, 3A, 3B
(SEE SHT.1)



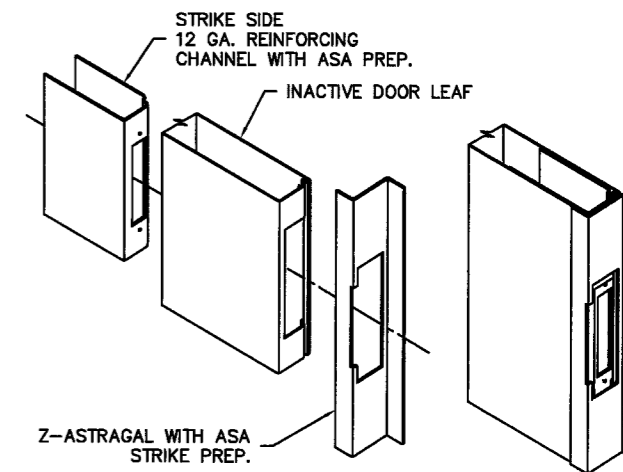
SURFACE VERTICAL ROD
EXIT DEVICE.
SECTION B-B
CONFIGURATION 4 (SEE SHT.1)



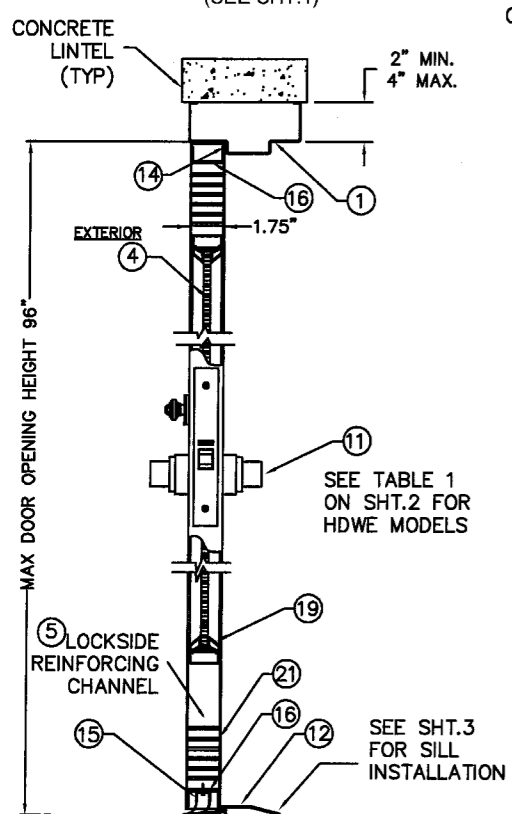
CONCEALED VERTICAL ROD
EXIT DEVICE.
SECTION B-B
CONFIGURATION 5 (SEE SHT.1)



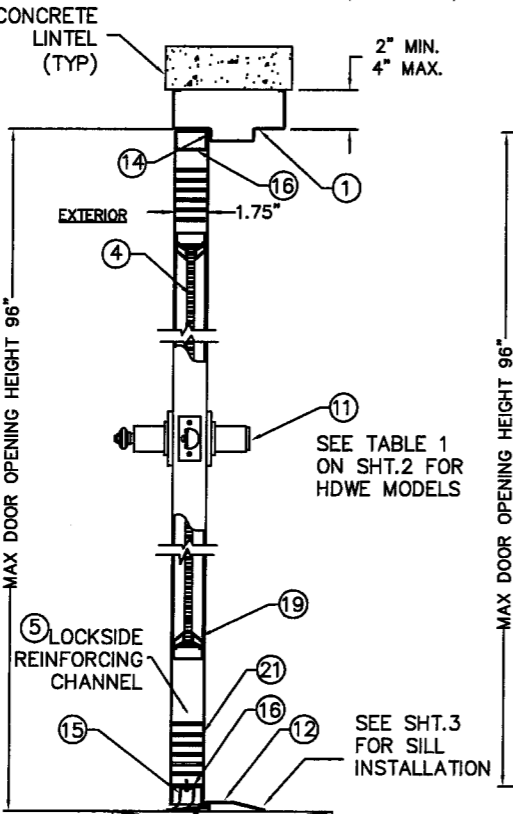
3-POINT LATCHING
EXIT DEVICE WITH
HARDWARE MULLION
SECTION B-B
CONFIGURATIONS 6 & 8 (SEE SHT.1)



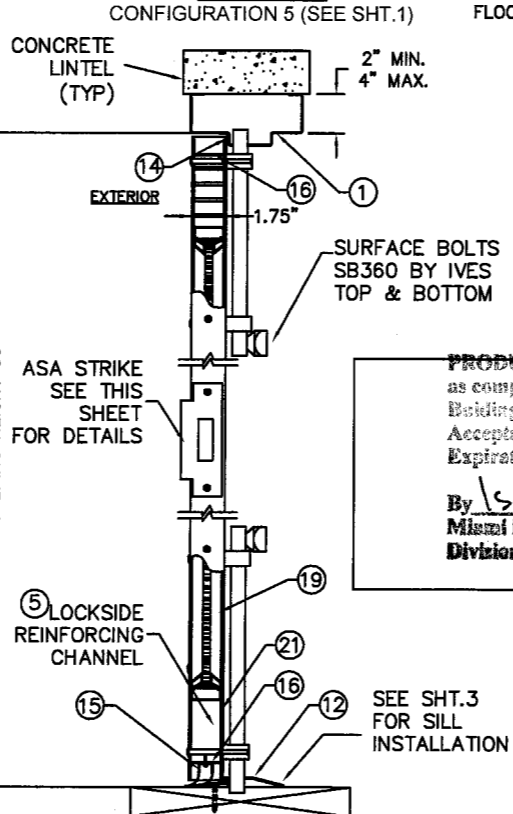
INACTIVE LEAF
ASA STRIKE PREP
AND ASSEMBLY DETAIL



MORTISE LOCKSET.
SECTION B-B
CONFIGURATION 10
(SEE SHT.1)

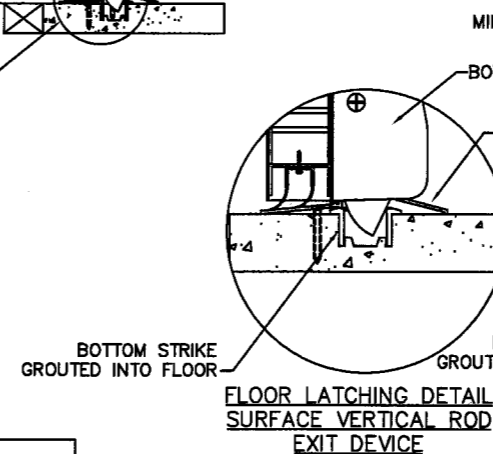


CYLINDRICAL LOCKSET.
SECTION B-B
CONFIGURATION 11
(SEE SHT.1)

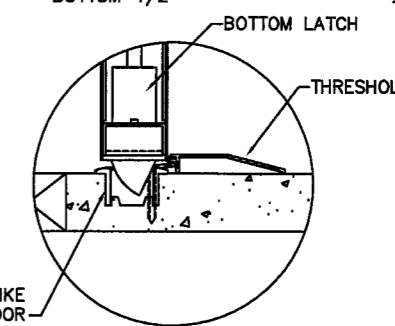


INACTIVE LEAF
SECTION C-C
CONFIGURATIONS 10 & 11
(SEE SHT.1)

PRODUCT REVIEWED
as complying with the Florida
Building Code
Acceptance No. 10-0109-08
Expiration Date MAY 5, 2013
By: Ismael L. Llanos
Miami Dade Product Control
Division



FLOOR LATCHING DETAIL
SURFACE VERTICAL ROD
EXIT DEVICE



FLOOR LATCHING DETAIL
CONCEALED VERTICAL ROD
EXIT DEVICE

- NOTES:
- FOR MAX. DOOR AND UNIT OPENING SIZES SEE ELEVATION SHEET 1 AND TABLE 1 ON SHT. 2 OF 14.
 - GLAZING DETAILS SHOWN ON SHT.8 OF 14. SEE TABLE 8 ON SHT. 8 OF 14 FOR GLAZING OPTIONS, AND SHT.2 FOR MAX DLO LIMITS.
 - SEE SHEET 4 FOR ANCHORS INSTALLATION DETAILS.

BEND RADIUS		<p>Ingersoll Rand Security Technologies</p>	
THIRD ANGLE PROJECTION			
DRAWN YMF	DATE 05/20/07	TITLE MIAMI-DADE PRODUCT APPROVAL	
CHECKED		VERTICAL CROSS SECTIONS FOR GLASS DOUBLE DOORS.	
APPROVED		SIZE	FLAT
ENG. APPVL JPD	11/15/07	DWG NO.	IRGD07
		SCALE:	NTS AUTOCAD
		SHEET	14 OF 14