



MIAMI-DADE COUNTY
BUILDING CODE COMPLIANCE OFFICE (BCCO)
PRODUCT CONTROL DIVISION

MIAMI-DADE COUNTY, FLORIDA
METRO-DADE FLAGLER BUILDING
140 WEST FLAGLER STREET, SUITE 1603
MIAMI, FLORIDA 33130-1563
(305) 375-2901 FAX (305) 375-2908
www.miamidade.gov/buildingcode

NOTICE OF ACCEPTANCE (NOA)

Ingersoll-Rand
6810 Hillsdale Court
Indianapolis, IN 46250

SCOPE:

This NOA is being issued under the applicable rules and regulations governing the use of construction materials. The documentation submitted has been reviewed by Miami-Dade County Product Control Division and accepted by the Board of Rules and Appeals (BORA) to be used in Miami Dade County and other areas where allowed by the Authority Having Jurisdiction (AHJ).

This NOA shall not be valid after the expiration date stated below. The Miami-Dade County Product Control Division (In Miami Dade County) and/or the AHJ (in areas other than Miami Dade County) reserve the right to have this product or material tested for quality assurance purposes. If this product or material fails to perform in the accepted manner, the manufacturer will incur the expense of such testing and the AHJ may immediately revoke, modify, or suspend the use of such product or material within their jurisdiction. BORA reserves the right to revoke this acceptance, if it is determined by Miami-Dade County Product Control Division that this product or material fails to meet the requirements of the applicable building code.

This product is approved as described herein, and has been designed to comply with the Florida Building Code, including the High Velocity Hurricane Zone.

DESCRIPTION: IR Series Double Flush Outswing Commercial Steel Doors w / wo Panic Exit Devices

APPROVAL DOCUMENT: Drawing No "IRF-D07", titled "Flush Outswing Double Doors", sheets 1 through 11 of 11, prepared by the manufacturer, dated 05-27-07 and last revised on 04/14/10, signed and sealed by Thomas Gordon, P.E., bearing the Miami-Dade County Product Control renewal stamp with the Notice of Acceptance number and expiration date by the Miami-Dade County Product Control Division.

MISSILE IMPACT RATING: Large and Small Missile Impact Resistant

Limitations:

1. See Design Pressures, Sizes, Hardware and Water infiltration limitation sheets 1& 2 of the drawings.
2. Expanded foam core options (F) in sheet 4 is limited to EPS by Falcon Corp and Polyisocyanurate -H200 (polyurethane) by Elliott Co.
3. Electrical/Electronic function is not part of this approval, such functions to be reviewed and approved by AHJ.

LABELING: Each unit shall bear a permanent label with the manufacturer's name or logo, city, state and following statement: "Miami-Dade County Product Control Approved", unless otherwise noted herein.

RENEWAL of this NOA shall be considered after a renewal application has been filed and there has been no change in the applicable building code negatively affecting the performance of this product.

TERMINATION of this NOA will occur after the expiration date or if there has been a revision or change in the materials, use, and/or manufacture of the product or process. Misuse of this NOA as an endorsement of any product, for sales, advertising or any other purposes shall automatically terminate this NOA. Failure to comply with any section of this NOA shall be cause for termination and removal of NOA.

ADVERTISEMENT: The NOA number preceded by the words Miami-Dade County, Florida, and followed by the expiration date may be displayed in advertising literature. If any portion of the NOA is displayed, then it shall be done in its entirety.

INSPECTION: A copy of this entire NOA shall be provided to the user by the manufacturer or its distributors and shall be available for inspection at the job site at the request of the Building Official.

This NOA **revises & renews** NOA # **07-0829.03** consists of this page 1 and evidence pages E1, E-2, as well as approval document mentioned above.

The submitted documentation was reviewed by **Ishaq I. Chanda, P.E.**

NOA No 10-0209.06
Expiration Date: May 05, 2015
Approval Date: May 12, 2010
Page 1



4/2/10

Ingersoll-Rand

NOTICE OF ACCEPTANCE: EVIDENCE SUBMITTED

A. DRAWINGS (transferred from file # **07-0829.03**)

1. Manufacturer's parts and sections drawings.
2. Drawing No "**IRF-D07**", titled "Flush Outswing Double Doors", sheets 1 through 11 of 11, prepared by the manufacturer, dated 05-27-07 and last revised on 04/14/10, signed and sealed by Thomas Gordon, P.E.

B. TESTS

1. Test report on

- 1) Uniform Static Air Pressure Test, Loading per TAS 202-94
- 2) Large Missile Impact Test per FBC, TAS 201-94
- 3) Cyclic Wind Pressure Loading per FBC, TAS 203-94
- 4) Forced Entry Test, per PA 202-94

Along with manufacturer's parts and section drawings of double flush outswing steel doors, marked by National Certified Testing Lab, Test Reports No. **NCTL-210- 3580-2**, dated March 25, 2009, signed and sealed by Gerry Ferrara, P. E.

2. Test report (transferred from file # **07-0829.03**)

- 1) Air Infiltration Test, per TAS 202-94
- 2) Uniform Static Air Pressure Test, Loading per TAS 202-94
- 3) Large Missile Impact Test per FBC, TAS 201-94
- 4) Cyclic Wind Pressure Loading per FBC, TAS 203-94
- 5) Forced Entry Test, per PA 202-94

Along with manufacturer's parts and section drawings of double flush outswing steel doors, marked by Certified Testing Lab, Test Reports No(s). **CTLA-776W** dated February 20, 2002, **CTLA-776W1** dated April 25, 2002, **CTLA-776W-2, 3** dated April 20, 2002, **CTLA-1035W-2** dated Feb. 11, 2003, **CTLA-1086-W** dated Nov. 17, 2003, all signed and sealed by Ramesh Patel, P.E.

3. Test report (transferred from file # **07-0829.03**)

- 1) Air Infiltration Test, per TAS 202-94
- 2) Uniform Static Air Pressure Test, Loading per TAS 202-94
- 3) Large Missile Impact Test per FBC, TAS 201-94
- 4) Cyclic Wind Pressure Loading per FBC, TAS 203-94
- 5) Forced Entry Test, per TAS 202-94

Along with manufacturer's parts and section drawings of Flush outswing double steel doors, marked by Certified Testing Lab, Test Reports No(s). **NCTL-210-3357-1** dated Dec 28, 2006, signed and sealed by Gerard J. Ferrara, P.E.

4. Additional test reports

- 1) Uniform Static Air Pressure Test, Loading per FBC TAS 202-94.
- 2) Water Resistance Test per FBC TAS 202-94

Along with marked-up drawings and installation diagram of double steel commercial doors, prepared by National Certified Testing Laboratories Inc., Test Report No. **NCTL-210-03-0514-11**, dated August 31, 2004, **NCTL- 210-3044-1**, dated August 31, 2004, **NCTL- 210-3549-1**, dated August 26, 2008 and **NCTL- 210-3511-1** dated 04/09/08, all signed and sealed by Gerard J. Ferrara, P. E.

Note: Test report No(s): **NCTL210-3549-1** and **NCTL-210-3511-1** have been revised by an addendum letter, issued by Lab, dated Feb. 04, 2009, signed & sealed by Gerard J. Ferrara, P. E.

Ishaq I. Chanda

Ishaq I Chanda, P.E.

Product Control Examiner

NOA No 10-0209.06

Expiration Date: May 05, 2015

Approval Date: May 12, 2010

Ingersoll-Rand

NOTICE OF ACCEPTANCE: EVIDENCE SUBMITTED

C. CALCULATIONS: (transferred from file # 07-0829.03)

1. Anchor verification, dated 12/18/2007 and last revised on 06/18/2008, prepared, signed & sealed by Thomas Gordon., P.E.
2. Evaluation report for Hinges dated 09/01/04, prepared, signed & sealed by Thomas Gordon., P.E.

D. QUALITY ASSURANCE BY;

1. Miami-Dade County Building Code Compliance Office (BCCO).

E. MATERIAL CERTIFICATIONS (Photo copies from files # listed below)

1. Test Report No. **03NK2370/R145081**, January 21, 2003, issued by Underwriters laboratories Inc for "Surface Burning Characteristics of Building material" per ASTM E84-00a and self Ignition per ASTM 1929D for "Elfoam H200", issued to Elliott Co. of Indianapolis Inc.
2. Tensile test report # CTLA-776W (0194H), dtd 02/25/02 prepared by CTL Architectural Division, sheet samples, tested per ASTM E8, signed & sealed by Ramesh Patel, P.E.
3. Tensile Test report No. A103W1-Test 1, 2 & 3 dated 23 APR 03 per ASTM E-8 for steel face sheet, prepared by Certified Testing laboratory, signed and sealed by Ramesh Patel, P.E.
4. Test Report No. **NER-384**, reissued dated May 01, 1994, issued by National Evaluation Service Inc to Huntsman Chemical Corporation for "Expanded Polystyrene EPS" for grade 86 & grade 54 for "Surface Burning Characteristics of Building material" per ASTM E 84.
5. Test Report No. **9691**, dated August 28, 1987, 1994, issued by United Testing Company Inc. to Huntsman Chemical Corporation for "Expanded Polystyrene EPS" for grade 86 & 54 for "Self Ignition Temperature Test" per ASTM D-1929.
6. Test Report No. **R16529**, July 29, 2005, issued by Underwriters laboratories Inc for foamed plastic for "Surface Burning Characteristics of Building material" per ASTM E84 and self Ignition per ASTM 1929D for "BRYX-R16529", issued to Falcon Foam, Division of Atlas Roofing Corp.

F. STATEMENTS

1. Letter of conformance to FBC 2007 & "No financial interest" dated Feb. 03, 2010, signed and sealed by Gordon Thomas, P.E.
2. Laboratory Statement of compliance, part of the above referenced test reports
3. Letter of certification dated 04/20/10, issued by Ingersoll-Rand for electronic CO lock series mechanical /functional parts same as AD, ND and AD-M series.
4. Letter of commitment dated 04/21/10 issued by Ingersoll-Rand for additional tests for butt & continuous Hinges in near future, signed by Yuri Farber.

G. OTHER

1. This NOA **revises & renews** NOA # **07-0829.03**, expiring May 05, 2015.
2. Previously consolidates NOA #(s) associated with this files are 07-0829.03, 02-0712.01, 02-0712.03, 03-0908.03 and 04-0203.03, latest expiring May 05, 2010.
3. Consolidation Test proposal # **06-2468**, dated 04/27/07 approved by BCCO.
4. IR Locks & Panic devices brochures / catalogs supplied by manufacturer.

Ishaq I. Chanda

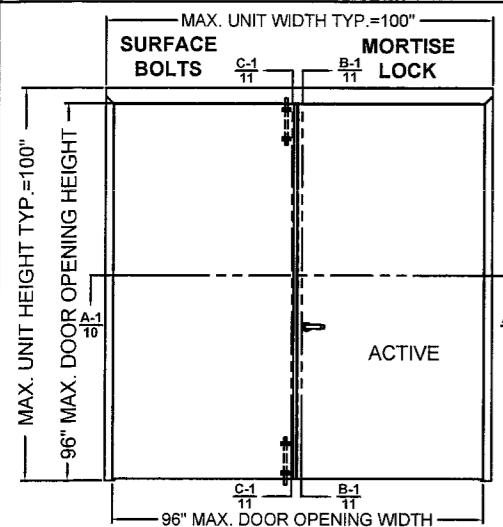
Ishaq I Chanda, P.E.

Product Control Examiner

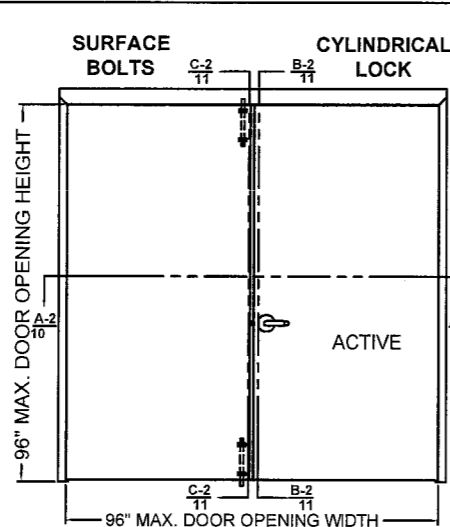
NOA No 10-0209.06

Expiration Date: May 05, 2015

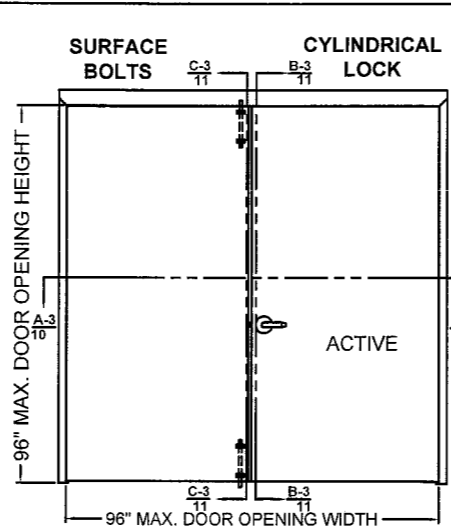
Approval Date: May 12, 2010



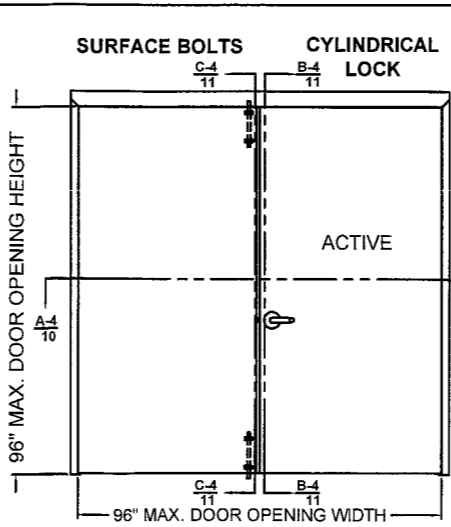
DESIGN PRESSURE RATING, PSF	
WHERE WATER INFILTRATION REQUIREMENT IS NEEDED	WHERE WATER INFILTRATION REQUIREMENT IS NOT NEEDED
±75	±75
SEE TABLE 3 ON SHT. 5	SEE TABLE 4 ON SHT. 5



DESIGN PRESSURE RATING, PSF	
WHERE WATER INFILTRATION REQUIREMENT IS NEEDED	WHERE WATER INFILTRATION REQUIREMENT IS NOT NEEDED
±55	±55
SEE TABLE 3 ON SHT. 5	SEE TABLE 4 ON SHT. 5



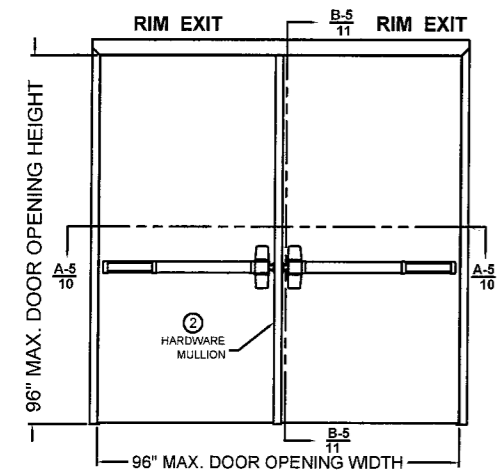
DESIGN PRESSURE RATING, PSF	
WHERE WATER INFILTRATION REQUIREMENT IS NEEDED	WHERE WATER INFILTRATION REQUIREMENT IS NOT NEEDED
±65	±65
SEE TABLE 3 ON SHT. 5	SEE TABLE 4 ON SHT. 5



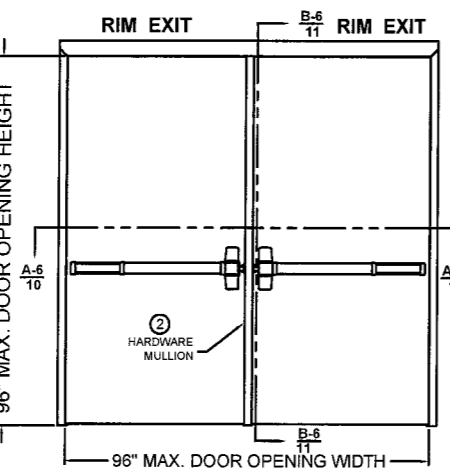
DESIGN PRESSURE RATING, PSF	
WHERE WATER INFILTRATION REQUIREMENT IS NEEDED	WHERE WATER INFILTRATION REQUIREMENT IS NOT NEEDED
±75	±75
SEE TABLE 3 ON SHT. 5	SEE TABLE 4 ON SHT. 5

[Signature]
 Gordon Thomas, P.E.
 3759 Blossom Court
 Mason, OH 45040
 Florida # 46718
 Date

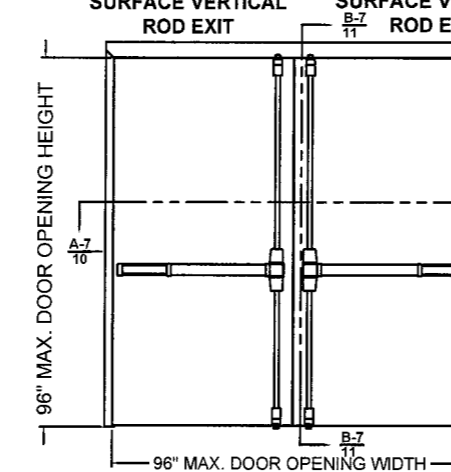
REVISIONS			
LTR	DESCRIPTION	DATE	APPROVED
A	APPROVAL DWG	YMF 05/20/07	
B	REVISED DWG	RAP 10/12/07	
C	REVISED DWG	RAP 12/03/07	
D	REVISED DWG	YMF 01/15/08	
E	REVISED DWG	YMF 02/28/08	
F	REVISED DWG	YMF 05/30/08	
G	REVISED PER_MDBCCD	YMF 02/06/09	
H	REVISED DWG	YMF 02/01/10	
J	REVISED DWG	YMF 04/06/10	



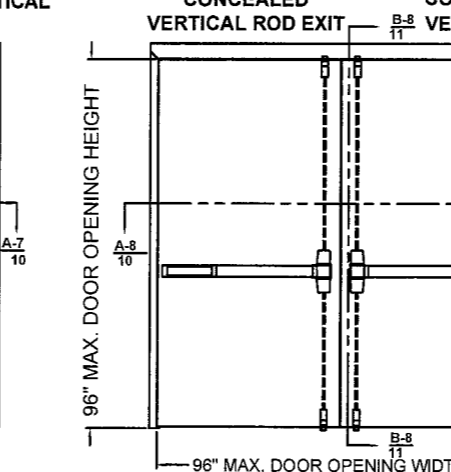
DESIGN PRESSURE RATING, PSF	
WHERE WATER INFILTRATION REQUIREMENT IS NEEDED	WHERE WATER INFILTRATION REQUIREMENT IS NOT NEEDED
±75	±90
SEE TABLE 3 ON SHT. 5	SEE TABLE 4 ON SHT. 5



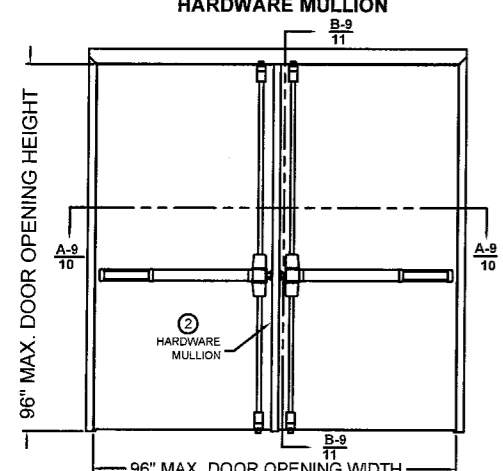
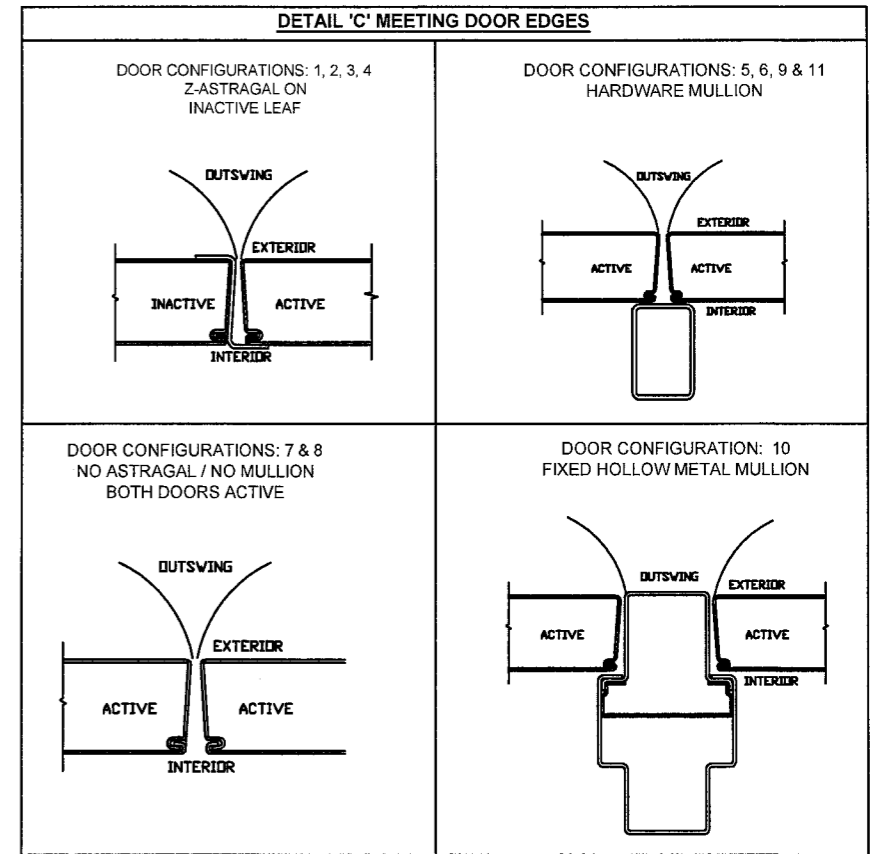
DESIGN PRESSURE RATING, PSF	
WHERE WATER INFILTRATION REQUIREMENT IS NEEDED	WHERE WATER INFILTRATION REQUIREMENT IS NOT NEEDED
±70	±70
SEE TABLE 3 ON SHT. 5	SEE TABLE 4 ON SHT. 5



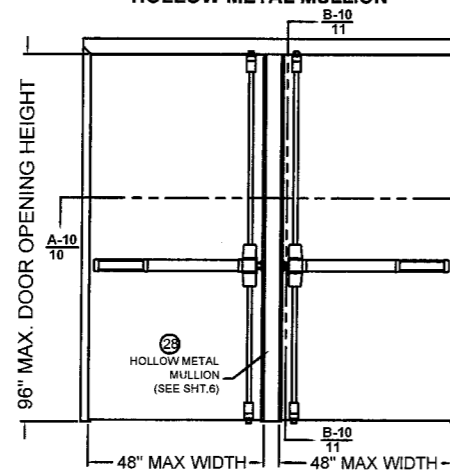
DESIGN PRESSURE RATING, PSF	
WHERE WATER INFILTRATION REQUIREMENT IS NEEDED	WHERE WATER INFILTRATION REQUIREMENT IS NOT NEEDED
±70	±70
SEE TABLE 3 ON SHT. 5	SEE TABLE 4 ON SHT. 5



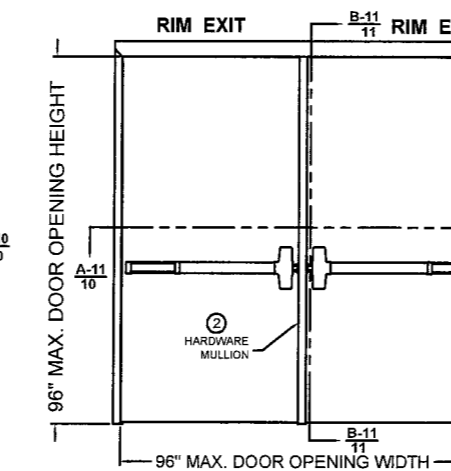
DESIGN PRESSURE RATING, PSF	
WHERE WATER INFILTRATION REQUIREMENT IS NEEDED	WHERE WATER INFILTRATION REQUIREMENT IS NOT NEEDED
±70	±70
SEE TABLE 3 ON SHT. 5	SEE TABLE 4 ON SHT. 5



DESIGN PRESSURE RATING, PSF	
WHERE WATER INFILTRATION REQUIREMENT IS NEEDED	WHERE WATER INFILTRATION REQUIREMENT IS NOT NEEDED
±70	±70
SEE TABLE 3 ON SHT. 5	SEE TABLE 4 ON SHT. 5



DESIGN PRESSURE RATING, PSF	
WHERE WATER INFILTRATION REQUIREMENT IS NEEDED	WHERE WATER INFILTRATION REQUIREMENT IS NOT NEEDED
±70	±70
SEE TABLE 3 ON SHT. 5	SEE TABLE 4 ON SHT. 5



DESIGN PRESSURE RATING, PSF	
WHERE WATER INFILTRATION REQUIREMENT IS NEEDED	WHERE WATER INFILTRATION REQUIREMENT IS NOT NEEDED
+70/-55	+70/-55
SEE TABLE 3 ON SHT. 5	SEE TABLE 4 ON SHT. 5

PRODUCT RENEWED
 as complying with the Florida Building Code
 Acceptance No. 10-0209-06
 Expiration Date MAY 5, 2015
 By Ishag L. Lhant
 Miami Dade Product Control Division

- NOTES:**
1. INTERIOR VIEWS ARE SHOWN FOR ALL ELEVATIONS
 2. SEE TABLE 1 ON SHEET 2 FOR HARDWARE APPLICATIONS AND LIMITATIONS
 3. SEE SHEET 3 FOR HINGE REQUIREMENTS
 4. SEE SHEET 4 FOR ANCHORING TYPES AND LIMITATIONS
 5. SEE SHEET 5 FOR WEATHERSTRIPPING INSTALLATION DETAILS AND LIMITATIONS

BEND RADIUS		Ingersoll Rand Security Technologies	
THIRD ANGLE PROJECTION			
DRAWN	DATE	TITLE MIAMI-DADE PRODUCT APPROVAL	
YMF	05/20/07	Ingersoll Rand FLUSH OUTSWING, DOUBLE DOORS AND HARDWARE CONFIGURATIONS.	
CHECKED		SIZE	FLAT
APPROVED		DWG NO.	IRFD07
ENG. APPVL	10/12/07	SCALE	NTS
JPD		AUTOCAD	
		SHEET	1 OF 11

TABLE 1.

Door Configuration	Maximum Design Pressure, PSF		Maximum Door Opening Size, in.		Locking Hardware Description				Comments
	Positive	Negative	Width	Height	Hardware Family	Model/Series	Strike Models	IR Brand	
1	75	75	96	96	Mortise Lock	L/LV9400/AD MS	10-072	Schlage	Function with deadbolt, 3/4" min. throw latch & 1" min throw deadbolt
						M	ANSI	Falcon	
						5500	ANSI	Locknetics/Schlage	w/autobolt, 3/4" min. throw
2	55	55	96	96	Cylindrical Lock	AL	10-025	Schlage	1/2" throw latch
3	65	65	96	96	Cylindrical Lock	D/ND/AD CYL	10-025	Schlage	1/2" throw latch
4	75	75	96	96	Cylindrical Lock	D/ND/AD CYL	10-025	Schlage	3/4" throw latch
						T	ANSI	Falcon	3/4" throw latch
						5100	ANSI	Locknetics/Schlage	3/4" throw latch
5	90 SEE NOTE 4.	90 SEE NOTE 4.	96	96	Rim Exit Device	XP 98/99(F)	909/954	Von Duprin	for pairs use (KR)9954 mullion by Von Duprin
6	70	70	96	96	Rim Exit Device	98/99(F)	299F/499F	Von Duprin	for pairs use (KR)9954 mullion by Von Duprin
						88-F	268	Von Duprin	
						(F)DL-18-R	F570	Monarch	
7	70	70	96	96	Surface Vertical Rod Exit Device	98/9927(F)	299F/499F Top, 304L/248L4 Bottom	Von Duprin	
						(F)18-V	3788 Top, 2130 Bottom	Monarch	
						(F)25-V	3788 Top, 2130 Bottom	Falcon	
8	70	70	96	96	Concealed Vertical Rod Exit Device	98/9947-F	338 Top, 385A Bottom	Von Duprin	
						F-18-C	4188 Top, 2130 Bottom	Monarch	
						F-25-C	4188 Top, 2130 Bottom	Falcon	
9	70	70	96	96	Three-Point Latching Device	98/9957(F)	299F/499F Top/Middle, 304L/248L4 Bottom	Von Duprin	for pairs use (KR)9954 mullion by Von Duprin
10	70	70	48	96		98/9957(F)	299F/499F Top/Middle, 304L/248L4 Bottom	Von Duprin	See note #2
11	70	55	96	96	Rim Exit Device	(F)25-R	299F/499F	Falcon	for pairs use (KR)9954 mullion by Von Duprin


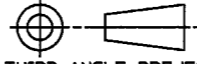
REVISIONS

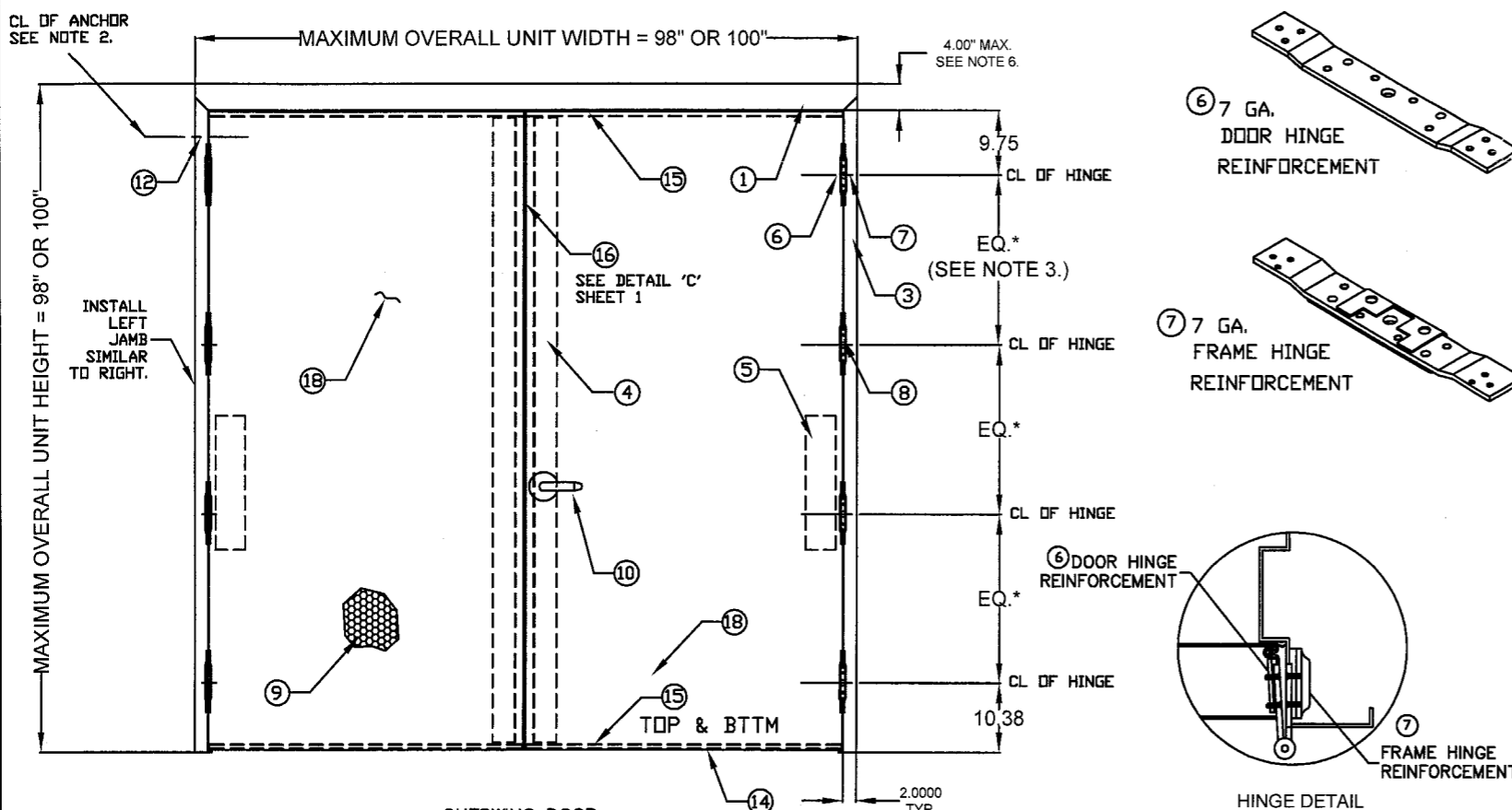
LTR	DESCRIPTION	DATE	APPROVED
A	APPROVAL DWG	YMF 05/20/07	
B	REVISED DWG	RAP 10/12/07	
C	REVISED DWG	RAP 12/03/07	
D	REVISED DWG	YMF 01/16/08	
E	REVISED DWG	YMF 02/28/08	
F	REVISED DWG	YMF 05/30/08	
G	REVISED PER_MDBCCO	YMF 02/06/09	
H	REVISED DWG	YMF 03/18/09	
J	REVISED DWG	YMF 04/06/10	

Gordon Thomas 4/14/10
 Gordon Thomas, P.E. Date
 3759 Blossom Court
 Mason, OH 45040
 Florida # 46718

PRODUCT RENEWED
 as complying with the Florida Building Code
 Acceptance No. 10-0209-06
 Expiration Date MAY 5, 2015
 By Ishay L. Llanza
 Miami Dade Product Control Division

- NOTES:**
- FOR DOOR CONFIGURATIONS 1, 2, 3, & 4, INACTIVE LEAF REQUIRES IVES SB360 SURFACE BOLTS IN TOP AND BOTTOM
 - DOOR CONFIGURATION 10 IS USING FIXED HOLLOW METAL MULLION BETWEEN TWO DOORS
 - SEE SHEETS 6, 7 & 8 FOR LOCKING HARDWARE AND HARDWARE MULLION DETAILS
 - DOOR CONFIGURATION 5 IS RATED FOR MAXIMUM DESIGN PRESSURE ±90 PSF WHEN WATER INFILTRATION REQUIREMENT IS NOT NEEDED, WHEN WATER INFILTRATION REQUIREMENT IS NEEDED, IT IS RATED UP TO +75 PSF WHEN USED WITH SEALS BY ZERO INTERNATIONAL AND NATIONAL GUARD PRODUCTS (NGP) (SEE TABLE 3 ON SHT.5)
 - SCHLAGE AL-SERIES CYLINDRICAL LOCK (door configuration 2) IS LIMITED TO ±55 PSF MAXIMUM DESIGN PRESSURE

BEND RADIUS				Ingersoll Rand Security Technologies	
					
THIRD ANGLE PROJECTION		TITLE MIAMI-DADE PRODUCT APPROVAL			
DRAWN YMF	DATE 05/20/07	FLUSH OUTSWING DOORS AND HARDWARE CONFIGURATIONS IR COMMERCIAL DOOR OPENING DOUBLE FLUSH DOORS.			
CHECKED		SIZE	FLAT	DWG NO.	REV
APPROVED				IRFD07	J
ENG. APPVL JPD	10/12/07	SCALE	NTS	AUTOCAD	SHEET 2 OF 11



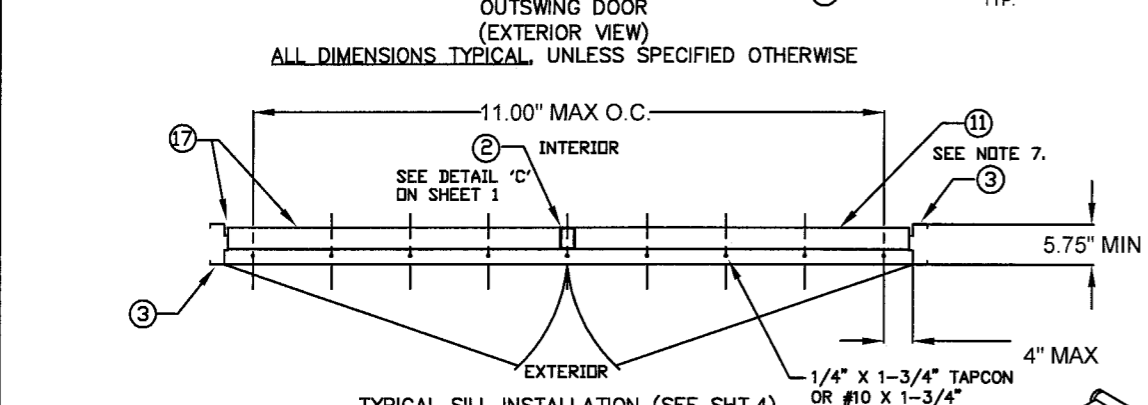
Ap/ls 9/14/10
 Gordon Thomas, P.E.
 3759 Blossom Court
 Mason, OH 45040
 Florida # 46718

PRODUCT RENEWED
 as complying with the Florida
 Building Code
 Acceptance No. *10-0209-06*
 Expiration Date *MA 15 2015*
 By *Shayl. L...*
 Miami Dade Product Control
 Division

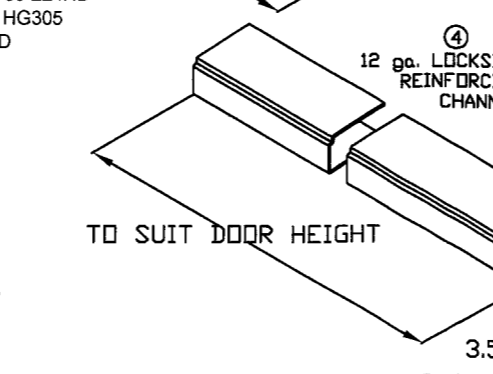
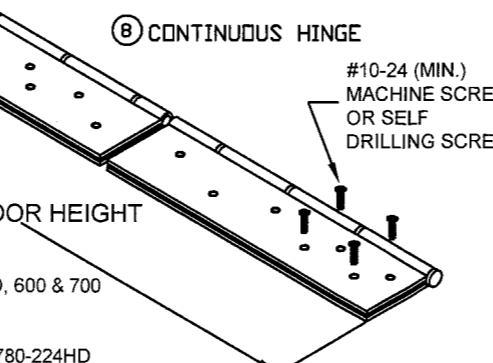
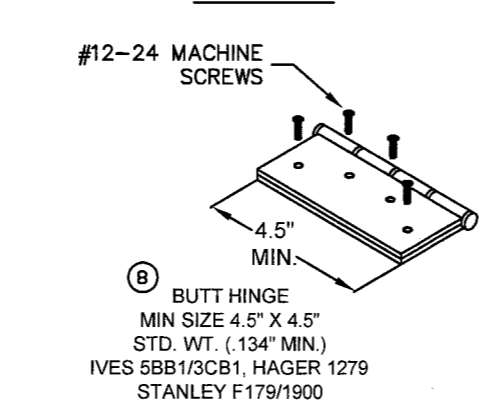
REVISIONS				
LTR	DESCRIPTION	DATE	APPROVED	
A	APPROVAL DWGS.	YMF	05/20/07	
B	REVISED DWGS.	RAP	10/12/07	
C	REVISED DWGS.	RAP	12/03/07	
D	REVISED DWGS.	YMF	01/16/08	
E	REVISED DWGS.	YMF	02/28/08	
F	REVISED DWGS.	YMF	05/30/08	
G	REVISED PER_MDBCCO	YMF	02/06/09	
H	REVISED DWG	YMF	02/01/10	
J	REVISED DWG	YMF	04/06/10	

TABLE 2

QTY	DESCRIPTION	MATERIAL	SIZE
1	HEAD SEE SHT 6 ASTM A366	.053" MIN. STL	MAX. 100"
2	VON DUPRIN (KR) 9954 HDWE MULLION USED W/RIM HDWE	.123" A500 STL	MAX. 96" HEIGHT.
3	HINGE JAMB SEE SHT 6 ASTM A366	.053" MIN. STL	MAX. 100" HEIGHT.
4	LOCK SIDE REINFORCEMENT CHANNEL	.093" MIN. STL	3.5 X 93.44 MAX
5	HINGE SIDE PANIC REINFORCEMENT	.067" MIN. STL	MAX. 20"
6	NOTE 3. HINGE REINFORCEMENT DOOR ASTM A621	.167" MIN. STL	1.28" X 9.19"
7	NOTE 3. HINGE REINFORCEMENT FRAME ASTM A621	.167" MIN. STL	1.3" X 9.187" MAX.
8	NOTE 3. 4.5' X 4.5' BUTT HINGES (SEE SHT.3)	.134 MIN.	(8) #12-24 MS PER HINGE
9	NOTE 3. OPTIONAL CONTINUOUS HINGE (SEE SHT.3)	.067" MIN. STL/.12 ALUM	MAX. 95"
10	2 CORE MATERIAL (SHT 4) A) HONEYCOMB B) STEEL STIFFENED C) POLYSTYRENE D) POLYURETHANE/POLYISOCYANURATE E) MINERAL BOARD TEMPERATURE RISE CORE		
11	1 THRESHOLD SILL W/BUMPER GASKET (SEE TAB. 3&4 ON SHT.5)	.100" ALUM. 6063 T5	5.50"X0.5"X96"MAX.
12	NOTE 2. JAMB ANCHOR ASTM A924	SEE SHEET 6	
13	NOTE 14. PSD74 WEATHER STRIPPING	TPE	MAX. 24'
14	2 FAS-SEAL DOOR SWEEP	TPE	MAX. 47.66'
15	4 END CHANNEL ASTM A924 (14 GA - INVERTED)		.69' X 1.66' X 47.66' MAX.
16	1 SPLIT ASTRAGAL SET OR Z-ASTRAGAL (NOT REQ'D WITH HOLLOW METAL MULLION)	SEE SHEET 5	
17	AS NEEDED BUTYL RUBBER OR 100% SILICONE		
18	2 DOOR SLAB (16 OR 14 GA)	SEE SHEET 6	4' X 8' MAX.
19	1 BY ZERO INT'L DOOR SEAL No.8144FS	SEE NOTE 13.	TPE MAX. 24'
20	2 BY ZERO INT'L DOOR SWEEP No.539		
21	2 BY ZERO INT'L DOOR SWEEP No.202N		
22	2 BY ZERO INT'L DOOR SWEEP No.139		
23	2 BY ZERO INT'L ADJUSTABLE STOP No.475		
24	2 BY ZERO INT'L ADJUSTABLE STOP No.170N		
25	2 BY ZERO INT'L RAIN DRIP No.11	SEE SHEET 5	MAX. 48'
26	2 BY ZERO INT'L DRIP CAP No.16A		
27	2 TOP CAP GALV. A60 ASTM A924	.020" MIN. STL	0.5' X 1.76' X 48' MAX.
28	2 IVES 360 12" SURFACE BOLT		
29	1 ASA STRIKE		
30	1 Z-ASTRAGAL	.067" MIN. STL	MAX. 95.5
31	1 HOLLOW METAL MULLION (SINGLE OR DOUBLE RABBET)	SEE SHEET 6	MAX. 96"



- NOTES:
- WEATHERSTRIPPING - INSTALL PER SHT.5.
 - ANCHOR REQUIREMENTS: SEE SHEET 4 FOR APPROVED ANCHOR INSTALLATION REQUIREMENTS. WHEN FOUR-SIDED FRAME IS USED SILL FRAME SECTION ANCHORED PER SILL DETAIL ON THIS SHEET.
 - HINGE REQUIREMENTS: FOR DOOR OPENING UP TO 90" HIGH - MIN. (3) HINGES FOR DOOR OPENING OVER 90" - 96" HIGH - MIN. (4) HINGES LOCATIONS: 9.75" FROM RABBET IN HEAD TO CL OF TOP HINGE 10.38" FROM FLOOR TO CL OF BOTTOM HINGE, EQUALLY SPACED IN BETWEEN.
 - SEE SHEET 6 FOR AVAILABLE STANDARD OPENING SIZES AND SPECIFICATIONS.
 - HARDWARE INSTALLATION AS PER MANUFACTURER'S INSTRUCTIONS, AS APPROVED PER THIS NOA.
 - 4" FACE HEAD IS AVAILABLE.
 - APPLY CAULK AS NEEDED.
 - SEE SHEET 10 FOR SECTION A-A, SEE SHEET 11 FOR SECTIONS B-B AND C-C.
 - EXIT HARDWARE OPTIONS: FOR 98/99 & XP98/99 SERIES - FUNCTIONS E, RX, LX, SS, EL, CX, F TRIM: ALL APPLICABLE TRIMS AVAILABLE. FOR 88-F SERIES - FUNCTION E TRIM: ALL APPLICABLE TRIMS AVAILABLE. PN MODEL OFFERED. FOR 2670 GUARD-X TRIM: ALL APPLICABLE TRIMS AVAILABLE. FOR 18-R, 18-C & 18-V SERIES - FUNCTIONS DL, EA, HWEA, DE, ELR F, DM, LM, AE, LK & SM FOR 25-R, 25-C & 25-V SERIES - FUNCTIONS DM,LM, KOR, ED, EL, EA, FSA, FSE, HWEA TRIM: ALL APPLICABLE TRIMS AVAILABLE.
 - PN MODEL OFFERED.
 - ELECTRICAL INSTALLATION IS UNDER SEPARATE APPROVAL AND MUST BE REVIEWED BY CORRESPONDING AUTHORITY.
 - OPTIONAL POWER TRANSFERS, MONITORING SWITCHES, SUPPLEMENTARY MAGNETIC LOCKS MAY BE USED AS ALLOWED BY CODE AND IT DOES NOT EFFECT THE MECHANICAL PROPERTIES OF EXIT DEVICE AND/OR INHIBIT EGRESS.
 - ITEMS 19 THROUGH 23 REQUIRED ONLY IF WATER INFILTRATION IS NEEDED.
 - QUANTITY WILL INCREASE WHEN USED WITH HOLLOW METAL MULLION. SEE SHT 6 FOR DETAILS.



BEND RADIUS

THIRD ANGLE PROJECTION

DRAWN: YMF DATE: 05/20/07

CHECKED:

APPROVED:

ENG. APPVL: JPD DATE: 10/12/07

IR Ingersoll Rand
 Security Technologies

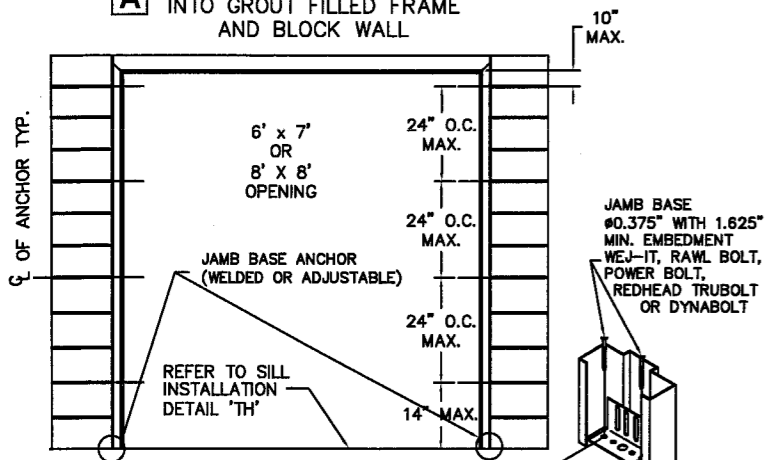
TITLE MIAMI-DADE PRODUCT APPROVAL

H-SERIES FLUSH DOUBLE DOORS
 OUTSWING CONFIGURATIONS
 IR HARDWARE.

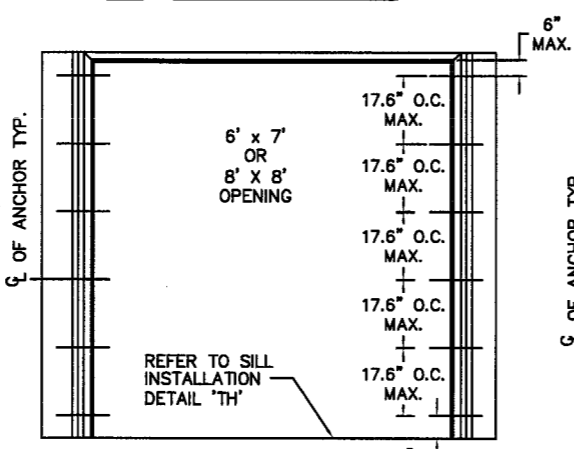
SIZE: FLAT DWG NO.: IRFD07 REV: J

SCALE: NTS AUTOCAD SHEET 3 OF 11

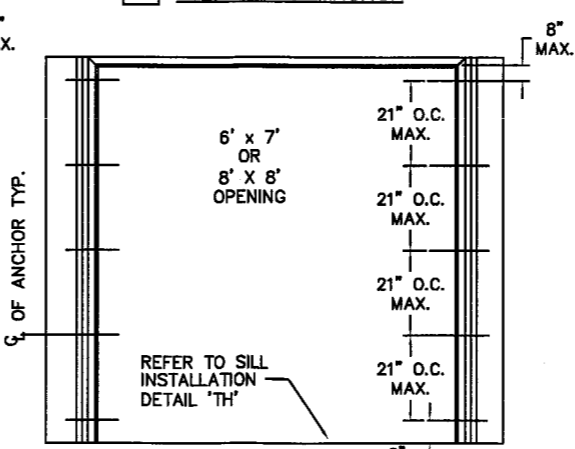
A WIRE MASONRY ANCHOR INTO GROUT FILLED FRAME AND BLOCK WALL



B WOOD STUD ANCHOR

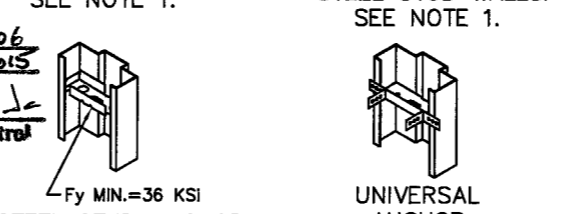
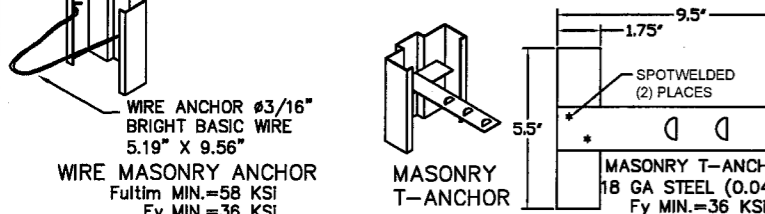
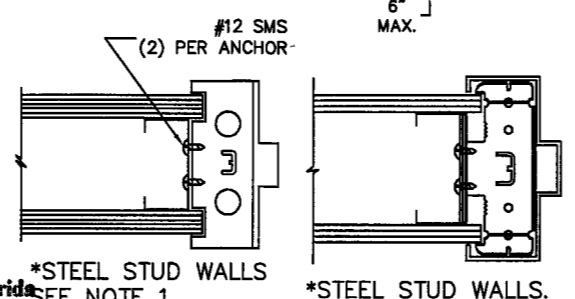
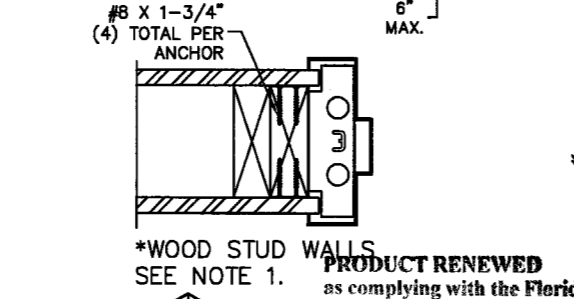
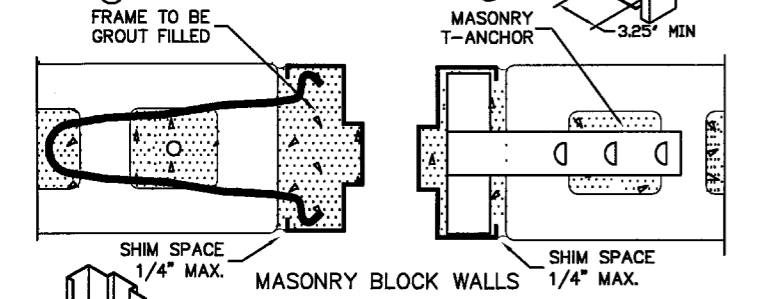


C STEEL STUD ANCHOR



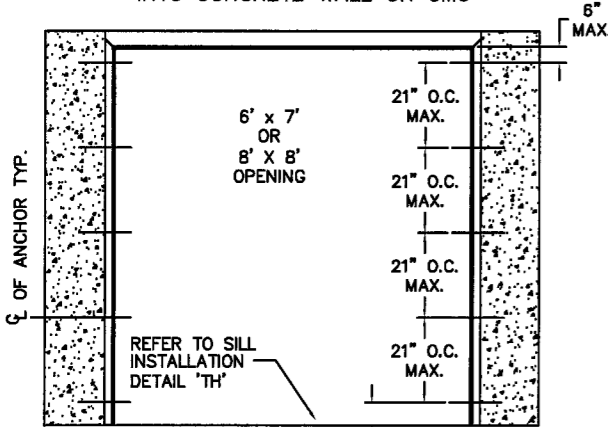
ATL 9/14/10
 Gordon Thomas, P.E.
 3759 Blossom Court
 Mason, OH 45040
 Florida #46718

REVISIONS				
LTR	DESCRIPTION	DATE	APPROVED	
A	APPROVAL DWG	YMF	05/20/07	
B	REVISED DWG	RAP	10/12/07	
C	REVISED DWG	RAP	12/03/07	
D	REVISED DWG	YMF	01/17/08	
F	REVISED DWG	YMF	05/30/08	
G	REVISED PER_MDBCCD	YMF	02/06/09	
H	REVISED DWG	YMF	03/18/09	
J	REVISED DWG	YMF	04/06/10	

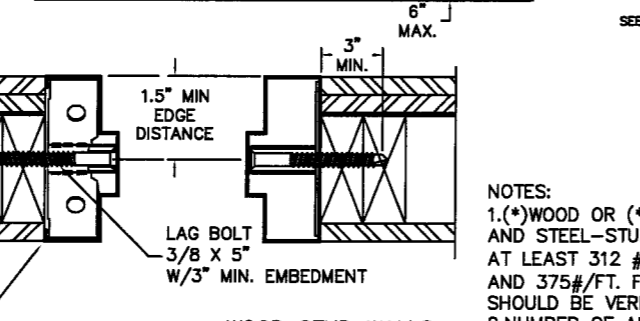
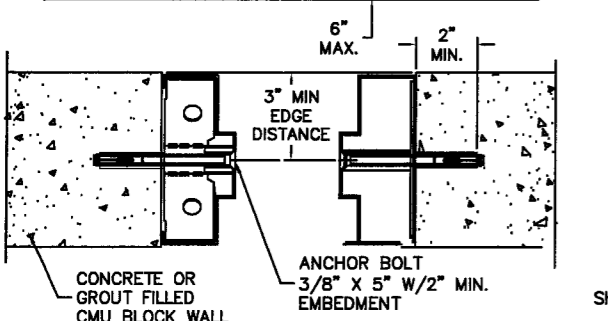
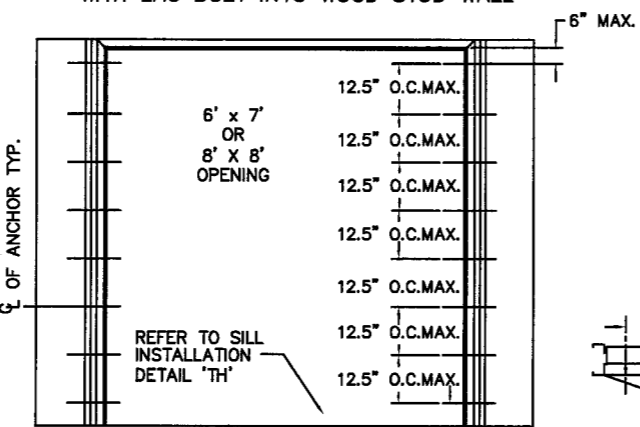


PRODUCT RENEWED
 as complying with the Florida Building Code
 Acceptance No. 10-0209-06
 Expiration Date: MAY 5, 2015
 By Ishag J. Chande
 Miami Dade Product Control Division

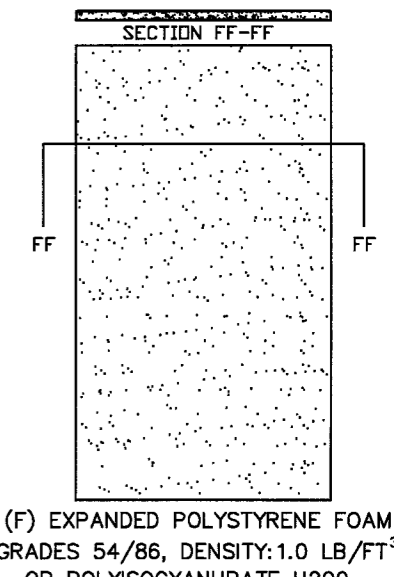
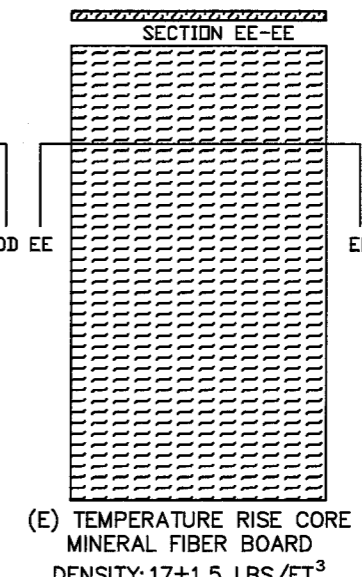
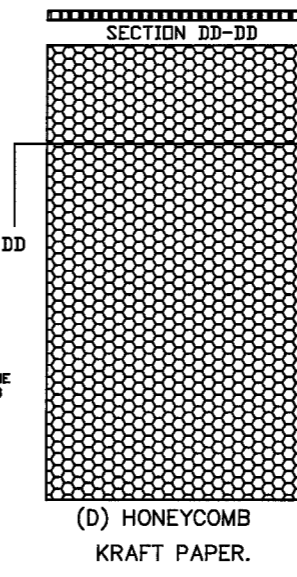
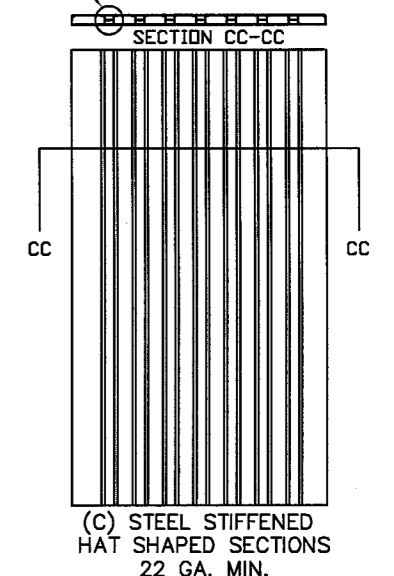
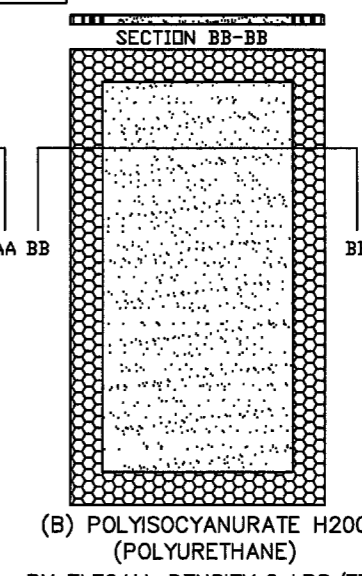
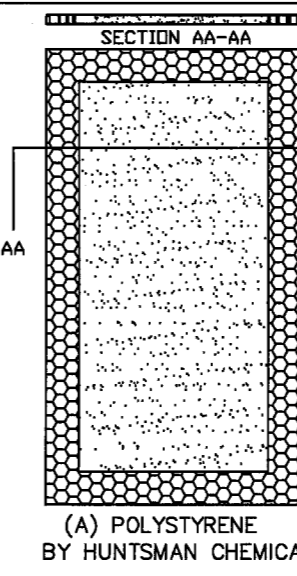
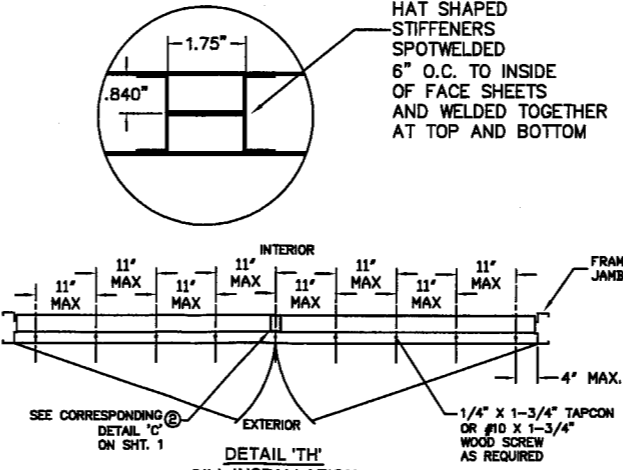
D EXISTING MASONRY ANCHOR (EMA) INTO CONCRETE WALL OR CMU



E EXISTING MASONRY ANCHOR (EMA) WITH LAG BOLT INTO WOOD STUD WALL



DETAIL 'V'



- NOTES:**
- (*)WOOD OR (*)STEEL STRUCTURAL MEMBERS OF WOOD AND STEEL-STUD WALLS MUST BE DESIGNED TO CARRY AT LEAST 312 #/FT. LOAD FOR ASSEMBLIES RATED @ 75 PSF, AND 375#/FT. FOR ASSEMBLIES RATED @ 90 PSF, WHICH SHOULD BE VERIFIED BY THE APPROPRIATE OFFICIAL.
 - NUMBER OF ANCHORS FOR VARIOUS OPENING HEIGHTS IS LIMITED BY MAXIMUM DISTANCE BETWEEN ANCHORS, SHOWN ON THIS SHEET.
 - CORE MATERIAL SHOWN WITHOUT DOOR CUTOUTS AND REINFORCEMENTS.
 - APPLY CAULK AS NEEDED.
 - FOR SILL INSTALLATION AND ANCHORING SEE SHT 3 & 4.

BEND RADIUS				TITLE MIAMI-DADE PRODUCT APPROVAL	
THIRD ANGLE PROJECTION				ANCHOR DETAILS / INSTALLATION CONDITIONS	
DRAWN	DATE	SIZE	FLAT	DWG NO.	REV
YMF	05/20/07	NTS	AUTOCAD	IRFD07	J
CHECKED		SCALE		SHEET	4 OF 11
APPROVED					
ENG. APPVL	10/12/07				
JPD					

TABLE 3.

PERIMETER SEAL HARDWARE WHEN WATER INFILTRATION REQUIREMENT DOES APPLY					
ITEM NUMBER SHT. 3. TABLE 2	DESCRIPTION	MAX. ALLOWABLE DESIGN PRESSURE, PSF (UP TO) (SEE SHT.1)	MODEL No./ MANUFACTURER	PART DETAIL	INSTALLATION DETAIL
11	THRESHOLD	+75	566/ZERO INT'L	'T1'	'P1'
			950/NGP	'T2'	'P2'
14	FAS-SEAL SWEEP	+75	STEELCRAFT	'S'	'P1' & 'P2'
16	SPLIT ASTRAGAL	+75	328/ZERO INT'L	'GG1'	'N3'
			137/NGP	'GG2'	
19 OR 13	SELF ADHESIVE DOOR SEAL	+75	8144F/ZERO INT'L	'U'	'M' & 'N'
			PS074/STEELCRAFT	'Q'	
20	DOOR SWEEP	+75	539/ZERO INT'L	'W1'	'N'
			202N/NGP	'W2'	
21	DOOR SWEEP	+75	139/ZERO INT'L	'X'	'P1'
22	ADJUSTABLE STOP	+75	475/ZERO INT'L	'Y1'	'M'
			170N/NGP	'Y2'	
23	RAIN DRIP CAP	+75	11/ZERO INT'L	'Z1'	'P1'
			16A/NGP	'Z2'	
24	DOOR TOP CAP	+75	STEELCRAFT	'R'	'M'

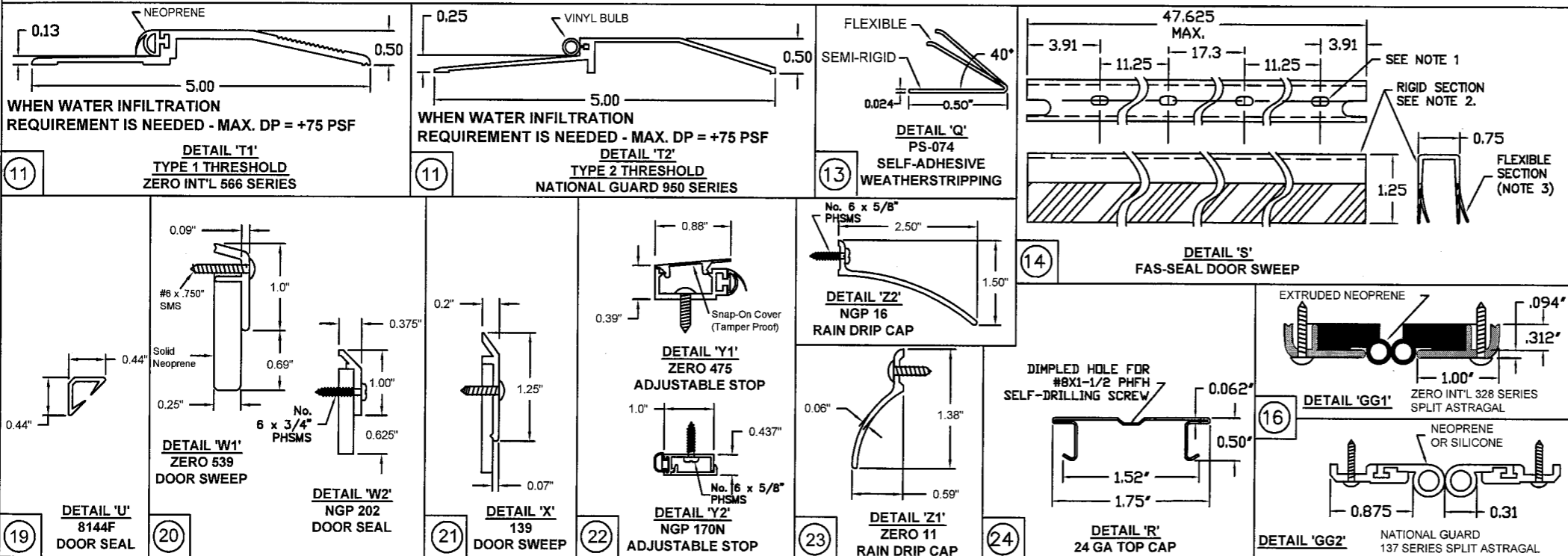
TABLE 4.

PERIMETER SEAL HARDWARE WHEN WATER INFILTRATION REQUIREMENT DOES NOT APPLY					
ITEM NUMBER SHT. 3. TABLE 2	DESCRIPTION	MODEL No. MANUFACTURER	PART DETAIL	INSTALLATION DETAIL	
11	THRESHOLD	566 BY ZERO INT'L	'T1'	'K'	
		950 BY NATIONAL GUARD	'T2'		
14	FAS-SEAL DOOR SWEEP	STEELCRAFT	'S'	'K'	
16	SPLIT ASTRAGAL	328 BY ZERO	'GG1'	'N3'	
		137 BY NGP	'GG2'		
13	PS-074 SELF ADHESIVE WEATHERSTRIPPING	STEELCRAFT	'Q'	'J' & 'L'	
24	DOOR TOP CAP	STEELCRAFT	'R'	OPTIONAL	

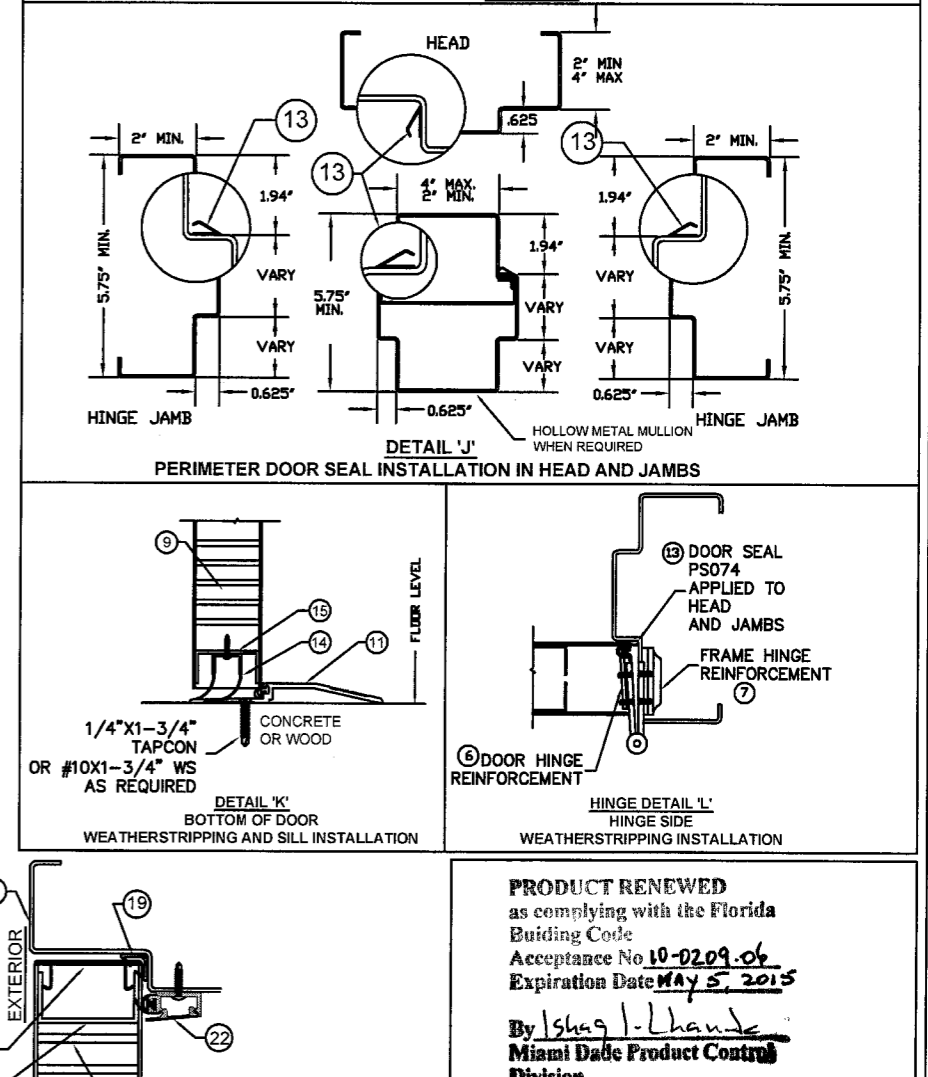
[Signature] 4/14/10
 Date
 Gordon Thomas, P.E.
 3759 Blossom Court
 Mason, OH 45040
 Florida # 48718

REVISIONS				
LTR	DESCRIPTION	DATE	APPROVED	
A	APPROVAL DWG	YMF	05/20/07	
B	REVISED DWG	RAP	10/12/07	
C	REVISED DWG	RAP	12/03/07	
D	REVISED DWG	YMF	01/07/07	
E	REVISED DWG	YMF	04/09/08	
F	REVISED DWG	YMF	06/02/08	
G	REVISED PER_MDBCCD	YMF	02/06/09	
H	REVISED DWG	YMF	03/18/09	
J	REVISED PER_MDBCCD	YMF	04/06/10	

PART DETAILS

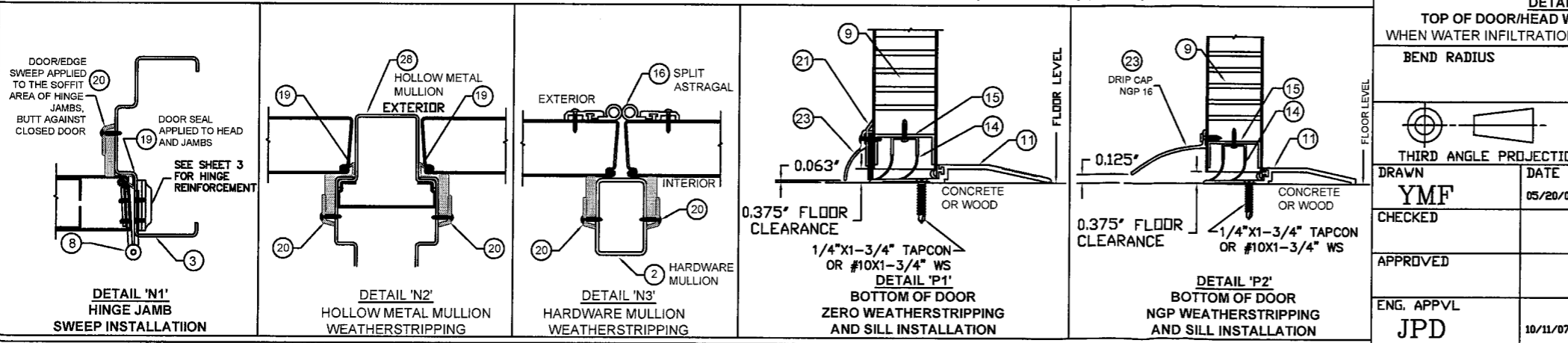


PERIMETER SEAL INSTALLATION DETAILS WHEN WATER INFILTRATION REQUIREMENTS DO NOT APPLY



PRODUCT RENEWED
 as complying with the Florida Building Code
 Acceptance No 10-0209-06
 Expiration Date May 5, 2015
 By *[Signature]*
 Miami Dade Product Control Division

PERIMETER SEAL INSTALLATION DETAILS WHEN WATER INFILTRATION REQUIREMENTS APPLY



DETAIL 'M'
 TOP OF DOOR/HEAD WEATHERSTRIPPING WHEN WATER INFILTRATION REQUIREMENTS APPLY

BEND RADIUS

THIRD ANGLE PROJECTION

DRAWN YMF **DATE** 05/20/07

CHECKED

APPROVED

ENG. APPVL JPD **10/11/07**

IR Ingersoll Rand Security Technologies

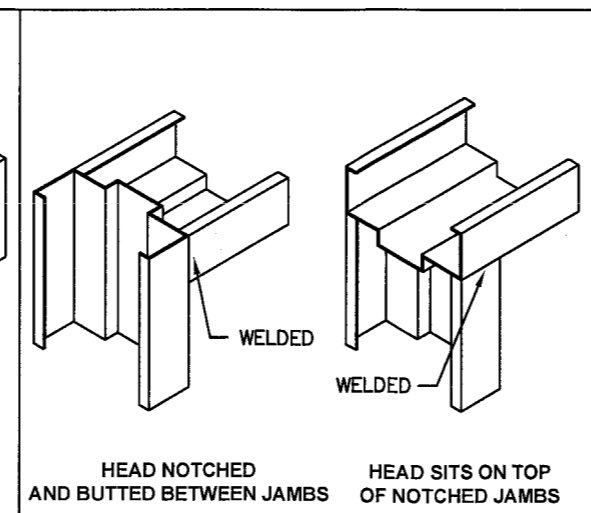
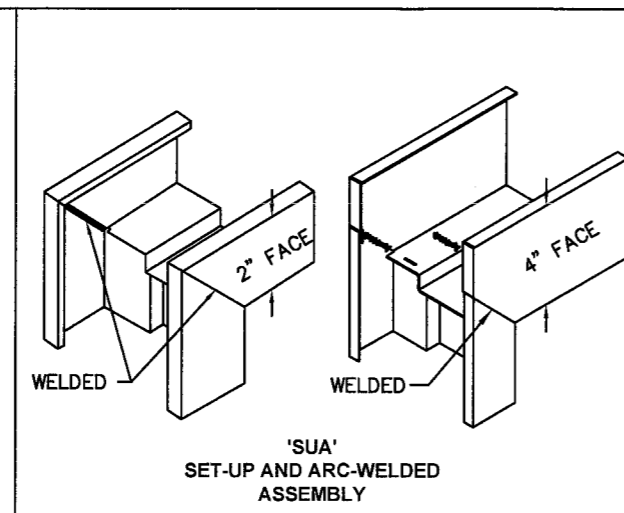
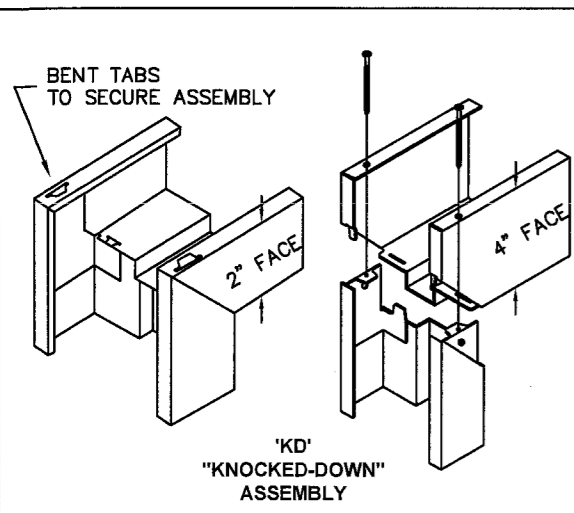
TITLE MIAMI-DADE PRODUCT APPROVAL

DOUBLE FLUSH DOOR PERIMETER SEAL HARDWARE.

SIZE FLAT DWG NO. IRFD07 REV J

SCALE: NTS AUTOCAD SHEET 5 of 11

- NOTES:
1. SLOT LOCATIONS MAY VARY WITH DIFFERENT DOOR WIDTH.
 2. DOOR SWEEP RIGID SECTION IS MADE OF PRO-FAX #PD-199 POLYPROPYLENE HOMOPOLYMER.
 3. DOOR SWEEP FLEXIBLE SECTION IS MADE OF SANTOPRENE #101-73
 4. FAS-SEAL DOOR SWEEP (14), AND THRESHOLD (11) ARE REQUIRED FOR ALL INSTALLATIONS.



Gordon Thomas 4/14/10
 Date
 Gordon Thomas, P.E.
 3759 Blossom Court
 Mason, OH 45040
 Florida # 46718

REVISIONS			
LTR	DESCRIPTION	DATE	APPROVED
A	APPROVAL DWG	YMF 05/20/07	
B	REVISED DWG	RAP 10/12/07	
C	REVISED DWG	RAP 12/03/07	
D	REVISED DWG	YMF 01/23/08	
E	REVISED DWG	YMF 04/09/08	
F	REVISED DWG	YMF 06/02/08	
G	REVISED PER_MDBCCO	YMF 02/06/09	
H	REVISED DWG	YMF 03/18/09	
J	REVISED DWG	YMF 04/06/10	

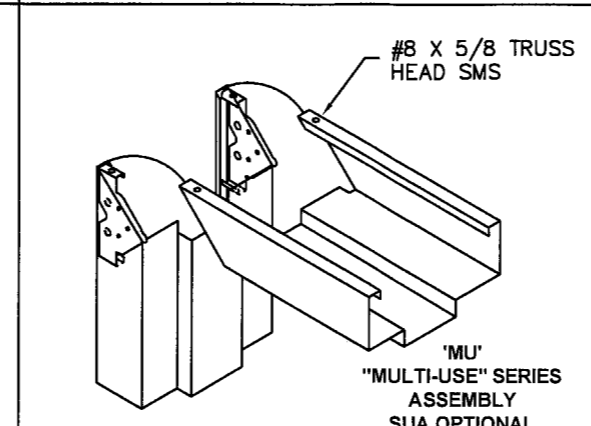
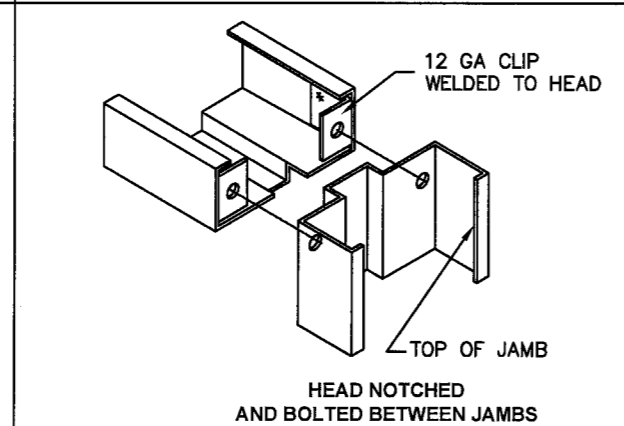
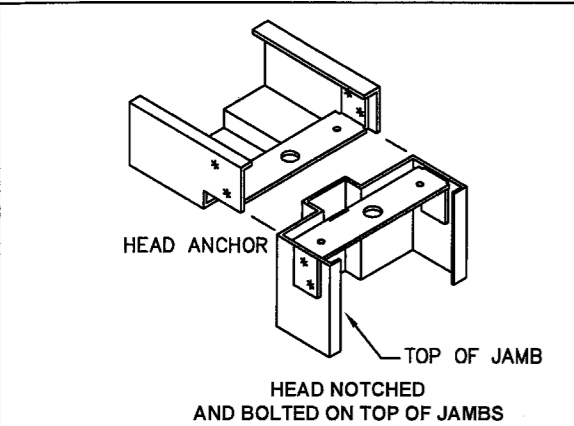


TABLE 7. STEEL MECHANICAL PROPERTIES

MATERIAL	ASTM REF.	YIELD KSI	TENSILE KSI
CRS	A1008	MIN. 30.1	MIN. 44.7
HRS	A1011		
GALV: A60	A924	MIN. 31.2	MIN. 73.2
SS: 304,306	A240		

TABLE 6. AVAILABLE FRAME CONFIGURATIONS

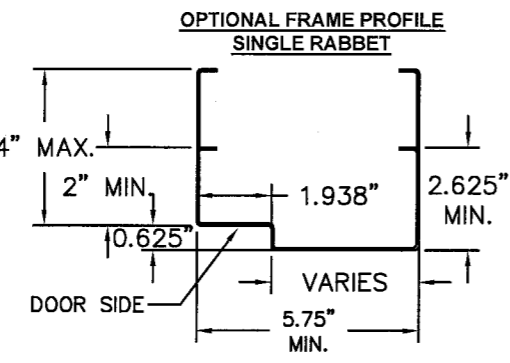
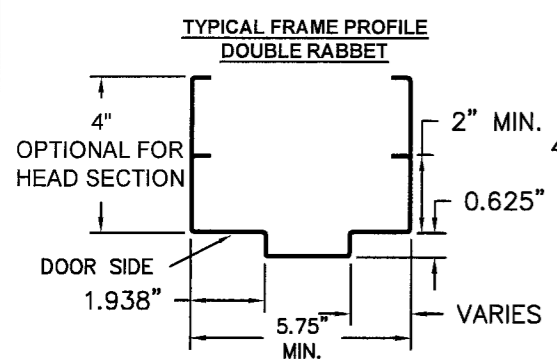
FRAME SERIES	JAMB DEPTH	MAX. OPENING SIZE		MATERIAL	
		WIDTH	HEIGHT	DESCR.	GA./MIN. THK
F	5.75" MIN.	8'0"	8'0"	CRS/HRS GALV	16/.053" 14/.067" 12/.099"
				STAINLESS STEEL	16/.053"
MU	5.75" MIN.	8'0"	8'0"	CRS/HRS GALV	16/.053" 14/.067"

TABLE 5. AVAILABLE DOOR CONFIGURATIONS

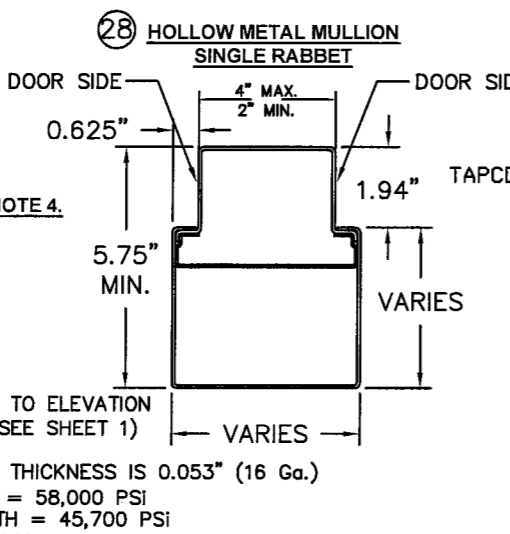
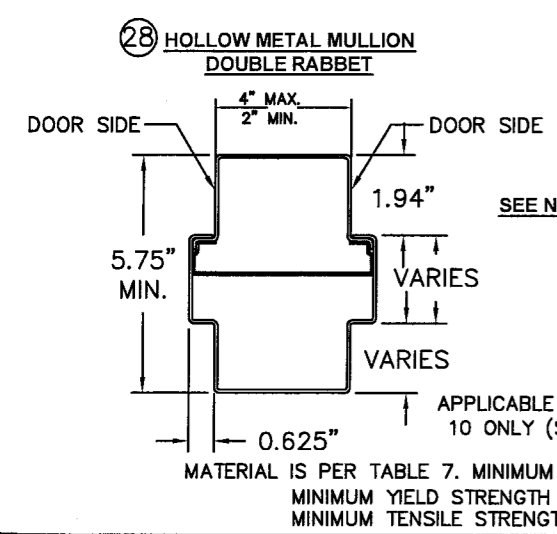
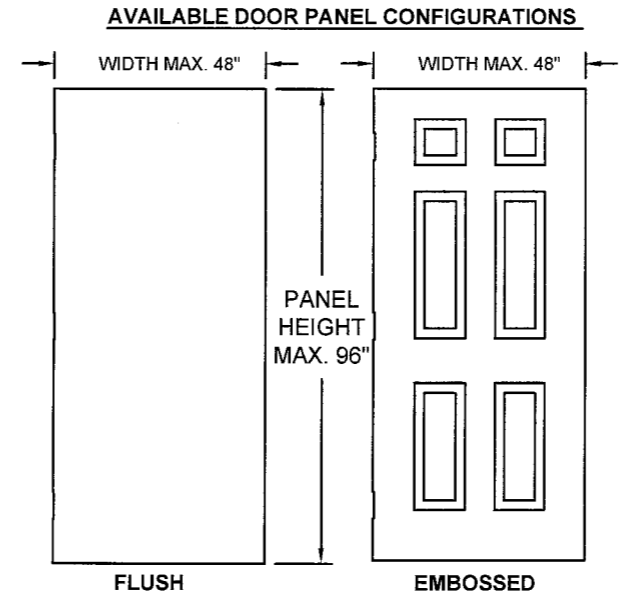
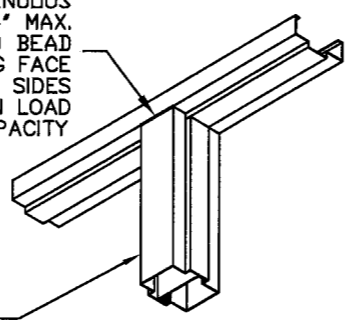
CORE MATERIAL PER SHT.4	MAXIMUM OPENING SIZE		SKIN MATERIAL	
	WIDTH	HEIGHT	DESCR.	GA./MIN. THK
HONEYCOMB POLYSTYRENE POLYURETHANE (POLYISOCYANURATE) TEMPERATURE RISE STEEL STIFFENED	VARIES SEE SHEET 2 TABLE 1		CRS GALV	16/.053" 14/.067"
HONEYCOMB POLYSTYRENE POLYURETHANE	VARIES SEE SHEET 2 TABLE 1		STAINLESS STEEL	16/.053"

NOTES:

- DOOR CONSTRUCTION
 - MINIMUM DOOR THICKNESS - 1 3/4"
 - DOOR SIZE MAY VARY, SUBJECT TO COMPLIANCE WITH FLORIDA BUILDING CODE AND PRODUCT AVAILABILITY FROM MANUFACTURER (SEE SHEET 2 FOR AVAILABLE HARDWARE)
 - PEEP-HOLES AND DOOR VIEWERS ARE ALLOWED
- FRAME CONSTRUCTION
 - MINIMUM JAMB DEPTH - 5 3/4", STOP HEIGHT - 5/8"
 - FRAMES AVAILABLE AS FLUSH (F-SERIES) AND MULTI-USE (MU-SERIES) (SEE TABLE 6)
- FOR MATERIAL SPECIFICATIONS REFERENCE SEE TABLE 7.
- HOLLOW METAL MULLION (ITEM 28 PER TAB.2, SHT.3) TO BE USED WITH 3-POINT LATCH IN DOOR CONFIGURATION #10



WELD AT JOINT CONTINUOUS 2" MIN. 4" MAX. MIG-WELD BEAD ALONG FACE BOTH SIDES 980# MIN LOAD CAPACITY



(2) 1/4" X 1-3/4" TAPCON BY ITW BUILDEX OR ELCO TEXTRON INTO 4000 PSI CONCRETE MIN. EMBEDMENT 1-1/4"

HOLLOW-METAL STEEL MULLION APPLICABLE TO ELEVATION 10 ONLY (SEE SHT.1)

PRODUCT RENEWED
 as complying with the Florida Building Code
 Acceptance No 10-0209-06
 Expiration Date MAY 5, 2015
 By *Ishay L. Chandra*
 Miami Dade Product Control Division

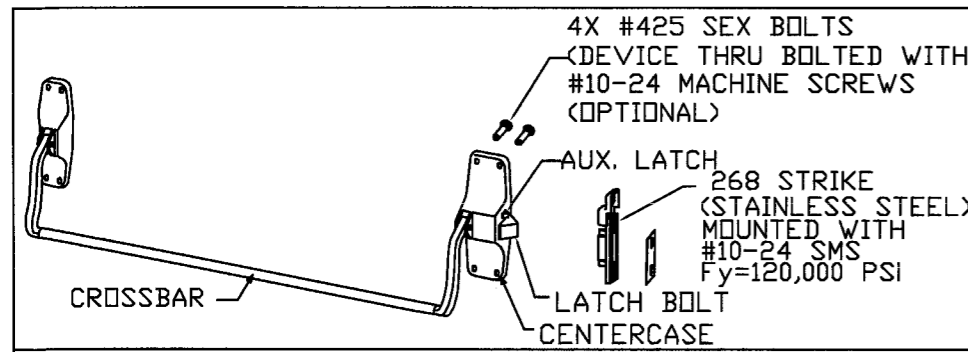
BEND RADIUS	
THIRD ANGLE PROJECTION	
DRAWN YMF	DATE 05/20/07
CHECKED	
APPROVED	
ENG. APPVL JPD	DATE 10/12/07

IR Ingersoll Rand Security Technologies

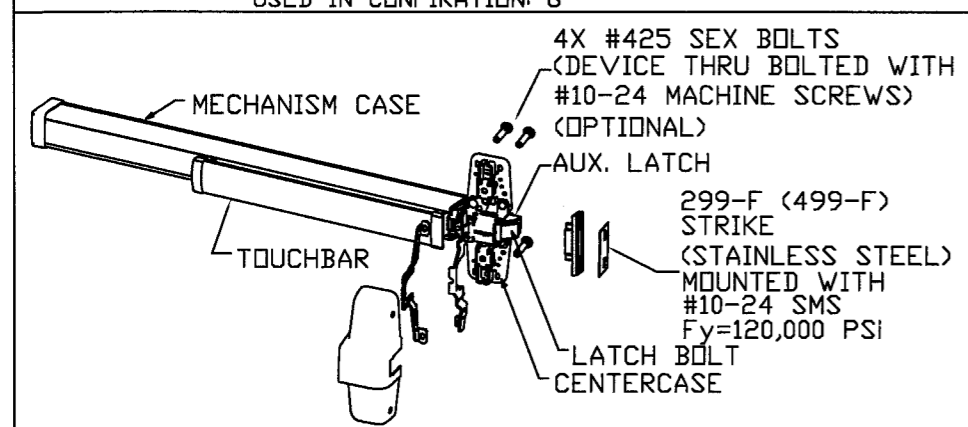
TITLE MIAMI-DADE PRODUCT APPROVAL

FRAME PROFILE, CORNER DETAILS AND DOOR FRAME MATERIAL, AND SIZE OPTIONS

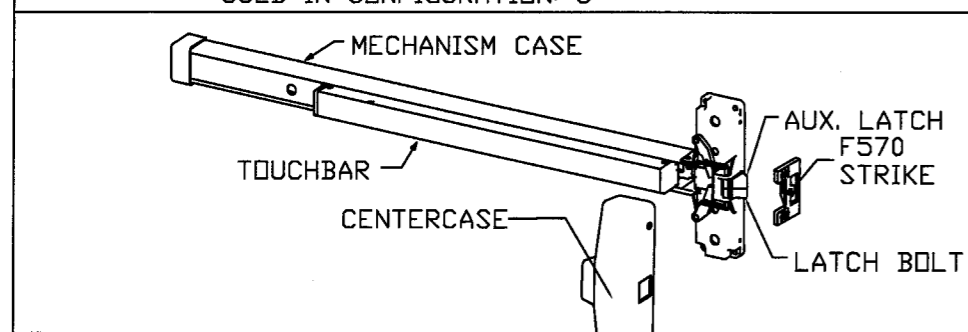
SIZE	FLAT	DWG NO.	IRFD07	REV	J
SCALE:	NTS	AUTOCAD	SHEET 6 OF 11		



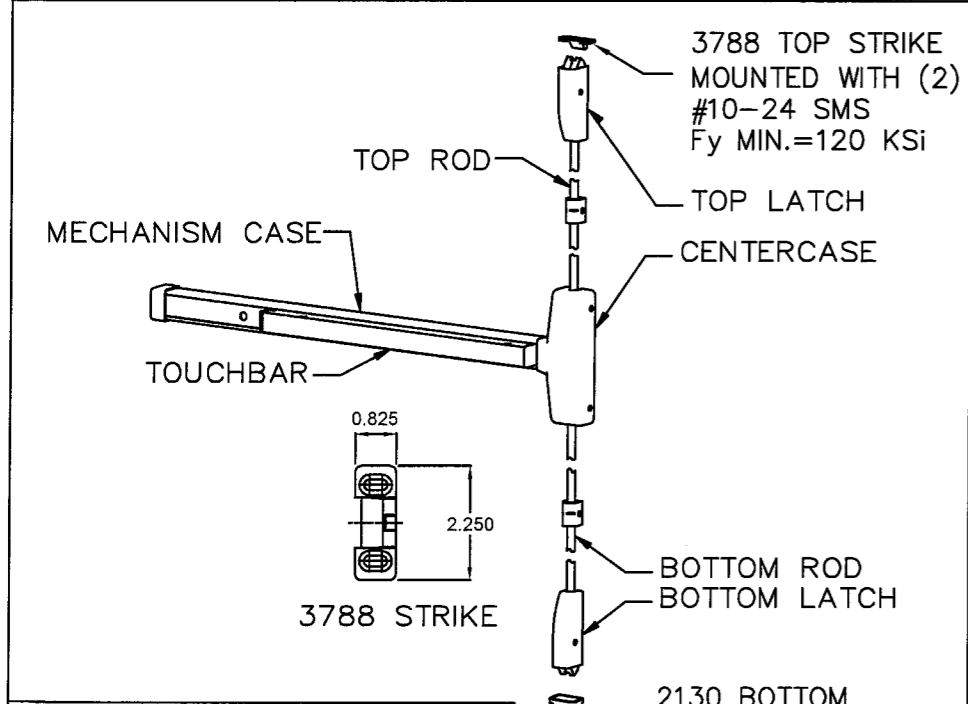
VON DUPRIN 88-F RIM DEVICE
USED IN CONFIGURATION: 6



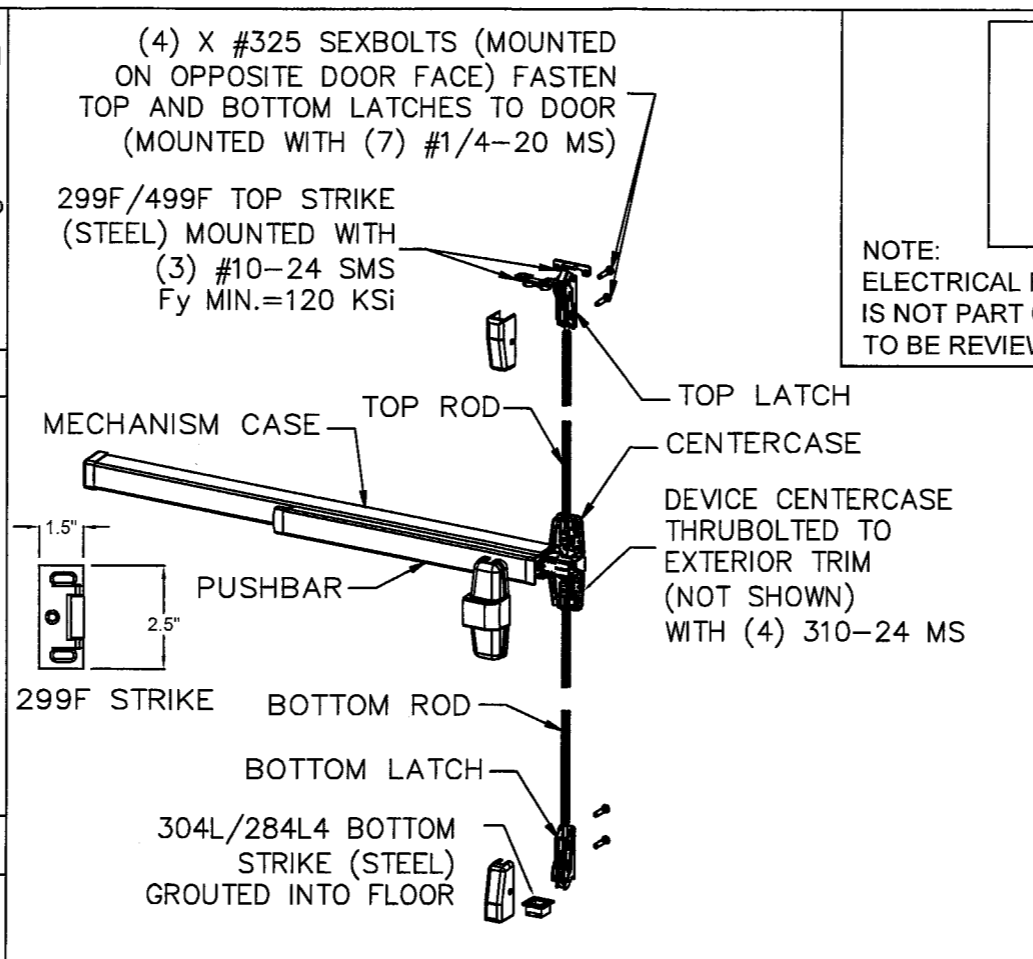
VON DUPRIN 98/99 (F) RIM DEVICE
USED IN CONFIGURATION: 6



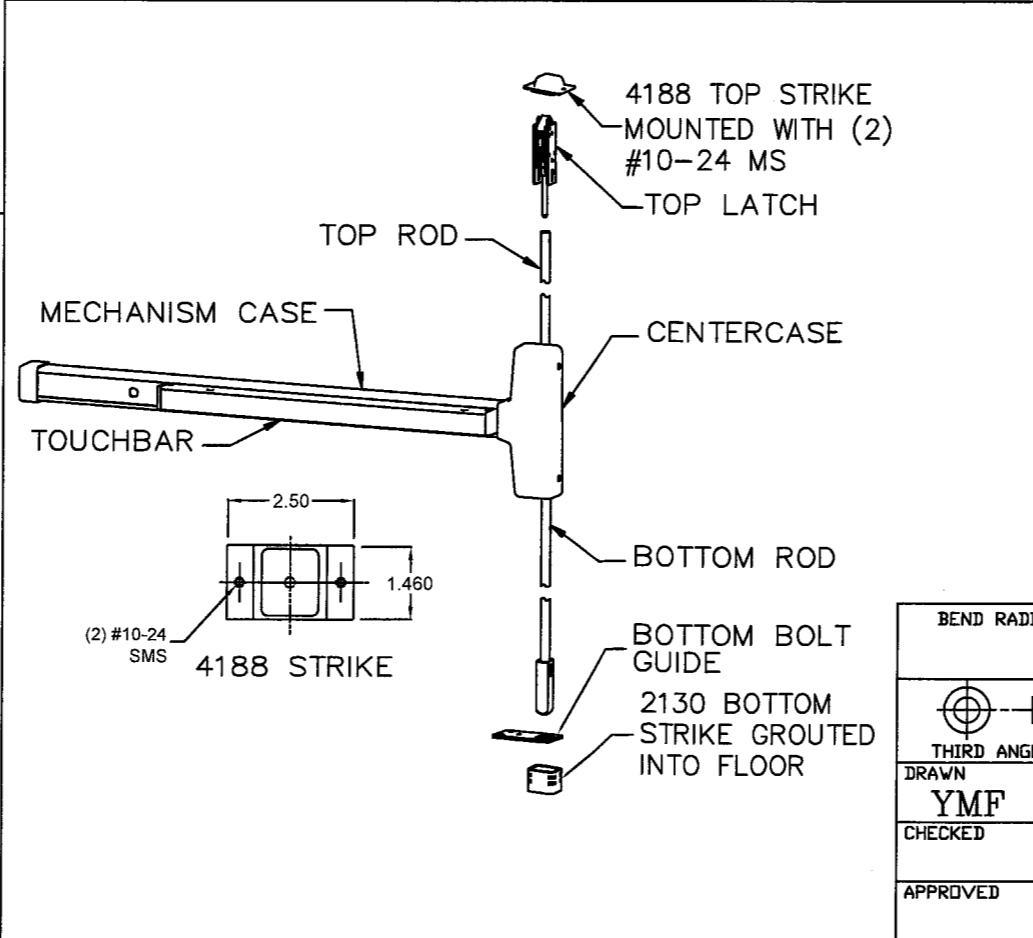
MONARCH (F) DL-18R RIM DEVICE
USED IN CONFIGURATION: 6



MONARCH (F) 18-V SURFACE
VERTICAL ROD EXIT DEVICE
USED IN CONFIGURATION: 7



VON DUPRIN 98/9927 (F) SURFACE VERTICAL ROD EXIT DEVICE
USED IN CONFIGURATION: 7



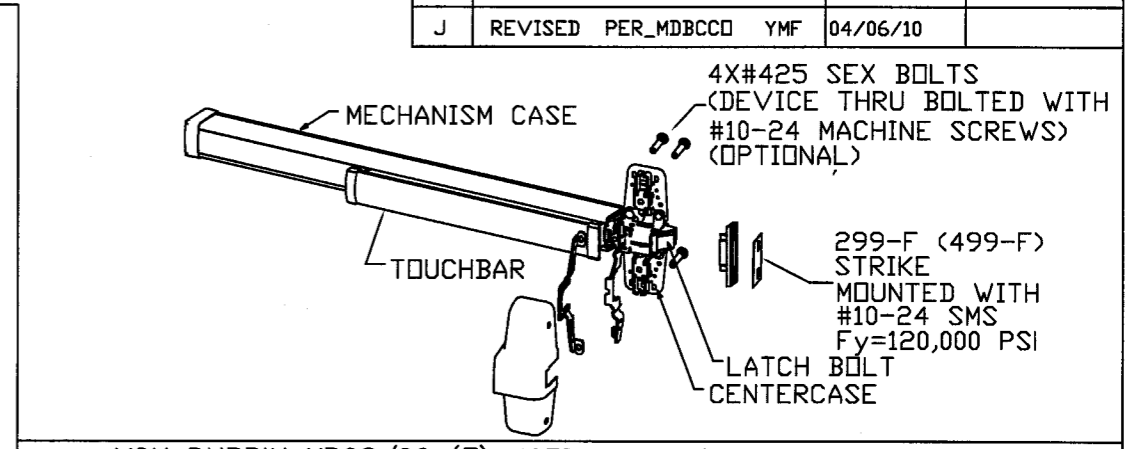
MONARCH F-18-C CONCEALED VERTICAL ROD EXIT DEVICE
USED IN CONFIGURATION: 8

PRODUCT RENEWED
as complying with the Florida
Building Code
Acceptance No. 19-0209.06
Expiration Date MAY 5, 2015
By Ishag L. Chaudhry
Miami Dade Product Control
Division

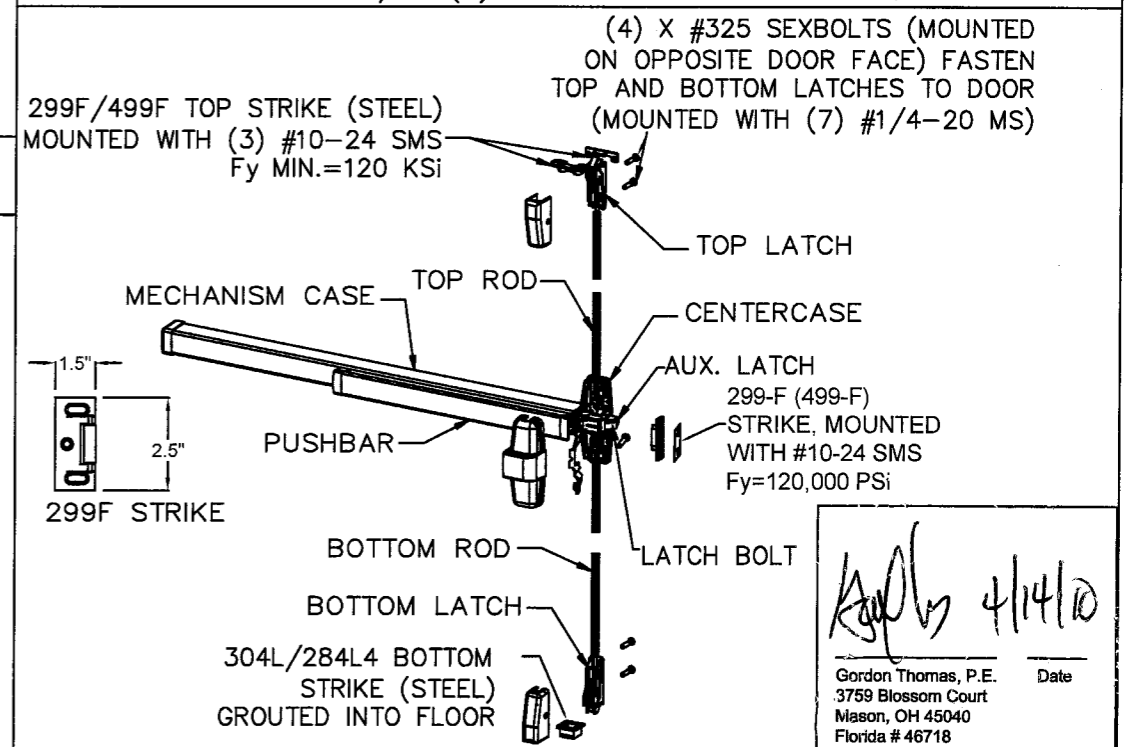
NOTE:
ELECTRICAL FUNCTIONS/INSTALLATION
IS NOT PART OF THIS APPROVAL AND
TO BE REVIEWED BY BUILDING OFFICIAL

REVISIONS

LTR	DESCRIPTION	DATE	APPROVED
B	REVISED DWG	RAP 10/12/07	
C	REVISED DWG	RAP 12/03/07	
D	REVISED DWG	YMF 01/23/08	
E	REVISED DWG	YMF 04/09/08	
F	REVISED DWG	YMF 06/02/08	
G	REVISED PER_MDBCCD	YMF 02/06/09	
H	REVISED DWG	YMF 03/18/09	
J	REVISED PER_MDBCCD	YMF 04/06/10	



VON DUPRIN XP98/99 (F) USED IN CONFIGURATION: 5



VON DUPRIN 98/9957 (F) THREE-POINT LATCHING DEVICE
USED IN CONFIGURATIONS: 9 & 10

[Signature] 4/14/10
Date
Gordon Thomas, P.E.
3759 Blossom Court
Mason, OH 45040
Florida # 46718

BEND RADIUS	
THIRD ANGLE PROJECTION	
DRAWN YMF	DATE 05/20/07
CHECKED	CDATE
APPROVED	ADATE
ENG. APPVL JPD	EDATE 10/12/07

IR Ingersoll Rand
Security Technologies

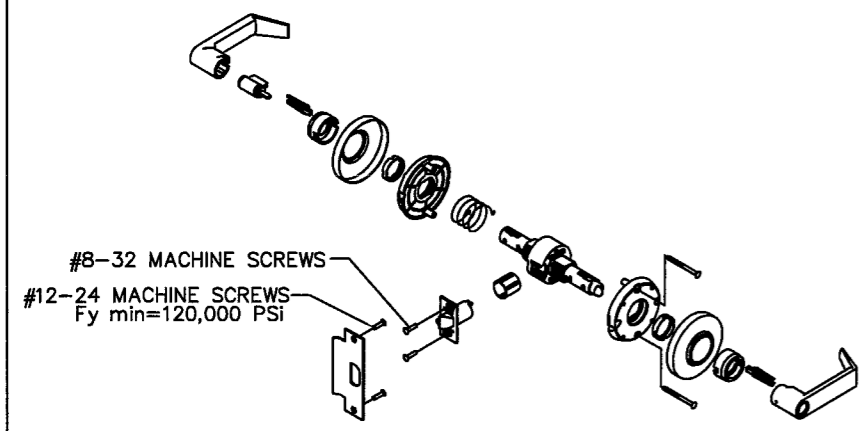
TITLE MIAMI-DADE PRODUCT APPROVAL

IR EXIT HARDWARE FOR FLUSH DOUBLE DOORS.

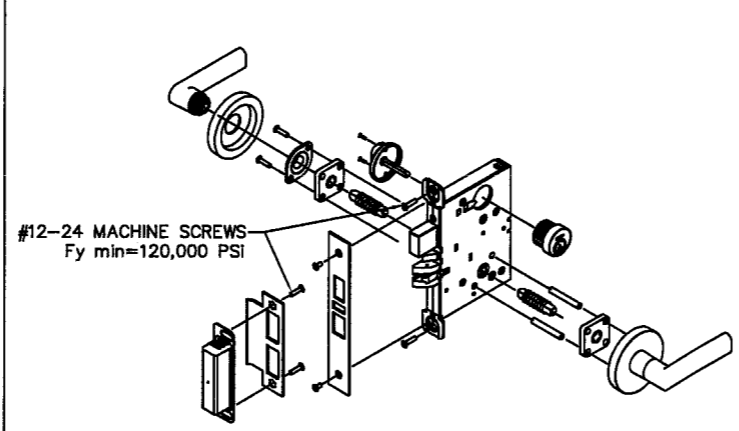
SIZE	FLAT	DWG NO.	REV
		IRFD07	J
SCALE: NTS	AUTOCAD	SHEET 7 OF 11	

REVISIONS

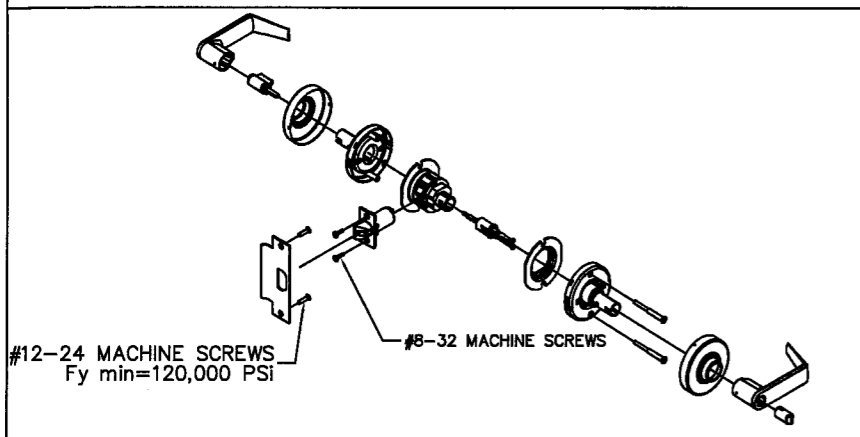
LTR	DESCRIPTION	DATE	APPROVED
A	APPROVAL DWG	YMF 05/20/07	
B	REVISED DWG	RAP 10/12/07	
C	REVISED DWG	RAP 12/03/07	
D	REVISED DWG	YMF 01/23/08	
E	REVISED DWG	YMF 04/09/08	
F	REVISED DWG	YMF 06/02/08	
G	REVISED PER_MDBCCO	YMF 02/06/09	
H	REVISED DWG	YMF 03/18/09	
J	REVISED PER_MDBCCO	YMF 04/06/10	



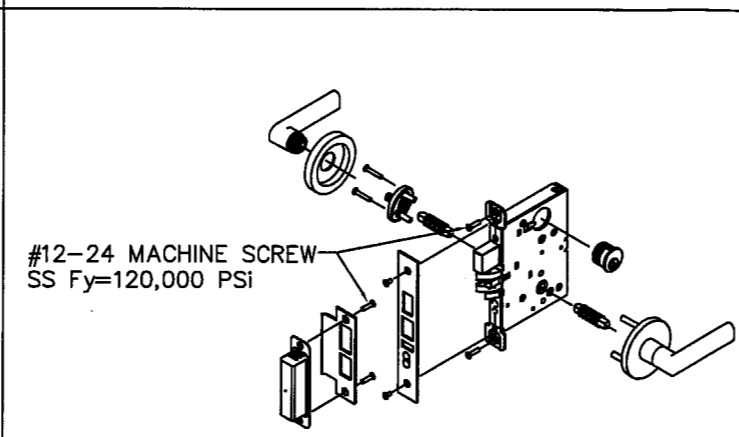
SCHLAGE AL SERIES CYLINDRICAL LEVER LOCKSET WITH 1/2" THROW LATCH USED IN CONFIGURATION: 2



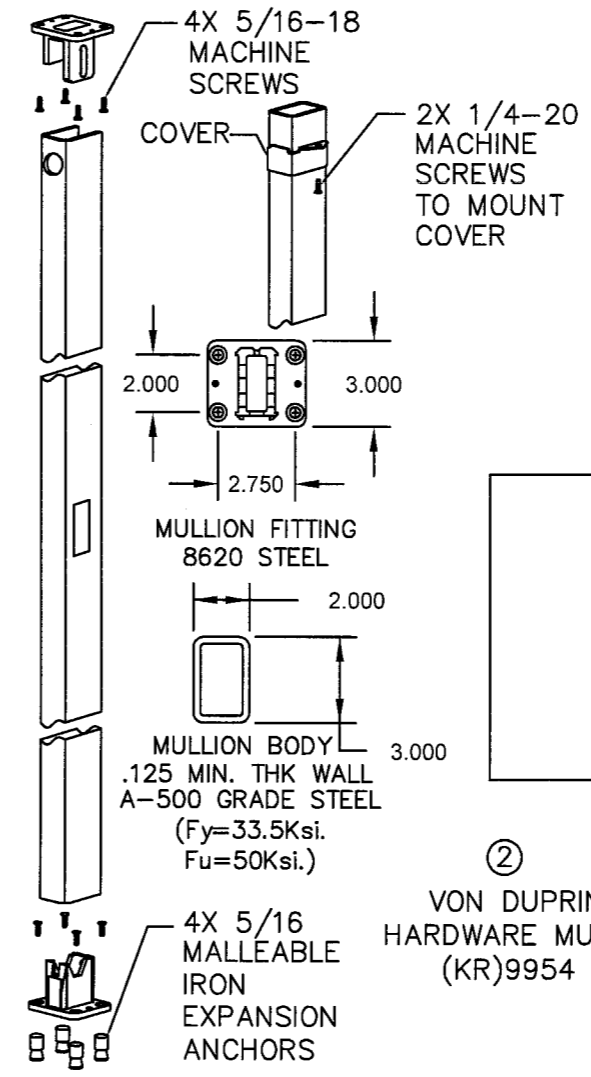
SCHLAGE L/LV 9400 SERIES MORTISE LOCKSET W/ DEADBOLT. USED IN CONFIGURATION: 1



SCHLAGE D/ND-SERIES CYLINDRICAL LEVER LOCKSET. USED IN CONFIGURATIONS: 3 & 4



FALCON M-SERIES MORTISE LOCKSET W/ DEADBOLT USED IN CONFIGURATION: 1

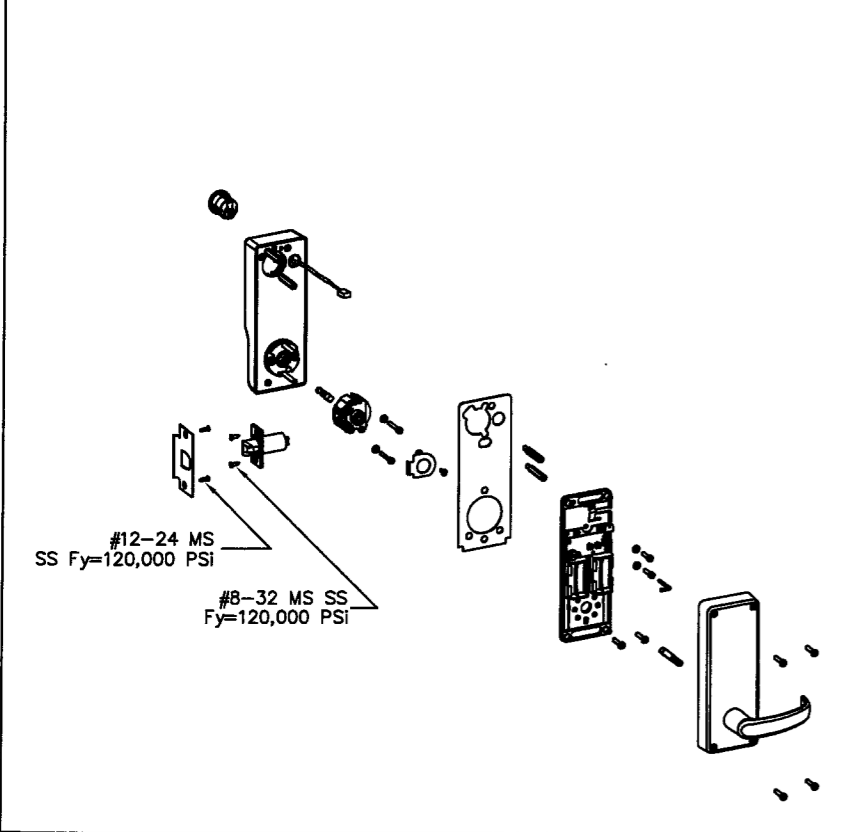


PRODUCT RENEWED
as complying with the Florida Building Code
Acceptance No 10-0209-06
Expiration Date MAY 5, 2015
By Ishag I. Khan
Miami Dade Product Control Division

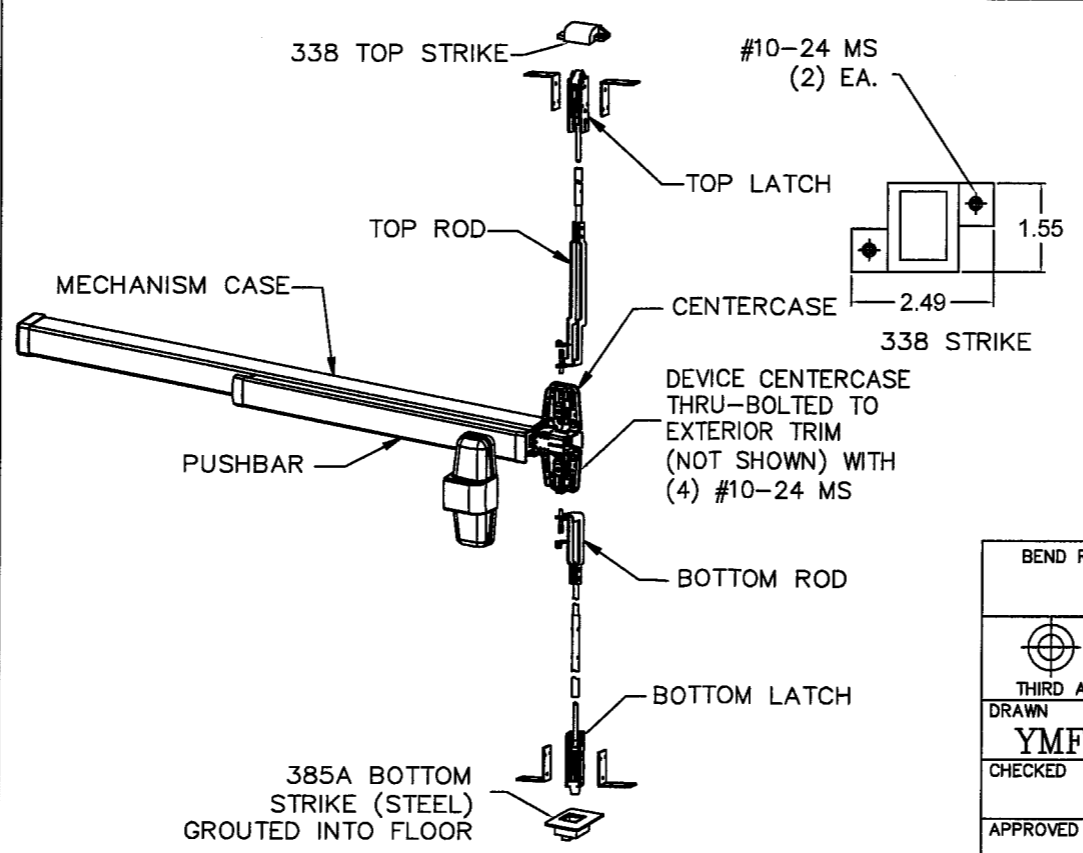
Gordon Thomas 4/14/10
Gordon Thomas, P.E. Date
3759 Blossom Court
Mason, OH 45040
Florida # 46718

② VON DUPRIN HARDWARE MULLION (KR)9954

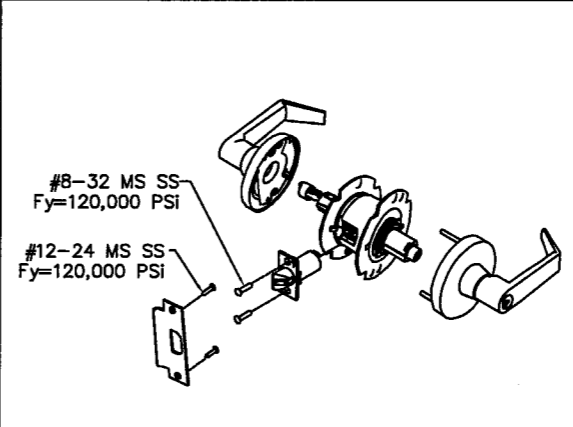
NOTE: ELECTRICAL FUNCTIONS/INSTALLATION IS NOT PART OF THIS APPROVAL AND TO BE REVIEWED BY BUILDING OFFICIAL



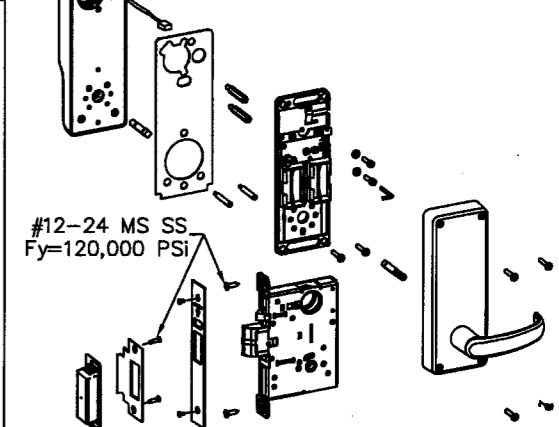
LOCKNETICS / SCHLAGE 5100 SERIES CYLINDRICAL LEVER LOCKSET. USED IN CONFIGURATION: 4



VON DUPRIN 98/9947-F CONCEALED VERTICAL ROD EXIT DEVICE USED IN CONFIGURATION: 8

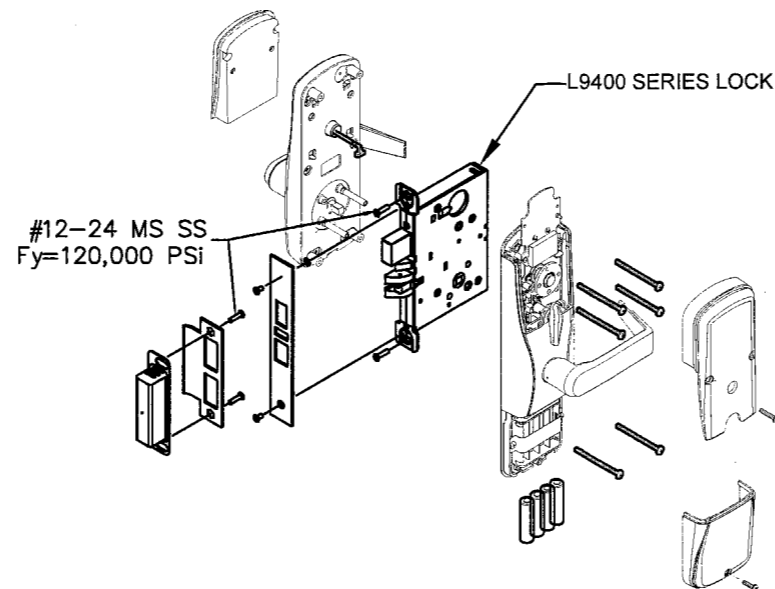
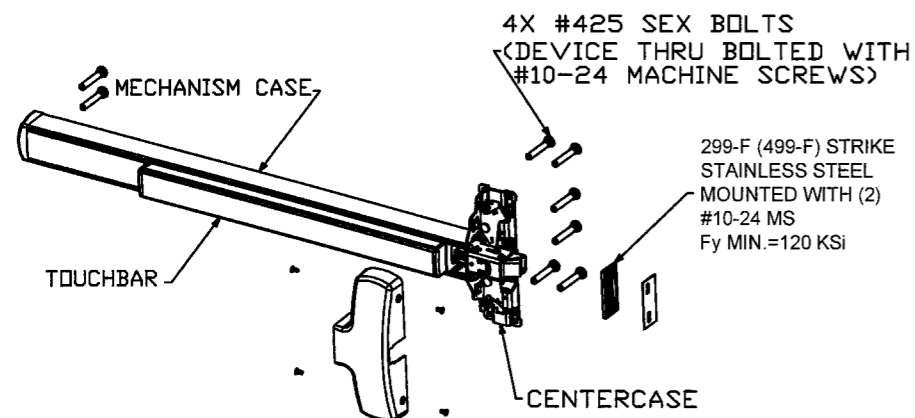


FALCON, T-SERIES CYLINDRICAL LEVER LOCKSET. USED IN CONFIGURATION: 4



LOCKNETICS / SCHLAGE 5500 SERIES MORTISE LOCKSET W/ AUTOBOLT. USED IN CONFIGURATION: 1

BEND RADIUS		<p>Ingersoll Rand Security Technologies</p>					
THIRD ANGLE PROJECTION							
DRAWN YMF	DATE 05/20/07	TITLE MIAMI-DADE PRODUCT APPROVAL IR EXIT HARDWARE FOR FLUSH DOUBLE DOORS.					
CHECKED		SIZE	FLAT	DWG NO.	IRFD07	REV	J
APPROVED		SCALE:	NTS	AUTOCAD	SHEET	8	OF 11
ENG. APPVL JPD	10/12/07						



[Signature] 4/14/10
 Gordon Thomas, P.E. Date
 3759 Blossom Court
 Mason, OH 45040
 Florida # 46718

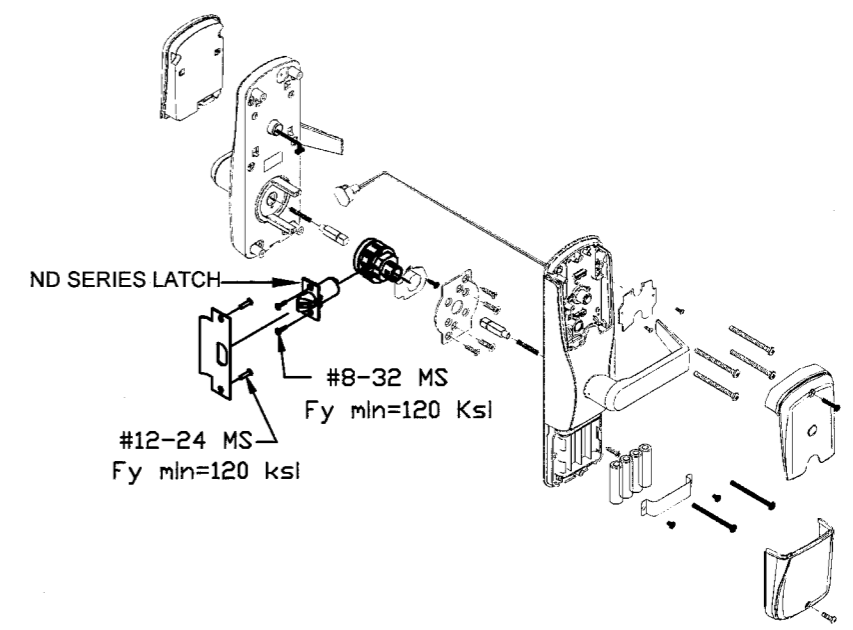
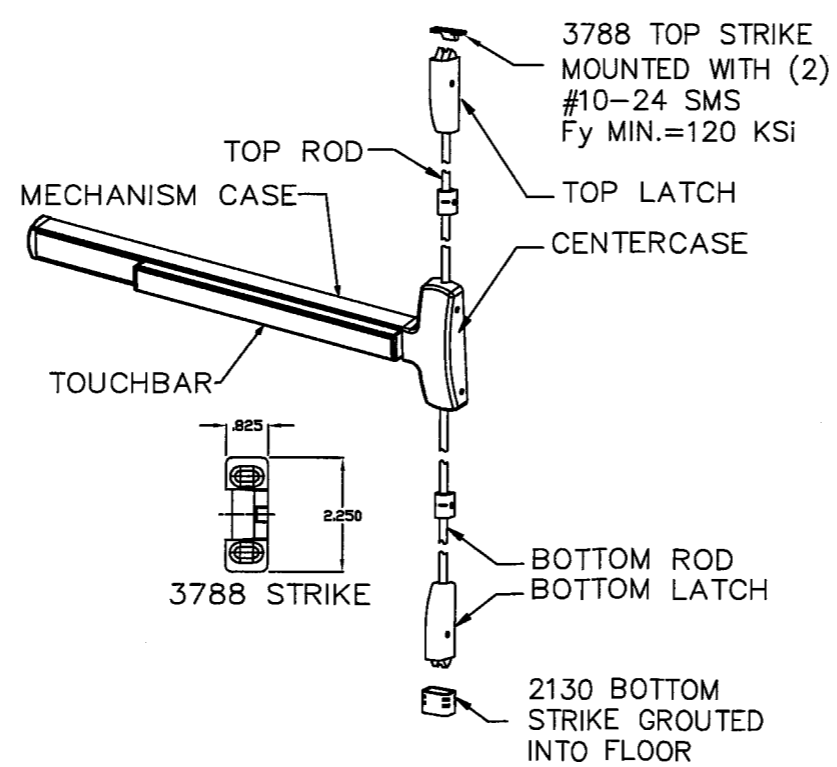
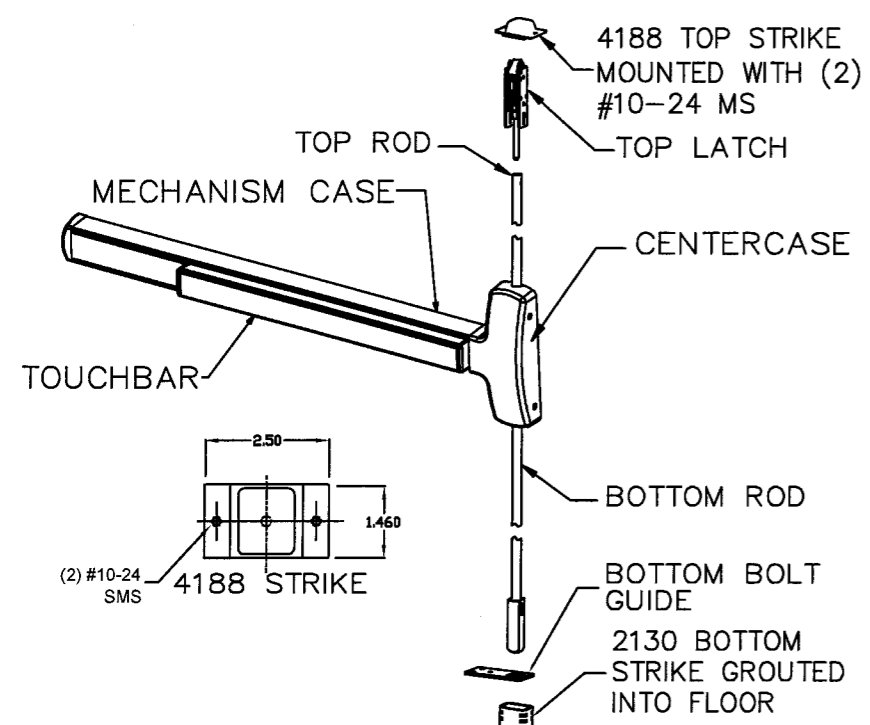
REVISIONS				
LTR	DESCRIPTION	DATE	APPROVED	
A	APPROVAL DWG	YMF	05/20/07	
B	REVISED DWG	RAP	10/08/07	
C	REVISED DWG	RAP	12/03/07	
D	REVISED DWG	YMF	01/23/08	
E	REVISED DWG	YMF	04/09/08	
F	REVISED DWG	YMF	06/02/08	
G	REVISED PER_MDBCCD	YMF	02/06/09	
H	REVISED DWG	YMF	03/18/09	
J	REVISED PER_MDBCCD	YMF	04/06/10	

NOTE:
 ELECTRICAL FUNCTIONS/INSTALLATION
 IS NOT PART OF THIS APPROVAL AND
 TO BE REVIEWED BY BUILDING OFFICIAL

PRODUCT RENEWED
 as complying with the Florida
 Building Code
 Acceptance No. 10-0209.06
 Expiration Date MAY 5 2015
 By Ishaq I. Linn
 Miami Dade Product Control
 Division

RIM EXIT DEVICE FALCON (F)25-R
 USED IN DOOR CONFIGURATION 11 (SEE SHT.1)

SCHLAGE CO/AD MS SERIES MORTISE LOCKSET WITH DEADBOLT
 USED IN CONFIGURATIONS: 1 (SEE SHT. 1)



SCHLAGE CO/AD CY SERIES CYLINDRICAL LOCKSET
 USED IN CONFIGURATIONS: 3&4 (SEE SHT.1)

CONCEALED VERTICAL ROD EXIT DEVICE FALCON F-25-C
 USED IN DOOR CONFIGURATION 8 (SEE SHT.1)

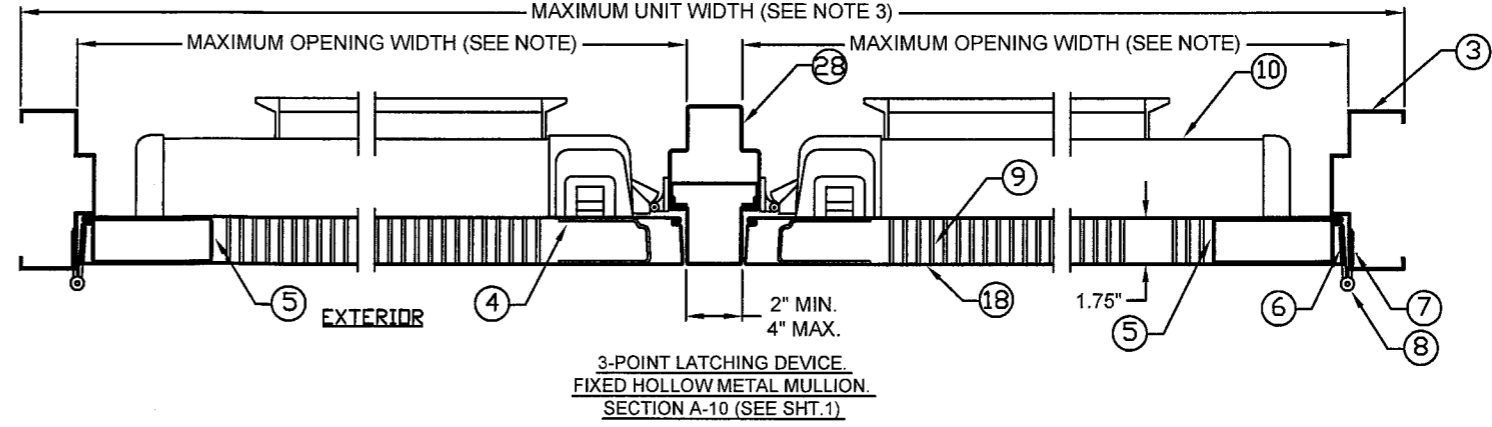
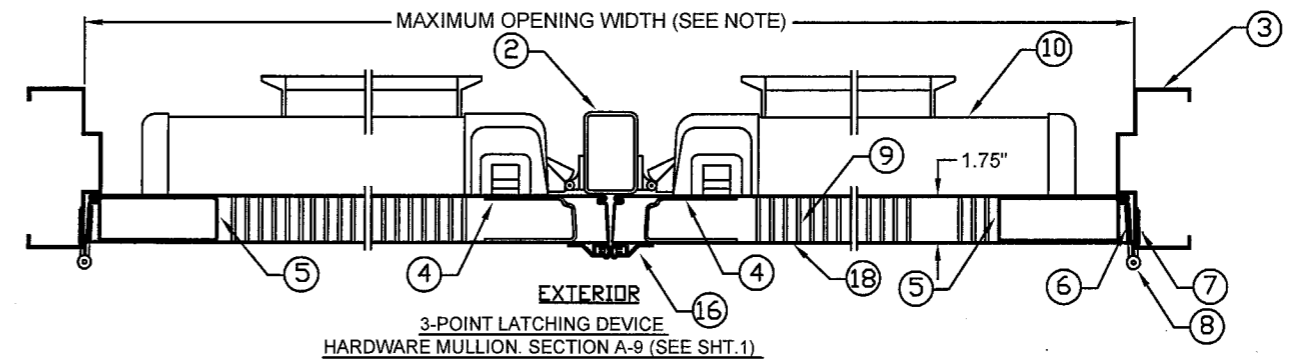
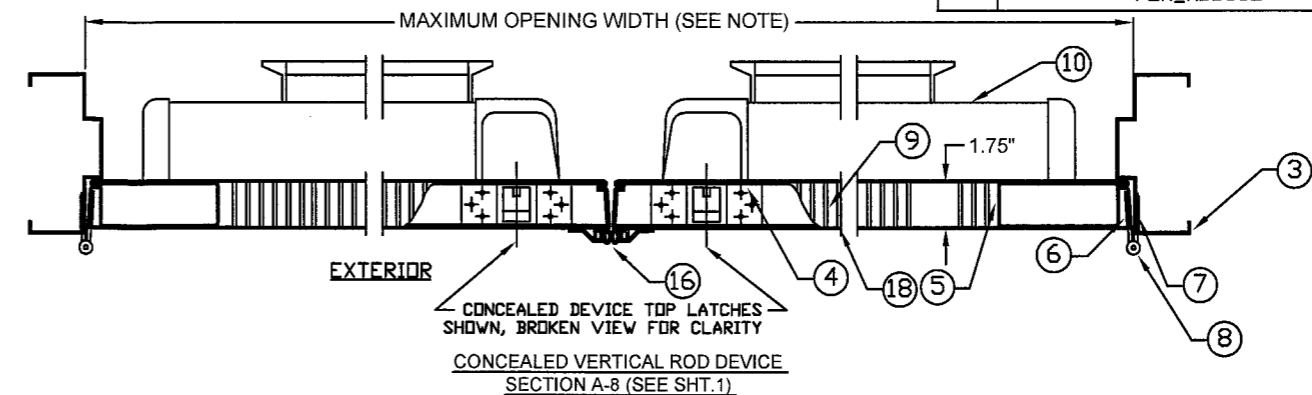
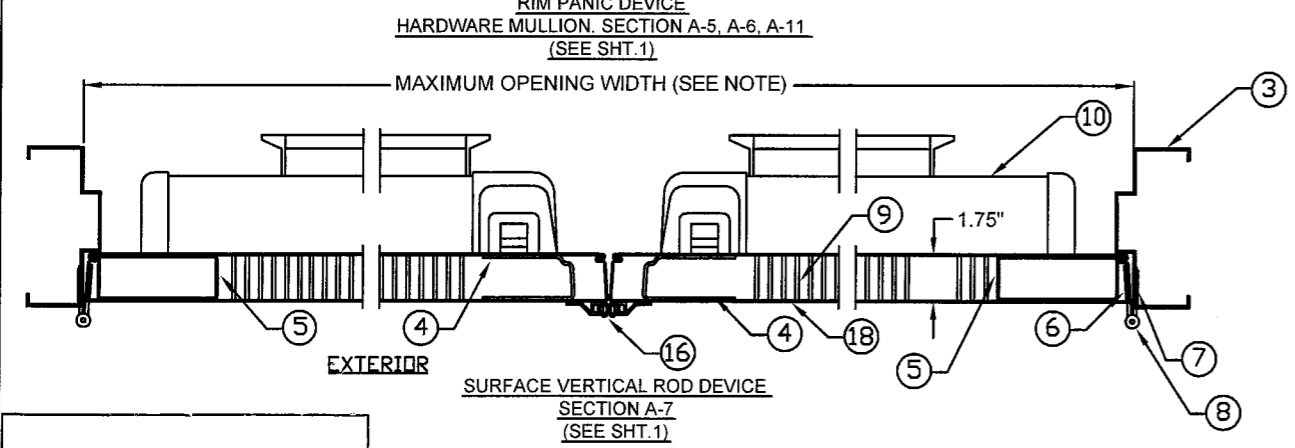
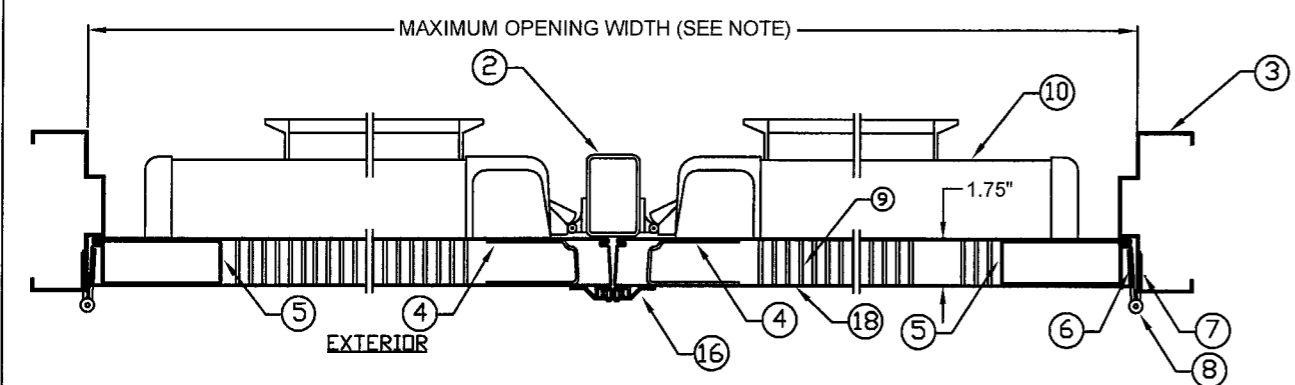
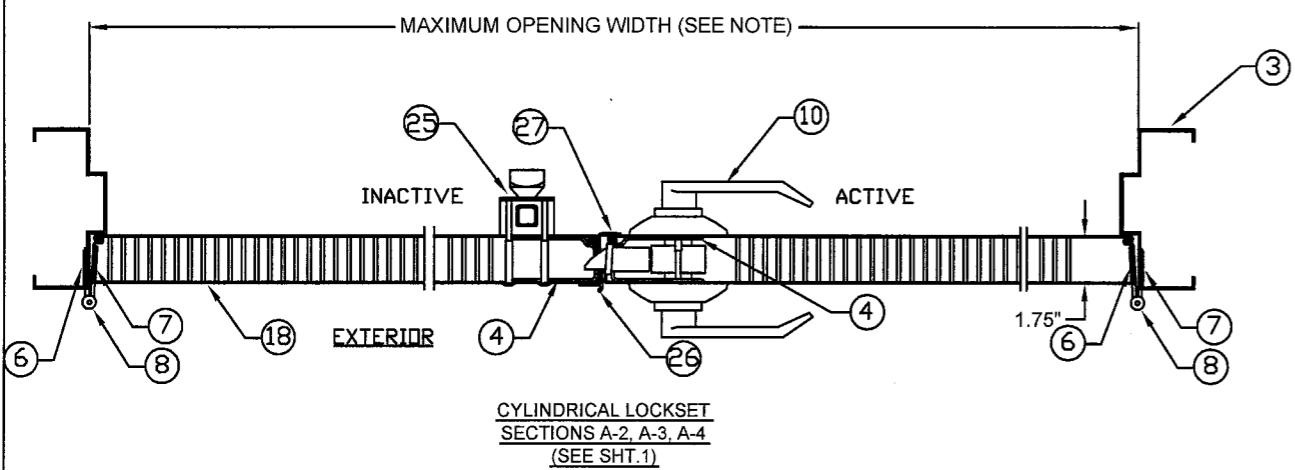
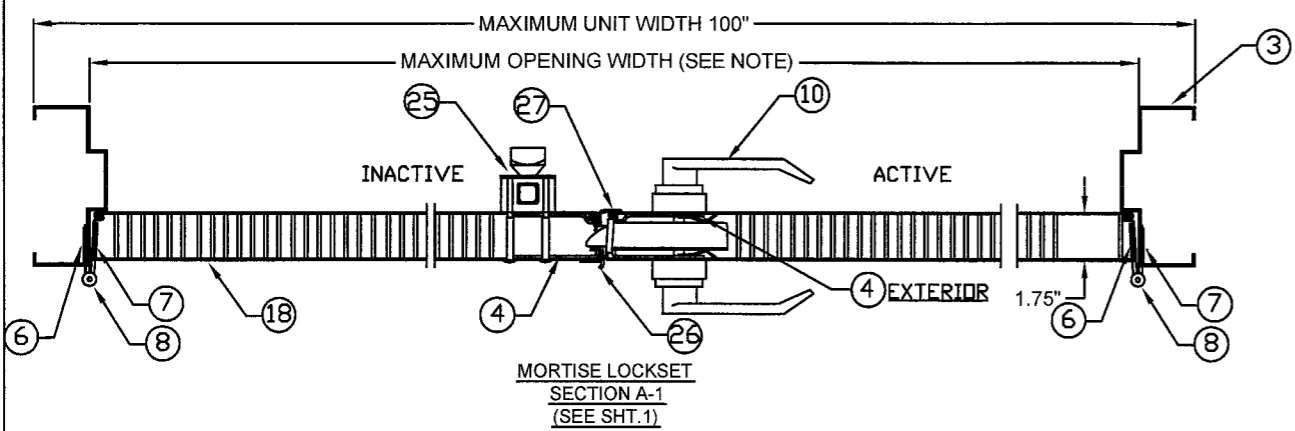
SURFACE VERTICAL ROD EXIT DEVICE FALCON (F)25-V
 USED IN DOOR CONFIGURATION 7 (SEE SHT.1)

BEND RADIUS		Ingersoll Rand Security Technologies TITLE MIAMI-DADE PRODUCT APPROVAL IR EXIT HARDWARE FOR FLUSH DOUBLE DOORS.			
THIRD ANGLE PROJECTION					
DRAWN YMF	DATE 05/20/07	SIZE	FLAT	DWG NO. IRFD07	REV J
CHECKED	CDATE	SCALE: NTS	AUTOCAD	SHEET 9 OF 11	
APPROVED	ADATE				
ENG. APPVL JPD	EDATE 10/12/07				

REVISIONS

LTR	DESCRIPTION	DATE	APPROVED
A	APPROVAL DWG	YMF 05/20/07	
B	REVISED DWG	RAP 10/08/07	
C	REVISED DWG	RAP 12/03/07	
D	REVISED DWG	YMF 01/23/08	
E	REVISED DWG	YMF 04/09/08	
F	REVISED DWG	YMF 06/02/08	
G	REVISED PER_MDBCCD	YMF 02/06/09	
H	REVISED DWG	YMF 03/18/09	
J	REVISED PER_MDBCCD	YMF 04/06/10	

PRODUCT RENEWED
 as complying with the Florida
 Building Code
 Acceptance No 10-0209.06
 Expiration Date MAY 5 2015
 By Ishag L. Lhanda
 Miami Dade Product Control
 Division



NOTES:

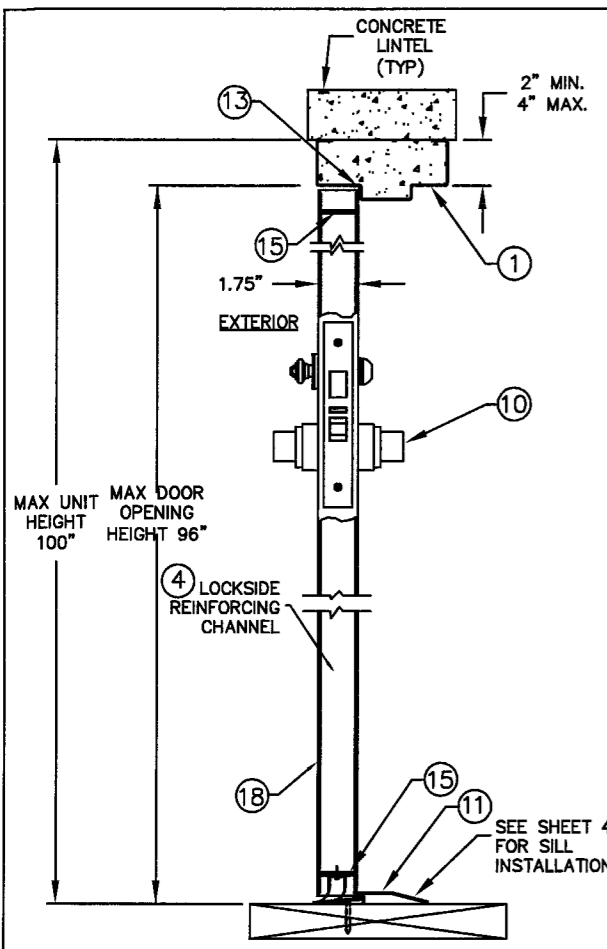
1. FOR MAXIMUM OPENING SIZE SEE TABLE 1 ON SHT 2 OF 11.
2. SEE SHEET 4 FOR ANCHOR INSTALLATION DETAILS.
3. WHEN FIXED HOLLOW-METAL MULLION IS USED (CONFIGURATION 10 PER SHT.1) OVERALL UNIT WIDTH IS LIMITED TO 100". DOOR SIZES WILL DECREASE ACCORDINGLY.

Gordon Thomas 4/14/10
 Gordon Thomas, P.E. Date
 3759 Blossom Court
 Mason, OH 45040
 Florida # 46718

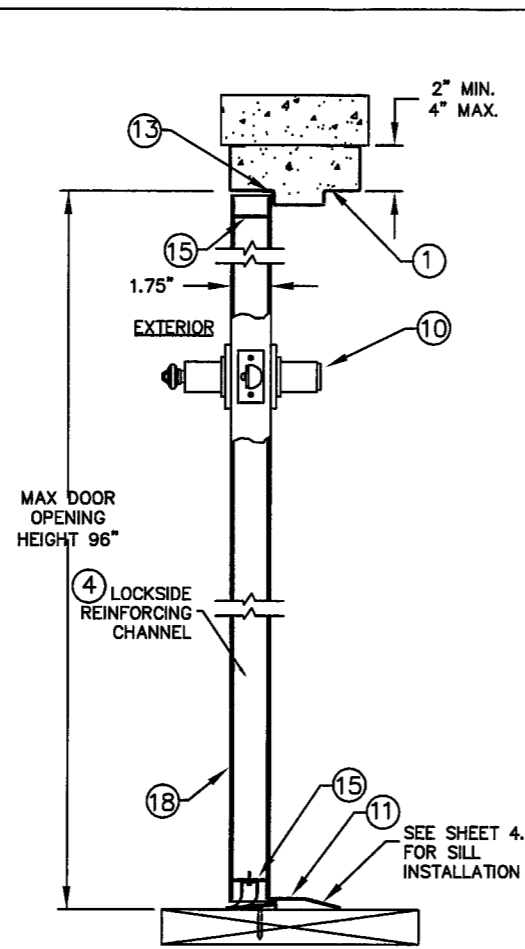
BEND RADIUS		Ingersoll Rand Security Technologies	
THIRD ANGLE PROJECTION			
DRAWN	DATE	TITLE MIAMI-DADE PRODUCT APPROVAL	
YMF	05/20/07	HORIZONTAL CROSS SECTIONS FOR FLUSH DOUBLE DOORS.	
CHECKED		SIZE	FLAT
APPROVED		DWG NO.	IRFD07
ENG. APPVL		SCALE	NTS
		AUTOCAD	SHEET 10 OF 11

REVISIONS

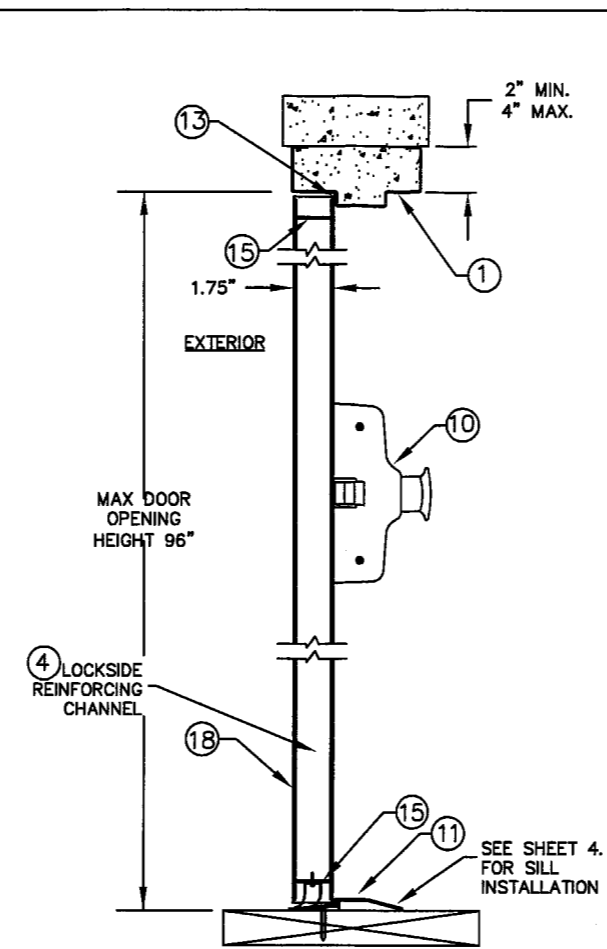
LTR	DESCRIPTION	DATE	APPROVED
A	APPROVAL DWG	YMF	05/20/07
B	REVISED DWG	RAP	10/08/07
C	REVISED DWG	RAP	12/03/07
D	REVISED DWG	YMF	01/24/08
E	REVISED DWG	YMF	04/09/08
F	REVISED DWG	YMF	06/02/08
G	REVISED PER_MDBCCO	YMF	02/06/09
H	REVISED DWG	YMF	03/18/09
J	REVISED PER_MDBCCO	YMF	04/06/10



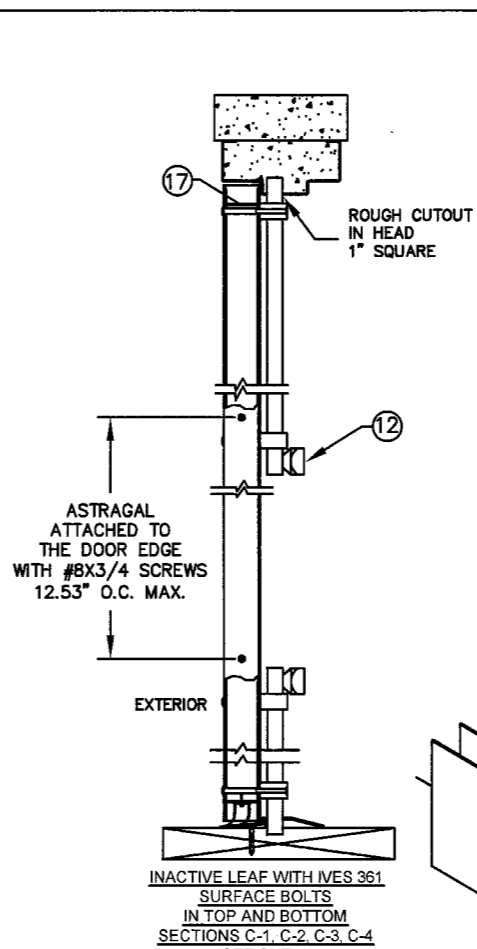
MORTISE LOCK
SECTION B-1
(SEE SHT.1)



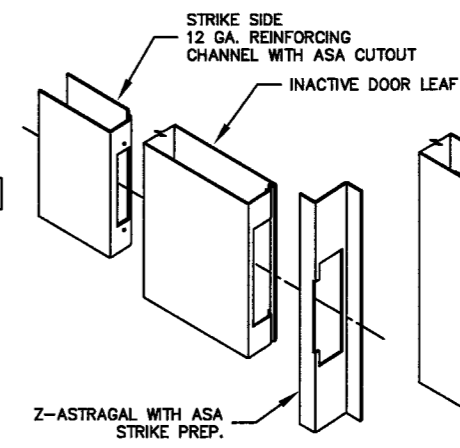
CYLINDRICAL LOCK
SECTIONS B-2, B-3, B-4 (SEE SHT.1)



RIM EXIT DEVICE
SECTIONS B-5, B-6, B-11 (SEE SHT.1)

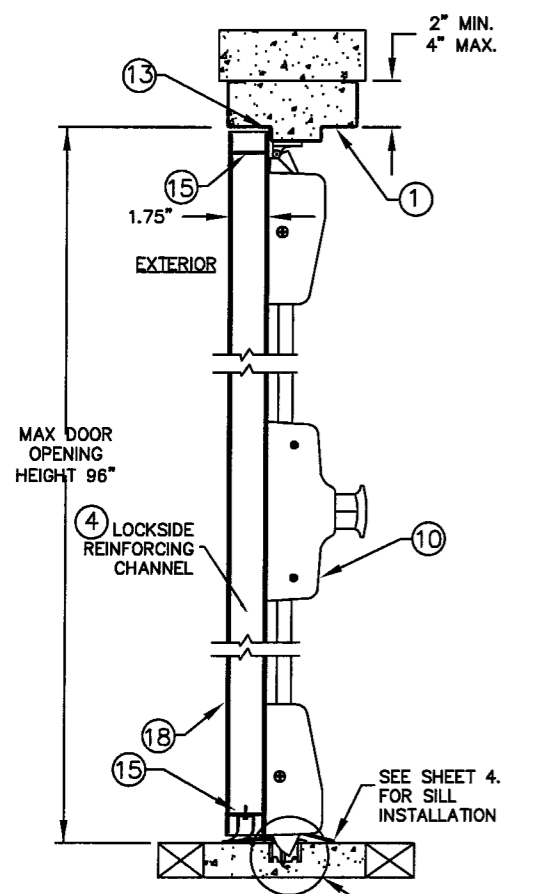


INACTIVE LEAF WITH IVES 361
SURFACE BOLTS
IN TOP AND BOTTOM
SECTIONS C-1, C-2, C-3, C-4
(SEE SHT. 1)

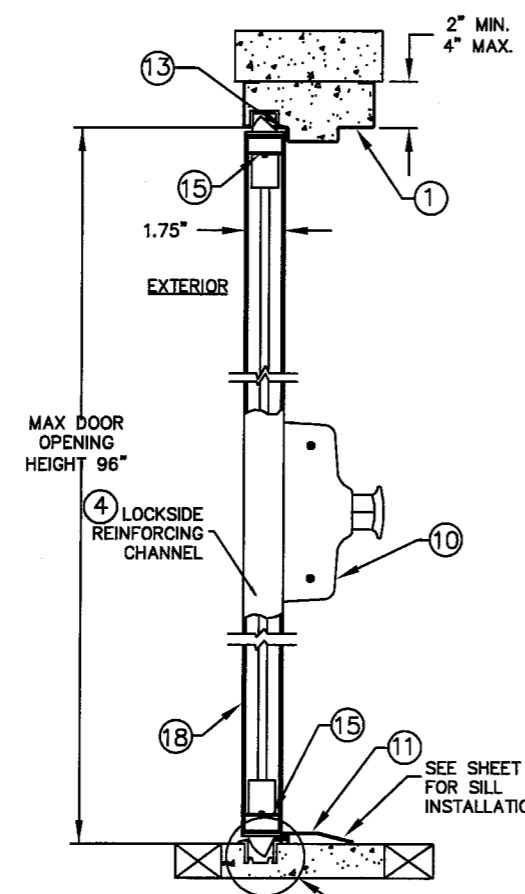


INACTIVE LEAF
ASA STRIKE PREP
AND ASSEMBLY DETAIL

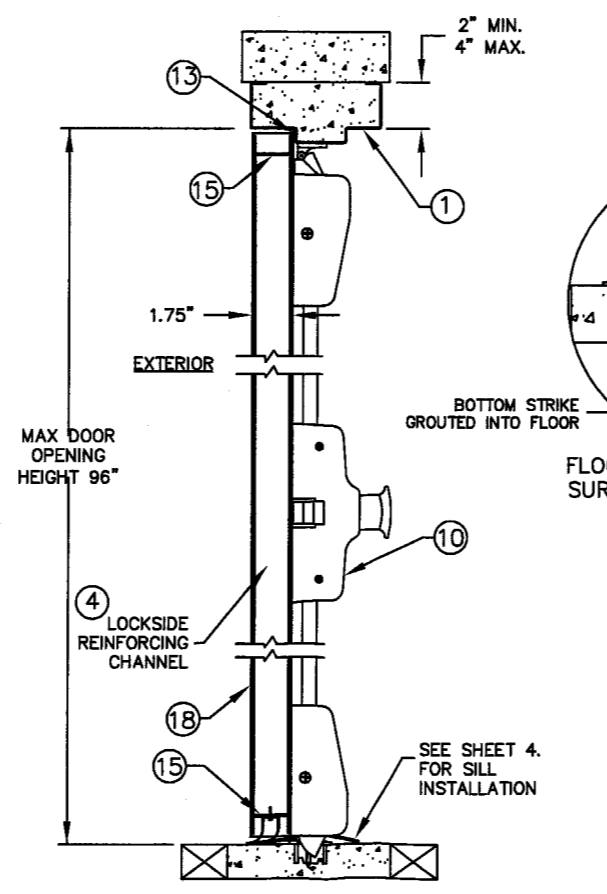
Gordon Thomas 4/14/10
Date
Gordon Thomas, P.E.
3759 Blossom Court
Mason, OH 45040
Florida # 46718



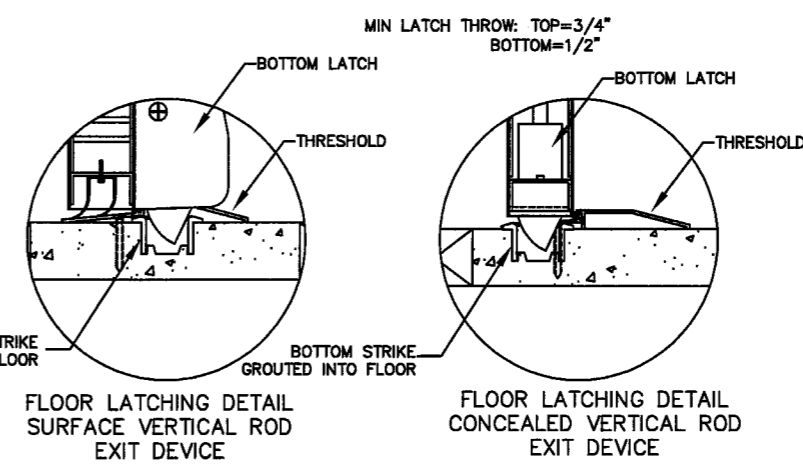
SURFACE VERTICAL ROD EXIT DEVICE
SECTION B-7 (SEE SHT.1)



CONCEALED VERTICAL ROD EXIT DEVICE
SECTION B-8 (SEE SHT.1)



THREE-POINT LATCHING EXIT DEVICE
SECTIONS B-9, B-10 (SEE SHT.1)




FLOOR LATCHING DETAIL
SURFACE VERTICAL ROD
EXIT DEVICE

FLOOR LATCHING DETAIL
CONCEALED VERTICAL ROD
EXIT DEVICE

- NOTES:
1. FOR MAXIMUM DOOR & UNIT OPENING SIZES SEE ELEVATION SHEET 1 AND TABLE 1 ON SHT 2 OF 11.
 2. SEE SHEET 4 FOR ANCHOR INSTALLATION DETAILS.

PRODUCT RENEWED
as complying with the Florida
Building Code
Acceptance No 10-0209-06
Expiration Date MAY 5 2015
By Ishaq J. Chaudhry
Miami Dade Product Control
Division

BEND RADIUS		 Ingersoll Rand Security Technologies	
THIRD ANGLE PROJECTION			
DRAWN YMF	DATE 05/20/07	TITLE MIAMI-DADE PRODUCT APPROVAL	
CHECKED		VERTICAL CROSS SECTIONS FOR FLUSH DOUBLE DOORS.	
APPROVED		SIZE	FLAT
ENG. APPVL JPD	10/12/07	DWG NO.	IRFD07
SCALE: NTS		AUTOCAD	REV J
		SHEET 11 OF 11	