



**BUILDING CODE COMPLIANCE OFFICE (BCCO)
PRODUCT CONTROL DIVISION**

MIAMI-DADE COUNTY, FLORIDA
METRO-DADE FLAGLER BUILDING
140 WEST FLAGLER STREET, SUITE 1603
MIAMI, FLORIDA 33130-1563
(305) 375-2901 FAX (305) 375-2908
www.buildingcodeonline.com

NOTICE OF ACCEPTANCE (NOA)

**Ingersoll-Rand
6810 Hillsdale Court
Indianapolis, IN 46250**

SCOPE:

This NOA is being issued under the applicable rules and regulations governing the use of construction materials. The documentation submitted has been reviewed by Miami-Dade County Product Control Division and accepted by the Board of Rules and Appeals (BORA) to be used in Miami Dade County and other areas where allowed by the Authority Having Jurisdiction (AHJ).

This NOA shall not be valid after the expiration date stated below. The Miami-Dade County Product Control Division (In Miami Dade County) and/or the AHJ (in areas other than Miami Dade County) reserve the right to have this product or material tested for quality assurance purposes. If this product or material fails to perform in the accepted manner, the manufacturer will incur the expense of such testing and the AHJ may immediately revoke, modify, or suspend the use of such product or material within their jurisdiction. BORA reserves the right to revoke this acceptance, if it is determined by Miami-Dade County Product Control Division that this product or material fails to meet the requirements of the applicable building code.

This product is approved as described herein, and has been designed to comply with the Florida Building Code, including the High Velocity Hurricane Zone.

DESCRIPTION: IR "H" Series Double Outswing glazed Commercial Steel Doors w / Sidelites & Transom

APPROVAL DOCUMENT: Drawing No "975W", titled "H-16 4 FG 6070 outswing Doors", sheets 1 through 8 of 8, prepared by the manufacturer, dated 02-23-03 and last revised on 09/17/08, signed and sealed by Thomas Gordon, P.E., bearing the Miami-Dade County Product Control Renewal stamp with the Notice of Acceptance number and expiration date by the Miami-Dade County Product Control Division.

MISSILE IMPACT RATING: Large Missile Impact Resistant

Limitation:

1. Doors are not rated for Water infiltration.
2. Electrical/Electronic function is not part of this approval, such functions to be reviewed and approved by AHJ.

LABELING: Each unit shall bear a permanent label with the manufacturer's name or logo, city, state and following statement: "Miami-Dade County Product Control Approved", unless otherwise noted herein.

RENEWAL of this NOA shall be considered after a renewal application has been filed and there has been no change in the applicable building code negatively affecting the performance of this product.

TERMINATION of this NOA will occur after the expiration date or if there has been a revision or change in the materials, use, and/or manufacture of the product or process. Misuse of this NOA as an endorsement of any product, for sales, advertising or any other purposes shall automatically terminate this NOA. Failure to comply with any section of this NOA shall be cause for termination and removal of NOA.

ADVERTISEMENT: The NOA number preceded by the words Miami-Dade County, Florida, and followed by the expiration date may be displayed in advertising literature. If any portion of the NOA is displayed, then it shall be done in its entirety.

INSPECTION: A copy of this entire NOA shall be provided to the user by the manufacturer or its distributors and shall be available for inspection at the job site at the request of the Building Official.

This NOA revises & renews NOA # 03-0611.04 consists of this page 1 and evidence pages E1 & E-2, as well as approval document mentioned above.

The submitted documentation was reviewed by **Ishaq I. Chanda, P.E.**



NOA No 08-0715.03
Expiration Date: September 11, 2013
Approval Date: October 30, 2008
Page 1

8
10/7/08

Ingersoll-Rand

NOTICE OF ACCEPTANCE: EVIDENCE SUBMITTED

- A. **DRAWINGS** (transferred from file # **03-0611.04**)
1. Manufacturer's parts and sections drawings.
 2. Drawing No "**975W**", titled "H-16 4 FG 6070 outswing Doors", sheets 1 through 8 of 8, prepared by the manufacturer, dated 02-23-03 and last revised on 09/17/08, signed and sealed by Thomas Gordon, P.E.
- B. **TESTS** (transferred from file # **03-0611.04**)
1. Test report on
 - 1) Air Infiltration Test, per TAS 202-94
 - 2) Uniform Static Air Pressure Test, Loading per TAS 202-94
 - 3) Large Missile Impact Test per FBC, TAS 201-94
 - 4) Cyclic Wind Pressure Loading per FBC, TAS 203-94
 - 5) Forced Entry Test, per PA 202-94
- Along with manufacturer's parts and section drawings of double glazed outswing steel doors w/ sidelites & Transom, marked by Certified Testing Lab, Test Reports No(s). **CTLA-975W** dated Jan 23, 2003 and **CTLA-776W-1** dated April 25, 2002, both signed and sealed by Ramesh Patel, P.E.
- C. **CALCULATIONS:**
1. Statement of compliance & anchor verification evaluation report, dated 01-26-2005 and last revised on 06/09/2006, prepared, signed & sealed by Thomas Gordon., P.E.
- D. **QUALITY ASSURANCE BY;**
1. Miami-Dade County Building Code Compliance Office (BCCO).
- E. **MATERIAL CERTIFICATIONS**
1. Notice of Acceptance No. **07-1116.04** issued to E.I. DuPont DeNemours for "SentryGlasPlus", expiring on 01/14/2012.
 2. Notice of Acceptance No. **08-0303.05** issued to Sabic Polymers (Former Genael Electric Inc.) for "Lexan sheet", expiring on 03/15/2012.
 3. Tensile test report # **CTLA-776W (0194H)**, dtd 02/25/02 prepared by Certified Testing Lab, face sheet samples, tested per ASTM E8, signed & sealed by Ramesh Patel, P.E.
 4. Tensile Test report No. **A103W1-Test 1, 2 & 3** dated 23 APR 03 per ASTM E-8 for steel face sheet, prepared by Certified Testing laboratory, signed and sealed by Ramesh Patel, P.E.
 5. Test Report No. **03NK2370/R145081**, January 21, 2003, issued by Underwriters laboratories Inc for "Surface Burning Characteristics of Building material" per ASTM E84-00a and self Ignition per ASTM 1929D for "Elfoam H200", issued to Elliott Co. of Indianapolis Inc.
 6. Tensile Test report No. **A103W1-Test 1, 2 & 3** dated 23 APR 03 per ASTM E-8 for steel face sheet, prepared by Certified Testing laboratory, signed and sealed by Ramesh Patel, P.E.

Ishaq I. Chanda

Ishaq I Chanda, P.E.
Product Control Examiner
NOA No 08-0715.03

Expiration Date: September 11, 2013
Approval Date: October 30, 2008

NOTICE OF ACCEPTANCE: EVIDENCE SUBMITTED

E. MATERIAL CERTIFICATIONS (continue)

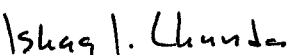
7. Test Report No. **NER-384**, reissued dated May 01, 1994, issued by National Evaluation Service Inc to Huntsman Chemical Corporation for “Expanded Polystyrene EPS” for grade 86 & grade 54 for “Surface Burning Characteristics of Building material” per ASTM E 84.
8. Test Report No. **9691**, dated August 28, 1987, 1994, issued by United Testing Company Inc. to Huntsman Chemical Corporation for “Expanded Polystyrene EPS” for grade 86 & 54 for “Self Ignition Temperature Test” per ASTM D-1929.

F. STATEMENTS

1. Letter of conformance & “No financial interest” dated July 14, 2008, signed and sealed by Gordon Thomas, P.E.
2. Laboratory Statement of compliance, part of the above referenced test reports

G. OTHER

1. **This NOA revises & renews NOA # 03-0611.04, expired on 09/11/08.**



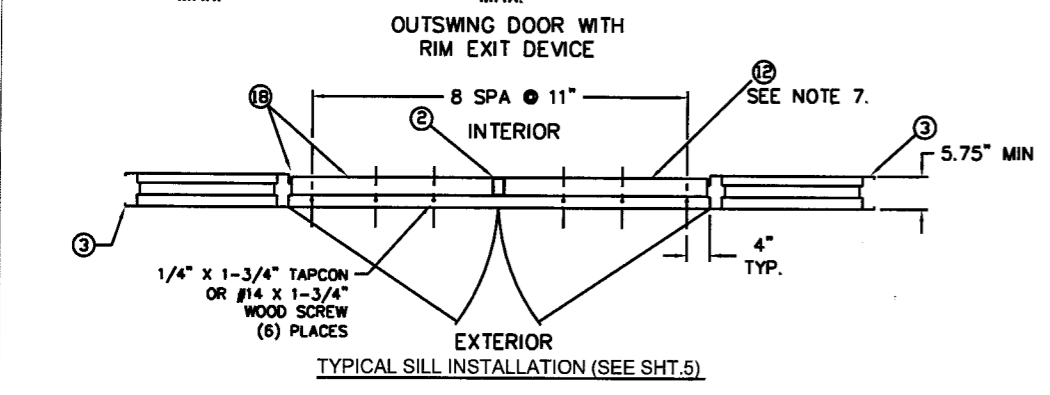
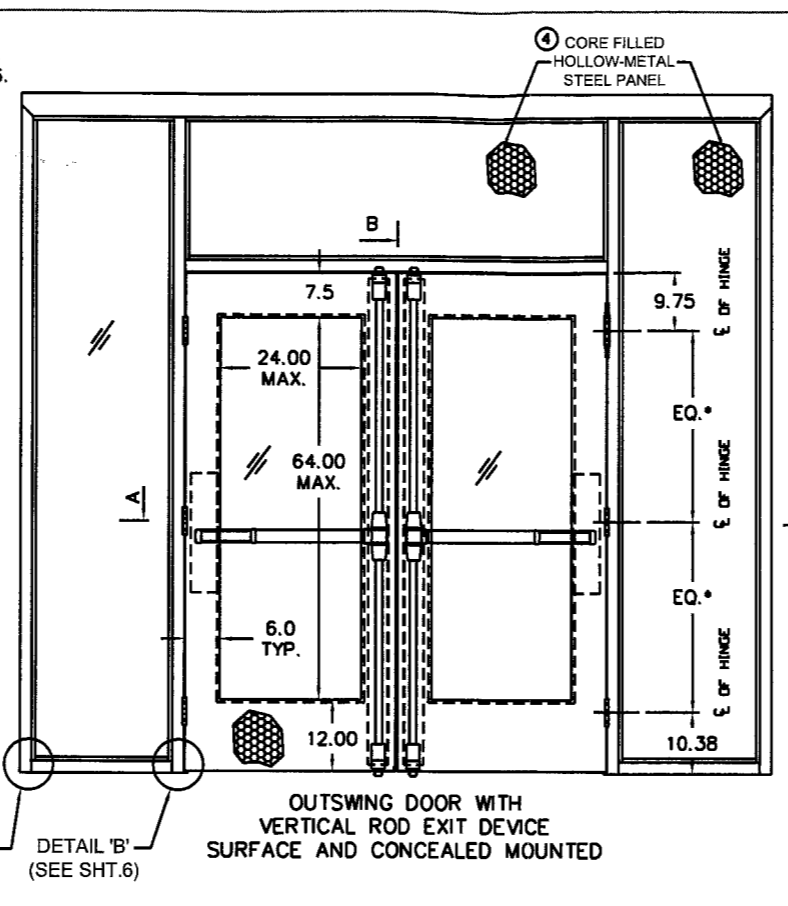
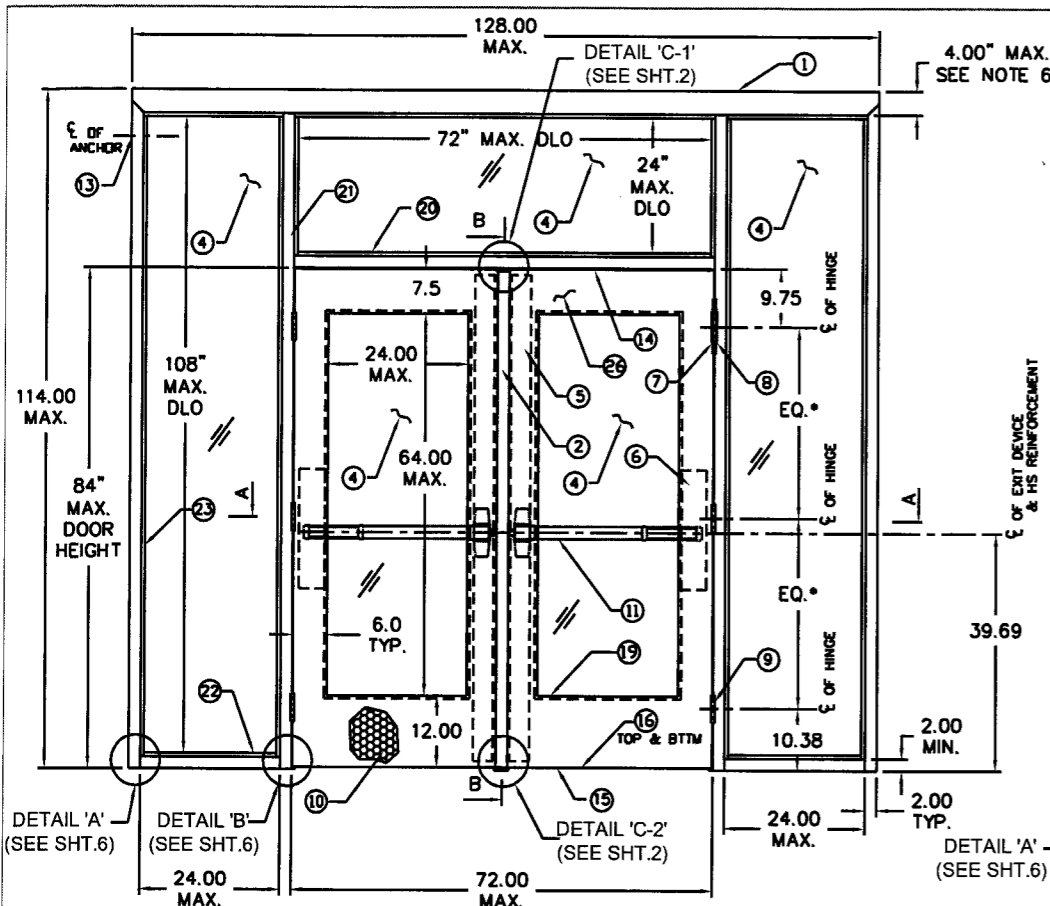
Ishaq I Chanda, P.E.

Product Control Examiner

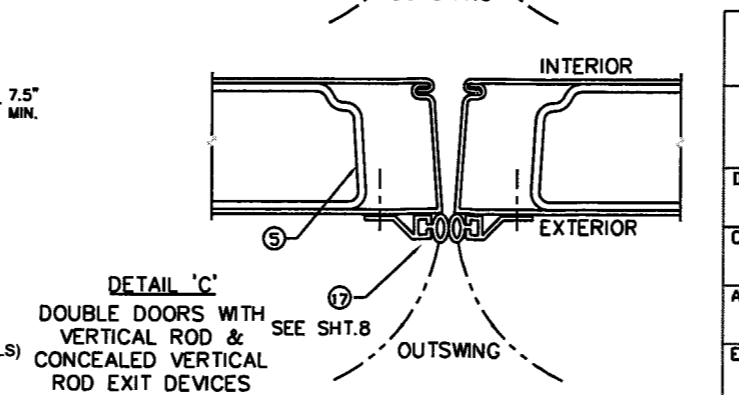
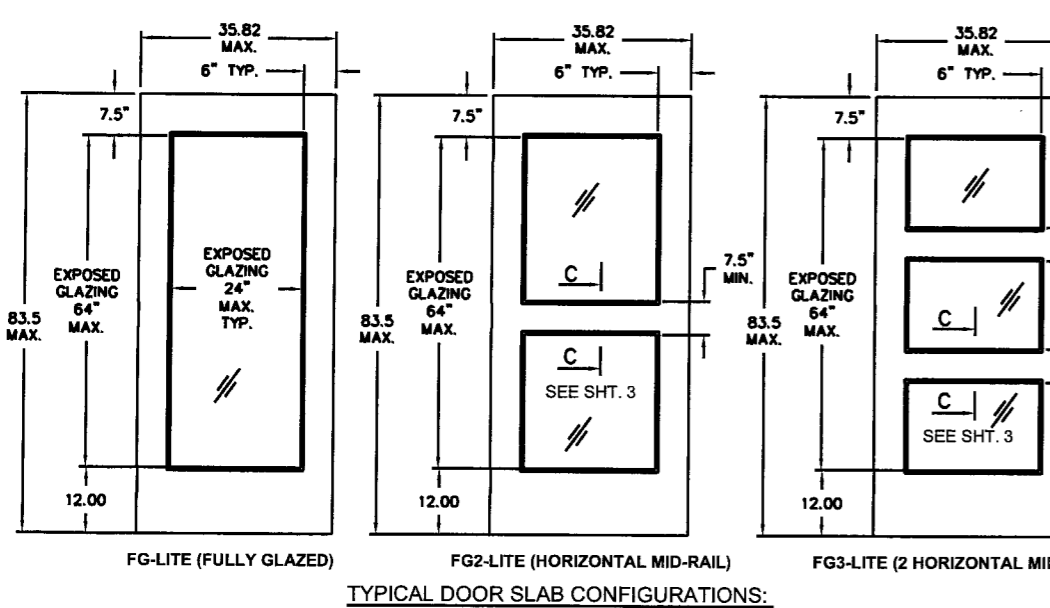
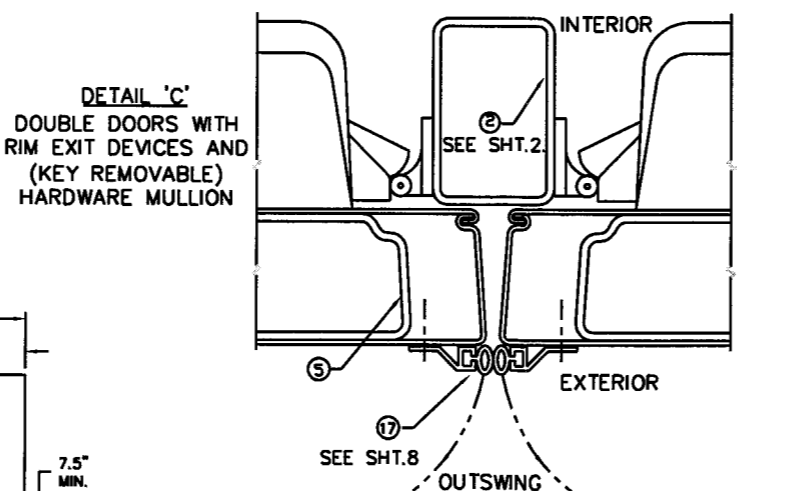
NOA No 08-0715.03

Expiration Date: September 11, 2013

Approval Date: October 30, 2008



DESIGN PRESSURE RATING		
	WHERE WATER INFILTRATION REQUIREMENT IS NEEDED	WHERE WATER INFILTRATION REQUIREMENT IS NOT NEEDED
POSITIVE	NOT APPROVED	+ 60 PSF
NEGATIVE	NOT APPROVED	- 60 PSF



REVISIONS

LTR	DESCRIPTION	DATE	APPROVED
C	REV'D DWGS.	09/12/08	<i>[Signature]</i>

PRODUCT RENEWED as complying with the Florida Building Code Acceptance No. 06-0715.03 Expiration Date: SEPT 15, 2012
By *[Signature]*
Miami-Dade Product Control Division

- NOTES:
- WEATHERSTRIPPING. - WHEN WATER INFILTRATION IS NOT NEEDED INSTALL WEATHERSTRIPPING PER SHT.7. ONE ROW OF PS074 WEATHERSTRIPPING PER JAMB AND HEAD OF DOOR OPENING. - WHEN WATER INFILTRATION IS REQUIRED - INSTALL PER SHT.8.
 - ANCHOR REQUIREMENTS: SEE SHEET 6 FOR APPROVED ANCHORS AND INSTALLATION.
 - HINGE REQUIREMENTS: FOR DOOR OPENING WITH 70" MAX. HEIGHT - MIN (3) HINGES LOCATIONS: 9.75" FROM RABBIT IN HEAD TO CL OF TOP HINGE 10.38" FROM FLOOR TO CL OF BOTTOM HINGE, EQUALLY SPACED BETWEEN.
 - SEE SHEET 5 FOR AVAILABLE STANDARD OPENING SIZES AND SPECIFICATIONS.
 - HARDWARE INSTALLATION AS PER MANUFACTURER'S INSTRUCTIONS.
 - 4" FACE HEAD IS AVAILABLE FOR PERIMETER FRAME.
 - APPLY CAULK AS NEEDED.
 - SEE SHEET 2 FOR SECTION A-A, SEE SHEET 3 FOR SECTION B-B.
 - DOOR-LITE AVAILABLE CONFIGURATIONS: FG (AS TESTED), FG2, FG3, G.V.N3, N4, LNL (SEE SHEET 5). SURFACE APPLIED MUNTINS (FALSE DIVIDERS) ARE AVAILABLE (SEE SHT.5)
 - INSTALL REINFORCEMENT CHANNELS AROUND EACH LITE-CUTOUT.
 - PANIC HARDWARE OPTIONS: FOR 98/99 SERIES - FUNCTIONS E, RX, LX, SS, EL, CX, F TRIMS: 990EO, 990PT, 990NL, 990TP, 992L, 994L, 991K FOR 88-F SERIES - FUNCTION E TRIMS: 880DT, 880NL, 880TP, 880K, 373L
 - PN MODEL OFFERED.
 - ELECTRICAL INSTALLATION IS UNDER SEPARATE APPROVAL AND MUST BE REVIEWED BY CORRESPONDING AUTHORITY.
 - OPTIONAL "SIGNAL SWITCH" MAY BE USED AS ALLOWED BY CODE AND IT DOES NOT EFFECT THE MECHANICAL PROPERTIES OF EXIT DEVICE AND/OR INHIBIT EGRESS.
 - ITEMS 24 THROUGH 29 REQUIRED ONLY IF WATER INFILTRATION IS NEEDED.

ITEM	QUANTITY	DESCRIPTION	MATERIAL	SIZE
1	1	PERIMETER HEAD SEE SHT 7	16 GA. MIN.	.053" MIN. STL MAX. 128"
2	1	VON DUPRIN (KR)9954 MULLION USED W/RIM HDWE	.125" A500 STL	MAX. 96"
3	2	PERIMETER JAMB SEE SHT 7	.053" MIN. STL	MAX. 112"
4	5	SIDE OR TRANSOM PANEL/LITE 1) STEEL PANEL 2) POLYCARBONATE SHEET (LEXAN, HYZOD) 3) LAMINATED GLASS (SENTRYGLAS PLUS)	.041" MIN. STL 5" MIN. THICK .562" MIN. THICK	1.75" x 24" x 108" MAX. 24" x 108" MAX.
5	2	LOCK SIDE REINFORCEMENT CHANNEL	.093" MIN. STL	1.66" x 3.5" x 81.44" MAX.
6	2	HINGE SIDE REINFORCEMENT BOX	.067" MIN. STL	1.66" x 4" x 20" MIN.
7	NOTE 3	HINGE REINFORCEMENT DOOR	.171" MIN. STL	1.28" x 9.19"
8	NOTE 3	HINGE REINFORCEMENT FRAME	.171" MIN. STL	1.3" x 9.187" MAX.
9	NOTE 3	4.5" x 4.5" BUTT HINGES (SEE SHT.2) OPTIONAL CONTINUOUS HINGE (SEE SHT.2)	X .134 .067" MIN. STL / 12 ALUM	(8) #12-24 MS PER HINGE MAX. 83"
10	2	CORE MATERIAL (SHEET 5): A) HONEYCOMB B) STEEL STIFFENED C) POLYSTYRENE D) POLYURETHANE E) MINERAL BOARD TEMPERATURE RISE CORE		
11	2	LOCKING HARDWARE - EXIT DEVICE A) VON DUPRIN 99 RIM B) VON DUPRIN 88 RIM C) VON DUPRIN 9927 SURFACE VERT. ROD D) VON DUPRIN 9947-F CONCEALED VERT. ROD E) VON DUPRIN 3347-F CONCEALED VERT. ROD		
12	1	THRESHOLD SILL W/BUMPER GASKET 1) NATL GUARD 950A 2) ZERO 566A 3) PENKO 2003AS	.100" ALUM. 6063 T5	5.50" x 0.5" x 96" MAX.
13	NOTE 2	JAMB ANCHOR	3/16" DIA. BASIC WIRE	5.19" x 9.56"
14	6	PS074 WEATHER STRIPPING	TPE	MAX. 24"
15	2	FAS-SEAL DOOR SWEEP	TPE	MAX. 35.66"
16	4	END CHANNEL, 14 GA.		.69" x 1.66" x 35.66" MAX.
17	2	SPLIT ASTRAGAL	SEE SHEET 8	
18	AS NEEDED	BUTYL RUBBER OR 100% SILICONE GLASS HOLDING DOOR TRIM		
19	2	1) DEZIGNER TRIM 2) STEEL OVERLAPPING TRIM UP TO 3/4" GLASS	.024" MIN. STL .035" MIN. STL	22.5" x 62.5" EXPOSED GLASS MAX.
20	1	TRANSOM BAR MULLION, 16 GA. MIN.	.053" MIN. STL	MAX. 72"
21	2	SINGLE HINGE MULLION, 16 GA. MIN.	.053" MIN. STL	MAX. 110"
22	2	SILL SECTION	.053" MIN. STL	MAX. 24"
23	12	GLAZING BEAD	.035" MIN. STL	45" x 625" x 108" MAX.
24	2	TOP CAP GALV. A60 ASTM A924 (NOTE 15)	.024" MIN. STL	0.5" x 1.719" x 35.66" MAX.
25	NOTE 10	CUTOUT REINFORCEMENT CHANNEL (18 GA)	.047" MIN. STL	0.5" x 1.5" x 64.063" MAX.
26	2	DOOR SLAB (16 OR 14 GA)	SEE SHEET 5	3' x 7' MAX.

BEND RADIUS

THIRD ANGLE PROJECTION

DRAWN YMF DATE 02.24.03

CHECKED

APPROVED

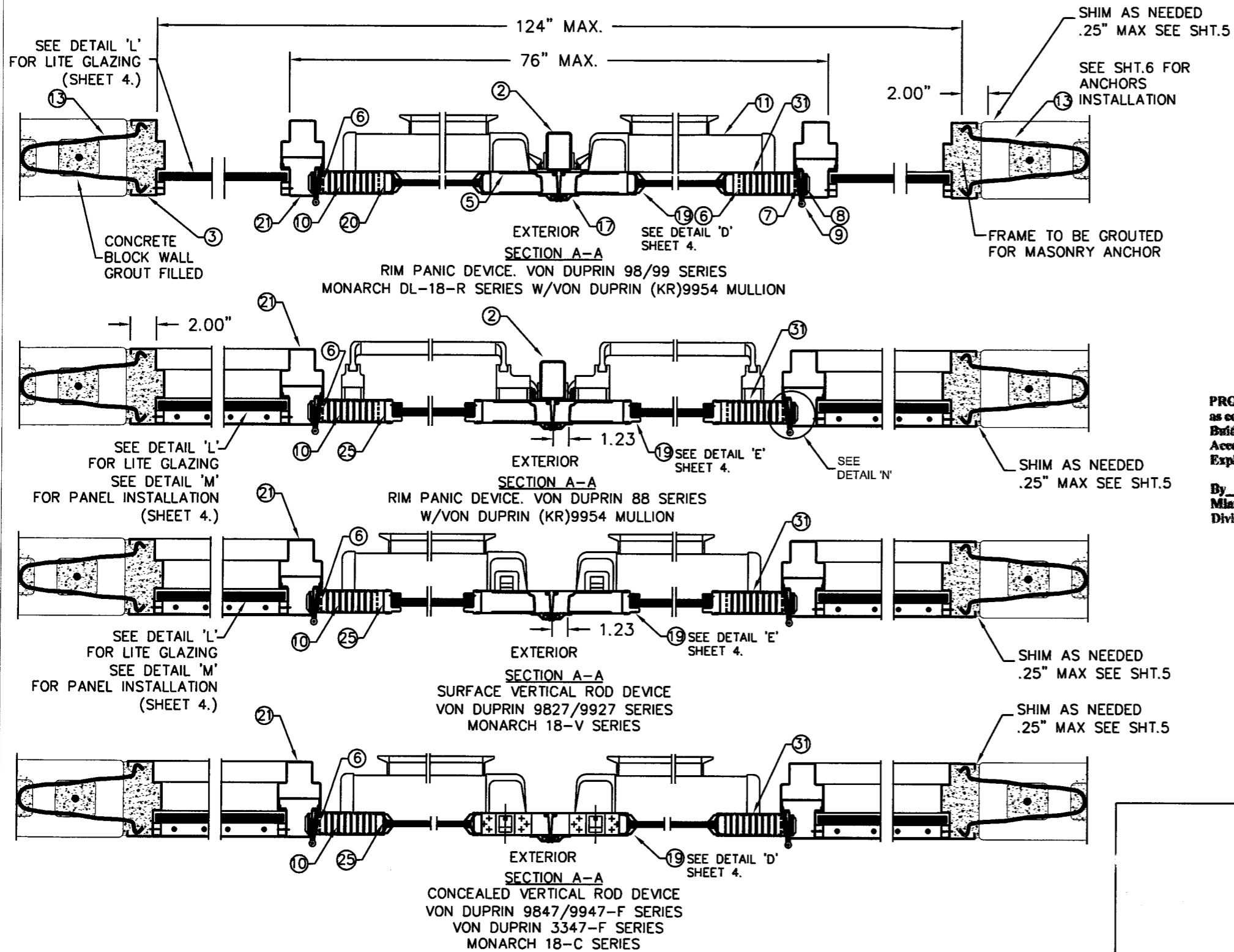
ENG. APPVL

INGERSOLL-RAND COMPANY
STEELCRAFT MFG.
9017 BlueAsh Rd. Cincinnati Ohio 45242

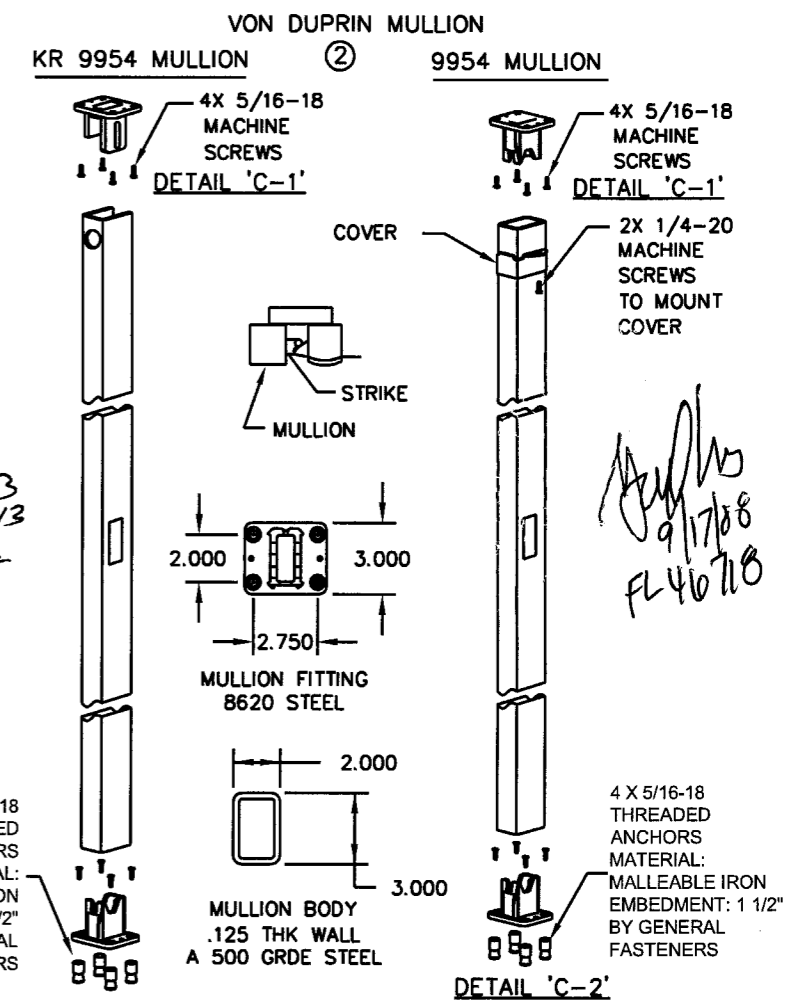
TITLE DADE COUNTY
H16 4 FG 6070 DOUBLE DOORS (OUTSWING)
FULL GLASS CONFIGURATION
WITH SIDE AND TRANSOM PANEL/LITES
IR EXIT HARDWARE

SIZE FLAT DWG NO. 975W SHEET 1 OF 8 REV C

SCALE: NTS AUTOCAD SHEET OF



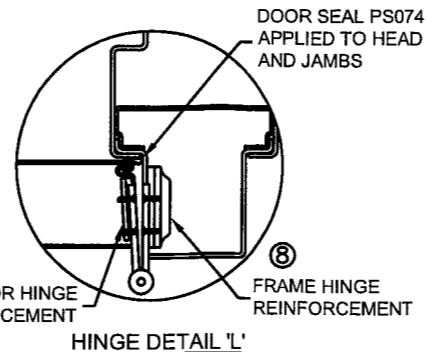
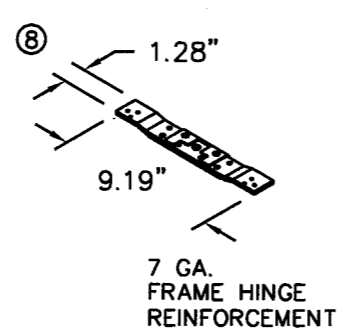
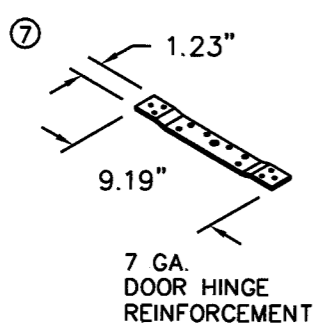
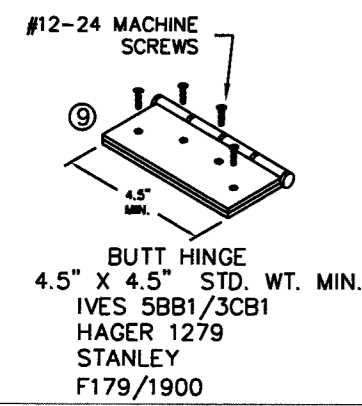
REVISIONS			
LTR	DESCRIPTION	DATE	APPROVED
C	REV'D DWG.	08/26/08	



PRODUCT RENEWED
 as complying with the Florida
 Building Code
 Acceptance No. 08-0715-03
 Expiration Date SEP 11, 2013
 By Shag J. Grande
 Miami Dade Product Control
 Division

Handwritten signature and date:
 9/17/08
 FL 46118

- NOTES:**
1. SEE SHT.1 FOR ELEVATION, MATERIAL AND SIZE
 2. SEE SHT.1 NOTE 2. FOR ANCHOR REQUIREMENTS
 3. SEE SHT. 6 FOR WALL CONSTRUCTION AND ANCHORING SYSTEM
 4. SEE SHT. 5 FOR AVAILABLE OPENING SIZES, JAMB DEPTHS AND SPECIFICATIONS
 5. HARDWARE INSTALLATION IS PER MANUFACTURER'S INSTRUCTIONS

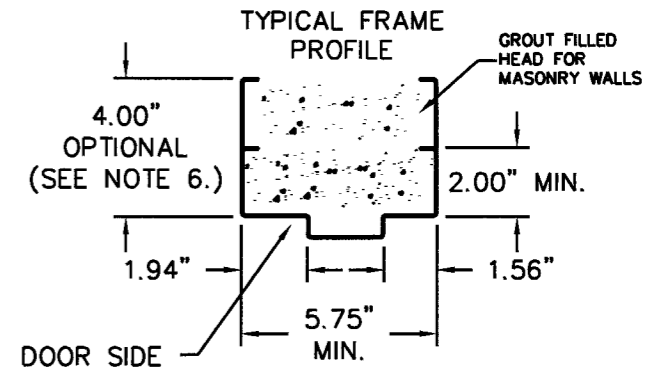
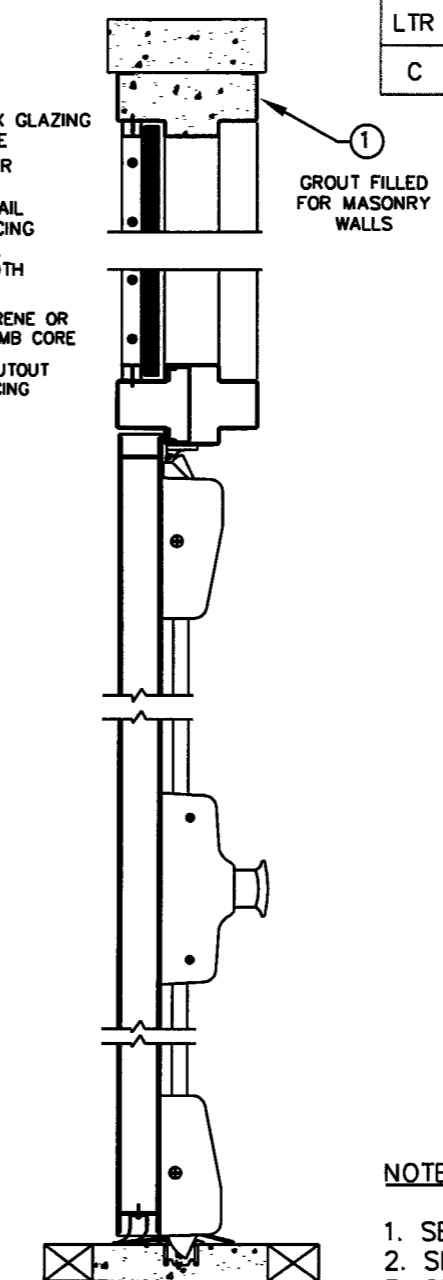
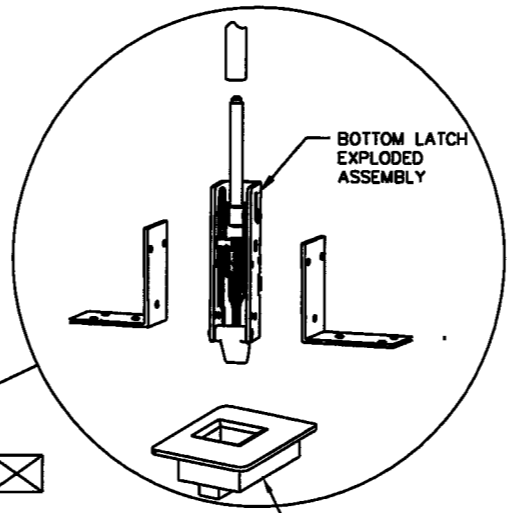
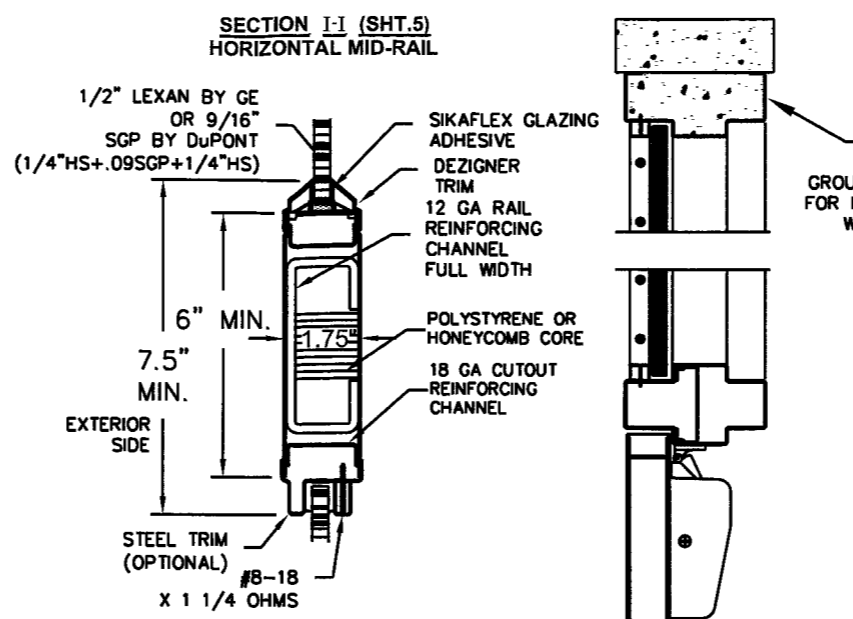
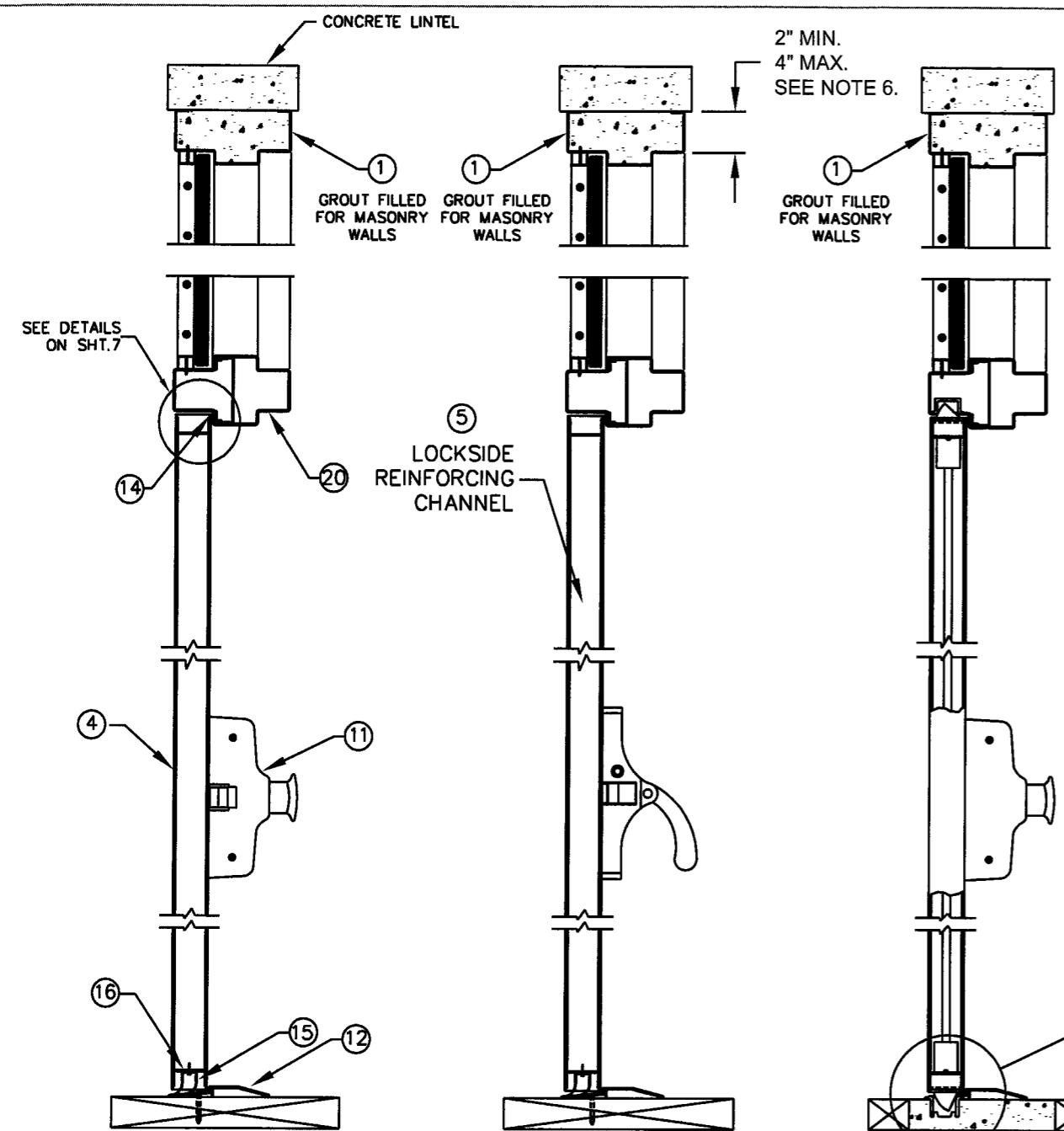


BEND RADIUS		INGERSOLL-RAND COMPANY STEELCRAFT MFG. 9017 BlueAsh Rd. Cincinnati Ohio 45242	
THIRD ANGLE PROJECTION			
DRAWN YMF	DATE 02.24.03	TITLE DADE COUNTY CROSS SECTION OF DOOR AND FRAME IR RIM EXIT HARDWARE H-SERIES FG 6070 DOUBLE DOORS FULL GLASS CONFIGURATION W/ SIDE AND TRANSOM LITES/PANEL	
APPROVED		SIZE FLAT	DWG NO. 975W
ENG. APPV.		SHEET 2 OF 8	
		SCALE: NTS	AUTOCAD

REVISIONS

LTR	DESCRIPTION	DATE	APPROVED
C	REVISION DWGS.	08/26/08	

Handwritten signature and date: 9/11/08



SECTION B-B
RIM PANIC DEVICE
VON DUPRIN 98/99 SERIES
MONARCH DL-18-R SERIES
W/VON DUPRIN (KR)9954
MULLION

SECTION B-B
RIM PANIC DEVICE
VON DUPRIN 88 SERIES
W/VON DUPRIN (KR)9954
MULLION

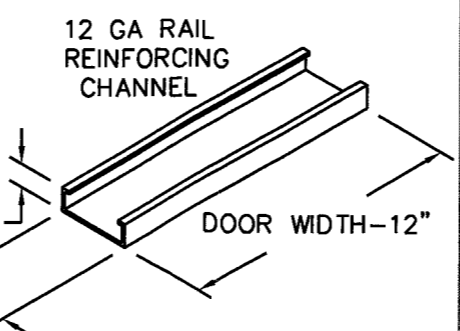
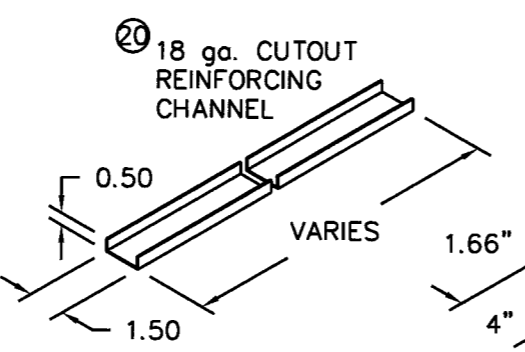
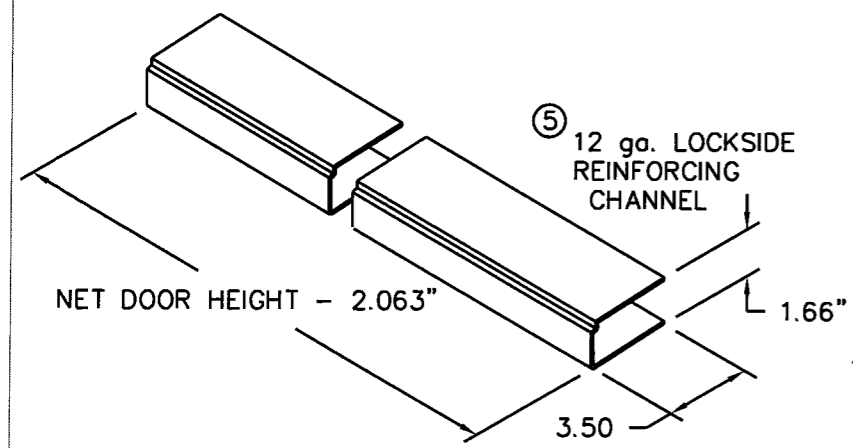
SECTION B-B
CONCEALED VERTICAL ROD PANIC DEVICE
VON DUPRIN 9947-F/9847-F
VON DUPRIN 3347-F
MONARCH 18-C SERIES

SECTION B-B
SURFACE VERTICAL ROD
PANIC DEVICE
VON DUPRIN 9827/9927
MONARCH 18-V SERIES

PRODUCT RENEWED
as complying with the Florida
Building Code
Acceptance No. 08-0715-03
Expiration Date 02/11/2013
By *Isaac L. Chand*
Miami Dade Product Control
Division

NOTES:

- SEE SHT.1 FOR ELEVATION, MATERIAL AND SIZE
- SEE SHT.1 NOTE 2. FOR ANCHOR REQUIREMENTS
- SEE SHT. 6 FOR WALL CONSTRUCTION AND ANCHORING SYSTEM
- SEE SHT. 5 FOR AVAILABLE OPENING SIZES, JAMB DEPTHS AND SPECIFICATIONS
- HARDWARE INSTALLATION IS PER MANUFACTURER'S INSTRUCTIONS
- HEAD SECTION CAN HAVE 4" FACE DIMENSION
- WALL CONSTRUCTION STRUCTURAL MEMBERS MUST COMPLY WITH APPROVED DESIGN PRESSURE RATING.



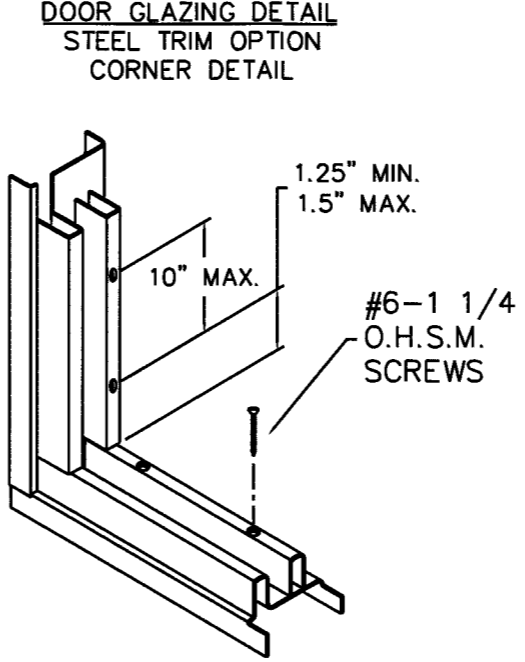
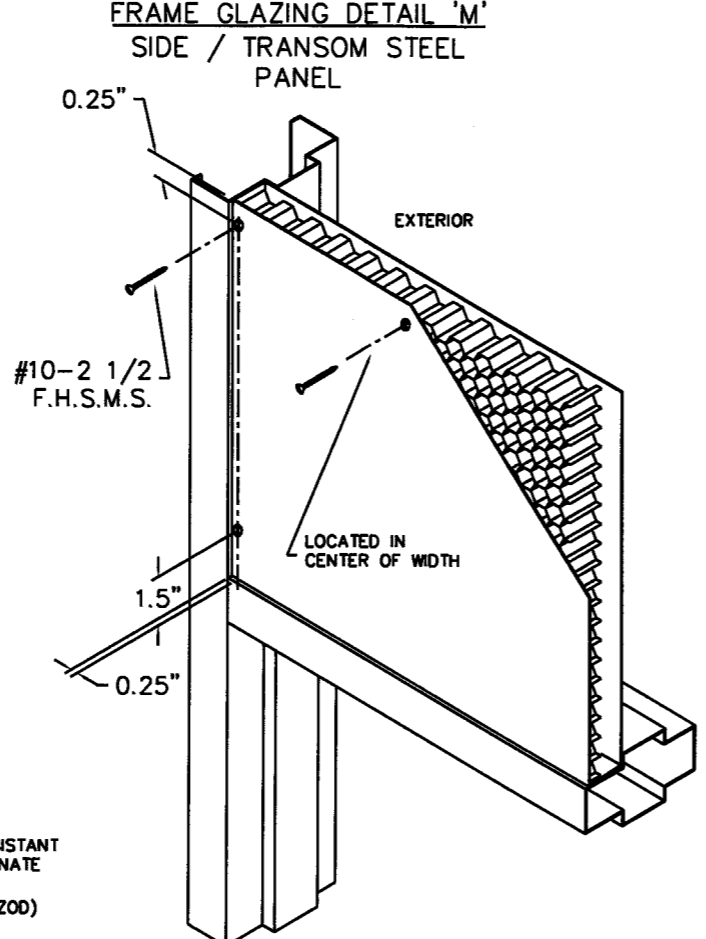
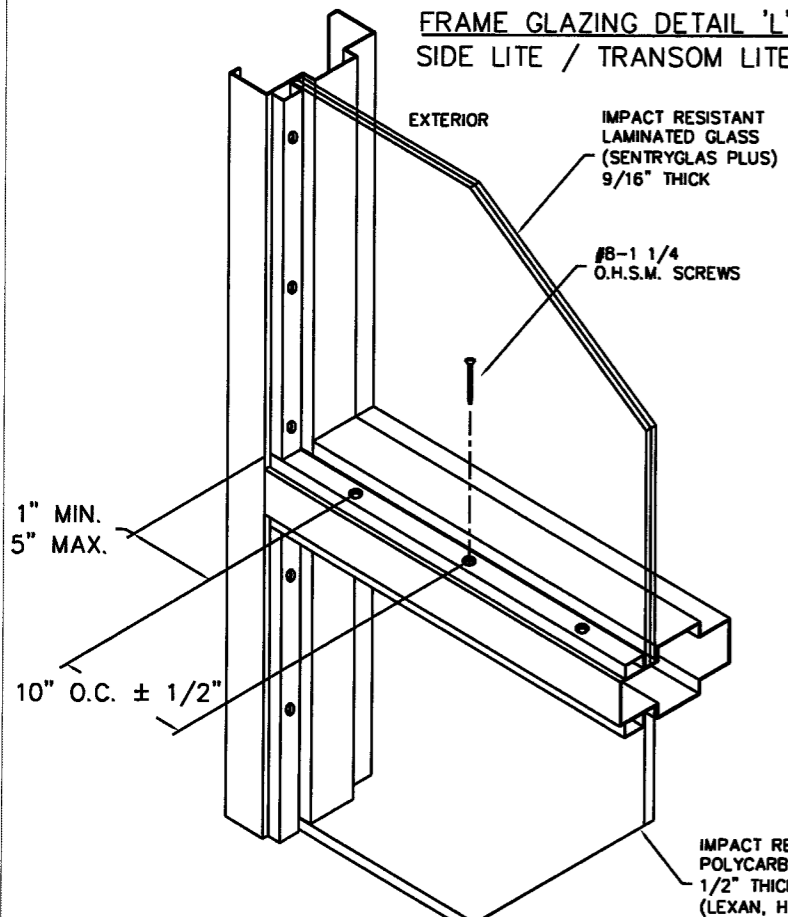
BEND RADIUS	
THIRD ANGLE PROJECTION	
DRAWN YMF	DATE 02.25.03
CHECKED	
APPROVED	
ENG. APPVL	

INGERSOLL-RAND COMPANY
STEELCRAFT MFG.
9017 BlueAsh Rd. Cincinnati Ohio 45242

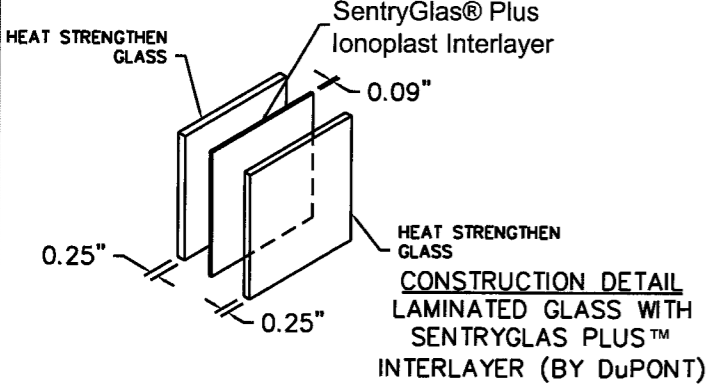
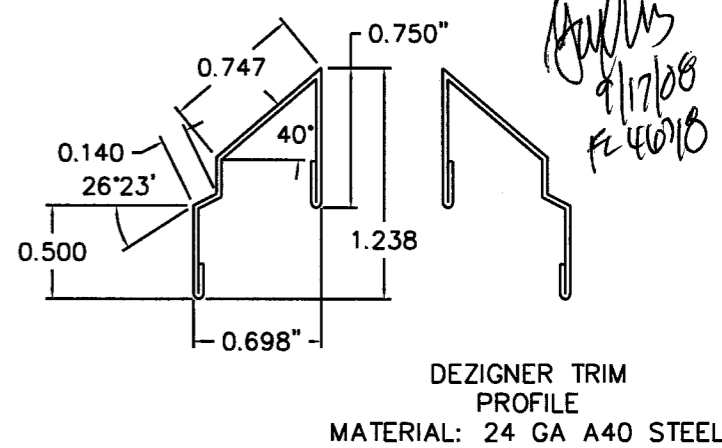
TITLE: **DADE COUNTY**
CROSS SECTION OF DOOR AND FRAME
IR EXIT HARDWARE
H-SERIES FG 6070 DOUBLE DOORS FULLY GLAZED
CONFIGURATION W/SIDE AND TRANSOM LITES/PANEL

SIZE: **FLAT** DWG NO. **975W** SHEET **3 OF 8** REV **C**

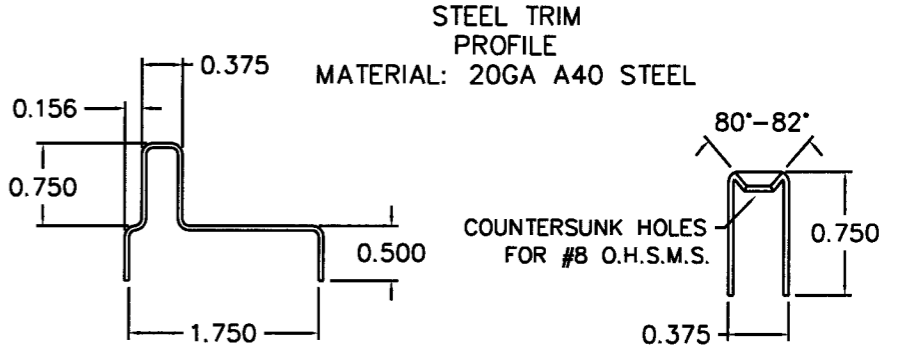
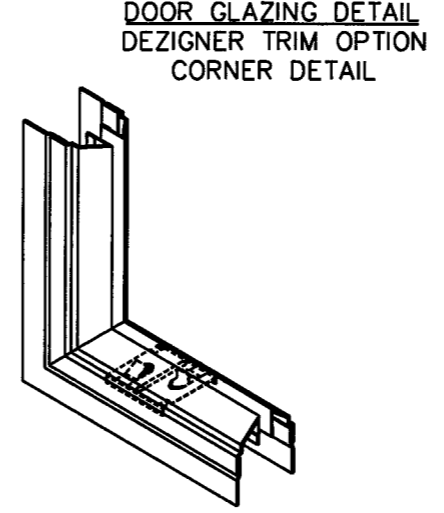
SCALE: **NTS** AUTOCAD



REVISIONS			
LTR	DESCRIPTION	DATE	APPROVED
A	APPROVAL DWGS.	02.25.03	
B	IN T/B, GLAZED WAS GLASS	06.06.03	
C	REV'D DWG	08/27/08	

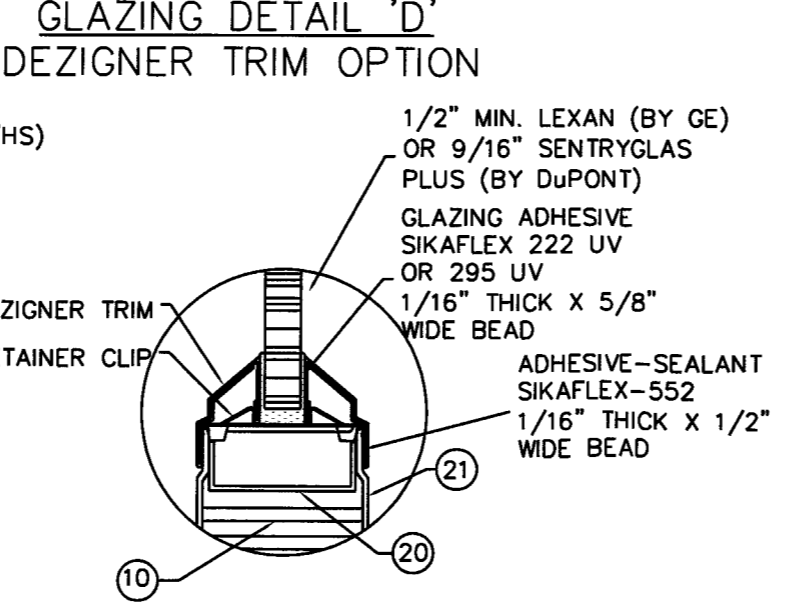
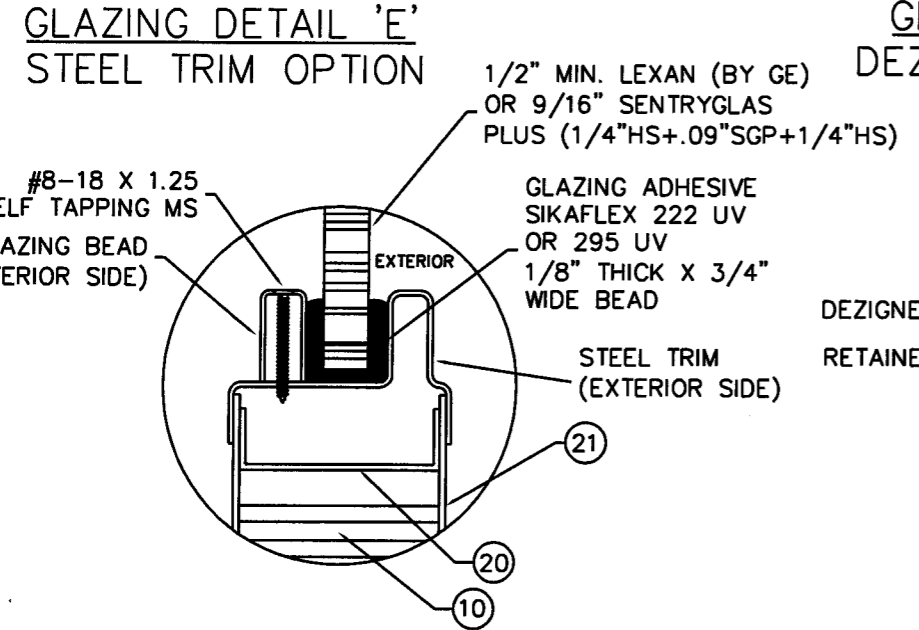


PANEL CONSTRUCTION:
 CORE MATERIAL
 - PHENOLIC RESIN IMPREGNATED HONEYCOMB W/1\"/>

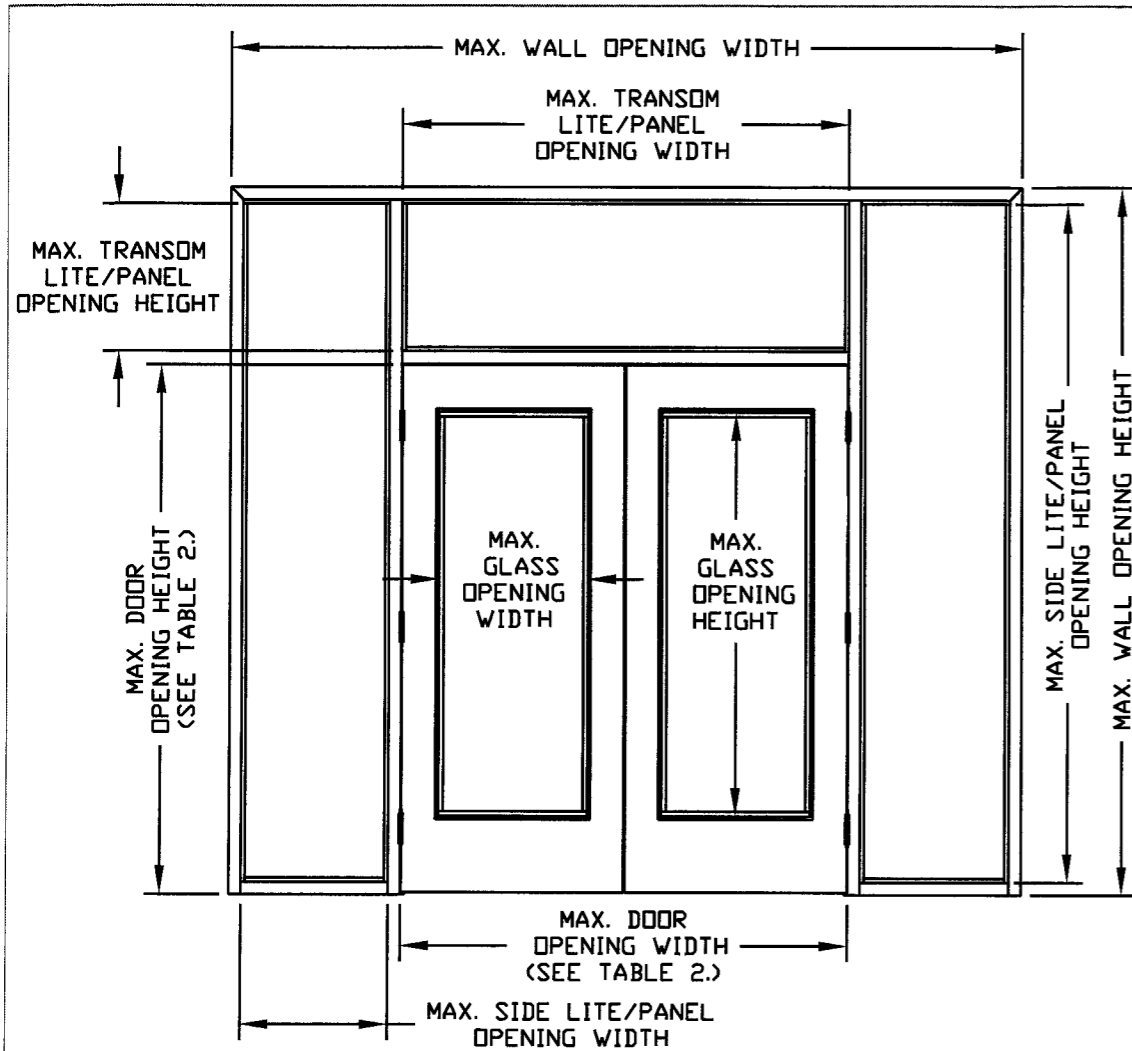


- NOTES:
1. SEE SHT.1 FOR ELEVATION, MATERIAL AND SIZE
 2. SEE SHT.1 NOTE 2. FOR ANCHOR REQUIREMENTS
 3. SEE SHT. 6 FOR WALL CONSTRUCTION AND ANCHORING SYSTEM
 4. SEE SHT. 5 FOR AVAILABLE OPENING SIZES, JAMB DEPTHS AND SPECIFICATIONS
 5. HARDWARE INSTALLATION IS PER MANUFACTURER'S INSTRUCTIONS

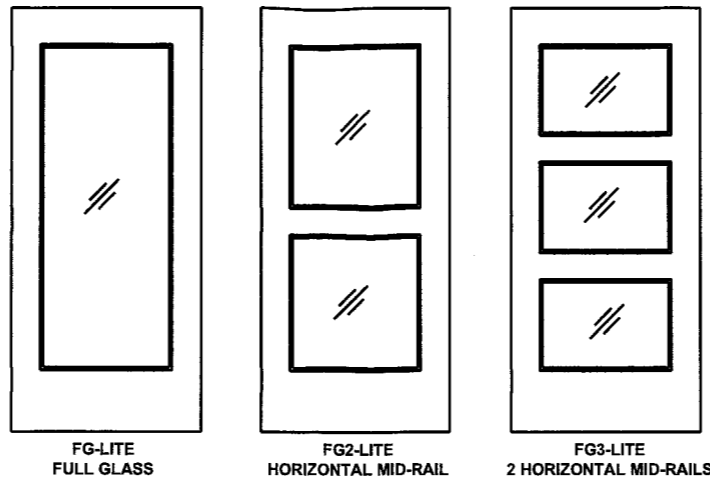
PRODUCT RENEWED as complying with the Florida Building Code Acceptance No. 08-0715-03 Expiration Date SEP 11 2013 By Isabel C. Chant Miami-Dade Product Control Division



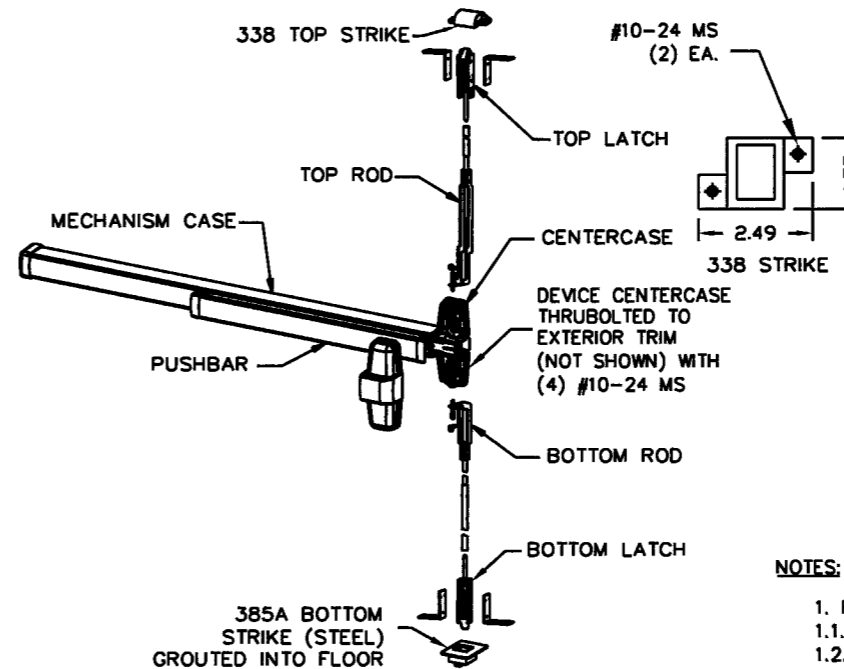
BEND RADIUS			
THIRD ANGLE PROJECTION			
DRAWN YMF	DATE 02.25.03	TITLE DADE COUNTY GLAZING AND PANEL DETAILS IR EXIT HARDWARE H-SERIES FG 6070 DOUBLE OPENING FULL GLAZED CONFIGURATION W/SIDE AND TRANSOM LITES/PANEL	
CHECKED		SIZE FLAT	DWG NO. 975W
APPROVED		SHEET 4 OF 8	REV C
ENG. APPVL		SCALE: NTS	AUTOCAD



AVAILABLE DOOR-LITE CONFIGURATIONS (SEE NOTE 2.)



REVISIONS				
LTR	DESCRIPTION	DATE	APPROVED	
B	APPROVAL DWG	YMF	01/06/05	
C	REV'D DWG		08/27/08	



PRODUCT RENEWED
 as complying with the Florida
 Building Code
 Acceptance No. 08-0715-03
 Expiration Date: SEP 14, 2013
 By: *Chang I. Chanok*
 Miami Dade Product Control
 Division

YMF
 9/17/08
 FL 46710

AVAILABLE FRAME CONFIGURATIONS (SEE NOTE 1.)

FRAME SERIES	JAMB DEPTH	FRAME MATERIAL		WALL OPENING SIZE, MAX.		TRANSOM LITE/PANEL OPENING SIZE, MAX.		SIDE LITE/PANEL OPENING SIZE, MAX.		GLAZING MATERIAL	
		DESCR.	GA./MIN. THK	WIDTH	HEIGHT	WIDTH	HEIGHT	WIDTH	HEIGHT	DESCR.	THICKNESS
F	5.75" MIN.	CRS/HRS GALV	16/.053" 14/.067" 12/.099"	10'8" (128")	9'6" (114")	6'0" (72")	2'0" (24")	2'0" (24")	9'0" (108")	POLYCARBONATE (LEXAN, HYZOD)	.5" MIN.
		STAINLESS STEEL	16/.053"							LAMINATED GLASS (SENTRYGLAS PLUS)	.56" MIN.
MU	5.75" MIN.	CRS/HRS GALV	16/.053" 14/.067"							TRANSOM PANEL WITH HONEYCOMB CORE	1.75"

VON DUPRIN 9947-F (CONCEALED) VERTICAL ROD

NOTES:

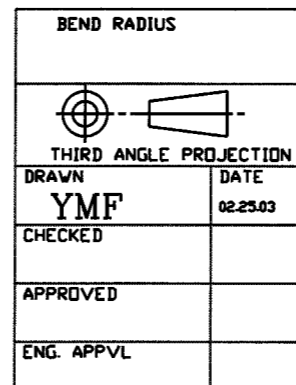
- FRAME CONSTRUCTION
 - MINIMUM JAMB DEPTH - 5 3/4", STOP HEIGHT - 5/8"
 - FRAMES AVAILABLE AS FLUSH (F-SERIES) AND MULT-USE (MU-SERIES) (SEE TABLE 1.)
 - FOR GLAZING DETAILS REFER TO SHEET 4.
 - SIDE/TRANSOM LITE/PANEL SIZES SHOWN (AS TESTED) ARE MAX. SIZES AVAILABLE. MULTIPLE LITES/PANELS ARE ACCEPTIBLE WITH TOTAL DIMENSIONS LESS OR EQUAL TO THE SHOWN MAX. DIMENSIONS.
- DOOR CONSTRUCTION
 - MINIMUM DOOR THICKNESS - 1 3/4"
 - GLASS OPENING SIZE TESTED (SEE TABLE 2.) IS MAX SIZE AVAILABLE FOR 6'0" X 7'0" DOOR OPENING. ALL SMALLER SIZES ARE ACCEPTABLE.
 - MAXIMUM GLASS OPENING SIZE WILL CHANGE IN PROPORTION WITH DOOR SIZE.
 - AVAILABLE DOOR-LITE CONFIGURATIONS: FG, FG2 & FG3.
 - FOR GLAZING DETAILS REFER TO SHEET 4.
- FOR MATERIAL SPECIFICATIONS REFERENCE SEE TABLE 3.

AVAILABLE DOOR CONFIGURATIONS (SEE NOTE 2.)

CORE MATERIAL PER SHT.7	DOOR OPENING SIZE, MAX.		SKIN MATERIAL		GLASS OPENING SIZE, MAX.		GLAZING MATERIAL	
	WIDTH	HEIGHT	DESCR.	GA./MIN. THK	WIDTH	HEIGHT	DESCR.	THICKNESS
HONEYCOMB POLYSTYRENE POLYURETHANE	6'0" (72")	7'0" (84")	CRS GALV Fy min=27.5KSi	16/.053" 14/.067"	2'0" (24")	5'4" (64")	POLYCARBONATE (LEXAN, HYZOD)	.5" MIN.
			STAINLESS STEEL	16/.053"			0.09" LAMINATED GLASS (SENTRYGLAS PLUS)	.56" MIN.

TABLE 3.

CRS ASTM A1008
HRS ASTM A1011
GALV: A60 ASTM A924
STL: 304,316 ASTM A666



INGERSOLL-RAND COMPANY
 STEELCRAFT MFG.

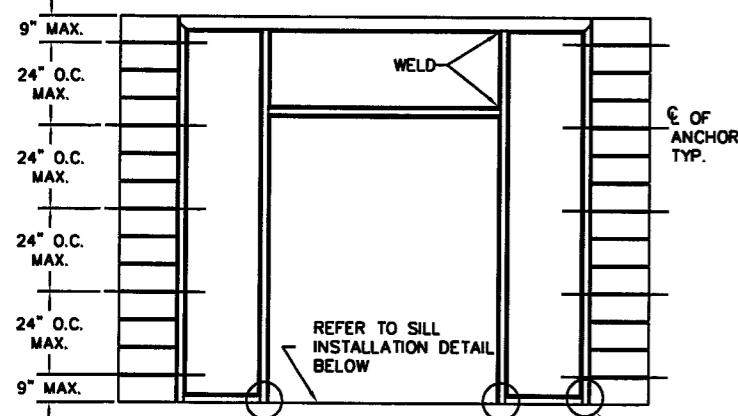
9017 BlueAsh Rd. Cincinnati Ohio 45242

DRAWN YMF		DATE 02.25.03		TITLE DADE COUNTY DOOR AND FRAME CONFIGURATIONS AND MATERIAL SPECS.	
APPROVED	SIZE FLAT	DWG NO. 975W	SHEET 5 OF 8	REV C	
ENG. APPVL	SCALE: NTS	AUTOCAD			

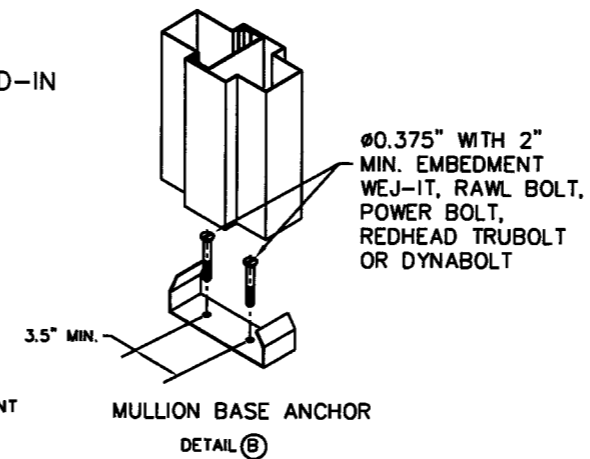
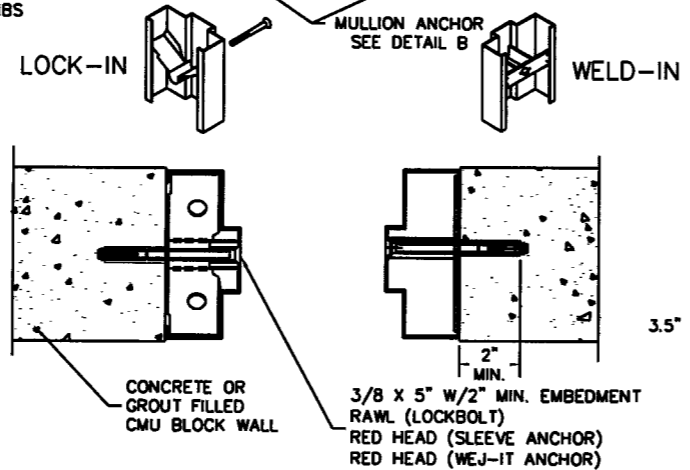
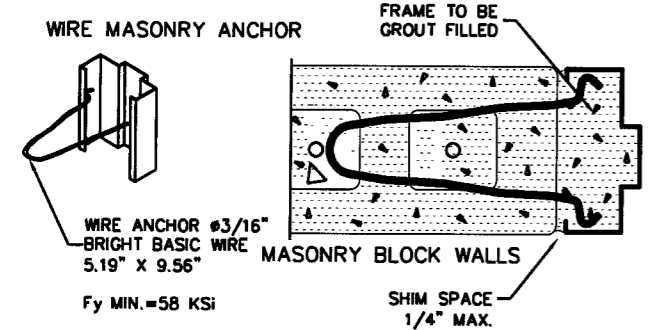
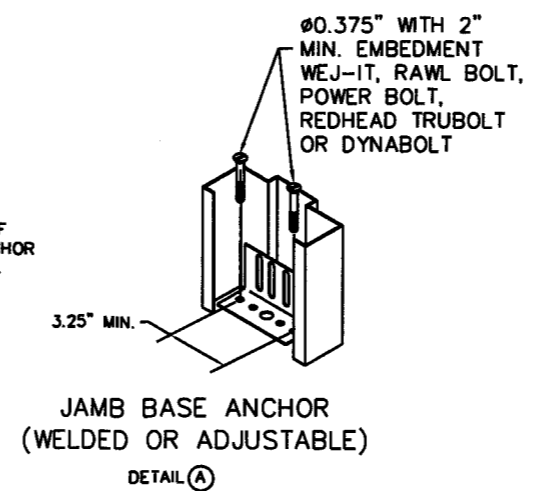
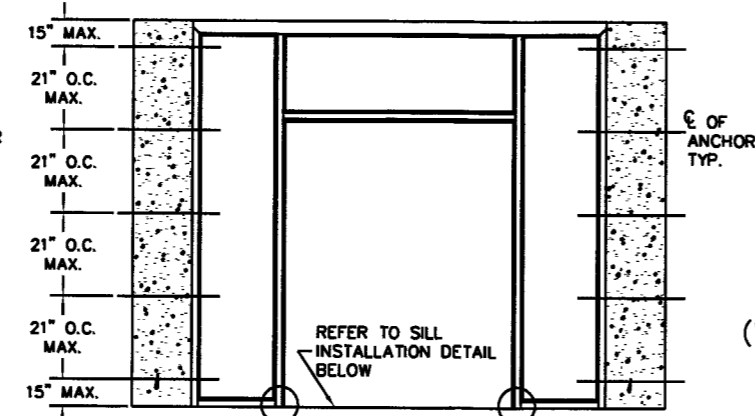
REVISIONS

LTR	DESCRIPTION	DATE	APPROVED
B	APPROVAL DWG	YMF 01/06/05	
C	REVISED DWG	YMF 09/12/08	

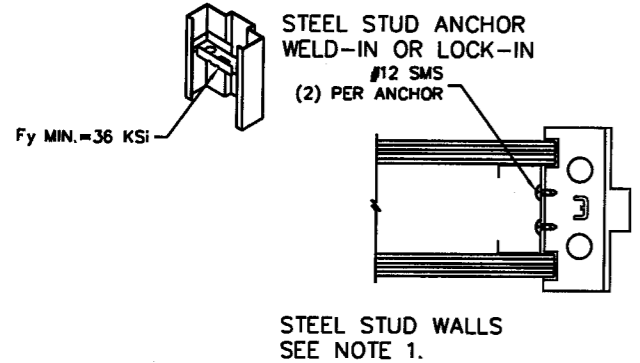
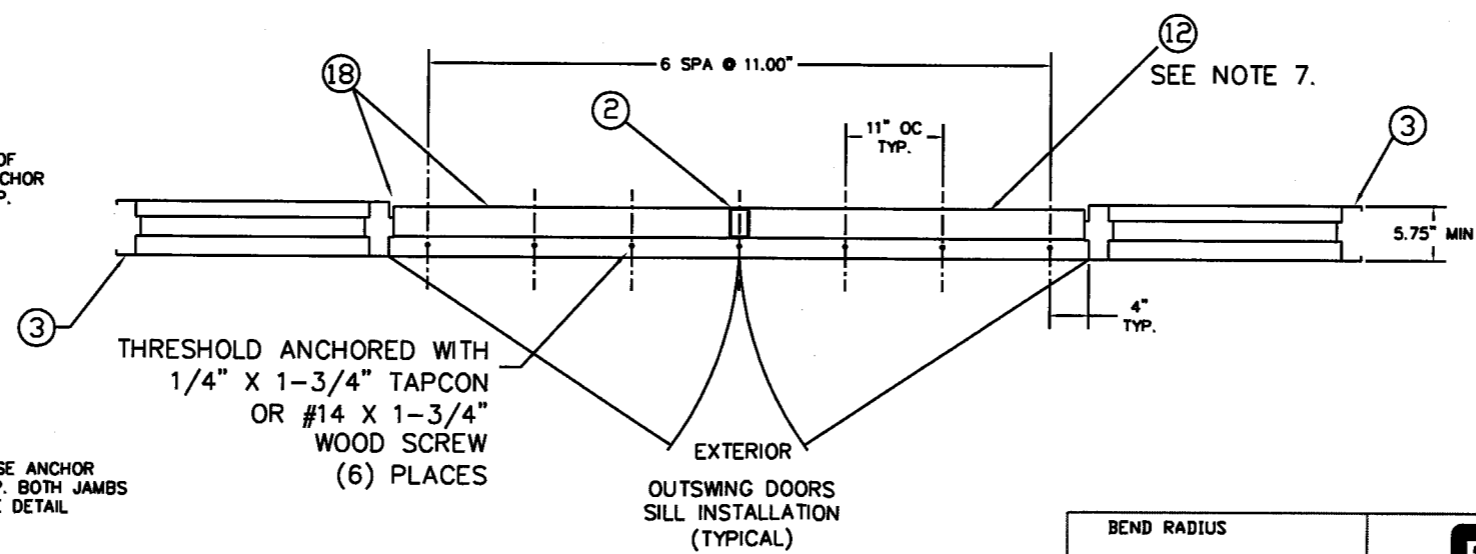
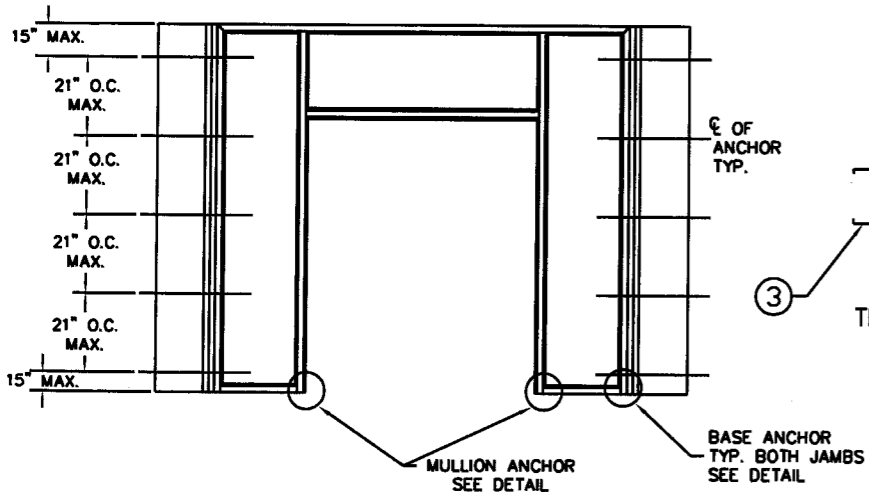
A WIRE MASONRY ANCHOR INTO GROUT FILLED FRAME AND BLOCK WALL



B EXISTING MASONRY ANCHOR (EMA) INTO CONCRETE WALL OR CMU

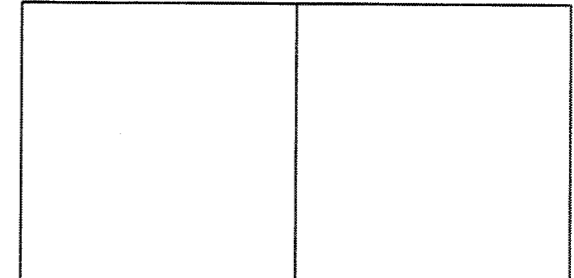


C STEEL STUD ANCHOR



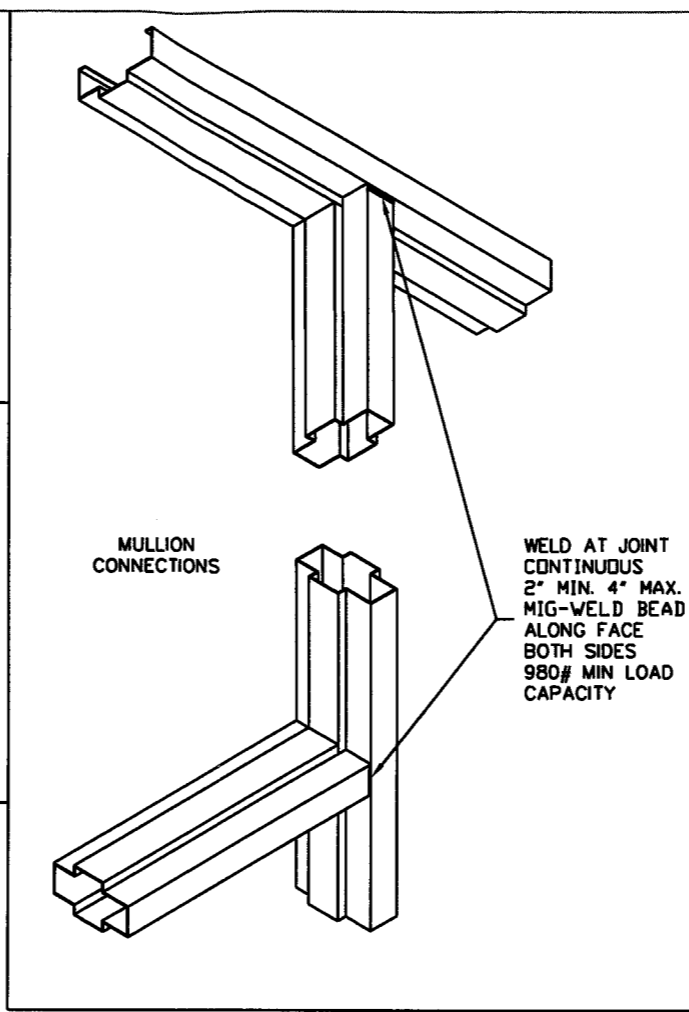
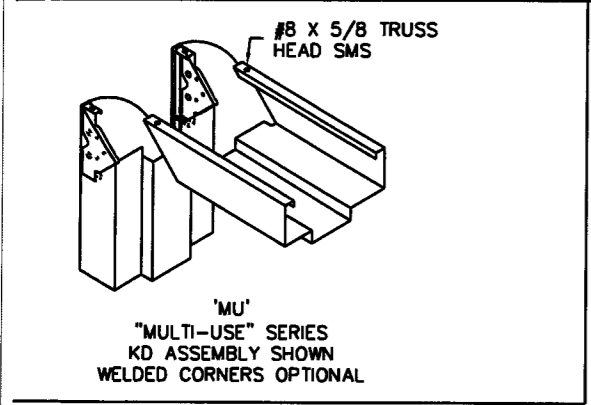
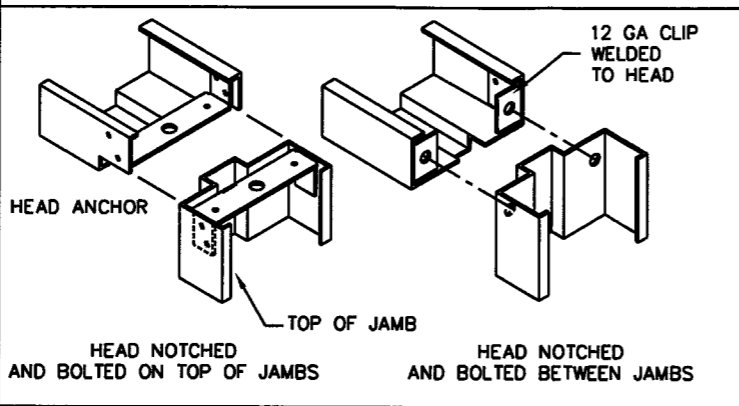
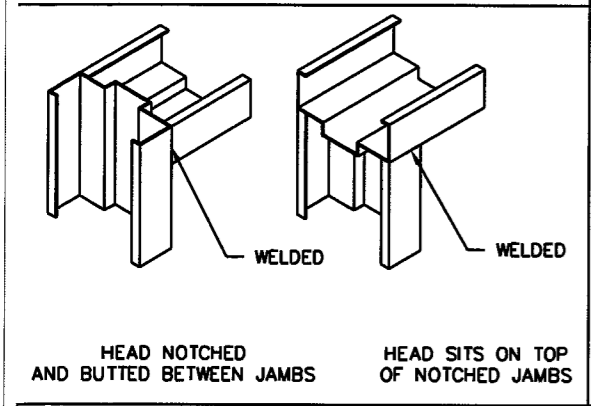
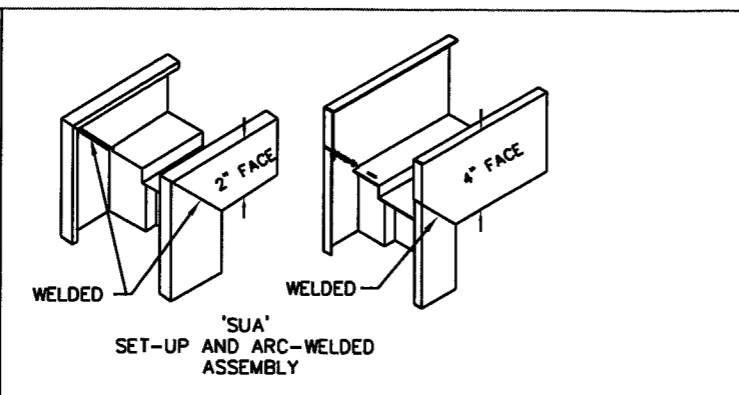
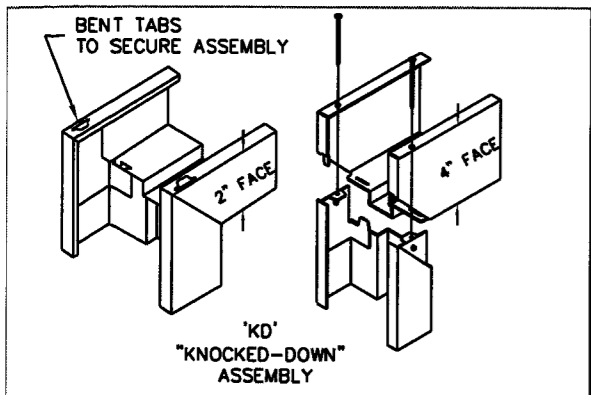
PRODUCT RENEWED
 as complying with the Florida
 Building Code
 Acceptance No. 08-0715-03
 Expiration Date SEP 14, 2013
 By /Sheag L. Chan L
 Miami Dade Product Control
 Division

Handwritten signature and date:
 9/17/08
 FL 46718

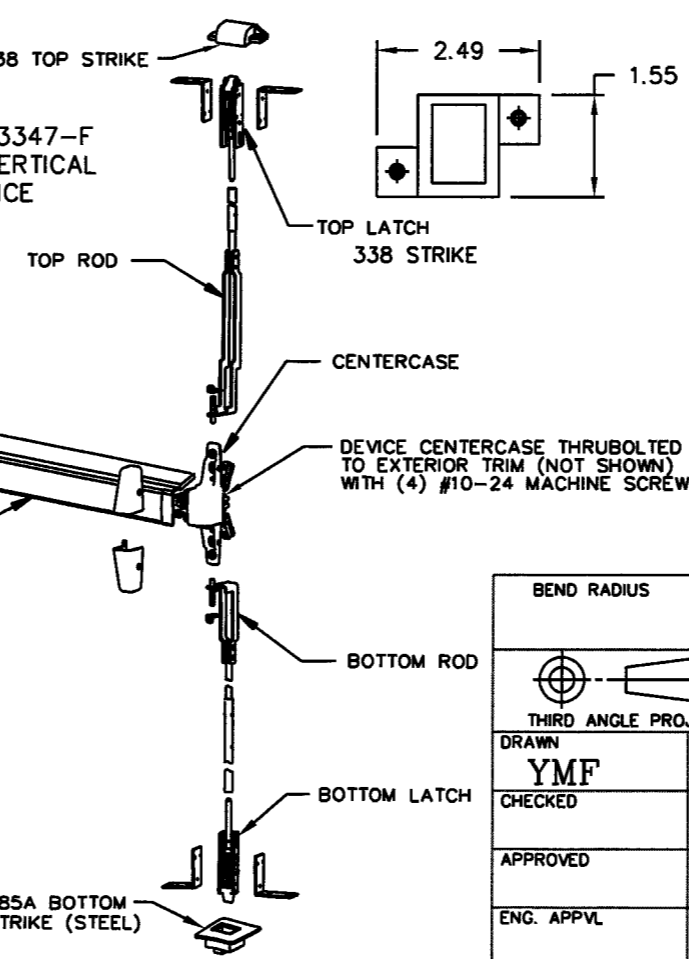
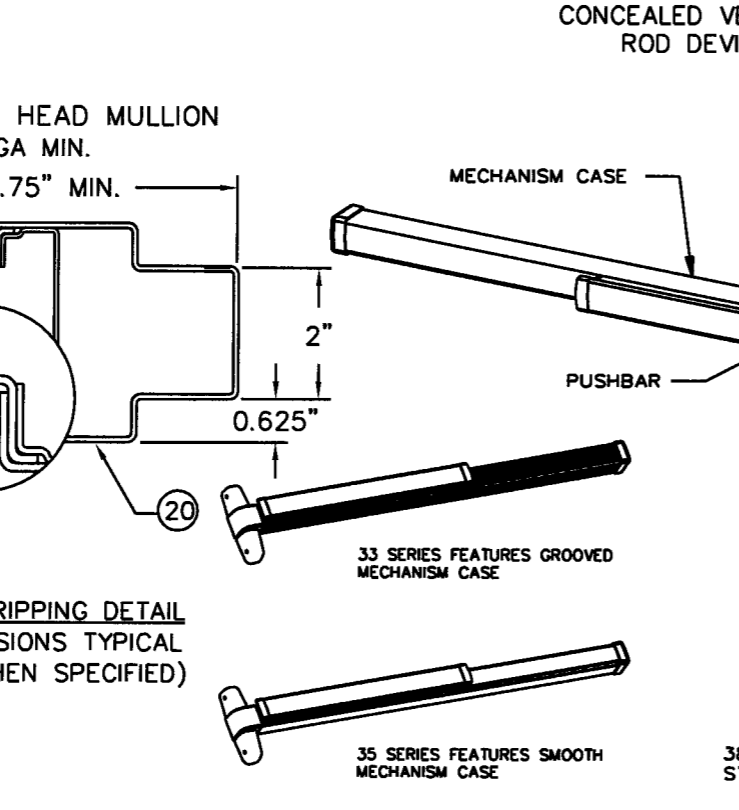
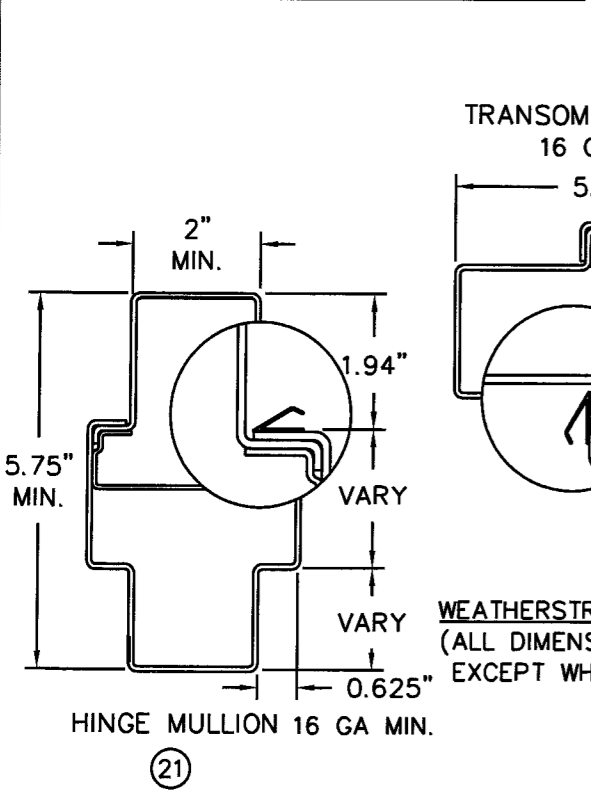
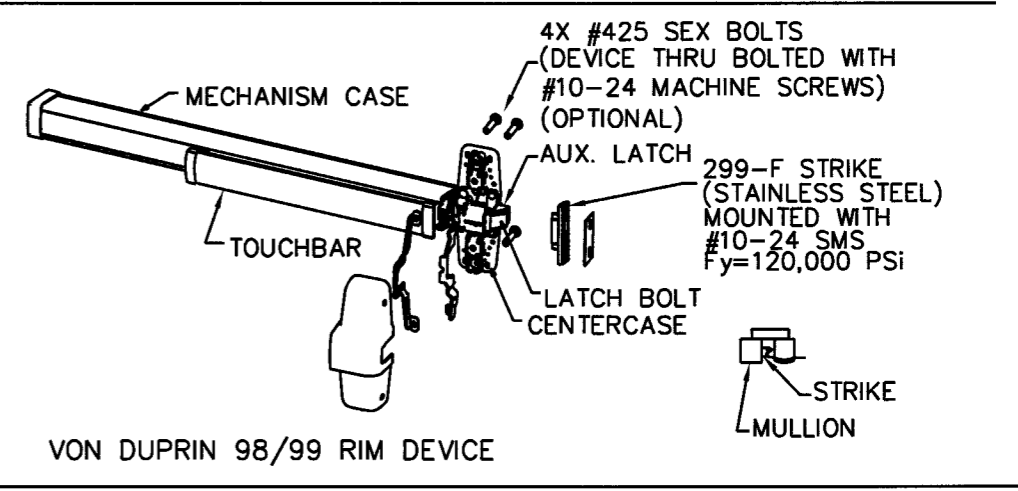
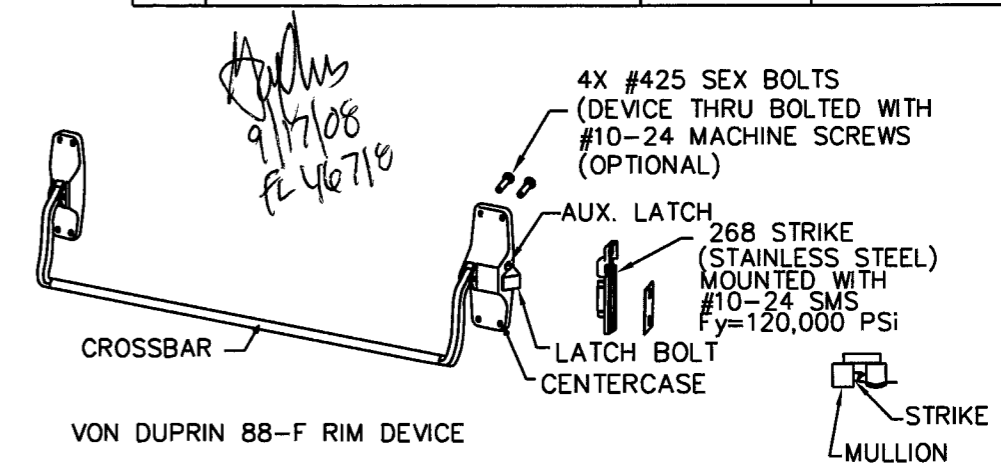


- NOTES:
1. STEEL STRUCTURAL MEMBERS OF STEEL-STUD WALLS MUST BE DESIGNED TO CARRY AT LEAST 320 #/ft. LOAD, AND SHOULD BE VERIFIED BY THE APPROPRIATE OFFICIAL.
 2. NUMBER OF ANCHORS FOR VARIOUS OPENING HEIGHTS IS LIMITED BY MAXIMUM DISTANCE BETWEEN ANCHORS, SHOWN ON THIS SHEET.

BEND RADIUS		INGERSOLL-RAND COMPANY STEELCRAFT MFG. 9017 BlueAsh Rd. Cincinnati Ohio 45242	
THIRD ANGLE PROJECTION			
DRAWN YMF	DATE 02.25.03	TITLE DADE COUNTY ANCHOR DETAILS / MOUNTING CONDITIONS	
CHECKED		SIZE FLAT	DWG NO. 975W
APPROVED		SCALE: NTS	AUTOCAD
ENG. APPVL		SHEET 6 OF 8	REV C



REVISIONS			
LTR	DESCRIPTION	DATE	APPROVED
A	APPROVAL DWG	YMF 02.25.03	
C	REVISED DWG	YMF 08/27/08	



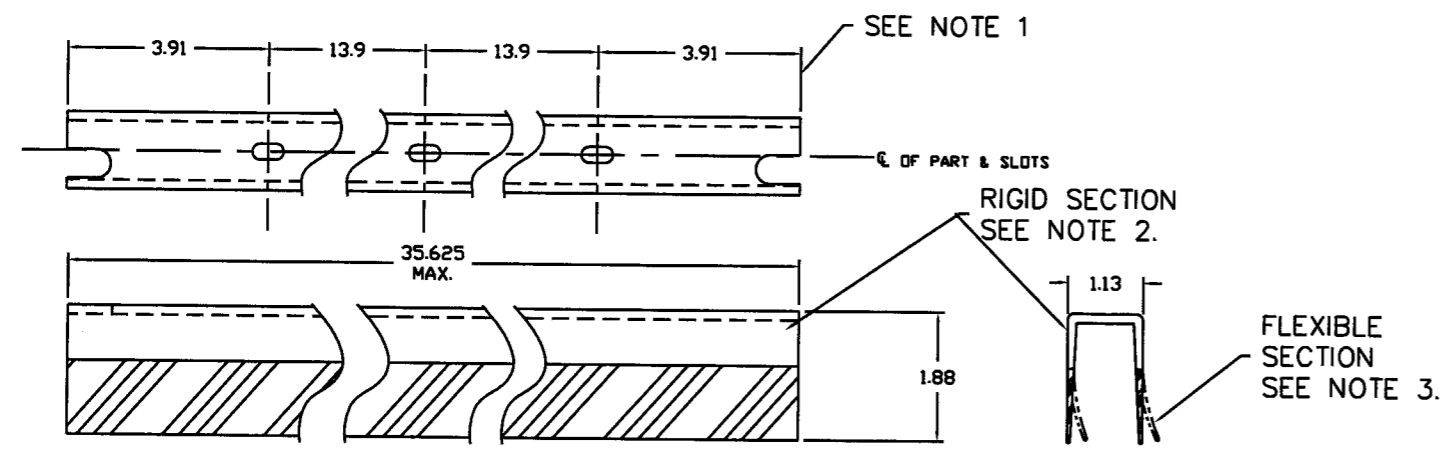
PRODUCT RENEWED as complying with the Florida Building Code Acceptance No. 08-0715-03 Expiration Date SEP 11, 2013 By Ishag I. Ullanda Miami Code Product Control Division

NOTE: ELECTRICAL HARDWARE FUNCTIONS AND INSTALLATION IS NOT PART OF THIS APPROVAL. SUCH INSTALLATION TO BE REVIEWED AND APPROVED BY AHJ.

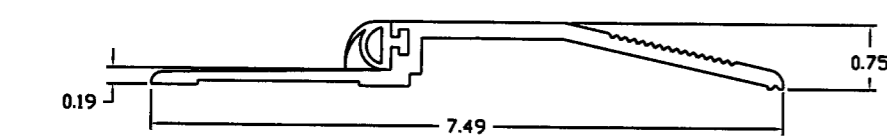
BEND RADIUS				INGERSOLL-RAND COMPANY STEELCRAFT MFG. 9017 BlueAsh Rd. Cincinnati Ohio 45242			
THIRD ANGLE PROJECTION							
DRAWN	DATE	TITLE		SIZE	FLAT	DWG NO.	REV
YMF	02.25.03	DADE COUNTY CORNER DETAILS AND WEATHERSTRIPPING ATTACHMENT FOR FLUSH FRAME AND MU FRAMES		975W			
CHECKED							
APPROVED							
ENG. APPVL							
SCALE: NTS		AUTOCAD		SHEET 7 OF 8		C	

REVISIONS

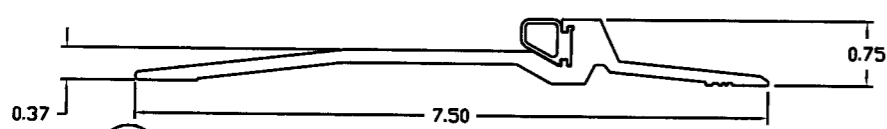
LTR	DESCRIPTION	DATE	APPROVED
B	APPROVAL DWG	YMF 01/06/05	
C	REVISED DWG	YMF 08/27/08	



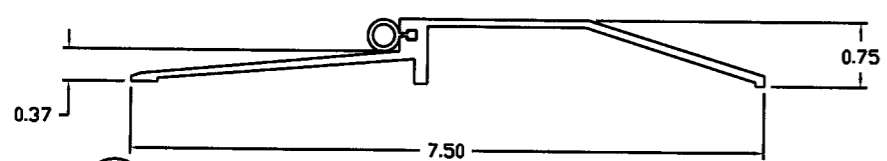
15 FAS-SEAL DOOR SWEEP



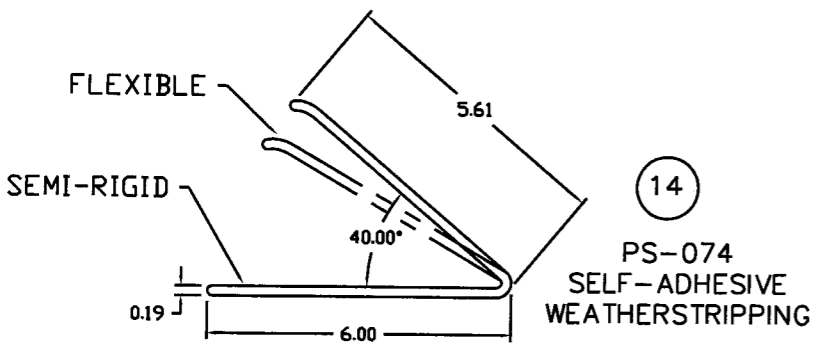
12 ZERO INT'L 566 SERIES THRESHOLD WITH NEOPRENE BUMPER



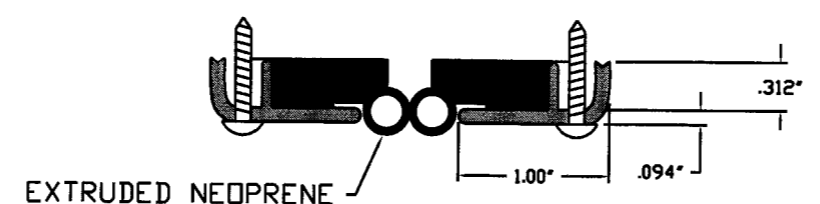
12 PEMKO 2005 SERIES THRESHOLD WITH SILICONE, VINYL OR PILE SEAL



12 NATIONAL GUARD 950 SERIES THRESHOLD WITH SILICONE, VINYL OR NEOPRENE BUMPER



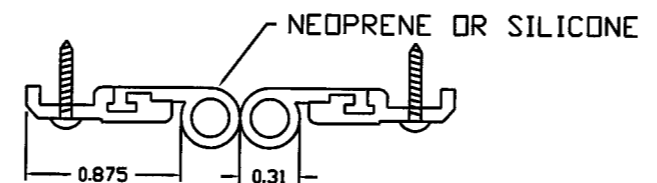
14 PS-074 SELF-ADHESIVE WEATHERSTRIPPING



17 ZERO INT'L 328 SERIES SPLIT ASTRAGAL WITH NEOPRENE SEAL

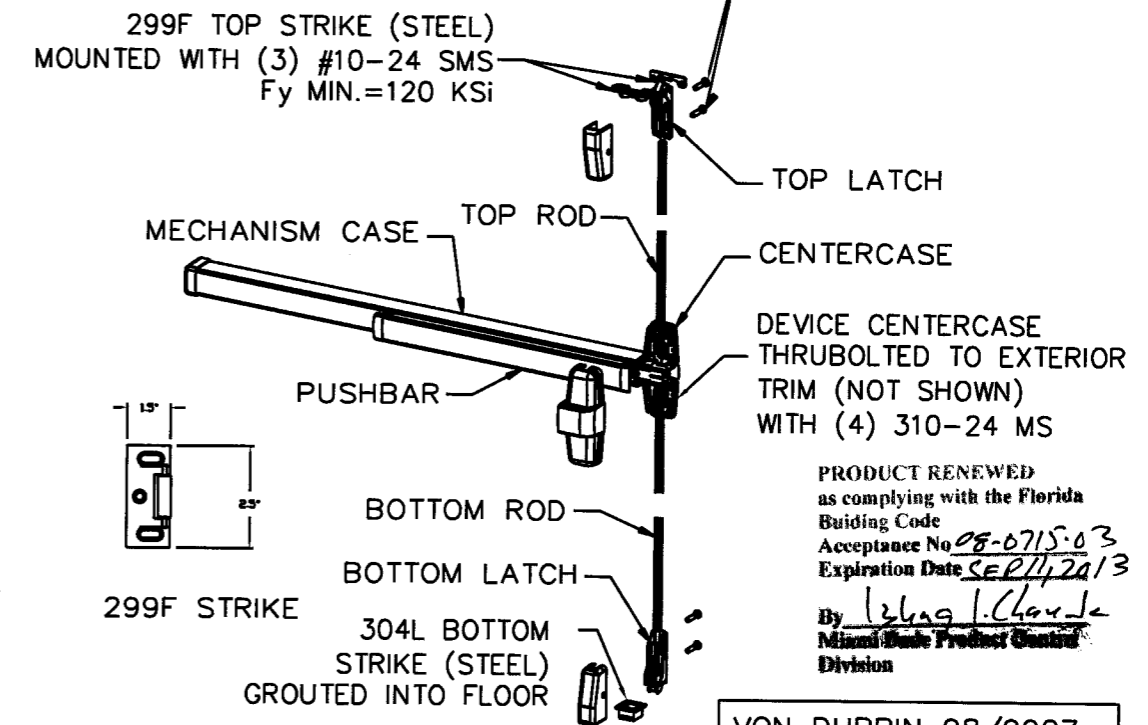


17 PEMKO 303 SERIES SPLIT ASTRAGAL WITH SILICONE, VINYL OR PEMKOPRENE SEAL



17 NATIONAL GUARD 137 SERIES SPLIT ASTRAGAL WITH NEOPRENE OR SILICONE SEAL

(4) X #325 SEXBOLTS (MOUNTED ON OPPOSITE DOOR FACE) FASTEN TOP AND BOTTOM LATCHES TO DOOR (MOUNTED WITH (7) #1/4-20 MS)

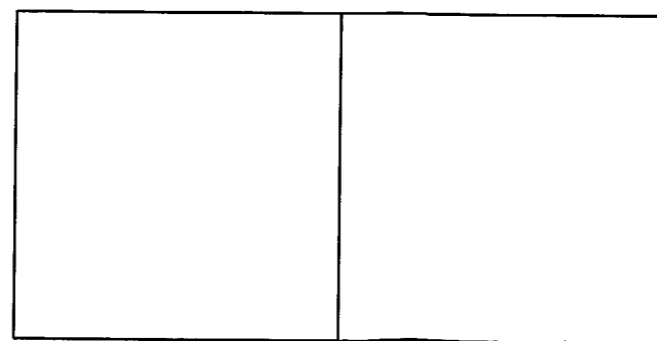


PRODUCT RENEWED as complying with the Florida Building Code Acceptance No. 08-0715-03 Expiration Date SEP 14, 2013 By *[Signature]* Miami Dade Product Control Division

VON DUPRIN 98/9927 SURFACE VERTICAL ROD DEVICE

NOTES:

1. SLOT LOCATIONS MAY VARY WITH DIFFERENT DOOR WIDTH.
2. DOOR SWEEP RIGID SECTION IS MADE OF PRO-FAX #PD-199 POLYPROPYLENE HOMOPOLYMER
3. DOOR SWEEP FLEXIBLE SECTION IS MADE OF SANTOPRENE #101-73 73 DUROMETER - SHORE A SCALE



BEND RADIUS		<p>INGERSOLL-RAND COMPANY STEELCRAFT MFG. 9017 BlueAsh Rd. Cincinnati Ohio 45242</p>	
THIRD ANGLE PROJECTION			
DRAWN YMF	DATE 02.25.03	TITLE DADE COUNTY DOUBLE DOORS ACCESSORIES BOTTOM SWEEP THRESHOLDS, SPLIT ASTRAGALS AND WEATHERSTRIPPING	
CHECKED		SIZE FLAT	DWG. NO. 975W
APPROVED		SHEET 8 OF 8	REV C
ENG. APPVL		SCALE: NTS	AUTOCAD

[Handwritten Signature]
9/17/08
FL 46718