

Ingersoll-Rand
6810 Hillsdale Court
Indianapolis, IN 46250

SCOPE:

This NOA is being issued under the applicable rules and regulations governing the use of construction materials. The documentation submitted has been reviewed and accepted by Miami-Dade County PERA -Product Control Section to be used in Miami Dade County and other areas where allowed by the Authority Having Jurisdiction (AHJ).

This NOA shall not be valid after the expiration date stated below. The Miami-Dade County Product Control Section (In Miami Dade County) and/or the AHJ (in areas other than Miami Dade County) reserve the right to have this product or material tested for quality assurance purposes. If this product or material fails to perform in the accepted manner, the manufacturer will incur the expense of such testing and the AHJ may immediately revoke, modify, or suspend the use of such product or material within their jurisdiction. PERA reserves the right to revoke this acceptance, if it is determined by Miami-Dade County Product Control Section that this product or material fails to meet the requirements of the applicable building code.

This product is approved as described herein, and has been designed to comply with the Florida Building Code, including the High Velocity Hurricane Zone.

DESCRIPTION: IR / SteelCraft Series H16-4" Single Flush Outswing Commercial Steel Doors w / Mortise Lock set

APPROVAL DOCUMENT: Drawing No 776W-2 Rev G, titled "Steelcraft H16-4" 3070 Single (Outswing)", sheets 1 through 8 of 8, prepared by the manufacturer, dated 05-01-02 and last revised on 02/22/12, signed and sealed by Thomas Gordon, P.E., bearing the Miami-Dade County Product Control Revision stamp with the Notice of Acceptance number and expiration date by the Miami-Dade County Product Control Section.

MISSILE IMPACT RATING: Large Missile Impact Resistant

Limitation:

1. See Design pressure (w/ lock strike options) & Water infiltration limitation sheet 1 of the drawings.
2. Non-grouted 2" face header will require head anchors per sheets 3 & 5. Grouted 4" header with in 88" max O.A. height will not require header anchors.
3. Continuous Aluminum Hinges to be min A16063-T6 and min thickness=0.11"

LABELING: Each unit shall bear a permanent label with the manufacturer's name or logo, Cincinnati, Ohio and Series and following statement: "Miami-Dade County Product Control Approved", unless otherwise noted herein.

RENEWAL of this NOA shall be considered after a renewal application has been filed and there has been no change in the applicable building code negatively affecting the performance of this product.

TERMINATION of this NOA will occur after the expiration date or if there has been a revision or change in the materials, use, and/or manufacture of the product or process. Misuse of this NOA as an endorsement of any product, for sales, advertising or any other purposes shall automatically terminate this NOA. Failure to comply with any section of this NOA shall be cause for termination and removal of NOA.

ADVERTISEMENT: The NOA number preceded by the words Miami-Dade County, Florida, and followed by the expiration date may be displayed in advertising literature. If any portion of the NOA is displayed, then it shall be done in its entirety.

INSPECTION: A copy of this entire NOA shall be provided to the user by the manufacturer or its distributors and shall be available for inspection at the job site at the request of the Building Official.

This NOA revises & renews NOA # 10-1206.01 and consists of this page 1 and evidence pages E-1 & E-2, as well as approval document mentioned above.

The submitted documentation was reviewed by **Ishaq I. Chanda, P.E.**

NOTICE OF ACCEPTANCE: EVIDENCE SUBMITTED

A. DRAWINGS

1. Manufacturer's parts and sections drawings (transferred from file # **10-1206.01**)
2. Drawing No **776W-2 Rev G**, titled "Steelcraft H16-4" 3070 Single (Outswing)", sheets 1 through 8 of 8, prepared by the manufacturer, dated 05-01-02 and last revised on 02/22/12, signed and sealed by Thomas Gordon, P.E.

B. TESTS (transferred from file # 09-0924.04/10-1206.01)

1. Test report on
 - 1) Air Infiltration Test, per TAS 202-94
 - 2) Water Resistance Test per FBC TAS 202-94(Not conducted)
 - 3) Uniform Static Air Pressure Test, Loading per TAS 202-94
 - 3) Large Missile Impact Test per FBC, TAS 201-94
 - 4) Cyclic Wind Pressure Loading per FBC, TAS 203-94
 - 5) Forced Entry Test, per PA 202-94

along with manufacturer's parts and section drawings of Single flush outswing / Inswing steel doors, marked by Certified Testing Lab, Test Reports No(s). **CTLA-776W -2 & CTLA-776W -3** both dated June 07, 2002, both signed and sealed by Ramesh Patel, P.E.

Note: Test report No. **CTLA-776W -2** has been issued an addendum letter dated 12/03/09, issued by Certified Testing Lab, signed and sealed by Ramesh Patel, P.E.

3. Reference test reports CTLA 776W-1 and CTLA 1035W-2 for anchor qualifications.

C. CALCULATIONS:

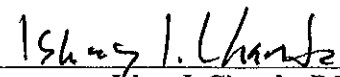
1. Anchor verification calculation dated 09-05-11 and last revised on 01/25/12, prepared, signed & sealed by Thomas Gordon
2. Hinge Load Evaluation report, dated 01/04/04, prepared, signed & sealed by Thomas Gordon., P.E. (transferred from file # **10-1206.01**)

D. QUALITY ASSURANCE BY

1. Miami Dade Department of Permitting, Environment, and Regulatory Affairs (PERA).

E. MATERIAL CERTIFICATIONS (transferred from file # 10-1206.01)

1. Tensile test report # CTLA-776W (0194H), dated 02/25/02 prepared by CTL Architectural Division, sheet samples, tested per ASTM E8, signed & sealed by Ramesh Patel, P.E.
2. Test Report No. **3094867SAT-001**, April 13, 2006, issued by Intertek for "Surface Burning Characteristics of Building material" per ASTM E84 and self Ignition per ASTM1929D for "EPS", issued to Falcon Foam, a Div of Atlas Roofing, re-named as "ATLAS EPS".



Ishaq I. Chanda, P.E.
Product Control Examiner
NOA No 11-0921.11

Expiration Date: February 24, 2017
Approval Date: March 01, 2012

NOTICE OF ACCEPTANCE: EVIDENCE SUBMITTED

E. MATERIAL CERTIFICATIONS (Continue):

3. Tensile Test report No. A103W1-Test 1, 2 & 3 dated 23 APR 03 per ASTM E-8 for steel face sheet, prepared by Certified Testing laboratory, signed and sealed by Ramesh Patel, P.E.
4. Test Report No. **16206-122543 (1015P200(3))**, dated November 29, 2004 for "Surface Burning Characteristics of Building material" per ASTM E84 and self Ignition per ASTM 1929D for "Polyisocyanurate" issued by Omega Point Laboratories, Inc. to Elliot Company, Indianapolis, IN.

F. STATEMENTS

1. Letter of conformance to FBC 2007 & 2010 "No financial interest" dated 09/30/11, signed and sealed by Gordon Thomas, P.E.
2. Laboratory Statement of compliance, part of the above referenced test reports.
3. Addendum letter dated Jan 20, 2011, issued by Certified Testing Lab confirming testing of Alum continuous hinges w/ marked-up drawings, signed and sealed by Ramesh Patel, P.E.
4. Addendum letter dated DEC 19, 2011, issued by Certified Testing Lab verifying wire anchors, strength of grout, stud anchor, Strike plate and MA series Mortise Lock, supplemented w/ marked-up drawings, signed and sealed by Ramesh Patel, P.E.

G. OTHER

1. This NOA **revises & renews** NOA # **10-1206.01**, expiring on 02/24/12.
2. Verification Test proposal dated 12/03/09 for continuous hinges & SS strike plate, approved by BCCO.
3. Additional marked-up drawings provided as part of addendum letters by Certified Testing lab.
4. Photo of Stainless Steel Strike plate supplied by Ingersoll-Rand.
5. Schlage & Falcon Mortise Locks brochures / catalogs supplied by Ingersoll-Rand.
6. Technical brochures of butt Hinges & continuous Hinges supplied by Ingersoll-Rand.



Ishaq I. Chanda, P.E.
Product Control Examiner
NOA No 11-0921.11
Expiration Date: February 24, 2017
Approval Date: March 01, 2012

DESIGN PRESSURE RATING (OUTSWING DOOR)			IMPACT RATING
LOCK/STRIKE PLATE OPTION	WHERE WATER INFILTRATION REQUIREMENT IS NEEDED	WHERE WATER INFILTRATION REQUIREMENT IS NOT NEEDED*	
STANDARD	NOT APPROVED	+120 PSF / -120 PSF	LARGE AND SMALL MISSILE IMPACT
STAINLESS STEEL SS 304 OR 306 FY MIN= 31.2 KSI	NOT APPROVED	+170 PSF / -170 PSF	

REVISIONS			
LTR	DESCRIPTION	DATE	APPROVED
A	APPROVAL DWG	02/25/03	
C	REVISED PER DC BCCO	07/02/04	
D	REVISED PER DC BCCO	08/31/04	
E	REVISED PER DCBCCO	01/14/10	
F	REVISED PER DC BCCO	01/07/11	
G	REVISED PER DCBCCO	01/17/12	

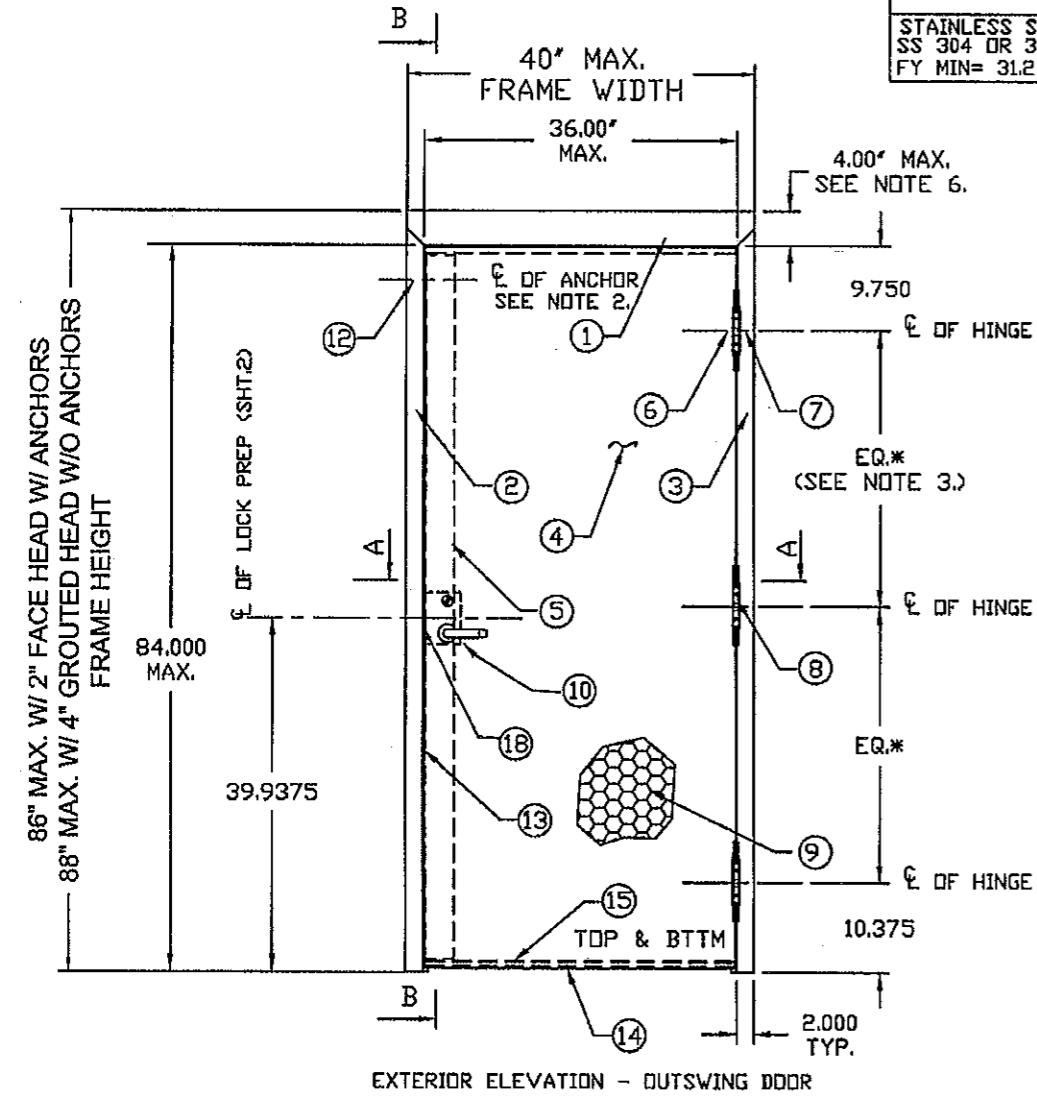
*Water infiltration resistance is not required when Door assemblies installed in non-habitable areas where the door assembly and area are designed to accept water infiltration, or if protected by overhang with ratio Length/Height equal or greater than 1.

GENERAL NOTES:
 1. THIS DOOR SYSTEM HAS BEEN TESTED AND DESIGN TO MEET THE FLORIDA BUILDING CODE (FBC) REQUIREMENTS, INCLUDING HIGH VELOCITY HURRICANE ZONE (HVHZ).
 2. THE DOORS ARE LARGE MISSILE IMPACTED
 3. DISSIMILAR MATERIAL IN CONTACT SHALL MEET FBC REQUIREMENTS.

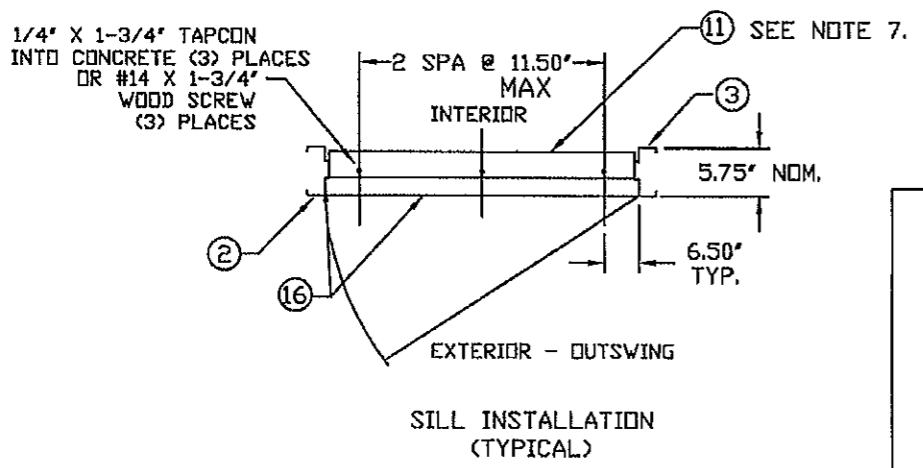
NOTES:
 1. ONE ROW OF PS074 WEATHERSTRIPPING PER JAMB AND HEAD. INSTALL PER SHT 7
 2. ANCHOR REQUIREMENTS: SEE SHT 1 AND 5 FOR APPROVED ANCHOR AND INSTALLATION REQUIREMENTS.
 3. HINGE REQUIREMENTS: MIN (3) HINGES
 LOCATIONS: 9.75" FROM RABBET IN HEAD TO CL OF TOP HINGE
 10.38" FROM FLOOR TO CL OF BOTTOM HINGE, EQUALLY SPACED IN BETWEEN.
 4. SEE SHEET 6 FOR AVAILABLE STANDARD DOOR / FRAME CONFIGURATIONS.
 5. HARDWARE INSTALLATION AS PER MANUFACTURER'S INSTRUCTIONS.
 6. 4" FACE HEAD IS AVAILABLE WHEN FRAME IS GROUTED WITH CONCRETE, TO MAX FRAME HEIGHT SHOWN.
 7. APPLY CAULK AS NEEDED.
 8. PRODUCT IS NOT APPROVED WHERE WATER INFILTRATION REQUIREMENT IS NEEDED.

ITEM	QUANTITY	DESCRIPTION	MATERIAL	SIZE
1	1	HEAD SEE SHT 3 & 7. ASTM A366	.053" MIN. STL	MAX. 40"
2	1	STRIKE JAMB. SEE SHT 7. ASTM A366	.053" MIN. STL	MAX. 86"-88"
3	1	HINGE JAMB SEE SHT 7. ASTM A366	.053" MIN. STL	MAX. 86"-88"
4	1	DOOR SLAB	SEE SHT 6	3'0"(36") X 7'0"(84") MAX.
5	1	LOCK SIDE REINFORCEMENT CHANNEL	.099" MIN. STL	3.5" X 81.44" MAX.
6	NOTE 3.	HINGE REINFORCEMENT DOOR ASTM A621	.167" MIN. STL	1.23" X 9.19"
7	NOTE 3.	HINGE REINFORCEMENT FRAME ASTM A621	.167" MIN. STL	1.28" X 9.19"
8	NOTE 3.	4.5" X 4.5" BUTT HINGES (SEE SHT.3) OPTIONAL CONTINUOUS HINGE (SEE SHT.3)	.134 MIN. .067" MIN. STL / .11 ALUM.	(4) #12-24 MS PER HINGE MAX. 84"
9	1	CORE MATERIAL: D) HONEYCOMB C) STEEL STIFFENED A&F) POLYSTYRENE B&F) POLYURETHANE E) MINERAL BOARD TEMPERATURE RISE CORE	SEE SHEET 4	35.66" X 81.5" MAX.
10	1	LOCKING HARDWARE - LOCKSET 1) SCHLAGE L/LV9400 SERIES MORTISE LOCK W/DEADBOLT 2) FALCON MA-SERIES MORTISE LOCK W/ DEADBOLT	SEE SHEET 2	
11	1	THRESHOLD SILL W/BUMPER GASKET, SHT.8 1) NAT'L GUARD 950A 3) ZERO 566A 2) PEMKO 2005AS	.100" ALUM. 6063 T5	5.5" X 0.5" X 36" MAX
12	NOTE 2.	JAMB ANCHOR (LOCK-IN OR WELD-IN) MIN 18 GA	SEE SHT. 5	
13	3	PS074 WEATHER STRIPPING, SHEET 8	TPE	MAX. 21'
14	1	FAS-SEAL DOOR SWEEP, SHEET 8	TPE	MAX. 35.66"
15	2	END CHANNEL ASTM A924 (14 GAGE)	.070" MIN. STL	.69" X 1.66" X 35.66" MAX.
16	AS NEEDED	BUTYL RUBBER OR 100% SILICONE		
17	1	TOP CAP GALV. A60 ASTM A924 (24 GAGE)	.020" MIN. STL	0.5" X 1.76" X 36" MAX
18	1	STRIKE REINFORCEMENT FRAME ASTM A1008	.053" MIN. STL	1.31" X 8.38"

PRODUCT REVISED
 as complying with the Florida Building Code
 Adoption No. 11-0921-11
 Expiration Date 2/24/2017
 By: Ishag I. Chande
 Manual Draft Product Control



EXTERIOR ELEVATION - OUTSWING DOOR



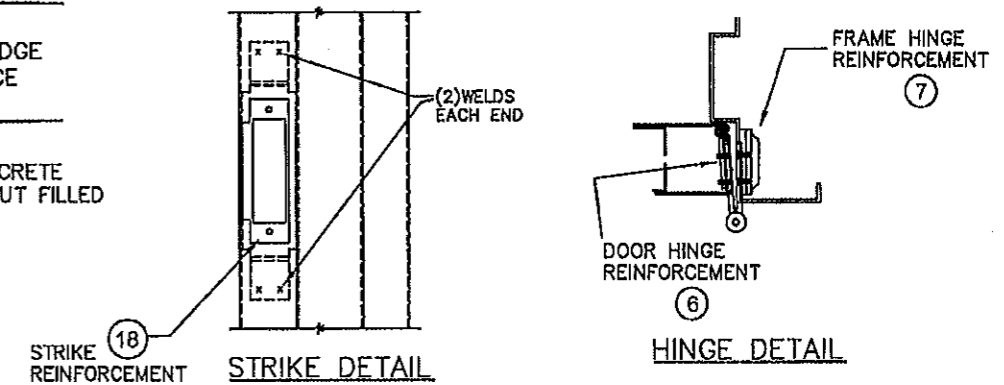
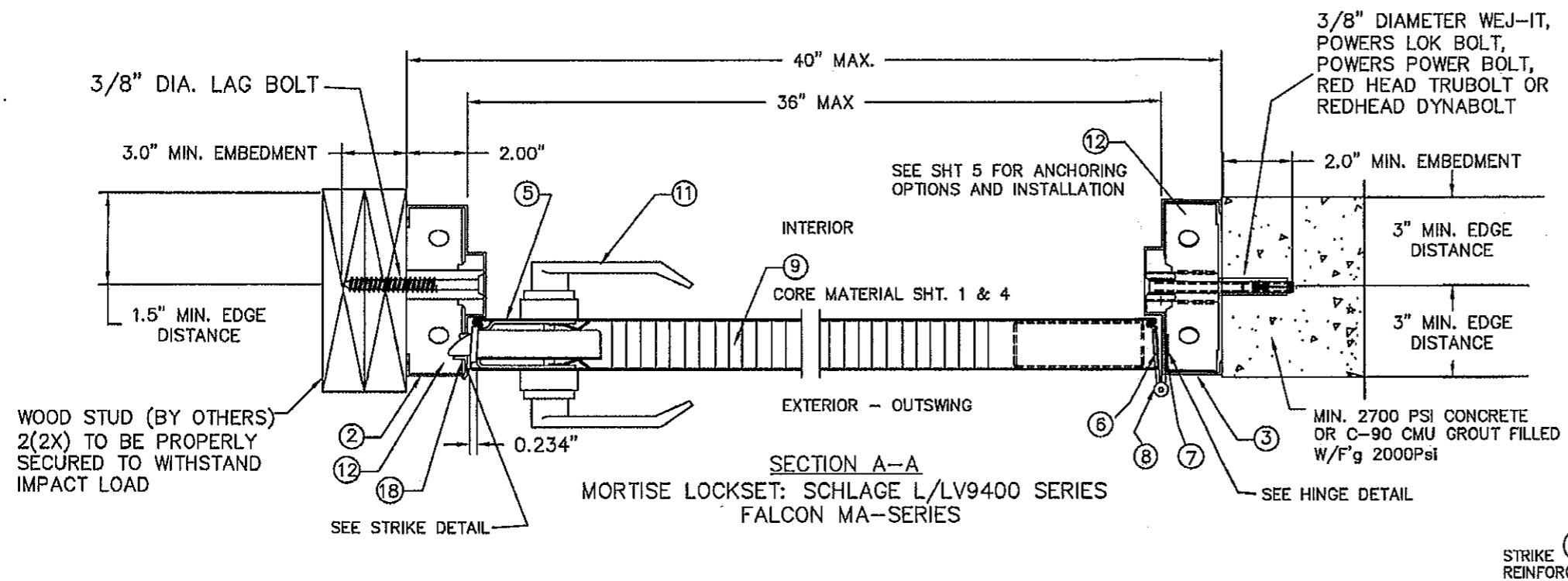
SILL INSTALLATION (TYPICAL)

(Signature)
 Gordon Thomas Date 2/22/12
 3759 Blossom Court
 Mason, OH 45040
 Florida #46718

BEND RADIUS						STEELCRAFT 9017 BLUE ASH ROAD CINCINNATI, OH 45242	
THIRD ANGLE PROJECTION		TITLE IR/STEELCRAFT H SERIES SINGLE FLUSH OUTSWING COMMERCIAL STEEL DOOR W/ MORTISE LOCKS		STEELCRAFT H16 - 4 3070 SINGLE (OUTSWING) WITH MORTISE LOCK HIGH PRESSURE APPLICATIONS			
DRAWN	YMF	DATE	5/01/02	SIZE	FLAT	DWG NO.	776W-2
CHECKED		APPROVED		SCALE	NTS	AUTOCAD	SHEET 1 OF 8
ENG. APPVL							REV G

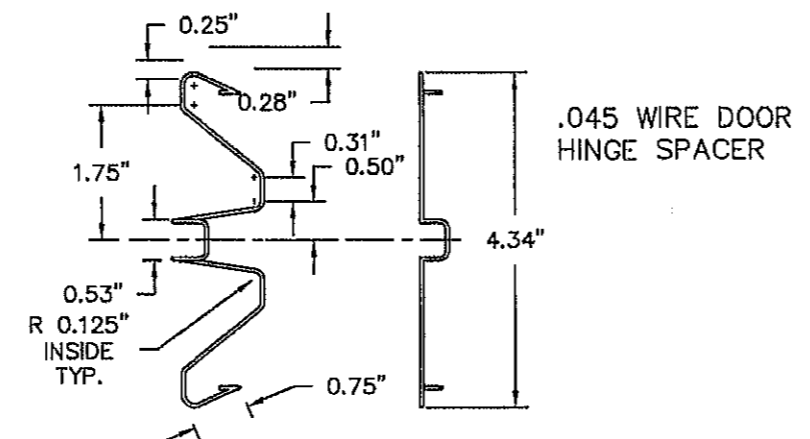
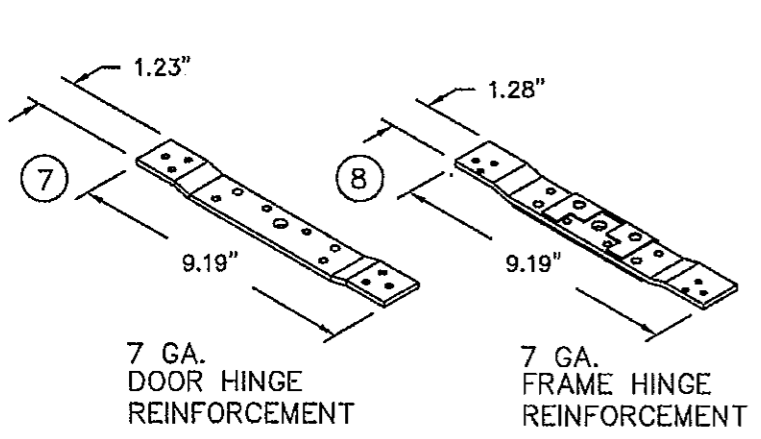
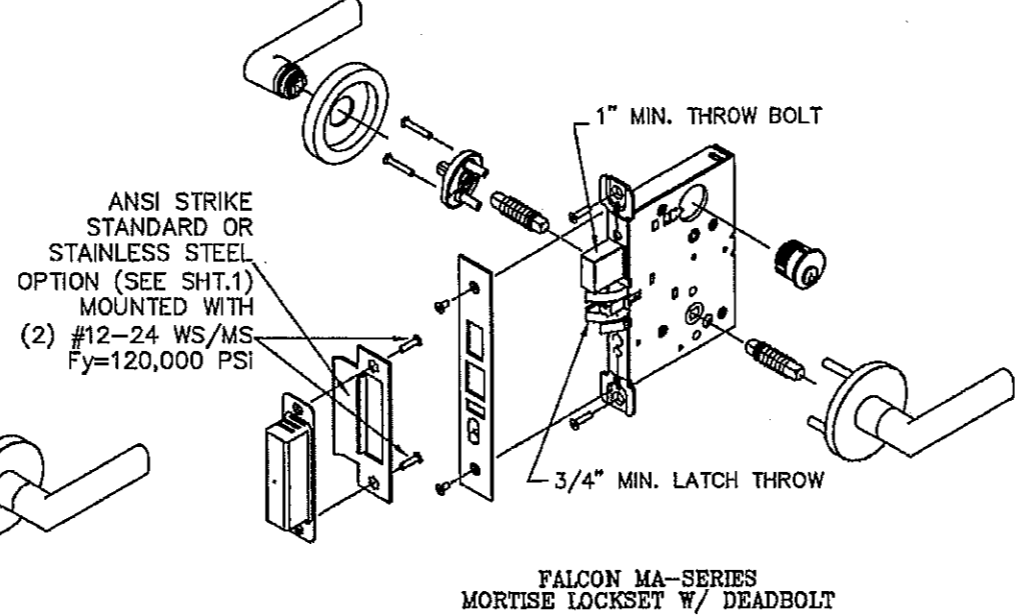
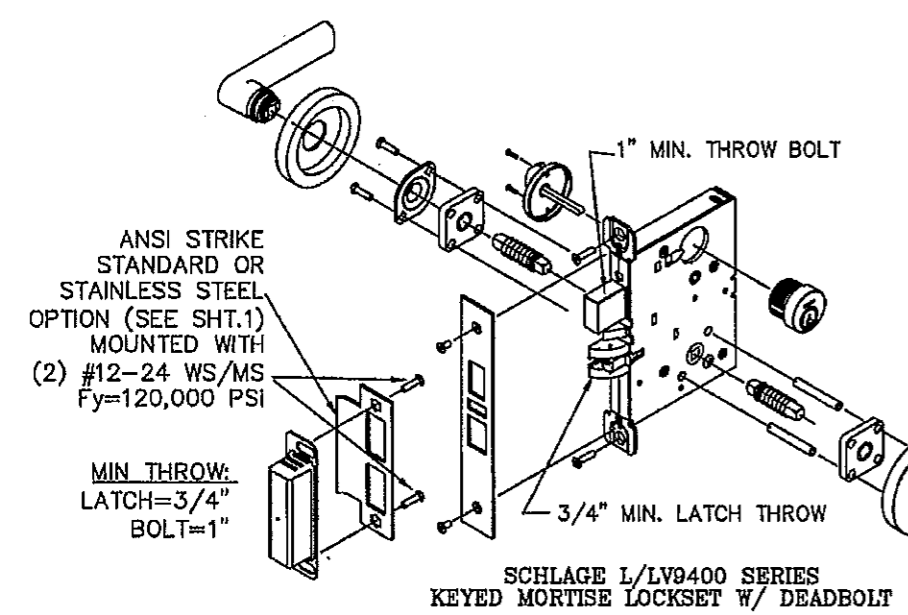
REVISIONS

LTR	DESCRIPTION	DATE	APPROVED
A	APPROVAL DWGS.	02/25/03	
C	REVISED PER DC BCCO	07/02/04	
D	REVISED PER DC BCCO	08/31/04	
E	REVISED PER DC BCCO	01/14/10	
F	REVISED PER DC BCCO	01/07/11	
G	REVISED PER DC BCCO	01/17/12	



NOTES:

1. SEE SHT.1 FOR ELEVATION, MATERIAL AND SIZE
2. SEE SHT. 5 FOR WALL CONSTRUCTION, ANCHORING SYSTEM OPTIONS AND INSTALLATION.
3. SEE SHT. 6 FOR AVAILABLE OPENING SIZES, JAMB DEPTHS AND SPECIFICATIONS
4. APPROVED HARDWARE INSTALLATION IS PER MANUFACTURER'S INSTRUCTIONS

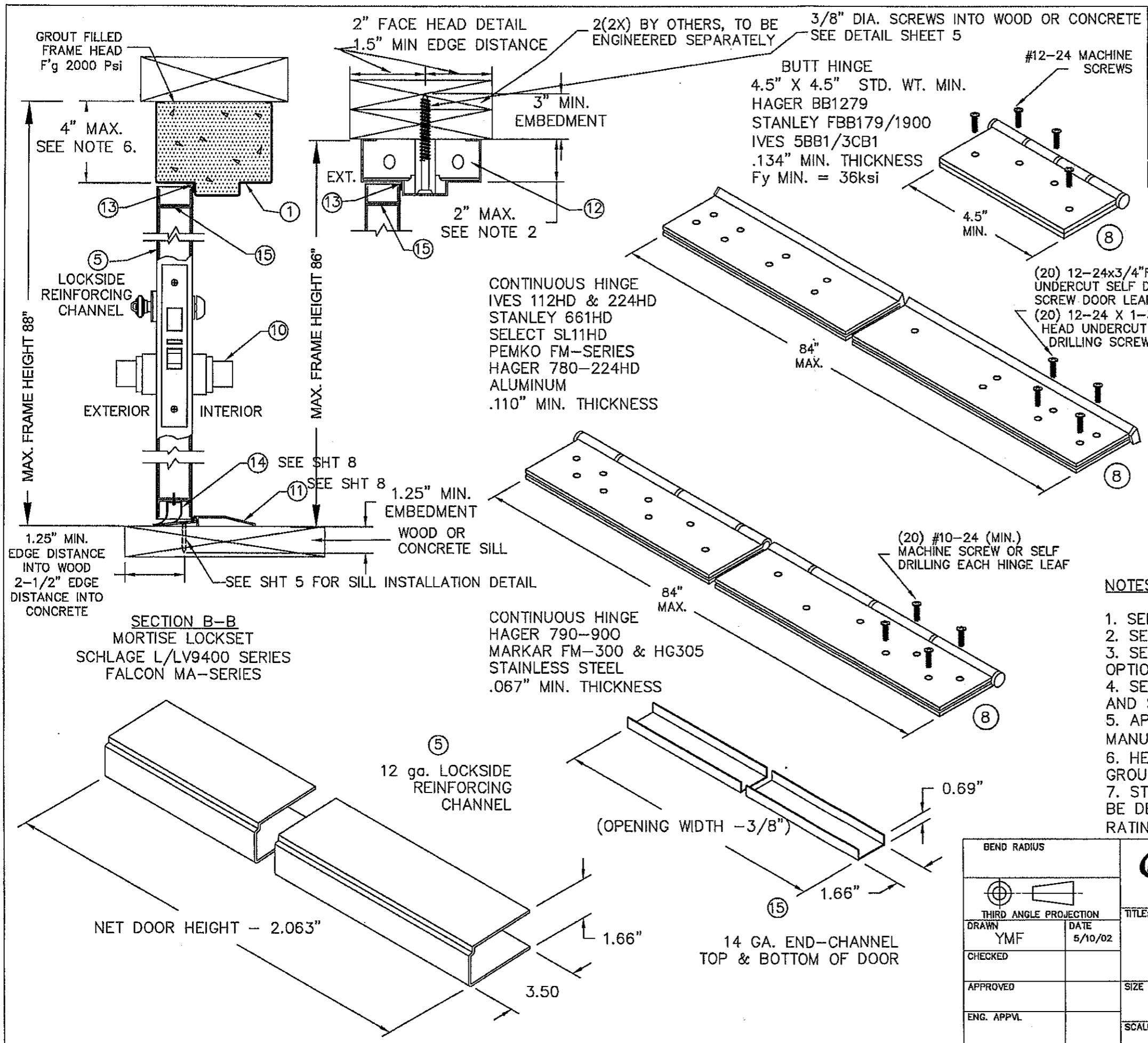


PRODUCT REVISED
 as complying with the Florida
 Building Code
 Adoption No. 11-0921-11
 Expiration Date 2/24/17
 1 Change
 Final Date/Product Control

ATL
 2/22/12

Gordon Thomas Date
 3759 Blossom Court
 Mason, OH 45040
 Florida # 46718

BEND RADIUS				Ingersoll Rand Security Technologies		STEELCRAFT 9017 BLUE ASH ROAD CINCINNATI, OH 45242	
THIRD ANGLE PROJECTION		TITLE: IR/STEELCRAFT H SERIES SINGLE FLUSH OUTSWING COMMERCIAL STEEL DOOR W/ MORTISE LOCKS		CROSS SECTION OF DOOR AND FRAME COMMERCIAL LOCK HARDWARE STEELCRAFT H-SERIES SINGLE DOORS HIGH PRESSURE APPLICATIONS			
DRAWN	DATE	SIZE	FLAT	DWG NO.	REV		
YMF	5/01/02			776W-2	G		
CHECKED		SCALE:	NTS	AUTOCAD	SHEET	2 OF 8	
APPROVED							
ENG. APPVL							

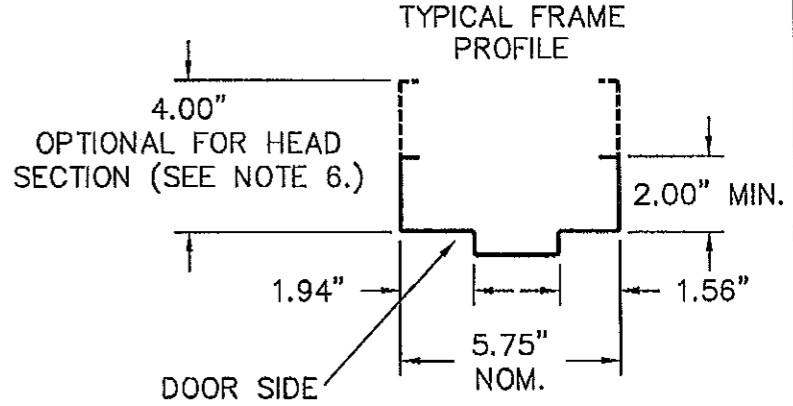


REVISIONS			
LTR	DESCRIPTION	DATE	APPROVED
A	APPROVAL DWGS.	02/26/03	
D	REVISED PER DCBCCO	08/31/04	
E	REVISED PER DCBCCO	01/14/10	
F	REVISED PER DCBCCO	01/07/11	
G	REVISED PER DCBCCO	01/17/12	

PRODUCT REVISED
to comply with the Florida Building Code
Amendment No. 11-0921.11
Expiration Date 2/24/17
By *Isaac J. Leland*
Inland Built Product Control

Appl
2/22/12

Gordon Thomas Date
3759 Blossom Court
Mason, OH 45040
Florida # 46718

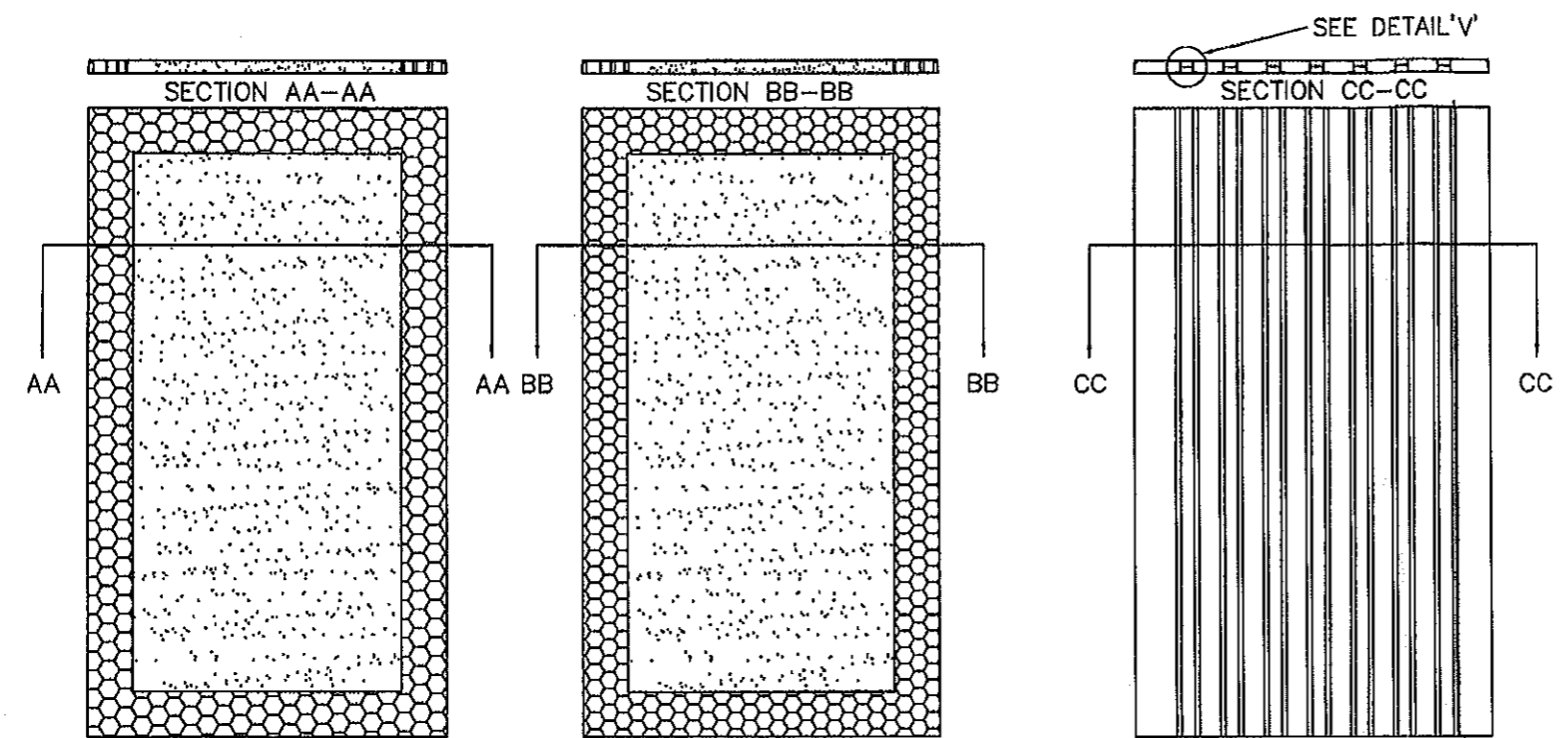


- NOTES:**
1. SEE SHT.1 FOR ELEVATION, MATERIAL AND SIZE
 2. SEE SHT.1 NOTE 2. FOR ANCHOR REQUIREMENTS
 3. SEE SHT. 5 FOR WALL CONSTRUCTION ANCHORING SYSTEM OPTIONS AND INSTALLATION
 4. SEE SHT. 6 FOR AVAILABLE OPENING SIZES, JAMB DEPTHS AND SPECIFICATIONS
 5. APPROVED HARDWARE SHOWN, INSTALLATION IS PER MANUFACTURER'S INSTRUCTIONS
 6. HEAD SECTION CAN HAVE 4" FACE DIMENSION WHEN IT'S GROUTED WITH CONCRETE AND WITHIN MAX UNIT HEIGHT
 7. STUD WALL CONSTRUCTION STRUCTURAL MEMBERS MUST BE DESIGNED TO COMPLY WITH APPROVED DESIGN PRESSURE RATING WITH 283#/FT BASIS

BEND RADIUS				IR Ingersoll Rand Security Technologies STEELCRAFT 9017 BLUE ASH ROAD CINCINNATI, OH 45242	
THIRD ANGLE PROJECTION					
DRAWN YMF	DATE 5/10/02	TITLE: IR/STEELCRAFT H SERIES SINGLE FLUSH OUTSWING COMMERCIAL STEEL DOOR W/ MORTISE LOCKS CROSS SECTION OF DOOR AND FRAME COMMERCIAL LOCK HARDWARE STEELCRAFT H-SERIES SINGLE DOORS HIGH PRESSURE APPLICATIONS			
CHECKED		SIZE	FLAT	DWG NO. 776W-2	REV G
APPROVED		SCALE: NTS AUTOCAD		SHT 3 OF 8	
ENG. APPVL.					

REVISIONS

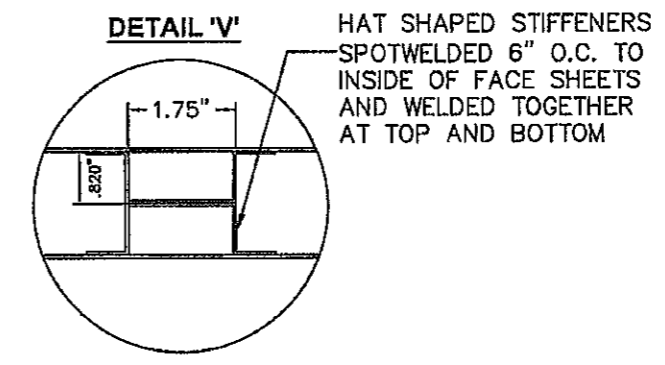
LTR	DESCRIPTION	DATE	APPROVED
A	APPROVAL DWGS	02/26/03	
C	REVISED PER DC BCCO	07/02/04	
D	REVISED PER DC BCCO	01/14/10	
E	REVISED PER DC BCCO	01/14/10	
F	REVISED PER DC BCCO	01/07/11	
G	REVISED PER DC BCCO	01/17/12	



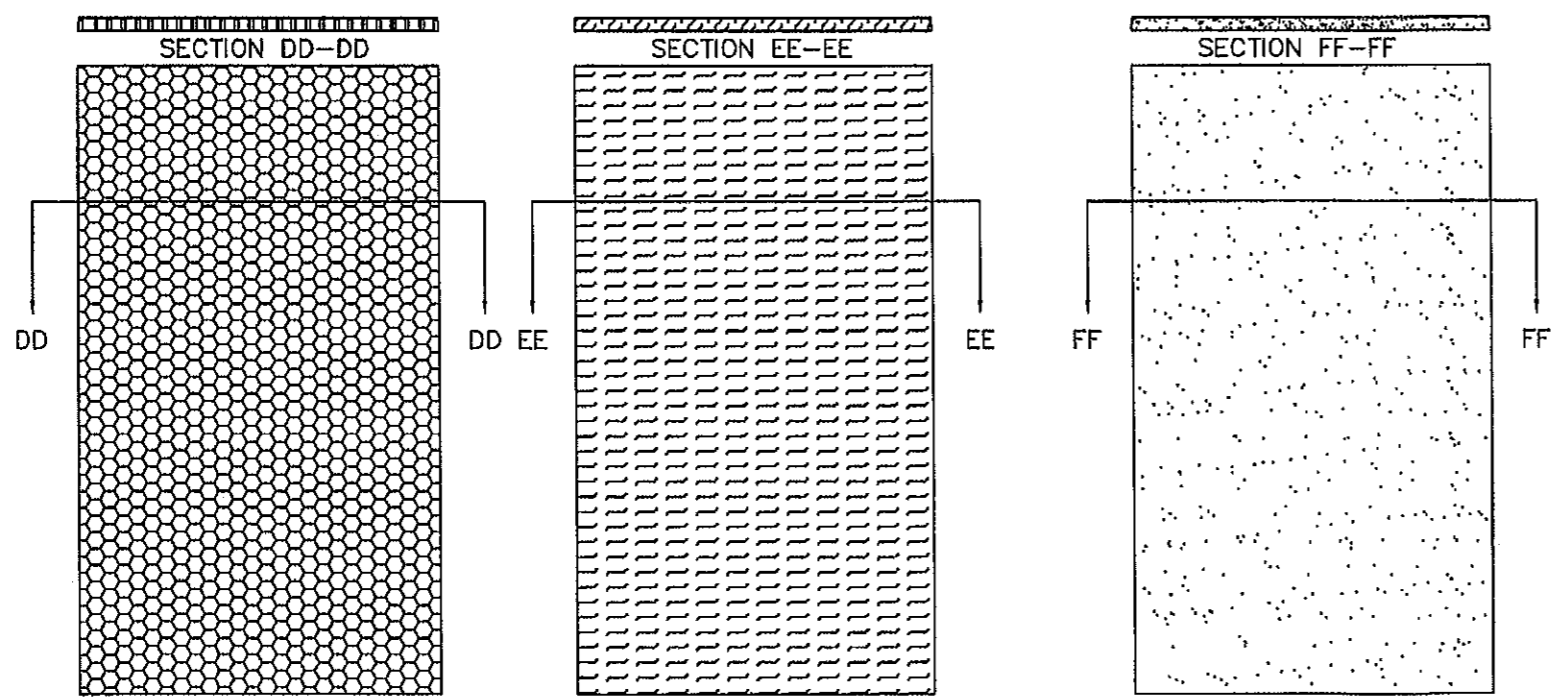
(A) EXPANDED POLYSTYRENE FOAM BY ATLAS EPS DENSITY: 1.0 LBS/FT³

(B) POLYISOCYANURATE 200 (POLYURETHANE) BY ELFOAM. DENSITY: 2 LBS/FT³

(C) STEEL STIFFENED HAT SHAPED SECTIONS 20 GA. MIN.



PRODUCT REVISED
 in compliance with the Florida
 Building Code
 Authority No. 11-0921-11
 Registration Date 2/24/12
 Isaac J. Chappell
 Florida State Product Council



(D) HONEYCOMB KRAFT PAPER.

(E) TEMPERATURE RISE CORE MINERAL FIBER BOARD DENSITY: 17±1.5 LBS/FT³

(F) EXPANDED POLYSTYRENE FOAM BY ATLAS EPS, DENSITY: 1.0 LB/FT³ OR POLYISOCYANURATE 200 (POLYURETHANE) BY ELFOAM. DENSITY: 2 LBS/FT³

DOOR WIDTH	STIFFENERS
3'-0"	8

NOTE:
 CORE MATERIAL SHOWN WITHOUT HARDWARE REINFORCEMENTS

Adm
 2/22/12

Gordon Thomas Date
 3759 Blossom Court
 Mason, OH 45040
 Florida #46718

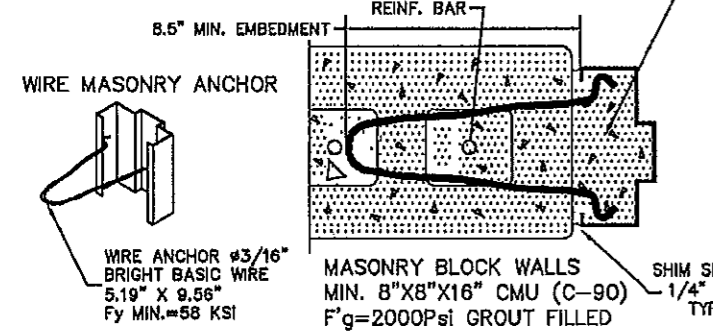
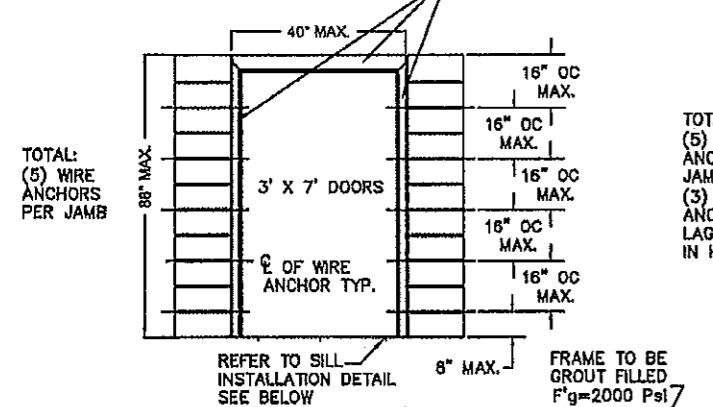
BEND RADIUS						STEELCRAFT 9017 BLUE ASH ROAD CINCINNATI, OH 45242	
THIRD ANGLE PROJECTION							
DRAWN	YMF	DATE	5/01/02	TITLE: IR/STEELCRAFT H SERIES SINGLE FLUSH OUTSWING COMMERCIAL STEEL DOOR W/ MORTISE LOCKS			
CHECKED				DOOR CORE MATERIAL OPTIONS			
APPROVED		SIZE	FLAT	DWG NO.	776W-2	REV	G
ENG. APPL.		SCALE:	NTS	AUTOCAD	SHT 4 OF 8		

REVISIONS

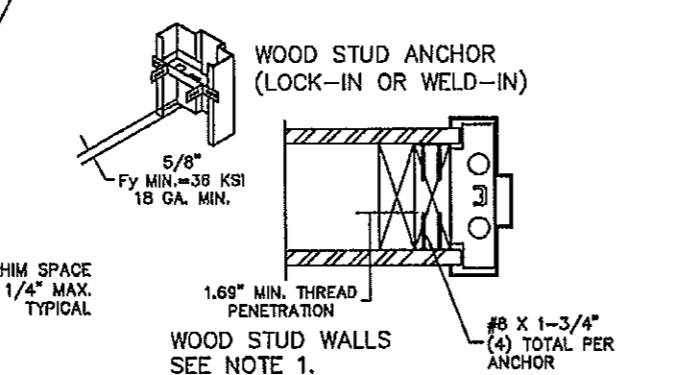
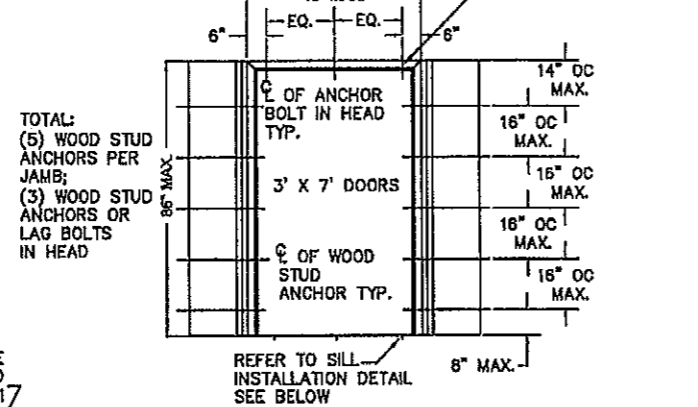
LTR	DESCRIPTION	DATE	APPROVED
A	APPROVAL DWGS.	02/26/03	
C	REVISED FOR SUBMITTAL	07/02/04	
D	REVISED PER DC BCCD	08/31/04	
E	REVISED PER DC BCCD	01/14/10	
F	REVISED PER DC BCCD	01/07/11	
G	REVISED PER DC BCCD	01/17/12	

PRODUCT REVISED
 as complying with the Florida
 Building Code
 Acceptance No. 11-092111
 Expiration Date 2/24/17
 By *[Signature]*
 Gordon Thomas Date
 3759 Blossom Court
 Mason, OH 45040
 Florida #46718

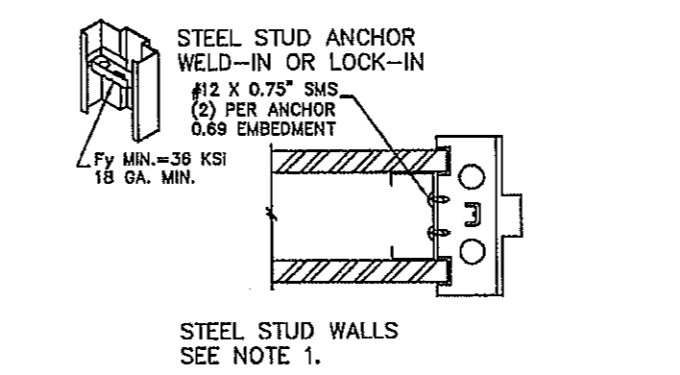
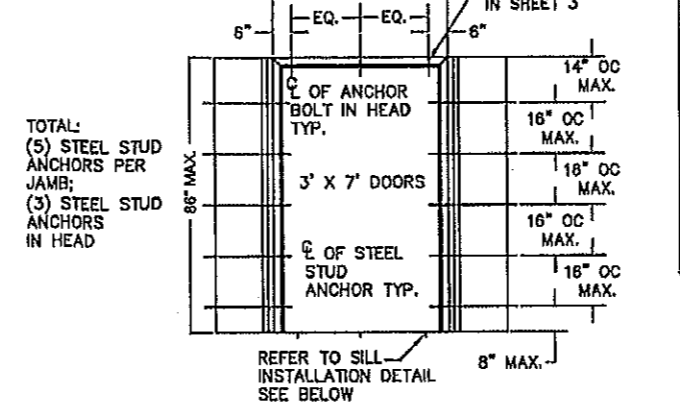
A WIRE MASONRY ANCHOR INTO GROUT FILLED FRAME AND BLOCK WALL
 $F'g=2000\text{psi}$ MIN. GROUT FILLED FRAME HEAD AND JAMBS



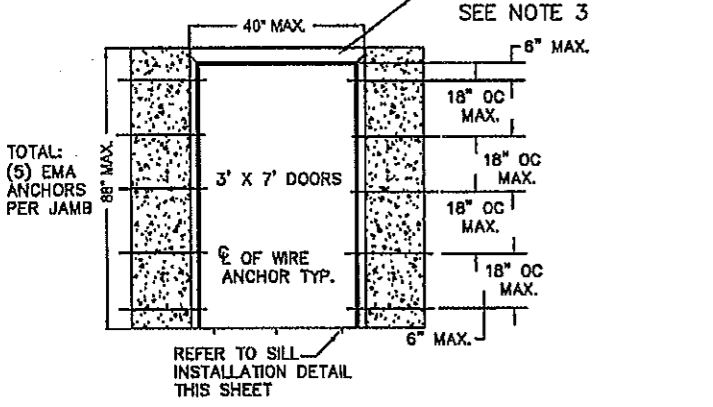
B WOOD STUD ANCHOR
 SEE ANCHOR DETAIL IN SHEET 3



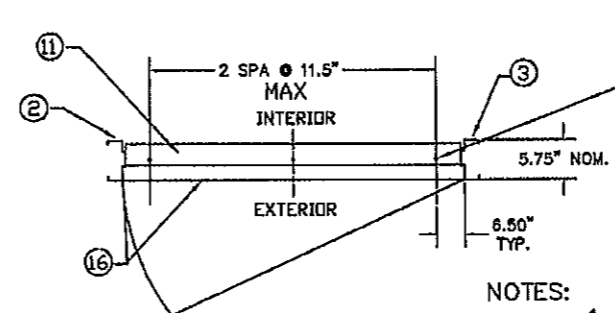
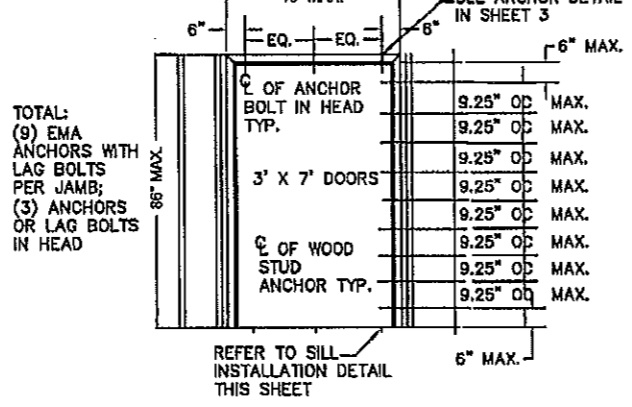
C STEEL STUD ANCHOR
 SEE ANCHOR DETAIL IN SHEET 3



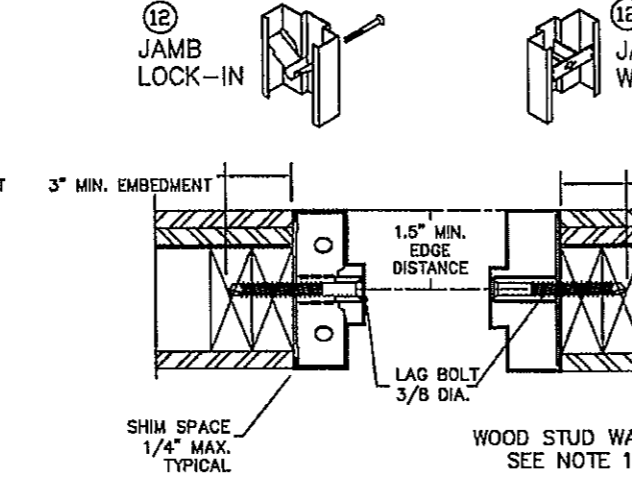
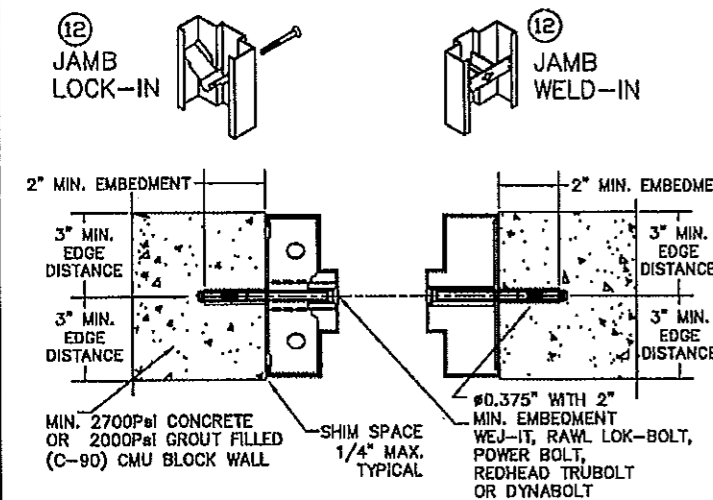
D EXISTING MASONRY ANCHOR (EMA) INTO CONCRETE WALL OR CMU
 IF 4\"/>



E EXISTING MASONRY ANCHOR (EMA) WITH LAG BOLT INTO WOOD STUD WALL
 SEE ANCHOR DETAIL IN SHEET 3



- NOTES:**
1. STUD WALL CONSTRUCTION STRUCTURAL MEMBERS MUST BE DESIGNED TO COMPLY WITH APPROVED DESIGN PRESSURE RATING WITH 283#/FT BASIS
 2. NUMBER OF ANCHORS FOR VARIOUS OPENING HEIGHTS IS LIMITED BY MAXIMUM DISTANCE BETWEEN ANCHORS, SHOWN ON THIS SHEET.
 3. HEAD SECTION CAN HAVE 4\"/>
 4. ELEVATIONS SHOWN FROM EXTERIOR FOR OUTSWING APPLICATIONS.



BEND RADIUS				Ingersoll Rand Security Technologies STEELCRAFT 9017 BLUE ASH ROAD CINCINNATI, OH 45242	
THIRD ANGLE PROJECTION					
DRAWN	YMF	DATE	5/01/02	TITLE: IR/STEELCRAFT H SERIES SINGLE FLUSH OUTSWING COMMERCIAL STEEL DOOR W/ MORTISE LOCKS ANCHOR DETAILS / MOUNTING CONDITIONS	
CHECKED					
APPROVED		SIZE	FLAT	DWG NO.	776W-2
ENG. APPVL		SCALE:	NTS	AUTOCAD	SHT 5 OF 8

AVAILABLE DOOR CONFIGURATIONS
(SEE NOTE 1.)

TABLE 1.

DOOR TYPE	CORE MATERIAL PER SHT.7	MAXIMUM OPENING SIZE		SKIN MATERIAL	
		WIDTH	HEIGHT	DESCR.	GA./MIN. THK
FLUSH	HONEYCOMB POLYSTYRENE POLYURETHANE	3'0"	7'0"	CRS GALV	16/.053" 14/.067"
STEEL STIFFENED	STEEL STIFFENED	3'0"	7'0"	CRS GALV	16/.053" 14/.067"
TEMPERATURE RISE CORE	MINERAL FIBER	3'0"	7'0"	CRS GALV	16/.053" 14/.067"
EMBOSSSED PANELS	POLYSTYRENE/ HONEYCOMB	3'0"	7'0"	GALV	16/.053"

AVAILABLE FRAME CONFIGURATIONS
(SEE NOTE 2.)

TABLE 2.

FRAME SERIES	JAMB DEPTH	MAXIMUM OPENING SIZE		MATERIAL	
		WIDTH	HEIGHT	DESCR.	GA./MIN. THK
F	5.75" NOM.	3'0"	7'0"	CRS/HRS GALV	16/.053" 14/.067" 12/.093"
MU	5.75" NOM.	3'0"	7'0"	CRS/HRS GALV	16/.053" 14/.067"

TABLE 3. STEEL MECHANICAL PROPERTIES.

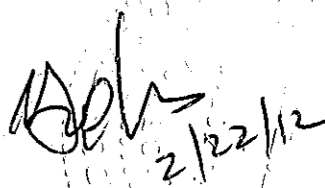
MATERIAL	ASTM REF.	DOOR		FRAME	
		YIELD KSI	TENSILE KSI	YIELD KSI	TENSILE KSI
CRS	ASTM A1008	44.7 MIN.	50.2 MIN.	31.1 MIN.	41.5 MIN.
HRS	ASTM A1011	44.7 MIN.	50.2 MIN.	31.1 MIN.	41.5 MIN.
GALV: A60	ASTM A924	44.7 MIN.	50.2 MIN.	31.1 MIN.	41.5 MIN.

REVISIONS

LTR	DESCRIPTION	DATE	APPROVED
A	APPROVAL DWG	02/26/03	
C	REVISED FOR SUBMITTAL	07/02/04	
D	REVISED FOR SUBMITTAL	08/31/04	
E	REVISED PER DC BCCO	01/14/10	
F	REVISED PER DC BCCO	01/07/11	
G	REVISED PER DC BCCO	01/17/12	

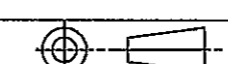

PRODUCT REVISED
as complying with the Florida
Building Code
Acceptance No. 11-0921-11
Expiration Date 2/22/12

By: Isaac L. Chande
Product Control

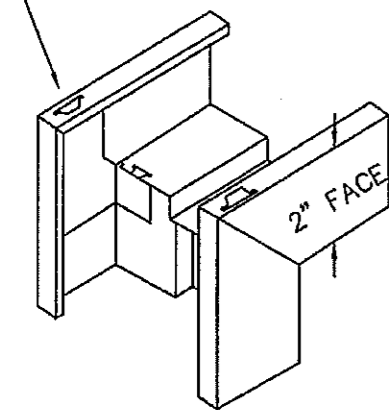

 Date 2/22/12
 Gordon Thomas
 3759 Blossom Court
 Mason, OH 45040
 Florida #46718

NOTES:

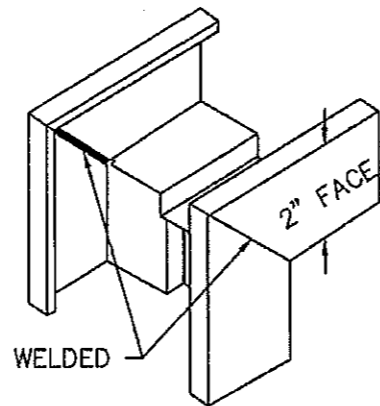
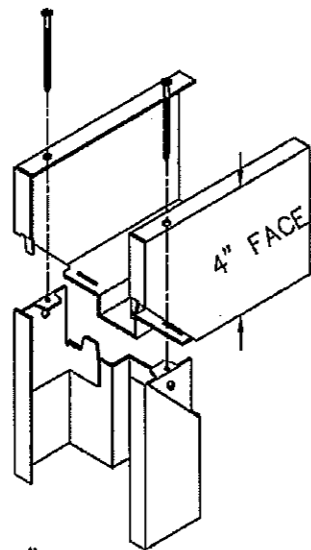
1. DOOR CONSTRUCTION
 - 1.1. MINIMUM DOOR THICKNESS - 1 3/4"
 - 1.2. DOORS AVAILABLE IN FLAT AND EMBOSSSED SURFACE MODELS (SEE TABLE.1)
 - 1.3. ALL DOORS ARE FLUSH - NO LITES OR LOUVERS APPROVED
2. FRAME CONSTRUCTION
 - 2.1. NOMINAL JAMB DEPTH - 5 3/4", STOP HEIGHT - 5/8"
 - 2.2. FRAMES AVAILABLE AS FLUSH (F-SERIES) AND MULT-USE (MU-SERIES) (SEE TABLE.2)
3. FOR MATERIAL SPECIFICATIONS REFERENCE SEE TABLE 3.

<p>BEND RADIUS</p>  <p>THIRD ANGLE PROJECTION</p> <p>DRAWN: YMF DATE: 5/01/02</p> <p>CHECKED:</p> <p>APPROVED:</p> <p>ENG. APPVL:</p>	 <p>Ingersoll Rand Security Technologies</p> <p>STEELCRAFT 9017 BLUE ASH ROAD CINCINNATI, OH 45242</p> <p>TITLE: IR/STEELCRAFT H SERIES SINGLE FLUSH OUTSWING COMMERCIAL STEEL DOOR W/ MORTISE LOCKS</p> <p>DOOR AND FRAME CONFIGURATIONS AND MATERIAL SPECS. HIGH PRESSURE APPLICATIONS</p>	<p>SIZE: FLAT</p> <p>DWG NO. 776W-2</p> <p>SCALE: NTS</p> <p>AUTOCAD</p> <p>SHT 6 OF 8</p>
--	--	--

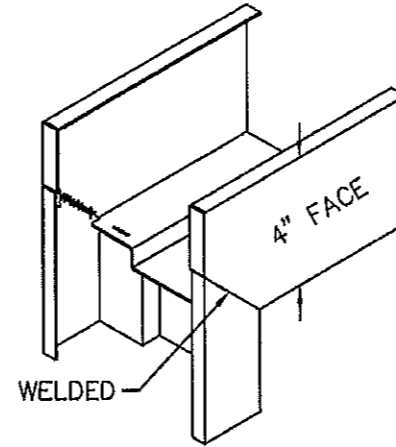
BENT TABS TO SECURE ASSEMBLY



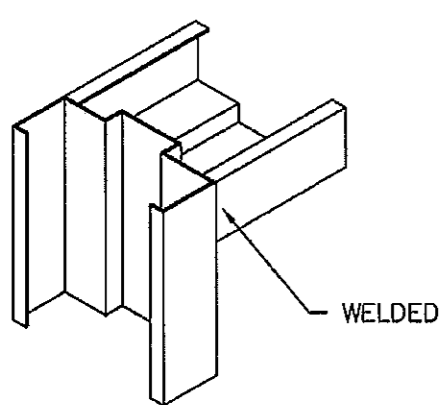
'KD'
"KNOCKED-DOWN"
ASSEMBLY



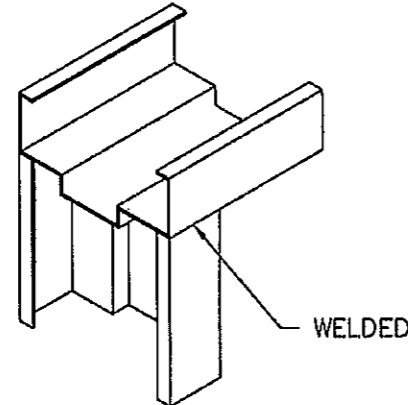
'SUA'
SET-UP AND ARC-WELDED
ASSEMBLY



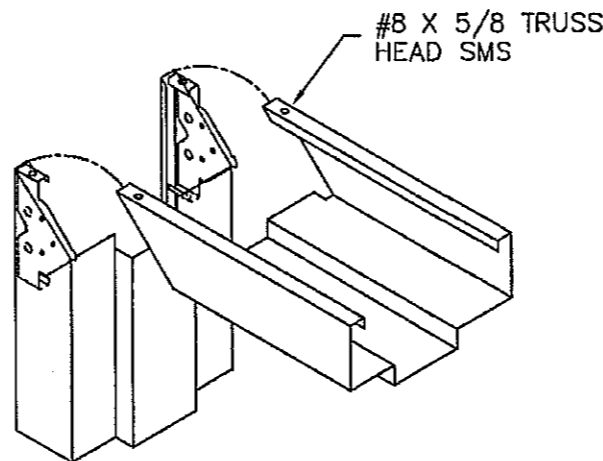
REVISIONS			
LTR	DESCRIPTION	DATE	APPROVED
A	APPROVAL DWG	02/26/03	
C	REVISED FOR SUBMITTAL	07/02/04	
D	REVISED PER DC BCCO	08/31/04	
E	REVISED PER DC BCCO	01/14/10	
F	REVISED PER DC BCCO	01/07/11	
G	REVISED PER DC BCCO	01/17/12	



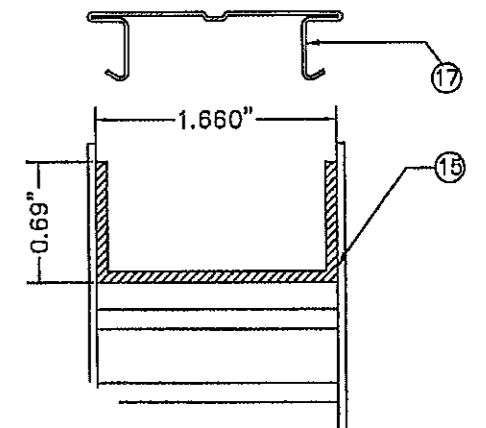
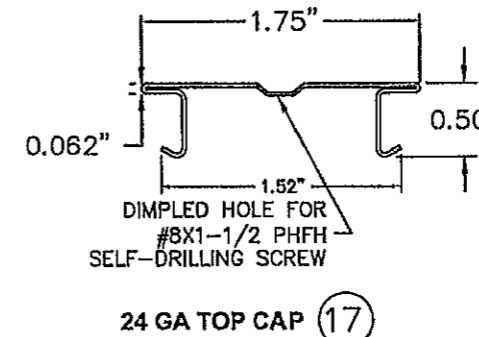
HEAD NOTCHED
AND BUTTED BETWEEN JAMBS



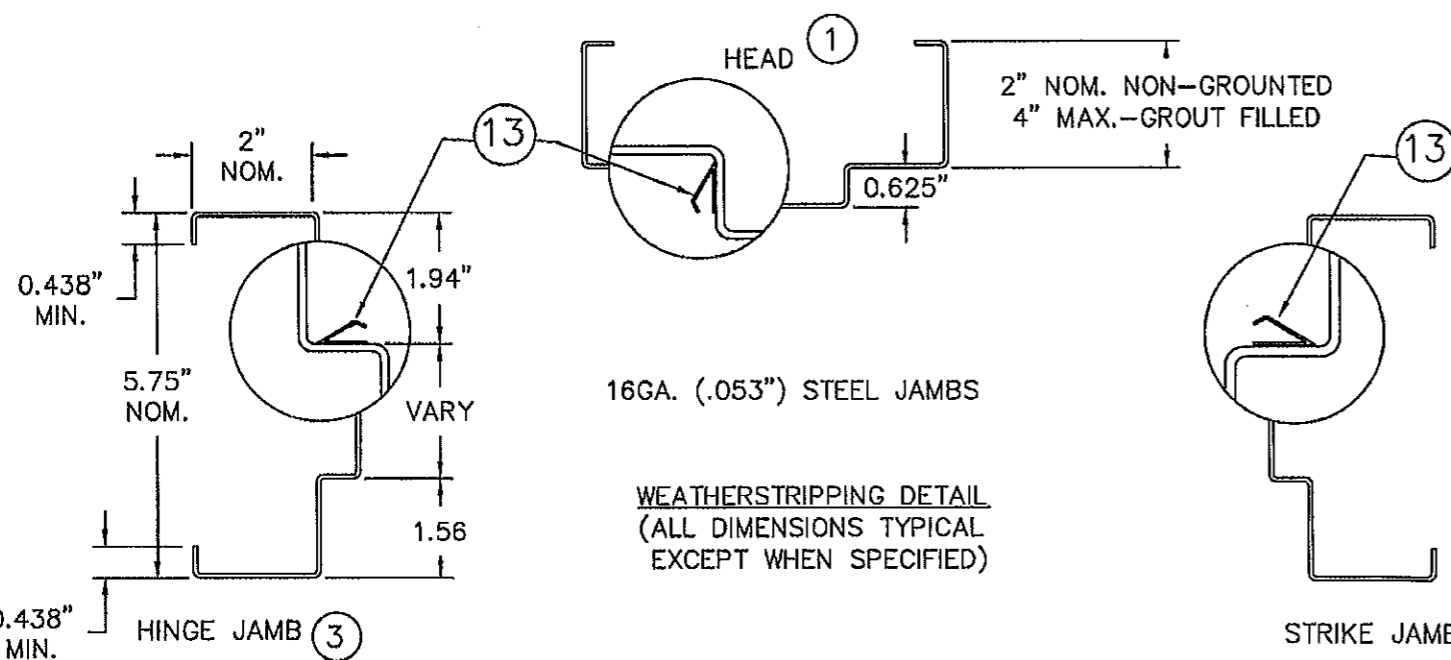
HEAD SITS ON TOP
OF NOTCHED JAMBS



'MU'
"MULTI-USE" SERIES
ASSEMBLY



TOP & BOTTOM CHANNEL
L=FULL DOOR WIDTH
14 GAGE



PRODUCT REVISED
as complying with the Florida
Building Code
Assignment No. 11-0921.11
Expiration Date 2/24/17
Michael D. Hancock
Michael D. Hancock Product Control

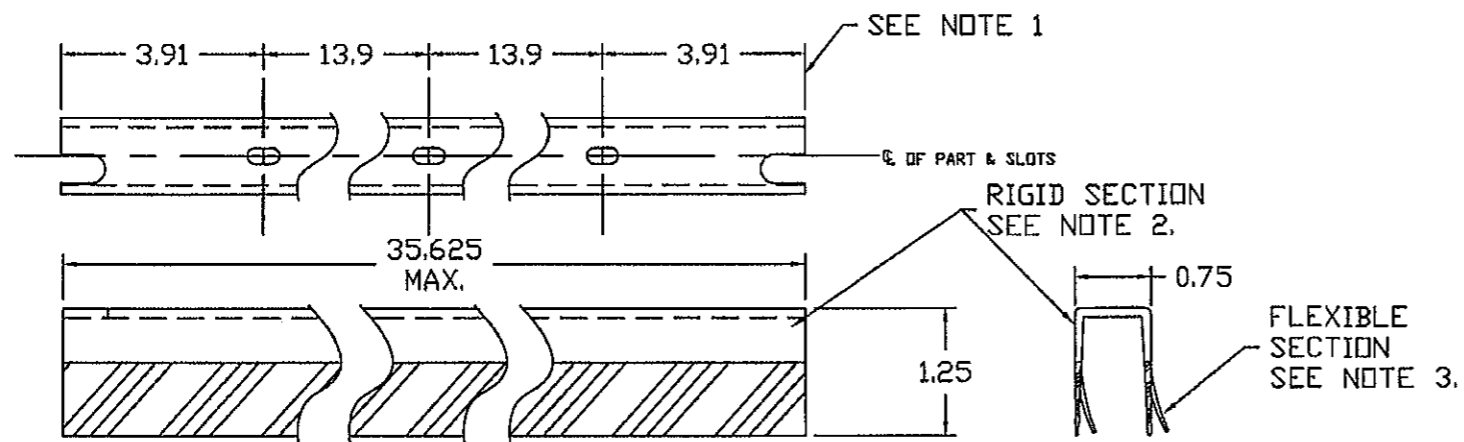
Michael D. Hancock 2/22/12
Date

Gordon Thomas
3759 Blossom Court
Mason, OH 45040
Florida #46718

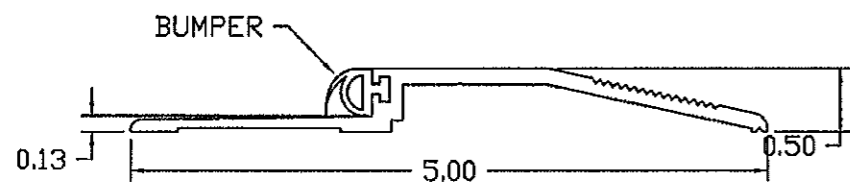
BEND RADIUS		Ingersoll Rand Security Technologies		STEELCRAFT 9017 BLUE ASH ROAD CINCINNATI, OH 45242	
THIRD-ANGLE PROJECTION				TITLE: I/R STEELCRAFT H SERIES SINGLE FLUSH OUTSWING COMMERCIAL STEEL DOOR W/ MORTISE LOCKS	
DRAWN YMF	DATE 02/05/02	CORNER DETAILS AND WEATHERSTRIPPING ATTACHMENT FOR FLUSH FRAME AND MU FRAMES		SIZE FLAT	DWG NO. 776W-2
CHECKED		SCALE: NTS AUTOCAD		REV G	SHT 7 OF 8
APPROVED					
ENG. APPVL					

REVISIONS

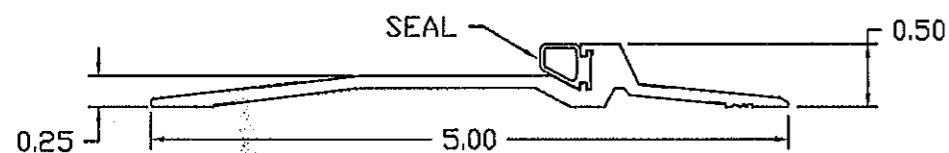
LTR	DESCRIPTION	DATE	APPROVED
A	APPROVAL DWG	02/26/03	
C	REVISED FOR SUBMITTAL	07/02/04	
D	REVISED FOR SUBMITTAL	08/31/04	
E	REVISED PER DC BCCD	01/14/10	
F	REVISED PER DC BCCD	01/07/11	
G	REVISED PER DC BCCD	01/17/12	



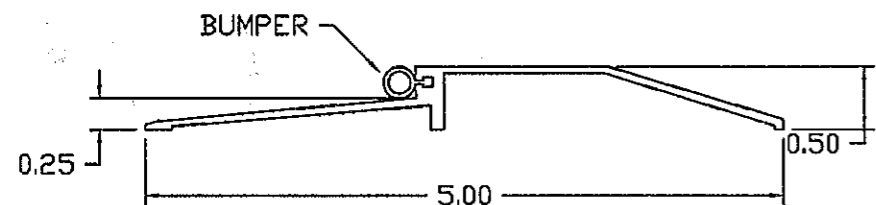
FAS-SEAL DOOR SWEEP (14)



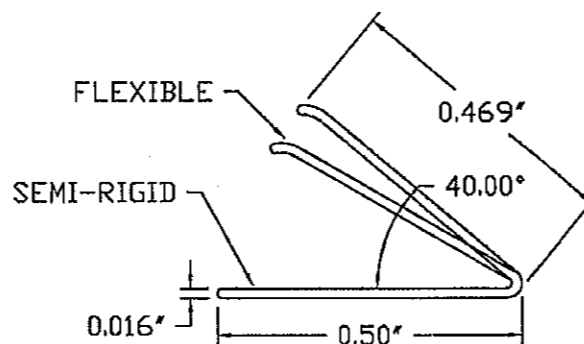
ZERD INT'L 566 SERIES THRESHOLD WITH NEOPRENE BUMPER (11-3)



PEMKO 2005 SERIES THRESHOLD WITH SILICONE, VINYL OR PILE SEAL (11-2)



NATIONAL GUARD 950 SERIES THRESHOLD WITH SILICONE, VINYL OR NEOPRENE BUMPER (11-1)



PS-074 SELF-ADHESIVE WEATHERSTRIPPING (13)

PRODUCT REVISED
 as complying with the Florida
 Building Code
 Assignment No. 11-0921-11
 Revision Date 02/24/2017
Iskhan J. Ham
 Product Control

NOTES:

1. SLOT LOCATIONS MAY VARY WITH DIFFERENT DOOR WIDTH. (MAX. 36")
2. DOOR SWEEP RIGID SECTION IS MADE OF PRO-FAX #PD-199 POLYPROPYLENE HOMOPOLYMER
3. DOOR SWEEP FLEXIBLE SECTION IS MADE OF SANTOPRENE #101-73 73 DUROMETER - SHORE A SCALE

ATL
 2/22/12
 Gordon Thomas Date
 3759 Blossom Court
 Mason, OH 45040
 Florida #46718

BEND RADIUS						STEELCRAFT 9017 BLUE ASH ROAD CINCINNATI, OH 45242	
THIRD ANGLE PROJECTION							
DRAWN	DATE	TITLE: IR/STEELCRAFT H SERIES SINGLE FLUSH OUTSWING COMMERCIAL STEEL DOOR W/ MORTISE LOCKS					
YMF	02/05/02	DOOR ACCESSORIES BOTTOM SWEEP THRESHOLDS AND WEATHERSTRIPPING					
CHECKED		SIZE	FLAT	DWG NO.	776W-2	REV	G
APPROVED		SCALE: NTS		AUTOCAD		SHT 8 OF 8	
ENG. APPVL							