



BUILDING CODE COMPLIANCE OFFICE (BCCO)
PRODUCT CONTROL DIVISION

MIAMI-DADE COUNTY, FLORIDA
METRO-DADE FLAGLER BUILDING
140 WEST FLAGLER STREET, SUITE 1603
MIAMI, FLORIDA 33130-1563
(305) 375-2901 FAX (305) 375-2908
www.miamidade.gov/Buildingcode

NOTICE OF ACCEPTANCE (NOA)

Ingersoll-Rand
2720 Tobey Drive
Indianapolis, IN 46219

SCOPE:

This NOA is being issued under the applicable rules and regulations governing the use of construction materials. The documentation submitted has been reviewed by Miami-Dade County Product Control Division and accepted by the Board of Rules and Appeals (BORA) to be used in Miami Dade County and other areas where allowed by the Authority Having Jurisdiction (AHJ).

This NOA shall not be valid after the expiration date stated below. The Miami-Dade County Product Control Division (In Miami Dade County) and/or the AHJ (in areas other than Miami Dade County) reserve the right to have this product or material tested for quality assurance purposes. If this product or material fails to perform in the accepted manner, the manufacturer will incur the expense of such testing and the AHJ may immediately revoke, modify, or suspend the use of such product or material within their jurisdiction. BORA reserves the right to revoke this acceptance, if it is determined by Miami-Dade County Product Control Division that this product or material fails to meet the requirements of the applicable building code.

This product is approved as described herein, and has been designed to comply with the Florida Building Code, including the High Velocity Hurricane Zone.

DESCRIPTIO: IR series "ExpiDoor" Single Flush Outswing Steel Commercial Door-Impact

APPROVAL DOCUMENT: Drawing No "1035W-1", titled "ExpiDoor Series System", sheets 1 through 6 of 6, dated 03/11/03 last revised on 12-03-08, prepared by the manufacturer, signed & sealed by Gordon Thomas, P. E. bearing the Miami-Dade County Product Control Renewal stamp with the Notice of Acceptance number and expiration date by the Miami-Dade County Product Control Division.

MISSILE IMPACT RATING: Large Missile Impact Resistant

Limitation: Grit/Stud wall to be designed separately to withstand the imposed load and be reviewed by AHJ.

LABELING: Each unit shall bear a permanent label with the manufacturer's name or logo, city, state and following statement: "Miami-Dade County Product Control Approved", unless otherwise noted herein.

RENEWAL of this NOA shall be considered after a renewal application has been filed and there has been no change in the applicable building code negatively affecting the performance of this product.

TERMINATION of this NOA will occur after the expiration date or if there has been a revision or change in the materials, use, and/or manufacture of the product or process. Misuse of this NOA as an endorsement of any product, for sales, advertising or any other purposes shall automatically terminate this NOA. Failure to comply with any section of this NOA shall be cause for termination and removal of NOA.

ADVERTISEMENT: The NOA number preceded by the words Miami-Dade County, Florida, and followed by the expiration date may be displayed in advertising literature. If any portion of the NOA is displayed, then it shall be done in its entirety.

INSPECTION: A copy of this entire NOA shall be provided to the user by the manufacturer or its distributors and shall be available for inspection at the job site at the request of the Building Official.

This NOA **renews** NOA # **03-1107.03** and consists of this page 1 and evidence page E-1, as well as approval document mentioned above.

The submitted documentation was reviewed by **Ishaq I. Chanda, P.E.**



NOA No 08-1216.01
Expiration Date: February 19, 2014
Approval Date: January 28, 2009
Page 1

1/17/09

NOTICE OF ACCEPTANCE: EVIDENCE SUBMITTED

- A. **DRAWINGS** (transferred from file # 03-1107.3)
1. Manufacturer's parts and sections drawings.
 2. Drawing No "1035W-1", titled " ExpiDoor Series System", sheets 1 through 6 of 6, dated 03/11/03 last revised on 12-03-08, prepared by the manufacturer, signed & sealed by Gordon Thomas, P. E.
- B. **TESTS** (transferred from file # 03-1107.3)
1. Test Report No. **CTLA-1035W-1**, prepared by Certified Testing Laboratory, Architectural Division, dated April 7, 2003, signed and sealed by Ramesh Patel, P.E., for the following tests:
 - 1) Air Infiltration Test, per TAS 202-94
 - 2) Uniform Static Air Pressure Test, Loading per TAS 202-94
 - 3) No Water Resistance Test performed.
 - 4) Large Missile Impact Test per FBC, TAS 201-94
 - 5) Cyclic Wind Pressure Loading per FBC, TAS 203-94
 - 6) Forced Entry Test, per TAS 202-94along with manufacturer's parts and section drawings marked by Certified Testing Laboratory.
- C. **CALCULATIONS:** (transferred from file # 03-1107.3)
1. Anchor Calculations and structural analysis, prepared by Product Technology Corporation, dated 06/02/03, signed and sealed by Rene J. Quiroga, P. E.
- D. **QUALITY ASSURANCE**
1. Miami Dade Building Code Compliance Office (BCCO).
- E. **MATERIAL CERTIFICATIONS**
1. Tensile Test report No. A103W1-Test 1, 2 & 3 dated 23 APR 03 per ASTM E-8 for steel face sheet, prepared by Certified Testing laboratory, signed and sealed by Ramesh Patel, P.E.
 2. Test Report No. **NER-384**, reissued dated May 01, 1994, issued by National Evaluation Service Inc to Huntsman Chemical Corporation for "Expanded Polystyrene EPS" for grade 86 & grade 54 for "Surface Burning Characteristics Of Building material" per ASTM E 84.
 3. Test Report No. **9691**, dated August 28, 1987, 1994, issued by United Testing Company Inc. to Huntsman Chemical Corporation for "Expanded Polystyrene EPS" for grade 86 & 54 for "Self Ignition Temperature Test" per ASTM D-1929.
- F. **STATEMENTS**
1. Statement letter of conformance and no financial interest, dated Dec. 20, 2008, prepared, signed and sealed by Gordon Thomas, P.E.
 2. *Statement letter of conformance* and no financial interest, dated June 2, 2003, issued by Product Technology corp., signed and sealed by Rene J. Quiroga, P.E. (transferred from file # 03-1107.3)
 3. Laboratory Compliance statement issued as part of test report.
- G. **OTHER**
1. This NOA **renews** NOA # **03-1107.03**, expiring February 19, 2009.

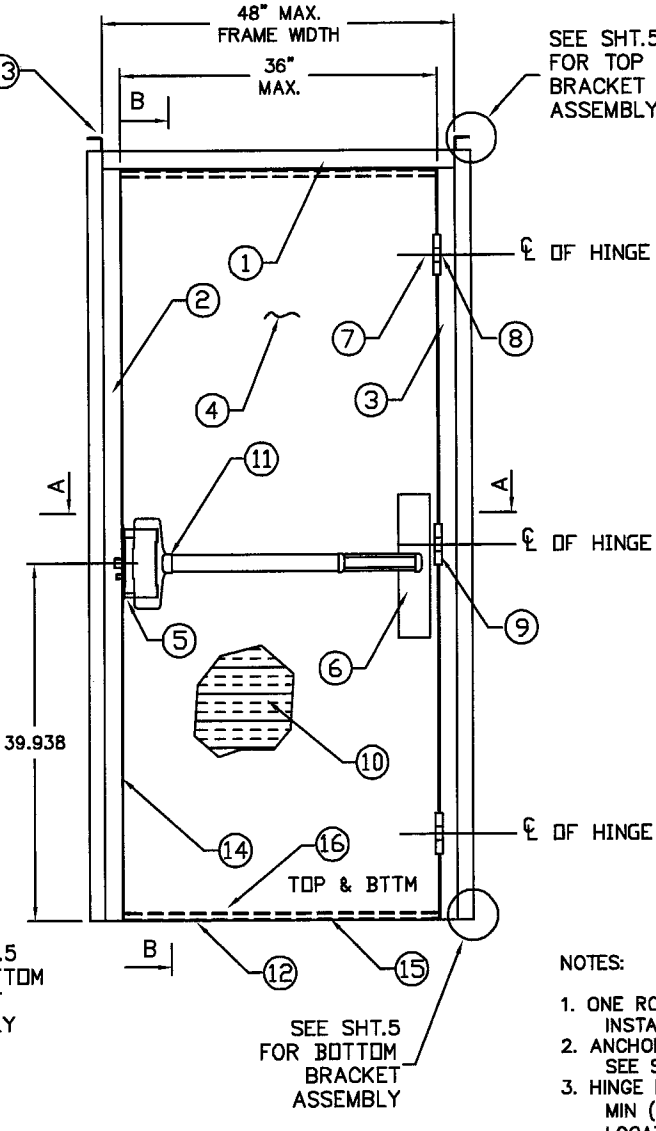
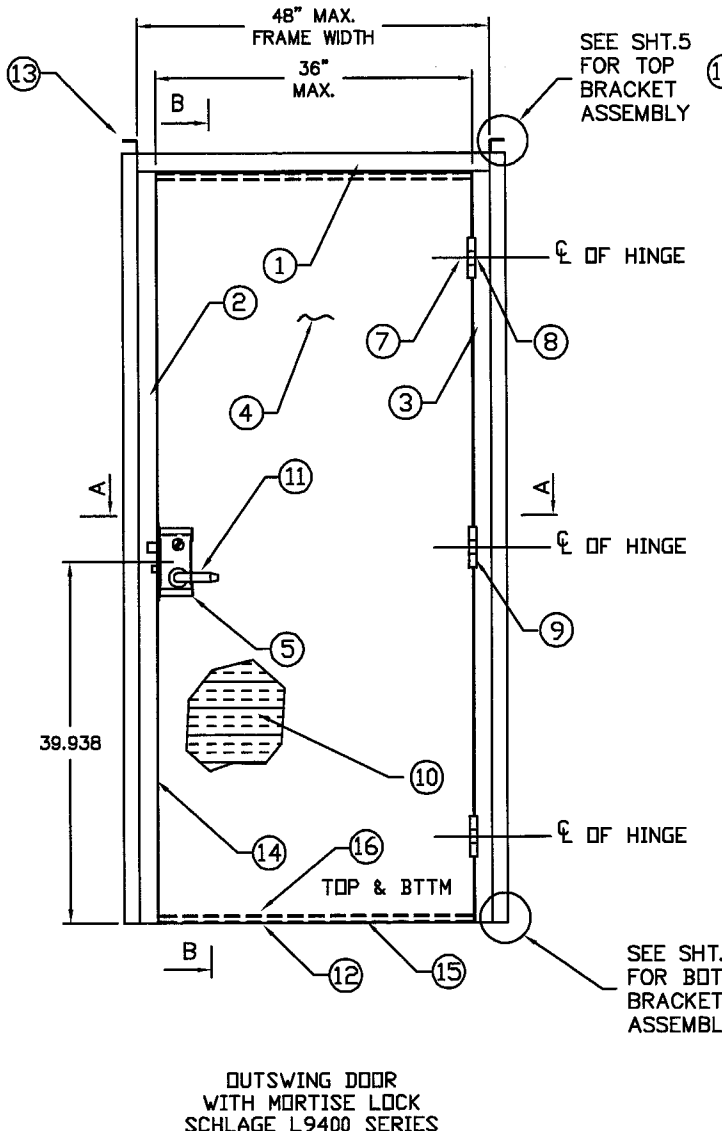
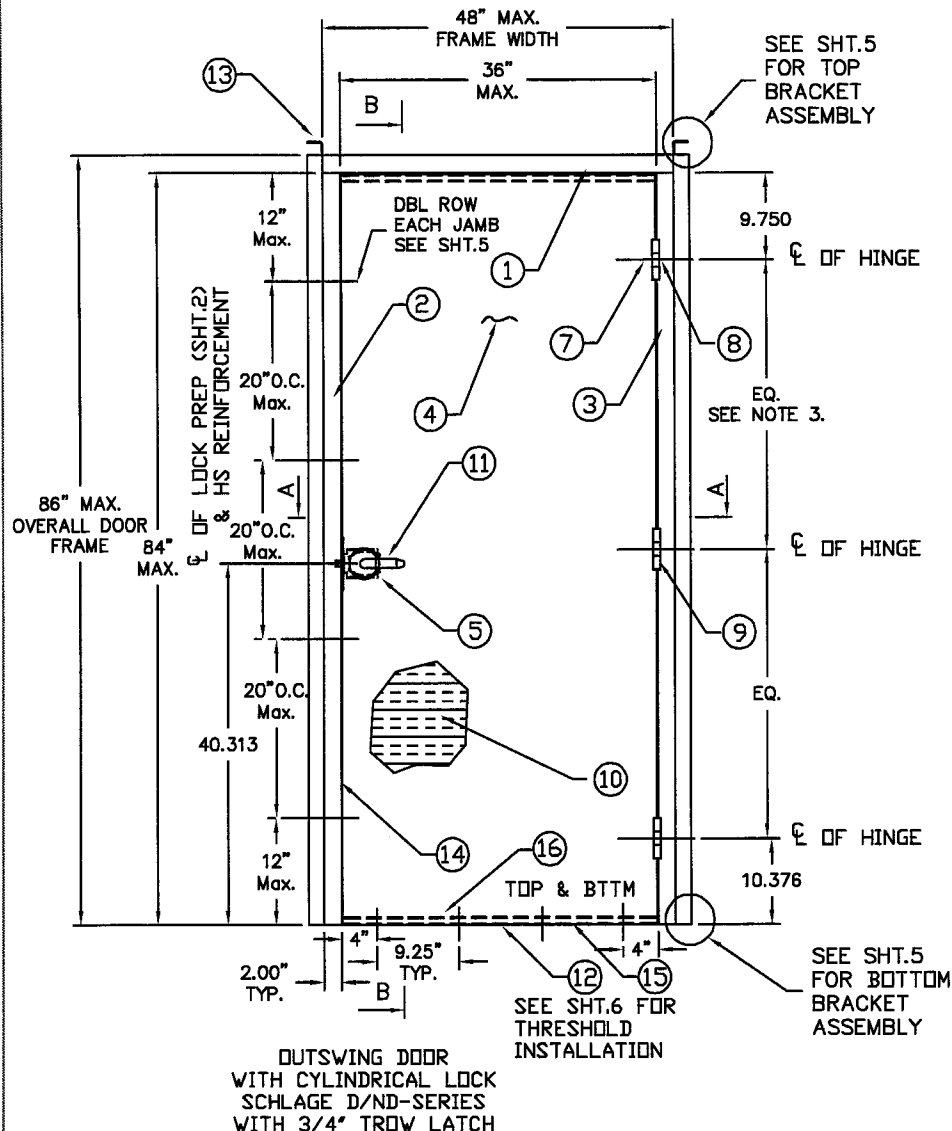
Ishaq I. Chanda

Ishaq I Chanda, P.E.
Product Control Examiner
NOA No 08-1216.01
Expiration Date: February 19, 2014
Approval Date: January 28, 2009

DESIGN PRESSURE RATING		
	WHERE WATER INFILTRATION REQUIREMENT IS NEEDED	WHERE WATER INFILTRATION REQUIREMENT IS NOT NEEDED
POSITIVE	NOT APPROVED	+ 70 PSF
NEGATIVE	NOT APPROVED	- 70 PSF

REVISIONS

LTR	DESCRIPTION	DATE	APPROVED
A	APPROVAL DWGS.	03.11.03	
B	REVISED PER DC BCCD YMF	01/29/04	



Handwritten:
Add by
12/31/08
FL 46716

PRODUCT RENEWED
as complying with the Florida
Building Code
Acceptance No. 08-1216-01
Expiration Date. FEB 19, 2014
By Shag I. Chanda
Miami Dade Product Control
Division

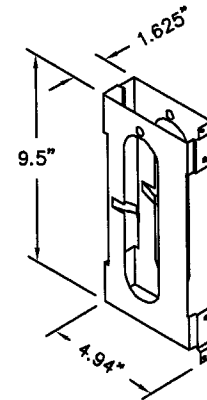
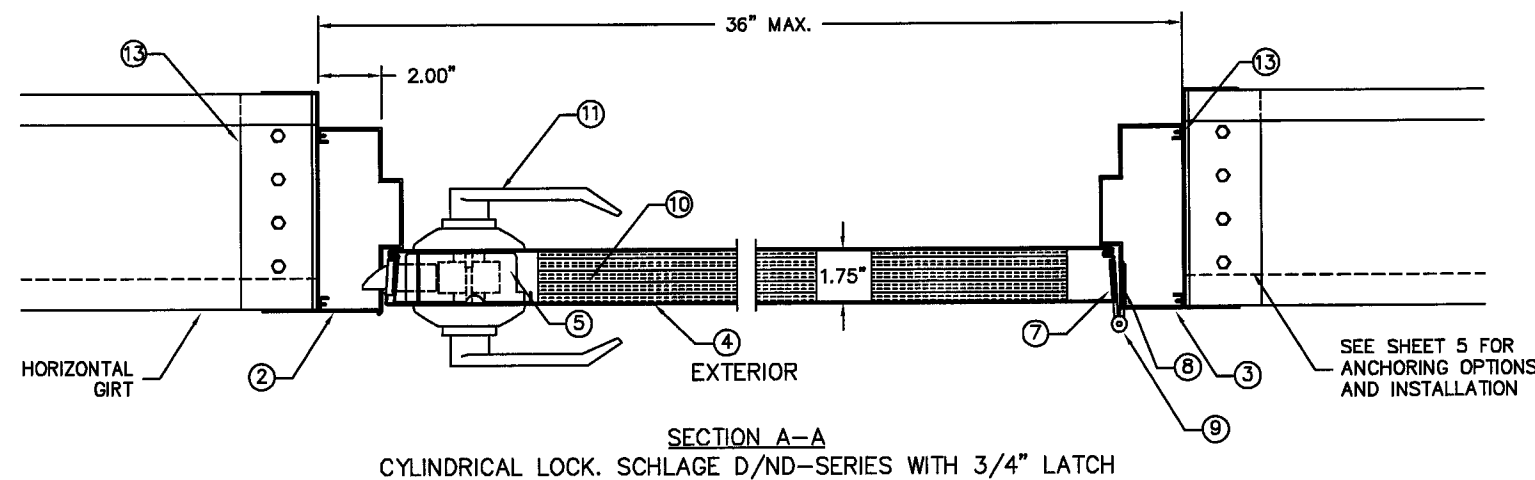
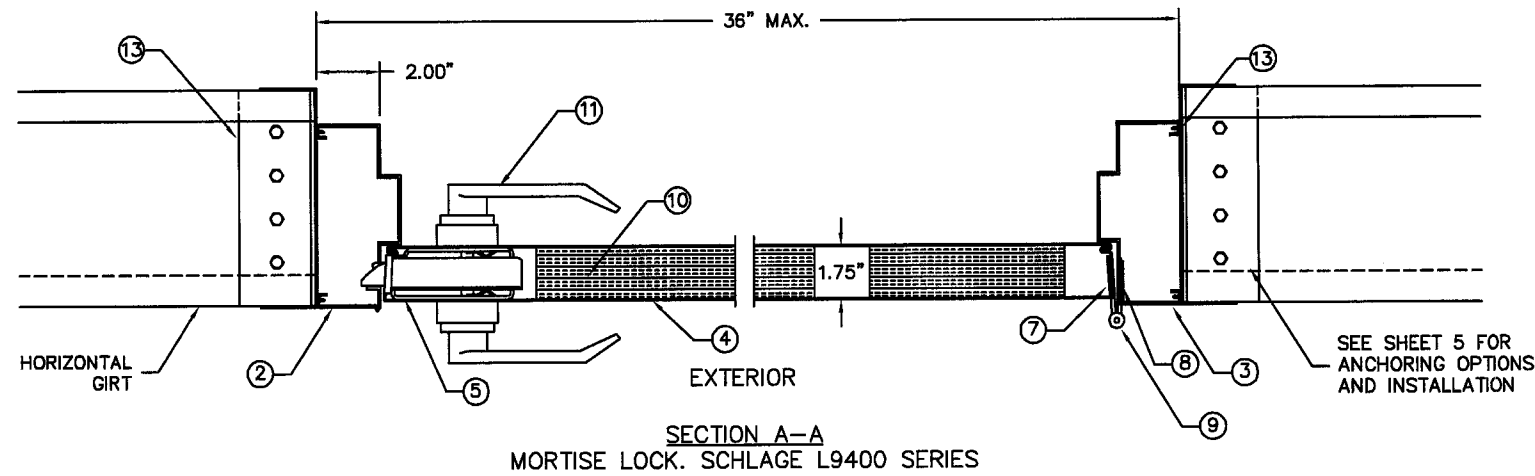
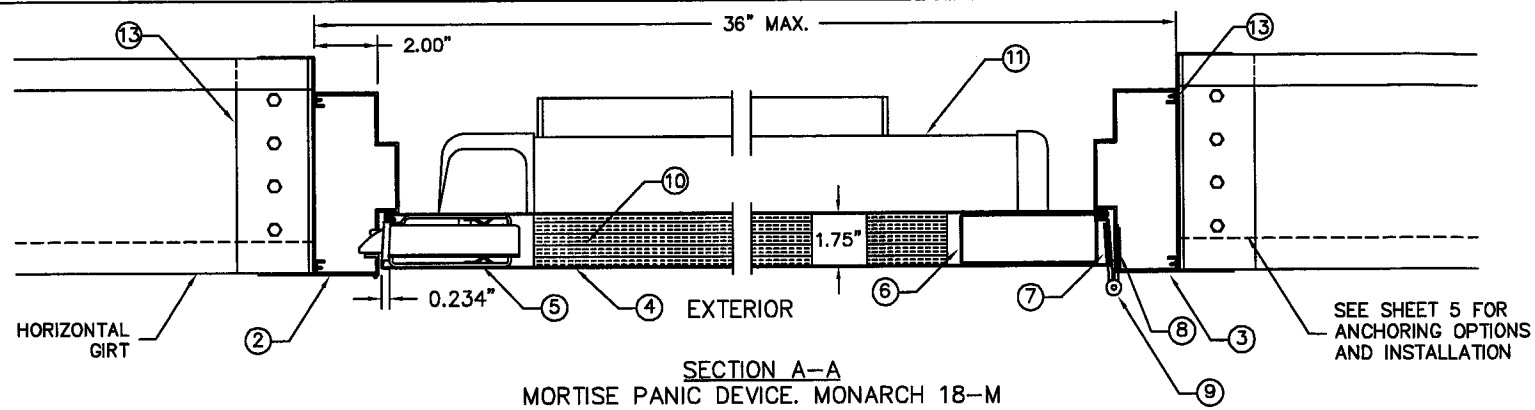
- NOTES:
- ONE ROW OF PS074 WEATHERSTRIPPING PER JAMB AND HEAD. INSTALL PER SHT. 5.
 - ANCHOR REQUIREMENTS: SEE SHEET 5 FOR APPROVED ANCHORING SYSTEM FOR EXPI-DOOR UNIT.
 - HINGE REQUIREMENTS: MIN (3) HINGES
LOCATIONS: 9.75" FROM RABBET IN HEAD TO CL OF TOP HINGE
10.38" FROM FLOOR TO CL OF BOTTOM HINGE, EQUALLY SPACED IN BETWEEN.
 - SEE SHEET 4 FOR AVAILABLE STANDARD OPENING SIZES AND SPECIFICATIONS.
 - HARDWARE INSTALLATION AS PER MANUFACTURER'S INSTRUCTIONS.
 - APPLY CAULK AS NEEDED.
 - SPECIFIC EGRESS/ESCAPE APPLICATION OF THIS DOOR, IN COMPLIANCE WITH THE FBC, TO BE DETERMINED BY BUILDING OFFICIAL ON CASE BY CASE BASIS.

ITEM	QUANTITY	DESCRIPTION	MATERIAL	SIZE
1	1	HEAD SECTION SEE SHT 5 ASTM A924 16 GA.	.053" MIN. STL	MAX. 40"
2	1	STRIKE JAMB. SEE SHT 5 16 GA.	.053" MIN. STL	MAX. 86"
3	1	HINGE JAMB SEE SHT 5 ASTM A924 16 GA.	.053" MIN. STL	MAX. 86"
4	1	DOOR SLAB (18 GA) MIN. Fy=43,700 PSI	SEE SHT 4	3'0" X 7'0" MAX.
5	1	LOCK REINFORCEMENT	SEE SHT 2	SEE SHT 2
6	1	HINGE SIDE REINFORCEMENT	.067" MIN. STL	4" X MAX. 20"
7	NOTE 3.	HINGE REINFORCEMENT DOOR ASTM A621 SHT 2	.171" MIN. STL.	1.28" X 9.19"
8	NOTE 3.	HINGE REINFORCEMENT FRAME ASTM A621 SHT 2	.171" MIN. STL.	1.5" X 9.187"
9	NOTE 3.	STANELY F179/1900 OR HAGER 1279 HINGES	.134" MIN. STL.	4.5" X 4.5" (12-24 MS) 4 SCREWS PER HINGE
10	1	CORE MATERIAL: POLYSTYRENE	SEE SHEET 4	SEE SHEET 4
11	1	LOCKING HARDWARE - SEE SHT 3 A) MONARCH 18-M MORTISE PANIC B) SCHLAGE D/ND-SERIES CYLINDRICAL LOCK C) SCHLAGE L9400 SERIES MORTISE LOCK		
12	1	FULL JAMB DEPTH THRESHOLD SHT 6	.100" ALUM. 6063 T5	.50" X 5.78" X 36" MAX.
13	NOTE 2.	EXPI-DOOR ANCHORING SYSTEM PER SHT 5 & 6		
14	3	PS074 WEATHER STRIPPING SHT 5 & 6	TPE	MAX. 17"
15	1	FAS-SEAL DOOR SWEEP SHT 6	TPE	MAX. 35.66"
16	2	END CHANNEL ASTM A924 INVERTED (14 GA)	.067" MIN. STL.	.69" X 1.66" X 35.66" MAX.
17	AS NEEDED	BUTYL RUBBER OR 100% SILICONE (OPTIONAL)		

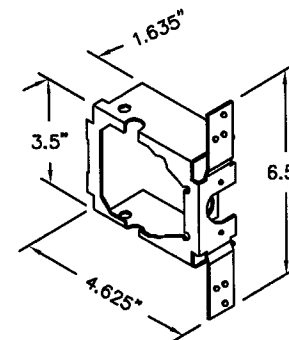
BEND RADIUS				INGERSOLL-RAND COMPANY STEELCRAFT MFG. 9017 BlueAsh Rd. Cincinnati Ohio 45242	
THIRD ANGLE PROJECTION					
DRAWN	DATE	TITLE		DADE COUNTY	
NF	03.11.03	EXPIDOR SERIES SYSTEM (OUTSWING)		WITH IR HARDWARE	
CHECKED		SIZE		FLAT	
APPROVED		DWG NO.		1035W-1 SHEET 1 OF 6	
ENG. APPVL		SCALE:		NTS AUTOCAD	
		SHEET		OF	

REVISIONS

LTR	DESCRIPTION	DATE	APPROVED
A	APPROVAL DWGS.	03.11.03	
B	REVISED PER DC BCCO YMF	01/29/04	



⑤ 16 GA. MORTISE LOCK/PANIC REINFORCEMENT



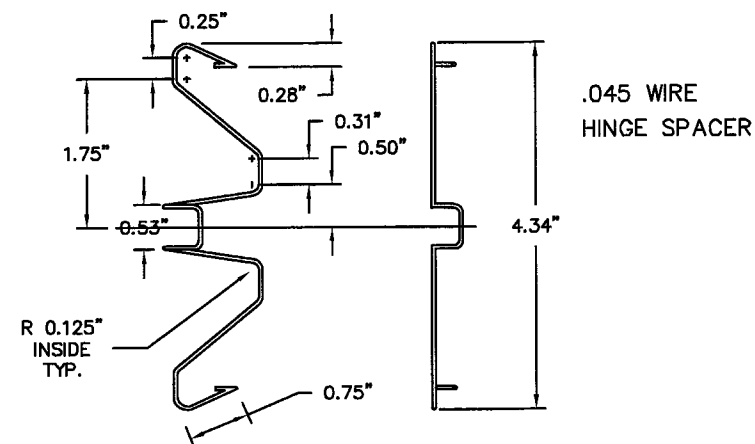
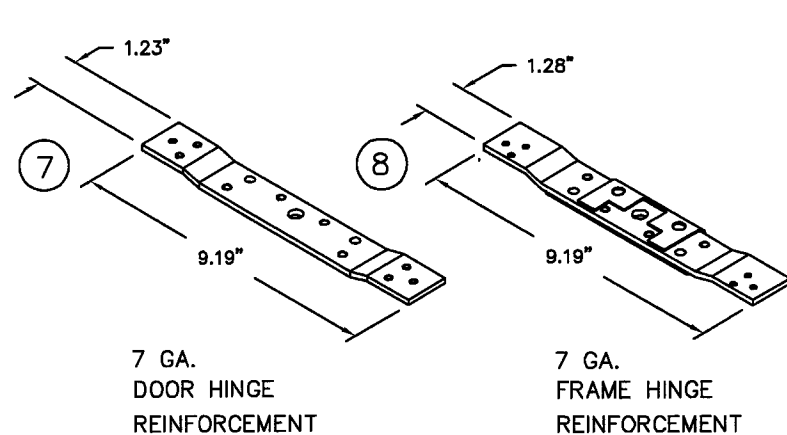
⑤ 16 GA. CYLINDRICAL LOCK REINFORCEMENT

Adm
12/31/08
FL 46718

PRODUCT RENEWED
as complying with the Florida
Building Code
Acceptance No 08-1216-01
Expiration Date FEB 19, 2014
By Shawn L. Chang
Miami-Dade Product Control
Division

NOTES:

1. SEE SHT.1 FOR ELEVATION, MATERIAL AND SIZE
2. SEE SHT.5 & 6 FOR ANCHOR REQUIREMENTS
3. SEE SHT. 5 FOR GIRT/STUD WALL CONSTRUCTION AND ANCHORING SYSTEM.
4. SEE SHT. 4 & 5 FOR AVAILABLE SIZES, JAMB DEPTHS AND SPECIFICATIONS.
5. APPROVED HARDWARE INSTALLATION IS PER MANUFACTURER'S INSTRUCTIONS.

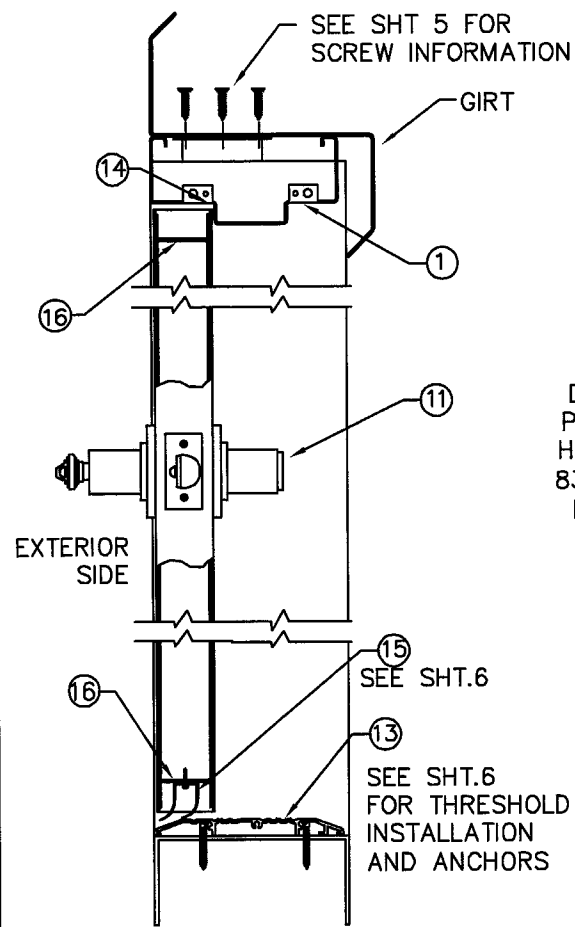


BEND RADIUS		INGERSOLL-RAND COMPANY STEELCRAFT MFG. 9017 BlueAsh Rd. Cincinnati Ohio 45242	
THIRD ANGLE PROJECTION			
DRAWN NF	DATE 03.11.03	TITLE DADE COUNTY CROSS SECTION OF EXPIDOOOR SERIES UNIT IR EXIT HARDWARE 3070 SINGLE DOORS	
CHECKED		SIZE FLAT	DWG NO. 1035W-1 SHEET 2 OF 6
APPROVED		SCALE: NTS AUTOCAD	REV B
ENG. APPVL			

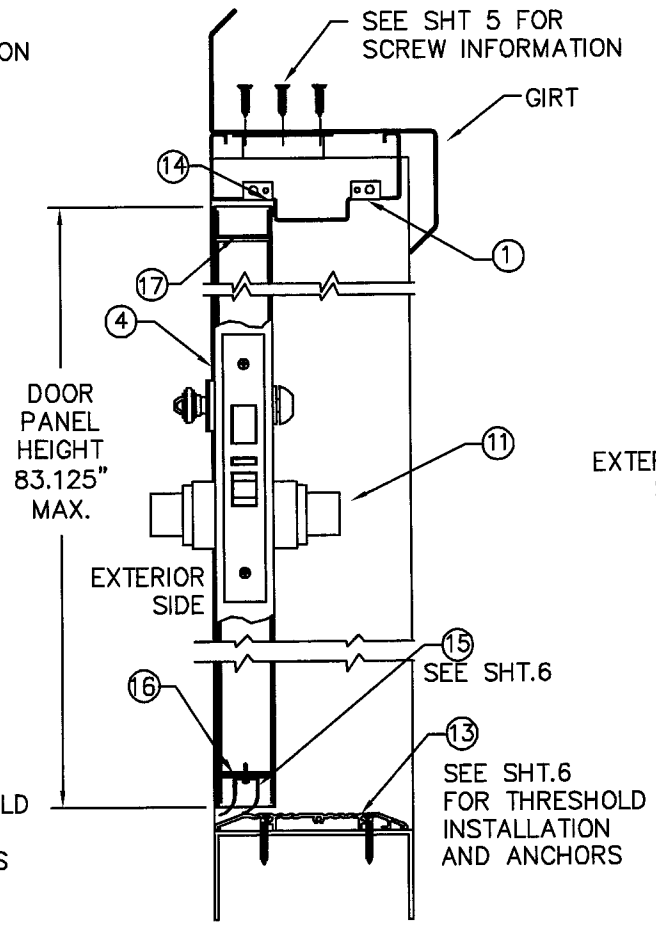
REVISIONS

LTR	DESCRIPTION	DATE	APPROVED
A	APPROVAL DWGS.	03.11.03	
B	REVISED PER DC BCCO YMF	01/29/04	

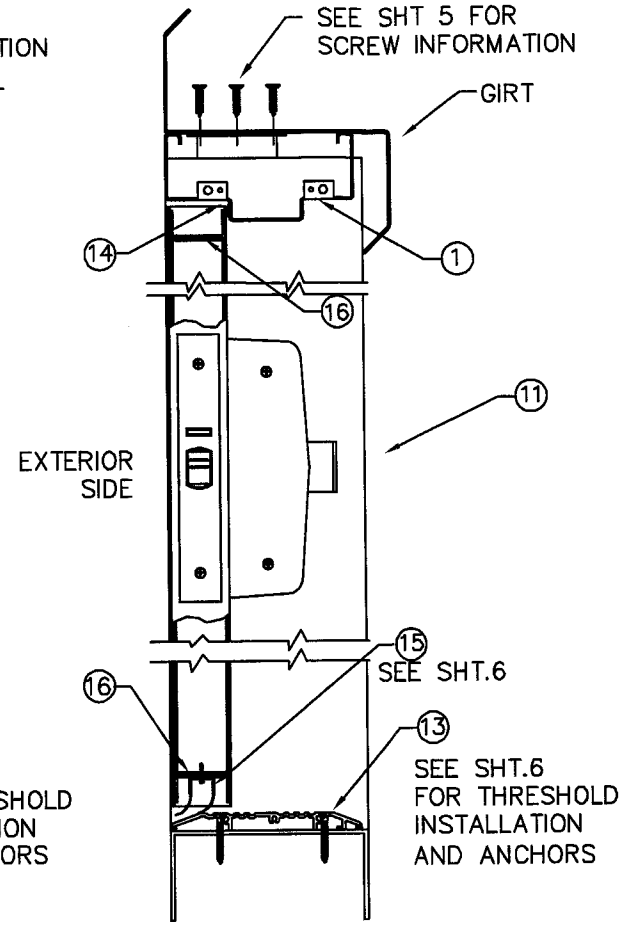
Handwritten:
Add by
12/31/08
FL 46718



SECTION B-B
CYLINDRICAL LOCKSET
SCHLAGE D/ND-SERIES



SECTION B-B
MORTISE LOCKSET
SCHLAGE L9400 SERIES

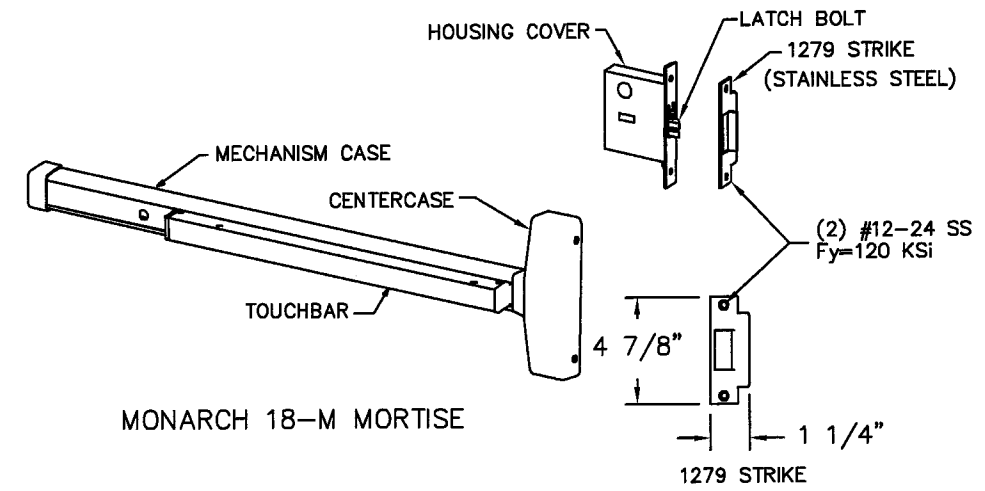


SECTION B-B
MORTISE PANIC DEVICE
MONARCH 18-M

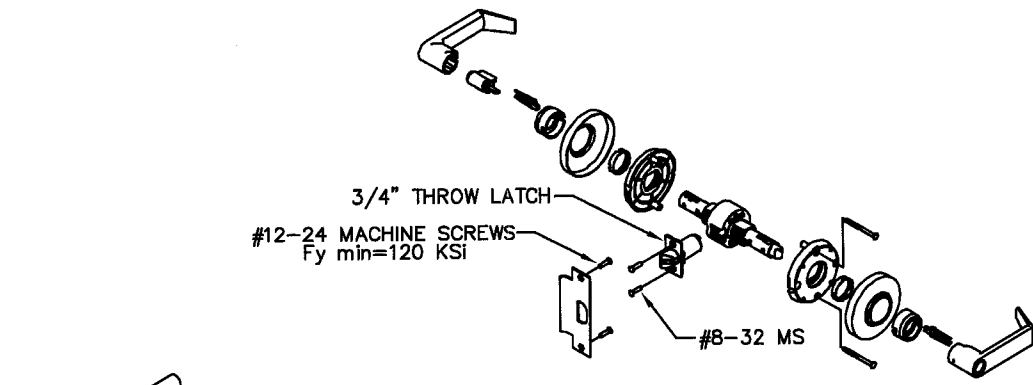
PRODUCT RENEWED
as complying with the Florida
Building Code
Acceptance No 08-1216-01
Expiration Date FEB 19, 2014
By Shag L. Landa
Miami Dade Product Control
Division

NOTES:

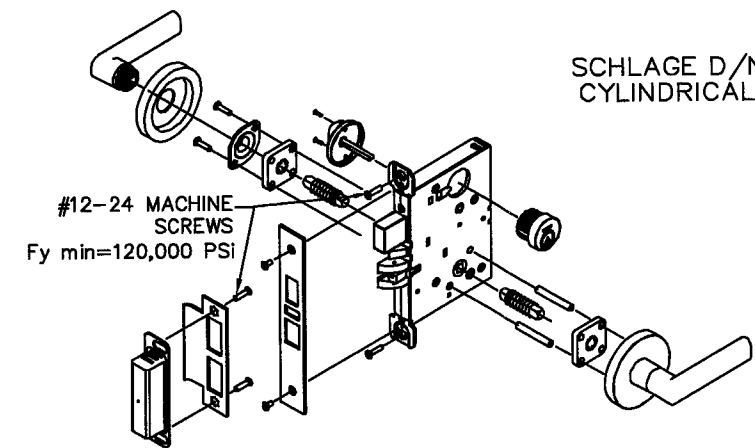
1. SEE SHT.1 FOR ELEVATION, MATERIAL AND SIZE
2. SEE SHT.5 & 6 FOR ANCHOR REQUIREMENTS
3. SEE SHT. 5 FOR GIRT/STUD WALL CONSTRUCTION AND ANCHORING SYSTEM
4. SEE SHT. 4 & 5 FOR AVAILABLE SIZES, JAMB DEPTHS AND SPECIFICATIONS
5. APPROVED HARDWARE INSTALLATION IS PER MANUFACTURER'S INSTRUCTIONS
6. WALL CONSTRUCTION STRUCTURAL MEMBERS MUST BE DESIGNED TO COMPLY WITH APPROVED DESIGN PRESSURE RATING



MONARCH 18-M MORTISE



SCHLAGE D/ND-SERIES
CYLINDRICAL LOCKSET



SCHLAGE L9400 SERIES
MORTISE LOCKSET W/ DEADBOLT

BEND RADIUS				IR INGERSOLL-RAND COMPANY STEELCRAFT MFG. 9017 BlueAsh Rd. Cincinnati Ohio 45242	
THIRD ANGLE PROJECTION					
DRAWN NF	DATE 03.11.03	TITLE DADE COUNTY CROSS SECTION OF EXPIDOR SERIES UNIT IR COMMERCIAL LOCK HARDWARE 3070 SINGLE DOORS			
CHECKED		SIZE FLAT	DWG NO. 1035W-1 SHEET	3 OF 6	REV B
APPROVED		SCALE: NTS AUTOCAD			
ENG. APPVL.					

REVISIONS

LTR	DESCRIPTION	DATE	APPROVED
A	APPROVAL DWG	03.11.03	
B	REVISED PER DC BCCO YMF	01/29/04	

TABLE 1. AVAILABLE DOOR CONFIGURATIONS (SEE NOTE 1.)

DOOR SERIES	CORE MATERIAL PER SHT.7	MAXIMUM OPENING SIZE		SKIN MATERIAL	
		WIDTH	HEIGHT	DESCR.	GA./MIN. THK
L	POLYSTYRENE	3'0"	7'0"	CRS GALV	18/.044" 16/.053" 14/.067"

TABLE 3.

CRS ASTM A1008
HRS ASTM A1011
GALV: A60 ASTM A924

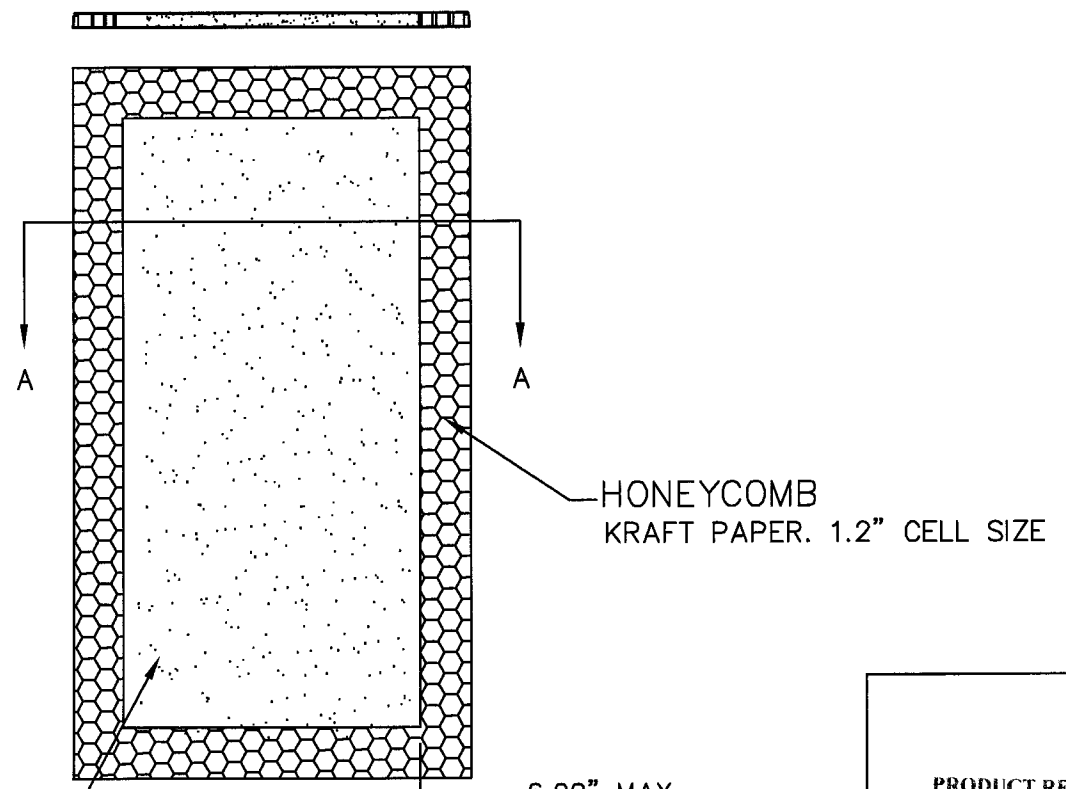
Fy MIN. = 43,700 PSI

TABLE 2. AVAILABLE FRAME CONFIGURATIONS (SEE NOTE 2.)

FRAME SERIES	JAMB DEPTH	MAXIMUM OPENING SIZE		MATERIAL	
		WIDTH	HEIGHT	DESCR.	GA./MIN. THK
PU	5.75" MIN.	3'0"	7'0"	CRS/HRS GALV	16/.053" 14/.067"

Handwritten:
APV
12/31/08
46718

SECTION A-A



HONEYCOMB KRAFT PAPER. 1.2" CELL SIZE

6.00" MAX. TYP.

POLYSTYRENE
EXPANDED POLYSTYRENE FOAM
GRADES 54 AND 86
(HUNTSMAN CHEMICAL CO.)
DENSITY: 1.0 LB/CUFT

NOTES:

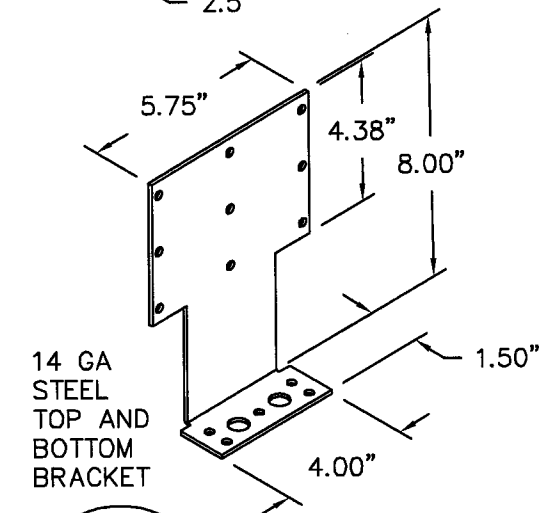
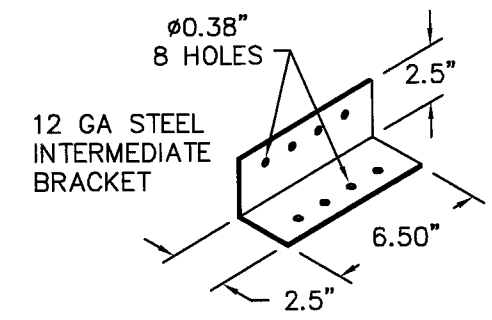
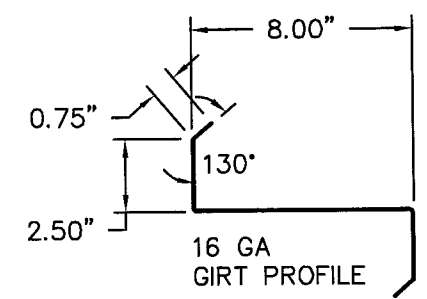
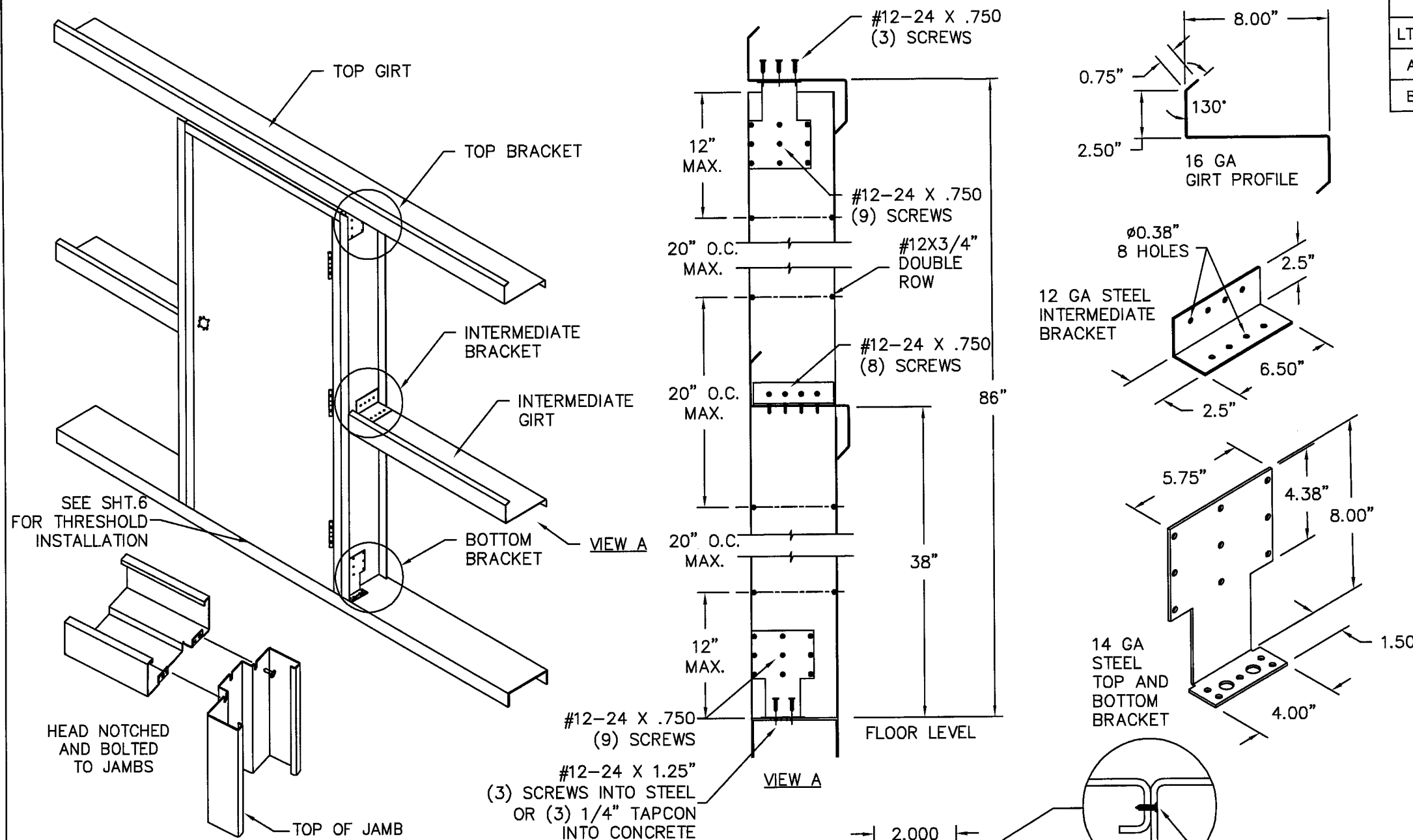
- DOOR CONSTRUCTION
 - MINIMUM DOOR THICKNESS - 1 3/4"
 - ALL DOORS ARE FLUSH - NO LITES OR LOUVERS AVAILABLE
- FRAME CONSTRUCTION
 - MINIMUM JAMB DEPTH - 5 3/4", STOP HEIGHT - 5/8"
- FOR MATERIAL SPECIFICATIONS REFERENCE SEE TABLE 3.
- CORE MATERIAL SHOWN WITHOUT HARDWARE REINFORCEMENTS

PRODUCT RENEWED
as complying with the Florida
Building Code
Acceptance No. 08-1216-01
Expiration Date FEB 15, 2014
By: *Isaac J. Chaudhry*
Miami Dade Product Control
Division

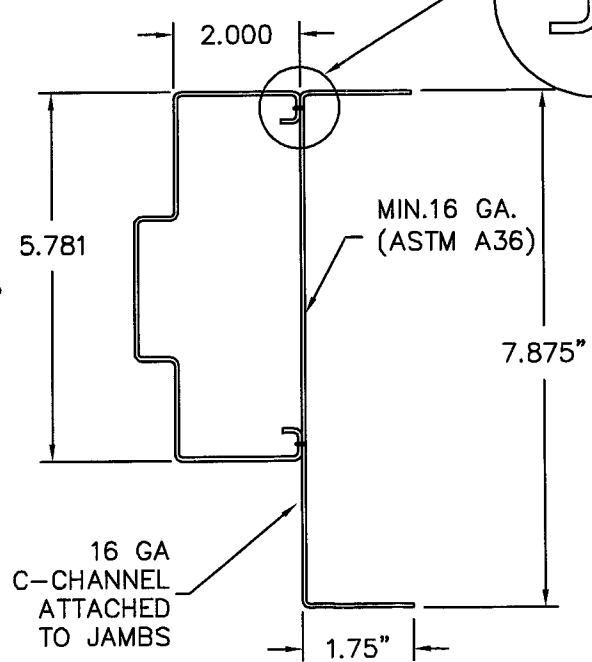
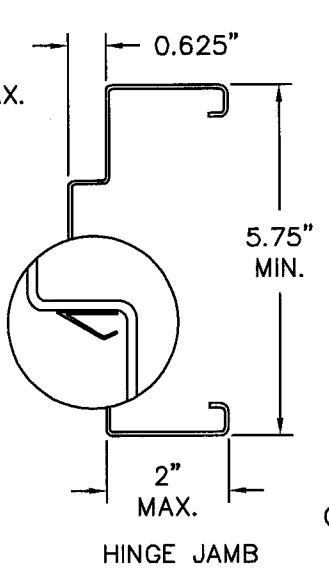
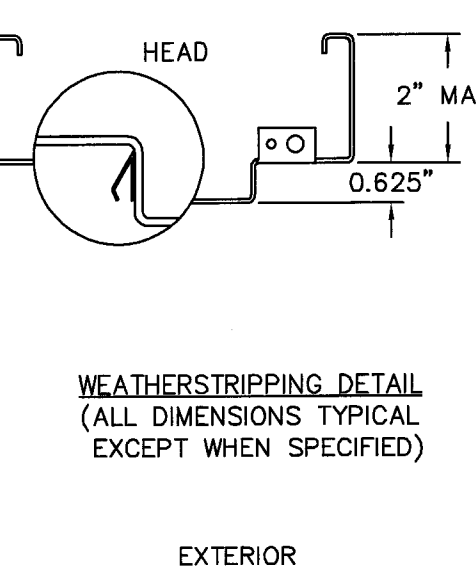
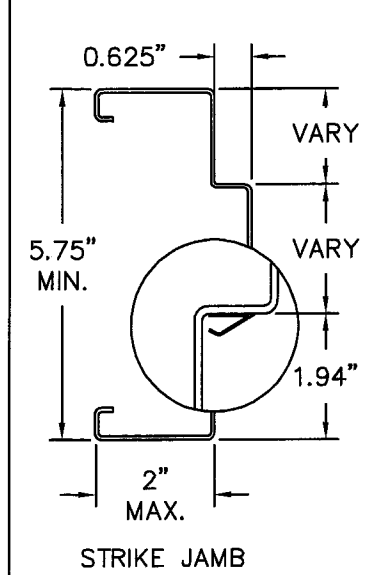
BEND RADIUS				INGERSOLL-RAND COMPANY STEELCRAFT MFG. 9017 BlueAsh Rd. Cincinnati Ohio 45242	
THIRD ANGLE PROJECTION					
DRAWN NF	DATE 5/01/02	TITLE		DADE COUNTY	
CHECKED		DOOR AND FRAME CONFIGURATIONS AND MATERIAL SPECS. EXPIDOR UNIT			
APPROVED		SIZE	FLAT	DWG NO.	REV
ENG. APPVL				1035W-1	B
SCALE: NTS		AUTOCAD		SHT 4 OF 6	

REVISIONS

LTR	DESCRIPTION	DATE	APPROVED
A	RELEASE TO SHOP		
B	REVISED PER DC BCCO YMF	01/29/04	



Handwritten:
 12/31/08
 FL 46718



PRODUCT COMPLIES
 as complying with the Florida
 Guiding Code
 Acceptance No. *08-1216-01*
 Expiration Date *FEB 19, 2014*
 By *Shag L. Chandle*
 Miami Dade Product Control
 Division

BEND RADIUS	
THIRD ANGLE PROJECTION	
DRAWN NF	DATE 03.11.03
CHECKED	
APPROVED	
ENG. APPVL	

INGERSOLL-RAND COMPANY
 STEELCRAFT MFG.
 9017 BlueAsh Rd. Cincinnati Ohio 45242

TITLE: DADE COUNTY
 EXPIDOR SERIES UNIT ASSEMBLY, CORNER DETAILS
 AND WEATHERSTRIPPING ATTACHMENT

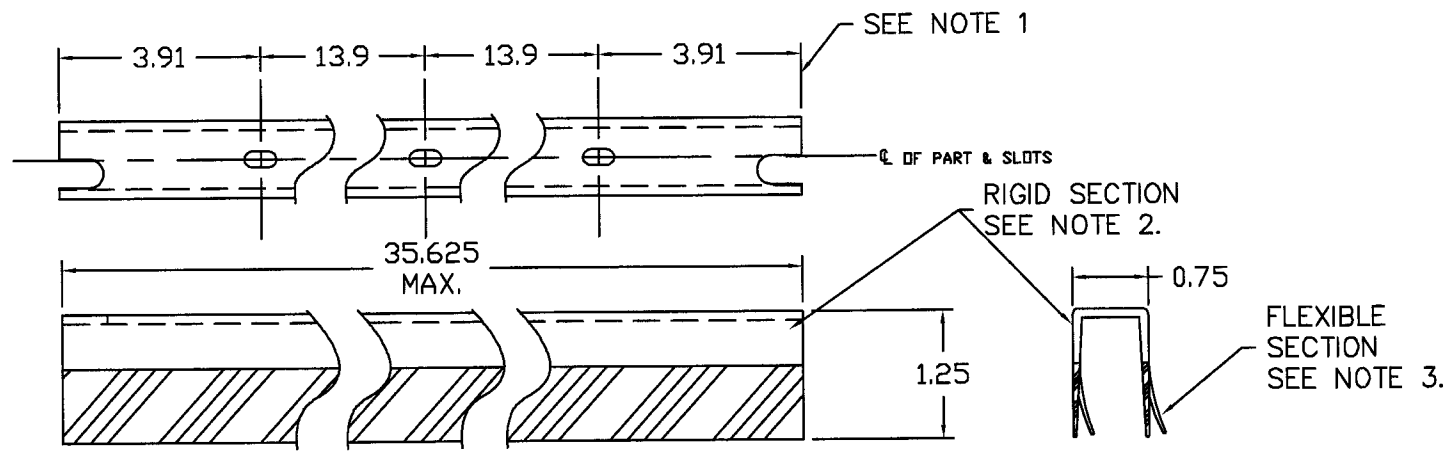
SCALE: NTS AUTOCAD

DWG NO. 1035W-1 SHEET 5 OF 6
 REV B

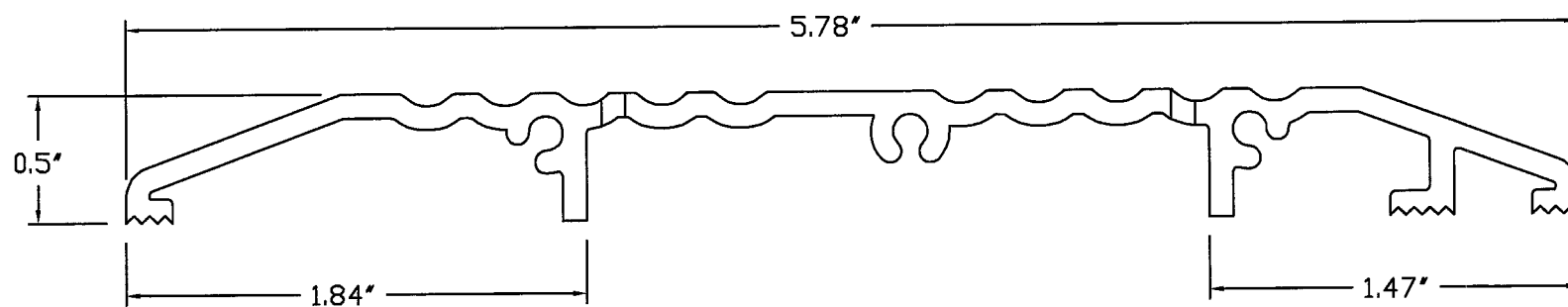
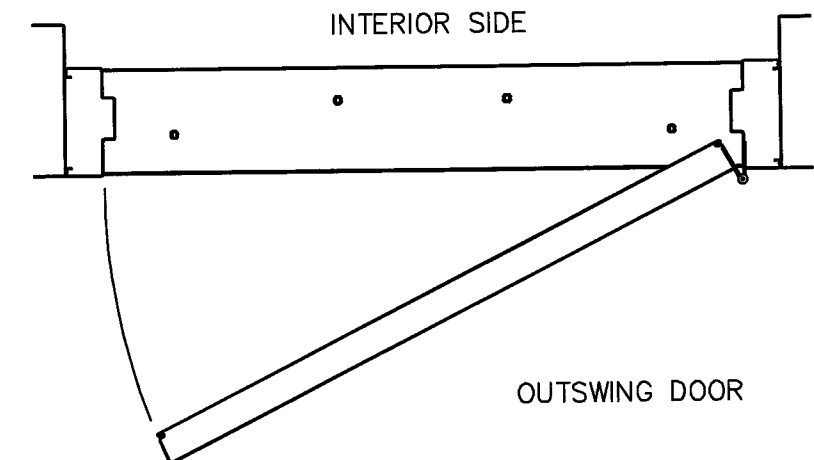
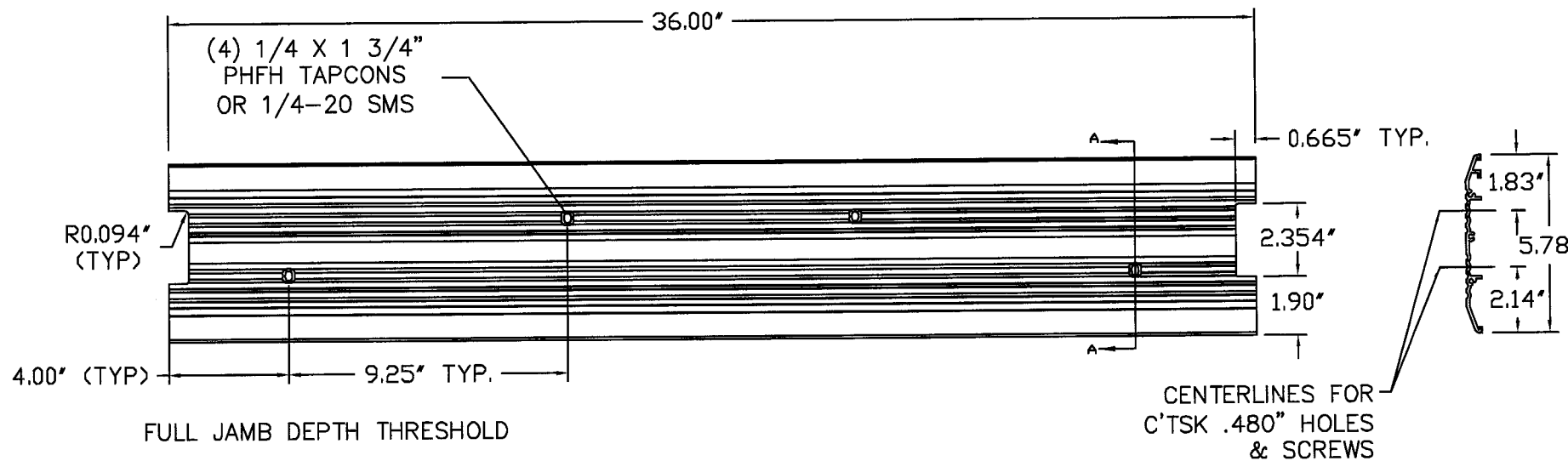
REVISIONS

LTR	DESCRIPTION	DATE	APPROVED
A	APPROVAL DWG	02/26/03	
B	REVISED PER DC BCCO YMF	01/29/04	

App'l
12/31/08
FL46718



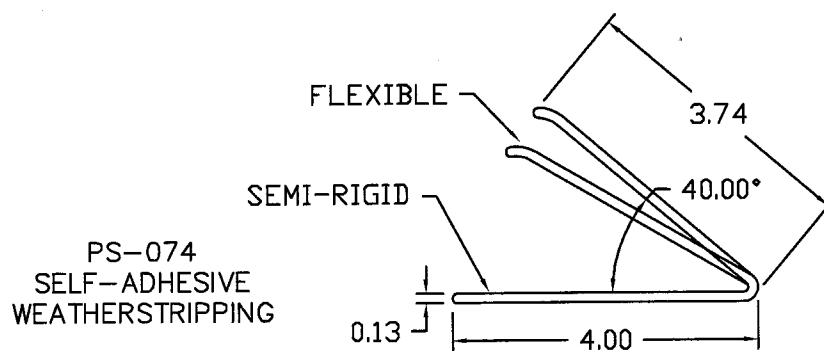
FAS-SEAL DOOR SWEEP



DETAIL A THRESHOLD PROFILE

NOTES:

1. SLOT LOCATIONS MAY VARY WITH DIFFERENT DOOR WIDTH.
2. DOOR SWEEP RIGID SECTION IS MADE OF PRO-FAX #PD-199 POLYPROPYLENE HOMOPOLYMER
3. DOOR SWEEP FLEXIBLE SECTION IS MADE OF SANTOPRENE #101-73 73 DUROMETER - SHORE A SCALE



PRODUCT RENEWED as complying with the Florida Building Code
 Acceptance No. *08-1216-01*
 Expiration Date *FEB 19, 2014*
 By *Glenn L. Chandler*
 Miami Dade Product Control Division

BEND RADIUS				INGERSOLL-RAND COMPANY STEELCRAFT MFG. 9017 BlueAsh Rd. Cincinnati Ohio 45242			
THIRD ANGLE PROJECTION							
DRAWN	NF	DATE	02/05/02	TITLE		DADE COUNTY DOOR ACCESSORIES BOTTOM SWEEP THRESHOLD AND WEATHERSTRIPPING	
CHECKED		APPROVED		SIZE	FLAT	DWG NO.	1035W-1
ENG. APPVL		SCALE	NTS	AUTOCAD		REV	B
						SHT 6 OF 6	