

**EVALUATION REPORT OF
METAL SALES MANUFACTURING CORPORATION
'24 GA. MAGNA-LOC PANEL'**

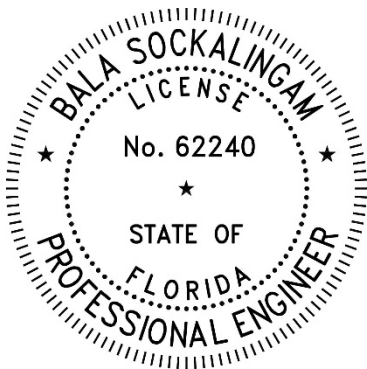
**FLORIDA BUILDING CODE 8TH EDITION (2023)
FLORIDA PRODUCT APPROVAL
FL 11560.6-R5
ROOFING
METAL ROOFING**

**Prepared For:
Metal Sales Manufacturing Corporation
7800 Highway 60
Sellersburg, IN 47172
Telephone: (502) 855-4300
Fax: (502) 855-4200**

**Prepared By:
Bala Sockalingam, Ph.D., P.E.
Florida Professional Engineer #62240
1216 N Lansing Ave., Suite C
Tulsa, OK 74106
Telephone: (918) 492-5992**

**This report consists of
Evaluation Report (2 Pages including cover)
Installation Details (2 Pages)**

**Report No. C2672-6
Date: 8.3.2023**



This item has been digitally signed and sealed by Bala Sockalingam, PE, on the date indicated.

Printed copies of this document are not considered signed and sealed and this signature must be verified on any electronic copies.

Manufacturer: Metal Sales Manufacturing Corporation

Product Name: Magna-Loc

Panel Description: Standing seam panel with 16" wide coverage and 2" high ribs

Materials: Min. 24 ga., 50 ksi steel. Galvanized coated steel (ASTM A653) or Galvalume coated steel (ASTM A792) or painted steel (ASTM A755). Corrosion resistant as per FBC 2023 Section 1507.4.3.

Deck Description: Min. 22 ga., Grade 80 B-deck. The deck and its attachment to supports must be designed by other to carry the panel loads. Designed as per FBC 2023.

Insulation (Optional): 4" thick (max.) rigid board insulation

Slope: 1/4:12 or greater in accordance with FBC 2023 Section 1507.4.2

Design Uplift Pressure: 59.7 psf at MC 1203 clip spacing of 36" o.c.
168.5 psf at MPW-1203-8 clip spacing of 12" o.c.

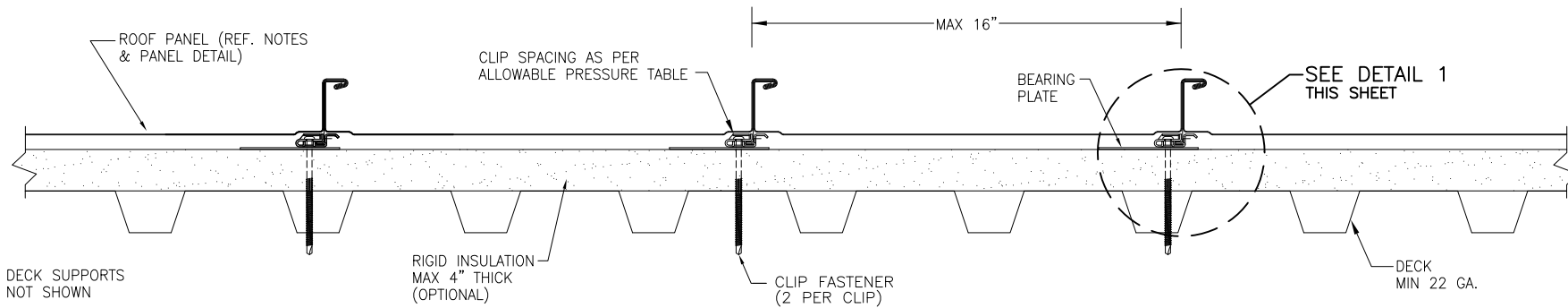
Panel Attachment: MC 1203 clip with (2) #14-13 deck screws per clip through 4" x 5" x 20 ga. bearing plate and rigid insulation into deck.
MPW-1203-8 clip with (4) #14-13 deck screws per clip through 4" x 5" x 20 ga. bearing plate and rigid insulation into deck.
Fastener shall be of sufficient length to penetrate through the deck a minimum of 1/2". Clips and fasteners are corrosion resistant as per FBC 2023 Section 1506.7 and 1507.4.4, respectively.

Test Standards: Roof assembly tested in accordance with TAS 125-03 'Standard Requirements for Metal Roofing Systems'.

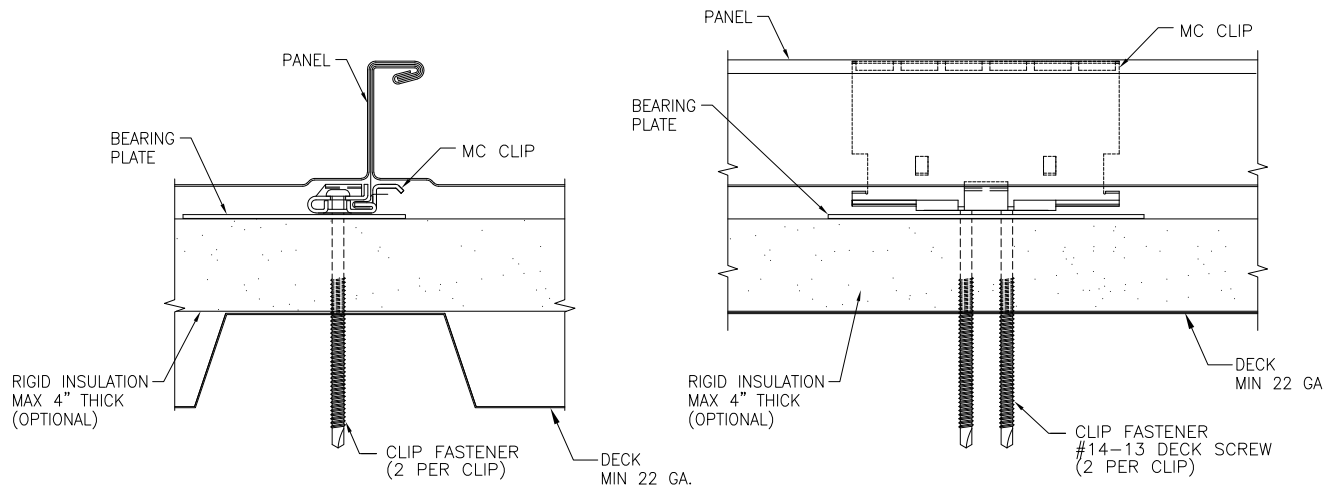
Code Compliance: The product described herein has demonstrated compliance with FBC 2023 Section 1507.4.

Product Limitations: Design wind loads shall be determined for each project in accordance with FBC 2023 Section 1609 or ASCE 7-22 using allowable stress design. The maximum fastener spacing listed herein shall not be exceeded. This evaluation report is not applicable in High Velocity Hurricane Zone. Fire classification is not within the scope of this Evaluation Report. Refer to FBC 2023 Section 1505 and current approved roofing materials directory or ASTM E108/UL790 report from an accredited laboratory for fire ratings of this product.

Supporting Documents: TAS 125 Test Report
Farabaugh Engineering and Testing Inc.
Project No. T293-14, Reporting Date 9/5/2014



TYPICAL PANEL INSTALLATION X-SECTION



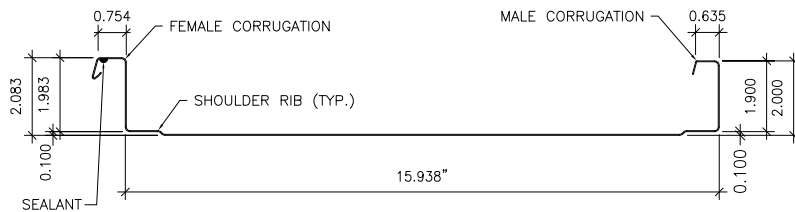
CLIP SECTION VIEW

CLIP SIDE VIEW

DETAIL 1

ALLOWABLE UPLIFT PRESSURE

CLIP TYPE	CLIP SPACING	PRESSURE (PSF)
MC 1203	36"	59.7

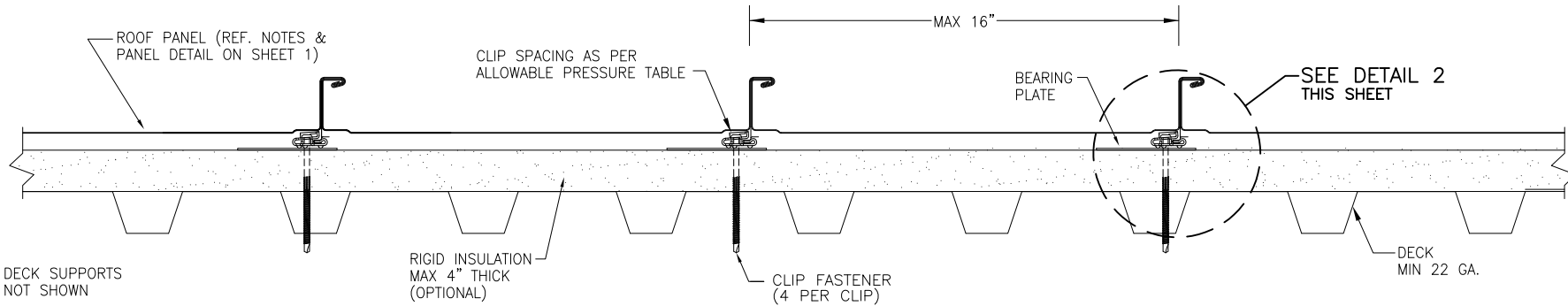


PANEL SECTION
(MIN 24 GA.)

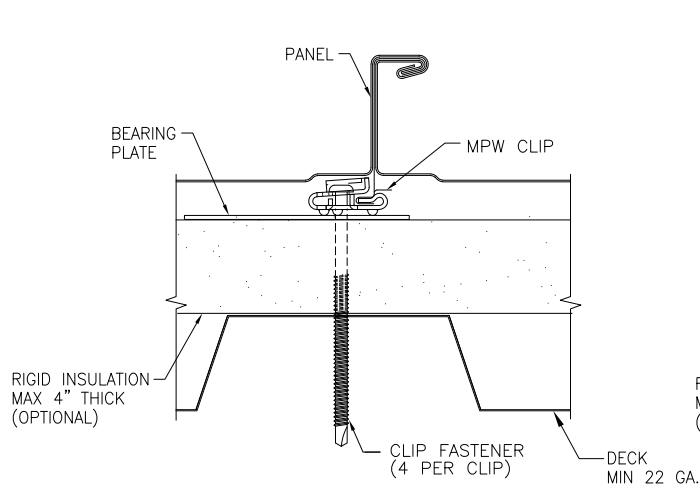
GENERAL NOTES:

1. ARCHITECTURAL STANDING SEAM ROOF PANEL HAS BEEN DESIGNED IN ACCORDANCE WITH THE FLORIDA BUILDING CODE (FBC).
2. ROOF PANELS SHALL BE MIN. 24 GA. (t = 0.022"). MAX. EFFECTIVE COVERING WIDTH OF PANEL = 16".
3. THE ROOF PANELS SHALL BE INSTALLED OVER STRUCTURE AS SPECIFIED ON THIS DRAWING.
4. REQUIRED DESIGN WIND LOADS SHALL BE DETERMINED FOR EACH PROJECT. THIS PANEL SYSTEM MAY NOT BE INSTALLED WHEN THE REQUIRED DESIGN WIND LOADS ARE GREATER THAN THE ALLOWABLE WIND LOADS SPECIFIED ON THIS DRAWING.
5. CLIPS AND FASTENERS MUST BE IN ACCORDANCE WITH THIS DRAWING & FLORIDA BUILDING CODE. IF A DIFFERENCE OCCURS BETWEEN THE MINIMUM REQUIREMENTS OF THIS DRAWING & THE CODE, THE CODE SHALL CONTROL.
6. DECK AND SUPPORTS MUST BE DESIGNED TO WITHSTAND WIND LOADS AS REQUIRED FOR EACH APPLICATION AND ARE THE RESPONSIBILITY OF OTHERS.

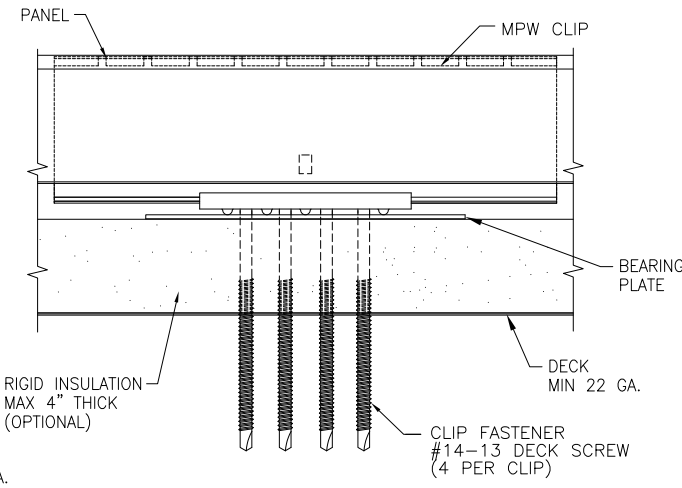
DRAWN BY: B.S.	CHECKED BY: D.S.	PLOT: DATE: 7/18/2023	
NO.	REVISION DESCRIPTION	DATE	BY
DRAWING TITLE: 24 GA. MAGNA-LOC STANDING SEAM PANEL			
CONSULTANTS: BALA SOCKALINGAM, PH.D., P.E.		MANUFACTURER: METAL SALES MANUFACTURING CORP.	
1216 N LANSING AVE, SUITE C TULSA, OK 74106 PHONE: 918-492-5992 FAX: 866-366-1543		7800 HIGHWAY 60 SELLERSBURG, IN 47172 502-855-4300	
DRAWING NO. 2672-6	REV. 	PAGE NO. 1 OF 2	



TYPICAL PANEL INSTALLATION X-SECTION



CLIP SECTION VIEW



CLIP SIDE VIEW

DETAIL 2

ALLOWABLE UPLIFT PRESSURE

CLIP TYPE	CLIP SPACING	PRESSURE (PSF)
MPW-1203-8	12"	168.5

DRAWN BY:	B.S.	CHECKED BY:	D.S.		
PLOT:		DATE:	7/18/2023		
NO.		REVISION DESCRIPTION			
BY					
DATE					
<p>DRAWING TITLE: 24 GA. MAGNA-LOC STANDING SEAM PANEL</p> <p>CONSULTANTS: BALA SOCKALINGAM, PH.D., P.E. 1216 N LANSING AVE, SUITE C TULSA, OK 74106 PHONE: 918-492-5992 FAX: 866-366-1543</p> <p>MANUFACTURER: METAL SALES MANUFACTURING CORP. 7800 HIGHWAY 60 SELLSBURG, IN 47172 502-855-4300</p>					
DRAWING NO.	2672-6		REV.		
PAGE NO.	2		OF	2	