

GENERAL NOTES:

1. GPP FABRIC SHUTTER - SERIES 2000 SHOWN ON THIS PRODUCT EVALUATION DOCUMENT (P.E.D.) HAS BEEN VERIFIED FOR COMPLIANCE IN ACCORDANCE WITH THE 2010 EDITION OF THE FLORIDA BUILDING CODE. THIS PRODUCT SHALL NOT BE INSTALLED AT HIGH VELOCITY HURRICANE ZONES (MIAMI-DADE / BROWARD COUNTIES).
 DESIGN WIND LOADS SHALL BE DETERMINED AS PER SECTION 1609 OF THE ABOVE MENTIONED CODE, FOR A WIND SPEED AS REQUIRED BY THE JURISDICTION WHERE THESE SHUTTERS WILL BE INSTALLED AND FOR A DIRECTIONALITY FACTOR $K_d=0.85$. USING ASCE 7-10 FOR INSTALLATIONS UNDER 2010 FBC AND SHALL NOT EXCEED THE MAXIMUM (A.S.D.) DESIGN PRESSURE RATINGS INDICATED ON NOTES 1 & 4.
 IN ORDER TO VERIFY THE ABOVE CONDITION, ULTIMATE DESIGN WIND LOADS DETERMINED PER ASCE 7-10 SHALL BE FIRST REDUCED TO A.S.D. DESIGN WIND LOADS BY MULTIPLYING THEM BY 0.6 IN ORDER TO COMPARE THESE W/ MAX. (A.S.D.) DESIGN PRESSURE RATINGS INDICATED ON NOTES 1 & 4.
 IN ORDER TO VERIFY THAT COMPONENTS AND ANCHORS ON THIS P.E.D. AS TESTED WERE NOT OVER STRESSED, A 33% INCREASE IN ALLOWABLE STRESS FOR WIND LOADS WAS NOT USED IN THEIR ANALYSIS.

MAXIMUM A.S.D. DESIGN PRESSURE RATING, MAXIMUM PANEL SPAN & MINIMUM SEPARATION TO GLASS SHALL BE AS INDICATED ON SCHEDULES #1 & #2 ON SHEET 13.

PRODUCT'S ADEQUACY FOR IMPACT AND WIND RESISTANCE HAS BEEN VERIFIED IN ACCORDANCE WITH SECTION 1609.1.2 OF THE ABOVE MENTIONED CODE AS PER AMERICAN TESTING LAB OF SOUTH FLORIDA. REPORT # 0904.01-09, AS PER ASTM E 1886-05, E 1996-05 AND E 330-02 STANDARDS, QUALIFYING INSTALLATIONS FOR WIND ZONES 1, 2, 3 & 4, MISSILE TYPE D, APPLICABLE TO BASIC PROTECTION FOR INSTALLATIONS AT NON ESSENTIAL FACILITIES AS DEFINED BY SECTIONS 6.2.1.1, 6.2.1.2 AND 8.3 OF ASTM E 1996-05.

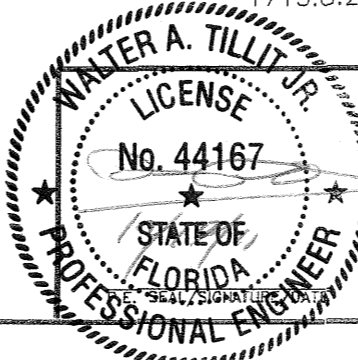
2. ALL COMPONENTS TO BE AS PER DETAILS AND BILL OF MATERIALS ON SHEETS 2 & 3.
3. FABRIC MADE FROM HIGH DENSITY POLYETHYLENE TAPES, COATED ON (2) SIDES WITH LOW DENSITY POLYETHYLENE AND LAMINATED TOGETHER WITH (3) LOW DENSITY POLYETHYLENE, MODEL X719N1N1, MANUFACTURED BY FABRENE INC., 240 DUPONT RD. P.O. BOX 4040 NORTH BAY, ON, CANADA P1B 8Z4.
 SHALL HAVE THE FOLLOWING PROPERTIES:

PROPERTIES	RESULT	TEST METHOD
(1) UNIT WEIGHT:	30.4 oz/yd ²	ASTM D3776
(2) WARP CONSTRUCTION:	16 TAPES/in WARP 27.9 TAPES/in WEFT	ASTM D3775
(3) TENSILE MAXIMUM STRENGTH:	14.8 psi (VERTICAL) 11.4 psi (HORIZONTAL)	ASTM D751
(4) COATING:	0.9 mil NATURAL	ASTM D1777 MOD
(5) SELF IGNITION TEMPERATURE: FLASH IGNITION TEMPERATURE:	380°C 390°C	ASTM D1929
(6) RATE OF BURN:	25mm/min, CLASS CC2	ASTM D635
(7) AVERAGE SMOKE DENSITY RATING:	2.2	ASTM D2843

4. MAXIMUM ANCHORS SPACING & ANCHOR SPECS SHALL BE AS PER SCHEDULES #3 & #3A ON SHEETS 2, 14 & 15.

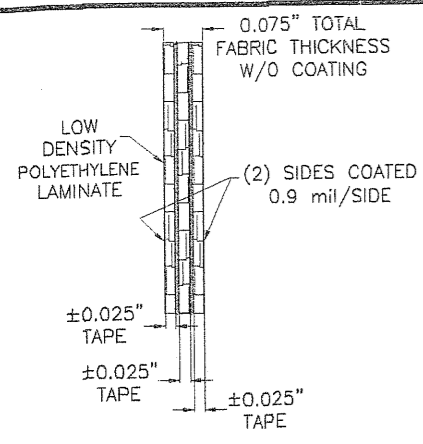
5. PRODUCT MAY ALSO BE INSTALLED HORIZONTALLY FOLLOWING INSTALLATION DETAILS SHOWN ON SECTIONS A, B, C, D, E, F & F' ON SHEETS 5 THRU 8.
6. THIS PRODUCT SHALL BE ONLY INSTALLED WHEN A HURRICANE WARNING IS ISSUED AND SHALL BE IMMEDIATELY REMOVED AFTER THOSE CONDITIONS ARE OVER. FABRIC SHALL BE STORED IN A PLACE NOT EXPOSED TO THE WEATHER AND SHALL BE PROPERLY MAINTAINED, PER MANUFACTURER'S RECOMMENDATIONS.
7. IT SHALL BE THE RESPONSIBILITY OF THE CONTRACTOR TO VERIFY THE SOUNDNESS OF THE STRUCTURE WHERE PRODUCT IS TO BE ATTACHED TO INSURE PROPER ANCHORAGE. THIS PRODUCT SHALL ONLY BE ATTACHED TO POURED CONCRETE, GROUT FILLED BLOCK, HOLLOW BLOCK, WOOD AND STEEL FRAME BUILDINGS WITH LIMITATIONS INDICATED ON THIS DRAWING.
8. THE INSTALLATION CONTRACTOR IS TO SEAL/CAULK ALL PRODUCT COMPONENT EDGES WHICH REMAIN IN CONTINUOUS CONTACT WITH THE BUILDING TO PREVENT WIND/RAIN INTRUSION. INSTALLATION AND DRIVING OF FASTENERS AND SLEEVES (AS APPLICABLE) INTO EXISTING STRUCTURE'S FINISH SHALL BE CAREFULLY PERFORMED IN SUCH A WAY THAT FINISH AROUND FASTENERS IS NOT DAMAGED. SIDEWALK BOLTS (SCREWS OR RODS) SHALL BE LEFT AT ALL CORRESPONDING ANCHOR'S LOCATION.
9. PRODUCT'S INSTALLATION SHALL COMPLY WITH SPECS INDICATED IN THIS DRAWING PLUS ANY BUILDING AND ZONING REGULATIONS PROVIDED BY THE JURISDICTION WHERE PERMIT IS APPLIED TO.
10. (a) THIS PRODUCT EVALUATION DOCUMENT (P.E.D.) PREPARED BY THIS ENGINEER GENERIC AND DOES NOT PROVIDE INFORMATION FOR A SITE SPECIFIC PROJECT; i.e. WHERE THE SITE CONDITIONS DEVIATE FROM THE P.E.D.
 (b) CONTRACTOR TO BE RESPONSIBLE FOR THE SELECTION, PURCHASE AND INSTALLATION INCLUDING LIFE SAFETY OF THIS PRODUCT BASED ON THIS P.E.D. PROVIDED HE/SHE DOES NOT DEVIATE FROM THE CONDITIONS DETAILED ON THIS DOCUMENT. CONSTRUCTION SAFETY AT SITE IS THE CONTRACTOR'S RESPONSIBILITY.
 (c) THIS P.E.D. WILL BE CONSIDERED INVALID IF ALTERED BY ANY MEANS.
 (d) SITE SPECIFIC PROJECTS SHALL BE PREPARED BY A FLORIDA REGISTERED ENGINEER OR ARCHITECT WHICH WILL BECOME THE ENGINEER OF RECORD (E.O.R.) FOR THE PROJECT AND WHO WILL BE RESPONSIBLE FOR THE PROPER USE OF THE P.E.D. ENGINEER OF RECORD, ACTING AS A DELEGATED ENGINEER TO THE P.E.D. ENGINEER, SHALL SUBMIT TO THIS LATTER THE SITE SPECIFIC DRAWINGS FOR REVIEW.
 (e) THIS P.E.D. SHALL BEAR THE DATE AND ORIGINAL SEAL AND SIGNATURE OF THE PROFESSIONAL ENGINEER OF RECORD THAT PREPARED IT.

11. PRODUCT MANUFACTURER'S LABEL SHALL BE LOCATED ON A READILY VISIBLE LOCATION AT PRODUCT IN ACCORDANCE WITH SECTION 1715.8.3 OF FLORIDA BUILDING CODE. ONE LABEL SHALL BE PLACED FOR EVERY OPENING. LABELING TO COMPLY WITH SECTION 1715.8.2 OF THE FLORIDA BUILDING CODE.

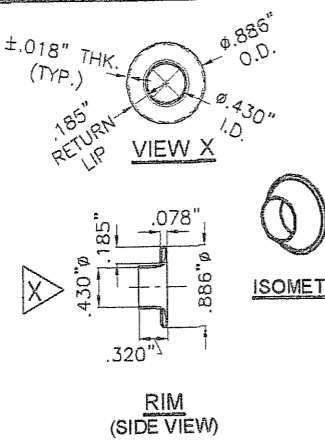


FLORIDA BUILDING CODE (Non High Velocity Hurricane Zone)

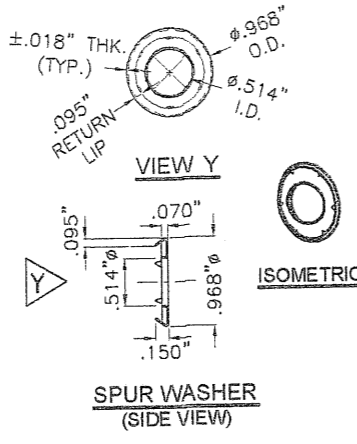
©2011 TILTECO INC. TILTECO INC. TILLIT TESTING & ENGINEERING COMPANY 6395 N.W. 36th St., Ste. 305 - VIRGINIA GARDENS, FL 33166 Phone : (305) 871-1530 , Fax : (305) 871-1531 e-mail: tilteco@aol.com EB-0006719 WALTER A. TILLIT Jr., P.E. FLORIDA Lic. # 44167	GPP FABRIC SHUTTER - SERIES 2000 GLOBAL PROTECTION PRODUCTS, LLC. 4800 S.W. 51 STREET DAVIE, FL. 33314 PHONE: (954)689-7545, FAX: (954)689-8797	L.G./A.G. DRAWN BY 12/01/11 DATE 11-212 DRAWING N° SHEET 1 OF 15																		
<table border="1" style="width: 100%; font-size: small;"> <thead> <tr> <th>REV N°</th> <th>DESCRIPTION</th> <th>DATE</th> <th>REV N°</th> <th>DESCRIPTION</th> <th>DATE</th> </tr> </thead> <tbody> <tr> <td>1</td> <td>OLD 09-158</td> <td>12/01/11</td> <td>3</td> <td></td> <td></td> </tr> <tr> <td>2</td> <td></td> <td></td> <td>4</td> <td></td> <td></td> </tr> </tbody> </table>	REV N°	DESCRIPTION	DATE	REV N°	DESCRIPTION	DATE	1	OLD 09-158	12/01/11	3			2			4				
REV N°	DESCRIPTION	DATE	REV N°	DESCRIPTION	DATE															
1	OLD 09-158	12/01/11	3																	
2			4																	



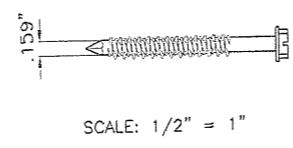
A COATED POLYETHYLENE FABRIC:
(SEE SHEET 2 FOR END DETAILS WITH HEMMED EDGES)
N.T.S.



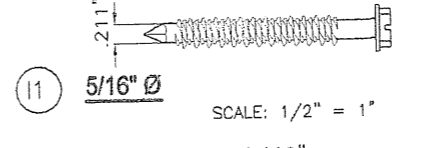
B ROLLED GROMMET
SCALE: 1/2" = 1"



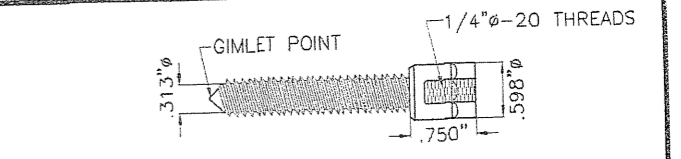
I 1/4\"/>



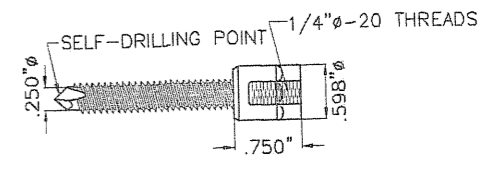
J 1/4\"/>



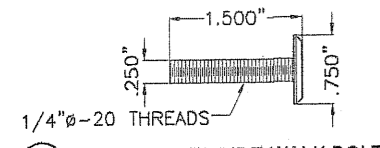
M 5/16\"/>



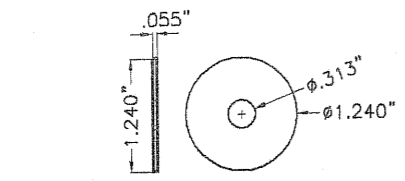
M 5/16\"/>



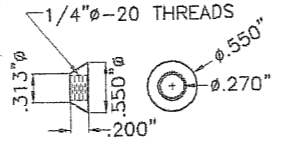
M1 1/4\"/>



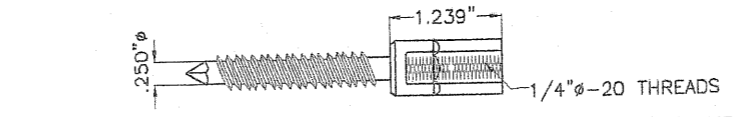
C 1/4\"/>



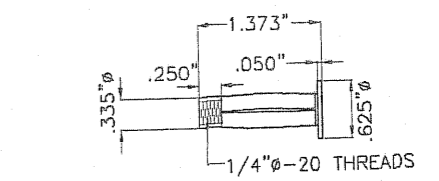
D FENDER WASHER
(AISI 304 SERIES STAINLESS STEEL)
SCALE: 1/2" = 1"



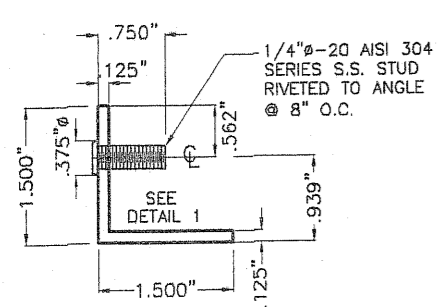
E SAFETY NUT
(AISI 304 SERIES STAINLESS STEEL)
SCALE: 1/2" = 1"



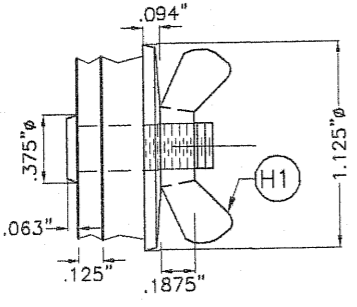
J1 1/4\"/>



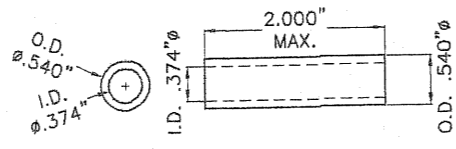
N 1/4\"/>



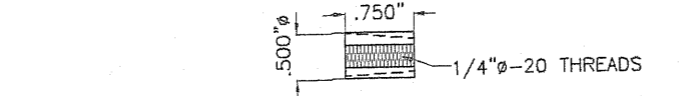
F ANGLE WITH STUD
(6063-T6 ALLOY)
SCALE: 1/2" = 1"



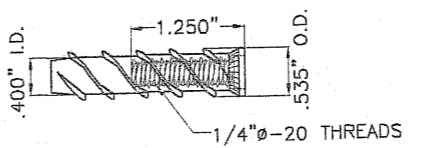
DETAIL 1:
STUD W/ WINGNUT (H1)
N.T.S.



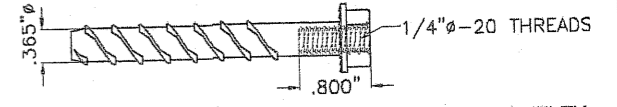
G ALUMINUM SLEEVE
(6063-T6 ALLOY)
SCALE: 1/2" = 1"



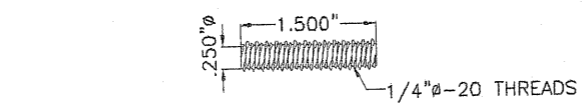
K 1/4\"/>



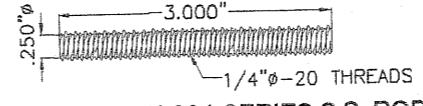
O 3/8\"/>



P 1/2\"/>

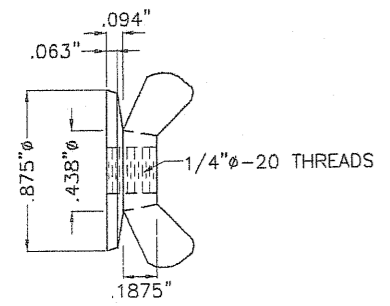


K1 1/2\"/>

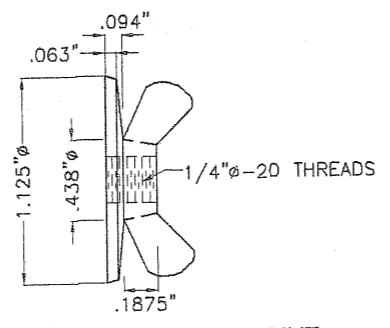


L 1/4\"/>

L1 1/4\"/>

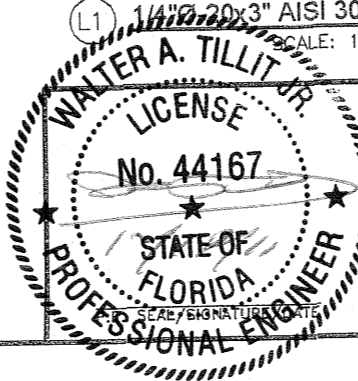


H 7/8\"/>



H1 1 1/8\"/>

COMPONENTS



© 2011 TILTECO INC.
TILTECO INC.
TILLIT TESTING & ENGINEERING COMPANY
6355 N.W. 36th St., Ste. 305 - VIRGINIA GARDENS, FL 33186
Phone: (305) 871-1530, Fax: (305) 871-1531
e-mail: tiltenco@aol.com
EB-0006719
WALTER A. TILLIT JR., P.E.
FLORIDA Lic. # 44167

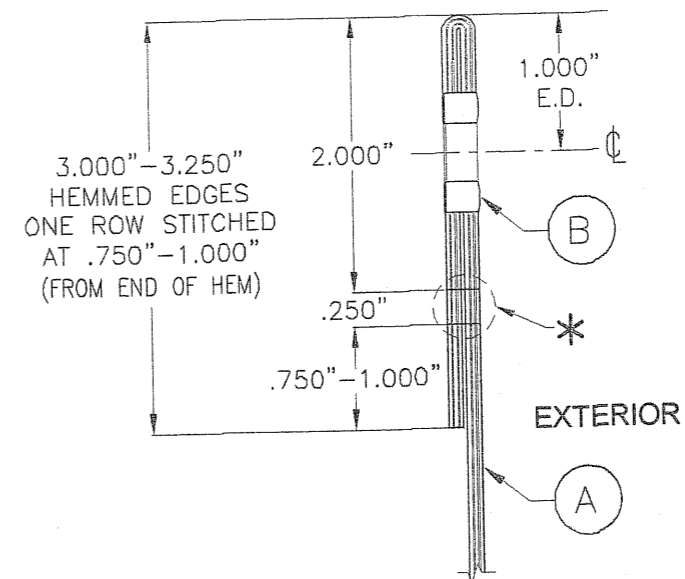
FLORIDA BUILDING CODE (Non High Velocity Hurricane Zone)

GPP FABRIC SHUTTER - SERIES 2000		L.G./A.G. DRAWN BY	
GLOBAL PROTECTION PRODUCTS, LLC.		12/01/11 DATE	
4800 S.W. 51 STREET DAVIE, FL. 33314 PHONE: (954)689-7545, FAX: (954)689-8797		11-212 DRAWING N°	
REV N°	DESCRIPTION	DATE	REV N°
1	OLD 09-156	12/01/11	3
2			4

SHEET 2 OF 15

BILL OF MATERIALS

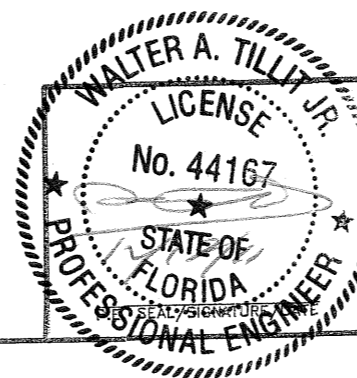
ITEM No.	DESCRIPTION
(A)	3-PLY FABRIC: MADE FROM HIGH DENSITY POLYETHYLENE TAPES, COATED ON (2) SIDES WITH LOW DENSITY POLYETHYLENE AND LAMINATED TOGETHER WITH (3) LOW DENSITY POLYETHYLENE, PER FABRENE INC. MODEL X719N1N1 W/ 3.00"-3.25" HEMMED EDGES AT TOP & BOTTOM ENDS, PER DETAIL X ON THIS SHEET. (A) IS ALWAYS ONE ENTIRE PIECE, EXCEPT WHERE OVERLAPS ARE ALLOWED.
(B)	ROLLED RIM GROMMET (RRG#2/45-00992) WITH SPUR WASHER (RRG#2/45-00882) HEAVY-DUTY BRASS W/ 1" E.D. IN RESPECT TO FABRIC
(C)	1/4"Ø-20x1 1/2" SIDE WALK BOLT (AISI 304 SERIES STAINLESS STEEL)
(D)	FENDER WASHER (AISI 304 SERIES STAINLESS STEEL)
(E)	SAFETY NUT W/ 1/4"Ø-20 THREADS (AISI 304 SERIES STAINLESS STEEL)
(F)	1 1/2"x1 1/2"x1/8" EXTRUDED 6063-T6 ALUMINUM ALLOY ANGLE W/ STUDS @ 8" o.c.
(G)	ALUMINUM SLEEVE (6063-T5 ALUMINUM ALLOY)
(H)	7/8"Øx3 3/132" WASHERED WINGNUT W/ 1/4"Ø-20 THREADS (ZAMAC NICKEL PLATED)
(H1)	1 1/8"Øx3 3/132" WASHERED WINGNUT W/ 1/4"Ø-20 THREADS (ZAMAC NICKEL PLATED)
(I)	1/4"Ø ELCO CONSTRUCTION PRODUCTS ULTRACON ANCHOR
(I1)	5/16"Ø ELCO CONSTRUCTION PRODUCTS ULTRACON ANCHOR
(I2)	5/16"Ø ELCO CONSTRUCTION PRODUCTS ULTRACON ANCHOR W/ 1" THREADED PENETRATION
(I3)	5/16"Ø ELCO CONSTRUCTION PRODUCTS ULTRACON ANCHOR W/ 2" THREADED PENETRATION
(J)	1/4"Ø ELCO CONSTRUCTION PRODUCTS PANELMATE® PRO W/ 1/4"Ø-20 THREADS
(J1)	1/4"Ø ELCO CONSTRUCTION PRODUCTS PANELMATE ® FEMALE ID W/ 1/4"Ø-20 THREADS
(K)	1/4"Øx3/4" ALL POINT SOLID-SET ANCHOR W/ 1/4"Ø-20 THREADS
(K1)	1/2"Ø ELCO CONSTRUCTION PRODUCTS PANELMATE ® L INSERT W/ 1/4"Ø-20 THREADS
(L)	1/4"Ø-20 x1 1/2" AISI 304 SERIES S.S. ROD W/ 1/4"Ø-20 THREADS
(L1)	1/4"Ø-20 x3" AISI 304 SERIES S.S. ROD W/ 1/4"Ø-20 THREADS
(M)	5/16"Ø ELCO CONSTRUCTION PRODUCTS HANGERMATE® W/ 1/4"Ø-20 THREADS (EZG365 ANCHOR, GIMLET POINT) CARBON STEEL (AISI CI0B21) CASE HARDENED AND TEMPERED
(M1)	1/4"Ø-10 ELCO CONSTRUCTION PRODUCTS HANGERMATE® W/ 1/4"Ø-20 THREADS (EZG910 ANCHOR, SELF-DRILLING POINT) CARBON STEEL (AISI CI0B21) CASE HARDENED AND TEMPERED
(N)	1/4"Ø ELCO CONSTRUCTION PRODUCTS FAB-LOK HD W/ 1/4"Ø-20 THREADS
(O)	3/8"Ø ELCO CONSTRUCTION PRODUCTS MODIFIED CONFLEX W/ 1/4"Ø-20 THREADS
(P)	1/2"Øx1 9/16" POWER ANCHOR W/ 3/8"Ø-20 THREADS
(Q)	3/8"Ø-20x1 1/2" SIDE WALK BOLT (AISI 304 SERIES STAINLESS STEEL)



TYPICAL HEMMED EDGE FABRIC DETAIL X

SCALE: 3/4" = 1"

* TWO ROWS STITCHING SHALL CONSIST OF SIX LOCK STITCHES PER INCH WITH 12/4 POLYESTER THREADS, TWISTED TOGETHER WITH 7% LUBRICATION & SILICONE PER ASTM D-6193.



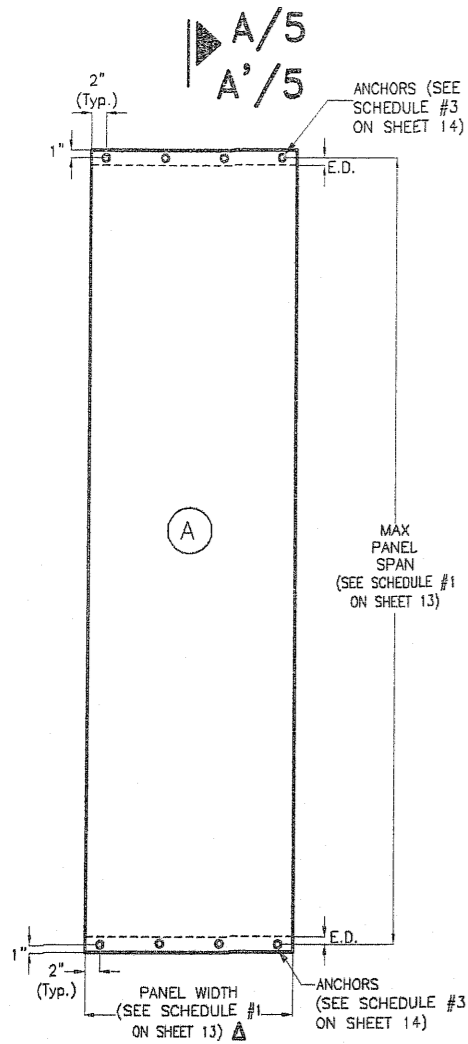
©2011 TILTECO INC.

TILTECO inc.

TILLIT TESTING & ENGINEERING COMPANY
 355 N.W. 36th St., Ste. 305 - VIRGINIA GARDENS, FL 33166
 Phone : (305) 871-1530 , Fax : (305) 871-1531
 e-mail: tilteco@aol.com
 EB-0006719
 WALTER A. TILLIT JR., P.E.
 FLORIDA Lic. # 44167

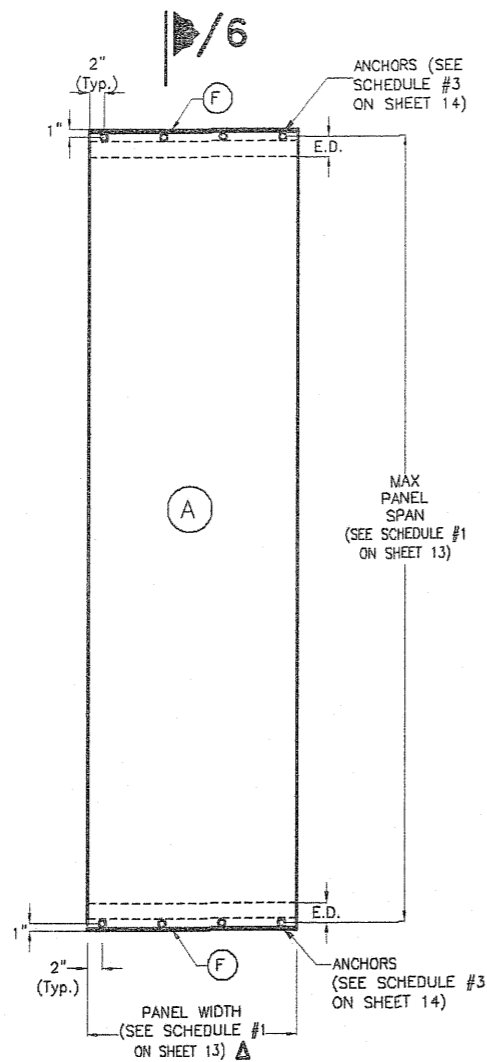
FLORIDA BUILDING CODE (Non High Velocity Hurricane Zone)

GPP FABRIC SHUTTER - SERIES 2000		L.G./A.G.
GLOBAL PROTECTION PRODUCTS, LLC.		DRAWN BY
4800 S.W. 51 STREET DAVIE, FL 33314 PHONE: (954)689-7545, FAX: (954)689-8797		12/01/11 DATE
		11-212 DRAWING N°
REV N°	DESCRIPTION	DATE
1	GLD 08-158	12/01/11
2		



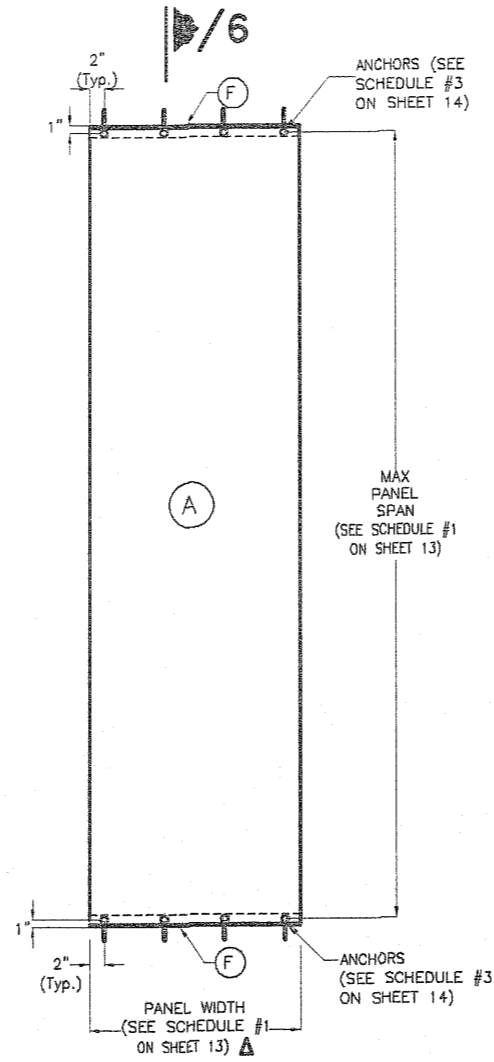
A/5
A'/5

ELEVATION FOR DIRECT WALL MOUNT
TO POURED CONCRETE,
GROUT FILLED BLOCK, HOLLOW BLOCK,
WOOD OR STEEL SUBSTRATE
AT TOP & BOTTOM



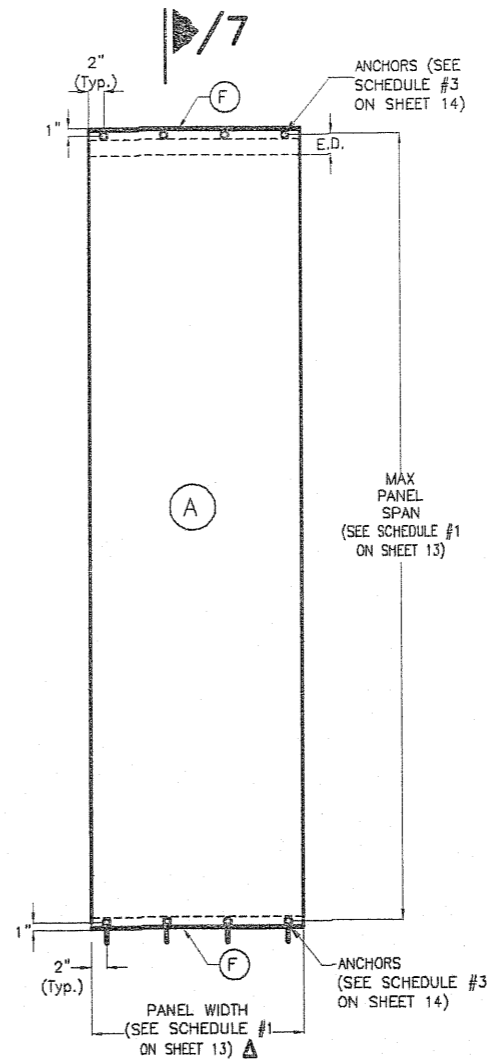
A/6
A'/6

ELEVATION FOR STUDDED ANGLE
WALL MOUNT TO POURED CONCRETE,
GROUT FILLED BLOCK, HOLLOW BLOCK OR
WOOD SUBSTRATE AT TOP & BOTTOM



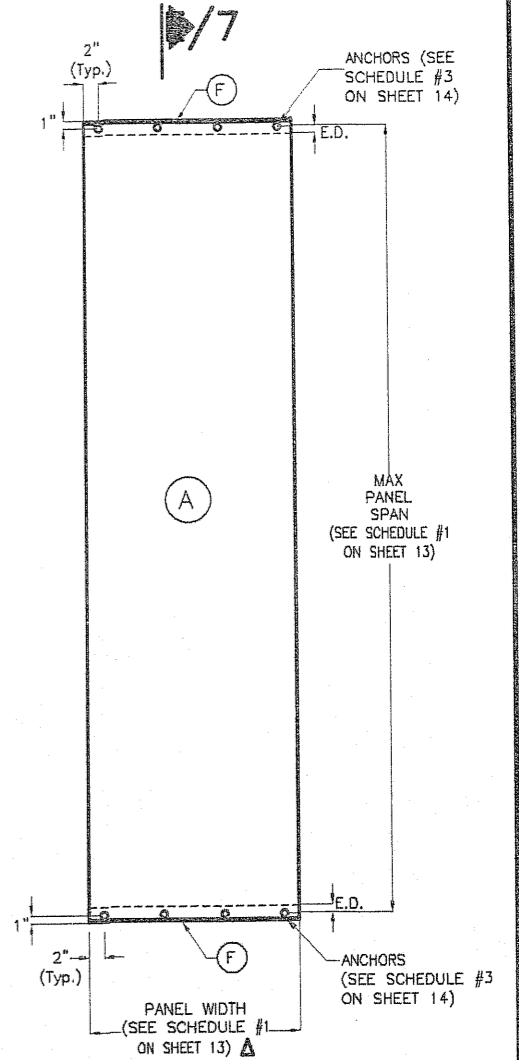
A/6
A'/6

ELEVATION FOR STUDDED ANGLE
FLOOR TO CEILING MOUNT
TO POURED CONCRETE, GROUT FILLED
BLOCK, HOLLOW BLOCK OR
WOOD SUBSTRATE AT TOP & BOTTOM



A/7
A'/7

ELEVATION FOR STUDDED ANGLE
WALL MOUNT TO POURED CONCRETE, GROUT
FILLED BLOCK, HOLLOW BLOCK OR WOOD
SUBSTRATE AT TOP & STUDDED ANGLE FLOOR
MOUNT TO POURED CONCRETE, GROUT FILLED
BLOCK, OR WOOD SUBSTRATE AT BOTTOM



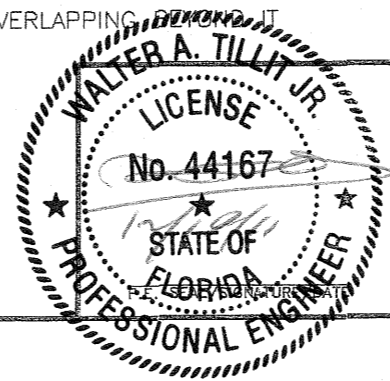
A/7
A'/7

ELEVATION FOR STUDDED ANGLE
WALL MOUNT
TO STEEL SUBSTRATE
AT TOP & BOTTOM

SINGLE PANEL ELEVATIONS

SCALE 1/2" = 1'-0"

△ FABRIC SHALL ENTIRELY COVER THE OPENING WIDTH
WITH NO NEED OF OVERLAPPING



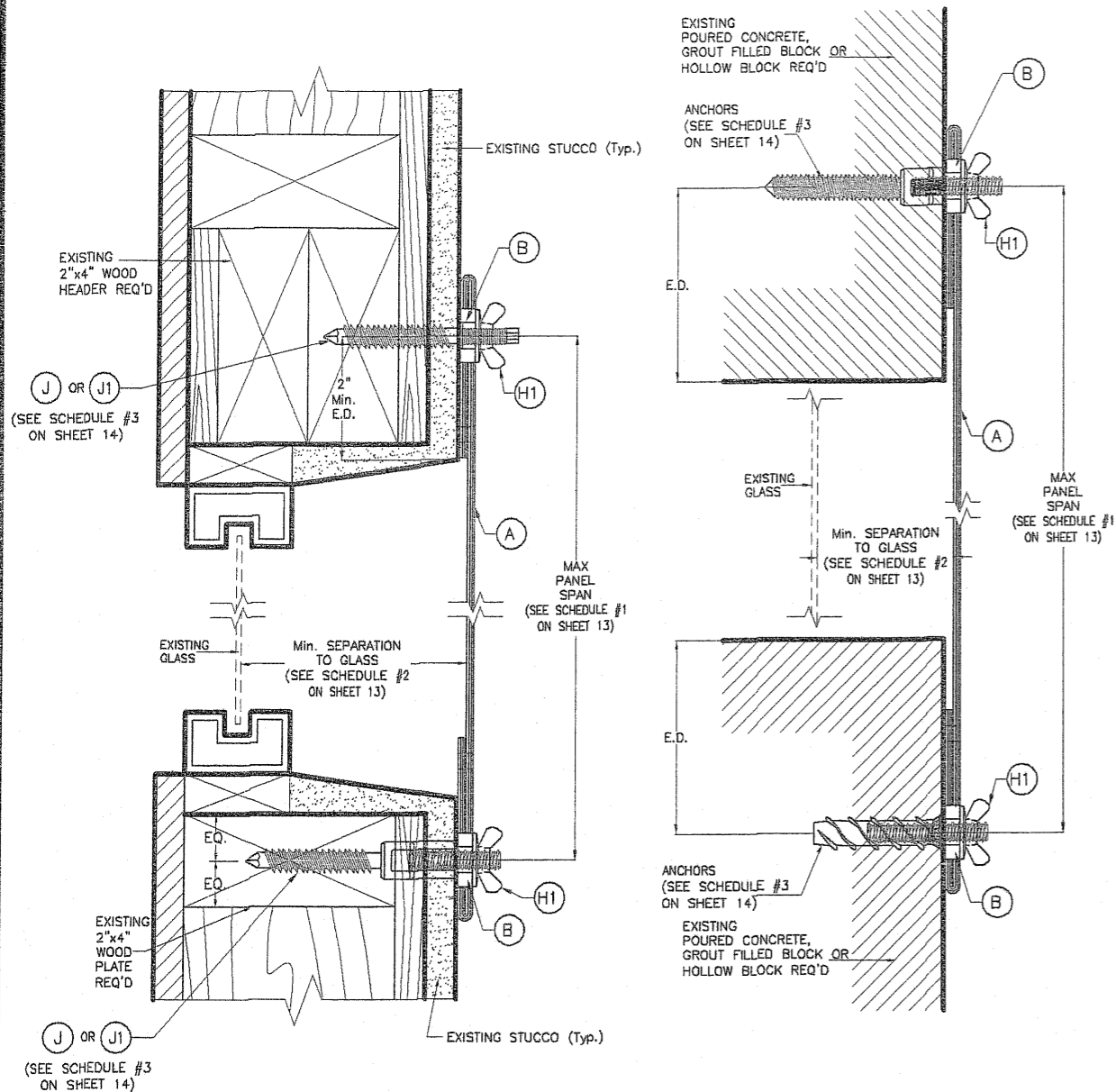
© 2011 TILTECO INC.

TILTECO inc.

TILLIT TESTING & ENGINEERING COMPANY
6355 N.W. 38th St., Ste. 305 - VIRGINIA GARDENS, FL 33166
Phone: (305) 871-1530, Fax: (305) 871-1531
e-mail: tilteco@aol.com
EB-0006719
WALTER A. TILLIT JR., P.E.
FLORIDA Lic. # 44167

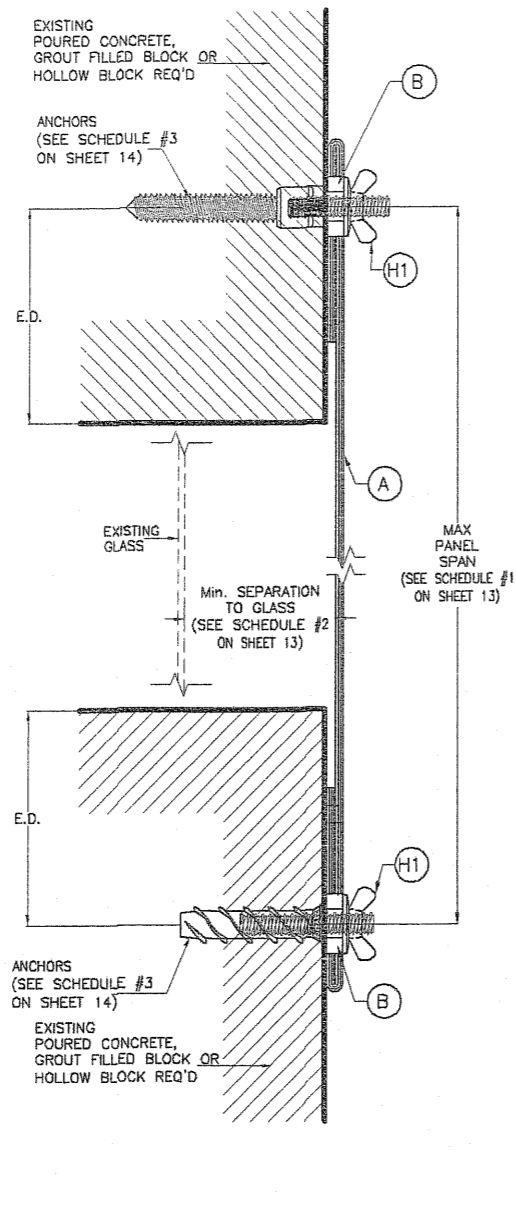
FLORIDA BUILDING CODE (Non High Velocity Hurricane Zone)

GPP FABRIC SHUTTER - SERIES 2000		L.G./A.G. DRAWN BY
GLOBAL PROTECTION PRODUCTS, LLC.		12/01/11 DATE
4800 S.W. 51 STREET DAVIE, FL 33314 PHONE: (954)689-7545, FAX: (954)689-8797		11-212 DRAWING N°
REV N°	DESCRIPTION	DATE
1	OLD 05-158	12/01/11
2		
3		
4		
SHEET 4 OF 15		

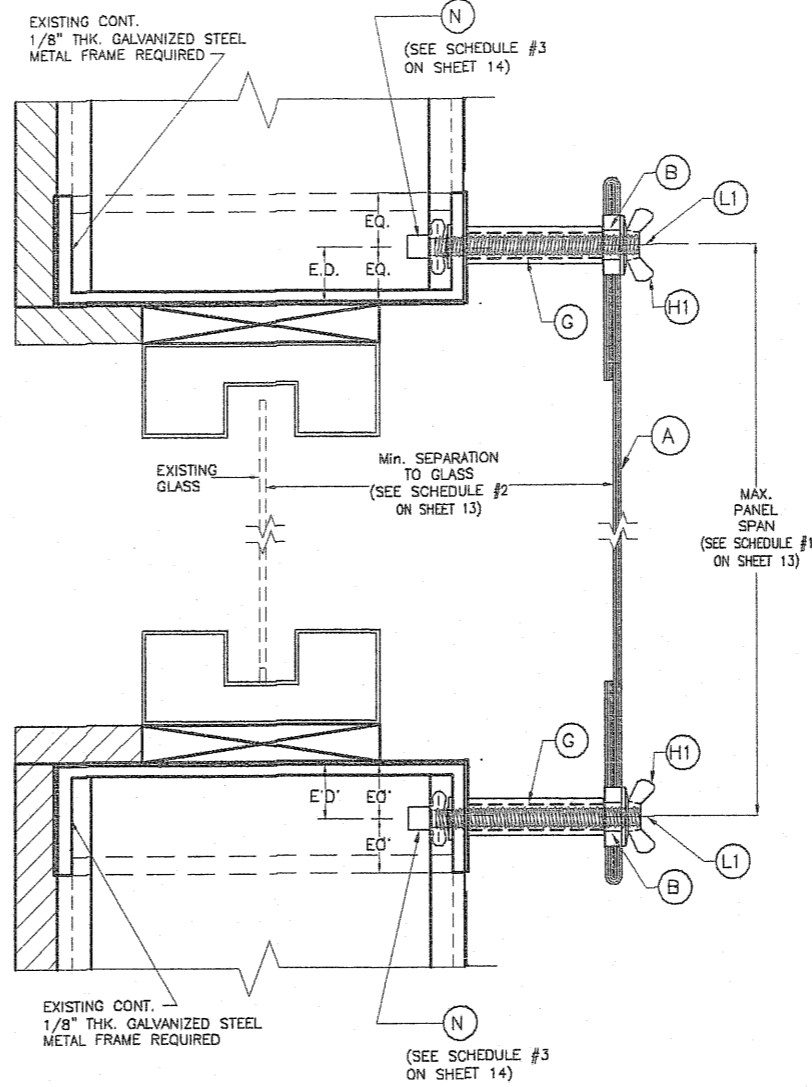


FOR DIRECT WALL MOUNT TO
WOOD SUBSTRATE
AT TOP & BOTTOM

SECTIONS A - A
SCALE 3/8"=1"

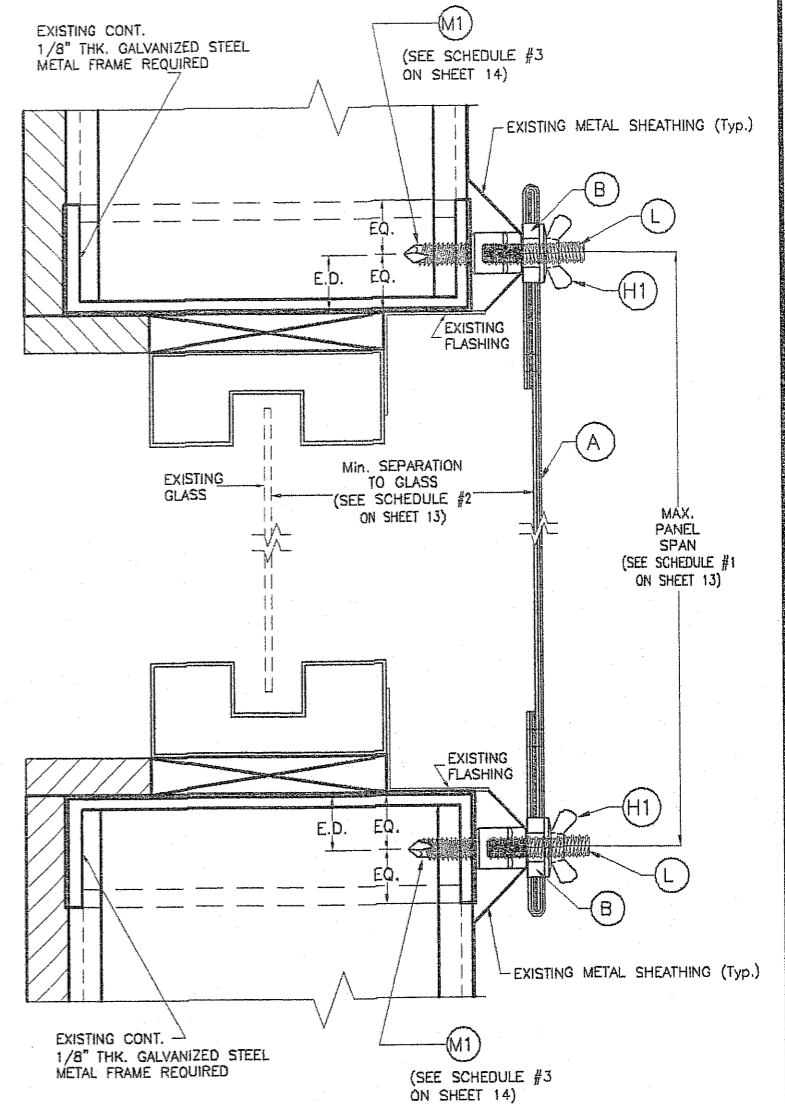


FOR DIRECT WALL MOUNT TO
POURED CONCRETE,
GROUT FILLED BLOCK OR
HOLLOW BLOCK SUBSTRATE
AT TOP & BOTTOM



FOR DIRECT WALL MOUNT TO
STEEL SUBSTRATE
AT TOP & BOTTOM

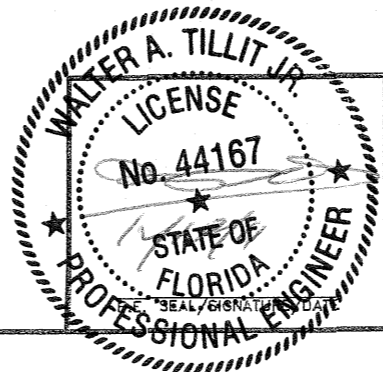
SECTIONS A' - A'
SCALE 3/8"=1"



FOR DIRECT WALL MOUNT TO
STEEL SUBSTRATE
AT TOP & BOTTOM

NOTE FOR COMBINATION OF SECTIONS:

TOP AND BOTTOM MOUNTINGS CAN BE COMBINED IN ANY WAY TO SUIT ANY INSTALLATION.



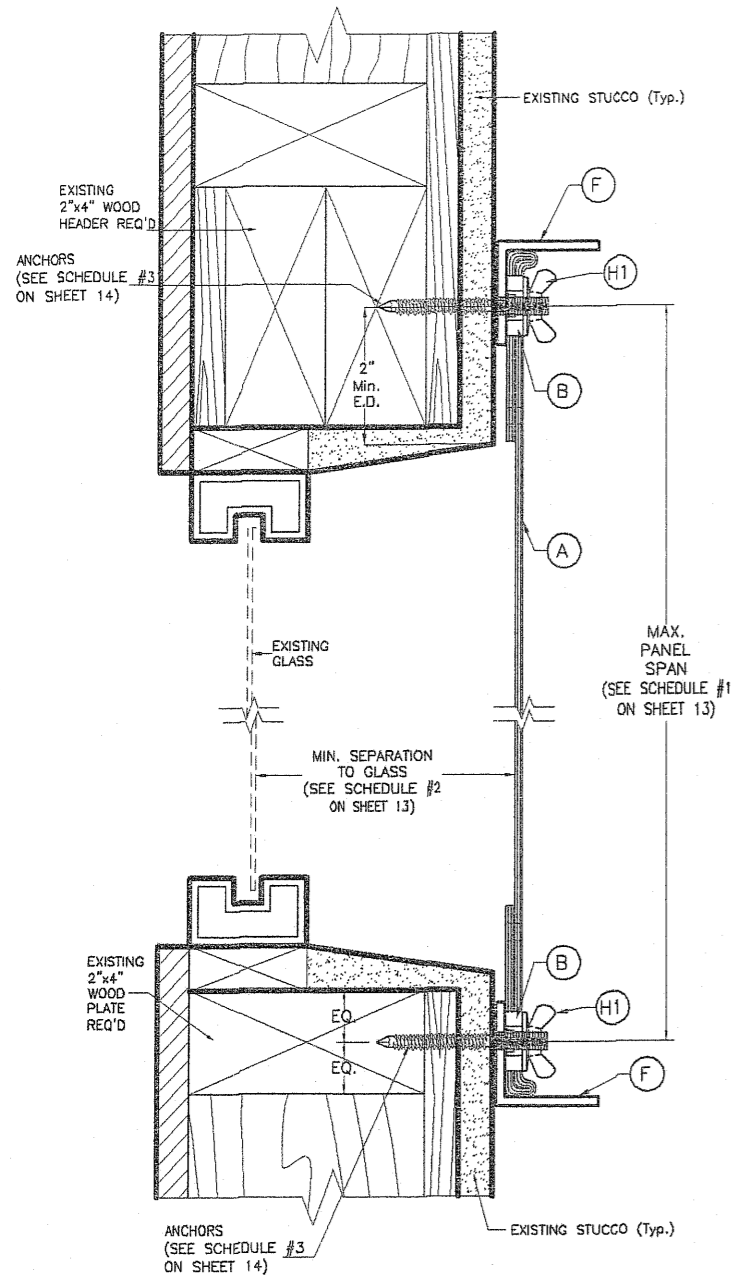
© 2011 TILTECO INC.

TILTECO INC.

TILLIT TESTING & ENGINEERING COMPANY
6355 N.W. 38th St., Ste. 305 - VIRGINIA GARDENS, FL 33186
Phone: (305) 871-1530, Fax: (305) 871-1531
e-mail: tilteco@aol.com
EB-0006719
WALTER A. TILLIT Jr., P.E.
FLORIDA Lic. # 44167

FLORIDA BUILDING CODE (Non High Velocity Hurricane Zone)

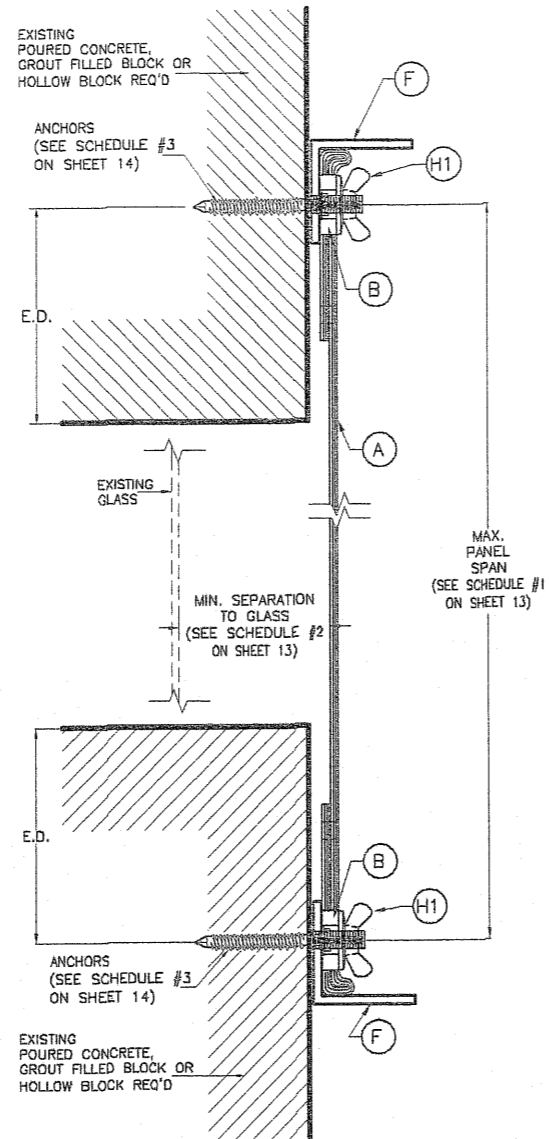
GPP FABRIC SHUTTER - SERIES 2000		L.G./A.G. DRAWN BY	
GLOBAL PROTECTION PRODUCTS, LLC.		12/01/11 DATE	
4800 S.W. 51 STREET DAVIE, FL 33314 PHONE: (954)689-7545, FAX: (954)689-8797		11-212 DRAWING N°	
REV N°	DESCRIPTION	DATE	REV N°
1	GLD 09-158	12/01/11	3
2			4



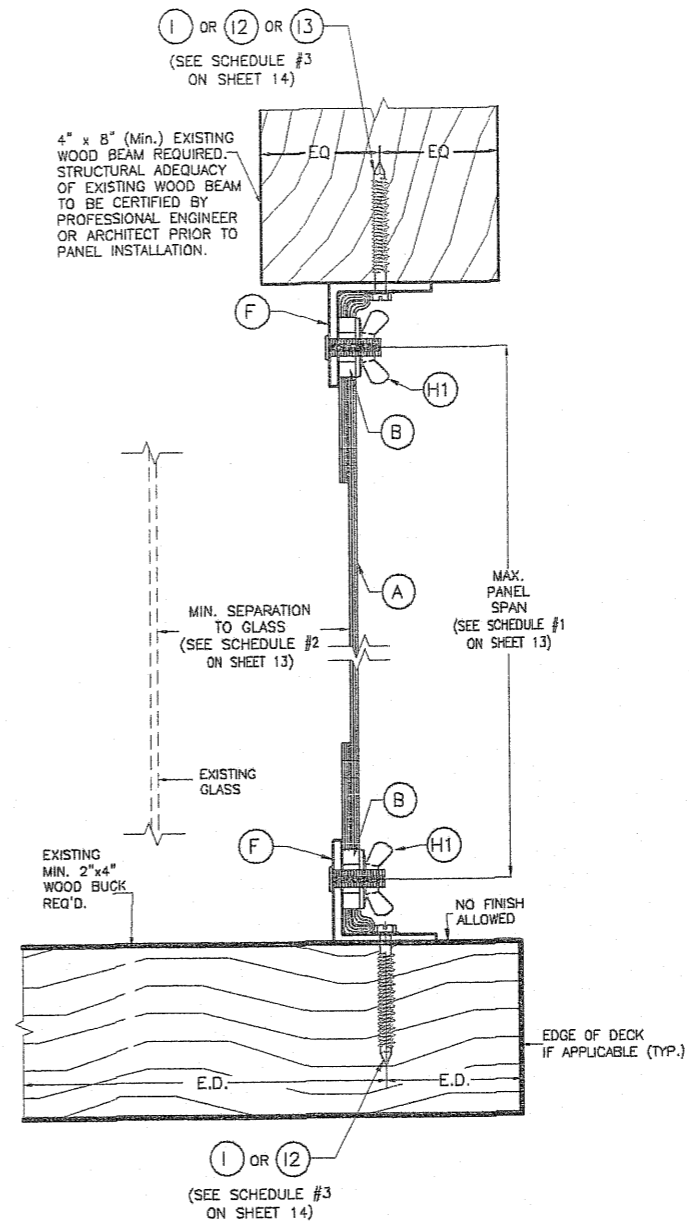
FOR STUDDED ANGLE WALL MOUNT TO WOOD SUBSTRATE AT TOP & BOTTOM

SECTIONS B - B
SCALE 3/8"=1"

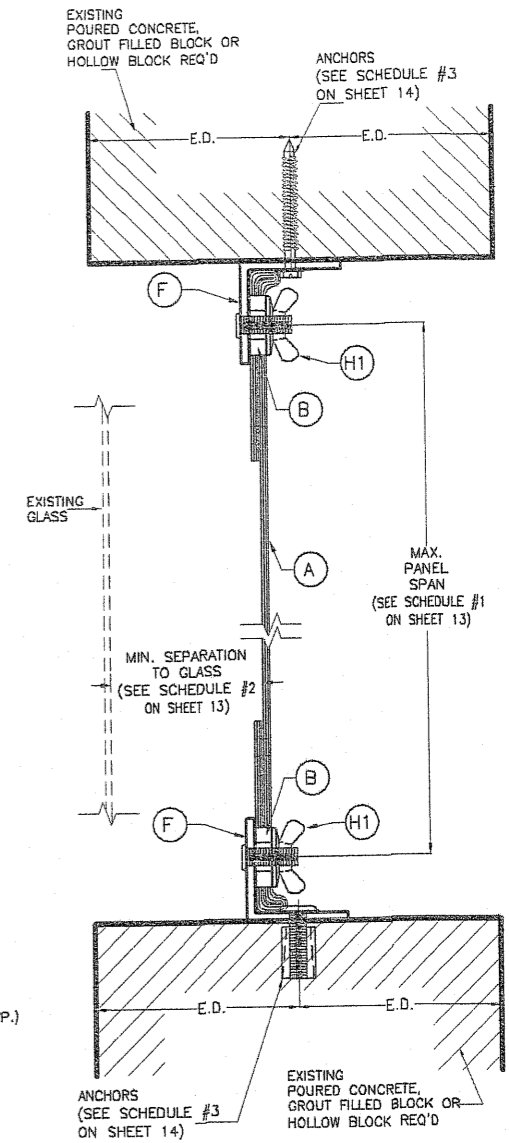
NOTE FOR COMBINATION OF SECTIONS:
TOP AND BOTTOM MOUNTINGS CAN BE COMBINED IN ANY WAY TO SUIT ANY INSTALLATION.



FOR STUDDED ANGLE WALL MOUNT TO POURED CONCRETE, GROUT FILLED BLOCK OR HOLLOW BLOCK SUBSTRATE AT TOP & BOTTOM

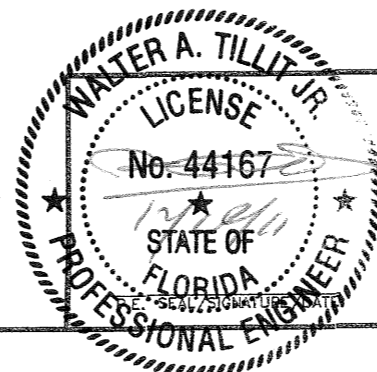


FOR STUDDED ANGLE FLOOR TO CEILING MOUNT TO WOOD SUBSTRATE AT TOP & BOTTOM



FOR STUDDED ANGLE FLOOR TO CEILING MOUNT TO POURED CONCRETE, GROUT FILLED BLOCK OR HOLLOW BLOCK SUBSTRATE AT TOP & BOTTOM

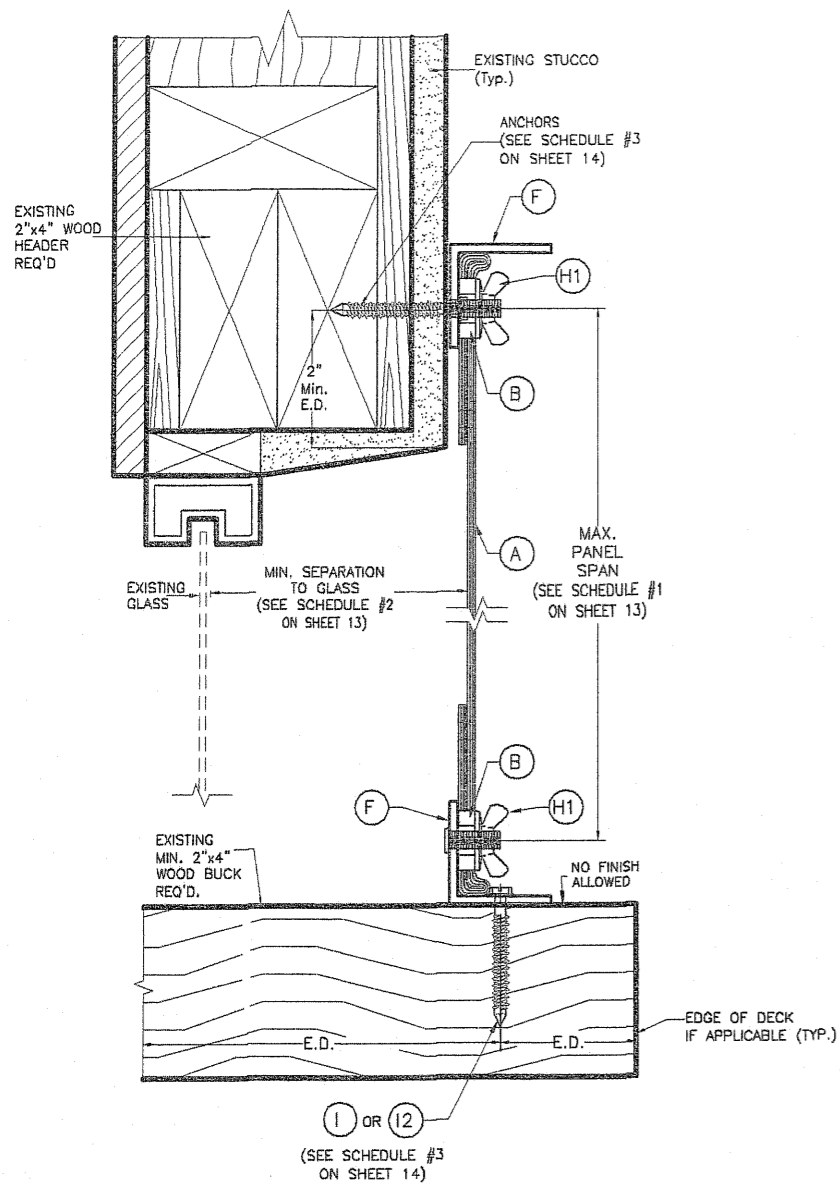
SECTIONS C - C
SCALE 3/8"=1"



©2011 TILTECO INC.
TILTECO inc.
TILLIT TESTING & ENGINEERING COMPANY
6355 N.W. 39th St., Ste. 305 - VIRGINIA GARDENS, FL 33166
Phone : (305) 871-1530 , Fax : (305) 871-1531
e-mail: tilteco@aol.com
EB-0006719
WALTER A. TILLIT Jr., P.E.
FLORIDA Lic. # 44167

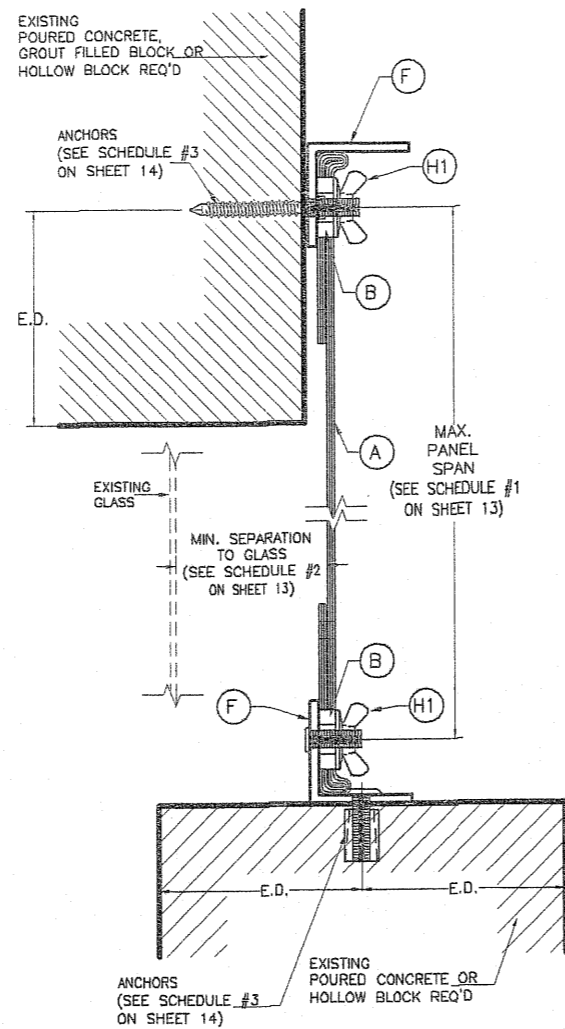
FLORIDA BUILDING CODE (Non High Velocity Hurricane Zone)

GPP FABRIC SHUTTER - SERIES 2000		L.G./A.G. DRAWN BY
GLOBAL PROTECTION PRODUCTS, LLC.		12/01/11 DATE
4800 S.W. 51 STREET DAVIE, FL. 33314 PHONE: (954)689-7545, FAX: (954)689-8797		11-212 DRAWING N°
REV N°	DESCRIPTION	DATE
1	OLD 09-158	12/01/11
2		

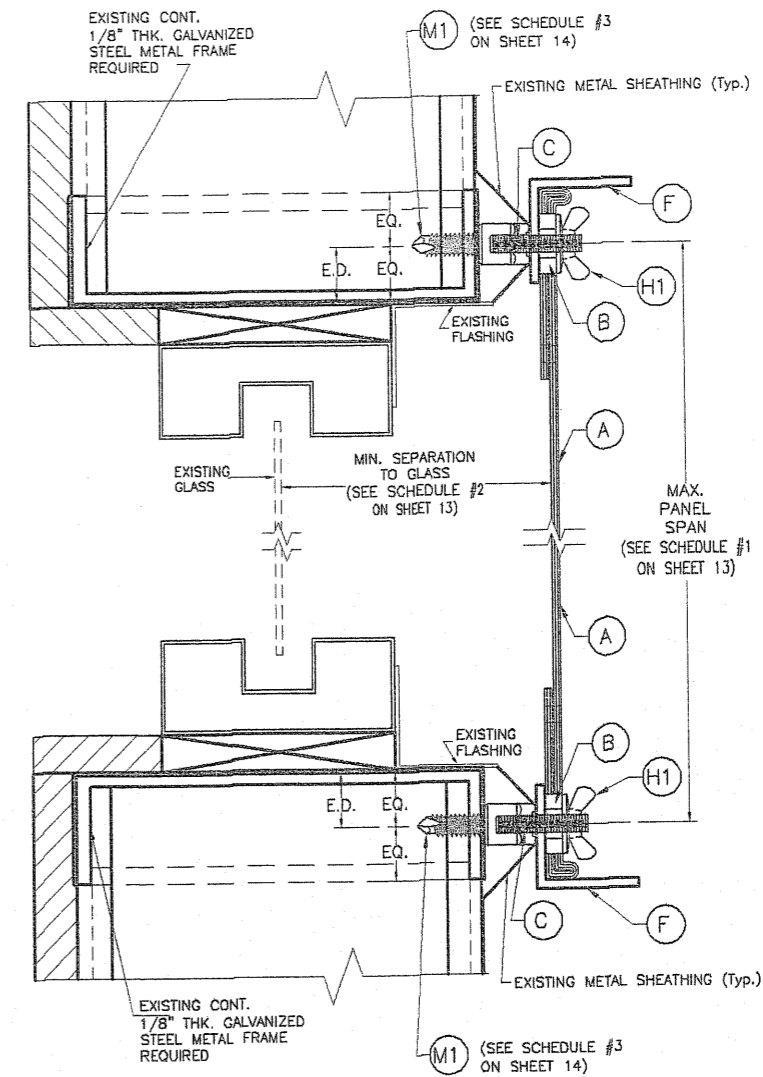


FOR STUDDED ANGLE WALL MOUNT TO WOOD SUBSTRATE AT TOP & STUDDED ANGLE FLOOR MOUNT TO WOOD SUBSTRATE AT BOTTOM

SECTIONS D - D
SCALE 3/8"=1"



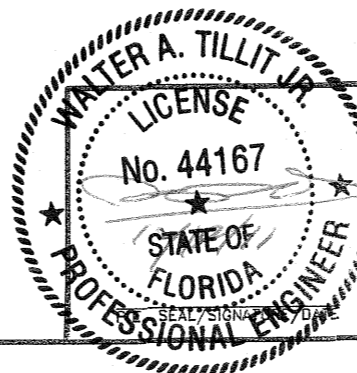
FOR STUDDED ANGLE WALL MOUNT TO POURED CONCRETE, GROUT FILLED BLOCK OR HOLLOW BLOCK SUBSTRATE AT TOP & STUDDED ANGLE FLOOR MOUNT TO POURED CONCRETE, GROUT FILLED BLOCK OR HOLLOW BLOCK SUBSTRATE AT BOTTOM



FOR STUDDED ANGLE WALL MOUNT TO STEEL SUBSTRATE AT TOP & BOTTOM

SECTIONS E - E
SCALE 3/8"=1"

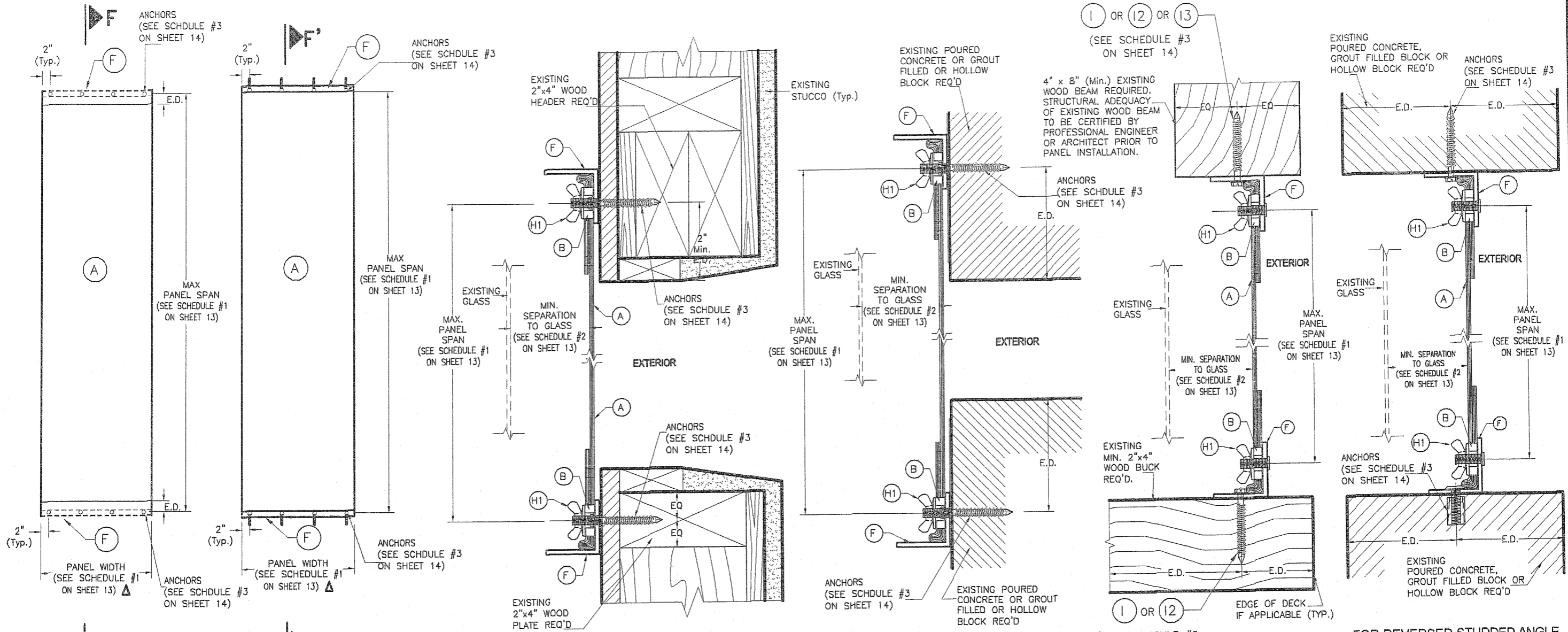
NOTE FOR COMBINATION OF SECTIONS:
TOP AND BOTTOM MOUNTINGS CAN BE COMBINED IN ANY WAY TO SUIT ANY INSTALLATION.



© 2011 TILTECO INC.
TILTECO INC.
TILLIT TESTING & ENGINEERING COMPANY
6355 N.W. 38th St., Ste. 305 - VIRGINIA GARDENS, FL 33166
Phone: (305) 871-1530, Fax: (305) 871-1531
e-mail: tilteco@aol.com
EB-0006719
WALTER A. TILLIT JR., P.E.
FLORIDA Lic. # 44167

FLORIDA BUILDING CODE (Non High Velocity Hurricane Zone)

GPP FABRIC SHUTTER - SERIES 2000		L.G./A.G. DRAWN BY
GLOBAL PROTECTION PRODUCTS, LLC.		12/01/11 DATE
4800 S.W. 51 STREET DAVIE, FL 33314 PHONE: (954)689-7545, FAX: (954)689-8797		11-212 DRAWING N°
REV N°	DESCRIPTION	DATE
1	OLD 08-158	12/01/11
2		



ELEVATION FOR REVERSED STUDDED ANGLE WALL MOUNT TO POURED CONCRETE, GROUT FILLED BLOCK, HOLLOW BLOCK OR WOOD SUBSTRATE AT TOP & BOTTOM

ELEVATION FOR REVERSED STUDDED ANGLE FLOOR TO CEILING MOUNT TO POURED CONCRETE, GROUT FILLED BLOCK, HOLLOW BLOCK OR WOOD SUBSTRATE AT TOP & BOTTOM

FOR REVERSED STUDDED ANGLE WALL MOUNT TO WOOD SUBSTRATE AT TOP & BOTTOM

FOR REVERSED STUDDED ANGLE WALL MOUNT TO POURED CONCRETE, GROUT FILLED BLOCK OR HOLLOW BLOCK SUBSTRATE AT TOP & BOTTOM

FOR REVERSED STUDDED ANGLE FLOOR TO CEILING MOUNT TO WOOD SUBSTRATE AT TOP & BOTTOM

FOR REVERSED STUDDED ANGLE FLOOR TO CEILING MOUNT TO POURED CONCRETE, GROUT FILLED BLOCK OR HOLLOW BLOCK SUBSTRATE AT TOP & BOTTOM

SECTIONS F - F' SCALE 3/8"=1"

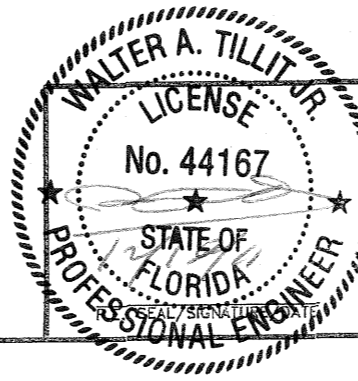
SECTIONS F' - F' SCALE 3/8"=1"

SINGLE PANEL (REVERSED) ELEVATIONS

SCALE 1/2"= 1"

△ FABRIC SHALL ENTIRELY COVER THE OPENING WIDTH WITH NO NEED OF OVERLAPPING BEYOND IT

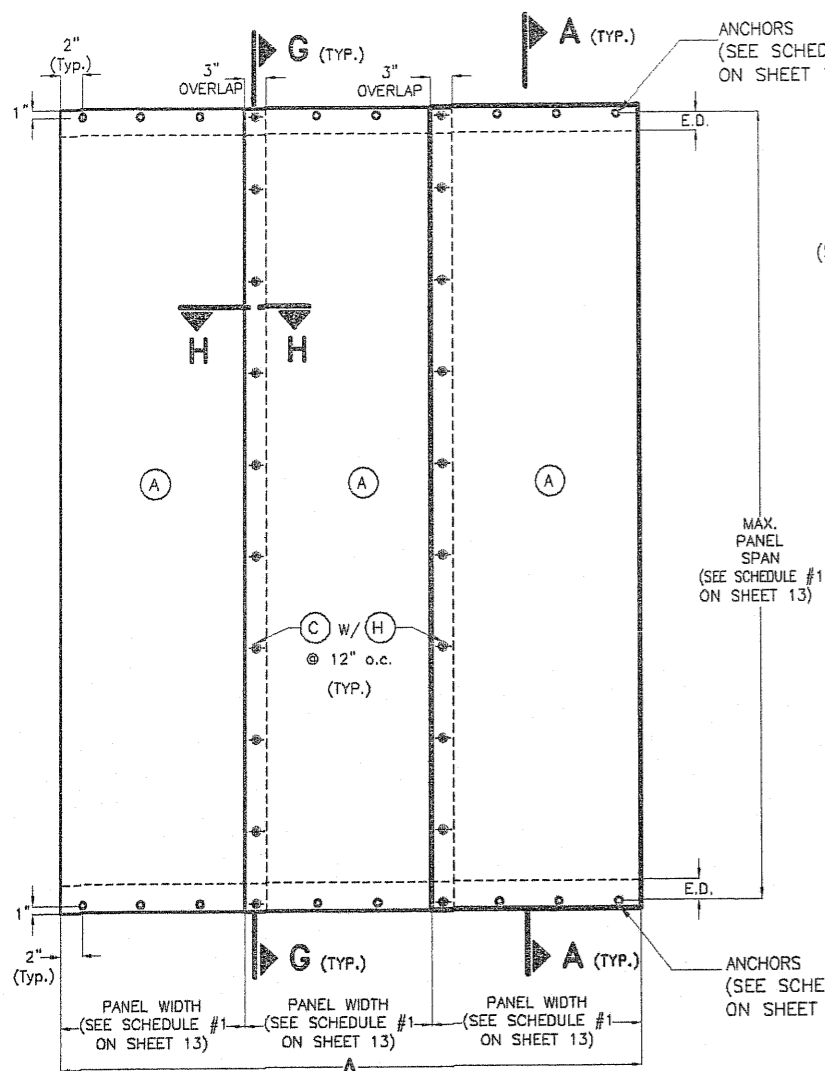
NOTE FOR COMBINATION OF SECTIONS:
TOP AND BOTTOM MOUNTINGS CAN BE COMBINED IN ANY WAY TO SUIT ANY INSTALLATION.



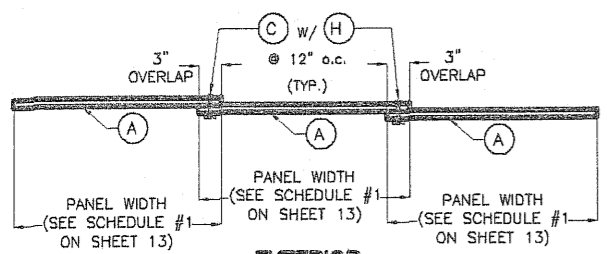
© 2011 TILTECO INC.
TILTECO INC.
TILLIT TESTING & ENGINEERING COMPANY
3355 N.W. 36th St., Ste. 305 - VIRGINIA GARDENS, FL 33166
Phone: (305) 871-1530, Fax: (305) 871-1531
e-mail: tilteco@aol.com
EB-0006719
WALTER A. TILLIT JR., P.E.
FLORIDA Lic. # 44167

FLORIDA BUILDING CODE (Non High Velocity Hurricane Zone)

GPP FABRIC SHUTTER - SERIES 2000		L.G./A.C. DRAWN BY
GLOBAL PROTECTION PRODUCTS, LLC.		12/01/11 DATE
4800 S.W. 51 STREET DAVIE, FL 33314 PHONE: (954)689-7545, FAX: (954)689-8797		11-212 DRAWING N°
REV N°	DESCRIPTION	DATE
1	OLD 09-158	12/01/11
2		



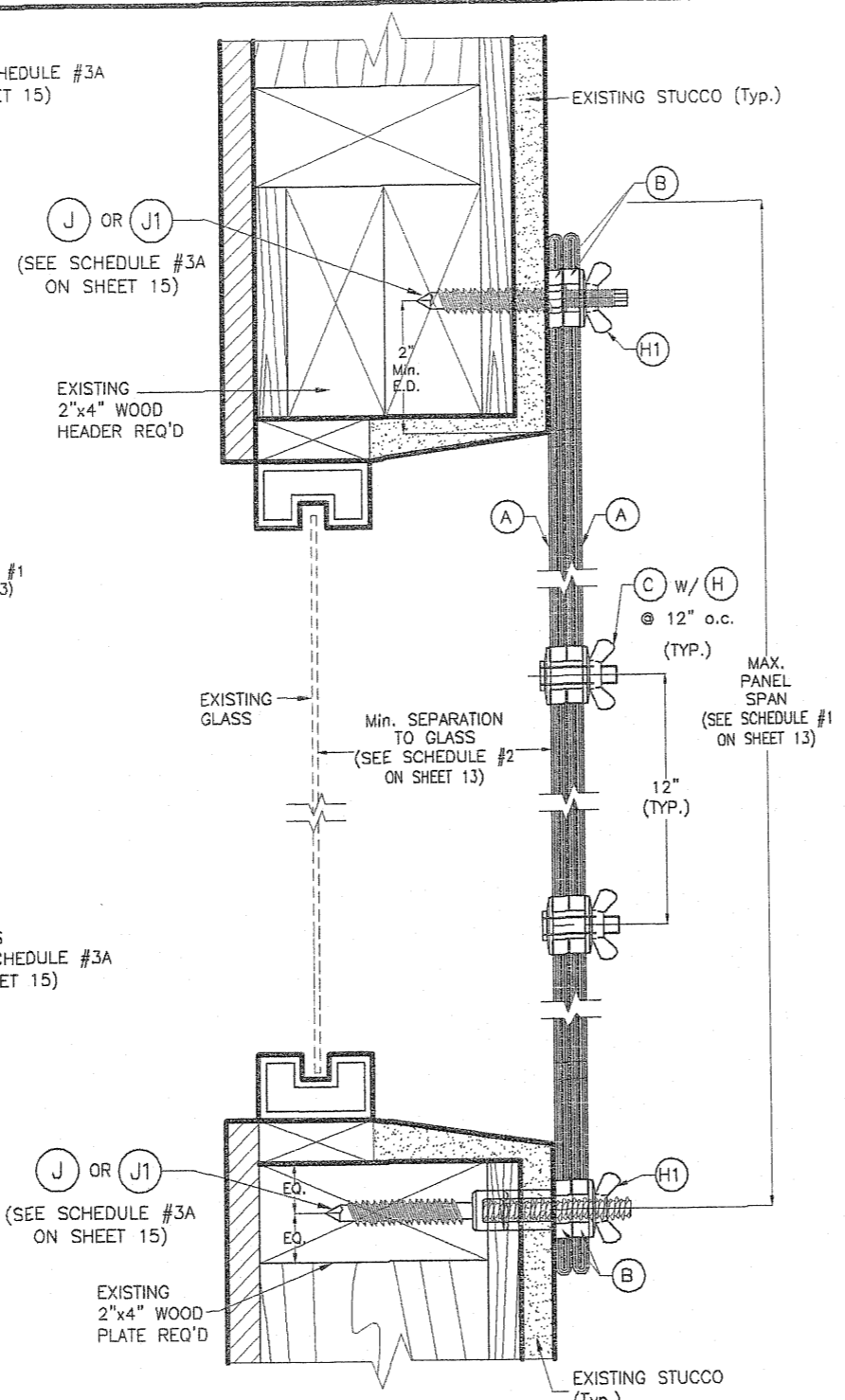
**ELEVATION FOR DIRECT WALL MOUNT TO
POURED CONCRETE, GROUT FILLED BLOCK,
HOLLOW BLOCK OR WOOD SUBSTRATE
AT TOP & BOTTOM**



**EXTERIOR
PLAN**

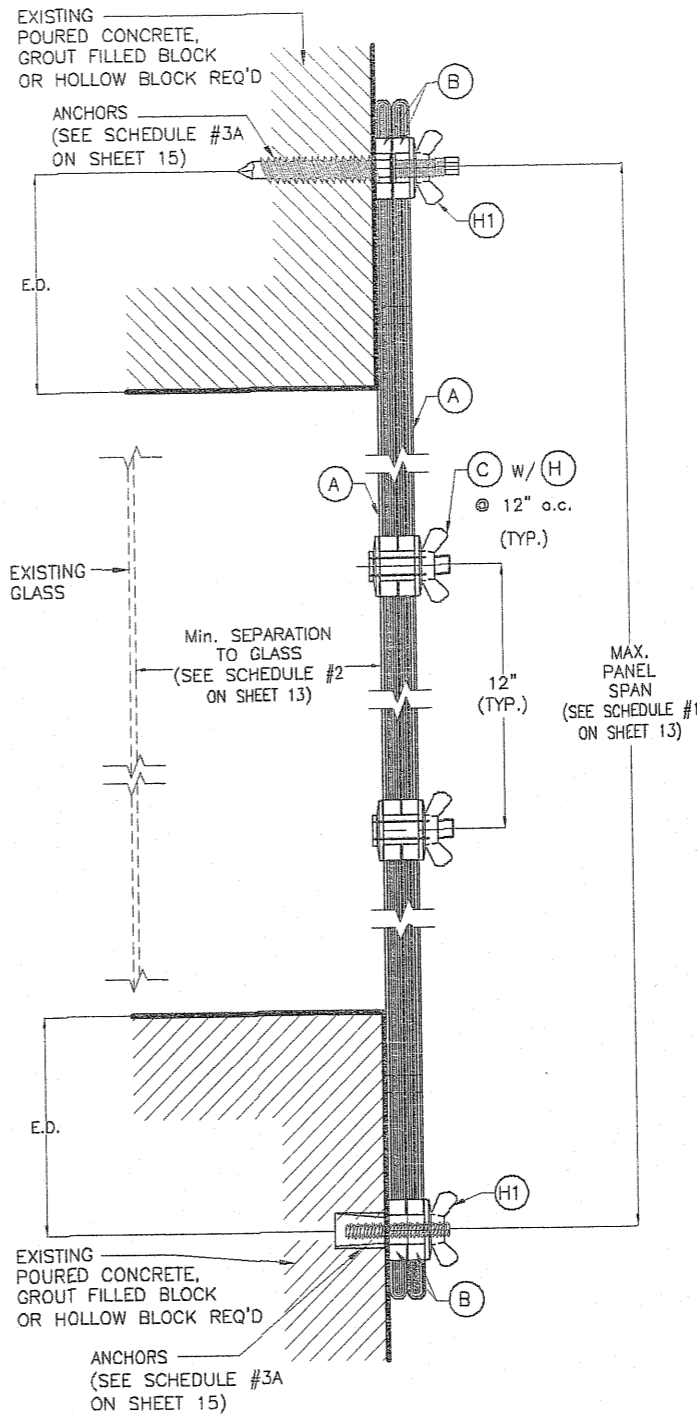
**OVERLAPPED MULTIPLE PANELS
SCALE 1/2" = 1'-0"**

△ FABRIC SHALL ENTIRELY COVER THE OPENING WIDTH
WITH NO NEED OF OVERLAPPING BEYOND IT

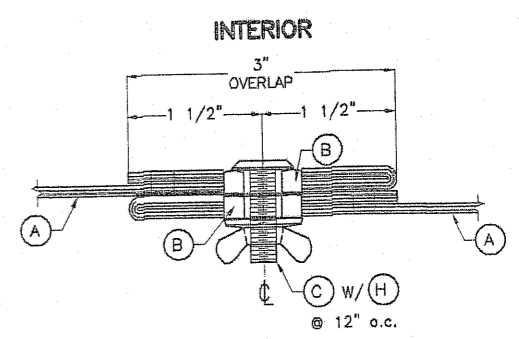


**FOR DIRECT WALL MOUNT TO
WOOD SUBSTRATE
AT TOP & BOTTOM**

**NOTE FOR COMBINATION OF SECTIONS:
TOP AND BOTTOM MOUNTINGS CAN BE COMBINED IN
ANY WAY TO SUIT ANY INSTALLATION.**

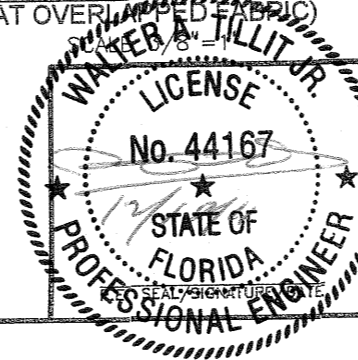


**FOR DIRECT WALL MOUNT TO POURED
CONCRETE, GROUT FILLED BLOCK OR
HOLLOW BLOCK SUBSTRATE
AT TOP & BOTTOM**



**SECTION H - H
SCALE 3/8" = 1"**

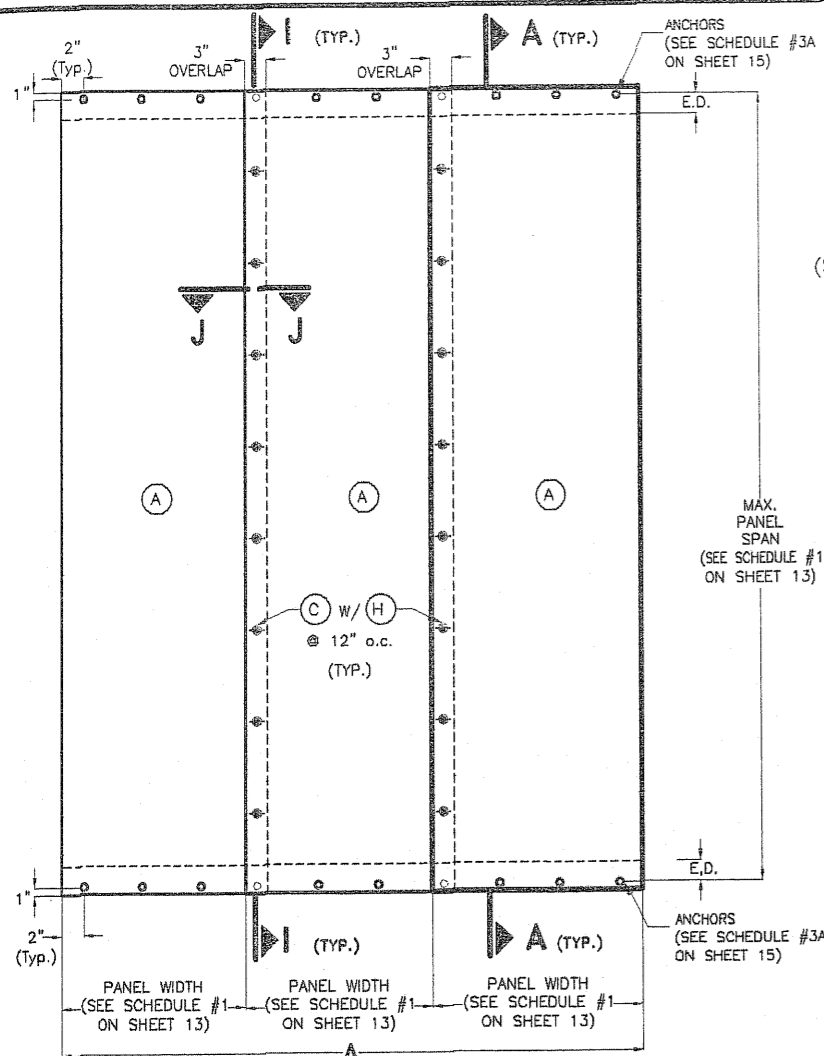
**SECTIONS G - G
(AT OVERLAPPED FABRIC)**



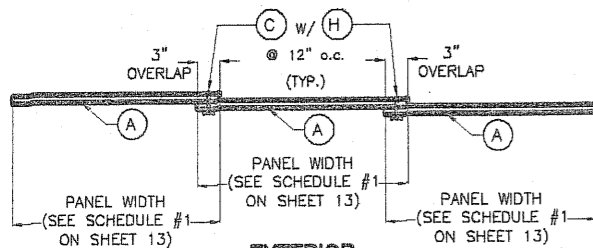
©2011 TILTECO INC.
TILTECO INC.
TILLIT TESTING & ENGINEERING COMPANY
3355 N.W. 36th St., Ste. 305 - VIRGINIA GARDENS, FL 33166
Phone: (305) 871-1530, Fax: (305) 871-1531
e-mail: tilteco@aol.com
EB-0006719
WALTER A. TILLIT JR., P.E.
FLORIDA Lic. # 44167

FLORIDA BUILDING CODE (Non High Velocity Hurricane Zone)

GPP FABRIC SHUTTER - SERIES 2000		L.G./A.G. DRAWN BY
GLOBAL PROTECTION PRODUCTS, LLC.		12/01/11 DATE
4800 S.W. 51 STREET DAVIE, FL 33314 PHONE: (954)689-7545, FAX: (954)689-8797		11-212 DRAWING N°
REV N°	DESCRIPTION	DATE
1	OLD 09-158	12/01/11
2		



**ELEVATION FOR DIRECT WALL MOUNT TO
POURED CONCRETE, GROUT FILLED BLOCK,
HOLLOW BLOCK OR WOOD SUBSTRATE
AT TOP & BOTTOM**

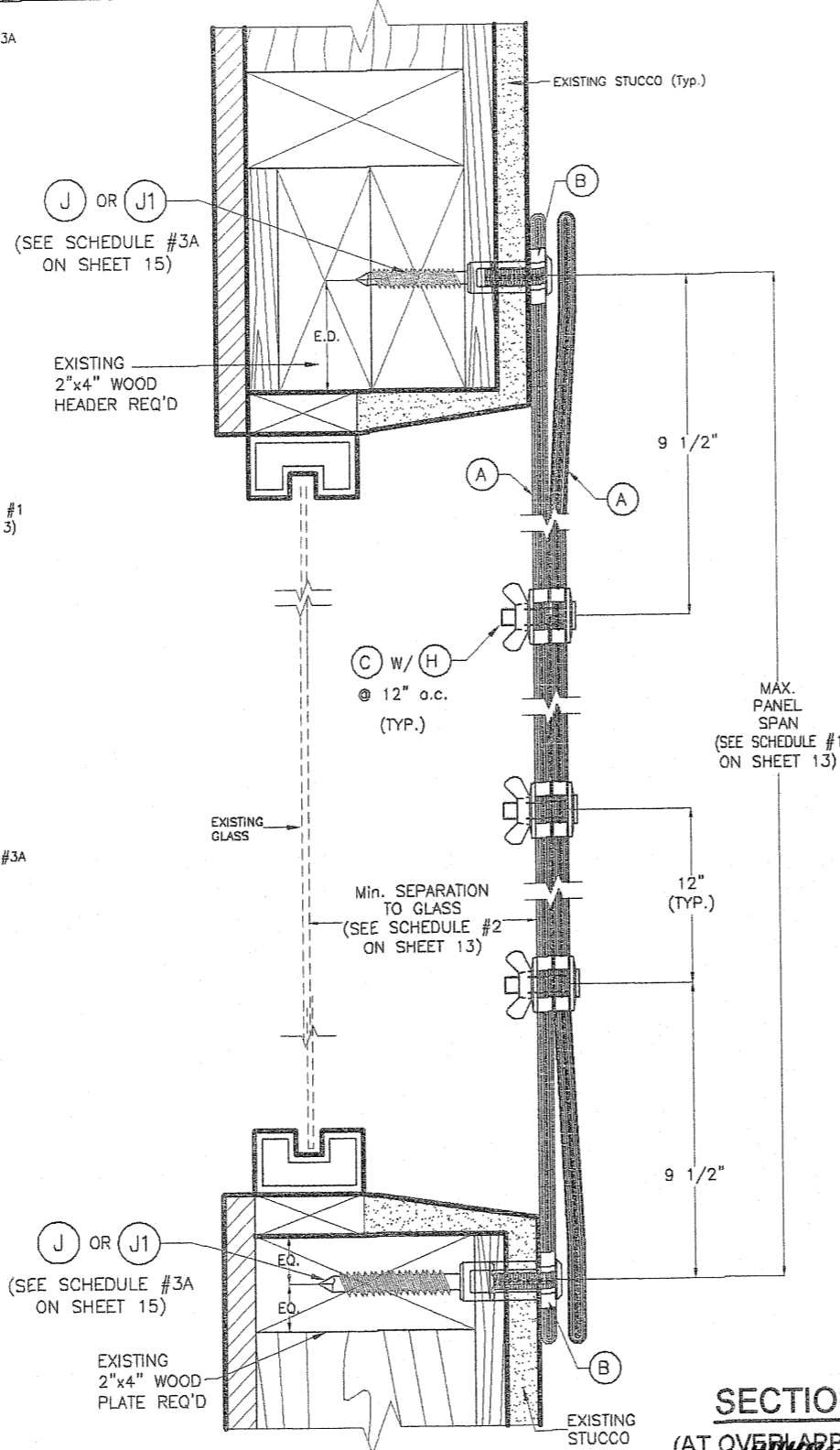


**EXTERIOR
PLAN**

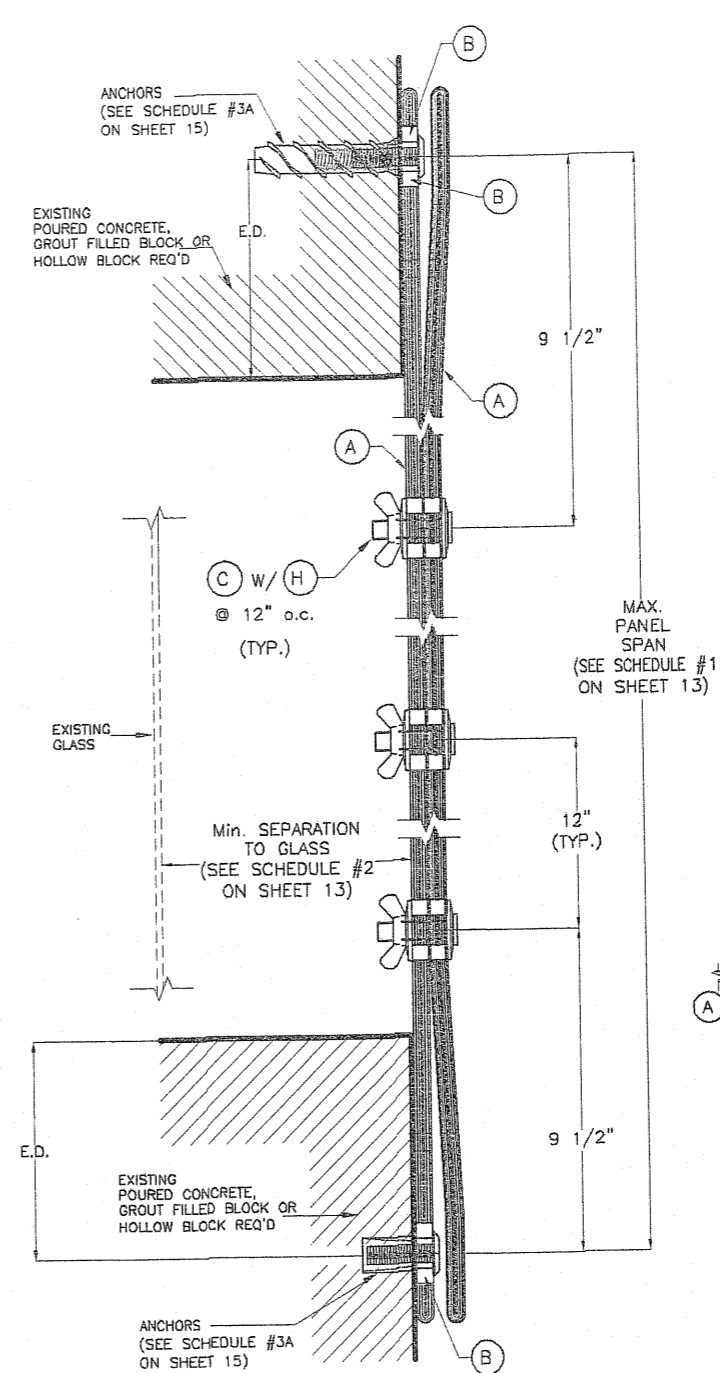
**SAFETY PANEL FOR DOORS W/
OVERLAPPED MULTIPLE PANELS**

SCALE 1/2" = 1'-0"

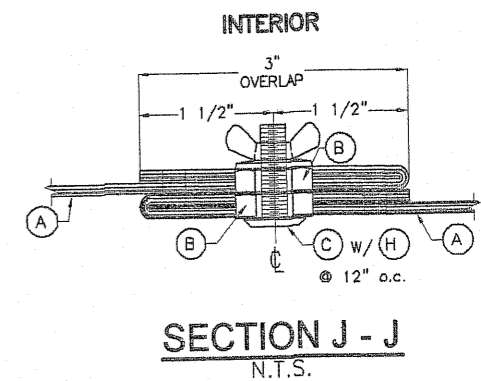
△ FABRIC SHALL ENTIRELY COVER THE OPENING WIDTH
WITH NO NEED OF OVERLAPPING BEYOND IT



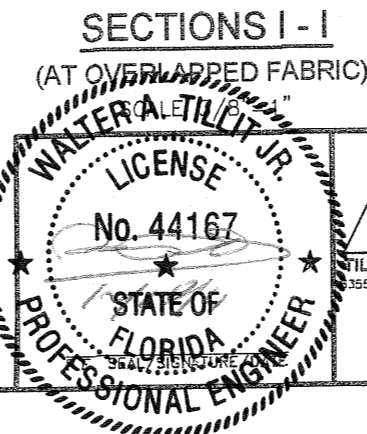
**FOR DIRECT WALL MOUNT TO WOOD
SUBSTRATE AT TOP & BOTTOM**



**FOR DIRECT WALL MOUNT TO POURED
CONCRETE, GROUT FILLED BLOCK OR
HOLLOW BLOCK SUBSTRATE
AT TOP & BOTTOM**



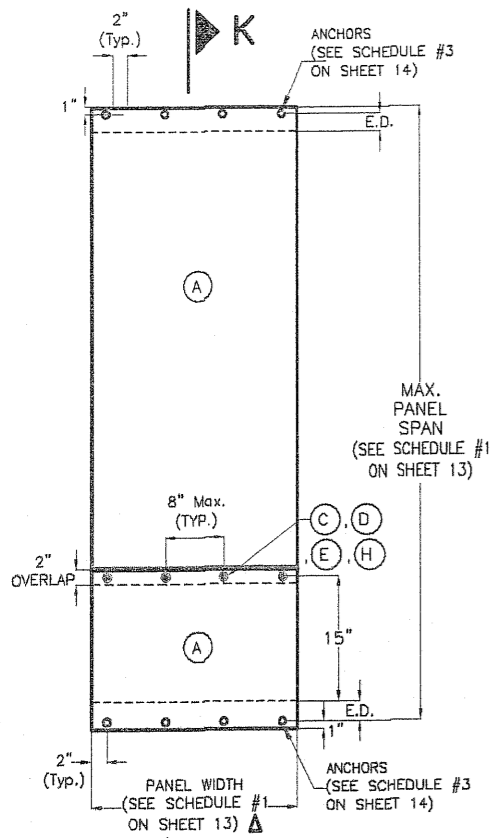
NOTE FOR COMBINATION OF SECTIONS:
TOP AND BOTTOM MOUNTINGS CAN BE COMBINED IN
ANY WAY TO SUIT ANY INSTALLATION.



© 2011 TILTECO INC.
TILTECO INC.
TILLIT TESTING & ENGINEERING COMPANY
355 N.W. 36th St., Ste. 305 - VIRGINIA GARDENS, FL 33166
Phone: (305) 871-1530, Fax: (305) 871-1531
e-mail: tilteco@aol.com
EB-0006719
WALTER A. TILLIT JR., P.E.
FLORIDA Lic. # 44167

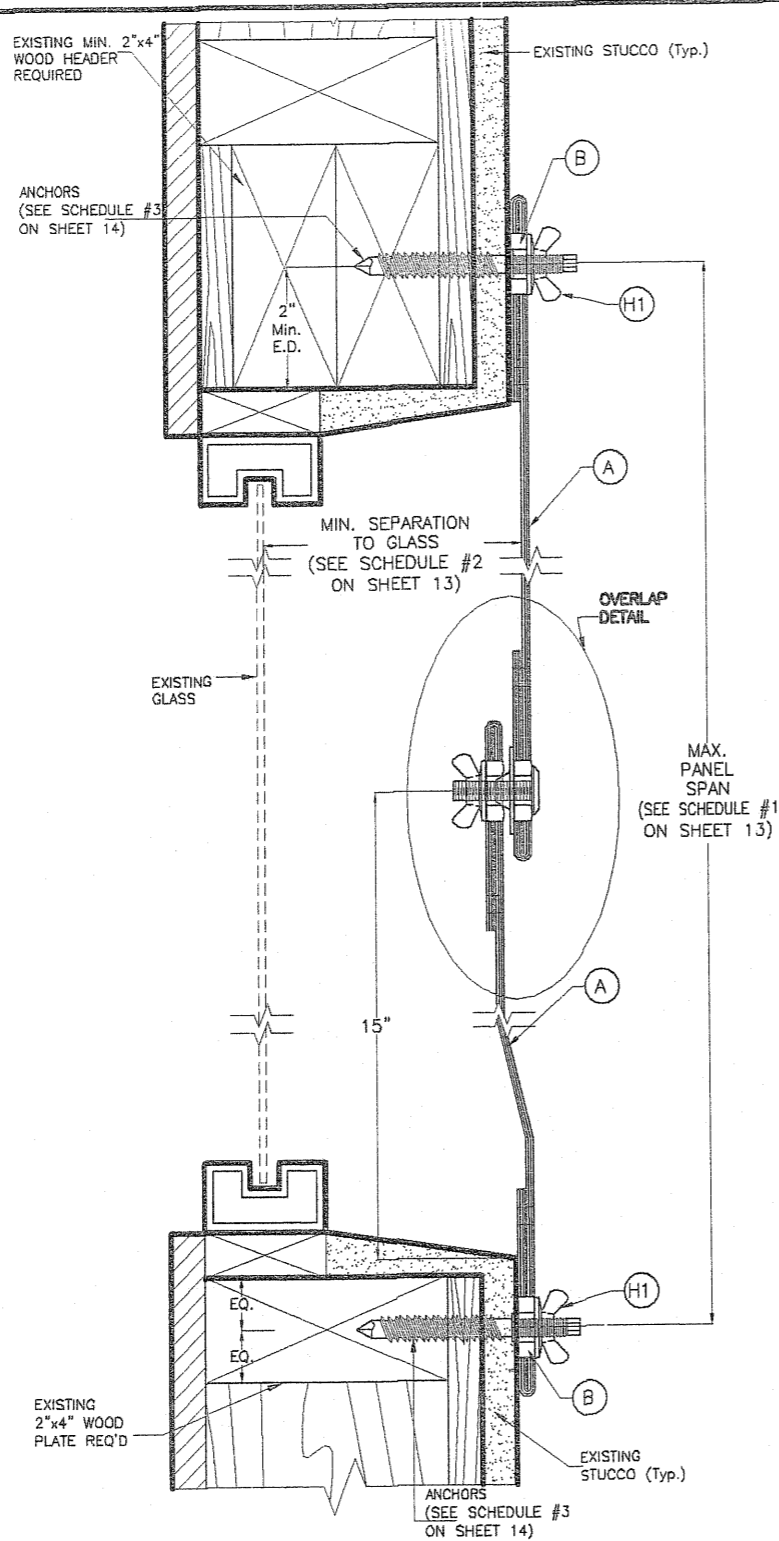
FLORIDA BUILDING CODE (Non High Velocity Hurricane Zone)

GPP FABRIC SHUTTER - SERIES 2000		L.G./A.G. DRAWN BY
GLOBAL PROTECTION PRODUCTS, LLC.		12/01/11 DATE
4800 S.W. 51 STREET DAVIE, FL 33314 PHONE: (954)689-7545, FAX: (954)689-8797		11-212 DRAWING N°
REV #	DESCRIPTION	DATE
1	OLD 09-159	12/01/11
2		



**SAFETY SINGLE PANEL
FOR SINGLE HUNG WINDOWS**
SCALE 1/2" = 1'-0"

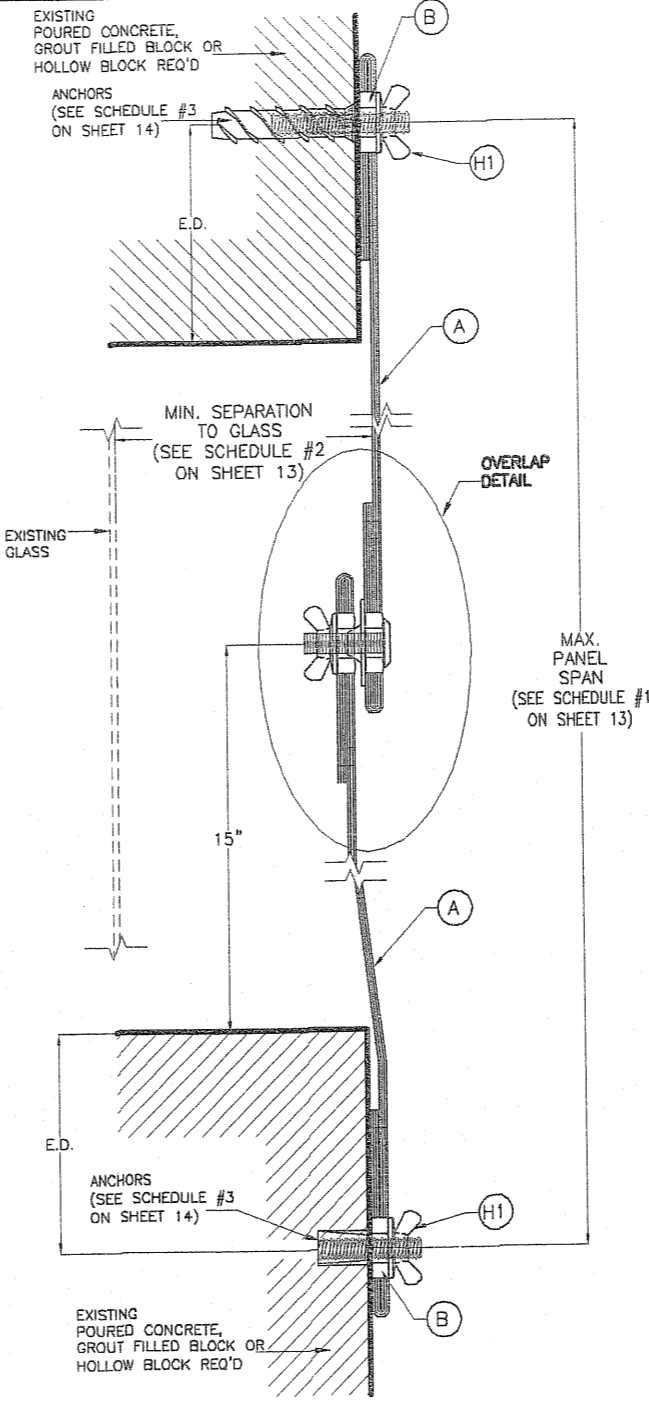
△ FABRIC SHALL ENTIRELY COVER THE OPENING WIDTH WITH NO NEED OF OVERLAPPING BEYOND IT.



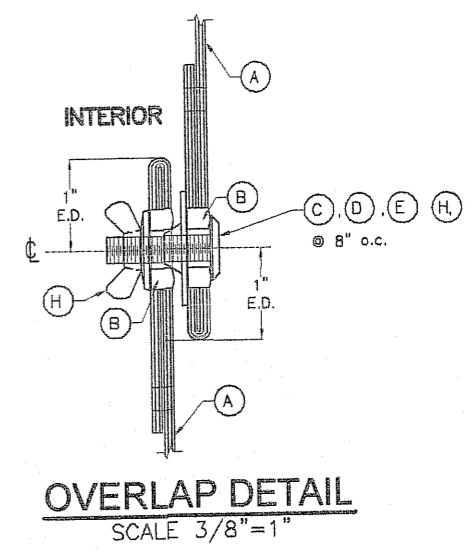
**FOR DIRECT WALL MOUNT TO
WOOD SUBSTRATE
AT TOP & BOTTOM**

SECTIONS K - K
SCALE 3/8" = 1"

NOTE FOR COMBINATION OF SECTIONS:
TOP AND BOTTOM MOUNTINGS CAN BE COMBINED IN ANY WAY TO SUIT ANY INSTALLATION.

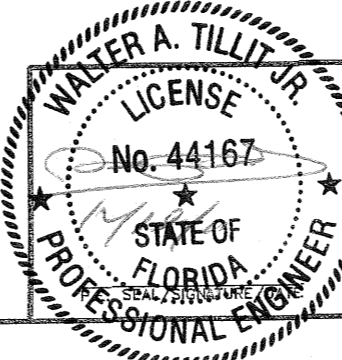


**FOR DIRECT WALL MOUNT TO
POURED CONCRETE, GROUT
FILLED BLOCK OR HOLLOW BLOCK
SUBSTRATE AT TOP & BOTTOM**



OVERLAP DETAIL
SCALE 3/8" = 1"

FLORIDA BUILDING CODE (Non High Velocity Hurricane Zone)



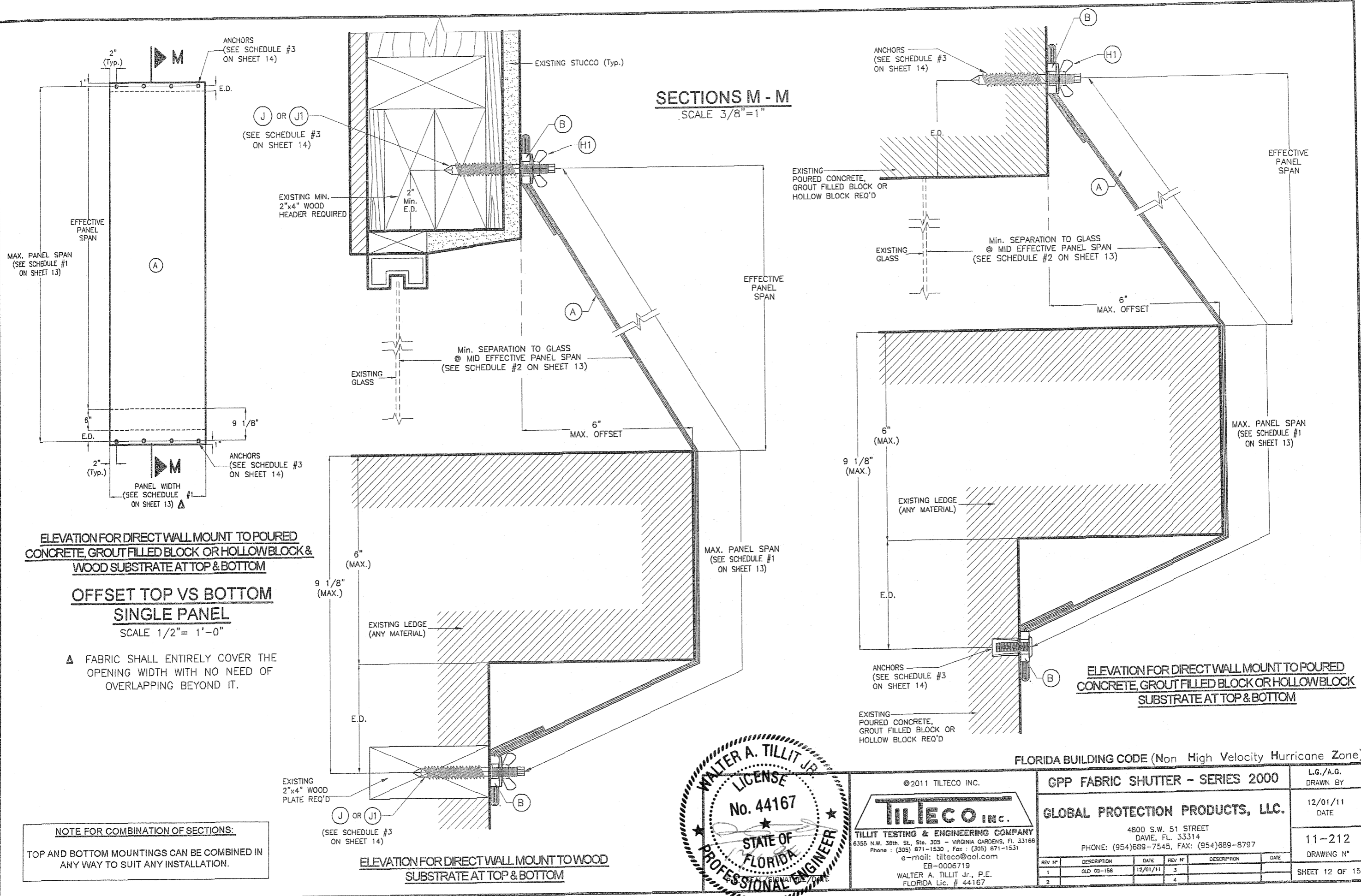
© 2011 TILTECO INC.

TILTECO INC.

TILLIT TESTING & ENGINEERING COMPANY
255 N.W. 38th St., Ste. 305 - VIRGINIA GARDENS, FL 33168
Phone: (305) 871-1530, Fax: (305) 871-1531
e-mail: tilteco@aol.com
EB-0006719
WALTER A. TILLIT JR., P.E.
FLORIDA Lic. # 44167

GPP FABRIC SHUTTER - SERIES 2000		L.G./A.G. DRAWN BY
GLOBAL PROTECTION PRODUCTS, LLC.		12/01/11 DATE
4800 S.W. 51 STREET DAVIE, FL 33314 PHONE: (954)689-7545, FAX: (954)689-8797		11-212 DRAWING N°
REV N°	DESCRIPTION	DATE
1	OLD 05-158	12/01/11
2		

SHEET 11 OF 15



ELEVATION FOR DIRECT WALL MOUNT TO POURED CONCRETE, GROUT FILLED BLOCK OR HOLLOW BLOCK & WOOD SUBSTRATE AT TOP & BOTTOM

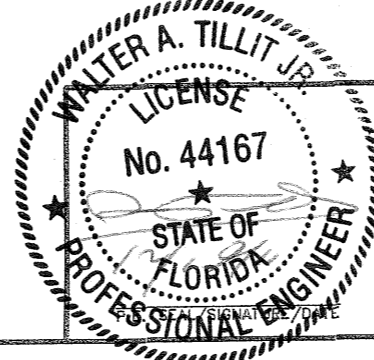
OFFSET TOP VS BOTTOM SINGLE PANEL
SCALE 1/2" = 1'-0"

▲ FABRIC SHALL ENTIRELY COVER THE OPENING WIDTH WITH NO NEED OF OVERLAPPING BEYOND IT.

NOTE FOR COMBINATION OF SECTIONS:
TOP AND BOTTOM MOUNTINGS CAN BE COMBINED IN ANY WAY TO SUIT ANY INSTALLATION.

SECTIONS M - M
SCALE 3/8" = 1"

FLORIDA BUILDING CODE (Non High Velocity Hurricane Zone)



©2011 TILTECO INC.
TILTECO INC.
TILLIT TESTING & ENGINEERING COMPANY
6355 N.W. 39th. St., Ste. 305 - VIRGINIA GARDENS, FL 33166
Phone: (305) 871-1530, Fax: (305) 871-1531
e-mail: tilteco@aol.com
EB-0006719
WALTER A. TILLIT JR., P.E.
FLORIDA Lic. # 44167

GPP FABRIC SHUTTER - SERIES 2000		L.G./A.G. DRAWN BY
GLOBAL PROTECTION PRODUCTS, LLC.		12/01/11 DATE
4800 S.W. 51 STREET DAVIE, FL 33314 PHONE: (954)689-7545, FAX: (954)689-8797		11-212 DRAWING N°
REV N°	DESCRIPTION	DATE
1	OLD 08-158	12/01/11
2		

SCHEDULE # 1

MAXIMUM A.S.D. DESIGN PRESSURE RATING, CORRESPONDING MAXIMUM PANEL SPAN & MAXIMUM & MINIMUM PANEL WIDTH

MAXIMUM A.S.D. DESIGN PRESSURE RATING (p.s.f.)	MAXIMUM PANEL SPAN (ft.)	FOR SINGLE PANELS			FOR OVERLAPPED MULTIPLE PANELS			IMPACT RESISTANCE MISSILE TYPE & SPEED *
		MAXIMUM & MINIMUM PANEL WIDTH (ft.)		APPLICABLE TO SECTIONS & ANY COMBINATION OF THEM	MAXIMUM & MINIMUM PANEL WIDTH (ft.)		APPLICABLE TO SECTIONS & ANY COMBINATION OF THEM	
		MAX.	MIN.		MAX.	MIN.		
60.00 OR LESS	12' - 7"	12' - 0" †	2' - 4"	A - A, A' - A', B - B, D - D, E - E & F - F	12' - 0" †	2' - 4"	G - G	TYPE D 50 ft/sec.
75.00 OR LESS	8' - 7"	12' - 0" †	1' - 0"	A - A, A' - A', B - B, D - D, E - E, F - F & M - M	12' - 0" †	2' - 4"	G - G & I - I	
75.00 OR LESS	6' - 7"	12' - 0" †	2' - 4"	K - K	-	-	-	

† USE MAXIMUM PANEL WIDTH OF 6'-6" FOR INSTALLATIONS WITHIN WIND ZONE 4, AS DEFINED BY SECTION 6.2.2.4 OF ASTM E 1996 STANDARD.

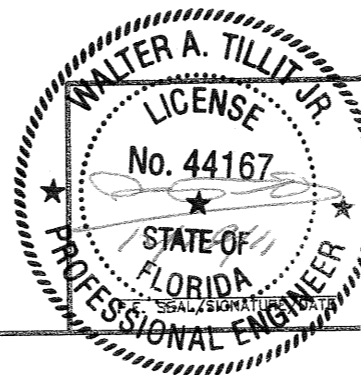
* PER ASTM E 1996 STANDARD W/ A BASIC WIND SPEED IN EXCESS OF 175 M.P.H.

SCHEDULE # 2

MINIMUM SEPARATION TO GLASS FOR SINGLE & OVERLAPPED MULTIPLE PANEL

MAXIMUM A.S.D. DESIGN PRESSURE RATING (p.s.f.)	MAXIMUM PANEL SPAN (ft.)	REQUIRED MIN. SEPARATION TO GLASS MEASURED TO BACK OF FABRIC (in)	
		WIND ZONES 1 THRU 3 *	WIND ZONE 4 *
60.0 OR LESS	12' - 7"	1" Δ	34 1/2"
75.0 OR LESS	8' - 7"	1" Δ	28 5/8"
75.0 OR LESS	6' - 7"	1" Δ	15 3/8"

Δ MINIMUM SEPARATION TO GLASS MAY BE REDUCED TO 1/4" ONLY FOR INSTALLATION W/ 8'-0" PANEL SPAN AND FOR INSTALLATION INTO WOOD FRAME BUILDING.



©2011 TILTECO INC.

TILTECO INC.

TILLIT TESTING & ENGINEERING COMPANY
 6355 N.W. 36th. St., Ste. 305 - VIRGINIA GARDENS, FL 33166
 Phone : (305) 871-1530 , Fax : (305) 871-1531
 e-mail: tilteco@aol.com
 EB-0006719
 WALTER A. TILLIT Jr., P.E.
 FLORIDA Lic. # 44167

FLORIDA BUILDING CODE (Non High Velocity Hurricane Zone)

GPP FABRIC SHUTTER - SERIES 2000				L.G./A.G. DRAWN BY
GLOBAL PROTECTION PRODUCTS, LLC.				12/01/11 DATE
4800 S.W. 51 STREET DAVE, FL 33314 PHONE: (954)689-7545, FAX: (954)689-8797				11-212 DRAWING N°
REV N°	DESCRIPTION	DATE	REV N°	DATE
1	GLD 09-158	12/01/11	3	
2			4	

SCHEDULE # 3

MAXIMUM A.S.D. DESIGN PRESSURE RATING (p.s.f.) AND CORRESPONDING MAXIMUM ANCHOR SPACING FOR SINGLE PANELS

DIRECT MOUNT OR WALL MOUNT W/ STUDDED ANGLE

MAXIMUM A.S.D. DESIGN PRESSURE RATING (p.s.f.)	I 1/4" ELCO ULTRACON ANCHOR				II 5/16" ITW BUILDEX TAPCON XL ANCHOR			I2 5/16" ELCO ULTRACON ANCHOR	I3 5/16" ELCO ULTRACON ANCHOR	MAXIMUM PANEL SPAN (ft.)	APPLICABLE TO SECTIONS & ANY COMBINATION OF THEM
	TO CONCRETE	TO GROUT FILLED BLOCK	TO HOLLOW BLOCK	TO WOOD	TO CONCRETE	TO GROUT FILLED BLOCK	TO HOLLOW BLOCK	TO WOOD	TO WOOD		
	W/MIN. REQ'D. f'c = 2700 p.s.i. 1 3/4" embedment 3 1/8" E.D.	W/MIN. REQ'D. f'm = 1924 p.s.i. 1 1/4" embedment 2 1/2" E.D.	W/MIN. REQ'D. f'm = 1924 p.s.i. 1 1/4" embedment 2 1/2" E.D.	W/MIN. REQ'D. G = 0.55 1" Thread. Penet. 2" E.D.	W/MIN. REQ'D. f'c = 2899 p.s.i. 2 1/4" embedment 3 1/8" E.D.	W/MIN. REQ'D. f'm = 1872 p.s.i. 2 1/4" embedment 4" E.D.	W/MIN. REQ'D. f'm = 1872 p.s.i. 1 1/4" embedment 4" E.D.	W/MIN. REQ'D. G = 0.55 1" Thread. Penet. 3 1/8" E.D.	W/MIN. REQ'D. G = 0.55 2" Thread. Penet. 3 1/8" E.D.		
30.00 ORLESS	7"	5 1/2"	4 1/2"	2 1/2"	8"	8"	7"	5"	8"	12' - 7"	B - B, D - D (TOP) & F - F
30.00 - 45.00	5"	4"	N/A	2"	8"	8"	5"	3 1/2"	7 1/2"		
45.00 - 60.00	4"	N/A	N/A	1 1/2"	7 1/2"	7 1/2"	4"	3"	6"		
37.50 ORLESS	7"	5"	4 1/2"	2 1/2"	8"	8"	7"	4 1/2"	8"	8' - 7"	B - B & M - M
37.50 - 56.25	5"	N/A	N/A	2"	8"	8"	5"	3 1/2"	7"		
56.25 - 75.00	4"	N/A	N/A	1 1/2"	7 1/2"	7 1/2"	4"	3"	5 1/2"		
37.50 ORLESS	8"	8"	8"	5 1/2"	8"	8"	8"	8"	8"	6' - 7"	B - B, D - D (TOP), F - F, M - M & K - K
37.50 - 56.25	8"	8"	6"	4"	8"	8"	8"	7"	8"		
56.25 - 75.00	7 1/2"	6"	4 1/2"	3"	8"	8"	6 1/2"	5 1/2"	8"		

MAXIMUM A.S.D. DESIGN PRESSURE RATING (p.s.f.)	J 1/4" ELCO PANELMATE PRO			JI 1/4" ELCO FEMALE ID PANELMATE			K 1/4" ALL POINT SOLID-SET		K1 1/2" ELCO PANELMATE "L" INSERT			MAXIMUM PANEL SPAN (ft.)	APPLICABLE TO SECTIONS & ANY COMBINATION OF THEM
	TO CONCRETE	TO HOLLOW BLOCK OR GROUT FILLED BLOCK	TO WOOD	TO CONCRETE	TO HOLLOW BLOCK OR GROUT FILLED BLOCK	TO WOOD	TO CONCRETE	TO HOLLOW BLOCK	TO CONCRETE	TO GROUT FILLED BLOCK	TO HOLLOW BLOCK		
	W/MIN. REQ'D. f'c = 3350 p.s.i. 2" embedment 2 1/2" E.D.	W/MIN. REQ'D. f'm = 2071 p.s.i. 1 1/4" embedment 3" E.D.	W/MIN. REQ'D. G = 0.55 1 7/8" Thread. Penet. 3/4" E.D.	W/MIN. REQ'D. f'c = 3350 p.s.i. 1 3/4" embedment 2 1/2" E.D.	W/MIN. REQ'D. f'm = 2071 p.s.i. 1 1/4" embedment 3" E.D.	W/MIN. REQ'D. G = 0.55 1 7/8" Thread. Penet. 3/4" E.D.	W/MIN. REQ'D. f'c = 3000 p.s.i. 7/8" embedment 3" E.D.	W/MIN. REQ'D. f'm = 1800 p.s.i. 7/8" embedment 3" E.D.	W/MIN. REQ'D. f'c = 2071 p.s.i. 1 5/8" embedment 4" E.D.	W/MIN. REQ'D. f'm = 2676 p.s.i. 1 1/4" embedment 3 1/2" E.D.	W/MIN. REQ'D. f'm = 1794 p.s.i. 1 1/4" embedment 3 1/2" E.D.		
30.00 ORLESS	8"	5"	7"	7"	N/A	7"	8"	6 1/2"	8"	8"	8"	12' - 7"	A - A, B - B, D - D (TOP) & F - F
30.00 - 45.00	6 1/2"	N/A	5"	5"	N/A	5"	6 1/2"	4 1/2"	7"	6"	5 1/2"		
45.00 - 60.00	5"	N/A	4"	N/A	N/A	4"	5"	3 1/2"	6 1/2"	4 1/2"	4 1/2"		
37.50 ORLESS	8"	4 1/2"	6 1/2"	6 1/2"	N/A	6 1/2"	8"	6"	8"	8"	8"	8' - 7"	A - A, B - B, & M - M
37.50 - 56.25	6 1/2"	N/A	5"	4 1/2"	N/A	5"	6"	4 1/2"	7"	5 1/2"	5 1/2"		
56.25 - 75.00	5"	N/A	4"	N/A	N/A	4"	5"	3 1/2"	5 1/2"	4 1/2"	4 1/2"		
37.50 ORLESS	8"	8"	8"	8"	7 1/2"	8"	8"	8"	8"	8"	8"	6' - 7"	A - A, B - B, D - D (TOP), F - F, M - M & K - K
37.50 - 56.25	8"	6 1/2"	8"	8"	5 1/2"	8"	8"	8"	8"	8"	8"		
56.25 - 75.00	8"	5"	8"	7 1/2"	4"	8"	8"	6 1/2"	8"	8"	8"		

MAXIMUM A.S.D. DESIGN PRESSURE RATING (p.s.f.)	O 3/8" ELCO MODIFIED CONFLX			M 5/16" ELCO HANGER MATE		M1 1/4" ELCO HANGER MATE	N 1/4" ELCO FAB-LOCK HD	P 1/2" POWER CALK-IN ANCHOR		MAXIMUM PANEL SPAN (ft.)	APPLICABLE TO SECTIONS & ANY COMBINATION OF THEM
	TO CONCRETE	TO GROUT FILLED BLOCK	TO HOLLOW BLOCK	TO CONCRETE	TO HOLLOW BLOCK	TO A36 STEEL	TO 18 GAGE STEEL	TO CONCRETE	TO HOLLOW BLOCK		
	W/MIN. REQ'D. f'c = 1819 p.s.i. 2 1/2" embedment 3 3/4" E.D.	W/MIN. REQ'D. f'm = 2400 p.s.i. 1 3/4" embedment 2 1/2" E.D.	W/MIN. REQ'D. f'm = 2400 p.s.i. 1 1/4" embedment 2 1/2" E.D.	W/MIN. REQ'D. f'c = 3650 p.s.i. 2" embedment 3 1/8" E.D.	W/MIN. REQ'D. f'm = 1872 p.s.i. 1 1/4" embedment 3 1/8" E.D.	W/MIN. REQ'D. 1/8" thk. (A36) 1/8" Threaded 1 3/4" E.D.	W/MIN. REQ'D. 30 k.s.i. 1/8" Threaded 1 3/4" E.D.	W/MIN. REQ'D. f'c = 3000 p.s.i. 1 1/2" embedment 6" E.D.	W/MIN. REQ'D. f'm = 1500 p.s.i. 1 1/2" embedment 6" E.D.		
30.00 ORLESS	8"	6 1/2"	5"	8"	5 1/2"	8"	8"	8"	8"	12' - 7"	A - A, A' - A', B - B, D - D (TOP), E - E & F - F
30.00 - 45.00	8"	4 1/2"	3 1/2"	8"	N/A	8"	8"	8"	6 1/2"		
45.00 - 60.00	8"	4"	2 1/2"	6 1/2"	N/A	7"	7"	8"	5"		
37.50 ORLESS	8"	6"	5"	8"	5"	8"	8"	8"	8"	8' - 7"	A - A, B - B, & M - M
37.50 - 56.25	8"	4 1/2"	3 1/2"	8"	N/A	8"	8"	8"	6 1/2"		
56.25 - 75.00	8"	3 1/2"	3"	6 1/2"	N/A	7"	7"	8"	5"		
37.50 ORLESS	8"	8"	8"	8"	8"	8"	8"	8"	8"	6' - 7"	A - A, A' - A', B - B, D - D (TOP), E - E, F - F, M - M & K - K
37.50 - 56.25	8"	8"	6"	8"	7"	8"	8"	8"	8"		
56.25 - 75.00	8"	7"	4 1/2"	8"	5 1/2"	8"	8"	8"	8"		

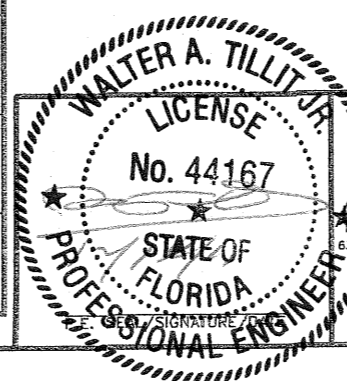
FLOOR/CEILING MOUNT W/ STUDDED ANGLE

MAXIMUM A.S.D. DESIGN PRESSURE RATING (p.s.f.)	I 1/4" ELCO ULTRACON ANCHOR				II 5/16" ITW BUILDEX TAPCON XL ANCHOR			MAXIMUM PANEL SPAN (ft.)	APPLICABLE TO SECTIONS & ANY COMBINATION OF THEM
	TO CONCRETE	TO GROUT FILLED BLOCK	TO HOLLOW BLOCK	TO WOOD	TO CONCRETE	TO GROUT FILLED BLOCK	TO HOLLOW BLOCK		
	W/MIN. REQ'D. f'c = 2700 p.s.i. 1 3/4" embedment 3 1/8" E.D.	W/MIN. REQ'D. f'm = 1924 p.s.i. 1 1/4" embedment 2 1/2" E.D.	W/MIN. REQ'D. f'm = 1924 p.s.i. 1 1/4" embedment 2 1/2" E.D.	W/MIN. REQ'D. G = 0.55 1" Thread. Penet. 2" E.D.	W/MIN. REQ'D. f'c = 2899 p.s.i. 2 1/4" embedment 3 1/8" E.D.	W/MIN. REQ'D. f'm = 1872 p.s.i. 2 1/4" embedment 4" E.D.	W/MIN. REQ'D. f'm = 1872 p.s.i. 1 1/4" embedment 4" E.D.		
30.00 ORLESS	7 1/2"	7"	N/A	4"	8"	8"	5"	12' - 7"	C - C, D - D (BOTTOM) & F' - F'
30.00 - 45.00	5 1/2"	5"	N/A	3"	8"	N/A	N/A		
45.00 - 60.00	4"	N/A	N/A	2 1/2"	7 1/2"	8"	N/A		

MAXIMUM A.S.D. DESIGN PRESSURE RATING (p.s.f.)	I2 5/16" ELCO ULTRACON ANCHOR	I3 5/16" ELCO ULTRACON ANCHOR	MAXIMUM PANEL SPAN (ft.)	APPLICABLE TO SECTIONS & ANY COMBINATION OF THEM
	TO WOOD	TO WOOD		
	W/MIN. REQ'D. G = 0.55 1" Thread. Penet. 3 1/8" E.D.	W/MIN. REQ'D. G = 0.55 2" Thread. Penet. 3 1/8" E.D.		
30.00 ORLESS	5 1/2"	8"	12' - 7"	C - C, D - D (BOTTOM) & F' - F'
30.00 - 45.00	4"	8"		
45.00 - 60.00	3"	6 1/2"		

MAXIMUM A.S.D. DESIGN PRESSURE RATING (p.s.f.)	K 1/4" ALL POINT SOLID-SET		K1 1/2" ELCO PANELMATE "L" INSERT			P 1/2" POWER CALK-IN ANCHOR		MAXIMUM PANEL SPAN (ft.)	APPLICABLE TO SECTIONS & ANY COMBINATION OF THEM
	TO CONCRETE	TO HOLLOW BLOCK	TO CONCRETE	TO GROUT FILLED BLOCK	TO HOLLOW BLOCK	TO CONCRETE	TO HOLLOW BLOCK		
	W/MIN. REQ'D. f'c = 3000 p.s.i. 7/8" embedment 3" E.D.	W/MIN. REQ'D. f'm = 1800 p.s.i. 7/8" embedment 3" E.D.	W/MIN. REQ'D. f'c = 2071 p.s.i. 1 5/8" embedment 4" E.D.	W/MIN. REQ'D. f'm = 2676 p.s.i. 1 1/4" embedment 3 1/2" E.D.	W/MIN. REQ'D. f'm = 1794 p.s.i. 1 1/4" embedment 3 1/2" E.D.	W/MIN. REQ'D. f'c = 3000 p.s.i. 1 1/2" embedment 6" E.D.	W/MIN. REQ'D. f'm = 1500 p.s.i. 1 1/2" embedment 6" E.D.		
30.00 ORLESS	8"	6 1/2"	8"	7"	7"	8"	8"	12' - 7"	C - C, D - D (BOTTOM) & F' - F'
30.00 - 45.00	6 1/2"	4 1/2"	7"	5"	5"	8"	6"		
45.00 - 60.00	5"	3 1/2"	5 1/2"	4"	4"	8"	N/A		

NOTE: EMBEDMENT AND EDGE DISTANCE ARE BEYOND ANY FINISH MATERIAL.



© 2011 TILTECO INC.

TILTECO INC.

TILT TESTING & ENGINEERING COMPANY
6355 N.W. 36th St., Ste. 305 - VIRGINIA GARDENS, FL 33166
Phone: (305) 871-1530, Fax: (305) 871-1531
e-mail: tiltco@aol.com
EB-0006719
WALTER A. TILLIT JR., P.E.
FLORIDA Lic. # 44167

FLORIDA BUILDING CODE (Non High Velocity Hurricane Zone)

GPP FABRIC SHUTTER - SERIES 2000

GLOBAL PROTECTION PRODUCTS, LLC.

4800 S.W. 51 STREET
DAVIE, FL 33314
PHONE: (954) 689-7545, FAX: (954) 689-8797

REV #	DESCRIPTION	DATE	REV #	DESCRIPTION	DATE
1	OLD 09-15B	12/01/11	3		
2			4		

L.G./A.G. DRAWN BY
12/01/11 DATE
11-212 DRAWING N°
SHEET 14 OF 15

SCHEDULE # 3A

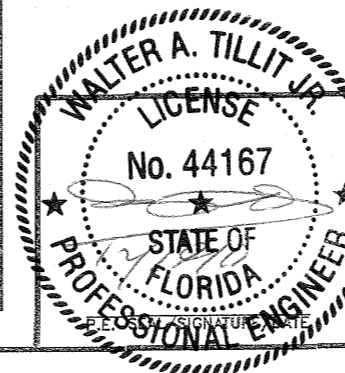
MAXIMUM A.S.D. DESIGN PRESSURE RATING (p.s.f.) AND CORRESPONDING MAXIMUM ANCHOR SPACING FOR OVERLAPPED MULTIPLE PANELS: DIRECT MOUNT

MAXIMUM A.S.D. DESIGN PRESSURE RATING (p.s.f.)	J 1/4"Ø ELCO PANELMATE PRO			J1 1/4"Ø ELCO FEMALE ID PANELMATE			MAXIMUM PANEL SPAN (ft.)	APPLICABLE TO SECTIONS & ANY COMBINATION OF THEM
	TO CONCRETE	TO HOLLOW BLOCK OR GROUT FILLED BLOCK	TO WOOD	TO CONCRETE	TO HOLLOW BLOCK OR GROUT FILLED BLOCK	TO WOOD		
	W/MIN. REQ'D. f _c = 3350 p.s.i. 2" embedment 2 1/2" E.D.	W/MIN. REQ'D. f _m = 2071 p.s.i. 1 1/4" embedment 3" E.D.	W/MIN. REQ'D. G = 0.55 1 7/8" Thread. Penet. 3/4" E.D.	W/MIN. REQ'D. f _c = 3350 p.s.i. 1 3/4" embedment 2 1/2" E.D.	W/MIN. REQ'D. f _m = 2071 p.s.i. 1 1/4" embedment 3" E.D.	W/MIN. REQ'D. G = 0.55 1 7/8" Thread. Penet. 3/4" E.D.		
30.00 OR LESS	8"	4 1/2"	7"	6 1/2"	N/A	7"	12' - 7"	G-G
30.00 - 45.00	6 1/2"	N/A	5"	5"	N/A	5"		
45.00 - 60.00	5 1/2"	N/A	4 1/2"	4"	N/A	4 1/2"		
37.50 OR LESS	5"	N/A	3 1/2"	N/A	N/A	3 1/2"	8' - 7"	I-I
37.50 - 56.25	N/A	N/A	2 1/2"	N/A	N/A	2 1/2"		
56.25 - 75.00	N/A	N/A	2 1/2"	N/A	N/A	2 1/2"		

MAXIMUM A.S.D. DESIGN PRESSURE RATING (p.s.f.)	K 1/4"Ø ALL POINT SOLID-SET		K1 1/2"Ø ELCO PANELMATE "L" INSERT			MAXIMUM PANEL SPAN (ft.)	APPLICABLE TO SECTIONS & ANY COMBINATION OF THEM
	TO CONCRETE	TO HOLLOW BLOCK	TO CONCRETE	TO GROUT FILLED BLOCK	TO HOLLOW BLOCK		
	W/MIN. REQ'D. f _c = 3000 p.s.i. 7/8" embedment 3" E.D.	W/MIN. REQ'D. f _m = 1800 p.s.i. 7/8" embedment 3" E.D.	W/MIN. REQ'D. f _c = 2071 p.s.i. 1 5/8" embedment 4" E.D.	W/MIN. REQ'D. f _m = 2676 p.s.i. 1 1/4" embedment 3 1/2" E.D.	W/MIN. REQ'D. f _m = 1794 p.s.i. 1 1/4" embedment 3 1/2" E.D.		
30.00 OR LESS	8"	6"	8"	8"	8"	12' - 7"	G-G
30.00 - 45.00	6"	4 1/2"	7"	5 1/2"	5 1/2"		
45.00 - 60.00	5"	3 1/2"	5 1/2"	4 1/2"	4 1/2"		
37.50 OR LESS	4 1/2"	3 1/2"	5"	4 1/2"	4 1/2"	8' - 7"	I-I
37.50 - 56.25	3 1/2"	N/A	4"	3 1/2"	3 1/2"		
56.25 - 75.00	3"	N/A	3 1/2"	3"	N/A		

NOTE: EMBEDMENT AND EDGE DISTANCE ARE BEYOND ANY FINISH MATERIAL.

MAXIMUM A.S.D. DESIGN PRESSURE RATING (p.s.f.)	O 3/8"Ø ELCO MODIFIED CONFLX			M 5/16"Ø ELCO HANGER MATE		P 1/2"Ø POWER CALK-IN ANCHOR		MAXIMUM PANEL SPAN (ft.)	APPLICABLE TO SECTIONS & ANY COMBINATION OF THEM
	TO CONCRETE	TO GROUT FILLED BLOCK	TO HOLLOW BLOCK	TO CONCRETE	TO HOLLOW BLOCK	TO CONCRETE	TO HOLLOW BLOCK		
	W/MIN. REQ'D. f _c = 1819 p.s.i. 2 1/2" embedment 3 3/4" E.D.	W/MIN. REQ'D. f _m = 2400 p.s.i. 1 3/4" embedment 2 1/2" E.D.	W/MIN. REQ'D. f _m = 2400 p.s.i. 1 1/4" embedment 2 1/2" E.D.	W/MIN. REQ'D. f _c = 3650 p.s.i. 2" embedment 3 1/8" E.D.	W/MIN. REQ'D. f _m = 1872 p.s.i. 1 1/4" embedment 3 1/8" E.D.	W/MIN. REQ'D. f _c = 3000 p.s.i. 1 1/2" embedment 6" E.D.	W/MIN. REQ'D. f _m = 1500 p.s.i. 1 1/2" embedment 6" E.D.		
30.00 OR LESS	8"	6 1/2"	4 1/2"	8"	5 1/2"	8"	8"	12' - 7"	G-G
30.00 - 45.00	8"	4 1/2"	3 1/2"	8"	N/A	8"	6 1/2"		
45.00 - 60.00	8"	4"	2 1/2"	7"	N/A	8"	5 1/2"		
37.50 OR LESS	8"	3 1/2"	3"	6 1/2"	N/A	8"	5"	8' - 7"	I-I
37.50 - 56.25	8"	2 1/2"	2 1/2"	5"	N/A	7"	N/A		
56.25 - 75.00	8"	2 1/2"	N/A	N/A	N/A	6"	N/A		



©2011 TILTECO INC.
TILTECO INC.
TILLIT TESTING & ENGINEERING COMPANY
555 N.W. 36th St., Ste. 305 - VIRGINIA GARDENS, FL 33166
Phone: (305) 871-1530, Fax: (305) 871-1531
e-mail: tilteco@aol.com
EB-0006719
WALTER A. TILLIT JR., P.E.
FLORIDA Lic. # 44167

FLORIDA BUILDING CODE (Non High Velocity Hurricane Zone)

GPP FABRIC SHUTTER - SERIES 2000				L.G./A.G. DRAWN BY	
GLOBAL PROTECTION PRODUCTS, LLC.				12/01/11 DATE	
4800 S.W. 51 STREET DAVIE, FL 33314 PHONE: (954)689-7545, FAX: (954)689-8797				11-212 DRAWING N°	
REV N°	DESCRIPTION	DATE	REV N°	DESCRIPTION	DATE
1	OLD 08-158	12/01/11	3		
2			4		