

Installation Instructions for Door Two Sidelights and Half Round Transom

Installation of Door: The frame of the door unit is attached to the stud wall through the exterior brick mould using ten (10) #6 x 3" wood trim screws. These screws attach the unit to the 2 x 4 stud framing. The brick mould is attached to the door unit frame by seventy three (73) 18 gauge 2 inch trim nails.

The door unit is also installed to the 2 x 4 wall framing by five (5) # 8 x 3" wood screws on each side jamb that penetrate the jamb into the stud wall framing and six (6) # 8 x 3" wood screws penetrate the jamb on the half round transom and screw into the stud wall framing for a total of sixteen (16).

Three #8 x 2 1/2" wood screws are attached through the threshold and into the subfloor/framing.

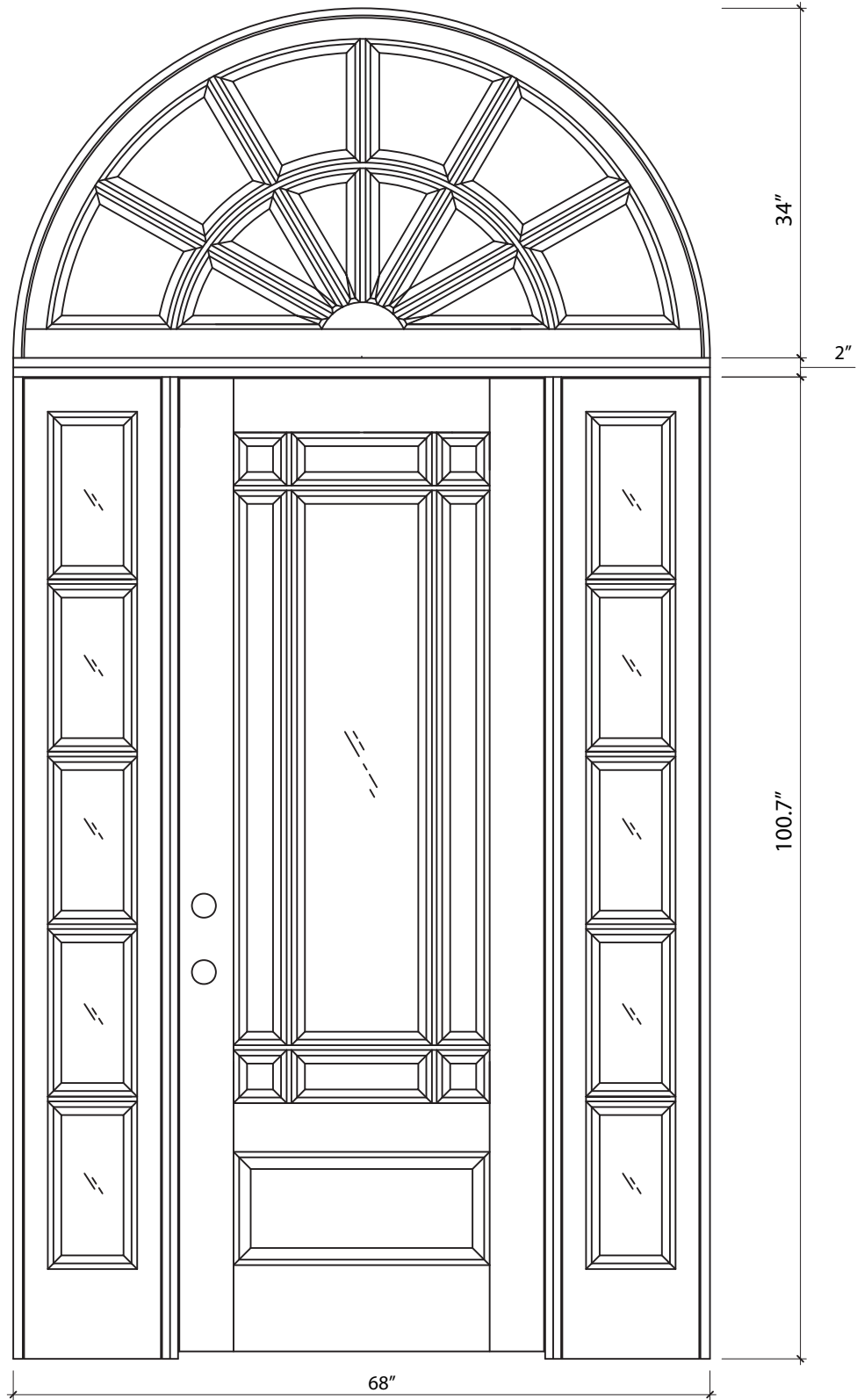
Sealant and Adhesives: Alex Ultra Acrylic Latex Sealant was used to seal the door frame assembly underneath the sill of the door frame.

Shims: During Installation, shims are to be placed behind each hinge and at top of header as necessary.

DOOR SIZE 1-3/4" x 36" x 96"

(45 x 914 x 2438 mm)

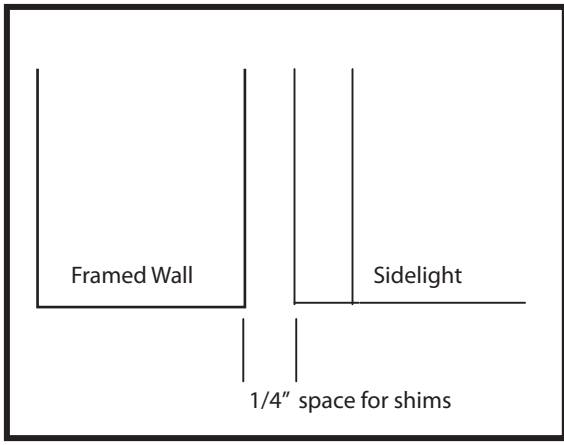
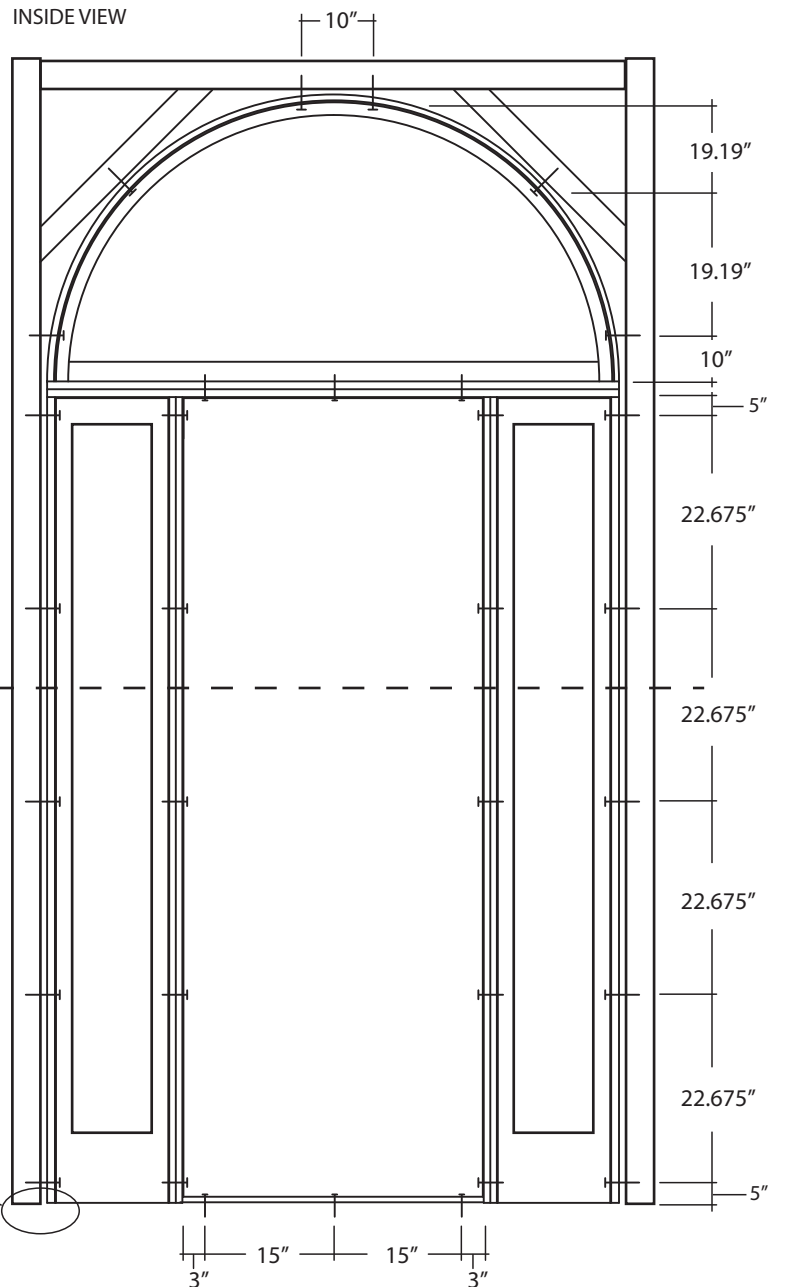
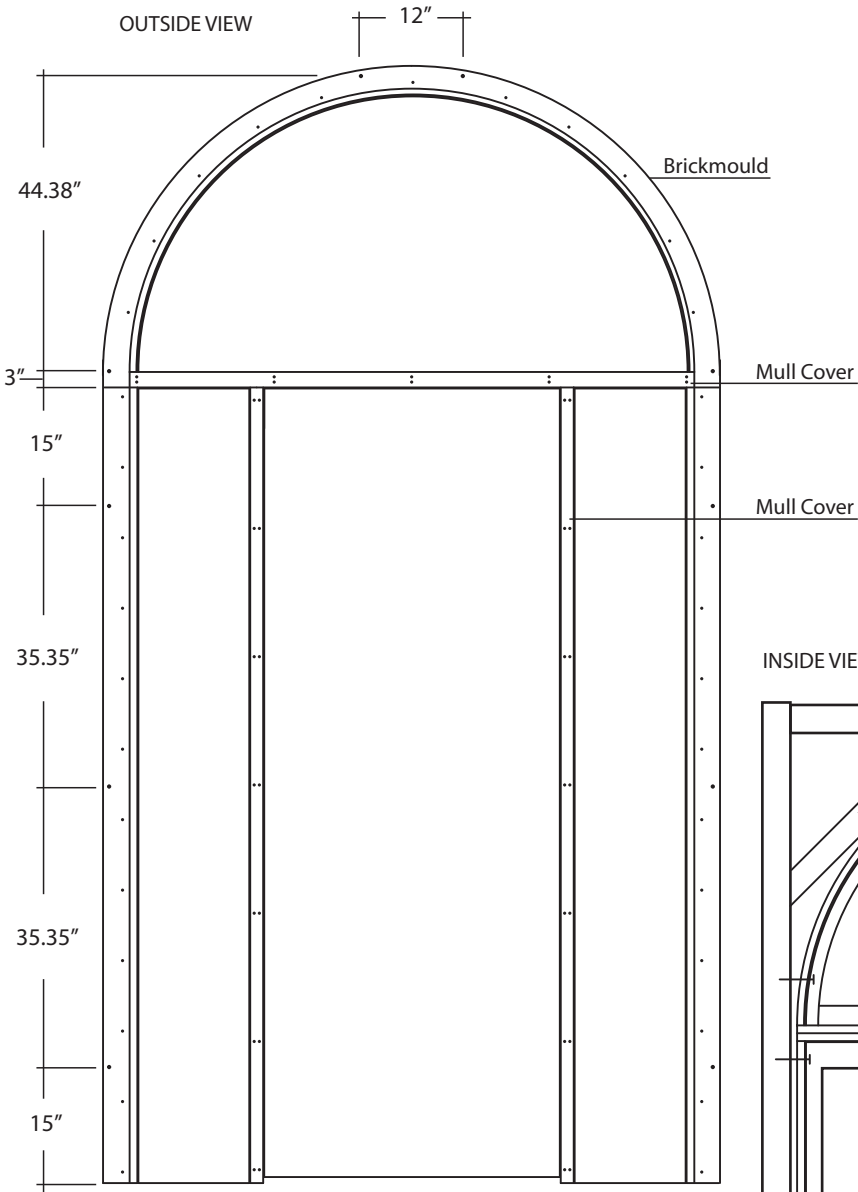
OUTSIDE VIEW

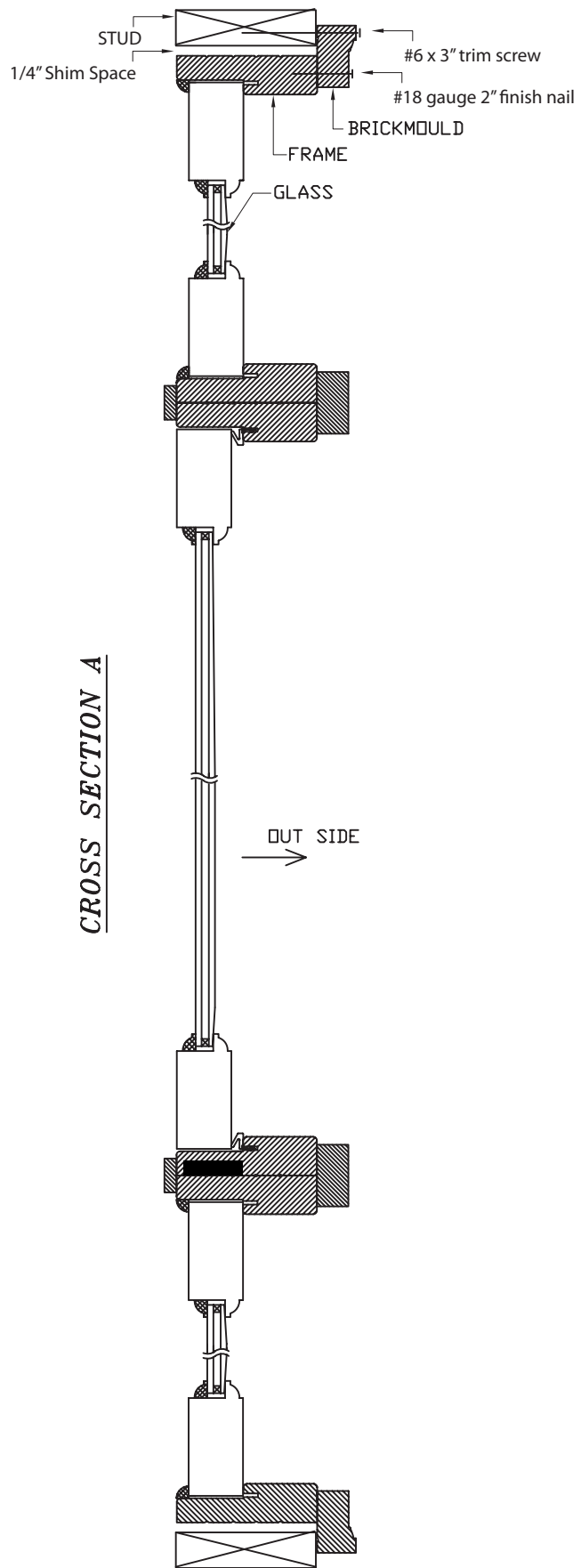


DSA		DATE	CUSTOMER : ASM
		11.07.11	DRAWN BY : GALIH
ALEXANDRIA 9 LT + SL 5 LT <i>Clear Bevel IG</i>		SCALE	: 1/15 / 1/3
		CONSTRUCT.	: DOWEL
		CHECKED BY	APPROVED BY
MAL TOP RAIL			
MAL MID RAIL			

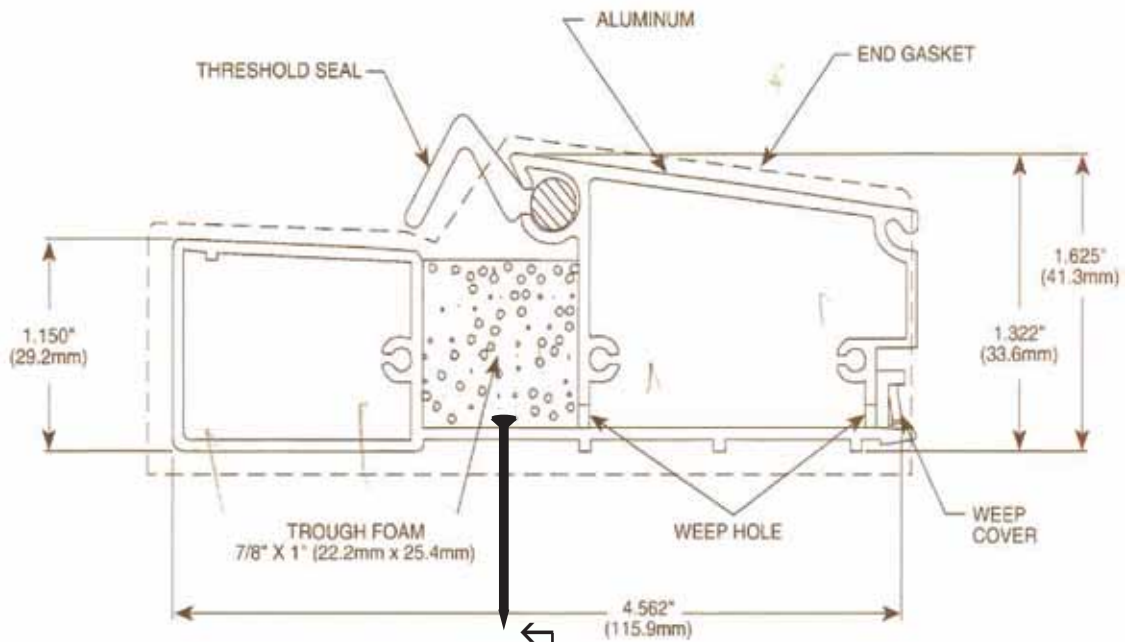
INSTALLATION DETAILS

	Qty	Item
·	73	18 gauge 2in finish nails
·	10	#6 x 3" trim screw
⊥	16	#8 x 3" wood screw
—	3	#8 x 2 1/2" wood screw





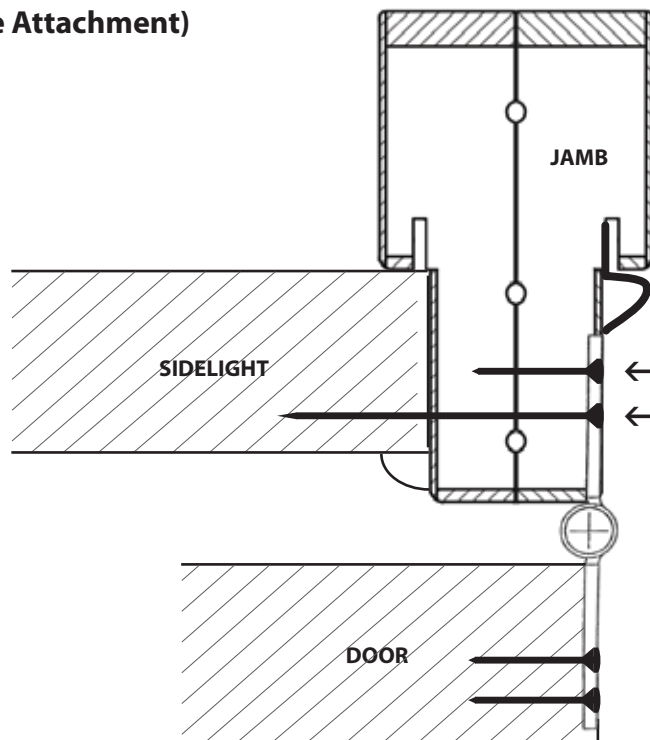
Installation of Threshold into Subfloor



#12 x 3" wood screws

- Screw penetrates through threshold into subfloor framing

TOP VIEW (Hinge Attachment)



← #12 x 1 1/4" wood screws

← #12 x 3" wood screws

- Penetrates each hinge and jambs into the sidelight.
- Screw to be installed into stud wall framing if single door application.