

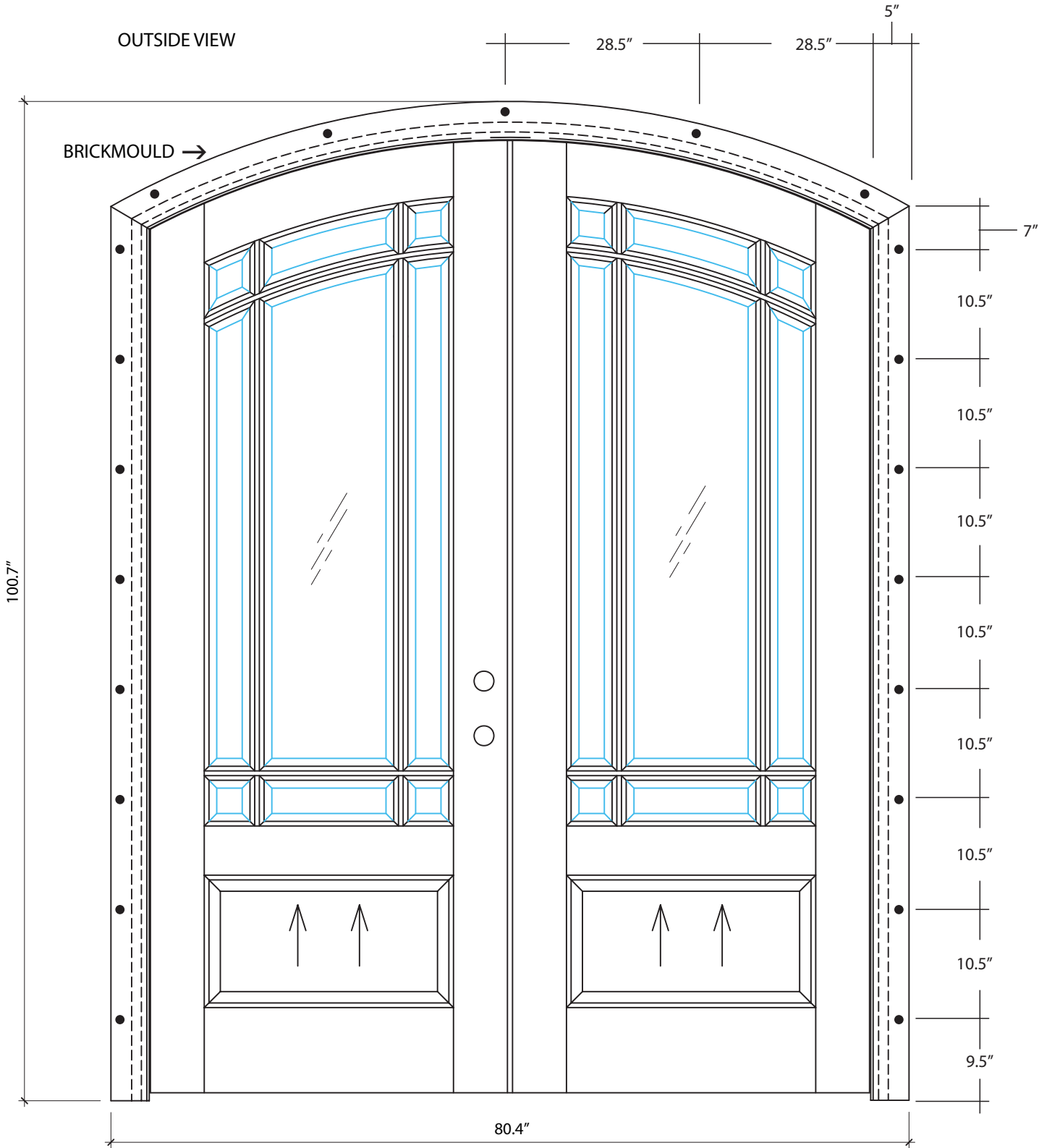
Double Door Installation Instructions

Installation of Door: frame: The frame of the door unit is attached to the stud wall through the exterior brick mould using twenty one (21) #7 x 1 5/8" drywall trim screws. Eight (8) of these screws are attached on each side brick mould pieces and are spaced 10.5" apart. Five (5) screws are attached through the top arched piece of brick mould. Through each hinge and through the jamb material on each side jamb two #12 x 3" wood screws are placed through each hinge and into the stud wall frame. The bottom of the test unit is attached through the sill using six (6) #8 x 2 1/2" galvanized wood screws. Alex Ultra Acrylic Latex Plus Silicone Sealant 230 Grade is applied to the bottom of the sill on the frame of the unit. Four (4) additional #7 x 1 5/8" trim screws are placed behind the weather strips on the side jambs through the door frame and into the 2x4 wall. Four (4) of the same trim screws are placed behind the weather stripping on the head jamb through the jamb and into the top header wall framing.

Sealant and Adhesives: Alex Ultra Acrylic Latex Sealant was used to seal the door frame assembly underneath the sill of the door frame.

Shims: Wood shims are placed behind each hinge and at necessary locations To ensure proper reveals during installation

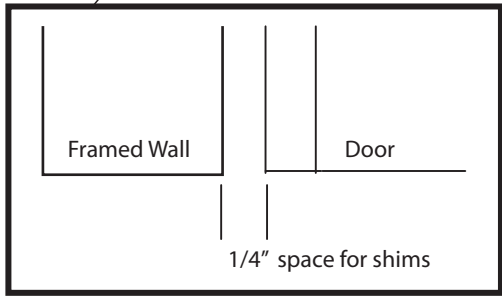
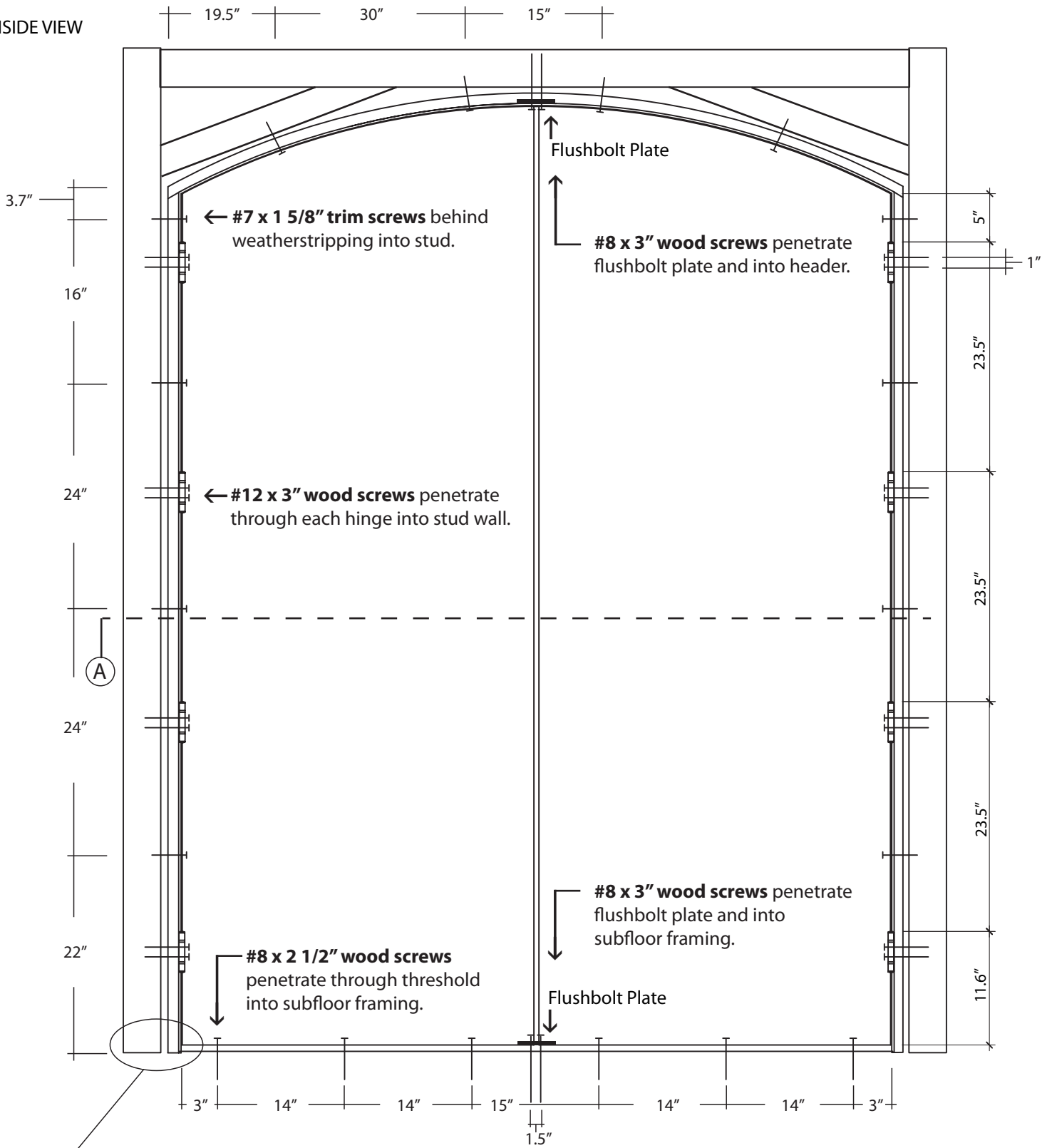
OUTSIDE VIEW



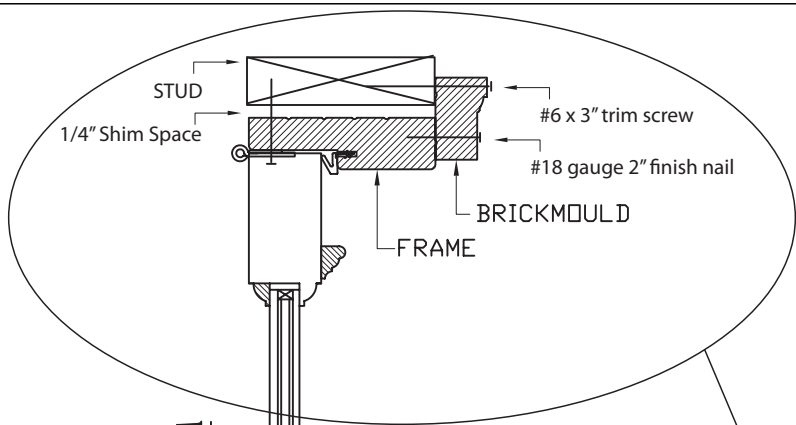
	Qty	Item
•	21	#7 x 1 5/8" Trim Screws

DSA		DATE	CUSTOMER : ASM
ASHEVILLE TDL PAIR Clear Bevel IG			DRAWN BY : WINARDI
			SCALE : 1:15 / 1:3
			CONSTRUCT. : DOWEL
			CHECKED BY : APPROVED BY
MALL TOP RAIL			
MALL MID RAIL			

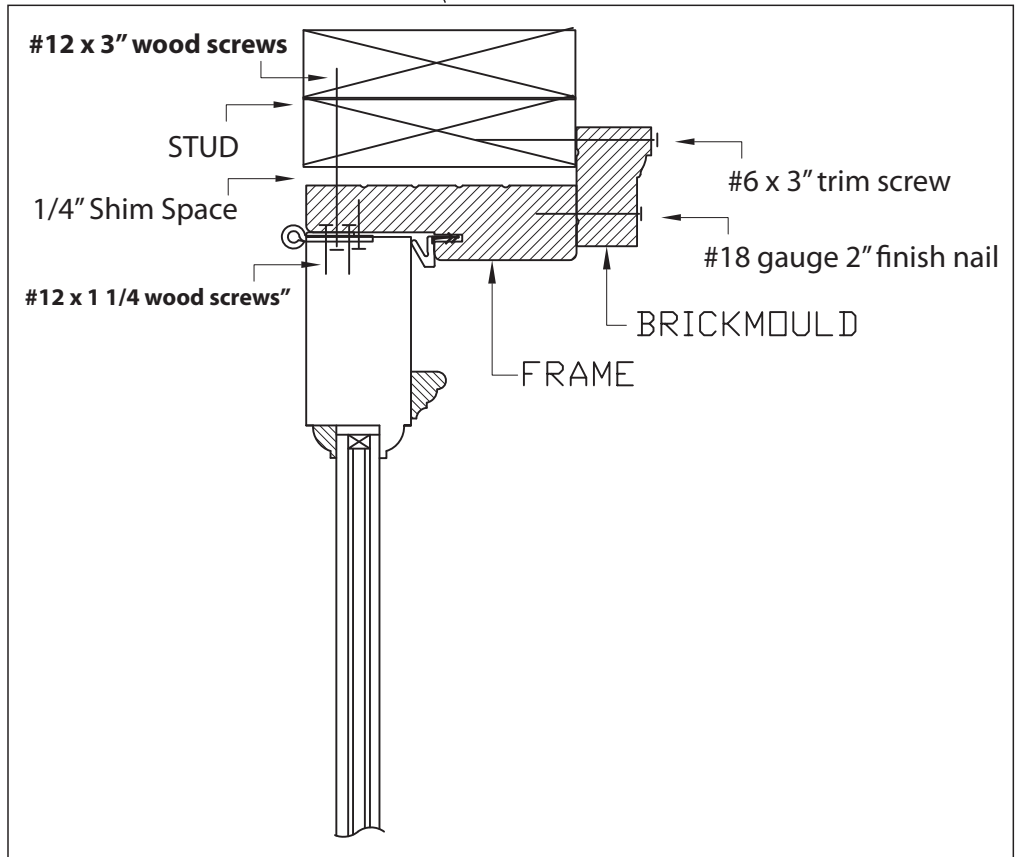
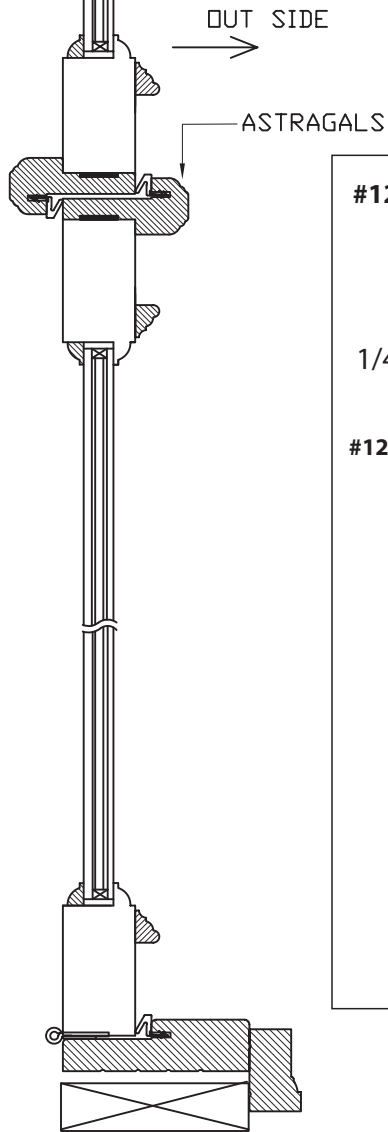
INSIDE VIEW



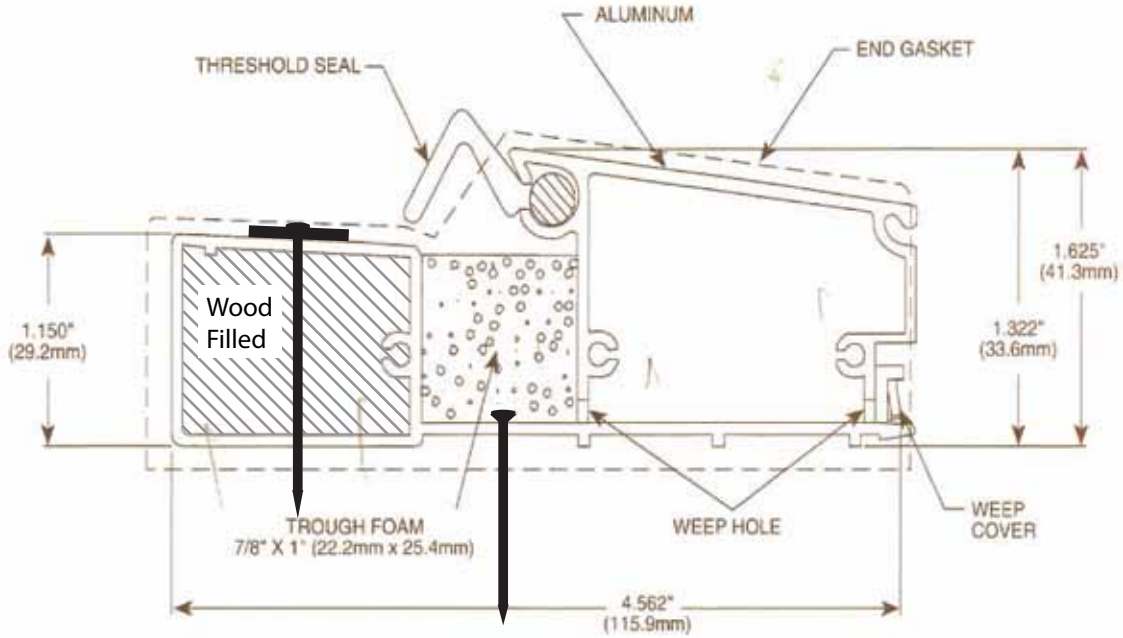
	Qty	Item
—	12	#7 x 1 5/8" trim screw
—	16	#12 x 3" wood screw
	4	#8 x 3" wood screw
	6	#8 x 2 1/2" wood screw



CROSS SECTION A



SCHLEGEL HYDROSILL MODEL 2200



THRESHOLD TOP VIEW

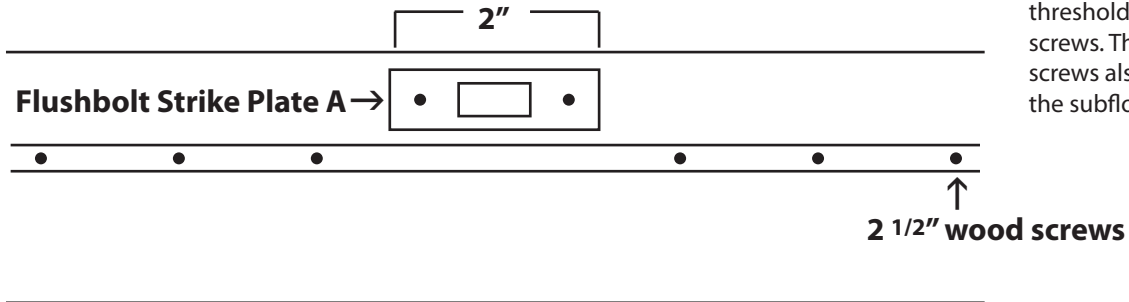


Plate A is mounted into the threshold by two 3" wood screws. The two 3" wood screws also penetrate into the subfloor.

HEAD JAMB VIEW

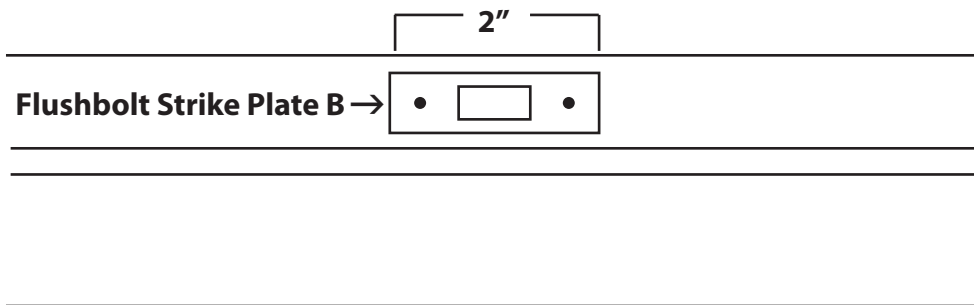


Plate B is mounted into the head jamb by two 3" wood screws. The two 3" wood screws also penetrate into the header framing.