



Construction No. 257 TGKX.257 Roof Deck Constructions

[Page Bottom](#)

Design/System/Construction/Assembly Usage Disclaimer

- Authorities Having Jurisdiction should be consulted in all cases as to the particular requirements covering the installation and use of UL Listed or Classified products, equipment, system, devices, and materials.
- Authorities Having Jurisdiction should be consulted before construction.
- Fire resistance assemblies and products are developed by the design submitter and have been investigated by UL for compliance with applicable requirements. The published information cannot always address every construction nuance encountered in the field.
- When field issues arise, it is recommended the first contact for assistance be the technical service staff provided by the product manufacturer noted for the design. Users of fire resistance assemblies are advised to consult the general Guide Information for each product category and each group of assemblies. The Guide Information includes specifics concerning alternate materials and alternate methods of construction.
- Only products which bear UL's Mark are considered as Classified, Listed, or Recognized.

Roof Deck Constructions

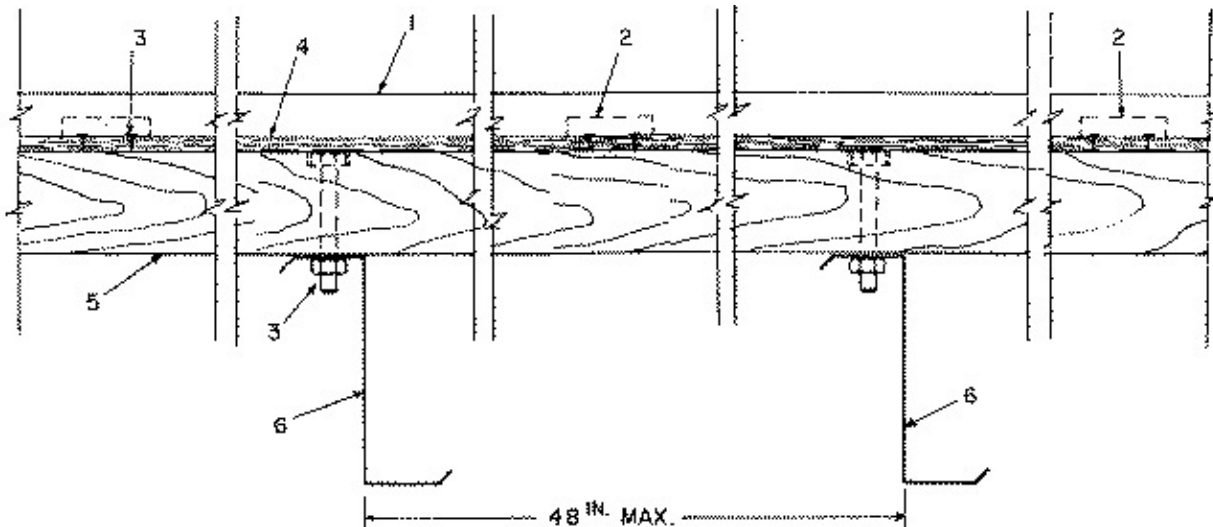
[See General Information for Roof Deck Constructions](#)

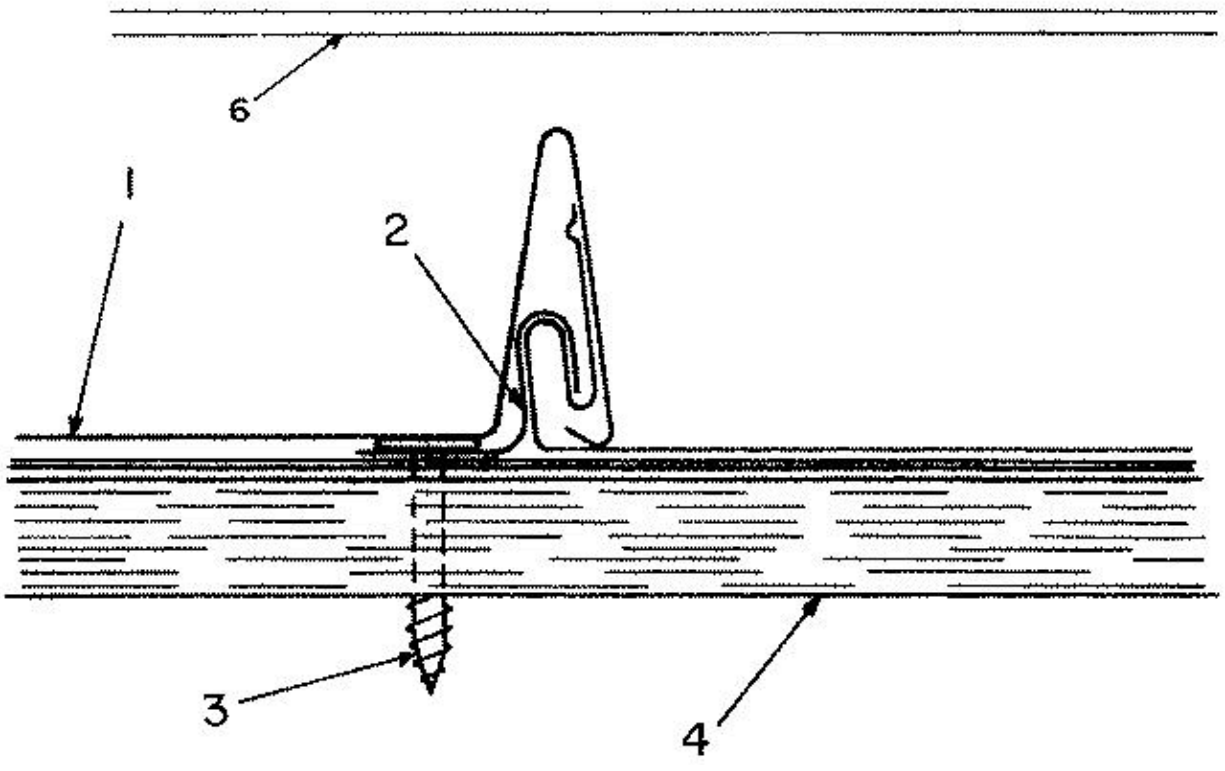
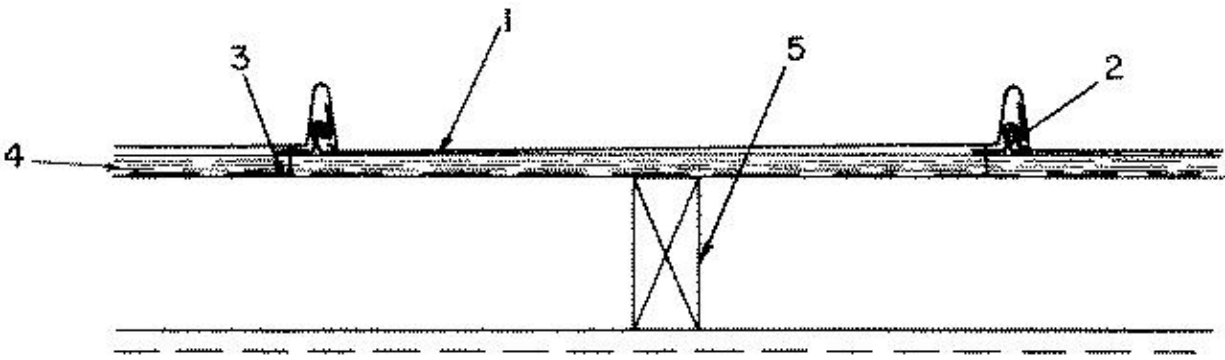
Construction No. 257

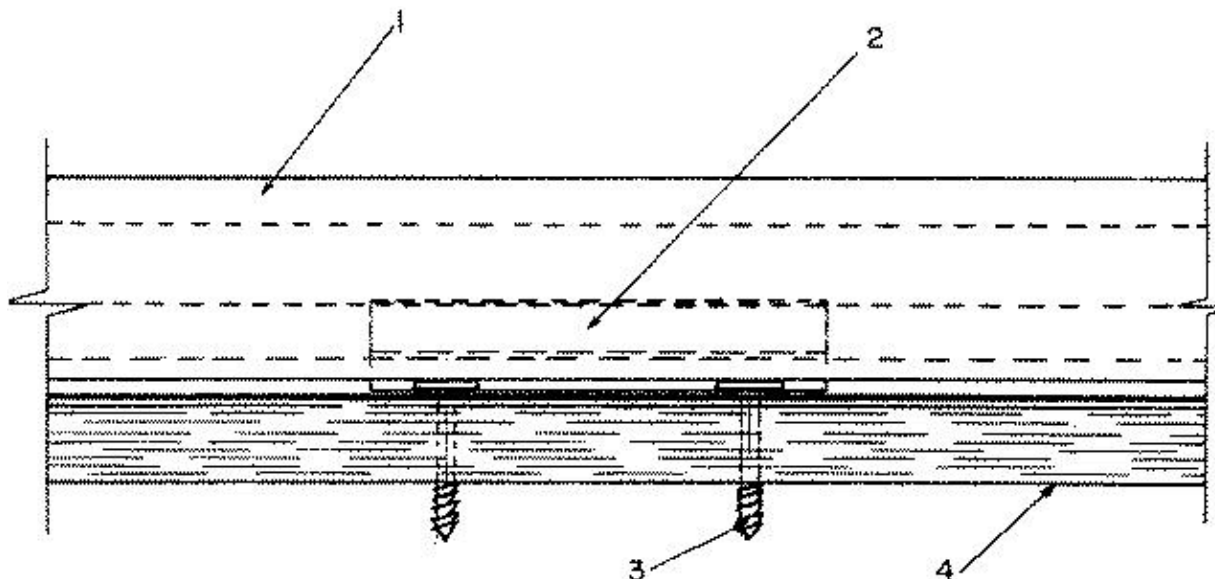
September 12, 2006

Uplift Class 60

Fire Not Investigated







1. **Metal Roof Deck Panels*** — 0.032 in. thick aluminum or No. 24 MSG coated steel, 16 in. wide, 1-3/8 in. high at the male rib. Panels continuous over two or more spans.

FABRAL INC ([View Classification](#)) — "Slim Seam 812", "Slim Seam 816", "1 1/2" SSR"

2. **Roof Deck Fasteners*** — (Panel Clips) — One piece assembly, fabricated from No. 22 MSG stainless steel; 3 in. wide with upper portion formed to engage male side of roof deck panel. Clips spaced 36 in. O.C.

FABRAL INC ([View Classification](#)) — "Slim Seam Clips" .

3. **Fasteners (Screws)** — Fasteners, used to fasten the panel clips to the wood sub-deck to be No. 14 by 1 in. long wafer head plated steel screws. Two screws per panel clip to be used. Fasteners used to attach the wood joist members to the purlins so be No. 20 by 6 in. long machine bolts located at each intersection. Plywood attached to joists with 8d nails spaced 6 in. OC.

4. **Deck** — Deck to be min nom 1/2 in. (15/32 in.) thick standard sheathing, 32-16 plywood.

5. **Wood Joists** — Joists to be min nom 2 by 4 in. (1-1/2 by 3-1/2 in. actual) wood members spaced a max of 18 in. OC.

6. **Purlins** — No. 14 MSG min gauge steel (50,000 psi min yield strength) spacing to be a max of 48 in. OC.

Refer to General Information, Roof Deck Constructions, (Roofing Materials and Systems Directory) for items not evaluated.

*Bearing the UL Classification Mark

Last Updated on 2006-09-12

[Questions?](#)

[Print this page](#)

[Notice of Disclaimer](#)

[Page Top](#)

© 2012 UL LLC

The appearance of a company's name or product in this database does not in itself assure that products so identified have been manufactured under UL's Follow-Up Service. Only those products bearing the UL Mark should be considered to be Listed and covered under UL's Follow-Up Service. Always look for the Mark on the product.

UL permits the reproduction of the material contained in the Online Certification Directory subject to the following conditions: 1. The Guide Information, Designs and/or Listings (files) must be presented in their entirety and in a non-misleading manner, without any manipulation of the data (or drawings). 2. The statement "Reprinted from the Online Certifications Directory with permission from UL" must appear adjacent to the extracted material. In addition, the reprinted material must include a copyright notice in the following format: "© 2012 UL LLC".