

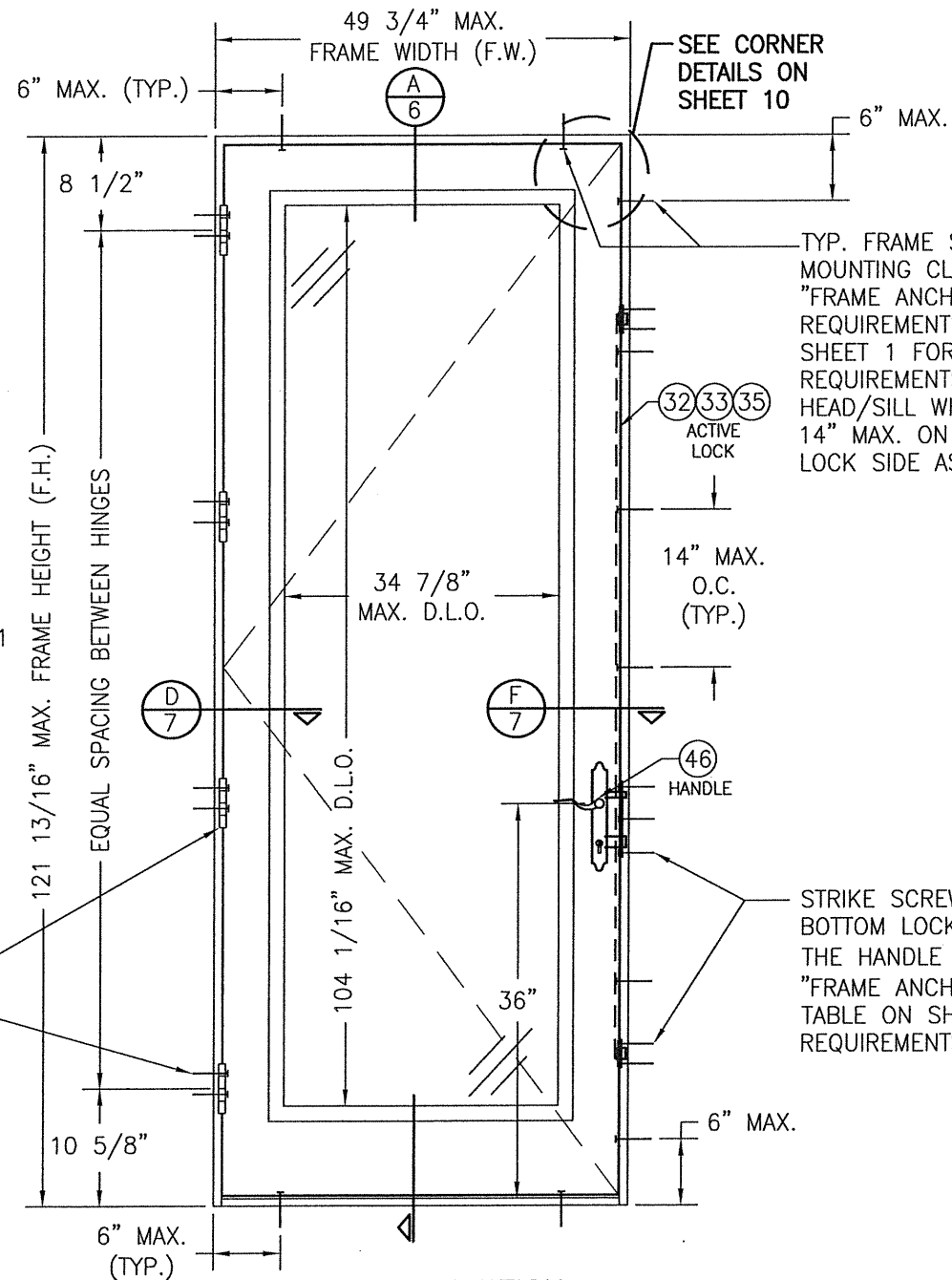
**INTERIOR ELEVATION
DOUBLE INSWING DOOR**
SCALE: 3/4"=1'-0"

SCREWS THROUGH STRIKE PLATE INTO SUBSTRATE WITH STANDARD SILL & THRESHOLD OPTION 3 (3 PER STRIKE). WHEN THRESHOLD OPTIONS 2, 4 OR 5 ARE USED, THERE IS NO STRIKE PLATE AND ALL ANCHORS RUN THROUGH THE THRESHOLD & SUB-THRESHOLD ONLY INTO SUBSTRATE.

HINGE SCREWS INTO SUBSTRATE (2 PER HINGE). SEE "FRAME ANCHOR REQUIREMENTS TABLE" ON SHEET 1 FOR SCREW REQUIREMENTS.

WHEN SCREW MOUNTED, ADD THESE 2 SCREWS WHEN SILL SUBSTRATE IS WOOD

NOTE: DOORS MAY BE FULLY GLAZED AS SHOWN, PARTIALLY PANELED OR FULLY PANELED. SEE SHEET 4 ELEVATION FOR PANELED DOORS.



**INTERIOR ELEVATION
SINGLE INSWING DOOR**
SCALE: 3/4"=1'-0"

NOTE: SINGLE DOOR SHOWN HAS THE 3-POINT LOCK SYSTEMS. AN ALTERNATE LOCK MAY BE EITHER A SINGLE POINT BALDWIN 6021 OR 6023 MORTISE LOCK IF THE DOOR FRAME SIZE IS 37 9/16" X 97 5/16" OR LESS.

NOTE: WHEN EITHER THE SINGLE POINT BALDWIN 6021 OR 6023 LOCK IS USED, THE ALLOWABLE PRESSURE ON THE DOOR MAY NOT EXCEED +/-60 PSF.

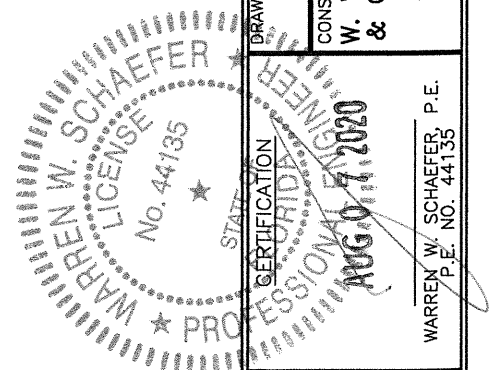
TYP. FRAME SCREW OR MOUNTING CLIP. SEE "FRAME ANCHOR REQUIREMENTS TABLE" ON SHEET 1 FOR SCREW REQUIREMENTS (2 AT THE HEAD/SILL WHERE SHOWN. 14" MAX. ON CENTER AT LOCK SIDE AS SHOWN.)

STRIKE SCREWS (2 PER TOP & BOTTOM LOCK STRIKE AND 3 AT THE HANDLE LOCK STRIKE). SEE "FRAME ANCHOR REQUIREMENTS TABLE ON SHEET 1 FOR SCREW REQUIREMENTS.

DRAWN BY:	W.W.S.	CHECKED BY:	W.W.S.
PLOT:	1=16	DATE:	09/03/14
NO.		REVISION DESCRIPTION	
DATE		BY	

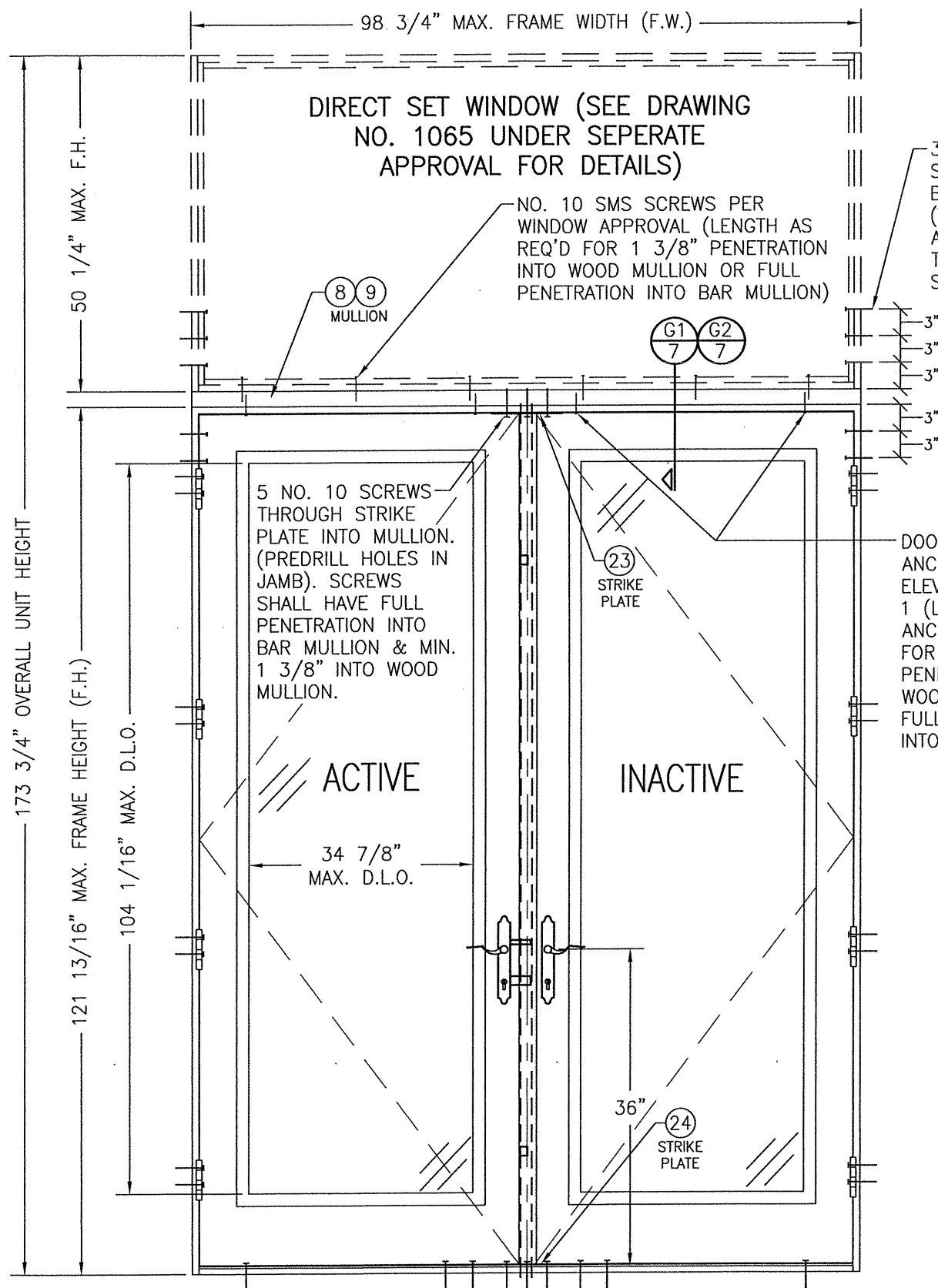
MANUFACTURER
SIGNATURE DOOR INC.
401 JUNIATA STREET
ALTOONA, PA 16602
814-949-2770

CONSULTANTS
W. W. SCHAEFER ENGINEERING & CONSULTING, P.A. (CA 6809)
7480 150TH COURT NORTH
PALM BEACH GARDENS, FL 33418
PHONE: 561-744-3424



DRAWING TITLE
10 FOOT WOOD INSWING IMPACT DOORS

DRAWING NO.	1888	REV.	D
SHEET NO.	2 OF 11		



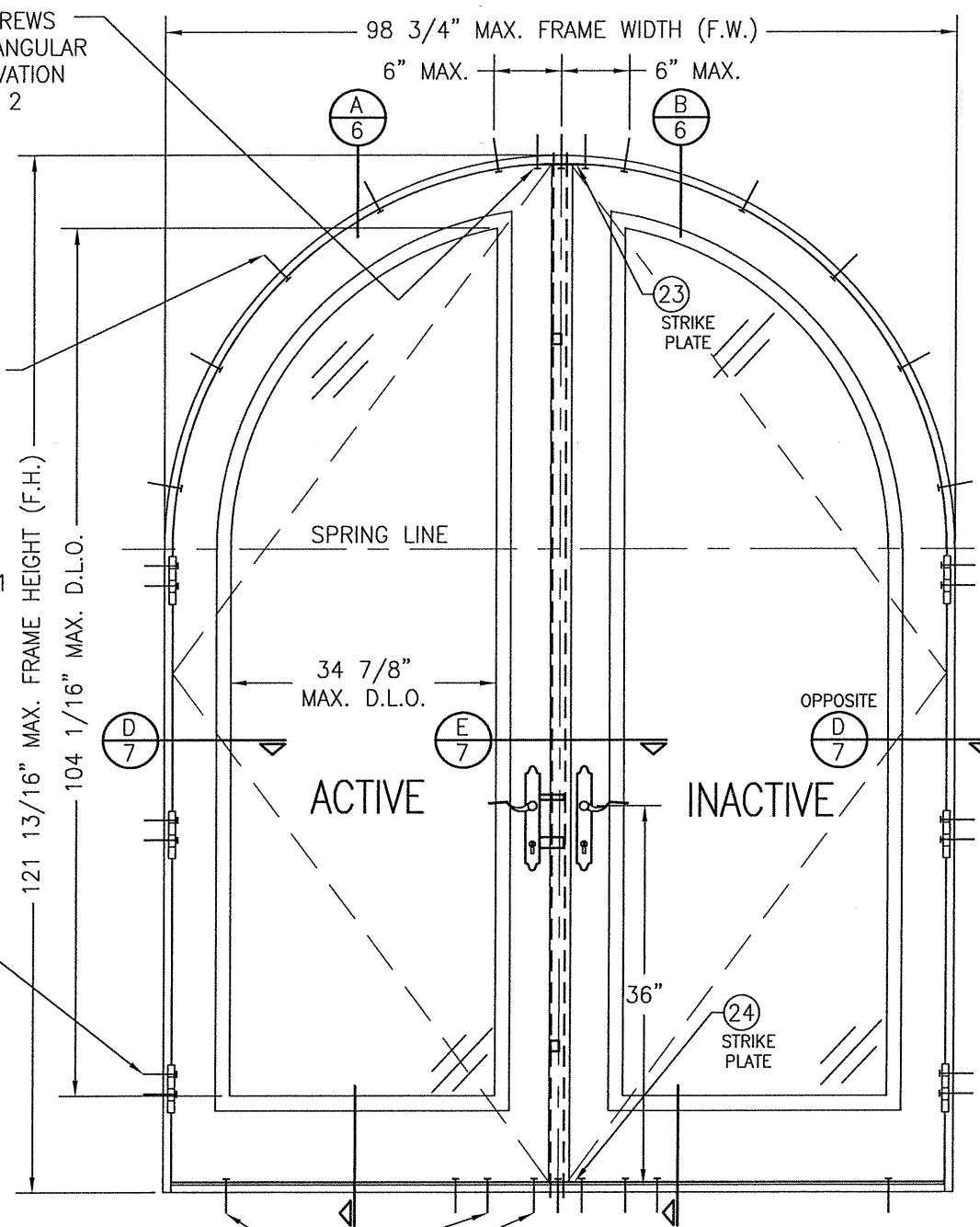
**INTERIOR ELEVATION
DOUBLE DOOR WITH TRANSOM**

SCALE: 3/4"=1'-0"

SEE DOUBLE DOOR ELEVATION ON SHEET 2 FOR DETAIL NOT SHOWN

SILL AND STRIKE
PLATE ANCHORS
PER ELEVATION ON
SHEET 2

STRIKE SCREWS
PER RECTANGULAR
DOOR ELEVATION
ON SHEET 2



**INTERIOR ELEVATION
DOUBLE HALF ROUND DOOR**

SCALE: 3/4"=1'-0"

SEE DOUBLE DOOR ELEVATION ON SHEET 2 FOR DETAIL NOT SHOWN

HINGE SCREWS
INTO SUBSTRATE
(2 PER HINGE).
SEE "FRAME
ANCHOR
REQUIREMENTS
TABLE" ON SHEET
1 FOR SCREW
REQUIREMENTS.

DOOR HEAD JAMB
ANCHORS PER DOOR
ELEVATION ON SHEET
1 (LENGTH OF
ANCHOR AS REQ'D
FOR 1 3/8"
PENETRATION INTO
WOOD MULLION OR
FULL PENETRATION
INTO BAR MULLION)

TYP. FRAME SCREW
OR MOUNTING CLIP
WITHIN 6" OF
SPRING LINE &
MAX. 16" O.C.
SEE "FRAME
ANCHOR
REQUIREMENTS
TABLE" ON SHEET 1
FOR SCREW
REQUIREMENTS.

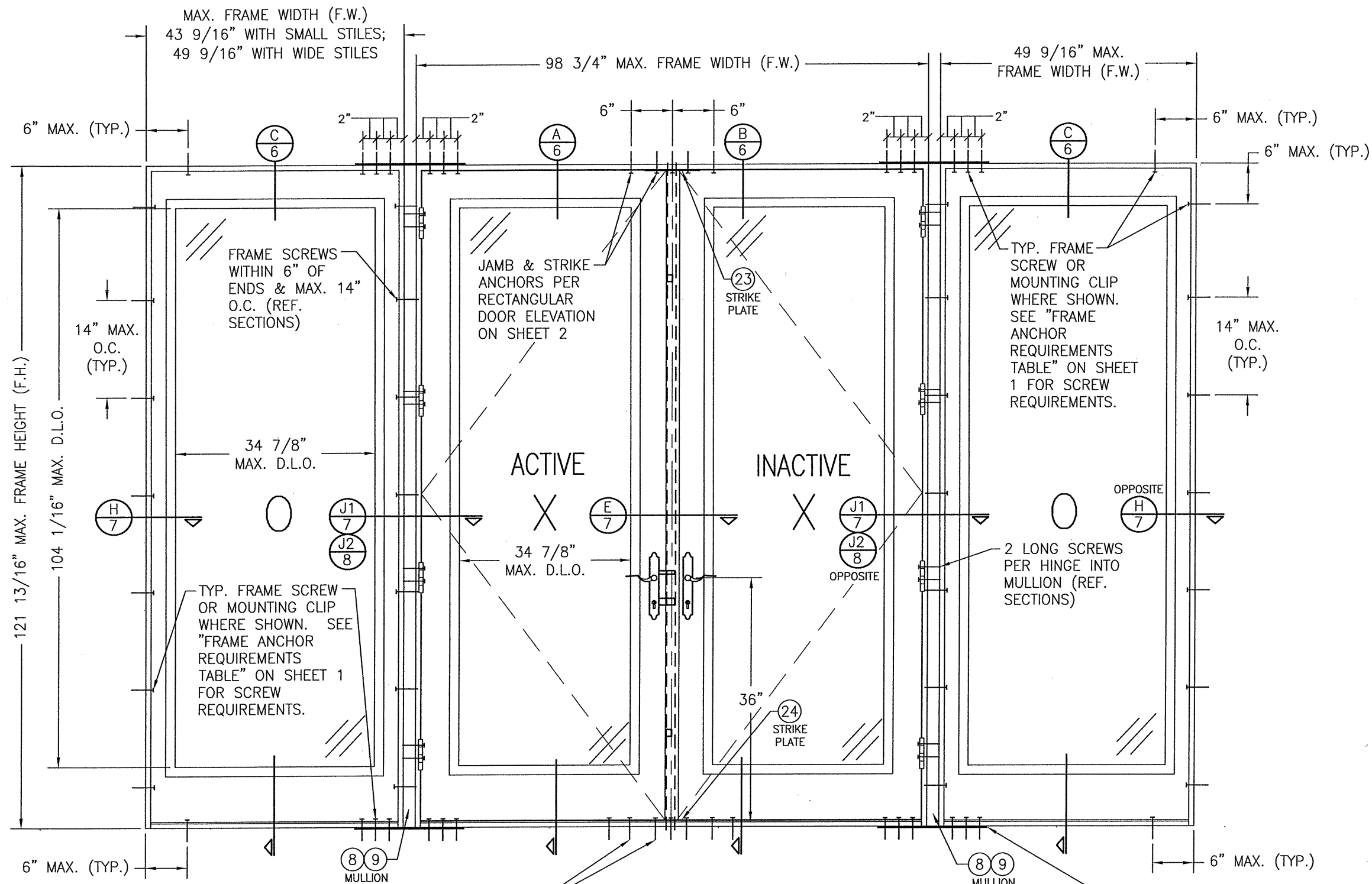
**DIRECT SET WINDOW (SEE DRAWING
NO. 1065 UNDER SEPERATE
APPROVAL FOR DETAILS)**

NO. 10 SMS SCREWS PER
WINDOW APPROVAL (LENGTH AS
REQ'D FOR 1 3/8" PENETRATION
INTO WOOD MULLION OR FULL
PENETRATION INTO BAR MULLION)

3 FRAME SCREWS AT TOP
SIDE OF MULLION & 2 AT
BOTTOM SIDE AS SHOWN
(TYP. EA. END). SEE "FRAME
ANCHOR REQUIREMENTS
TABLE" ON SHEET 1 FOR
SCREW REQUIREMENTS.

DRAWN BY: W.W.S.	CHECKED BY: W.W.S.
PLOT: 1=16	DATE: 09/03/14
NO.	REVISION DESCRIPTION
BY	DATE
DRAWING TITLE 10 FOOT WOOD INSWING IMPACT DOORS	
CONSULTANTS W. W. SCHAEFER ENGINEERING & CONSULTING, P.A. (CA 6809)	
MANUFACTURER SIGNATURE DOOR INC.	
7480 150TH COURT NORTH PALM BEACH GARDENS, FL 33418 PHONE: 561-744-3424	
401 JUNIATA STREET ALTOONA, PA 16602 814-949-2770	
CERTIFICATION STATE OF FLORIDA WARREN W. SCHAEFER LICENSE No. 44135 AUG 04 2020	WARREN W. SCHAEFER, P.E. P.E. NO. 44135
DRAWING NO. 1888	REV. D
SHEET NO. 3	OF 11

NOTE: DOORS MAY BE FULLY
GLAZED AS SHOWN, PARTIALLY
PANELED OR FULLY PANELED.
SEE SHEET 5 ELEVATION FOR
PANELED DOORS.



**INTERIOR ELEVATION
MULTIPLE OPERABLE/FIXABLE UNIT**

SCALE: 3/4"=1'-0"

(FOR ANY DETAIL NOT SHOWN, SEE ELEVATION ON SHEET 2)
NOTE: OXO DOOR SHOWN. ALL OTHER 4-PANEL CONFIGURATIONS
OF SINGLE/DOUBLE DOORS & SIDELIGHTS ALSO APPLY.

NOTE: DOORS MAY BE FULLY
GLAZED AS SHOWN, PARTIALLY
PANELED OR FULLY PANELED.
SEE SHEET 5 ELEVATION FOR
PANELED DOORS.

(26)
REINFORCEMENT PLATE FASTENED TO
WOOD MULLION WITH 2 NO. 10 X 2"
SMS EACH END OR TO STEEL BAR
MULLION WITH 2 NO. 10 X 1" SMS
SCREWS THREADED INTO BAR END.
(REQUIRED ONLY WITH OPERABLE TO
OPERABLE MULLED CONDITION. NOT
REQUIRED WITH SIDELIGHT
CONDITION.)

SILL AND STRIKE
PLATE ANCHORS
PER ELEVATION ON
SHEET 2

FRAME SCREWS
WITHIN 6" OF
ENDS & MAX. 14"
O.C. (REF.
SECTIONS)

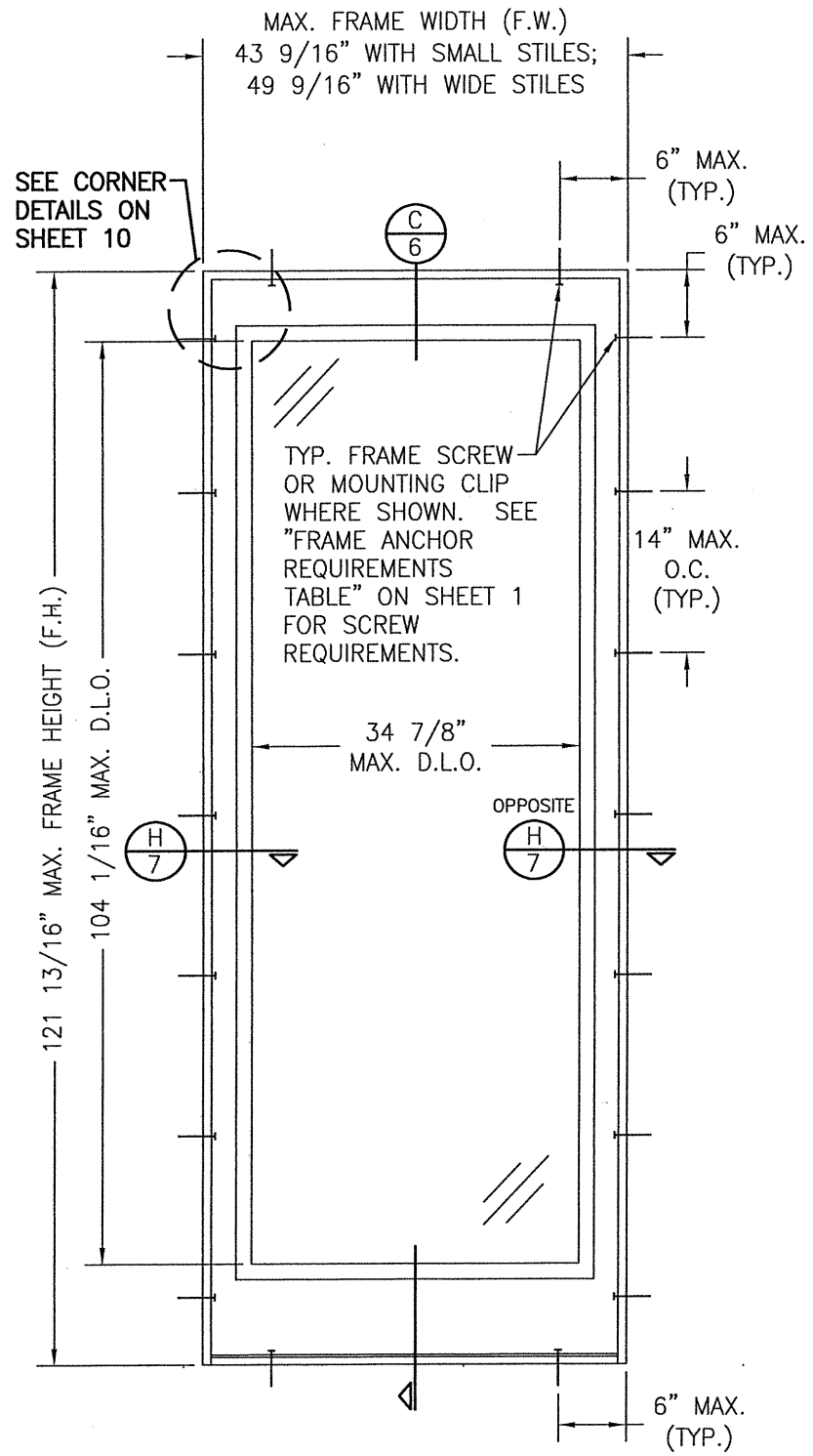
JAMB & STRIKE
ANCHORS PER
RECTANGULAR
DOOR ELEVATION
ON SHEET 2

TYP. FRAME
SCREW OR
MOUNTING CLIP
WHERE SHOWN.
SEE "FRAME
ANCHOR
REQUIREMENTS
TABLE" ON SHEET
1 FOR SCREW
REQUIREMENTS.

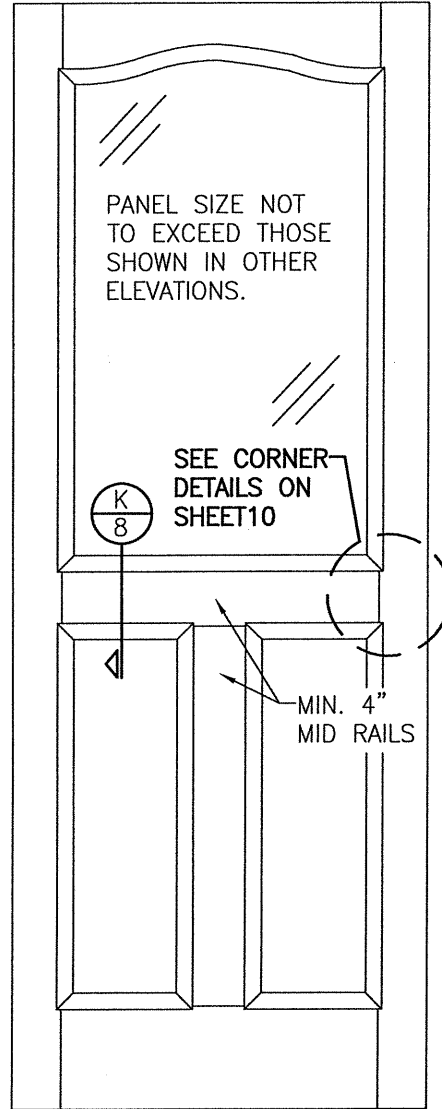
TYP. FRAME SCREW
OR MOUNTING CLIP
WHERE SHOWN. SEE
"FRAME ANCHOR
REQUIREMENTS
TABLE" ON SHEET 1
FOR SCREW
REQUIREMENTS.

2 LONG SCREWS
PER HINGE INTO
MULLION (REF.
SECTIONS)

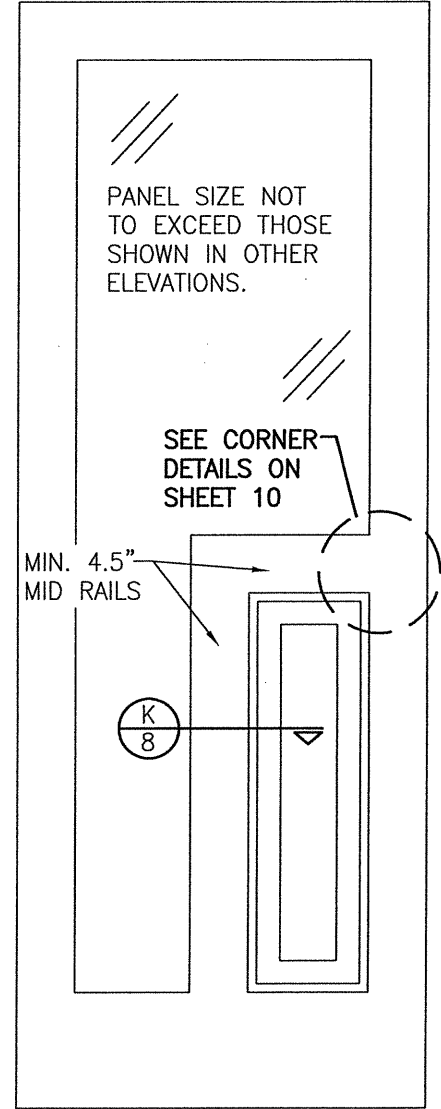
DRAWN BY: W.W.S.	CHECKED BY: W.W.S.
PLOT: 1=16	DATE: 09/03/14
NO.	REVISION DESCRIPTION
BY	DATE
DRAWING TITLE 10 FOOT WOOD INSWING IMPACT DOORS	
CONSULTANTS W. W. SCHAEFER ENGINEERING & CONSULTING, P.A. (CA 6809)	MANUFACTURER SIGNATURE DOOR INC. 401 JUNIATA STREET ALTOONA, PA 16602 814-949-2770
7480 150TH COURT NORTH PALM BEACH GARDENS, FL 33418 PHONE: 561-744-3424	
CERTIFICATION WARREN W. SCHAEFER LICENSE No. 44135 AUG 07 2020 PROFESSIONAL ENGINEER WARREN W. SCHAEFER, P.E. P.E. NO. 44135	
DRAWING NO. 1888	REV. D
SHEET NO. 4 OF 11	



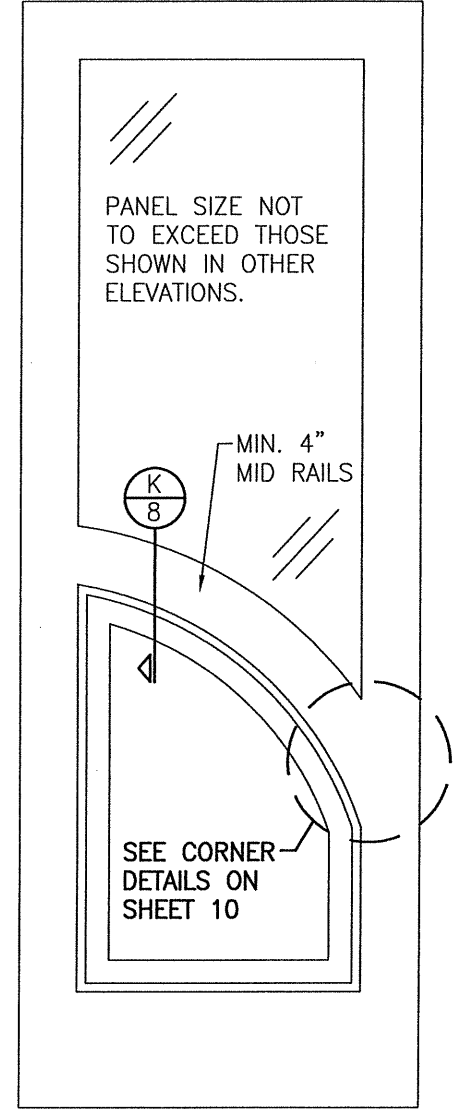
**INTERIOR ELEVATION
SINGLE FIXED PANEL**
SCALE: 3/4"=1'-0"



**INTERIOR ELEVATION SOLID
RAISED PANEL WITH
STANDARD MID RAILS**
SCALE: 3/4"=1'-0"

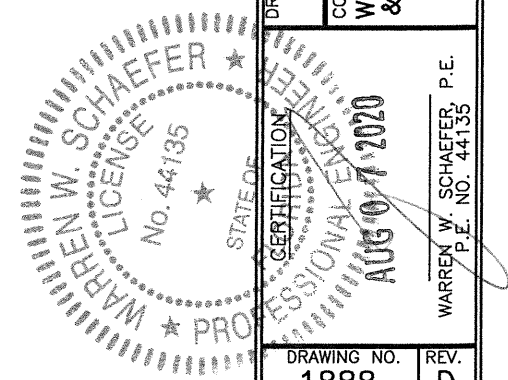


**INTERIOR ELEVATION SOLID
RAISED PANEL WITH
CORNERED MID RAILS**
SCALE: 3/4"=1'-0"

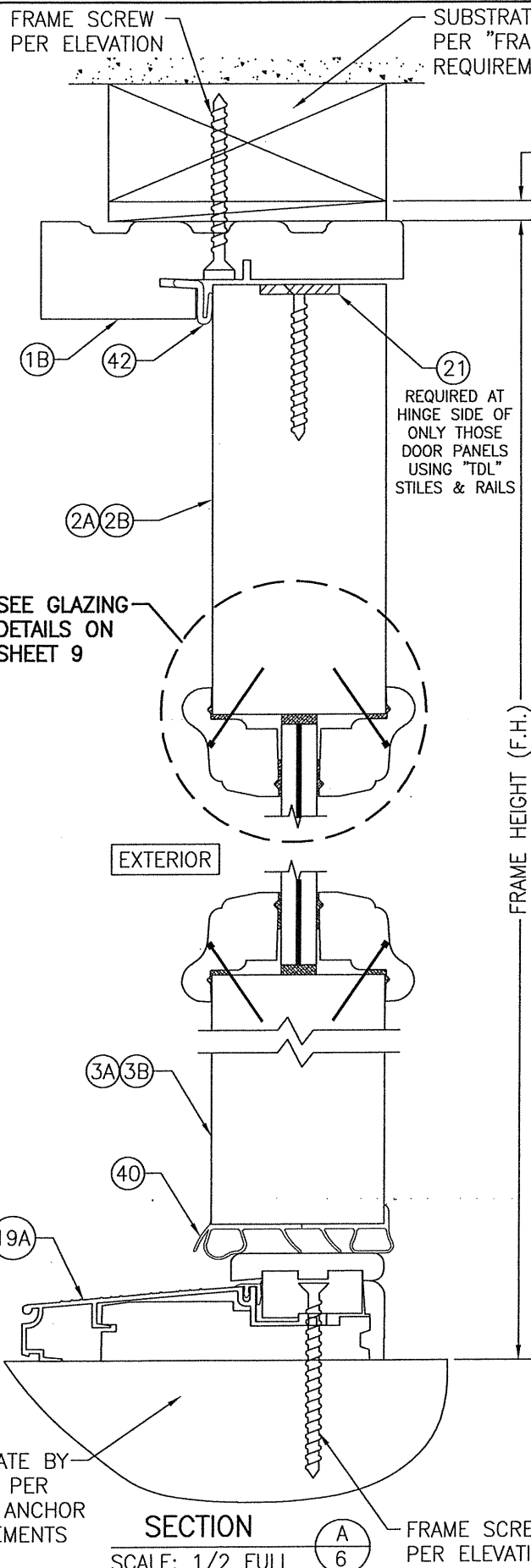


**INTERIOR ELEVATION
SOLID RAISED PANEL WITH
ARCHED/SHAPED MID RAILS**
SCALE: 3/4"=1'-0"

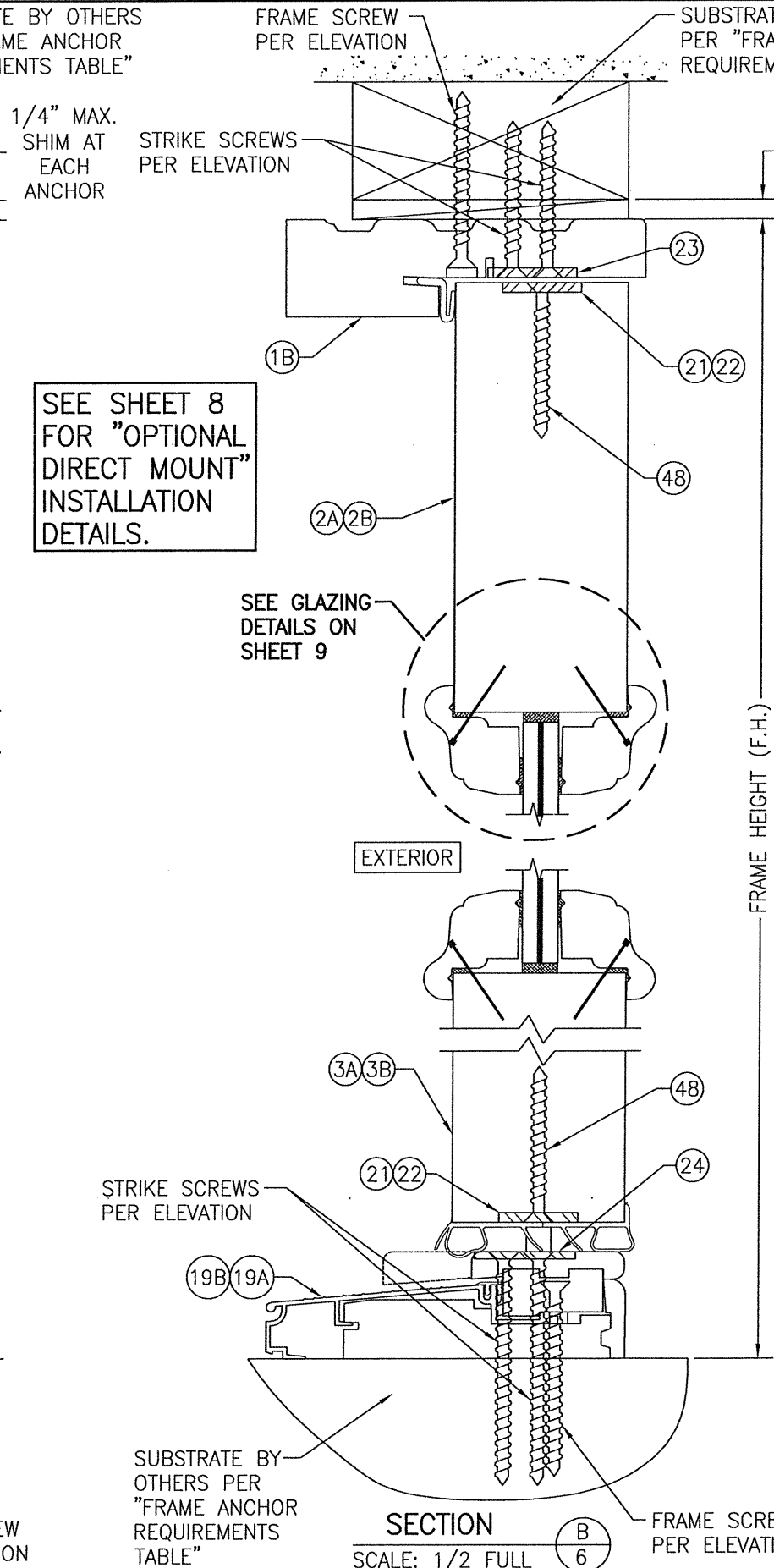
- 1) TOP & MID RAILS MAY BE OF ANY CONFIGURATION PROVIDING THE SMALLEST CROSS SECTION OF RAILS IS EQUAL TO OR LARGER THAN THAT DETAILED IN DRAWINGS.
- 2) MULTIPLE MID RAIL (BOTH HORIZONTAL & VERTICAL) MAY BE USED WITH THESE PANELS.
- 3) PARTIAL PANEL CONDITION IS SHOWN ABOVE. FULL PANEL DOORS AND OTHER PANEL CONFIGURATIONS ARE ALSO PART OF THIS APPROVAL AND ARE SIMILAR IN CONSTRUCTION TO THAT SHOWN ABOVE.
- 4) PANEL ONLY IS SHOWN. FOR INSTALLATION INTO FRAME, SEE OTHER ELEVATIONS.



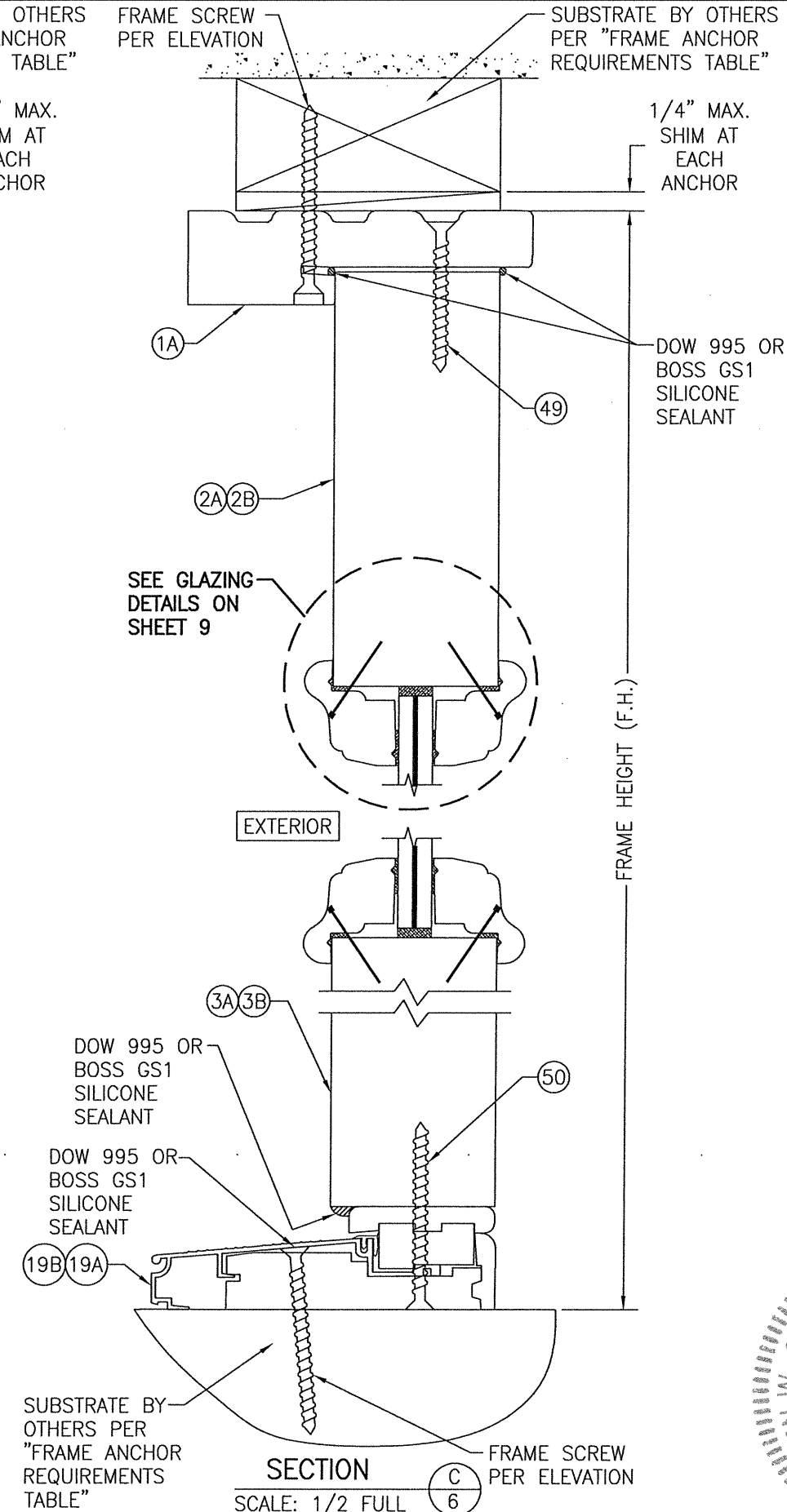
DRAWN BY: W.W.S.		CHECKED BY: W.W.S.	
PLOT: 1=16		DATE: 09/03/14	
NO.	REVISION DESCRIPTION	BY	DATE
DRAWING TITLE 10 FOOT WOOD INSWING IMPACT DOORS			
CONSULTANTS W. W. SCHAEFER ENGINEERING & CONSULTING, P.A. (CA 6809)		MANUFACTURER SIGNATURE DOOR INC. 401 JUNIATA STREET ALTOONA, PA 16602 814-949-2770	
7480 150TH COURT NORTH PALM BEACH GARDENS, FL 33418 PHONE: 561-744-3424			
WARREN W. SCHAEFER, P.E. P.E. NO. 44135		WARREN W. SCHAEFER, P.E. P.E. NO. 44135	
DRAWING NO.	REV.	SHEET NO.	
1888	D	5 OF 11	



SECTION A
SCALE: 1/2 FULL
SUBSTRATE BY OTHERS PER "FRAME ANCHOR REQUIREMENTS TABLE"
FRAME SCREW PER ELEVATION
(STANDARD THRESHOLD CONDITION SHOWN. SEE OTHER DETAILS ON SHEET 8 FOR ADA & OTHER THRESHOLD OPTIONS.)

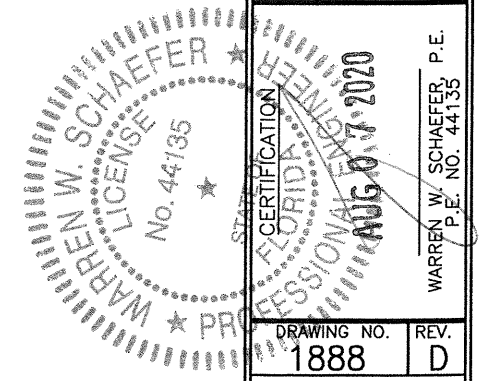


SECTION B
SCALE: 1/2 FULL
SUBSTRATE BY OTHERS PER "FRAME ANCHOR REQUIREMENTS TABLE"
FRAME SCREW PER ELEVATION
FOR DETAIL NOT SHOWN, SEE SECTION A/6.
(STANDARD THRESHOLD CONDITION SHOWN. SEE OTHER DETAILS ON SHEET 8 FOR ADA & OTHER THRESHOLD OPTIONS.)

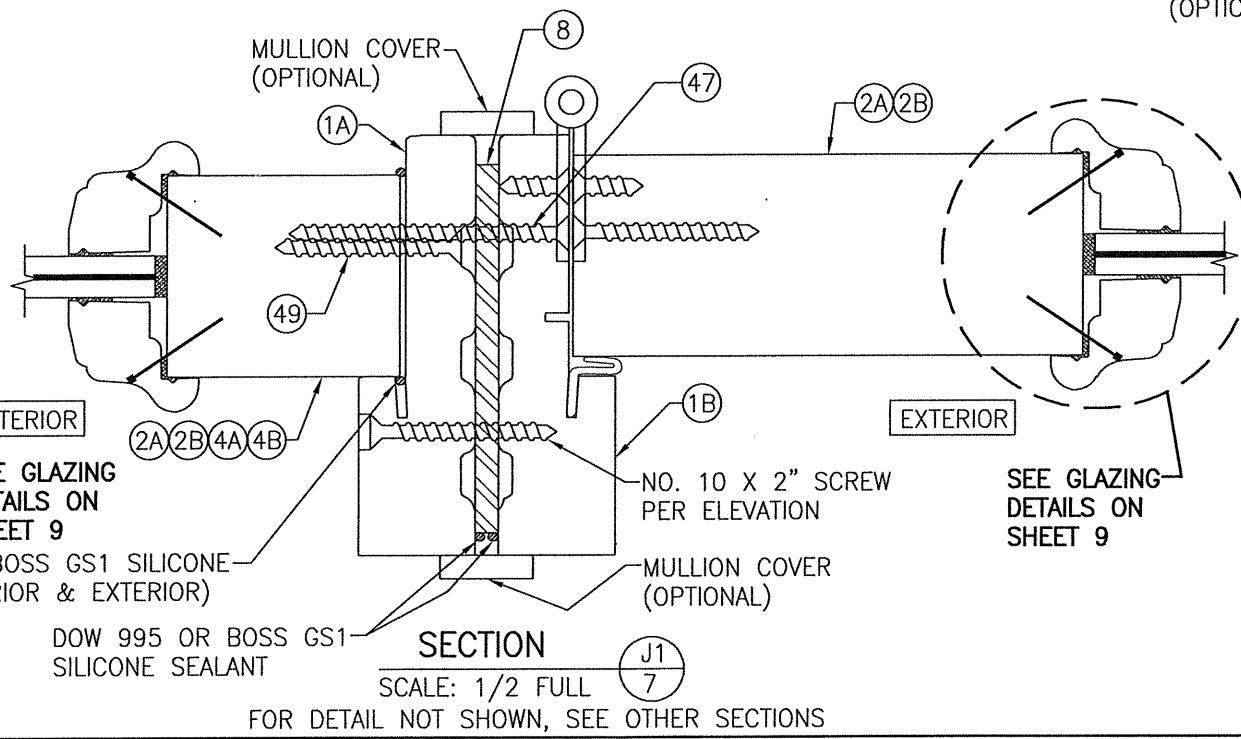
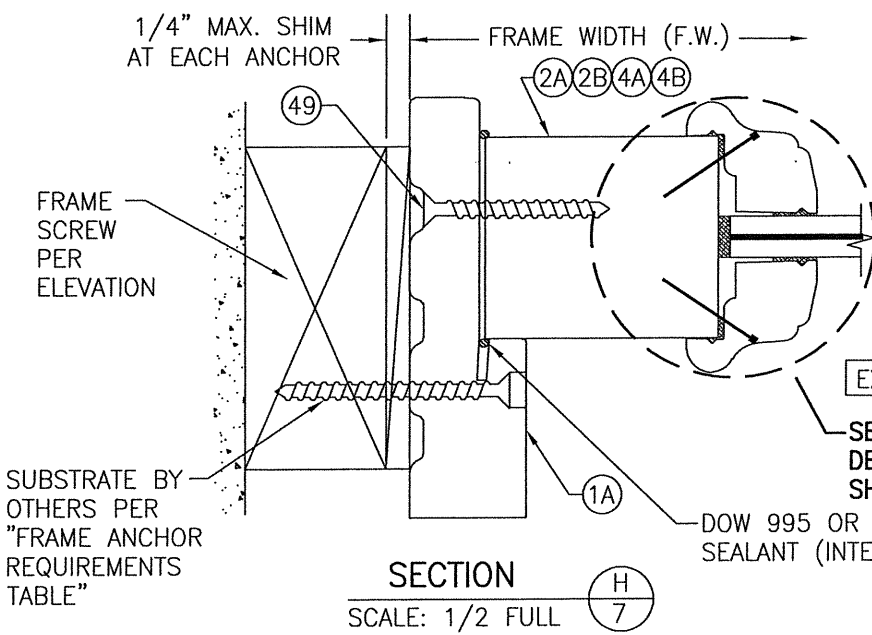
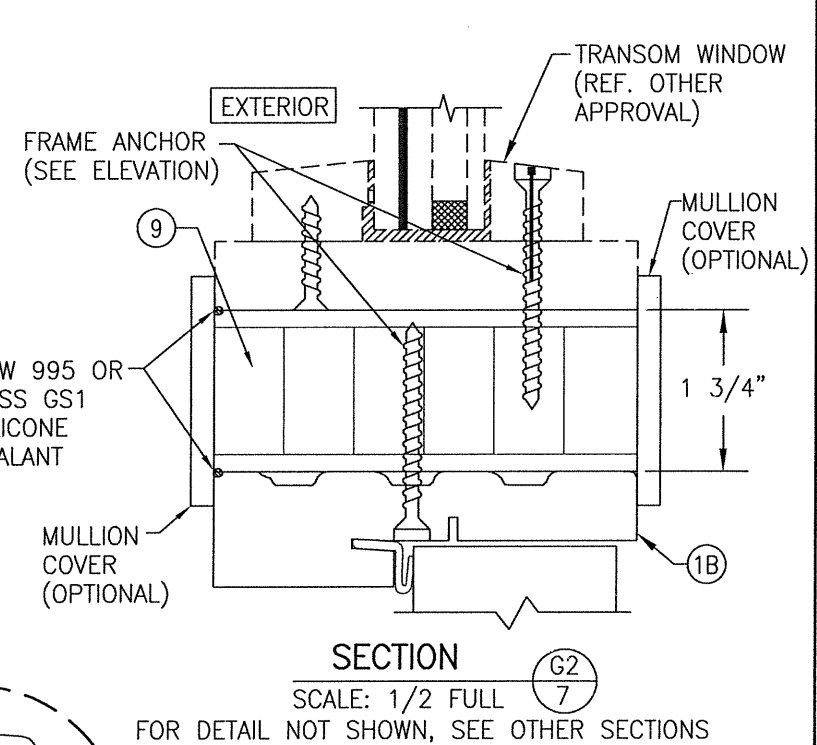
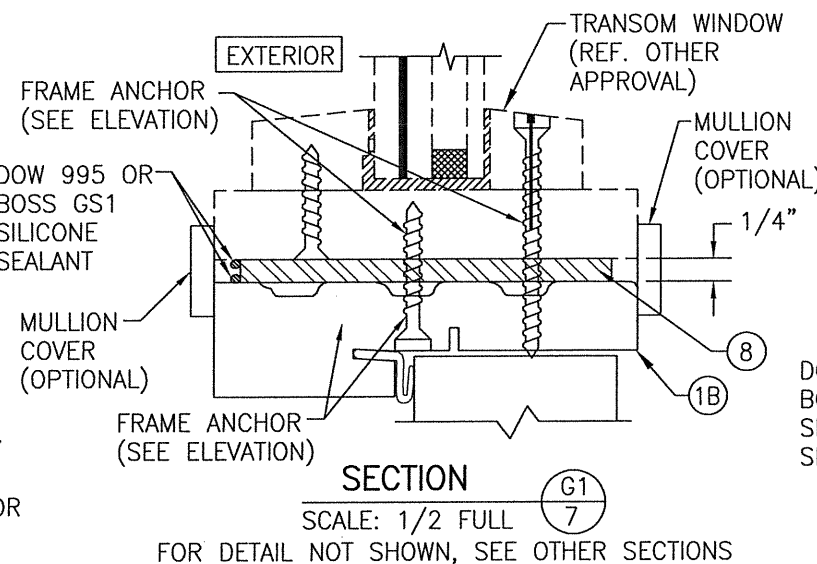
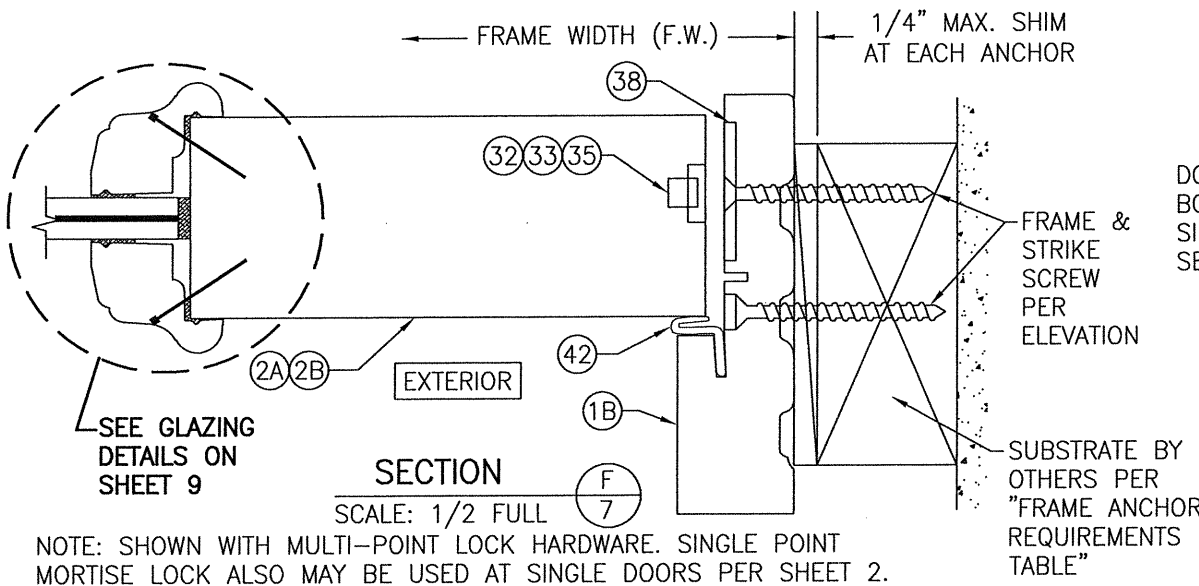
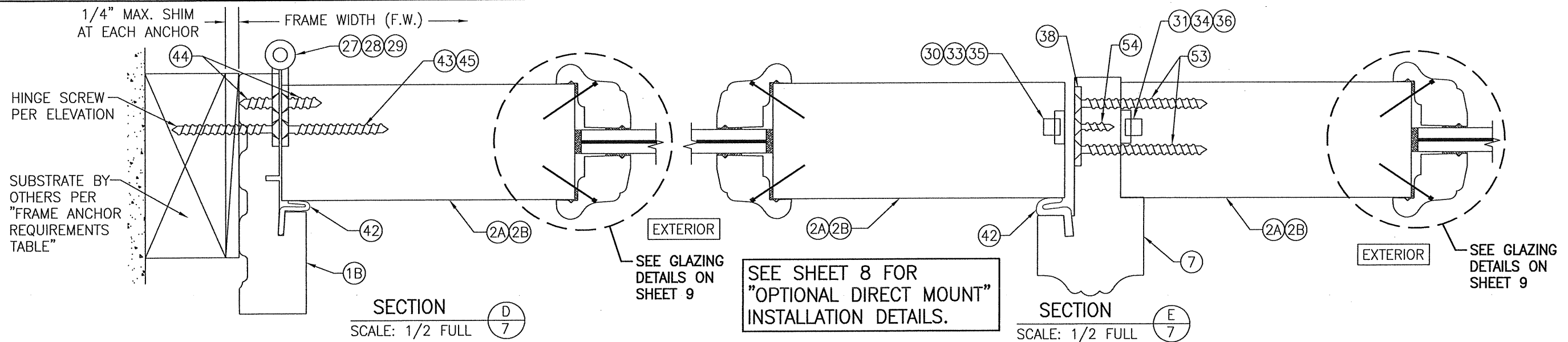


SECTION C
SCALE: 1/2 FULL
SUBSTRATE BY OTHERS PER "FRAME ANCHOR REQUIREMENTS TABLE"
FRAME SCREW PER ELEVATION
(STANDARD THRESHOLD CONDITION SHOWN. SEE OTHER DETAILS ON SHEET 8 FOR ADA & OTHER THRESHOLD OPTIONS.)

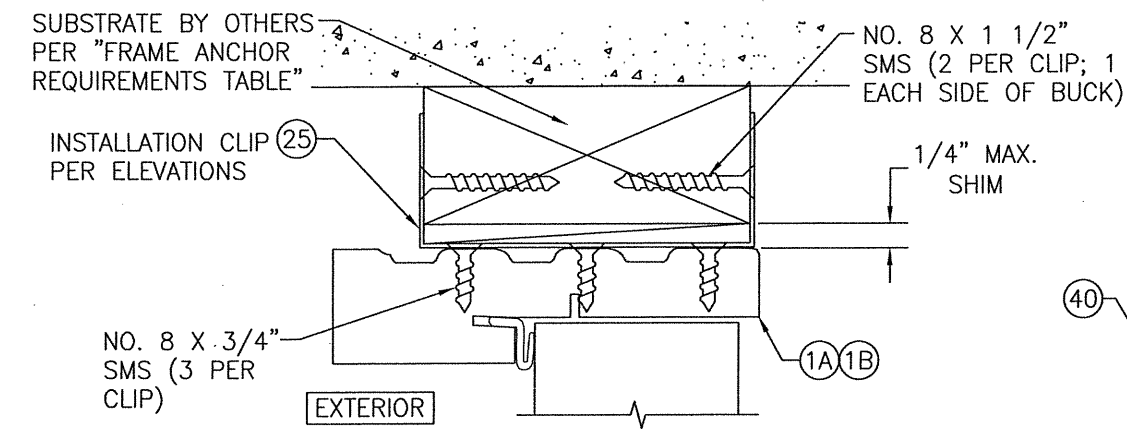
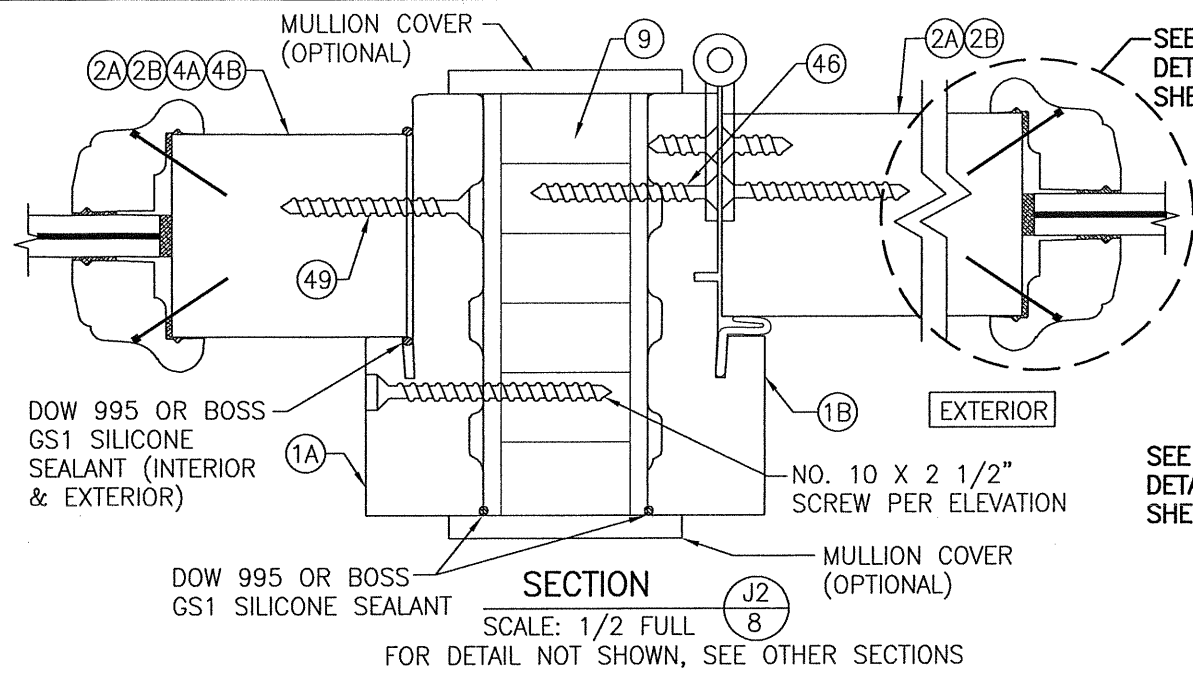
SEE SHEET 8 FOR "OPTIONAL DIRECT MOUNT" INSTALLATION DETAILS.



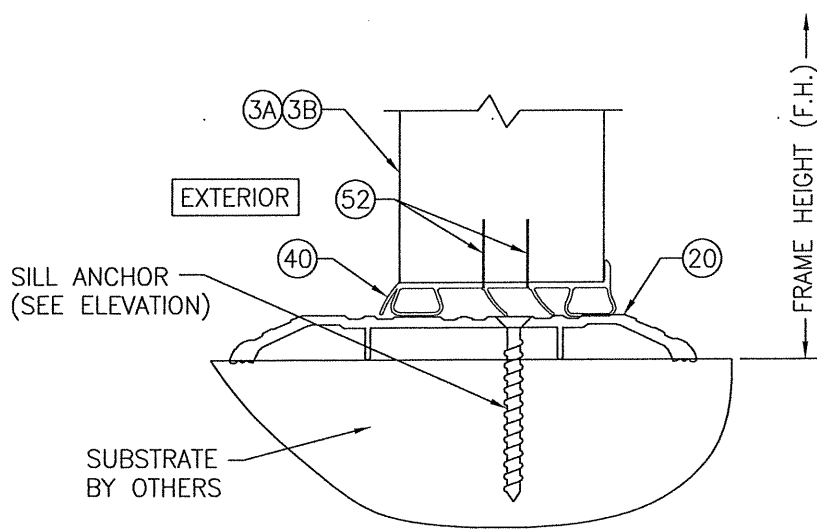
DRAWN BY: W.W.S.	CHECKED BY: W.W.S.
PLOT: 1=2	DATE: 09/03/14
NO.	REVISION DESCRIPTION
BY	DATE
DRAWING TITLE 10 FOOT WOOD INSWING IMPACT DOORS	
CONSULTANTS W. W. SCHAEFER ENGINEERING & CONSULTING, P.A. (CA 6809)	MANUFACTURER SIGNATURE DOOR INC.
7480 150TH COURT NORTH PALM BEACH GARDENS, FL 33418 PHONE: 561-744-3424	401 JUNIATA STREET ALTOONA, PA 16602 814-949-2770
CERTIFICATION STATE OF FLORIDA PROFESSIONAL ENGINEER WARREN W. SCHAEFER No. 44135 AUG 07 2020	WARREN W. SCHAEFER P.E. P.E. NO. 44135
DRAWING NO. 1888	REV. D
SHEET NO. 6 OF 11	



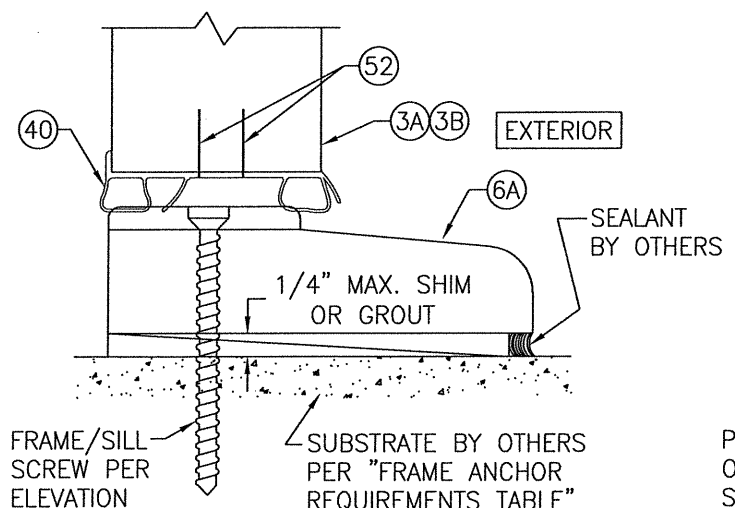
DRAWN BY: W.W.S.	CHECKED BY: W.W.S.
PLOT: 1=2	DATE: 09/03/14
NO.	REVISION DESCRIPTION
BY	DATE
DRAWING TITLE 10 FOOT WOOD INSWING IMPACT DOORS	
MANUFACTURER SIGNATURE DOOR INC. 401 JUNIATA STREET ALTOONA, PA 16602 814-949-2770	
CONSULTANTS W. W. SCHAEFER ENGINEERING & CONSULTING, P.A. (CA 6809) 7480 150TH COURT NORTH PALM BEACH GARDENS, FL 33418 PHONE: 561-744-3424	
CERTIFICATION WARREN W. SCHAEFER LICENSE No. 44135 PROFESSIONAL ENGINEER FLORIDA AUG 0 2020	
DRAWING NO. 1888	REV. D
SHEET NO. 7 OF 11	



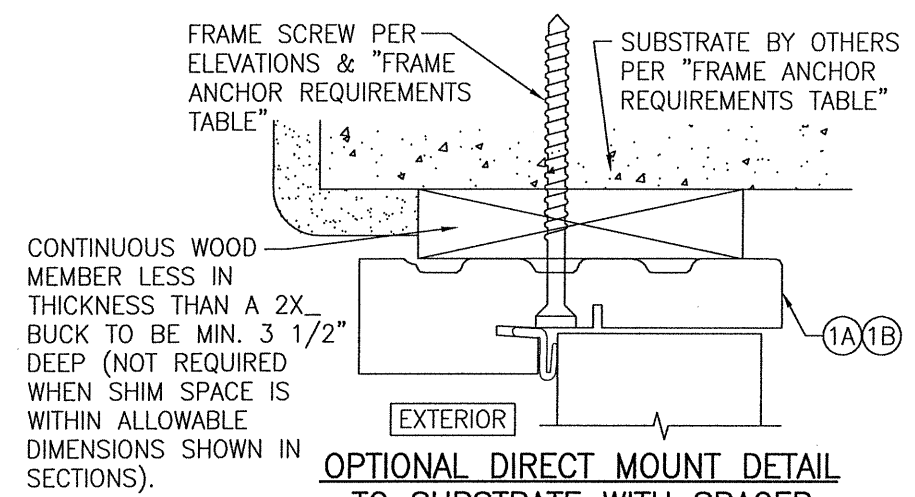
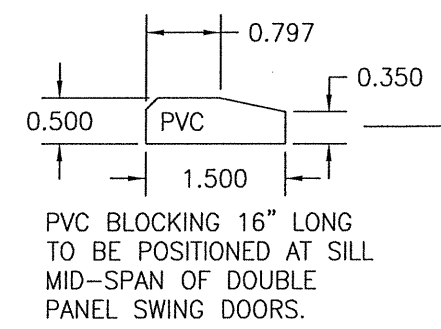
OPTIONAL CLIP MOUNT DETAIL
FOR DETAIL NOT SHOWN, SEE OTHER SECTIONS (HEAD SECTION SHOWN, SIDES AND SILL SIMILAR)



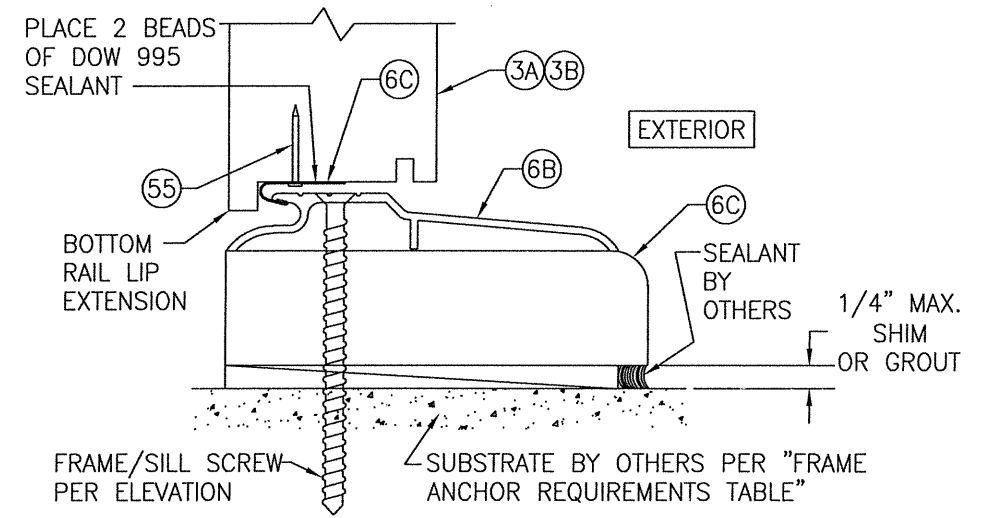
ADA THRESHOLD OPTION 2 DETAIL
FOR DETAIL & REINFORCEMENT PLATES NOT SHOWN, SEE SECTIONS A/6, B/6 & C/6.



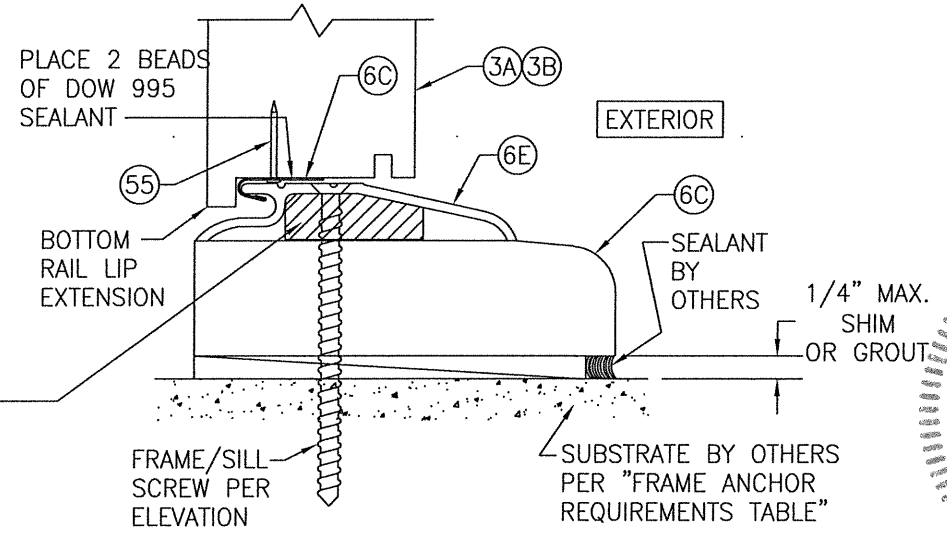
THRESHOLD OPTION 3 DETAIL
FOR DETAIL & STRIKE/REINFORCEMENT PLATES NOT SHOWN, SEE SECTIONS A/6, B/6 & C/6



OPTIONAL DIRECT MOUNT DETAIL TO SUBSTRATE WITH SPACER
FOR DETAIL NOT SHOWN, SEE OTHER SECTIONS (HEAD SECTION SHOWN, SIDES AND SILL SIMILAR)

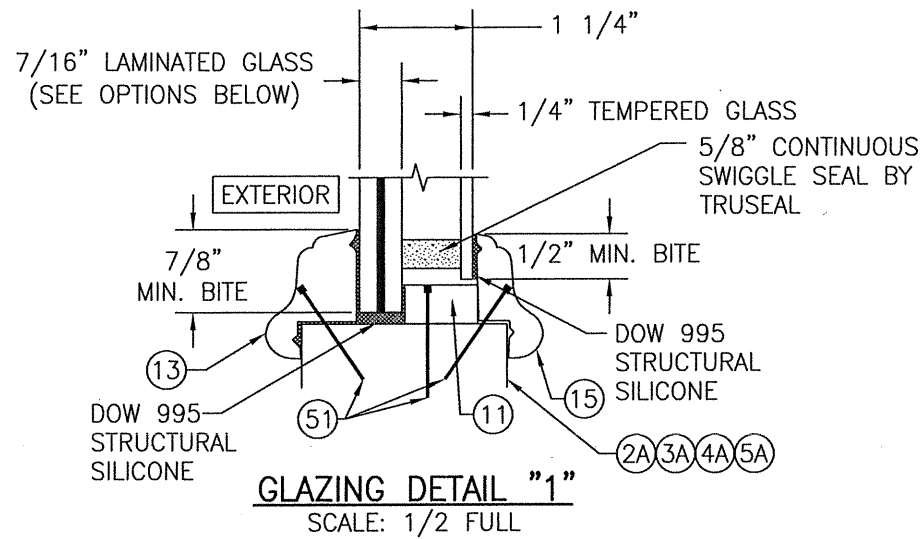


THRESHOLD OPTION 4 DETAIL
FOR DETAIL & REINFORCEMENT PLATES NOT SHOWN, SEE SECTIONS A/6, B/6 & C/6

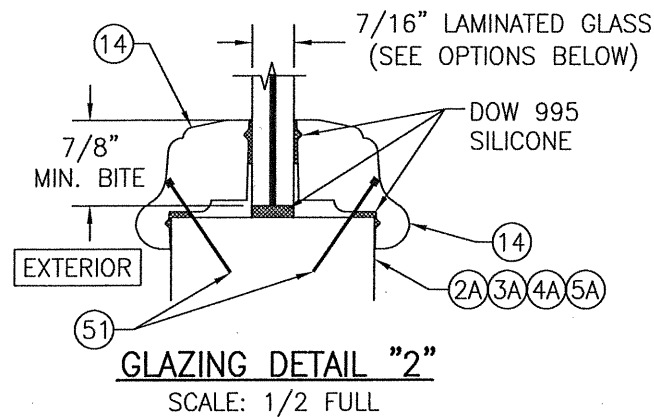


THRESHOLD OPTION 5 DETAIL
FOR DETAIL & REINFORCEMENT PLATES NOT SHOWN, SEE SECTIONS A/6, B/6 & C/6

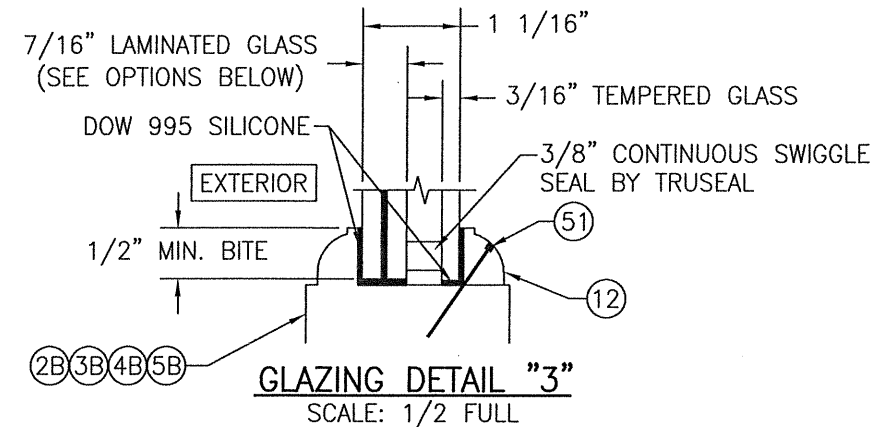
DRAWN BY: W.W.S.	CHECKED BY: W.W.S.
PLOT: 1=2	DATE: 09/03/14
NO.	REVISION DESCRIPTION
BY	DATE
DRAWING TITLE 10 FOOT WOOD INSWING IMPACT DOORS	
MANUFACTURER SIGNATURE DOOR INC. 401 JUNIATA STREET ALTOONA, PA 16602 814-949-2770	
CONSULTANTS W. W. SCHAEFER ENGINEERING & CONSULTING, P.A. (CA 6809) 7480 150TH COURT NORTH PALM BEACH GARDENS, FL 33418 PHONE: 561-744-3424	
DRAWING NO. 1888	REV. D
SHEET NO. 8 OF 11	



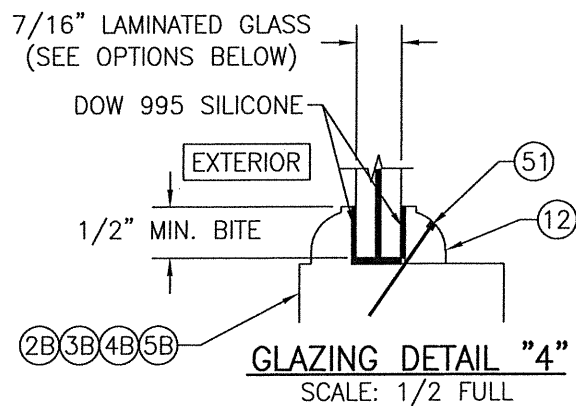
GLASS OPTION: 1) 7/16" THICK GLASSLAM SAFETY PLUS II LAMINATED OUTER GLASS (3/16" AN/0.10" POLYURETHANE POLYMER/3/16" AN); 3/16" TEMPERED SINGLE PANE INNER GLASS
 2) 7/16" THICK LAMINATED OUTER GLASS (3/16" AN/0.075" EASTMAN CHEM. CO. SAFLEX CP/3/16" AN); 3/16" TEMPERED SINGLE PANE INNER GLASS



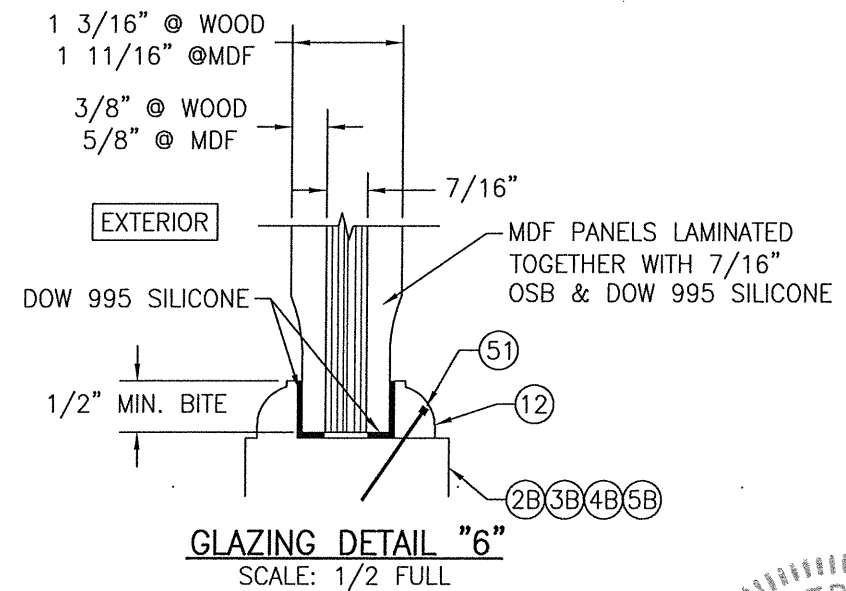
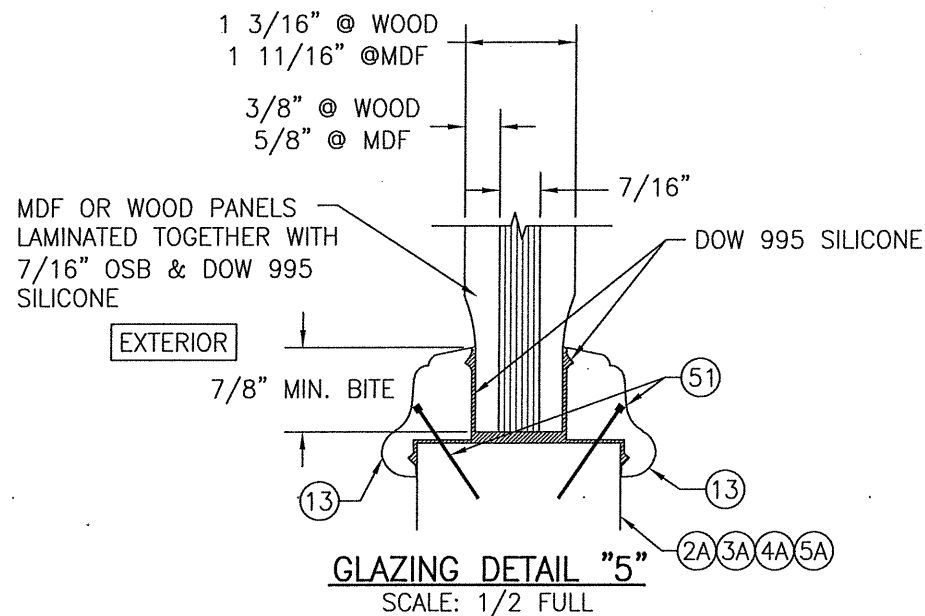
GLASS OPTION: 1) 7/16" THICK GLASSLAM SAFETY PLUS II LAMINATED OUTER GLASS (3/16" AN/0.10" POLYURETHANE POLYMER/3/16" AN)
 2) 7/16" THICK LAMINATED OUTER GLASS (3/16" AN/0.075" EASTMAN CHEM. CO. SAFLEX CP/3/16" AN)



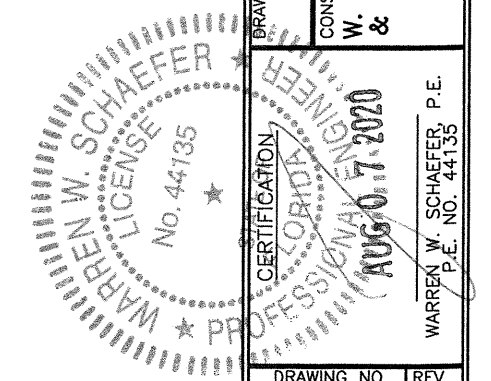
GLASS OPTION: 1) 7/16" THICK GLASSLAM SAFETY PLUS II LAMINATED OUTER GLASS (3/16" AN/0.10" POLYURETHANE POLYMER/3/16" AN); 3/16" TEMPERED SINGLE PANE INNER GLASS
 2) 7/16" THICK LAMINATED OUTER GLASS (3/16" AN/0.075" EASTMAN CHEM. CO. SAFLEX CP/3/16" AN); 3/16" TEMPERED SINGLE PANE INNER GLASS

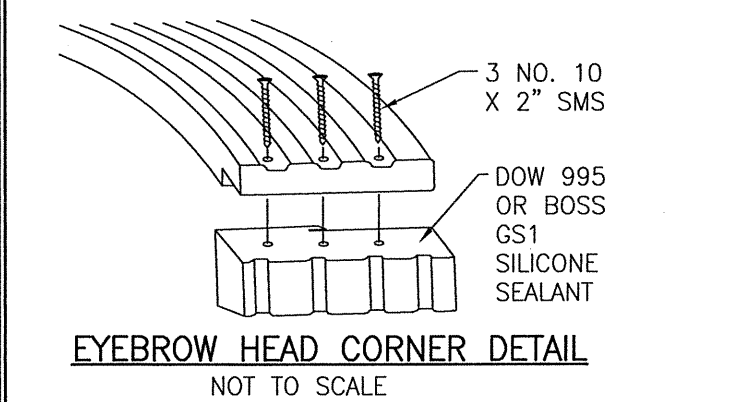
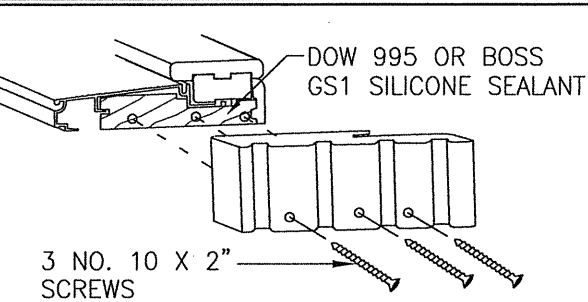
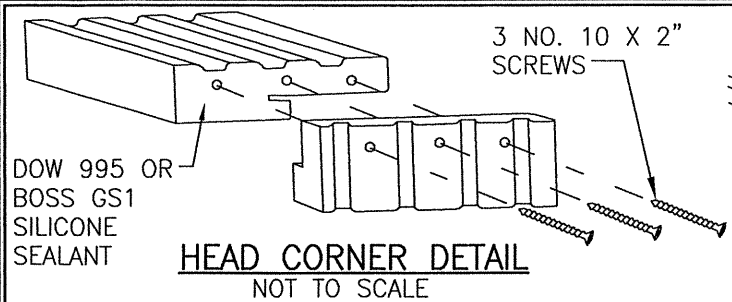


GLASS OPTION: 1) 7/16" THICK GLASSLAM SAFETY PLUS II LAMINATED OUTER GLASS (3/16" AN/0.10" POLYURETHANE POLYMER/3/16" AN)
 2) 7/16" THICK LAMINATED OUTER GLASS (3/16" AN/0.075" EASTMAN CHEM. CO. SAFLEX CP/3/16" AN)

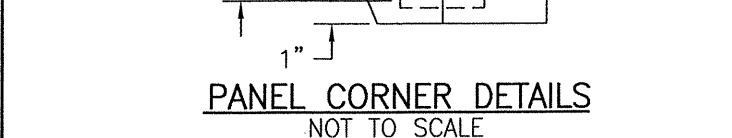
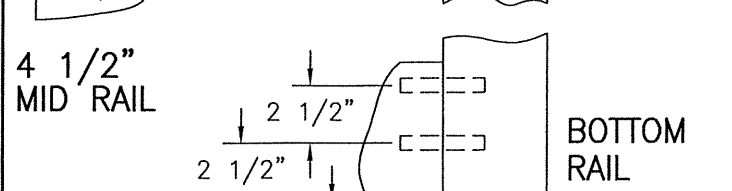
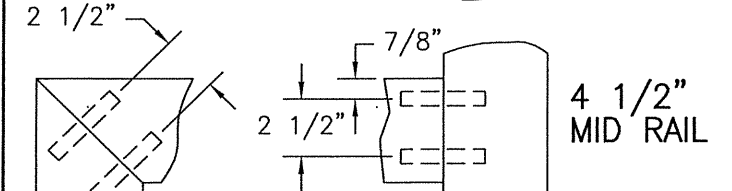
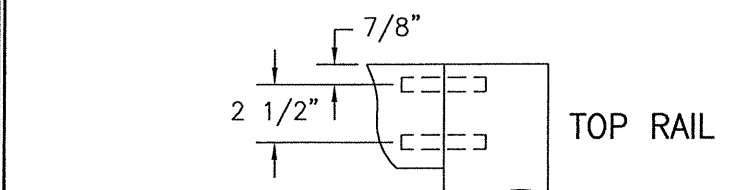
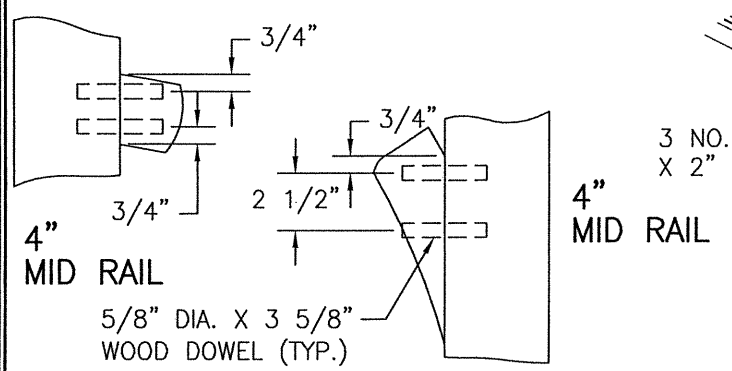


DRAWN BY: W.W.S.	CHECKED BY: W.W.S.
PLOT: 1=2	DATE: 09/03/14
DATE	
BY	
REVISION DESCRIPTION	
NO.	
10 FOOT WOOD INSWING IMPACT DOORS	
MANUFACTURER	
SIGNATURE DOOR INC. 401 JUNIATA STREET ALTOONA, PA 16602 814-949-2770	
CONSULTANTS	
W. W. SCHAEFER ENGINEERING & CONSULTING, P.A. (CA 6809) 7480 150TH COURT NORTH PALM BEACH GARDENS, FL 33418 PHONE: 561-744-3424	
DRAWING TITLE	
10 FOOT WOOD INSWING IMPACT DOORS	
DRAWING NO. 1888	
REV. D	
SHEET NO. 9 OF 11	



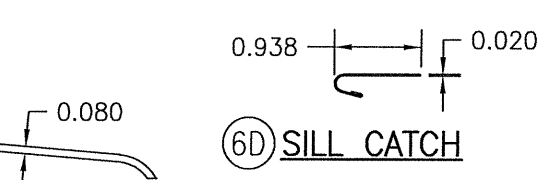
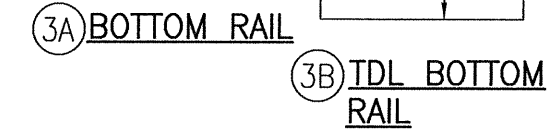
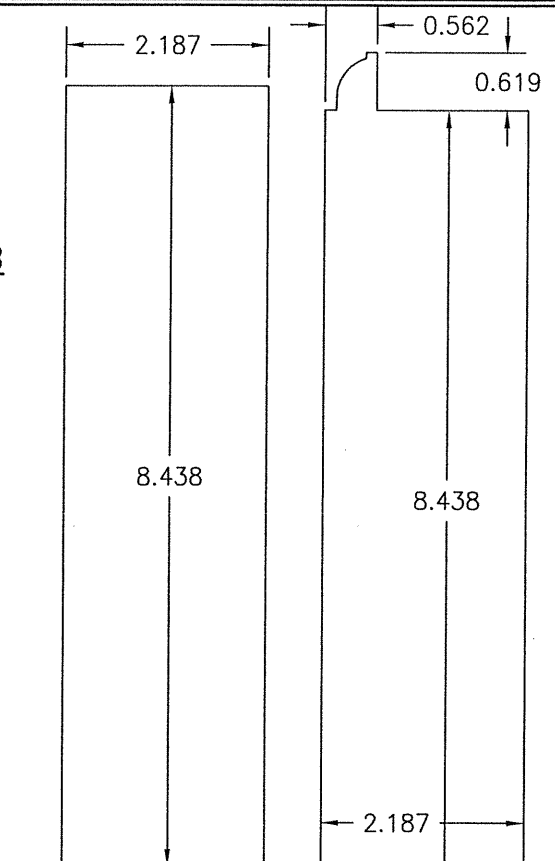
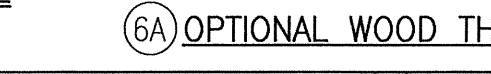
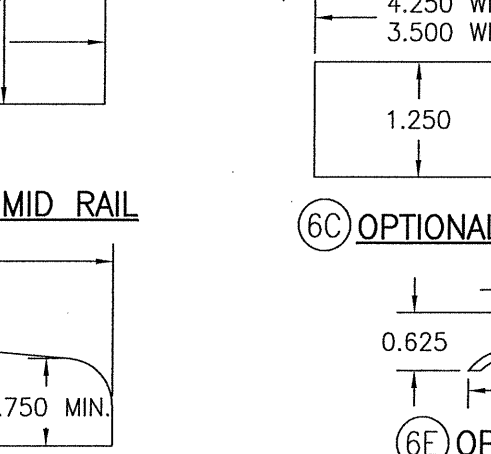
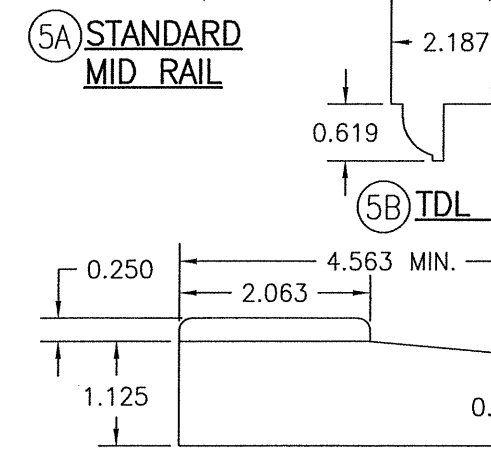
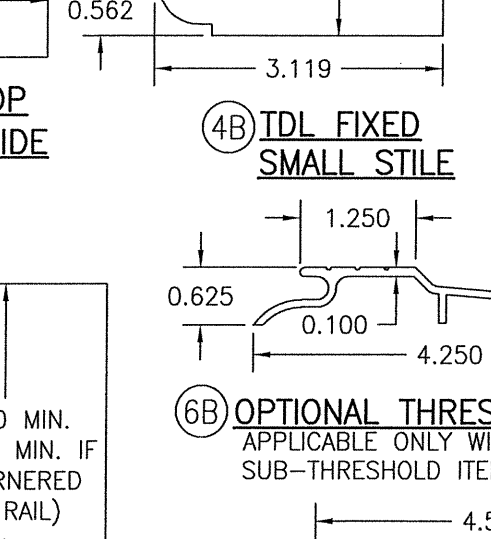
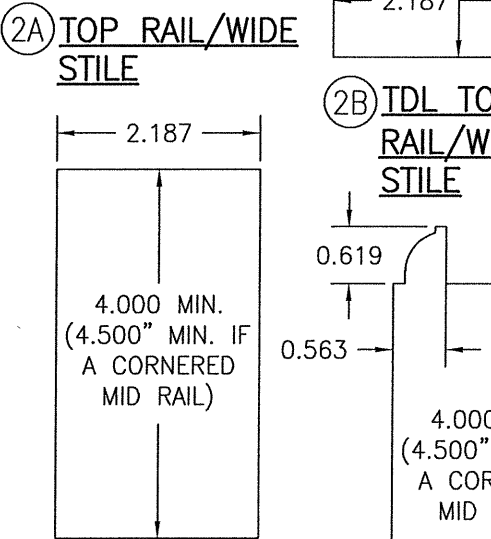
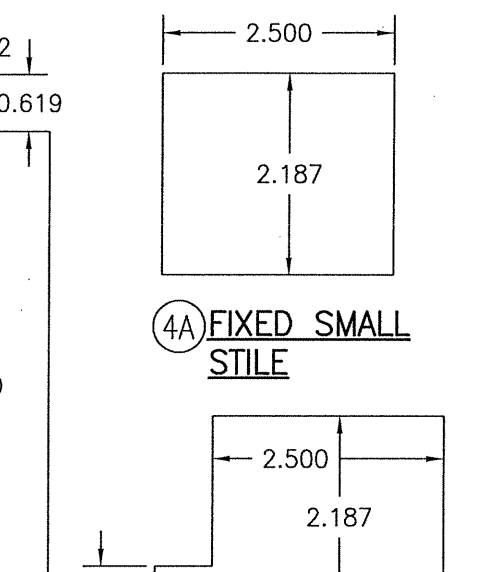
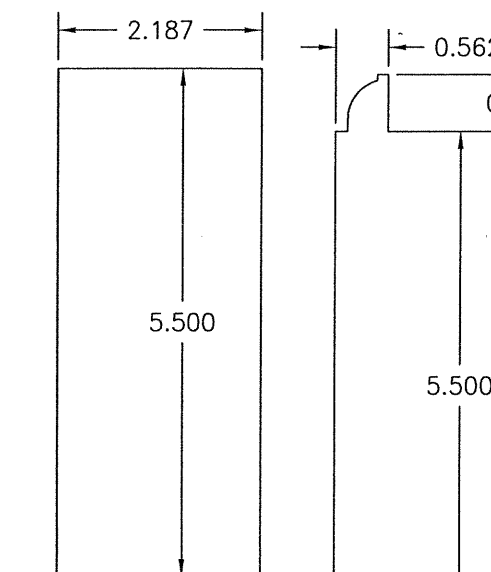
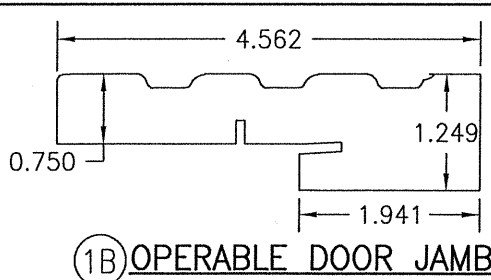
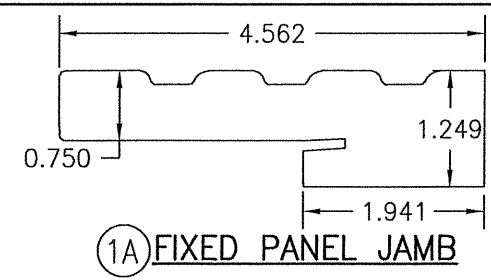
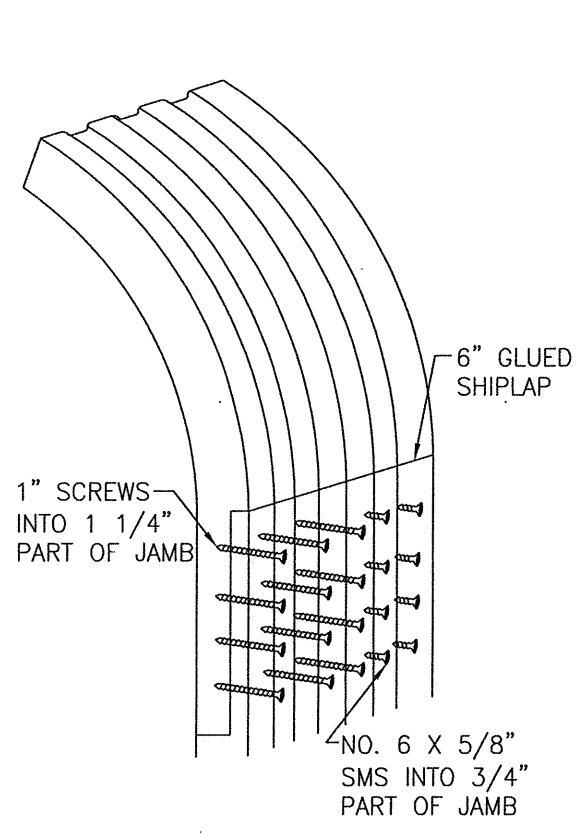
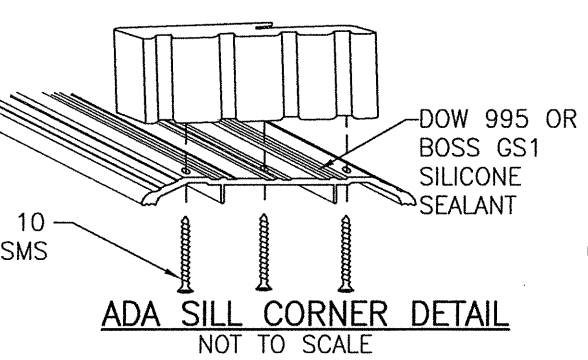


NOTE: STANDARD THRESHOLD IS SHOWN. THRESHOLD OPTIONS 3, 4 & 5 ALSO APPLY. NOTE THAT WITH OPTIONS 4 & 5, THE JAMB BUTTS & ATTACHES TO THE SUB-THRESHOLD WHILE THE ALUMINUM/BRASS THRESHOLD BUTTS TO THE JAMBS & IS SECURED TO THE SUB-THRESHOLD ONLY.



PANEL CORNER DETAILS
NOT TO SCALE

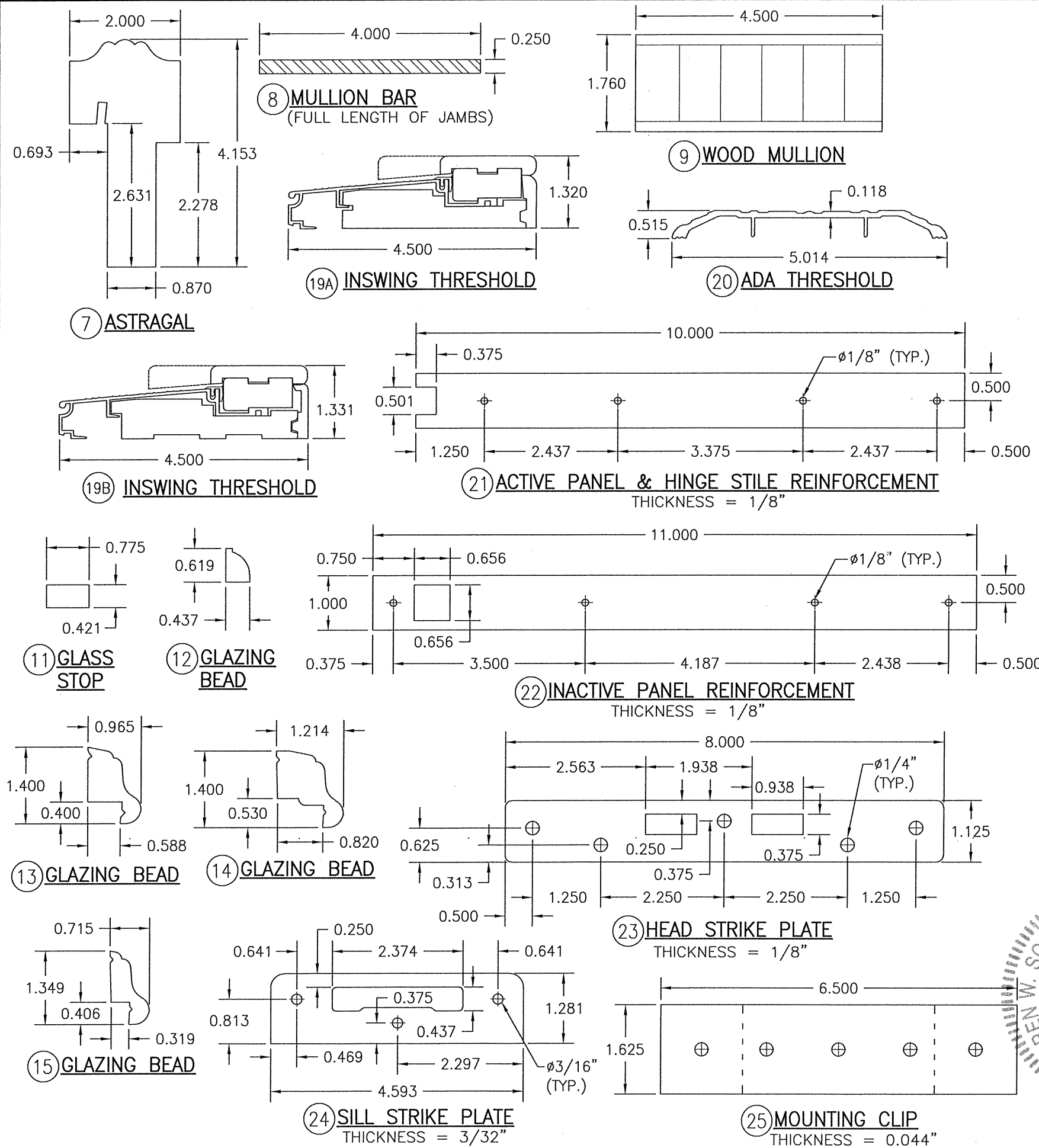
ALL DOWEL AND WOOD TO WOOD CONTACT SURFACES ARE FULLY GLUED WITH WOOD ADHESIVE BY KORLOCK GT 42-300A OR TITEBOND II BY WEATHERPROOF.



DRAWN BY: W.W.S.	CHECKED BY: W.W.S.
PLOT: 1=2	DATE: 09/03/14
NO.	REVISION DESCRIPTION
DATE	BY
DRAWING TITLE 10 FOOT WOOD INSWING IMPACT DOORS	
MANUFACTURER SIGNATURE DOOR INC. 401 JUNIATA STREET ALTOONA, PA 16602 814-949-2770	
CONSULTANTS W. W. SCHAEFER ENGINEERING & CONSULTING, P.A. (CA 6809) 7480 150TH COURT NORTH PALM BEACH GARDENS, FL 33418 PHONE: 561-744-3424	
CERTIFICATION	STATE OF FLORIDA PROFESSIONAL ENGINEER
WARREN W. SCHAEFER, P.E.	WARREN W. SCHAEFER, P.E.
AUG 07 2020	
DRAWING NO. 1888	REV. D
SHEET NO. 10	OF 11

ITEM #	ITEM DESCRIPTION	MANUFACTURER/NOTES
PARTS		
1A	FIXED PANEL JAMB	* WOOD (LAMINATED WITH CURVED JAMB)
1B	OPERABLE DOOR JAMB	* WOOD (LAMINATED WITH CURVED JAMB)
2A	TOP RAIL/WIDE STILE	LAMINATED RED OAK CORE (PINE VENEER)
2B	TDL TOP RAIL/WIDE STILE	LAMINATED RED OAK CORE (PINE VENEER)
3A	BOTTOM RAIL	LAMINATED RED OAK CORE (PINE VENEER)
3B	TDL BOTTOM RAIL	LAMINATED RED OAK CORE (PINE VENEER)
4A	FIXED SMALL STILE	LAMINATED RED OAK CORE (PINE VENEER)
4B	TDL FIXED SMALL STILE	LAMINATED RED OAK CORE (PINE VENEER)
5A	STANDARD MID RAIL	LAMINATED RED OAK CORE (PINE VENEER)
5B	TDL MID RAIL	LAMINATED RED OAK CORE (PINE VENEER) OR 3-PIECE EASTERN PINE CORE (PINE VENEER)
6A	OPTIONAL WOOD THRESHOLD	OAK OR MAHOGANY
6B & 6E	OPTIONAL THRESHOLD	6063-T6 ALUMINUM OR BRASS
6C	OPTIONAL WOOD SUB-THRESHOLD	OAK OR MAHOGANY
6D	SILL CATCH	ROLL FORMED BRONZE
7	ASTRAGAL	* WOOD
8	MULLION BAR	A36 STEEL
9	WOOD MULLION	LVL OR LAMINATED RED OAK CORE (PINE VENEER)
11	GLASS STOP	* WOOD
12	GLAZING BEAD	* WOOD
13	GLAZING BEAD	* WOOD
14	GLAZING BEAD	* WOOD
15	GLAZING BEAD	* WOOD
19A	INSWING THRESHOLD	IMPERIAL 5QCW WITH WOOD BASE
19B	INSWING THRESHOLD	IMPERIAL 5KXDV WITH COMPOSITE BASE
20	ADA THRESHOLD	HAGAR 412S
21	ACTIVE PANEL & HINGE STILE REINF.	STAINLESS STEEL
22	INACTIVE PANEL REINFORCEMENT	STAINLESS STEEL
23	HEAD STRIKE PLATE	STAINLESS STEEL
24	SILL STRIKE PLATE	STAINLESS STEEL
25	MOUNTING CLIP	MIN. 33 KSI GALVANIZED STEEL
26	JAMB REINF. PLATE (.044" X 4.00" X 16.00")	MIN. 33 KSI GALVANIZED STEEL
HARDWARE		
27	4.5" X 4.5" BALL BEARING HINGE	BALDWIN 1046.003 (BRASS)
28	4.5" X 4.5" BALL BEARING HINGE	PENROD MH4.5BBTPSQ-SQBB (STEEL)
29	4.5" X 4.5" BALL BEARING HINGE	PENROD MH4.5BBTPSQ-SQSB (BRASS)
30	5-POINT ACTIVE PANEL LOCK SYS.	HOPPE HLS9000 ROUND BOLT/SHOOT BOLT
31	2-POINT INACTIVE PANEL LOCK SYS.	HOPPE HLS9000 SHOOT BOLT
32	3-POINT ACTIVE PANEL LOCK SYS.	HOPPE HLS9000 ROUND BOLT
33	5-POINT ACTIVE PANEL LOCK SYS. (3-POINT AT SINGLE DOOR)	GU RHINO
34	2-POINT INACTIVE PANEL LOCK SYS.	GU EUROPA
35	5-POINT ACTIVE PANEL LOCK SYS. (3-POINT AT SINGLE DOOR)	KFV 7370-S. BOLT
36	2-POINT INACTIVE PANEL LOCK SYS.	KFV 7000
37	HANDLE	AS REQ'D TO FIT LOCK SYSTEM
38	LOCK STRIKE PLATE	AS SUPPLIED WITH LOCK SYSTEM
SEALS AND SEALANTS		
40	DOOR SWEEP	IMPERIAL FBS30B/FBS36B
42	WEATHER SEAL	ILPEA IND. HF65B (PREV. HOLM INDUSTRIES JF65814) OR LAUREN DOOR SEALS PART NO. 103257
MISC. FASTENERS		
43	NO. 10 X 2" SMS	2 PER HINGE LEAF INTO PANEL W/BRASS HINGES
44	NO. 10 X 3/4" SMS	2 PER HINGE LEAF INTO JAMB & PANEL
45	NO. 12 X 2" SMS	2 PER HINGE LEAF INTO PANEL W/STEEL HINGES
46	NO. 12 X 2" SMS	2 PER HINGE LEAF INTO WOOD MULLION
47	NO. 12 X 3" SMS	2 PER HINGE LEAF INTO STEEL MULLION/SIDELIGHT
48	NO. 10 X 2" SMS	4 PER DOOR REINFORCEMENT PLATE
49	NO. 10 X 2" SMS	6" FROM CORNERS & 16" MAX O.C.
50	NO. 10 X 2 1/2" SMS	6" FROM CORNERS & MID SPAN ON SILL
51	1 3/16" BRAD NAIL	1" FROM CORNERS & 8" O.C.
52	3/4" STAPLE	3/4" FROM CORNERS & 6" O.C. STAGGERED
53	NO. 10 X 2 1/2" SMS	3" FROM ENDS & 22" O.C. THRU ASTRAGAL
54	NO. 6 X 3/4" SCREW	2 PER TOP & BOTTOM STRIKE PLATE AND 3 AT HANDLE LOCATION STRIKE PLATE
55	7/8" NAILS	1" FROM ENDS & 3" O.C.

NOTE: WOOD USED IN TESTING WAS EASTERN WHITE PINE WITH A SPECIFIC GRAVITY OF G = 0.36 AND A MODULUS OF ELASTICITY OF E = 1,200,000 PSI. OTHER WOOD SPECIES APPLICABLE FOR USE WITH THIS PRODUCT ARE THOSE WITH A SPECIFIC GRAVITY OF 0.36 AND MODULUS OF ELASTICITY OF 1,200,000 PSI OR GREATER. ALL WOOD IS MINIMUM GRADE 2 MILLED BY SIGNATURE DOOR INC. TO SELECT.



DRAWN BY: W.W.S.	CHECKED BY: W.W.S.
PLOT: 1=2	DATE: 09/03/14
DATE	
BY	
REVISION DESCRIPTION	
NO.	

DRAWING TITLE
10 FOOT WOOD INSWING IMPACT DOORS

MANUFACTURER
SIGNATURE DOOR INC.
401 JUNIATA STREET
ALTOONA, PA 16602
814-949-2770

CONSULTANTS
W. W. SCHAEFER ENGINEERING & CONSULTING, P.A. (CA 6809)
7480 150TH COURT NORTH
PALM BEACH GARDENS, FL 33418
PHONE: 561-744-3424

CERTIFICATION
NO. 46465
AUG 07 2020
STATE OF FLORIDA
WARREN W. SCHAEFER, P.E.
P.E. NO. 4136

DRAWING NO.:	REV.:
1888	D
SHEET NO.	
11	OF 11