



# 4700LN Series Cylindrical Lockset Grade 1 Lever Installation Instructions

**IMPORTANT:** The accuracy of the door preparation is critical for the proper functioning and security of this lever handle lock. Misalignment can cause premature wear and tear and a lessening of security.

## Tools Required

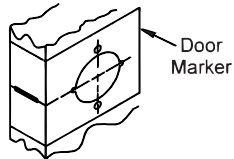
- 2-1/8" (54mm) hole saw
- 1" (26mm) boring bit
- 5/16" (8mm) drill bit
- 7/64" (2.5mm) drill bit
- chisel & hammer
- #2 phillips screw driver
- handle removal tool (supplied)
- 3/8" or 1/2" drill

## Attention Installer

Installation of cylindrical locks and latches must be through bolted in all doors. If installation instructions are not followed this may result in damage to the lock and void the factory warranty. Any retrofit or other field modification to a fire rated opening can potentially impact the fire rating of the opening, and Yale Locks & Hardware makes no representations or warranties concerning what such impact may be in any specific situation. When retrofitting any portion of an existing fire rated opening, or specifying and installing a new fire-rated opening, please consult with a code specialist or local code official (Authority Having Jurisdiction) to ensure compliance with all applicable codes and ratings.

### 1. Mark door.

Mark horizontal line across edge of door. 40 5/16" (1024mm) is the usual height above the floor. Fold template over edge of door, centering on horizontal line. Mark centers of holes at proper backset. For beveled and square edge doors, mark both sides of the door.



**Note:**  
Be sure to verify backset before marking & drilling door.

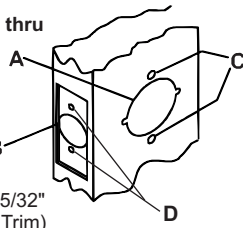
### 2. Drill door.

**A. Drill 2 1/8" (54mm) dia. hole thru the door.** Cut notches as shown on template. See note. (Except Dummy Trim)

**B. Drill 1" (25mm) dia. hole in edge of door.** Mortise for latch front 1 1/8" (29mm) wide X 2 1/4" (57mm) high X 5/32" (4mm) deep. (Except Dummy Trim)

**C. Drill two (2) 5/16" (8mm) dia. Holes thru door.** See note.

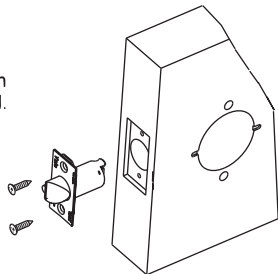
**D. Drill pilot holes for latch screws. 7/64" (2.5mm) dia. (Except Dummy Trim)**



**Note:**  
To avoid splintering wood doors, drill holes (A) and (C) from both sides of the door.

### 3. Install latch

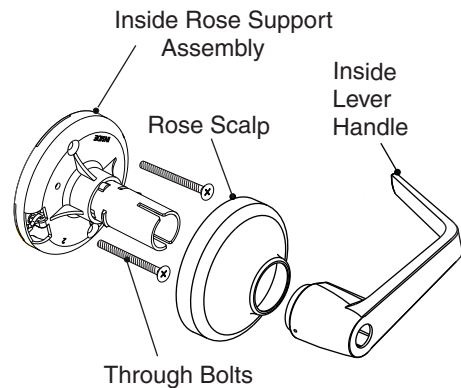
Insert latch in door. (Be sure bevel edge of bolt faces strike plate.) Attach with two screws supplied.



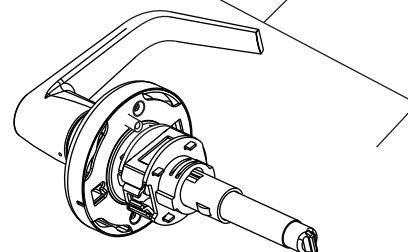
### 4. Unpack Lock.

**A.** Remove the lock components from the box.

### 4707LN Function Shown



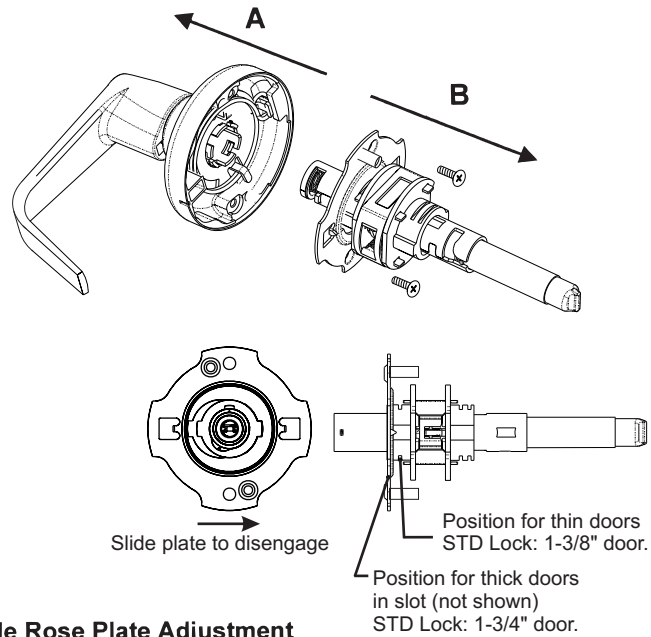
### Outside Assembly (stays assembled)



### 5. Adjust lock for door thickness *if necessary*

(Lock is packed preadjusted for 1-3/4"(44mm) doors)

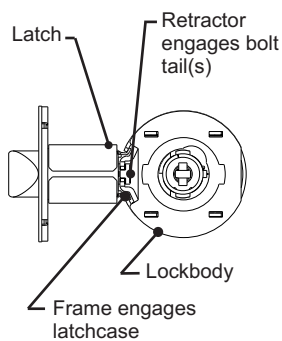
- A. Remove lever and rose assembly (as one unit) from lockbody by removing 2 screws.
- B. Disengage rose plate from lockbody and re-install per illustration below.
- C. Assemble lever and rose assembly to the lockbody and secure with screws.



Outside Rose Plate Adjustment

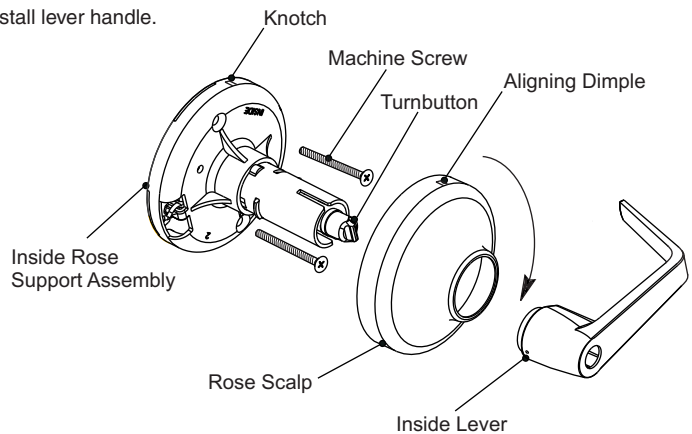
### 6. Install lock

Insert lockbody into door from outside making sure that lockbody frame hooks latch case and retractor engages bolt tail(s). **DO NOT FORCE.** (If lockbody does not engage latch easily, check door preparation for errors.)



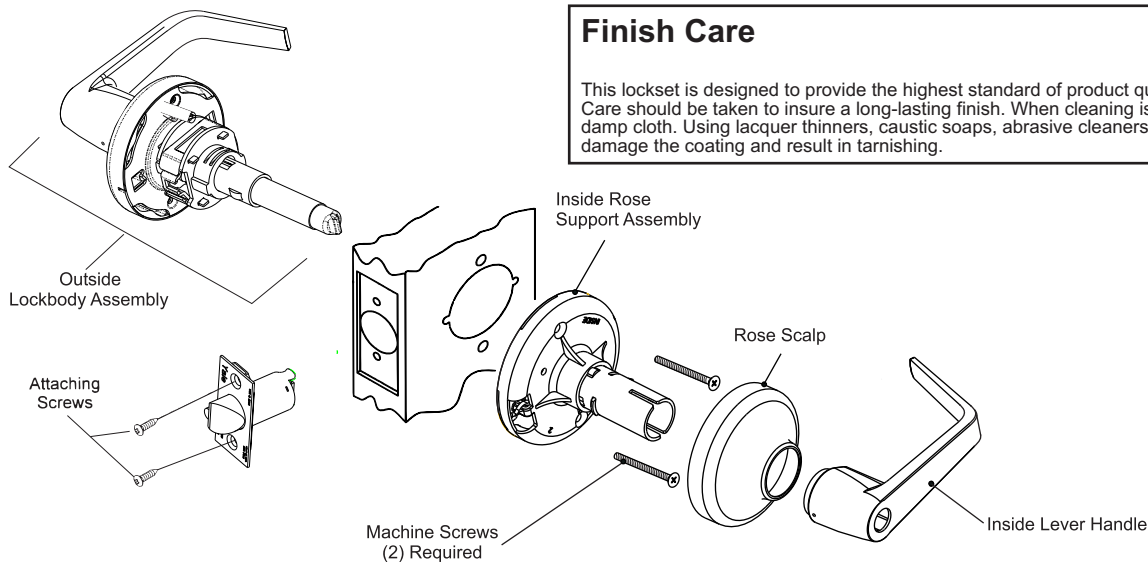
### 7. Install inside components

- A. Slide inside rose support assembly onto lockbody and tighten through bolts.
- B. Place rose scalp on rose support assembly aligning the dimple with the notch. Rotate the rose scalp clockwise to lock. Note: Repeat on outside rose if necessary.
- C. Install lever handle.



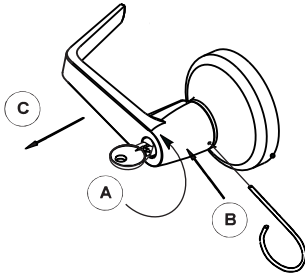
### Finish Care

This lockset is designed to provide the highest standard of product quality and performance. Care should be taken to insure a long-lasting finish. When cleaning is required use a soft, damp cloth. Using lacquer thinners, caustic soaps, abrasive cleaners or polishes could damage the coating and result in tarnishing.



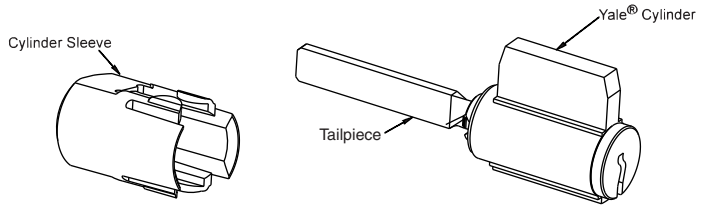
### To Remove Cylinder Handle

- A. Insert key and rotate 45° counterclockwise.
- B. Depress Retainer with tool provided.
- C. Slide Lever off lock.



### To Replace Or Install Cylinder:

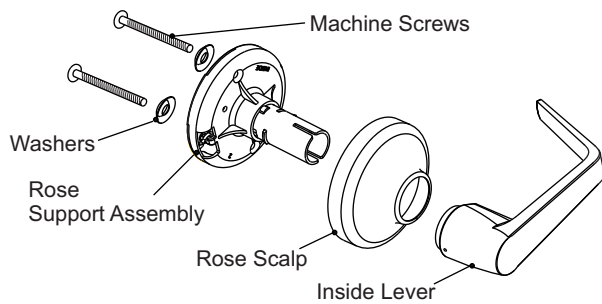
- A. Remove the sleeve from inside the shank or from the old cylinder.
- B. Slide cylinder into sleeve.
- C. Rotate key 45° counterclockwise. Depress retainer plate, push the handle onto the shank until fully seated. Pull on handle to insure properly seated.



**Note:** Cylinder and Sleeve must be properly installed or the security of the lock will be compromised.

### DUMMY TRIM INSTALLATION

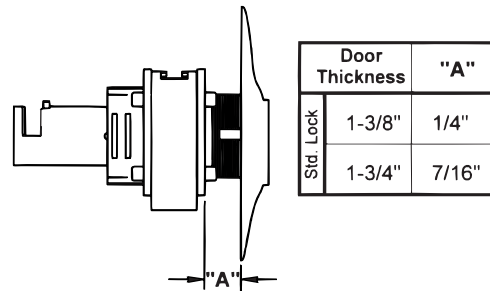
Secure the Rose Support assembly to the door using screws and washers provided and install the rose scalp and inside lever.



### 4728LN and 4729LN Functions Only

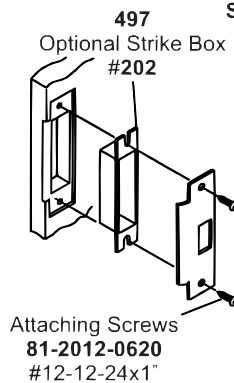
#### Adjust for Door Thickness

Turn Blank Rose until "A" dimension is achieved for Door thickness (see table). studs should be aligned with through-bolt holes in door.

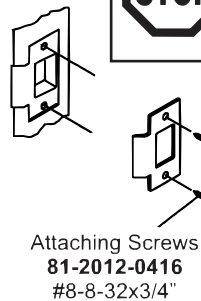


### 8. Strike Installation (Wood Frames Only)

- A. Close door and mark a horizontal line from the center of the template to the frame of the door.
- B. Measure half the thickness of the door; mark this same distance with a vertical line starting from the stop side of the frame and where both lines cross make a 1 inch (25mm) diameter hole and 1/2 inch (13mm) in depth.
- C. Align the holes of the strike with the vertical line, trace the outline of the strike and mortise with 1/16 inch (1.6mm) depth. Attach the strike with two screws (provided).



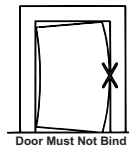
#### STRIKES



**TEST THE OPERATION OF THE LOCKSET**  
Cycle the lock in both the locked and unlocked positions. If lock functions smoothly when door is open, but binds when closed, check door and frame alignment. If problems are found see troubleshooting below.

### Troubleshooting

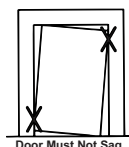
1. Check door.
2. Check hinges. They should not be loose or have excessive wear on knuckles.
3. Latchbolt will not deadlock.  
Either strike is out of line or gap between door and jamb is too great. Realign strike or shim strike out towards flat area of latchbolt.
4. Latchbolt does not retract or extend properly.  
Latchbolt tail and retractor not properly positioned.
  - A. Remove lockset. Look through 2-1/8 hole and verify latchbolt tail centered between top and bottom of hole.
  - B. Remove latchbolt and insert lockset, look through latch hole and verify retractor mouth centered in hole. Adjust outside rose plate if not. (See #5 on page 2)
  - C. Rebore holes if necessary to line up retractor and tail.



Door Must Not Bind



Door Must Not Be Warped

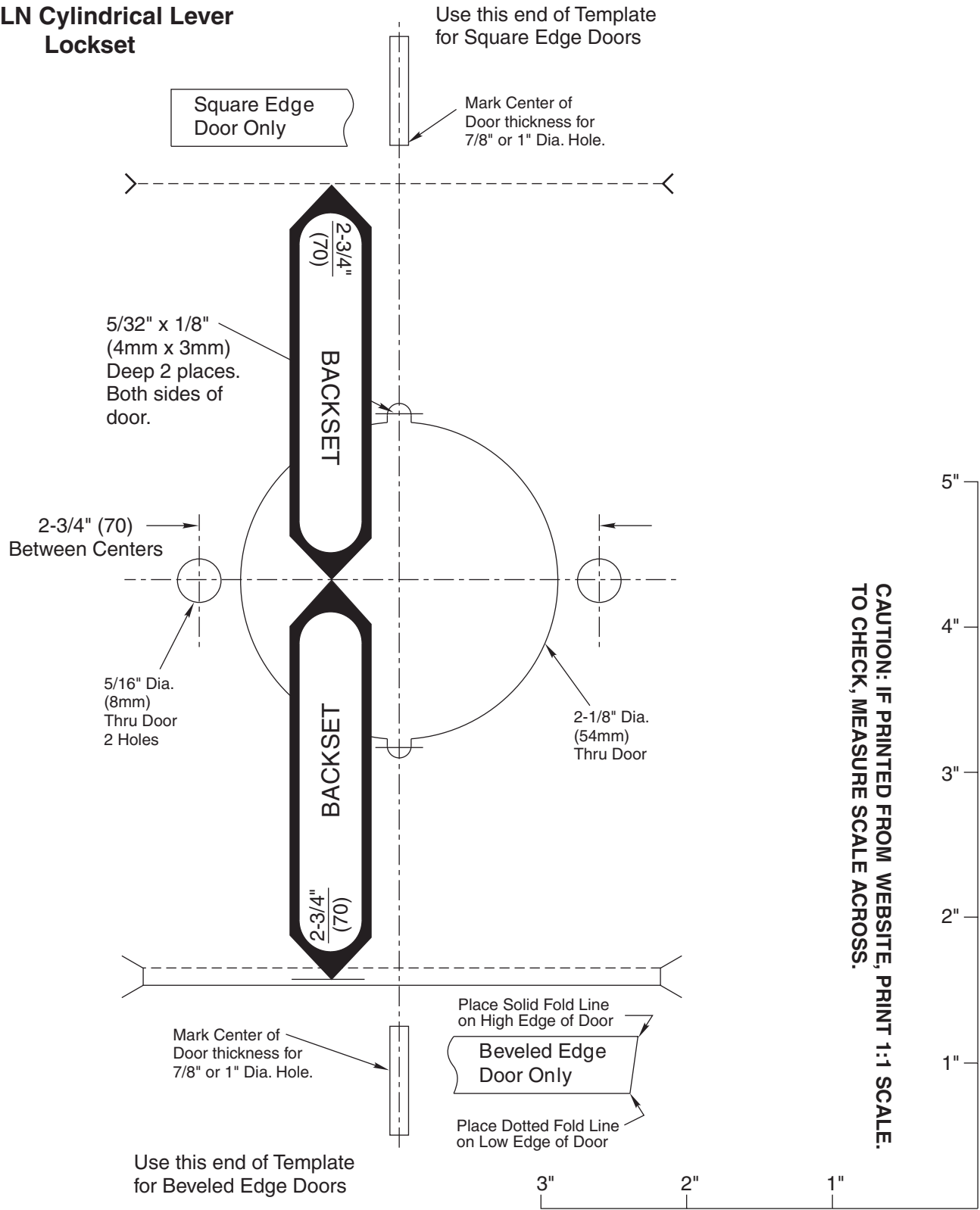


Door Must Not Sag



Door Must Swing Freely

**4700LN Cylindrical Lever Lockset**



**Yale Locks & Hardware**

100 Yale Avenue, Lenoir City, TN 37771 • Product Support Tel 800.438.1951 • Fax 800.338.0965 • [www.yalelocks.com](http://www.yalelocks.com)

Yale Locks & Hardware is a division of Yale Security Inc., an ASSA ABLOY Group company.

Yale® is a registered trademark of Yale Security Inc., an ASSA ABLOY Group company. Other products' brand names may be trademarks or registered trademarks of their respective owners and are mentioned for reference purposes only. These materials are protected under U.S. copyright laws. All contents current at time of publication. Yale Security Inc. reserves the right to change availability of any item in this catalog, its design, construction, and/or its materials. Copyright © 2008, 2011, Yale Security Inc., an ASSA ABLOY Group company. All rights reserved. Reproduction in whole or in part without the express written permission of Yale Security Inc., an ASSA ABLOY Group company is prohibited.

YALE, with its unique global reach and range of products, is the world's favorite lock.

ASSA ABLOY is the global leader in door opening solutions, dedicated to satisfying end-user needs for security, safety and convenience.