



2100(F)WS, 2150(F)WS Rim Exit Devices Installation Instructions (Single Door or Pairs with Mullion)

Note: These installation instructions cover standard product only. To install options, such as shim kits or interlock brackets, refer to the instructions packed with the optional component.

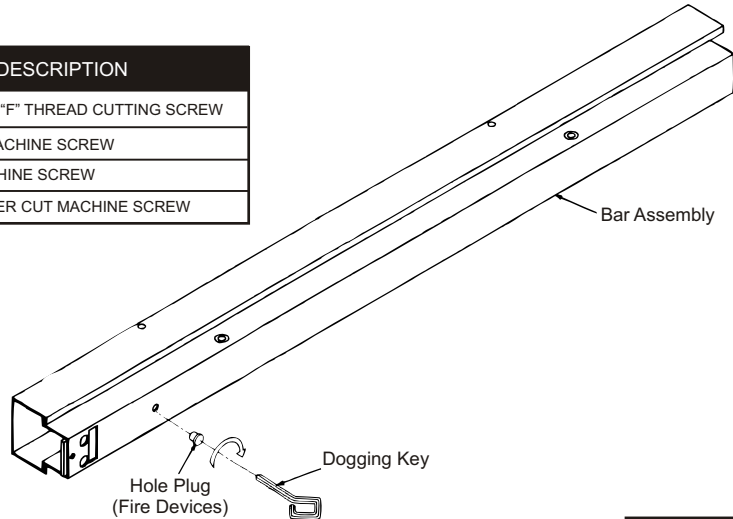
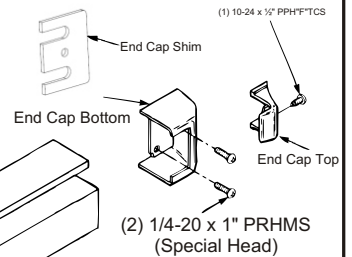
Packed for reinforced metal doors.

Optional sex nuts required for unreinforced metal and composite wood doors and are furnished standard with all fire-rated (F) devices.

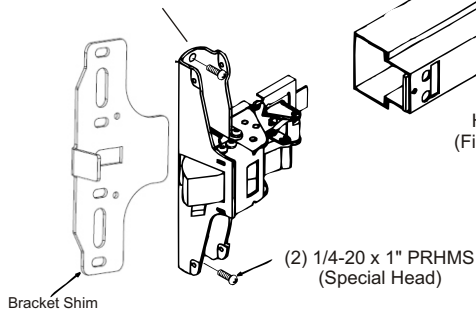
Outside Trim: Device is packed ready for any applicable Yale® Trim.

2100WS (Windstorm Label)
2150WS (Windstorm Label)

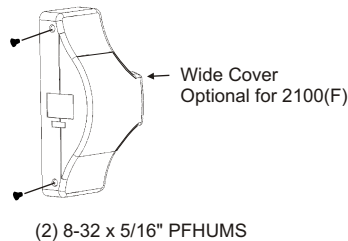
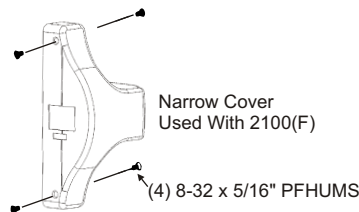
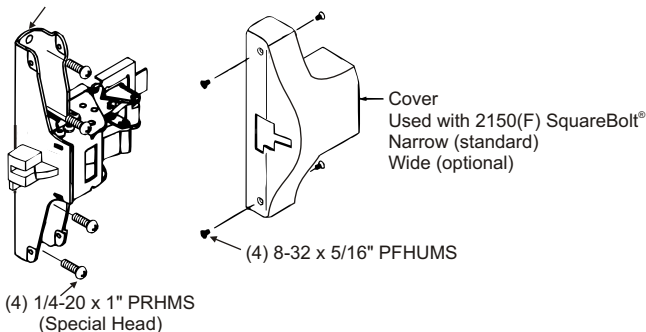
ABBREVIATION	FASTENER DESCRIPTION
PPH ^F TCS	PHILLIPS PAN HEAD TYPE "F" THREAD CUTTING SCREW
PRHMS	PHILLIPS ROUND HEAD MACHINE SCREW
PFHMS	PHILLIPS FLAT HEAD MACHINE SCREW
PFHUMS	PHILLIPS FLAT HEAD UNDER CUT MACHINE SCREW



Latch Assembly
2100, 2100F



Latch Assembly
2150(F)



Dogging

Feature to hold bolts retracted and touchpad depressed, for push-pull door operation.

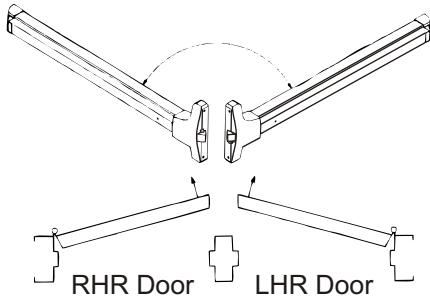
To Dog Device

1. Insert dogging key.
2. Hold touchbar depressed.
3. Turn key 1/4 turn clockwise.

(Not a feature of fire labeled devices.)

All dimensions are in inches (mm) unless otherwise noted.

For Doors of Either Hand



Maintenance

1. Periodically remove covers and coat mechanisms with a silicone base lubricant. This is particularly required in corrosive environments for proper product function.
2. Check mounting fasteners periodically. Retighten if found loose. Apply screw locking compound (available at automotive part stores) or change part fasteners if screws continue to back up.
3. Periodic checks (and adjustments) of strikes are required to compensate for changes in the opening (e.g. door sagging).

Check Before Starting

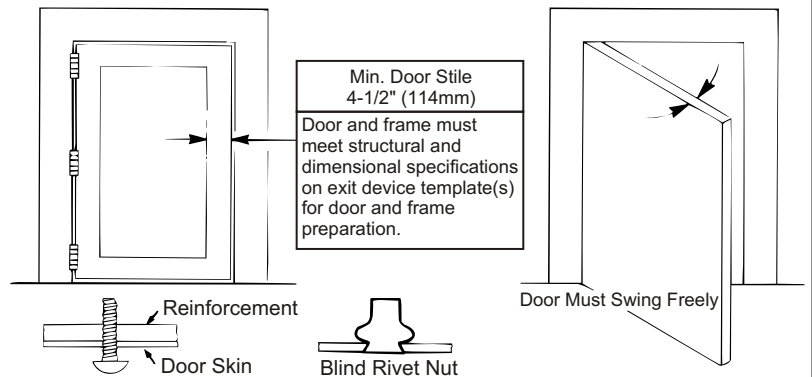
Unreinforced Doors or Frames

Doors and Frames with walls having a structural thickness (metal skin plus reinforcement or solid hardwood) to engage less than (3) full screw threads are considered unreinforced.

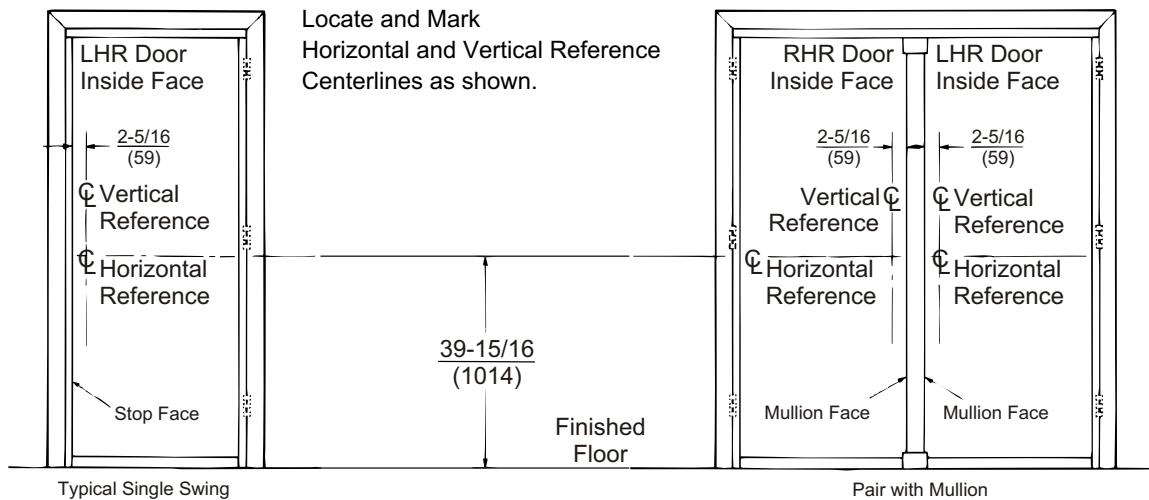
Unreinforced Doors: Use SNB (sex nuts and bolts).

Unreinforced Frames: Use Blind Rivet Nuts.

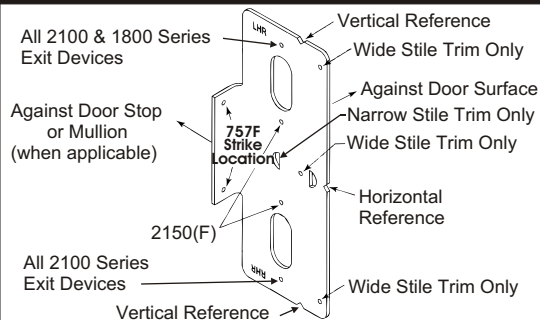
Recommended fasteners for unreinforced openings are not necessarily supplied by Yale Security, Inc.



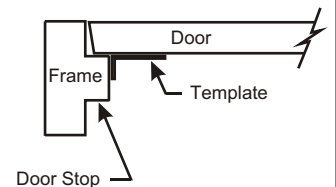
1. Mark Door



2. Prepare Door & Frame



- A. Seat plastic template on door and stop faces.
- B. Align horizontal and vertical centerlines.
- C. Locate and tape Trim Template on door. (See instructions packed with Trim).
- D. Spot and prepare holes.



Device: Each (4) 1/4-20 Machine Screws* OR (2) 3/8" (10) Dia.
 Optional Sex Nuts & Bolts. (*) Metal reinforced door only.
 Strike: (4) 10-24 Machine Screws OR (2) #10 Wood Screws

3. Clear Raised Door Molding

Device (head bar and end cap) must seat flush on door surface or on shims that keep it parallel to door face.

(1) Shim Kit needed to clear each 1/8" (3mm) of raised molding. See instructions provided with shim kits for installation.

4. Mount Components

A. Mount Trim (Follow instructions packed with trim).

B. Mount Latch Case:

- Use (2) 1/4-20 x 1" PRHMS or SNB for 2100(F), or 1800(F)
- Use (4) 1/4-20 x 1" PRHMS or SNB for 2150(F)

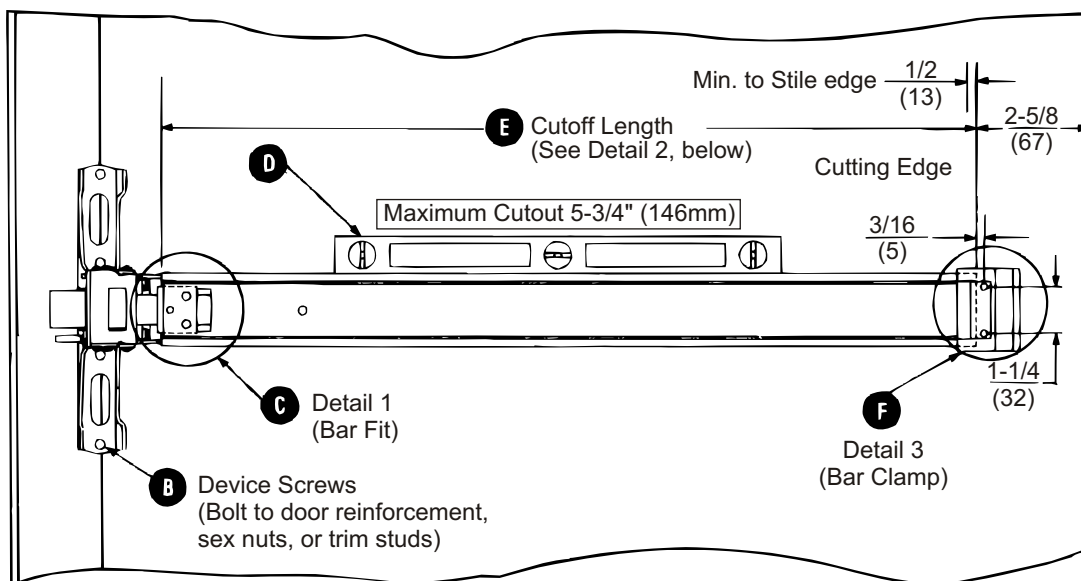
C. Open door. Slide Bar over door surface until touching Latch Case wall. Slider in Latch Case penetrates into Bar. (See Detail1).

D. Set Bar level.

E. Size Bar. To cut Bar, see Detail 2.

F. Reposition Bar (Detail 1). Clamp Bar with End Cap Bottom (Detail 3). Locate End Cap Bottom mounting holes.

G. Prepare End Cap Bottom mounting holes. Mount End Cap Bottom (Detail 3). (2 ea. 1/4-20 PRHMS or 3/8" (10) dia. SNB).



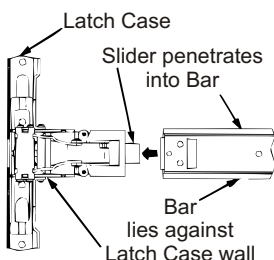
H. Check Bolt Retraction.

1. Depress bar (bolts must retract). Release bar (bolts must extend).
2. Actuate trim (bolts must retract). Release trim actuator (bolts must extend).
3. Depress touchbar, turn dogging key clockwise (bar must remain depressed, bolts must remain retracted). Turn dogging key counterclockwise (bar and bolts must return to extended position).

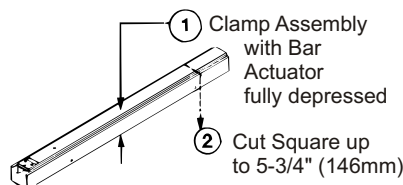
Note: When resulting operation is faulty, check first for visible binding or interference. If there is no apparent reason for the fault, remove item from the door and recheck its operation before assuming that it is defective.

I. Tighten all mounting screws.

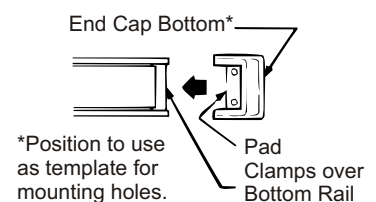
Detail 1: Fit Bar



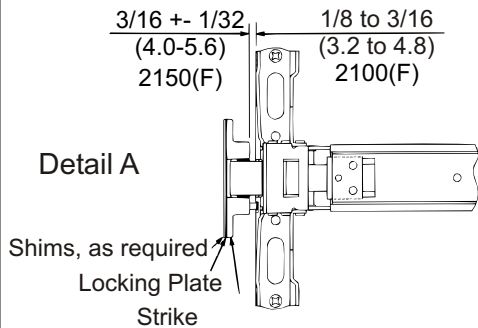
Detail 2: To Cut Bar



Detail 3: Clamp Bar

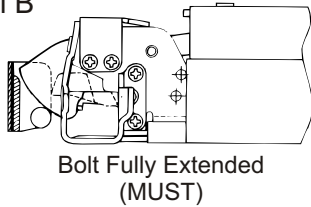


5. Install Strike



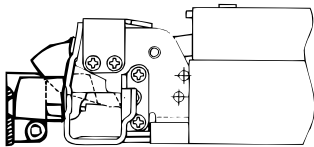
Detail A

Detail B

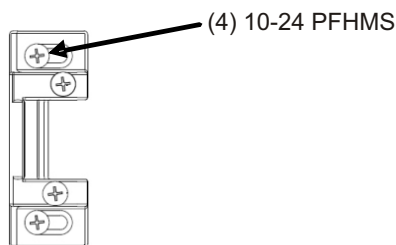


Bolt Fully Extended (MUST)

Detail B1



Bolt Fully Extended Tangent to Roller (MUST)



Detail C

- A. Position Strike Projection (Strike + Locking Plate + Shims, if needed). See Detail A.
 B. Position Strike Depth
 - 2100(F),
 - 2150(F), see Detail B1

C. Fasten Strike Securely, as shown on Detail C.

D. Check Bolt Engagement.

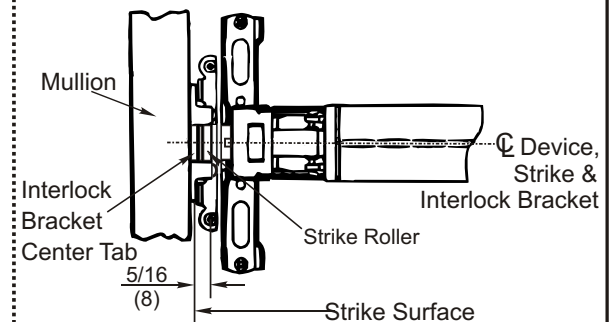
1. Bolt should retract to clear the strike, when actuated by bar, trim, or dogging action. Bolt should consistently reengage the strike, when actuators are released and the door shuts.
2. Door should remain latched and not rattle when pushed, pulled, or shaken in/out.

E. (Fire Mullion Installations Only) Stabilize strike. See Detail F.

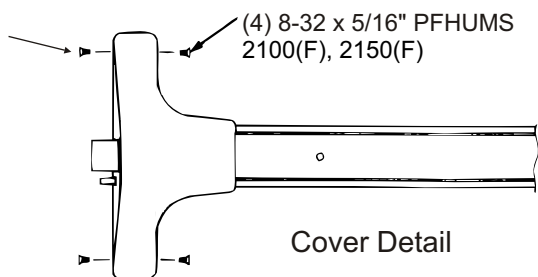
1. Position strike interlock bracket in place as shown. Locate bracket holes.
2. Prepare interlock bracket mounting holes. Mount interlock bracket (4 #10-24 PFHMS or SNB).

NOTE: Interlock bracket and screws supplied with Fire Mullion.

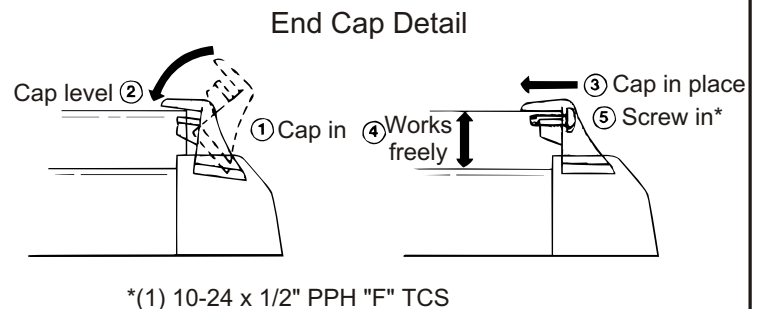
Detail E



6. Install Head Cover & End Cap Top



Cover Detail



End Cap Detail

Yale Locks & Hardware

100 Yale Avenue, Lenoir City, TN 37771-3226 Tel: 1-800-438-1951 Fax: 1-800-338-0965 www.yalelocks.com
 Yale Locks & Hardware is a division of Yale Security Inc., an ASSAABLOY Group company.

Yale® is a registered trademark of Yale Security Inc., an ASSAABLOY Group company. Other products' brand names may be trademarks or registered trademarks of their respective owners and are mentioned for reference purposes only. These materials are protected under U.S. copyright laws. All contents current at time of publication. Yale Security Inc. reserves the right to change availability of any item in this catalog, its design, construction, and/or its materials. Copyright © 2004, 2010, 2011 Yale Security Inc., an ASSA ABLOY Group company. All rights reserved. Reproduction in whole or in part without the express written permission of Yale Security Inc., an ASSA ABLOY Group company is prohibited.

YALE, with its unique global reach and range of products, is the world's favorite lock.

ASSA ABLOY is the global leader in door opening solutions, dedicated to satisfying end-user needs for security, safety and convenience.