

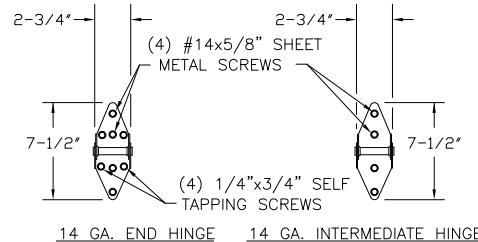
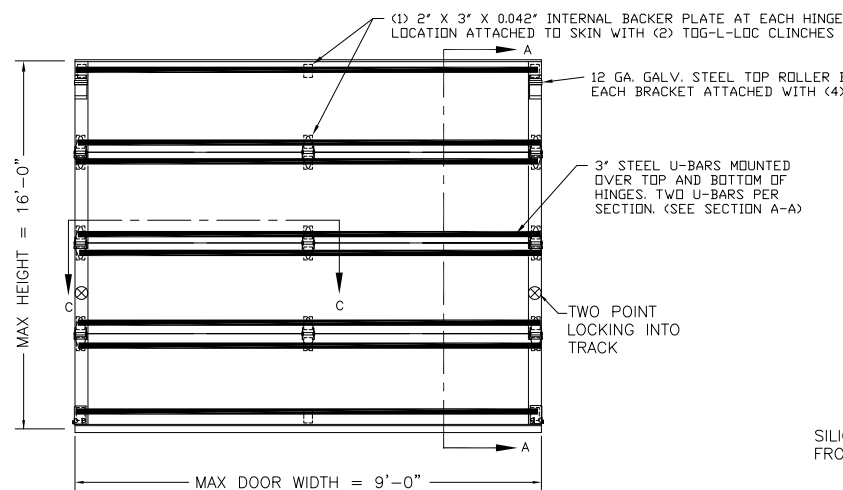
BRAND/SERIES	MODEL NUMBERS	
CLOPAY/GALLERY	GD2SP, GR2SP	GD2LP, GR2LP
HOLMES/ARTISTRY	AR2SP	AR2LP
IDEAL/EXPRESSIONS	ED2SP	ED2LP
	SHORT PANEL	LONG PANEL

TABLE 1

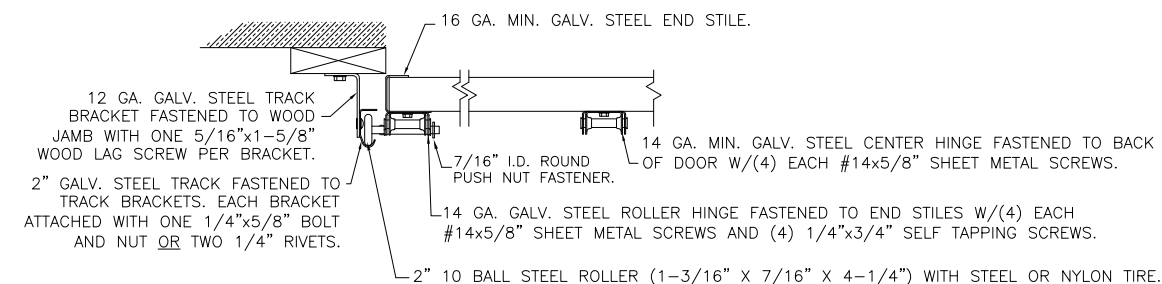
DOOR HEIGHT	NUMBER OF SECTIONS*
6'3" TO 8'0"	4
8'3" TO 10'0"	5
10'3" TO 12'0"	6
12'3" TO 14'0"	7
14'3" TO 16'0"	8

* SECTION ARE MAX 24" HIGH

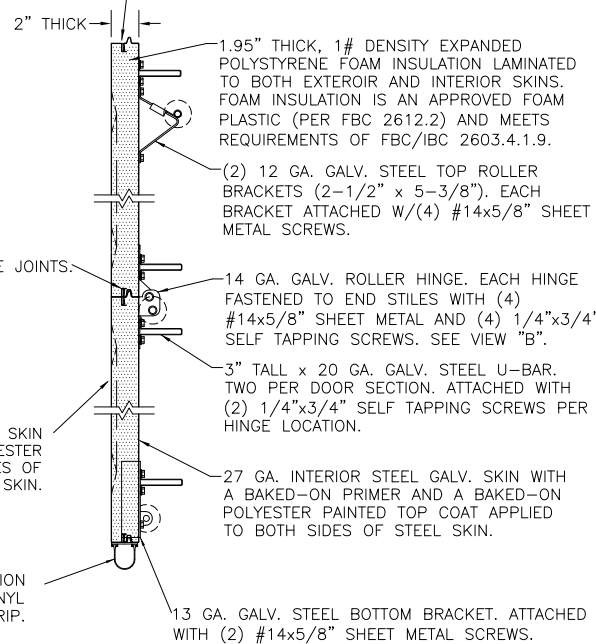
REVISIONS					
REV. NO.	ZONE:	DATE:	ECN NO.	APPVD:	DESCRIPTION
00	-	12/1/08	-	-	INITIAL RELEASE.



SECT C-C



SILICONE FILLED CHANNEL SEPARATES FRONT AND BACK SKIN OF DOOR.



PREPARATION OF JAMBS BY OTHERS

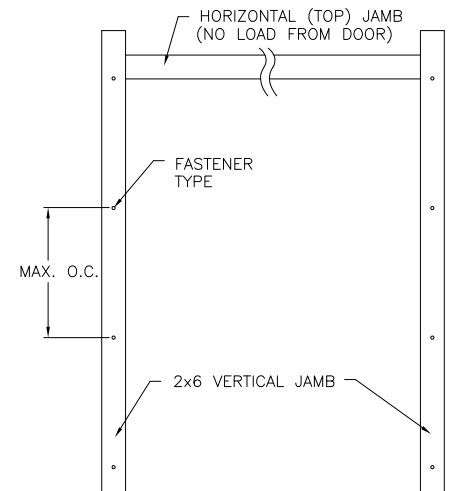
NOTE: THE DESIGN OF THE SUPPORTING STRUCTURAL ELEMENTS SHALL BE THE RESPONSIBILITY OF THE PROFESSIONAL OF RECORD FOR THE BUILDING OR STRUCTURE AND IN ACCORDANCE WITH CURRENT BUILDING CODES FOR THE LOADS LISTED ON THIS DRAWING.

JAMB TO SUPPORTING STRUCTURE ATTACHMENT

- NOTES:
- ALL THE LOAD FROM THE DOOR IS TRANSFERRED TO THE TRACK AND THEN FROM THE TRACK TO THE 2x6 VERTICAL SYP (GRADE #2 OR BETTER) JAMBS. NO LOAD FROM THE DOOR IS TRANSFERRED TO THE HORIZONTAL (TOP) JAMB.
 - ALL JAMB FASTENERS MAY BE (BUT ARE NOT REQUIRED TO BE) COUNTERSUNK TO PROVIDE A FLUSH MOUNTING SURFACE.
 - A 1/3 STRESS INCREASE FOR WIND LOAD WAS NOT USED IN THE CALCULATION OF ALLOWABLE LOADS FOR ANCHORS AND FASTENERS FOR STEEL, CONCRETE AND MASONRY.

NOTE: SUPPORTING STRUCTURAL ELEMENTS SHALL BE DESIGNED BY A REGISTERED PROFESSIONAL ENGINEER FOR WIND LOADS SHOWN ON THIS DRAWING.

THE 2x6 VERTICAL WOOD JAMBS ARE TO BE GRADE 2 OR BETTER YELLOW PINE. NO LOAD IS TRANSFERRED TO THE HORIZONTAL (TOP) JAMB. ALL JAMB FASTENERS MAY BE (BUT NOT REQUIRED) COUNTERSUNK TO PROVIDE A FLUSH MOUNTING SURFACE.



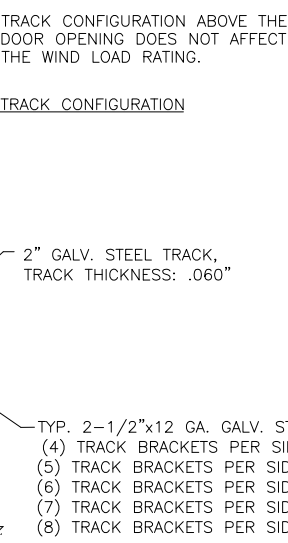
2x6 JAMB TO SUPPORTING STRUCTURE ATTACHMENT

BUILDING TYPE	FASTENER TYPE	MAXIMUM * ON CENTER DISTANCE BETWEEN FASTENERS	STEEL WASHERS REQUIRED?
C-90 BLOCK (HOLLOW OR GROUTED)	1/4" x 3" (1-1/4" EMBED) ITW TAPCON CONCRETE ANCHOR (2-1/2" MIN. EDGE DISTANCE)	7"	1" O.D.
2,000 PSI MIN. CONCRETE	1/4" x 4" (1-3/4" EMBED) ITW TAPCON CONCRETE ANCHOR (2-1/2" MIN. EDGE DISTANCE)	14-1/4"	1" O.D.
3,000 PSI MIN. CONCRETE	1/2" x 4" (2-1/4" EMBED) SIMPSON STRONG-TIE WEDGE-ALL WEDGE ANCHOR (2" MIN. EDGE DISTANCE)	14-1/2"	INCLUDED
2,000 PSI MIN. CONCRETE	1/2" x 4" (2-1/2" EMBED) WEJ-IT SLEEVE ANCHOR (2-1/2" MIN. EDGE DISTANCE)	16"	INCLUDED
WOOD FRAME	1/2" x 4" (1-5/8" EMBED) LAG SCREW (ASTM A307, GRADE A) (2-1/2" MIN. EDGE DISTANCE)	16-3/4"	1" O.D.

* - FIRST ANCHOR/SCREW STARTING FROM BOTTOM AT NO MORE THAN HALF OF MAXIMUM ON CENTER DISTANCE. HIGHEST ANCHOR/SCREW INSTALLED AT LEAST AS HIGH AS THE DOOR OPENING HEIGHT.

DESIGN LOADS: +54.0 P.S.F. & -60.0 P.S.F.
TEST LOADS: +81.0 P.S.F. & -90.0 P.S.F.

DOOR HEIGHT	BRACKET PLACEMENTS								
	"L"	"X1"	"X2"	"X3"	"X4"	"X5"	"X6"	"X7"	"X8"
6'-6"	70"	3-1/2"	10"	35"	60"	-	-	-	-
7'-0"	76"	3-1/2"	10"	38"	66"	-	-	-	-
7'-6"	82"	3-1/2"	10"	34"	58"	-	-	-	-
8'-0"	88"	3-1/2"	10"	34"	58"	-	-	-	-
8'-6"	94"	3-1/2"	10"	34"	58"	82"	-	-	-
9'-0"	100"	3-1/2"	10"	34"	58"	82"	-	-	-
9'-6"	106"	3-1/2"	10"	34"	58"	82"	-	-	-
10'-0"	112"	3-1/2"	10"	34"	58"	82"	-	-	-
10'-6"	118"	3-1/2"	10"	34"	58"	82"	106"	-	-
11'-0"	124"	3-1/2"	10"	34"	58"	82"	106"	-	-
11'-6"	130"	3-1/2"	10"	34"	58"	82"	106"	-	-
12'-0"	136"	3-1/2"	10"	34"	58"	82"	106"	-	-
12'-6"	142"	3-1/2"	10"	34"	58"	82"	106"	130"	-
13'-0"	148"	3-1/2"	10"	34"	58"	82"	106"	130"	-
13'-6"	154"	3-1/2"	10"	34"	58"	82"	106"	130"	-
14'-0"	160"	3-1/2"	10"	34"	58"	82"	106"	130"	-
14'-6"	166"	3-1/2"	10"	34"	58"	82"	106"	130"	154"
15'-0"	172"	3-1/2"	10"	34"	58"	82"	106"	130"	154"
15'-6"	178"	3-1/2"	10"	34"	58"	82"	106"	130"	154"
16'-0"	184"	3-1/2"	10"	34"	58"	82"	106"	130"	154"



THIS DOOR MEETS THE REQUIREMENTS OF THE LARGE MISSILE IMPACT AND CYCLIC TESTING.

WIND SPEED (MPH)	≤ 140	150	150
EXPOSURE LEVEL	B or C	B	C
MEAN ROOF HEIGHT	30'	30'	25'

MANUFACTURING PRODUCT CODE: DSIE-1F471

Unless Stated Otherwise TOLERANCES are:

.0 = ±.031
.00 = ±.015
.000 = ±.005
.0000 = ±.001
Degrees = ±1/2'

Unless Stated Otherwise DIMENSIONS ARE IN INCHES.

DESIGN ENGINEER: MARK W. WESTERFIELD, P.E. FLORIDA P.E. #48495, NC P.E. #23832, TEXAS P.E. #91513

Glopay 8585 Duke Boulevard Mason, OH 45040 USA Tel. No. 513-770-4800 Building Products Company Fax No. 513-770-4853

CLOPAY WINDLOAD RATING **W8**

DESCRIPTION: 2" SINGLE CAR GALLERY EPS GD2SP	DRAWN BY: BFA	DATE: 7/08/08	SCALE: NONE	DWG. SIZE: B
CHECKED BY: SH	DATE: 07/08/08	SHEET 1 OF 1	VER: IBC	