

**EVALUATION REPORT OF  
METAL SALES MANUFACTURING CORPORATION  
'24 GA. VERTICAL SEAM PANEL'**

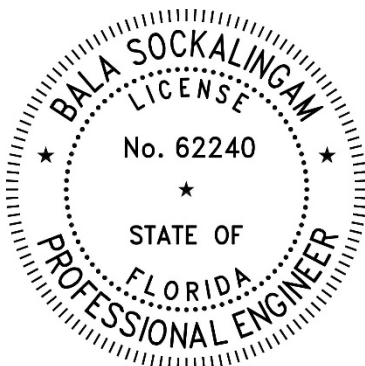
**FLORIDA BUILDING CODE 8TH EDITION (2023)  
FLORIDA PRODUCT APPROVAL  
FL 11560.8-R5  
ROOFING  
METAL ROOFING**

**Prepared For:  
Metal Sales Manufacturing Corporation  
7800 Highway 60  
Sellersburg, IN 47172  
Telephone: (502) 855-4300  
Fax: (502) 855-4200**

**Prepared By:  
Bala Sockalingam, Ph.D., P.E.  
Florida Professional Engineer #62240  
1216 N Lansing Ave., Suite C  
Tulsa, OK 74106  
Telephone: (918) 492-5992**

**This report consists of  
Evaluation Report (3 Pages including cover)  
Installation Details (1 Page)  
Load Span Table (1 Page)**

**Report No. C2672-8  
Date: 8.3.2023**

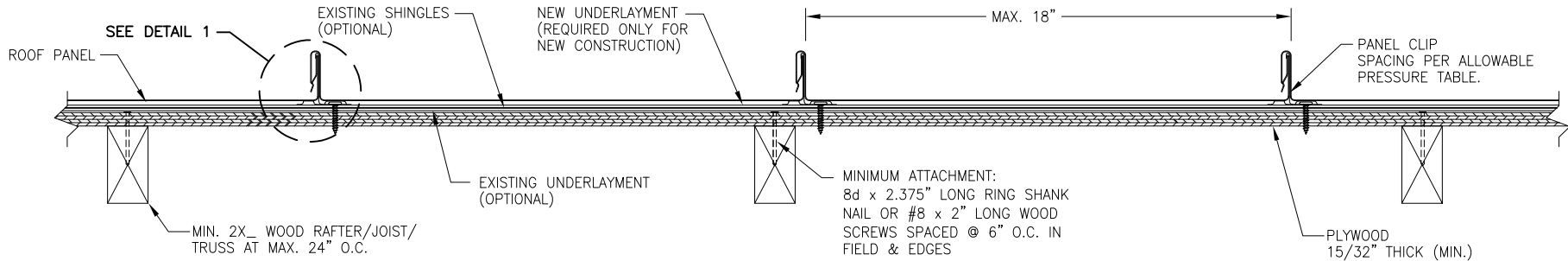


This item has been digitally signed and sealed by Bala Sockalingam, PE, on the date indicated.

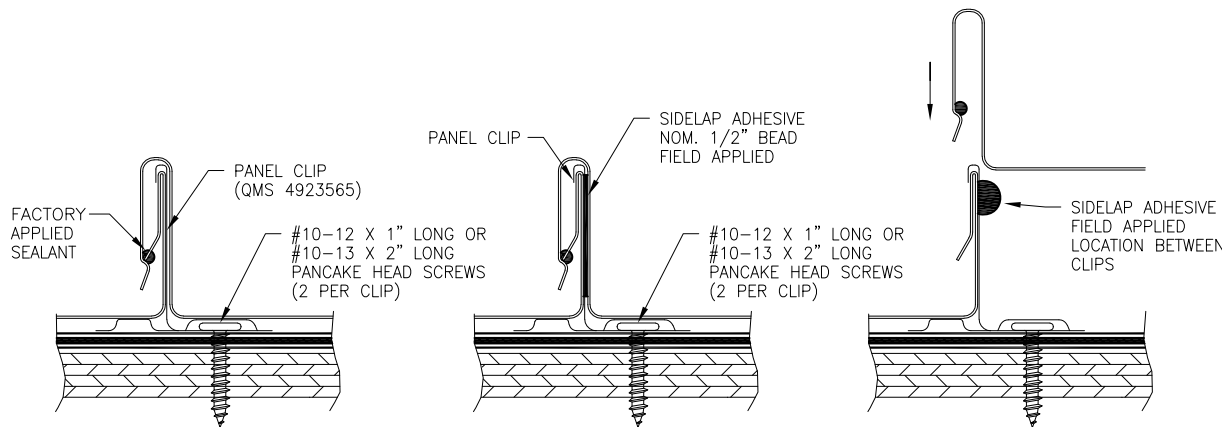
Printed copies of this document are not considered signed and sealed and this signature must be verified on any electronic copies.

Manufacturer:	Metal Sales Manufacturing Corporation
Product Name:	Vertical Seam
Panel Description:	Standing seam panel with max. 18" wide coverage and 1.75" high ribs
Materials:	Min. 24 ga., 50 ksi steel. Galvanized coated steel (ASTM A653) or Galvalume coated steel (ASTM A792) or painted steel (ASTM A755). Pre-painted panels are required for use with adhesive. Corrosion resistant as per FBC 2023 Section 1507.4.3.
Deck Description:	Min. 15/32" thick plywood or min. 3/4" thick wood plank (min SG of 0.42) for new and existing constructions. Designed and installed as per FBC 2023.
Deck Attachment: (Minimum)	8d x 2.5" long ring shank nails or #8 x 2" long wood screws at 6" o.c. in the field and edges. Designed as per FBC 2023.
New Underlayment:	Minimum underlayment as per FBC 2023 Section 1507.4.5.1. Required for new construction and optional for reroofing construction.
Existing Underlayment: (Optional)	One layer of asphalt shingles over one layer of #30 felt. For reroofing construction only.
Slope:	1/4:12 or greater in accordance with FBC 2023 Section 1507.4.2
Design Uplift Pressure: (Factor of Safety = 2)	30.0 psf at clip spacing of 48" o.c. 82.5 psf at clip spacing of 12" o.c. 105.0 psf at clip spacing of 12" o.c. with 1/2" bead adhesive field applied in panel sidelap
Fastening Pattern: At panel seam	Panel clip (QMS 4923565) with (2) #10-12 x 1" long pancake head screws per clip for new and recovered deck. Panel clip (QMS 4923565) with (2) #10-13 x 2" long pancake head screws per clip for existing deck with asphalt shingles. Fastener shall be of sufficient length to penetrate through the deck a minimum of 1/4". Clips and fasteners are corrosion resistant as per FBC 2023 Section 1506.7 and 1507.4.4, respectively.
Adhesive:	Geocel 4600™ Structural Adhesive Sealant. Applied in accordance with manufacturer's suggested installation.
Test Standards:	Roof assembly tested in accordance with UL580-06 'Uplift Resistance of Roof Assemblies' & UL1897-04 'Uplift Tests for Roof Covering Systems'.

- Test Equivalency: The test procedures in UL 1897-04 comply with test procedures prescribed in UL 1897-15.
- Code Compliance: The product described herein has demonstrated compliance with FBC 2023 Section 1507.4.
- Product Limitations: Design wind loads shall be determined for each project in accordance with FBC 2023 Section 1609 or ASCE 7-22 using allowable stress design. The maximum clip spacing listed herein shall not be exceeded. The design pressure for reduced clip spacing may be computed using rational analysis prepared by a Florida Professional Engineer or based on Metal Sales load span table. This evaluation report is not applicable in High Velocity Hurricane Zone. Refer to current NOA for use of this product in High Velocity Hurricane Zone. Fire classification is not within the scope of this Evaluation Report. Refer to FBC 2023 Section 1505 and current approved roofing materials directory or ASTM E108/UL790 report from an accredited laboratory for fire ratings of this product.
- Supporting Documents: UL580 & 1897 Test Reports  
PRI Construction Materials Technologies  
MSMC-015-02-01, Reporting Date 9/20/2013  
MSMC-022-02-01, Reporting Date 1/23/2014



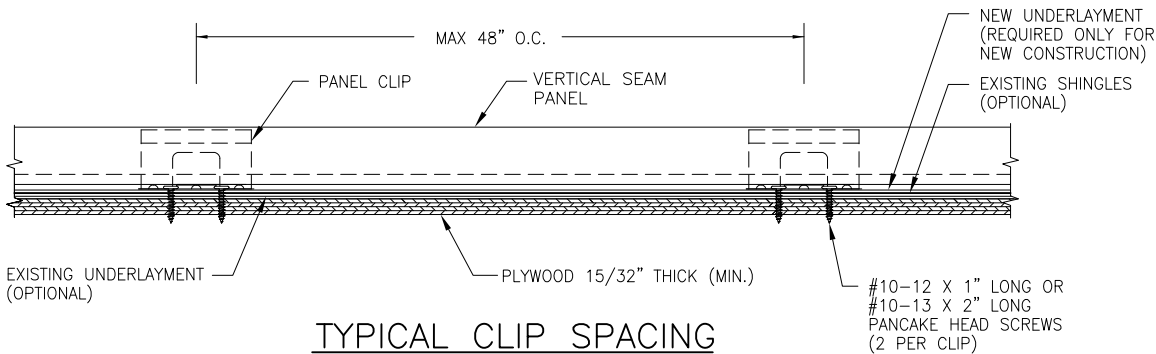
**TYPICAL PANEL INSTALLATION X-SECTION**



**CLIP**

**DETAIL 1**

**CLIP & ADHESIVE**



**TYPICAL CLIP SPACING**

**GENERAL NOTES:**

1. ARCHITECTURAL STANDING SEAM ROOF PANEL HAS BEEN DESIGNED IN ACCORDANCE WITH THE FLORIDA BUILDING CODE (FBC).
2. ROOF PANELS SHALL BE MIN. 24 GA. MAX. EFFECTIVE COVERING WIDTH OF PANEL = 18".
3. THE ROOF PANELS SHALL BE INSTALLED OVER SHEATHING & STRUCTURE AS SPECIFIED ON THIS DRAWING.
4. REQUIRED DESIGN WIND LOADS SHALL BE DETERMINED FOR EACH PROJECT. THIS PANEL SYSTEM MAY NOT BE INSTALLED WHEN THE REQUIRED DESIGN WIND LOADS ARE GREATER THAN THE DESIGN UPLIFT PRESSURES SPECIFIED ON THIS DRAWING.
5. ALL FASTENERS MUST BE IN ACCORDANCE WITH THIS DRAWING & THE FLORIDA BUILDING CODE. IF A DIFFERENCE OCCURS BETWEEN THE MINIMUM REQUIREMENTS OF THIS DRAWING & THE CODE, THE CODE SHALL CONTROL.
6. RAFTERS/JOISTS/TRUSSES MUST BE DESIGNED TO WITHSTAND WIND LOADS AS REQUIRED FOR EACH APPLICATION AND ARE THE RESPONSIBILITY OF OTHERS.

DRAWN BY: B.S.	CHECKED BY: D.S.
PLOT:	DATE: 7/18/2023
DATE	
BY	
REVISION DESCRIPTION	
NO.	
DRAWING TITLE <b>VERTICAL SEAM PANEL</b>	
MANUFACTURER <b>METAL SALES MANUFACTURING CORP.</b>	
CONSULTANTS <b>BALA SOCKALINGAM, PH.D., P.E.</b>	
1216 N LANSING AVE, SUITE C TULSA, OK 74106 PHONE: 918-492-5992 FAX: 866-366-1543	
7800 HIGHWAY 60 SELLERSBURG, IN 47172 502-855-4300	
DRAWING NO. <b>2672-8</b>	REV.
PAGE NO. <b>1</b>	OF <b>1</b>

**METAL SALES MANUFACTURING CORPORATION**  
**Vertical Seam Uplift Loads**  
**(Min. 24 ga.)**

Description	Fastener Spacing along Panel Length (in)	Allowable Uplift Load (psf)
Coverage width: 18"  Clip: QMS 4923565  Clip Fastener: (2) #10-12 x 1" long pancake head screws or (2) #10-13 x 2" long pancake head screws	<b>12</b>	<b>82.5</b>
	14	79.6
	16	76.7
	18	73.8
	20	70.8
	22	65.5
	24	60.0
	26	55.4
	28	51.4
	30	48.0
	32	45.0
	34	42.4
	36	40.0
	38	37.9
	40	36.0
	42	34.3
	44	32.7
	46	31.3
<b>48</b>	<b>30.0</b>	
With Sidelap Sealant	<b>12</b>	<b>105.0</b>

**Notes:**

1. The bold numbers indicate design loads calculated from test data with safety factor of 2.
2. Panels must be installed as per Evaluation Report FL 11560.8 and Metal Sales current installation procedure.
3. Three or more spans condition.
4. Optional wood purlins must be spaced same as panel clip spacing along the panel length.