

**EVALUATION REPORT OF
METAL SALES MANUFACTURING CORPORATION
'26 GA. CLASSIC RIB PANEL'**

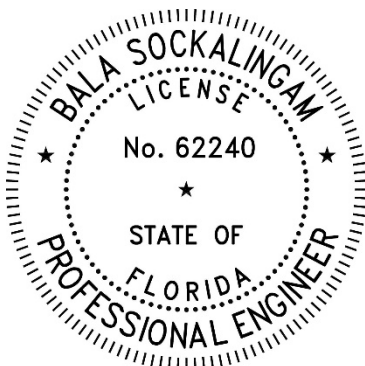
**FLORIDA BUILDING CODE 8TH EDITION (2023)
FLORIDA PRODUCT APPROVAL
FL 14645.7-R5
ROOFING
METAL ROOFING**

**Prepared For:
Metal Sales Manufacturing Corporation
7800 Highway 60
Sellersburg, IN 47172
Telephone: (502) 855-4300
Fax: (502) 855-4200**

**Prepared By:
Bala Sockalingam, Ph.D., P.E.
Florida Professional Engineer #62240
1216 N Lansing Ave., Suite C
Tulsa, OK 74106
Telephone: (918) 492-5992
FAX: (866) 366-1543**

**This report consists of
Evaluation Report (3 Pages including cover)
Installation Details (1 Page)**

**Report No. C2673-7
Date: 8.3.2023**



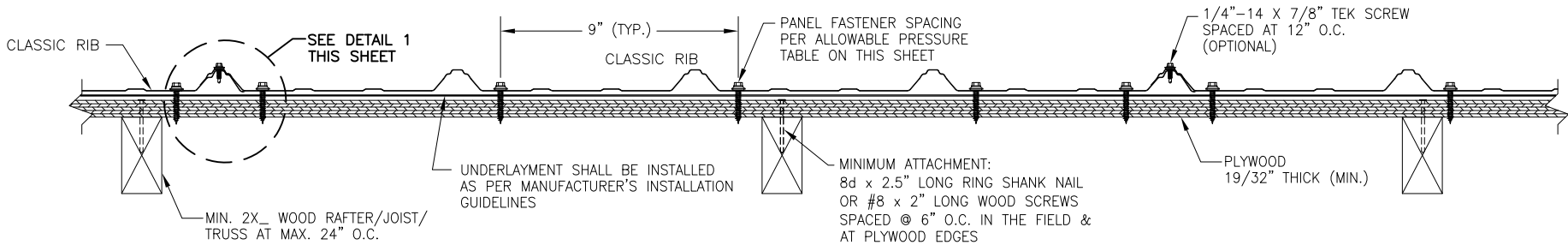
This item has been digitally signed and sealed by Bala Sockalingam, PE, on the date indicated.

Printed copies of this document are not considered signed and sealed and this signature must be verified on any electronic copies.

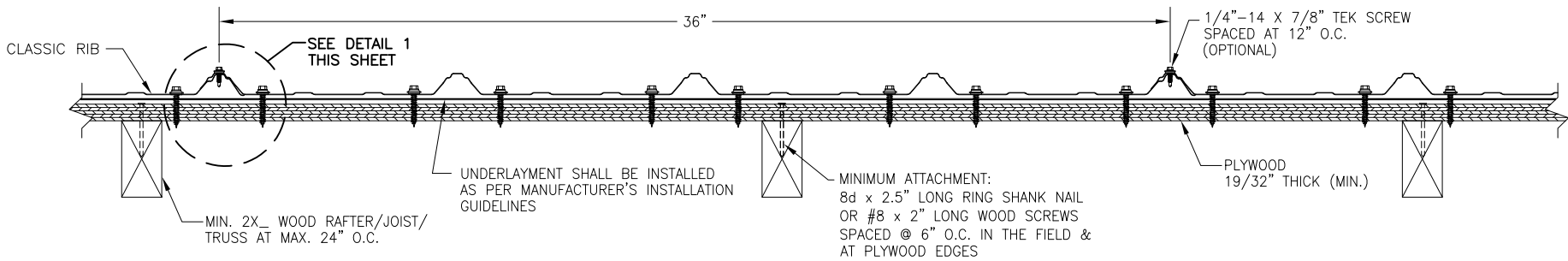
Manufacturer:	Metal Sales Manufacturing Corporation
Product Name:	Classic Rib
Panel Description:	36" wide coverage with (5) 3/4" high ribs
Materials:	Min. 26 ga., 80 ksi steel or min. 24 ga., 50 ksi steel. Galvanized coated steel (ASTM A653) or Galvalume coated steel (ASTM A792) or painted steel (ASTM A755). Corrosion resistant as per FBC 2023 Section 1507.4.3.
Deck Description:	Min. 19/32" thick plywood or min. 3/4" thick wood plank (min SG of 0.42) for new and existing constructions. Designed by others and installed as per FBC 2023.
Deck Attachment: (Minimum)	8d x 2.5" long ring shank nails or #8 x 2" long wood screws at 6" o.c. in the field and edges. Designed as per FBC 2023.
Underlayment:	Minimum underlayment as per FBC 2023 Section 1507.4.5.1.
Slope:	1/2:12 or greater in accordance with FBC 2023 Section 1507.4.2. Requires applied lap sealant for roof slopes less than 3:12.
Design Uplift Pressure: (Factor of Safety = 2)	74.8 psf at fastener spacing of 36" o.c. 92.3 psf at fastener spacing of 24" o.c. 133.9 psf at fastener spacing of 18" o.c.
Fastener Pattern: Type:	#9-16 or #10-14 hex head wood screws with sealed washer. Fastener shall be of sufficient length to penetrate through the deck a minimum of 3/8". Fasteners are corrosion resistant as per FBC 2023 Section 1507.4.4.
At panel ends	at 3.5"-5.5"-3.5" o.c. across panel width
At intermediate	at 9" o.c. across panel width with two fasteners at each sidelap.
Sidelap Attachment: (Optional)	1/4"-14 x 7/8" long SDS with washer at 12" o.c. Recommended for roof slope less than 3:12. Fasteners are corrosion resistant as per FBC 2023 Section 1507.4.4.
Test Standards:	Roof assembly tested in accordance with TAS 125-03 'Standard Requirements for Metal Roofing Systems'.
Code Compliance:	The product described herein has demonstrated compliance with FBC 2023 Section 1507.4.

Product Limitations: Design wind loads shall be determined for each project in accordance with FBC 2023 Section 1609 or ASCE 7-22 using allowable stress design. The maximum fastener spacing listed herein shall not be exceeded. This evaluation report is not applicable in High Velocity Hurricane Zone. Fire classification is not within the scope of this Evaluation Report. Refer to FBC 2023 Section 1505 and current approved roofing materials directory or ASTM E108/UL790 report from an accredited laboratory for fire ratings of this product.

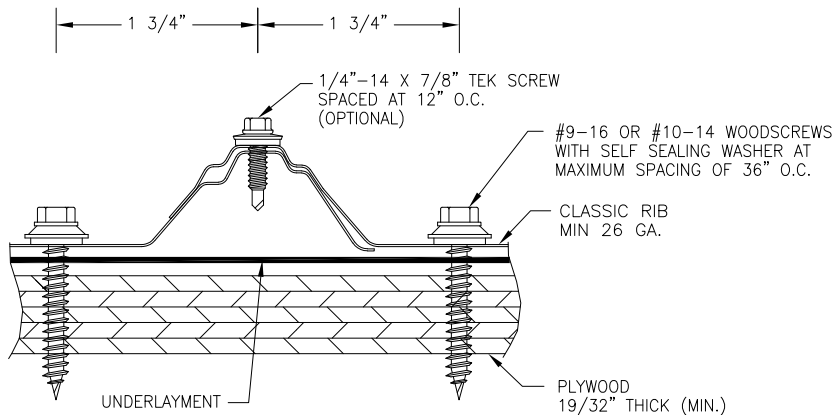
Supporting Documents: TAS 125 Test Reports
Farabaugh Engineering and Testing Inc.
Project No. T193-05, Reporting Date 9/12/2005
Project No. T240-07, Reporting Date 7/12/2007



FASTENER PATTERN AT INTERMEDIATE LOCATIONS



**FASTENER PATTERN AT PANEL ENDS
TYPICAL PANEL INSTALLATION X-SECTION**



DETAIL 1

ALLOWABLE UPLIFT PRESSURE

FASTENER SPACING (IN)	PRESSURE (PSF)
36	74.8
24	92.3
18	133.9

GENERAL NOTES:

1. ARCHITECTURAL ROOF PANEL HAS BEEN DESIGNED IN ACCORDANCE WITH THE FLORIDA BUILDING CODE (FBC).
2. ROOF PANELS SHALL BE MIN. 26 GA. (t = 0.0181"). EFFECTIVE COVERING WIDTH OF PANEL = 36".
3. THE ROOF PANELS SHALL BE INSTALLED OVER SHEATHING & STRUCTURE AS SPECIFIED ON THIS DRAWING.
4. REQUIRED DESIGN WIND LOADS SHALL BE DETERMINED FOR EACH PROJECT. THIS PANEL SYSTEM MAY NOT BE INSTALLED WHEN THE REQUIRED DESIGN WIND LOADS ARE GREATER THAN THE ALLOWABLE WIND LOADS SPECIFIED ON THIS DRAWING.
5. ALL FASTENERS MUST BE IN ACCORDANCE WITH THIS DRAWING & THE FLORIDA BUILDING CODE. IF A DIFFERENCE OCCURS BETWEEN THE MINIMUM REQUIREMENTS OF THIS DRAWING & THE CODE, THE CODE SHALL CONTROL.
6. RAFTERS/JOISTS/TRUSSES MUST BE DESIGNED TO WITHSTAND WIND LOADS AS REQUIRED FOR EACH APPLICATION AND ARE THE RESPONSIBILITY OF OTHERS.
7. REQUIRES APPLIED LAP SEALANT FOR ROOF SLOPE < 3:12.

DRAWN BY: B.S. CHECKED BY: D.S.
 PLOT: DATE: 7/19/2023

NO.	REVISION DESCRIPTION	BY	DATE

MANUFACTURER
METAL SALES MANUFACTURING CORP.
 7800 HIGHWAY 60
 SELLERSBURG, IN 47172
 502-855-4300

DRAWING TITLE
CLASSIC RIB PANEL
 CONSULTANTS
BALA SOCKALINGAM, PH.D., P.E.
 1216 N LANSING AVE, SUITE C
 TULSA, OK 74106
 PHONE: 918-492-5992 FAX: 866-366-1543

DRAWING NO. REV.
2673-7

PAGE NO.
 1 OF 1