

## Evaluation Report "MMI-2B" Off Ridge Vent with Detachable Baffle Ridge Vent Assembly

**Manufacturer:**  
**Millennium Metals, Inc.**  
10200 Eastport Road  
Jacksonville, FL 32218  
(877) 358-7663

*for*

**Florida Product Approval**

**# FL 16568.2 R1**

**Florida Building Code 5th Edition (2014)**

**Per Rule 61G20-3**

**Method: 2 - B**

**Category: Roofing**

**Sub - Category: Roofing Accessories that are an Integral  
Part of the Roof System**

**Product:** "MMI-2B" Off Ridge Vent with Detachable Baffle

**Material:** Steel or Aluminum

**Support:** Wood Deck

**Prepared by:**

James L. Buckner, P.E., SECB  
Florida Professional Engineer # 31242  
Florida Evaluation ANE ID: 1916  
Project Manager: Youry Demosthenes  
Report No. 15-104-MMI-2B-ORV-ER\_14  
Date: 2 / 26 / 15

Secure Electronic Seal for Electronic Submittal



A handwritten signature in black ink, appearing to read "James L. Buckner".

Digitally Signed by: James L. Buckner, P.E.

Contents:

Evaluation Report                      Pages 1 – 7

**CBUCK, Inc.**

1399 N. Killian Drive, Suite 4, West Palm Beach, Florida 33403  
Phone: (561)491-9927 Fax: (561)491-9928 Website: [www.cbuckinc.net](http://www.cbuckinc.net)

2015.03.02 10:57:51 -05'00'

<b>Manufacturer:</b>	Millennium Metals, Inc.
<b>Product Name:</b>	“MMI-2B” Off Ridge Vent with Detachable Baffle
<b>Product Category:</b>	Roofing
<b>Product Sub-Category</b>	Roofing Accessories that are an Integral part of the Roofing System
<b>Compliance Method:</b>	State Product Approval Rule 61G20-3.005 (2) (b)
<b>Product/System Description:</b>	“MMI-2B” Off Ridge Vent with Detachable Baffle Steel or Aluminum off ridge vent for shingle roofs mechanically attached to Plywood Deck.
<b>Product Assembly as Evaluated:</b>	Refer to Page 4 of this report for product assembly components/materials & standards: <ol style="list-style-type: none"><li>1. Off Ridge Vent</li><li>2. Fasteners</li><li>3. Roof Cement</li></ol>
<b>Support:</b>	<b>Type:</b> Wood Deck  (Design of support and its attachment to support framing is outside the scope of this evaluation.)  <b>Description:</b> <ul style="list-style-type: none"><li>• 15/32 (min.) or greater plywood,</li><li>• or Wood plank (min. specific gravity of 0.42)</li></ul>
<b>Slope:</b>	2 : 12 or Greater

**Performance Standards:** The following test protocols were performed to demonstrate compliance with the intent of the code as this product is not addressed specifically in the code.

- **TAS-100(A)-95** - *Wind and Wind Driven Rain Resistance and/or Increased Windspeed Resistance of Soffit Ventilation Strip and Continuous or Intermittent Ventilation System Installed at the Ridge Area.*

**Code Compliance:** The product described herein has demonstrated compliance with Florida Building Code 5th Edition (2014), Section 1709.2.

**Evaluation Report Scope:** This product evaluation is limited to compliance with the structural requirements of the Florida Building Code, as related to the scope section to Florida Product Approval Rule 61G20-3.001.

**Limitations and Conditions of Use:**

- Scope of "Limitations and Conditions of Use" for this evaluation:  
This evaluation report for "Optional Statewide Approval" contains technical documentation, specifications and installation method(s) which include "Limitations and Conditions of Use" throughout the report in accordance with Rule 61G20-3.005. Per Rule 61G20-3.004, the Florida Building Commission is the authority to approve products under "Optional Statewide Approval".
- Option for application outside "Limitations and Conditions of Use"  
Rule 61G20-3.005(1)(e) allows engineering analysis for "project specific approval by the local authorities having jurisdiction in accordance with the alternate methods and materials authorized in the Code". Any modification of the product as evaluated in this report and approved by the Florida Building Commission is outside the scope of this evaluation and will be the responsibility of others.
- This product has been evaluated to a maximum height of 33 feet.
- This product shall not be installed on roof slopes less than 2 : 12.
- Refer to applicable building code for ventilation requirements.
- Design of support system is outside the scope of this report.
- Fire Classification is outside the scope of Rule 61G20-3, and is therefore not included in this evaluation.
- This evaluation report does not evaluate the use of this product for use in the High Velocity Hurricane Zone code section. (Dade & Broward Counties)

**Quality Assurance:** The manufacturer has demonstrated compliance of roof panel products in accordance with the Florida Building Code and Rule 61G20-3.005 (3) for manufacturing under a quality assurance program audited by an approved quality assurance entity through **Keystone Certifications, Inc.** (FBC Organization #: QUA 1824).

**Components/Materials  
(by Manufacturer):**

**Ridge Vent:**

Material Type 1:

Thickness:  
Yield Strength:  
Corrosion Resistance:

“MMI-2B” Off Ridge Vent with Detachable Baffle

**Steel**

26 gauge (min.)  
40 ksi min.  
In compliance with FBC Section 1507.4.3:  
• ASTM A792 coated, or  
• ASTM A653 G90 galvanized steel

Material Type 2:

Thickness:  
Alloy Type:  
Corrosion Resistance:

**Aluminum**

0.025” (min.)  
3105-H14  
In compliance with FBC Section 1507.4.3:  
• ASTM B209

**Nominal Dimensions:**

Width: 24”  
Height: 4-1/2”  
Lengths: 2’, 4’, 6’, 8’ and 10’

**Fastener(s):**

Base Fastener:

Purpose:  
Type:  
Size :  
Corrosion Resistance:  
Standard:

Attaches Ridge Vent Base Flange to Deck  
Annular Ring Shank Roofing Nails  
11 gauge x 1-1/2”  
Per FBC Section 1506.5  
Per ASTM F 1667

Alternate Fastener:

Purpose:  
Type:  
Size :  
Corrosion Resistance:  
Standard:

Attaches Ridge Vent Base Flange to Deck  
Hex-Head Wood Screw  
#10 x 1-1/2” (min.)  
Per FBC Section 1506.6 and 1507.4.4  
Per ANSI/ASME B18.6.4

**Roof Cement:**

Type:  
Application Size :  
Standard:

Asbestos-free asphalt based roof cement w/ SBS rubber  
1/4” thick minimum  
Per ASTM D 3019 Type III and ASTM D 3409

**Installation:**

**Installation Method:**

(Refer to drawings on Pages 6-7 of this report.)

- Prepare deck opening by trimming any shingles & nails that may interfere with ridge vent installation.
- Apply roof cement to the underside, back and side flanges of the ridge vent. Cement should be a 1/4" thick and extend 2" onto roof underlayment. (Install cement in compliance with manufacturer's installation guidelines.)
- Position vent flange beneath loosened shingles and align with deck opening.
- Slide baffle onto lower roof vent flange and secure with nails or screws spaced **4" o.c.**
- Attach vent top and side flanges to deck with nails or screws spaced **4" o.c.** and 1-1/2" from each end.
- Minimum fastener penetration thru bottom of support, 3/16".

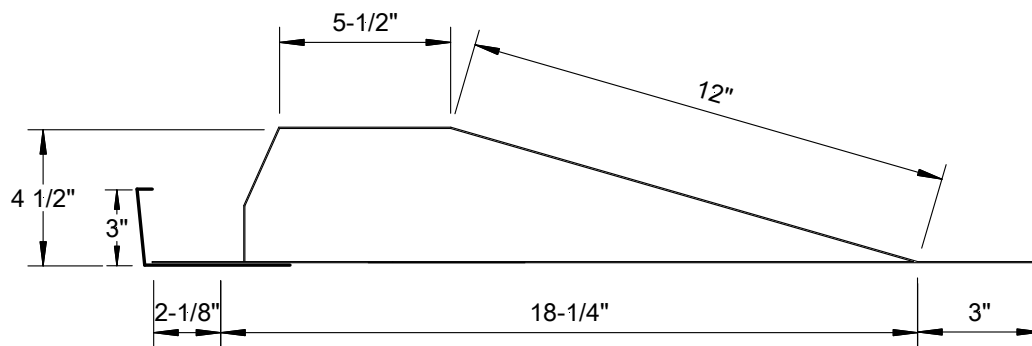
Install the "MMI-2B Off Ridge Vent with Detachable Baffle" assembly in compliance with the installation method listed in this report and applicable code sections of FBC 5th Edition (2014). The installation method described herein is in accordance with the scope of this evaluation report. Refer to manufacturer's installation instructions as a supplemental guide for attachment.

**Referenced Data:**

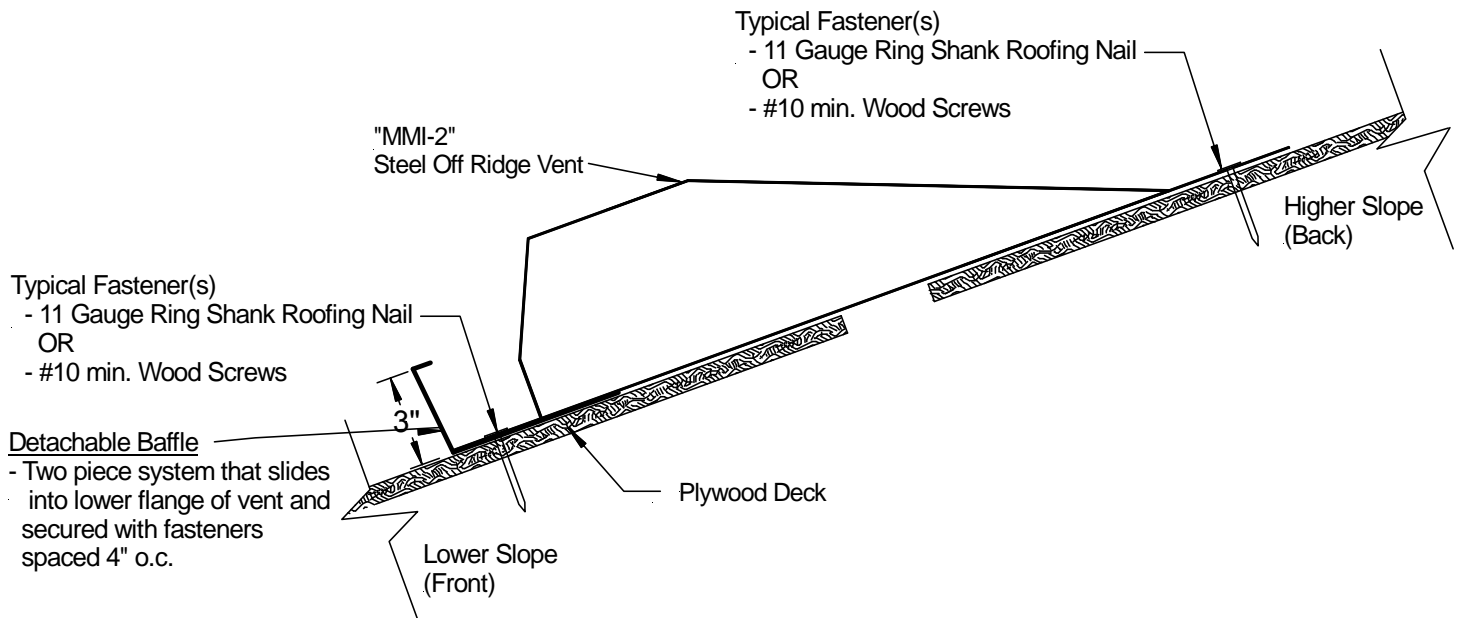
1. TAS 100(A)-95 Test  
Architectural Testing, Inc.(FBC Organization #TST ID: 1527)  
Report #: D0249.01-450-18, Report Date: 8 / 29 / 13
2. Quality Assurance  
By Keystone Certifications, Inc. (QUA ID: 1824)  
Millennium Metals Licensee # 423
3. Certification of Independence  
By James L. Buckner, P.E. @ CBUGK Engineering  
(FBC Organization # ANE 1916)

## Installation Method Millennium Metals, Inc. "MMI-2B" Off Ridge Vent with Detachable Baffle Attached to Wood Deck

### Profile Drawings

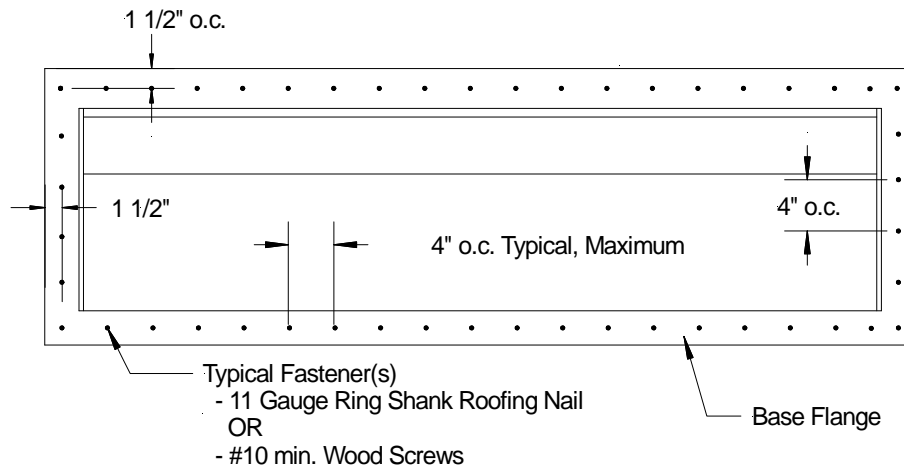


Side View (Not To Scale)

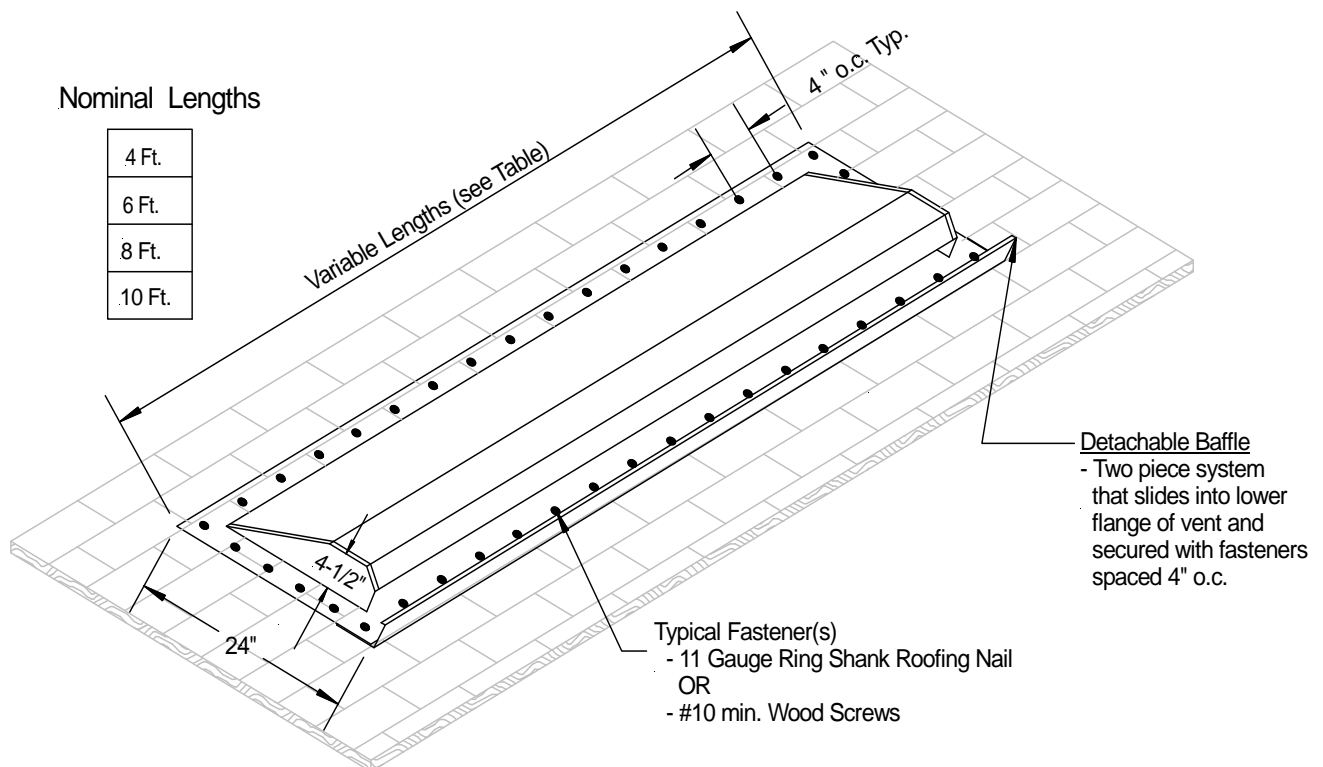


Typical Side View (Not To Scale)

## Installation Method Millennium Metals, Inc. "MMI-2B" Off Ridge Vent with Detachable Baffle Attached to Wood Deck



**Top Plan View (Not To Scale)**  
**(Typical Fastening Pattern)**



**Typical Ridge Vent Assembly**  
**Isometric View (Not To Scale)**