

Evaluation Report "Rib Panel" Metal Roof Assembly

Manufacturer:
Millennium Metals, Inc.
10200 Eastport Road
Jacksonville, FL 32218
(877) 358-7663
for
Florida Product Approval

FL 5211.2 R6

Florida Building Code 5th Edition (2014)

Per Rule 61G20-3

Method: 1 - D

Category: Roofing

Sub - Category: Metal Roofing

Product: "Rib Panel"
Material: Steel
Panel Thickness: 29 gauge, Minimum
Panel Width: 36"
Support: Wood Deck

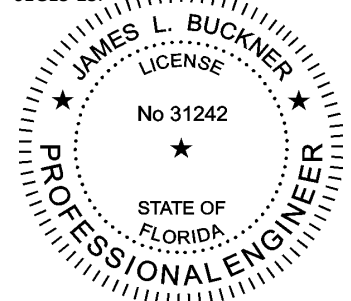
Prepared by:

James L. Buckner, P.E., SECB
Florida Professional Engineer # 31242
Florida Evaluation ANE ID: 1916
Project Manager: Youry Demosthenes
Report No. 15-104-Rib-S9W-ER
(Revises 12-117-Rib-S9W-ER)
Date: 7 / 1 / 15

Contents:

Evaluation Report Pages 1 – 8

Digitally signed by James L. Buckner, P.E.
Electronically signed and sealed documents
shall comply with the provisions of FAC Rule
61G15-23.



A handwritten signature in blue ink, appearing to read "James L. Buckner".

2015.07.01 11:03:27 -04'00'

Manufacturer:	Millennium Metals, Inc.
Product Name:	“Rib Panel”
Product Category:	Roofing
Product Sub-Category	Metal Roofing
Compliance Method:	State Product Approval Rule 61G20-3.005 (1) (d)
Product/System Description:	“Rib Panel” 29 gauge (Minimum Thickness) Steel roof panel mechanically attached to Plywood Deck with screws.
Product Assembly as Evaluated:	Refer to Page 4 of this report for product assembly components/materials & standards: <ol style="list-style-type: none">1. Roof Panel2. Fasteners3. Underlayment4. Insulation (Optional)5. Barrier Board (Optional)
Support:	Type: Wood Deck (Design of support and its attachment to support framing is outside the scope of this evaluation.) Description: <ul style="list-style-type: none">• 15/32 (min.) or 19/32” (min.) or greater plywood,• or Wood plank (min. specific gravity of 0.42)
Slope:	Minimum slope shall be in compliance with FBC Chapter 15 Section 1507.4.2, applicable code sections and in accordance with manufacturer’s recommendations.
Performance:	Wind Uplift Resistance: <ul style="list-style-type: none">• Design Uplift Pressure: Refer to Table “A” (Refer to “Table A” attachment details herein)

- Performance Standards:** The product described herein has demonstrated compliance with:
- UL580-06 – *Test for Uplift Resistance of Roof Assemblies*
 - UL 1897-04 – *Uplift test for roof covering systems*
- Standards Equivalency:**
- The UL 580-94 standard version used to test the evaluated product assembly is equivalent to UL580-06 standard version adopted by the Florida Building Code 5th Edition (2014).
 - The UL 1897-98 standard version used to test the evaluated product assembly is equivalent to UL1897-04 standard version adopted by the Florida Building Code 5th Edition (2014).
- Code Compliance:** The product described herein has demonstrated compliance with Florida Building Code 5th Edition (2014), Section 1504.3.2.
- Evaluation Report Scope:** This product evaluation is limited to compliance with the structural requirements of the Florida Building Code, as related to the scope section to Florida Product Approval Rule 61G20-3.001.
- Limitations and Conditions of Use:**
- Scope of “Limitations and Conditions of Use” for this evaluation:
This evaluation report for “Optional Statewide Approval” contains technical documentation, specifications and installation method(s) which include “Limitations and Conditions of Use” throughout the report in accordance with Rule 61G20-3.005. Per Rule 61G20-3.004, the Florida Building Commission is the authority to approve products under “Optional Statewide Approval”.
 - Option for application outside “Limitations and Conditions of Use”
Rule 61G20-3.005(1)(e) allows engineering analysis for “project specific approval by the local authorities having jurisdiction in accordance with the alternate methods and materials authorized in the Code”. Any modification of the product as evaluated in this report and approved by the Florida Building Commission is outside the scope of this evaluation and will be the responsibility of others.
 - Design of support system is outside the scope of this report.
 - Fire Classification is outside the scope of Rule 61G20-3, and is therefore not included in this evaluation.
 - This evaluation report does not evaluate the use of this product for use in the High Velocity Hurricane Zone code section. (Dade & Broward Counties)
 - This metal roof system was tested to transmit the roof loads directly to the building structural support deck.
- Quality Assurance:** The manufacturer has demonstrated compliance of roof panel products in accordance with the Florida Building Code and Rule 61G20-3.005 (3) for manufacturing under a quality assurance program audited by an approved quality assurance entity through **Keystone Certifications, Inc.** (FBC Organization #: QUA 1824).

**Components/Materials
(by Manufacturer):**

Roof Panel:

Material:
Thickness:
Panel Width:
Rib Height:
Yield Strength:
Corrosion Resistance:

Rib Panel

Steel
29 gauge (min.)
36" (max.) Coverage
3/4"
40 ksi min.
In compliance with FBC Section 1507.4.3:

- ASTM A792 coated, or
- ASTM A653 G90 galvanized steel

Fastener:

Type:
Size :

Corrosion Resistance:
Standard:

Hex-Head Wood Screw with WSW
#10 x 1-1/2"
or min. length to penetrate deck, 3/16"
Per FBC Section 1506.6 and 1507.4.4
Per ANSI/ASME B18.6.4

**Components/Materials
(by Others):**

Underlayment:

Material and application shall be in compliance with FBC Section 1507.4.5.1 and 1507.4.5.2, applicable codes and in accordance with manufacturer's recommendations.

Insulation (Optional):

Type: Rigid Insulation Board
Thickness: 3" (max.)
Properties:
Density: 2.25 pcf (lbs/ft³) min.
Or Compressive Strength: 20 psi min.

Insulation Notes:

- Rigid Insulation shall meet minimum density OR compressive strength.
- Insulation shall comply with FBC Section 1508. When insulation is incorporated, fastener length shall conform to penetrate thru bottom of support a minimum of 3/16".

Barrier (Optional):

Barrier Board: Approved Barrier, up to 1/2" thick

Installation:

Installation Method:

(Refer to drawings on Pages 6-8 of this report.)

- Fastener spacing: **Refer to Table "A" Below**
(along the length of the panel)
- Row Spacing: **Refer to Table "A" Below**
(along the row, across the panel profile)
- Rib Interlock: Lapped
- Minimum fastener penetration thru bottom of support, 3/16".
- For panel construction at the end of panels, refer to manufacturer's instructions and any site specific design.

TABLE "A"					
ALLOWABLE LOADS					
	Deck Thickness	Fastener Spacing	Row Spacing	Refer to Drawings	* Design Pressure (PSF)
METHOD 1	15/32"	9"	24"	A	- 47.5
METHOD 2	15/32"	9"	12"	A	- 95
METHOD 3	15/32"	5",4",5",4",... Pattern	16"	B	- 113.75
METHOD 4	19/32"	9"	16"	A	- 71
METHOD 5	19/32"	5",4",5",4",... Pattern	16"	B	- 144.25
* Allowable design pressure for allowable stress design (ASD) with a margin of safety of 2 to 1.					

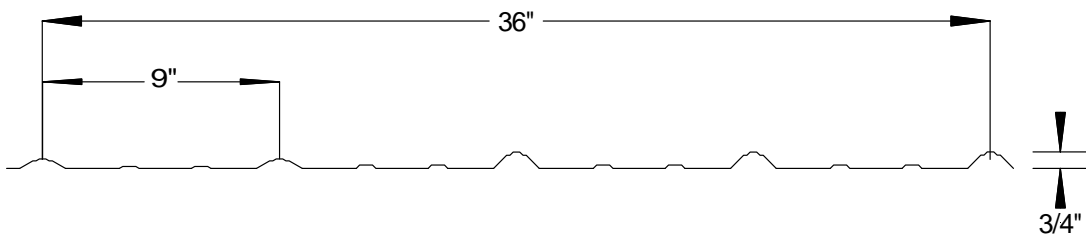
Install the "Millennium Rib" roof panel assembly in compliance with the installation method listed in this report and applicable code sections of FBC 5th Edition (2014). The installation method described herein is in accordance with the scope of this evaluation report. Refer to manufacturer's installation instructions as a supplemental guide for attachment.

Referenced Data:

1. UL580-94 & UL 1897-98 Uplift Test
By Hurricane Test Laboratory, LLC (FBC Organization #TST ID: 1527)
Report #: 0232-0321-03, Report Date: 8/27/03, Specimens #1-2
Report #: 0232-0510-03, Report Date: 8/27/03, Specimen #2
2. UL580-94 & UL 1897-98 Uplift Test
By Hurricane Test Laboratory, LLC (FBC Organization #TST ID: 1527)
Report #: 0232-0911-05, Report Date: 9/27/04, Specimen #1
3. Engineering Analysis
By CBUGK Engineering
4. Quality Assurance
By Keystone Certifications, Inc. (QUA ID: 1824)
Millennium Metals Licensee # 423
5. Equivalency of Test Standard Certification
By James L. Buckner, P.E. @ CBUGK Engineering
(FBC Organization # ANE 1916)
6. Certification of Independence
By James L. Buckner, P.E. @ CBUGK Engineering
(FBC Organization # ANE 1916)

Installation Method Millennium Metals "Rib Panel" Roof Panel Attached to Wood Deck

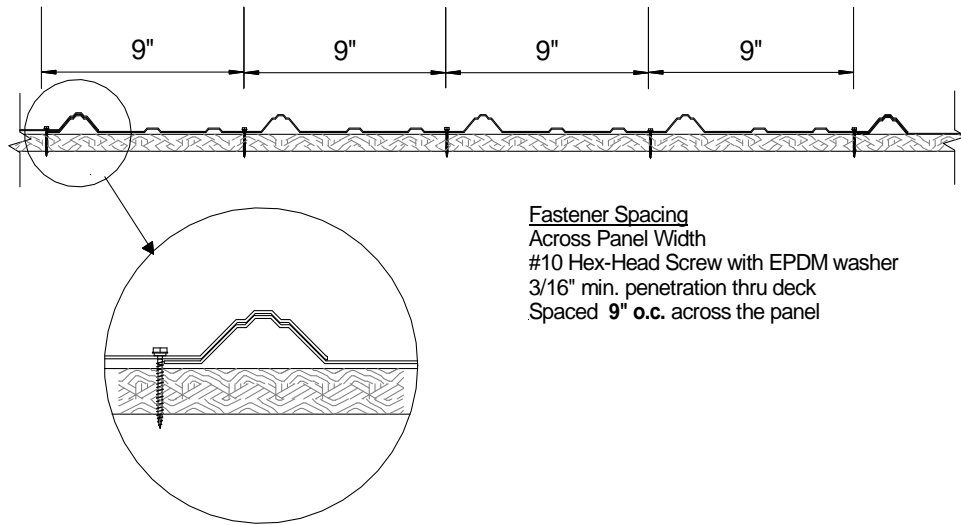
Profile Drawings



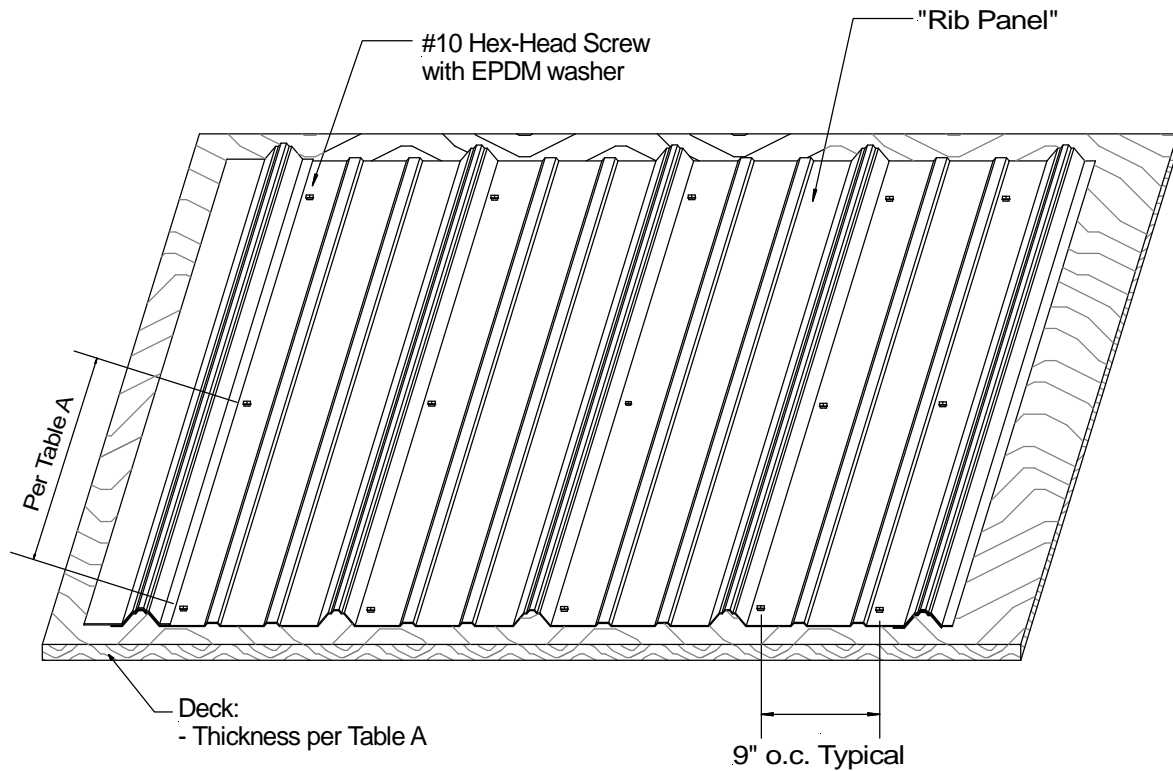
Typical Panel Profile View

TABLE "A"					
ALLOWABLE LOADS					
	Deck Thickness	Fastener Spacing	Row Spacing	Refer to Drawings	* Design Pressure (PSF)
METHOD 1	15/32"	9"	24"	A	- 47.5
METHOD 2	15/32"	9"	12"	A	- 95
METHOD 3	15/32"	5",4",5",4",... Pattern	16"	B	- 113.75
METHOD 4	19/32"	9"	16"	A	- 71
METHOD 5	19/32"	5",4",5",4",... Pattern	16"	B	- 144.25
* Allowable design pressure for allowable stress design (ASD) with a margin of safety of 2 to 1.					

Installation Method Millennium Metals "Rib Panel" Roof Panel Attached to Wood Deck

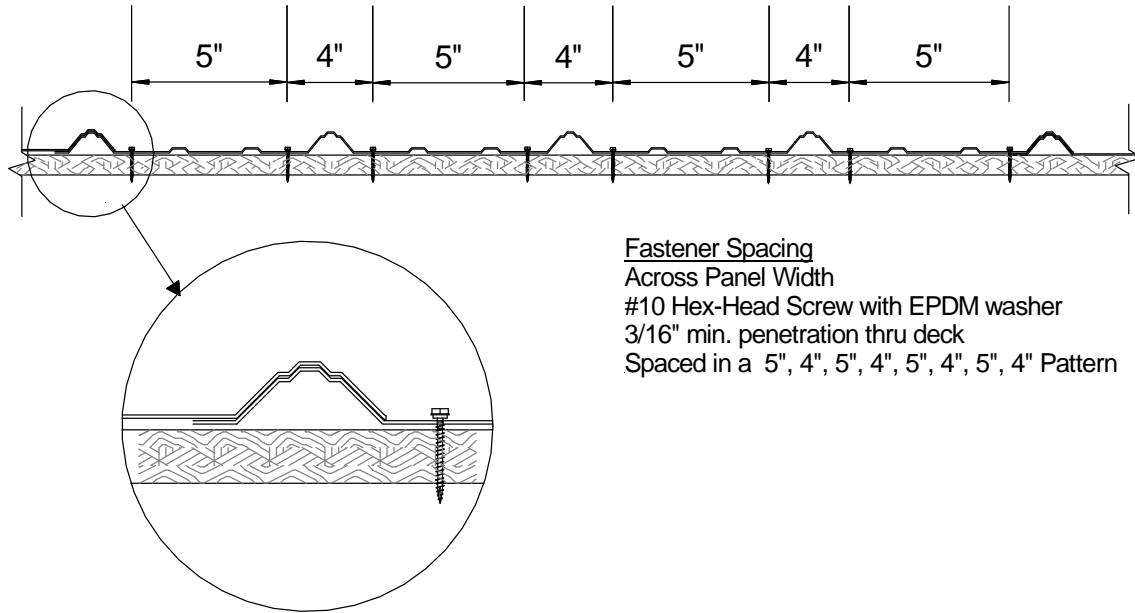


Detail A - Typical Assembly Profile View



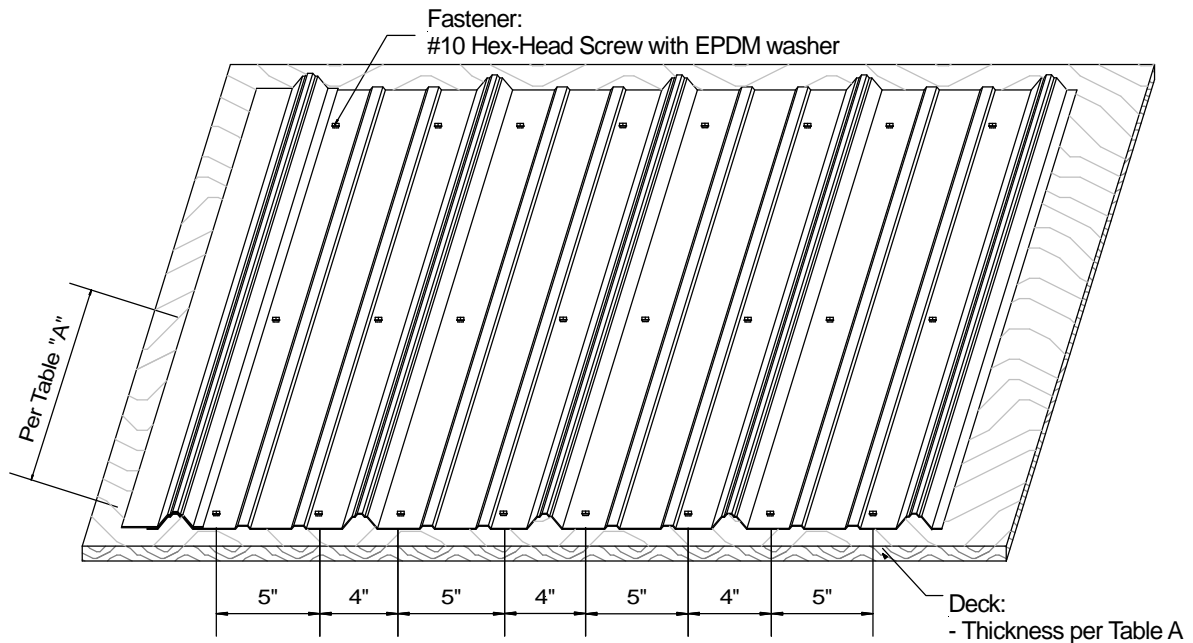
Detail A - Typical Assembly Isometric View

Installation Method Millennium Metals "Rib Panel" Roof Panel Attached to Wood Deck



Fastener Spacing
Across Panel Width
#10 Hex-Head Screw with EPDM washer
3/16" min. penetration thru deck
Spaced in a 5", 4", 5", 4", 5", 4", 5", 4" Pattern

Detail B - Typical Assembly Profile View



Detail B - Typical Assembly Isometric View