

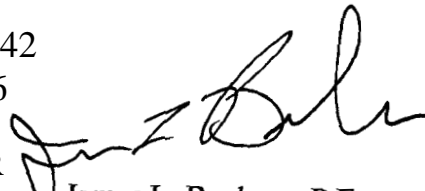
Evaluation Report
of
Millennium Metals, Inc.
“MI Off Ridge Vent”
Ridge Vent Assembly
for
Florida Product Approval
FL 7559.2 R1
Florida Building Code 2007
Per Rule 9B-72

Method: 1 - D
Category: Roofing
Sub – Category: Roofing Accessories that are an Integral Part of the Roof System (Ridge Vents)

Product: “MI Off Ridge Vent” Ridge Vent
Material: Aluminum
Product Thickness: 0.025” Minimum

Prepared for:
Millennium Metals, Inc.
10200 Eastport Road
Jacksonville, FL 32218

Prepared by:
James L. Buckner, P.E.
Florida Professional Engineer # 31242
Florida Evaluation ANE ID: 1916
Project Manager: Diana Galloway
Report No. 08-135-MIOffRV-A5W-ER
Date: 3 / 19 / 08


James L. Buckner, P.E.
Florida P.E. # 31242
3/26/08

Contents:
Evaluation Report Pages 1 – 6

CBUCK Engineering

Specialty Structural Engineering

CBUCK, Inc. Florida Certificate of Authorization # 8064

Manufacturer:	Millennium Metals, Inc.
Product Name:	“MI Off Ridge Vent”
Product Category:	Roofing
Product Sub-Category	Roofing Accessories that are an Integral Part of the Roofing System
Compliance Method:	State Product Approval Rule 9B-72.070 (1) (d)
Product Description:	MI Off Ridge Vent, Aluminum, roof ridge vent for shingle roofs, Comes in variable lengths from 2 ft – 10 ft. (In 2 ft intervals)
Product Material / Standards:	Material Type: Aluminum Thickness: 0.025” Minimum Alloy:: Conforming to ASTM B209 Standards Corrosion Resistance: Material shall comply with the Florida Building Code (FBC), 2007 Table 1507.4.3.
Product Dimension(s)	Width: 24-1/4” Height: 4-1/2” Length(s): 2’ , 4’, 6’, 8’ and 10’
Support Type:	Wood Deck (Design of support system is not included in this evaluation)
Support Description:	<ul style="list-style-type: none">• 15/32” or greater plywood, or• Wood plank
Slope Range:	3:12 or greater
Fire Classification:	Fire Classification is outside the scope of Rule 9B-72, and is therefore not included in this evaluation. Additional approved substrates may be added for Fire Classification purposes.

CBUCK Engineering

Specialty Structural Engineering

CBUCK, Inc. Florida Certificate of Authorization # 8064

Component(s) Description:

Fasteners

1. Type: Annular ring shank roofing nails
Size: **11 gauge** minimum x 1-1/2"
Corrosion Resistance: Per FBC Section 1506.5
Standard: Per ASTM F 1667
2. Type: Hex-Head wood screws with WSW
Size: **#9** x minimum penetration through deck 3/16"
Corrosion Resistance: Per FBC Section 1507.4.4
Standard: Per ANSI/ASME B18.6.1.

Roof Cement

Type: Asbestos-free asphalt based roof cement with SBS rubber
(Approved by Millennium Metals, Inc.)
Application Amount: 1/4" thick minimum
Standard: Per ASTM D 3019 Type III and ASTM D 3409

Installation:

"MI Off Ridge Vent" to roof deck

1. Prepare deck opening by trimming any shingles & nails that may interfere with ridge vent installation.
2. Apply roof cement to the underside, back and side flanges of the ridge vent. Cement should be a 1/4" thick and extend 2" onto roof underlayment. (Install cement in compliance with manufacturer's installation guidelines.)
3. Position vent flange beneath loosened shingles and align with deck opening.
4. Attach vent top and side flanges to deck with **nails** spaced **4" o.c.** and 1-1/2" from each end.
5. Attach vent base plate to deck with **screws** spaced **14" o.c.** through pilot holes on screen.

Fasteners shall penetrate through deck a minimum of 3/16".

Refer to manufacturer's installation instructions as a supplemental guide for attachment.

Quality Assurance:

The manufacturer has demonstrated compliance of roof panel products in accordance with the Florida Building Code and Rule 9B-72.070 (3) for manufacturing under a quality assurance program audited by an approved quality assurance entity through **Keystone Certifications, Inc.** (FBC Organization #: QUA 1824)

CBUCK Engineering

Specialty Structural Engineering

CBUCK, Inc. Florida Certificate of Authorization # 8064

- Performance Standards:** The product described herein has been tested in accordance with:
TAS-100(A)-95 - *Wind and Wind Driven Rain Resistance and/or Increased Windspeed Resistance of Soffit Ventilation Strip and Continuous or Intermittent Ventilation System Installed at the Ridge Area.*
- Code Compliance:** The product described herein has demonstrated compliance with the Florida Building Code 2007, Section 1609.1.
- Evaluation Report Scope:** This product evaluation is limited to compliance with the structural wind load requirements of the Florida Building Code, as related to Rule 9B-72.
- System Limitations:** This product shall not be installed on roof mean heights greater than 33 feet. This product shall not be installed on roof slopes less than 3:12. Any rational analysis shall be prepared by a qualified design professional and in compliance with FBC 2007, Sections 104, 105, 106. The maximum fastener spacing listed herein shall not be exceeded. This product is not approved for use in the High Velocity Hurricane Zone.
- Referenced Data:**
1. TAS 100(A)-95 Test
PRI Asphalt Technologies, Inc.(FBC Organization #TST ID: 1556)
Report #: MMI-001-02-01, Report Date: 9/1/06
 2. Quality Assurance
By Keystone Certifications, Inc., (FBC Organization #QUA ID:1824)
Millennium Metals Licensee # 423
 3. Certification of Independence
By James L. Buckner, P.E. @ C-Buck Engineering
(FBC Organization # ANE 1916)

CBUCK Engineering

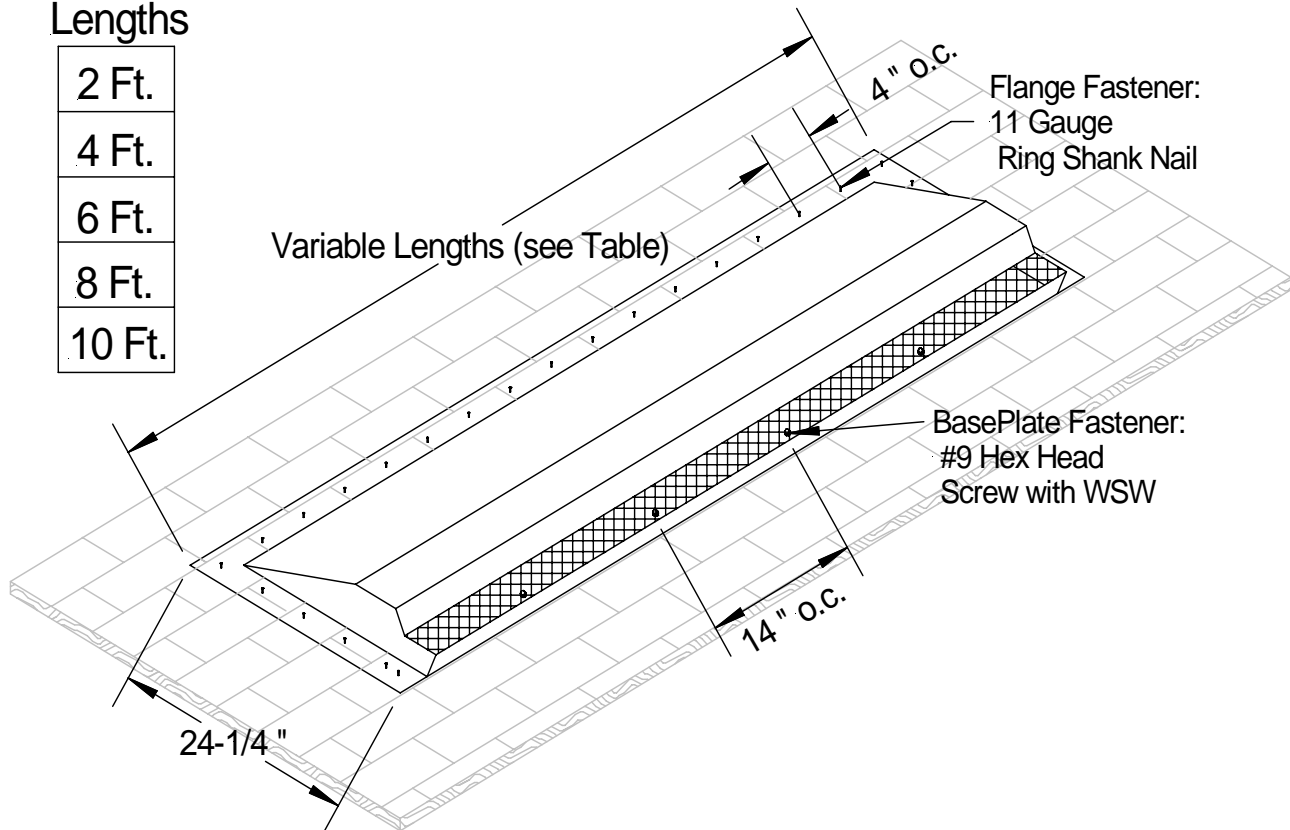
Specialty Structural Engineering

CBUCK, Inc. Florida Certificate of Authorization # 8064

Installation Method Millennium Metals, Inc. “M1 Off Ridge Vent” (0.025” Aluminum)

Nominal
Lengths

2 Ft.
4 Ft.
6 Ft.
8 Ft.
10 Ft.



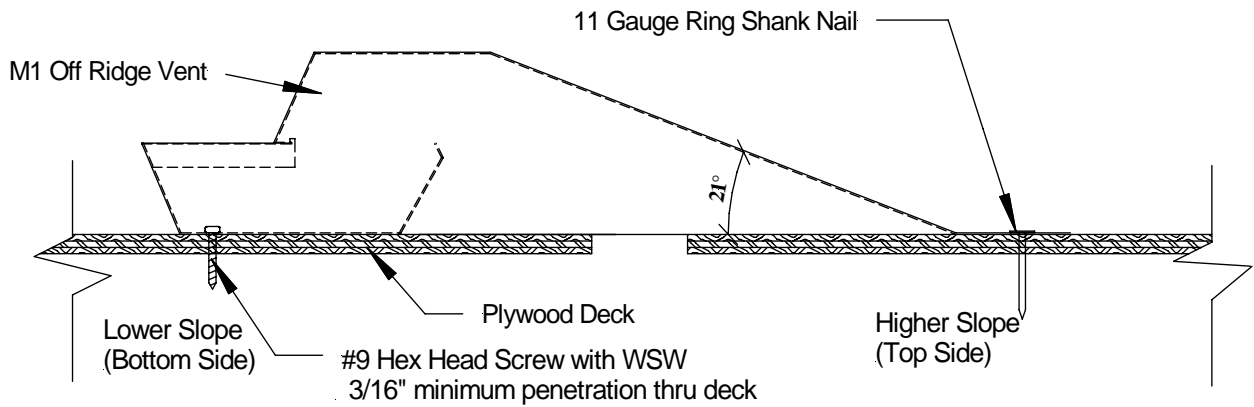
Isometric View

CBUCK Engineering

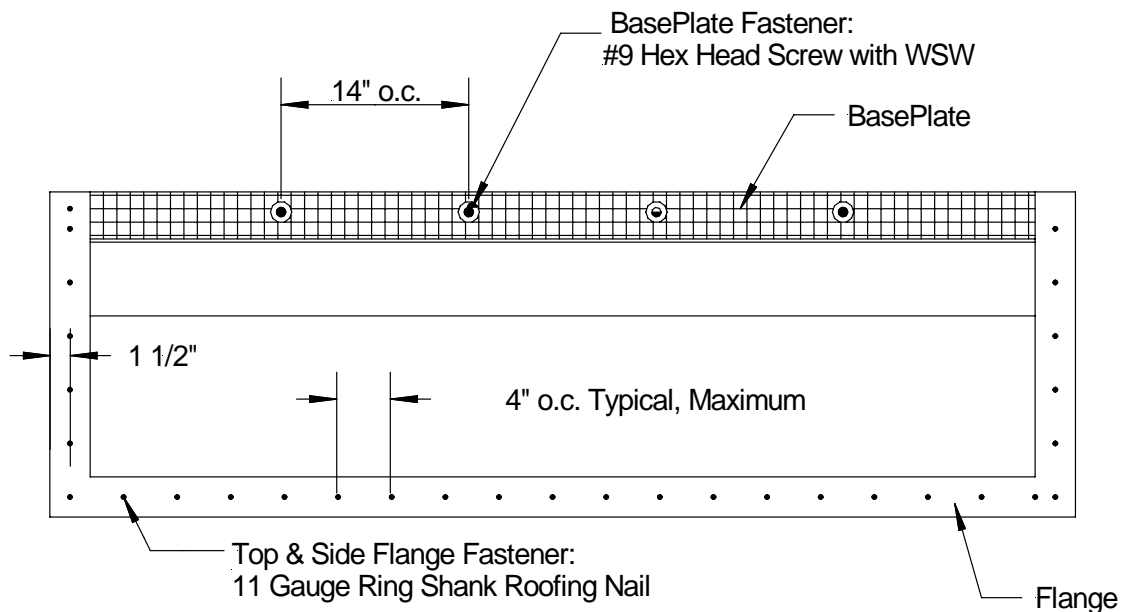
Specialty Structural Engineering

CBUCK, Inc. Florida Certificate of Authorization # 8064

Installation Method Millennium Metals, Inc. "M1 Off Ridge Vent" (0.025" Aluminum)



Side View



Plan View