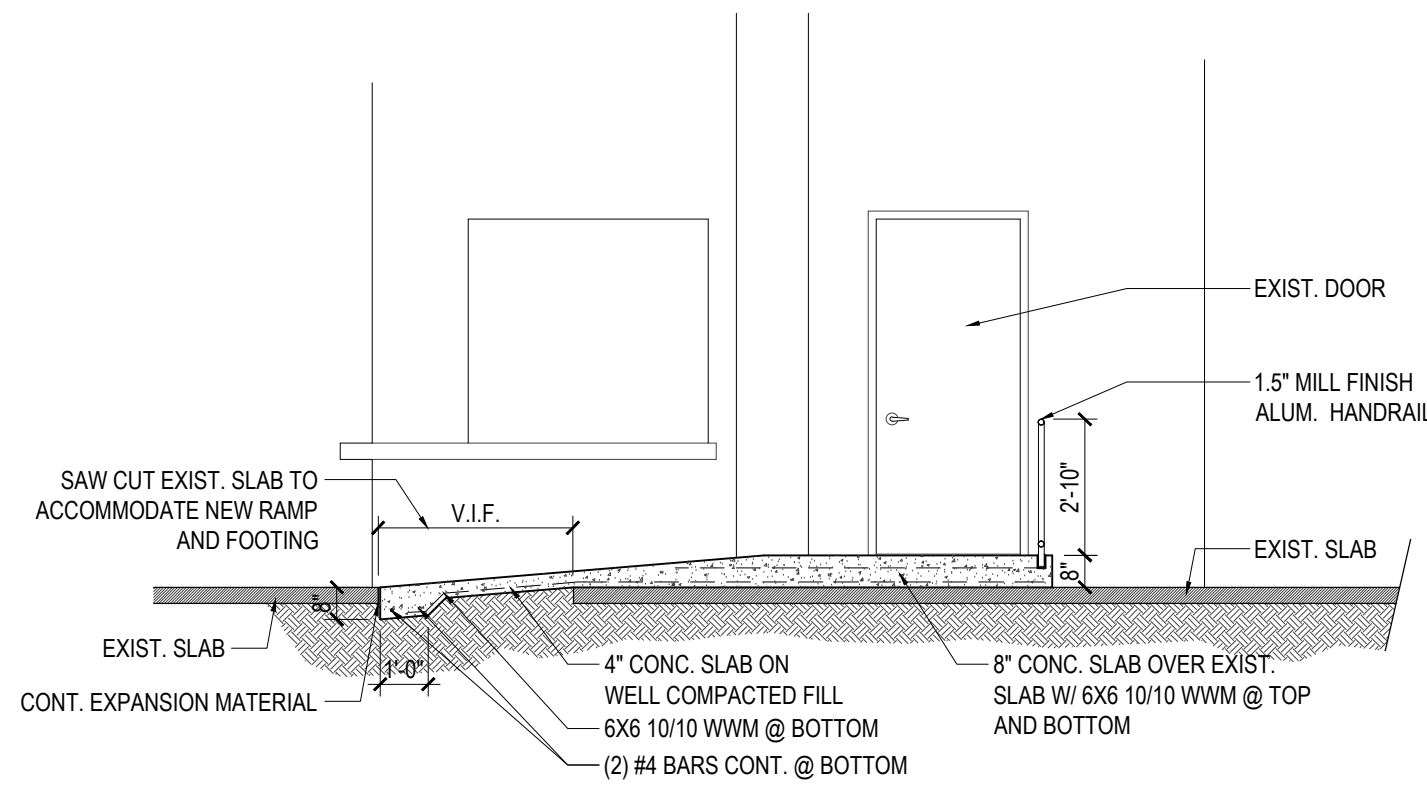
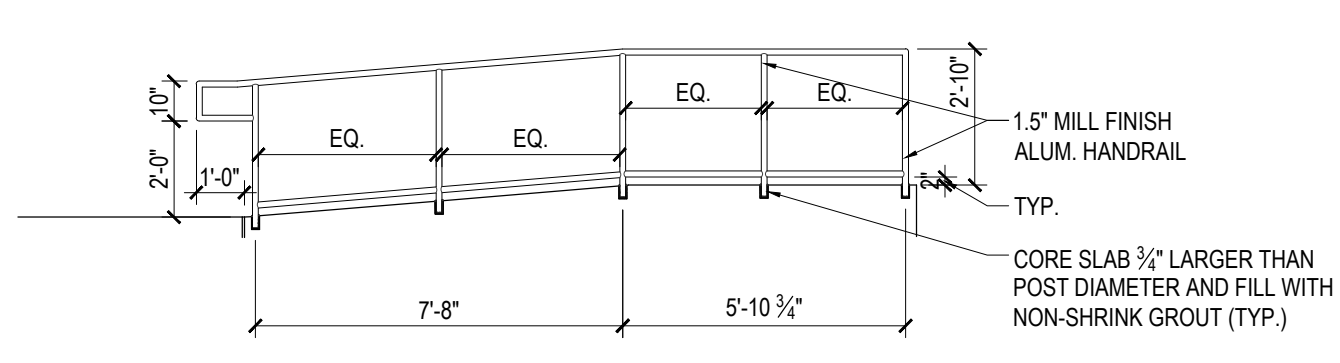


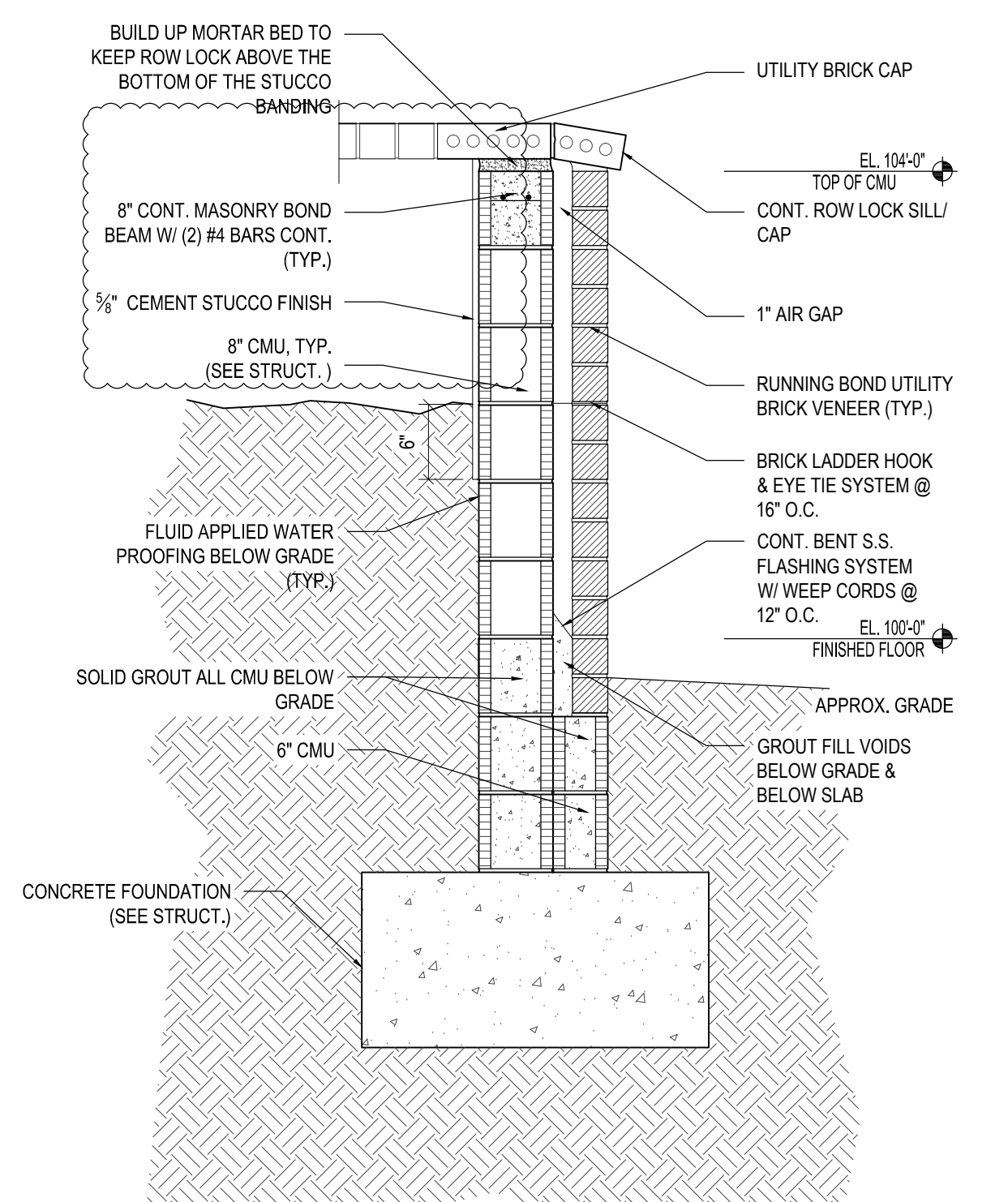
02 **CONC RAMP PLAN**
SCALE: 1/4" = 1'-0"



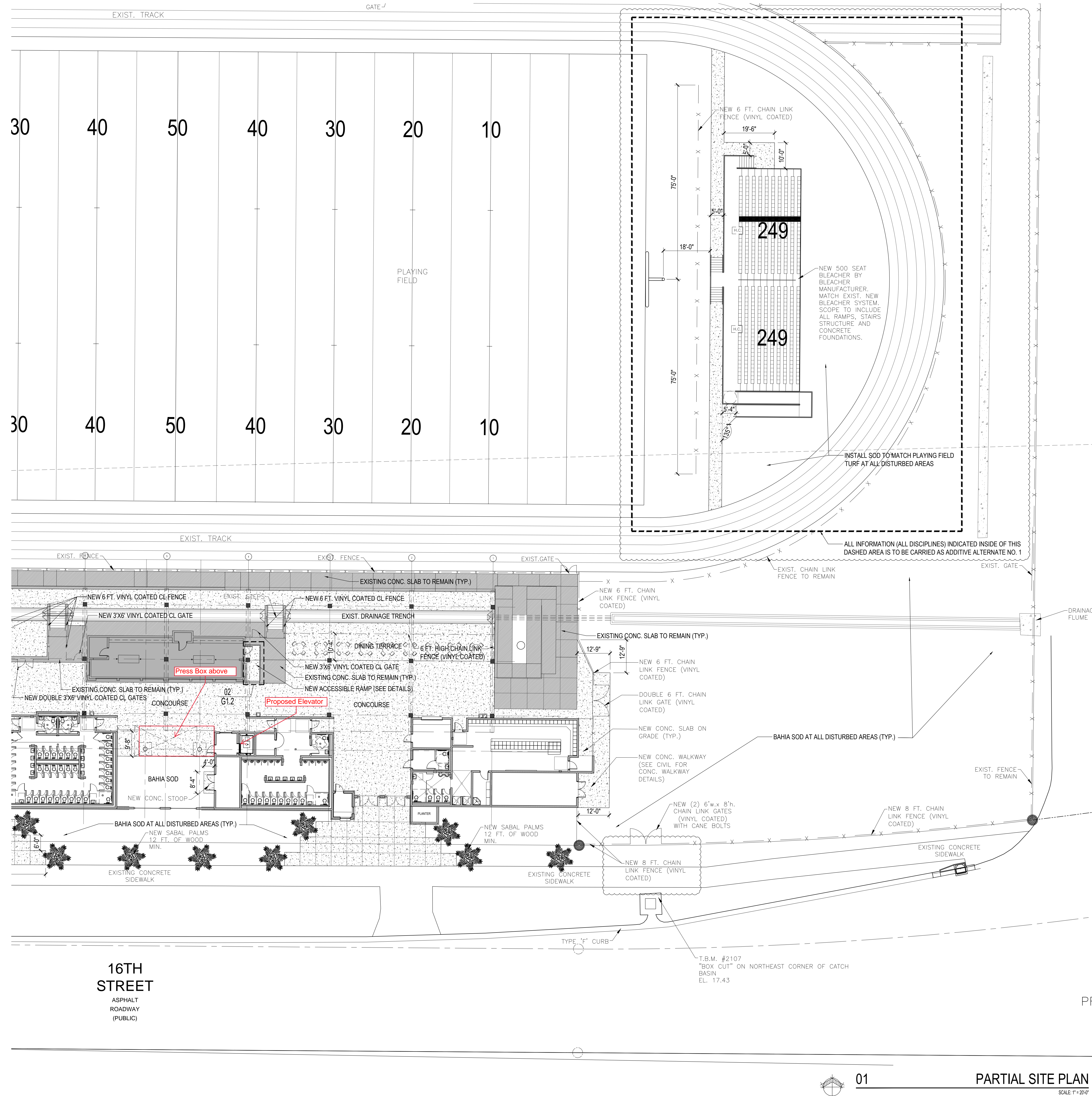
03 **CONCRET RAMP SECTION**
SCALE: 1/4" = 1'-0"



04 **RAILING DETAIL**
SCALE: 1/4" = 1'-0"



05 **PARTIAL PLANTER SECTION**
SCALE: 3/4" = 1'-0"



01 **PARTIAL SITE PLAN**
SCALE: 1" = 20'

HARVARD • JOLLY
ARCHITECTURE

FL. MEM. 28292774
ORLANDO 407-467-7727
PUNTA GORDA 941-575-0403
TAMPA 813-286-5208
WEST PALM BEACH 561-478-4457
A/C 0000119
www.harvardjolly.com
DESIGN OFFICE LOCATION: 2847 WEST PARKWAY, STE. 100, WEST PALM BEACH, FL 33411, PH. 561-478-4457

Citrus Bowl Restroom and Locker Remodeling:
Indian River County School District
1707 16th Street
Vero Beach, Florida 32259

Comm. No:	15110.03
Date:	11.01.16
Drawn:	LPC
Revised:	
1	11/15/16
2	11/23/16

COPYRIGHT: 2016
THE CONTENTS OF THESE DOCUMENTS, INCLUDING THE DESIGN, ARE COPYRIGHTED AND PROPRIETARY. THE ARCHITECT SHALL USE ALL LEGAL MEANS AVAILABLE TO PROTECT AND ENFORCE ANY USE NOT AUTHORIZED BY THE ARCHITECT IS PROHIBITED.

René Terrilla AIA, REFP
© 2016 HARVARD JOLLY, INC.
G1.2