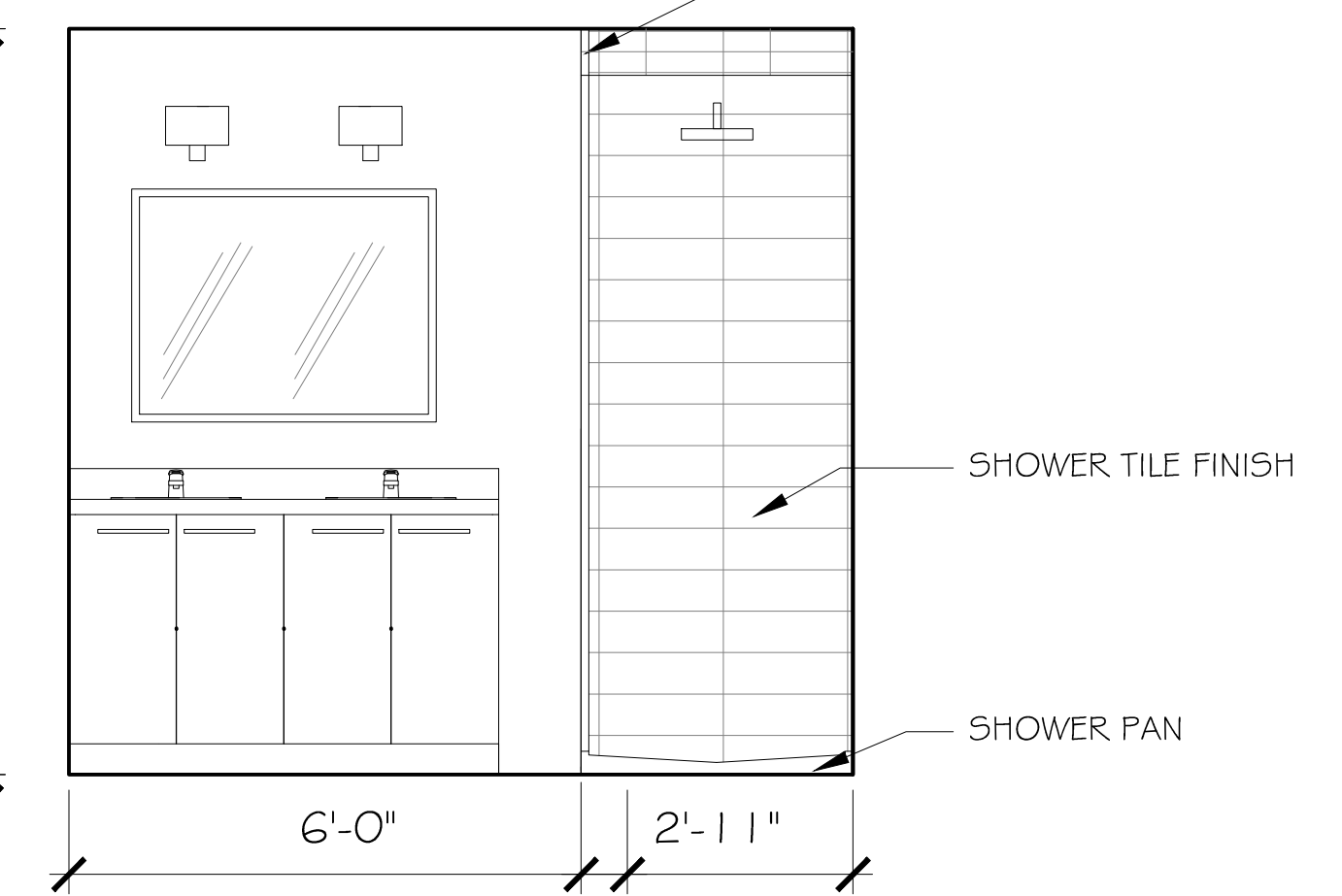
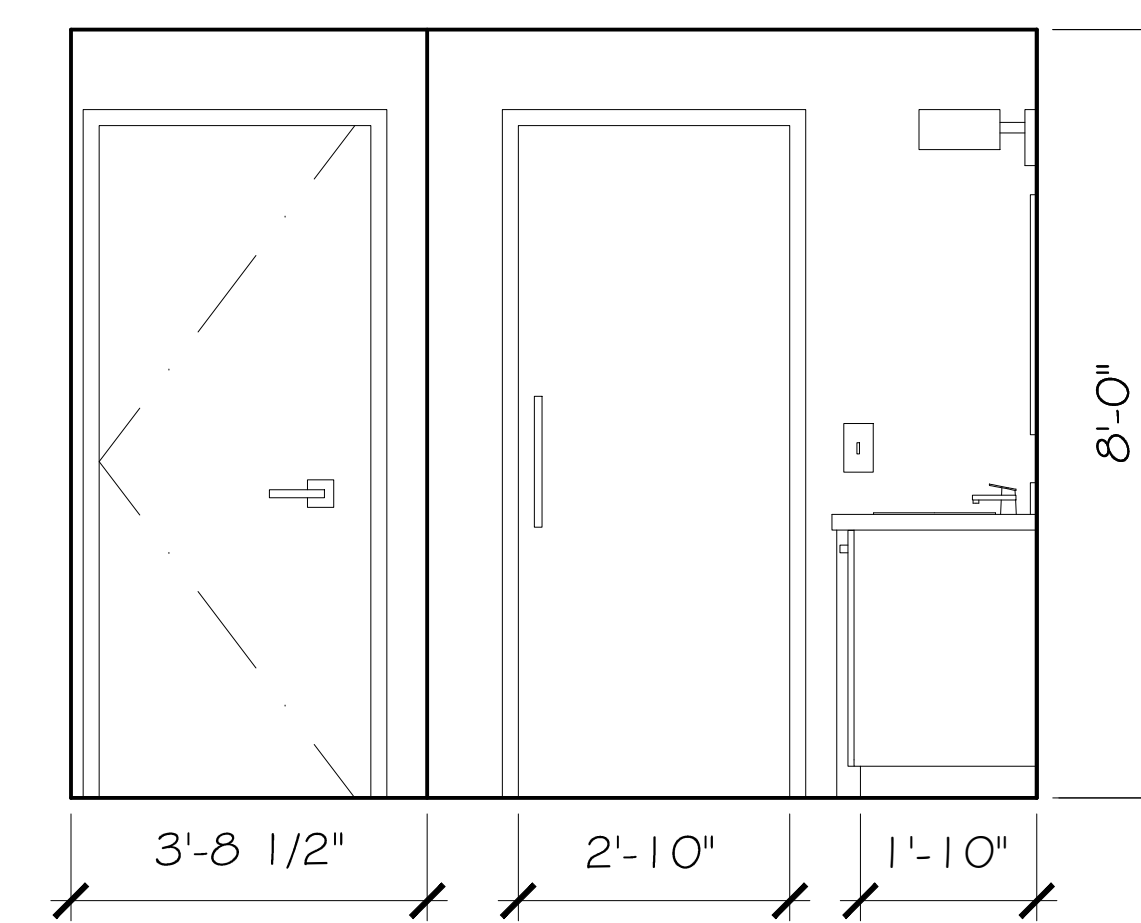
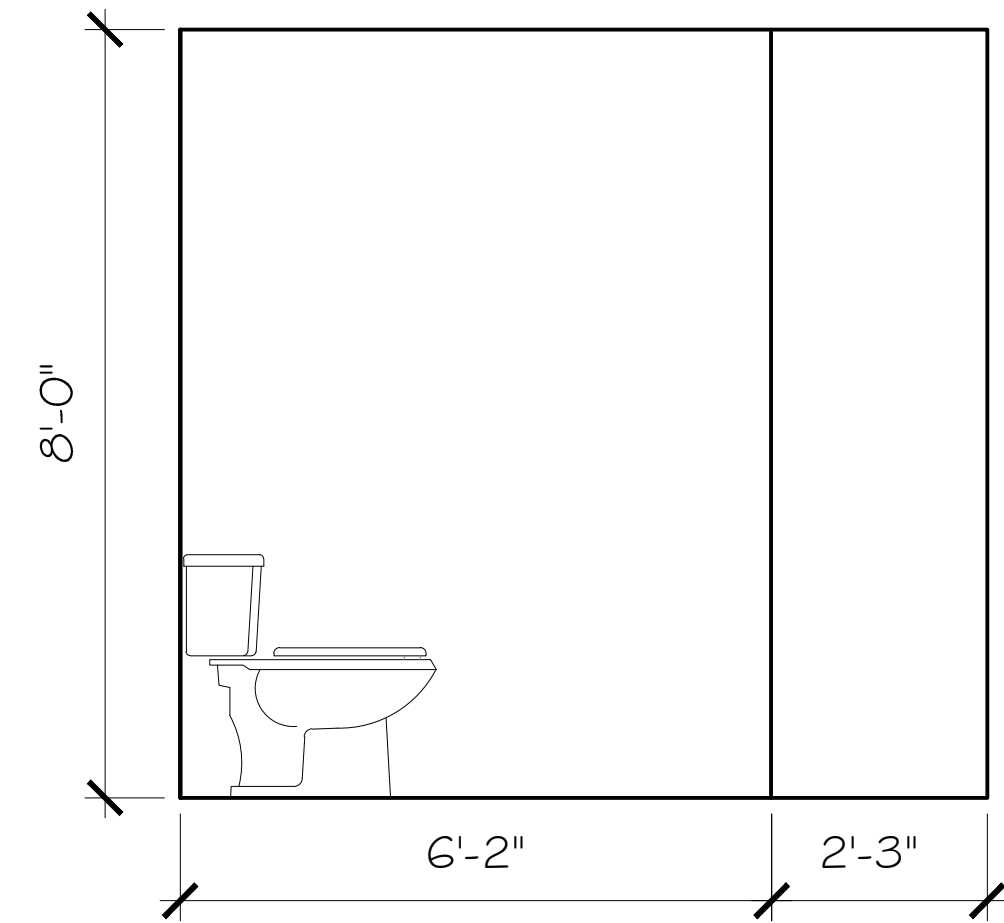
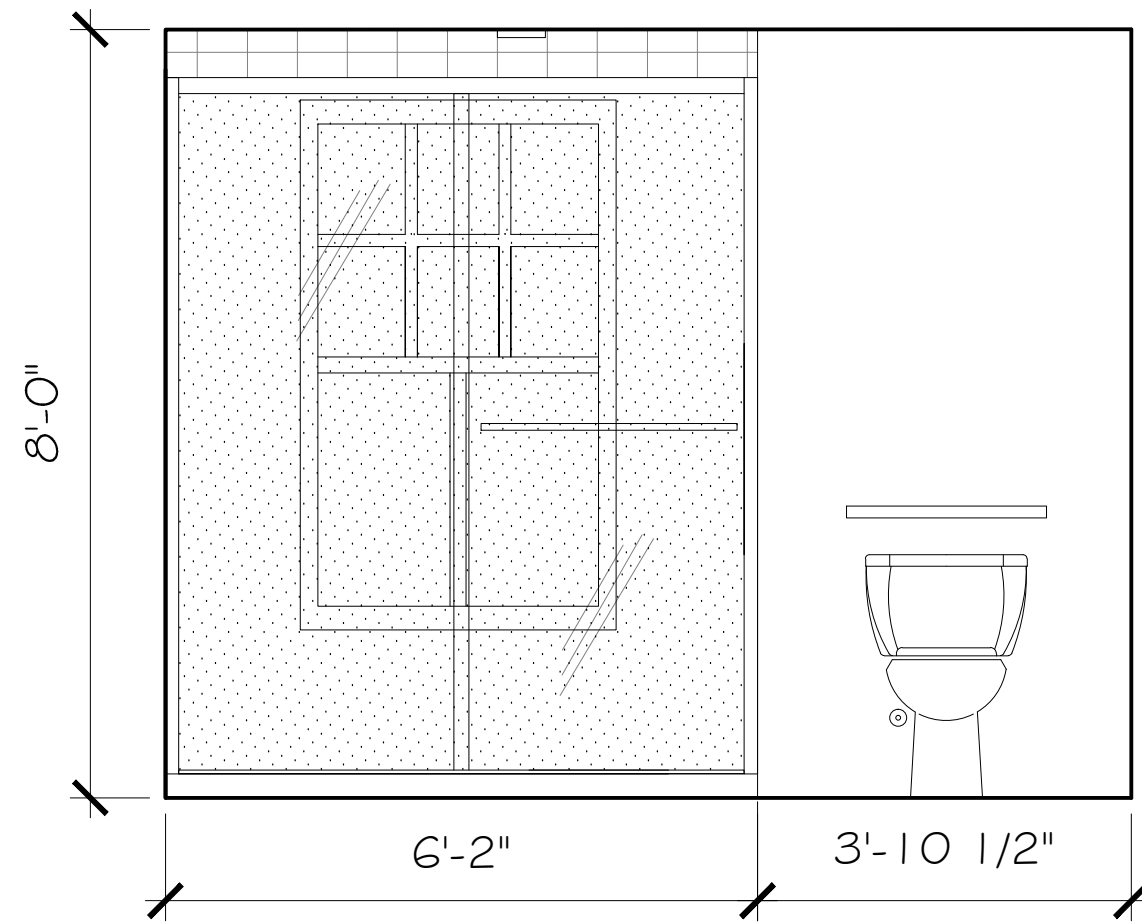
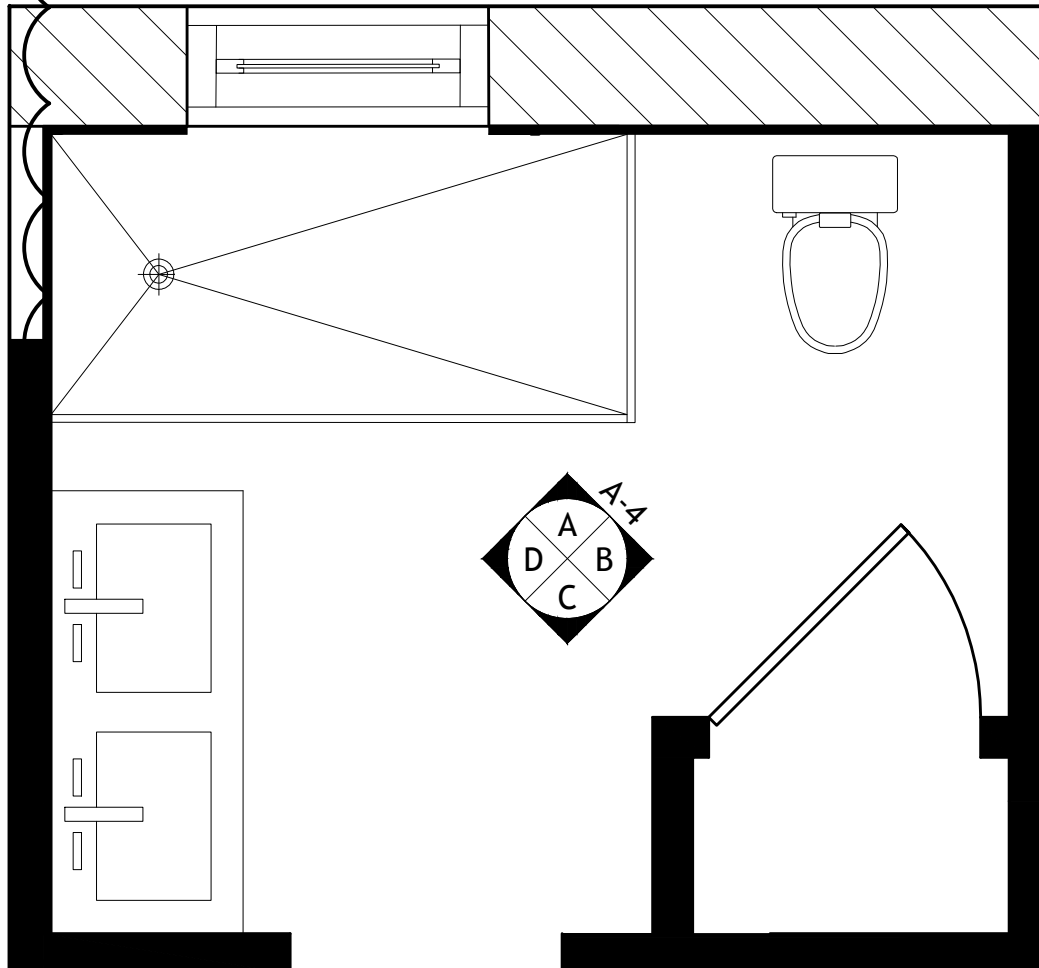


CLIENT:  
**701 4th Street**  
 Interior Renovations  
 701 4th Street  
 Miami Beach, FL 33139  
 Folio: 02-4203-009-3040

**CDS**  
 CASTELLANOS DESIGN STUDIO  
 333 SE 2ND AVENUE, SUITE 2066  
 MIAMI, FL 33131  
 Tel: 786.218.5335  
 License #AA 26002467  
 WWW.CASTELLANOSDESIGN.COM

No.	DATE	ISSUED / REVISED
1	29 AUG/16	SCHEMATIC DESIGN
2	1 SEP/16	DESIGN REVISION - 1
3	30 SEP/16	CONSTRUCTION DOCUMENTS
4	15 NOV/16	CLIENT REVISION
5	05 DEC/16	PERMITTING REVISION - 1



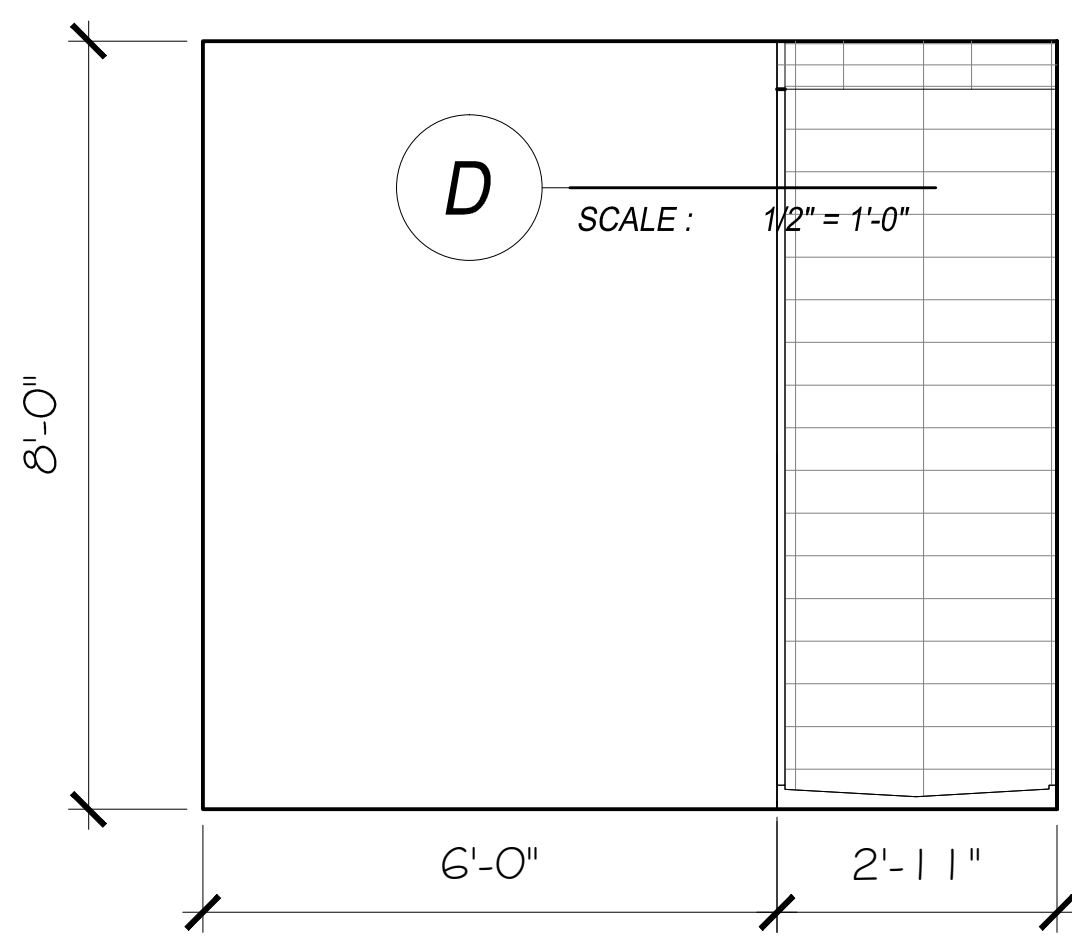
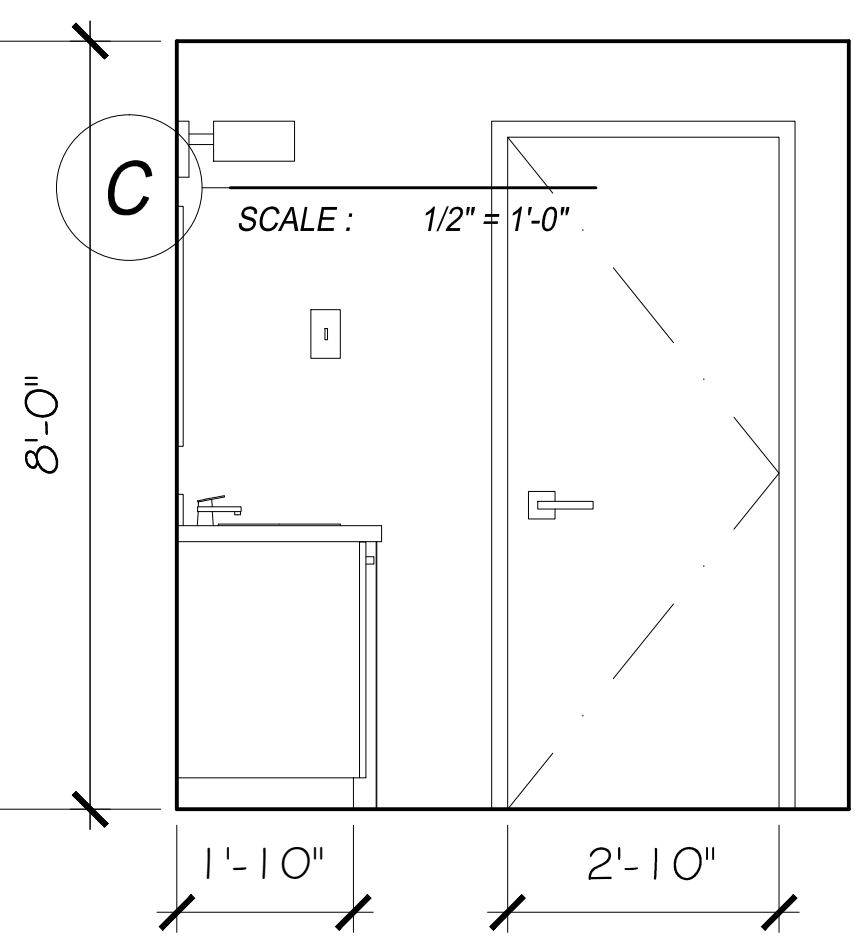
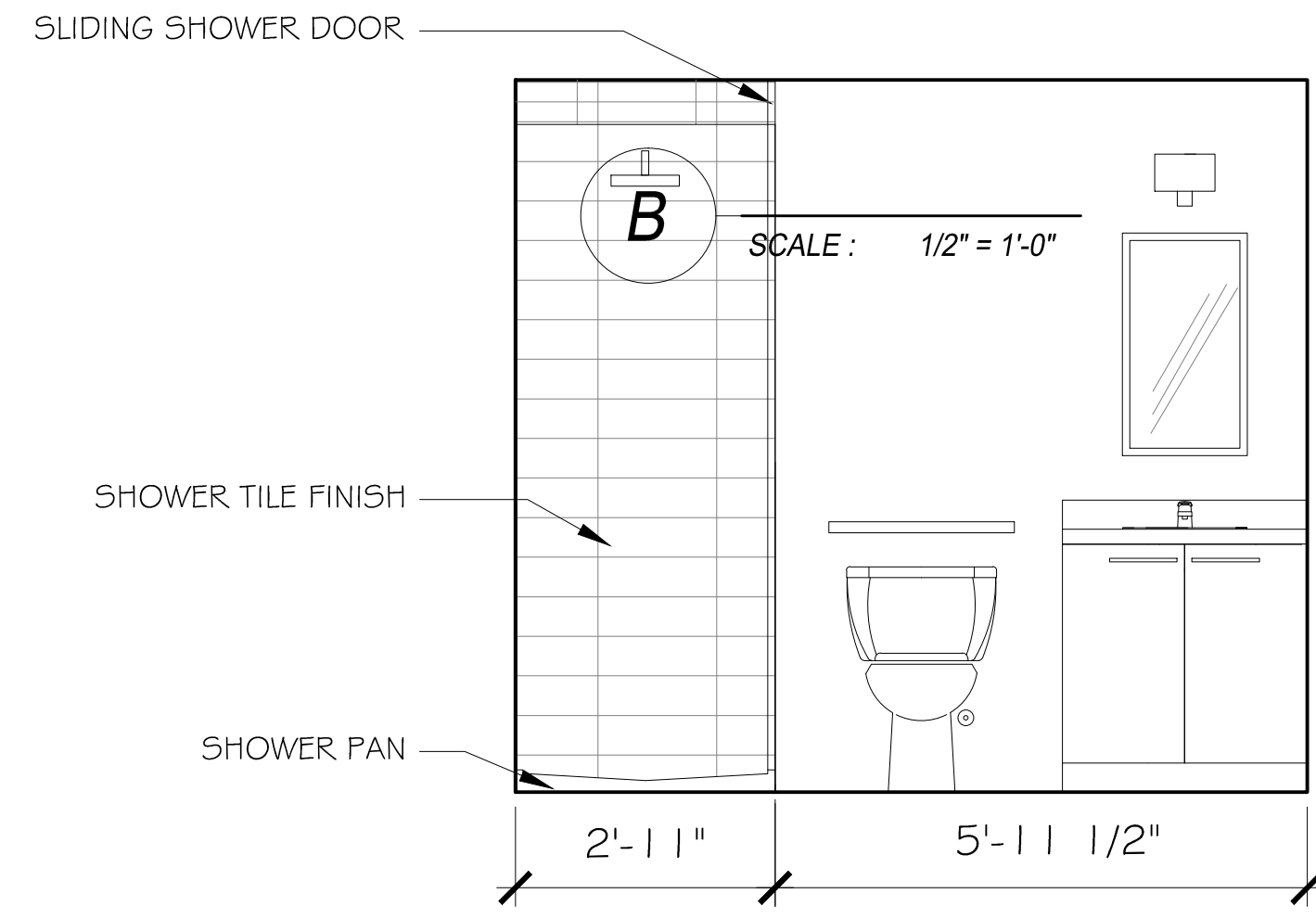
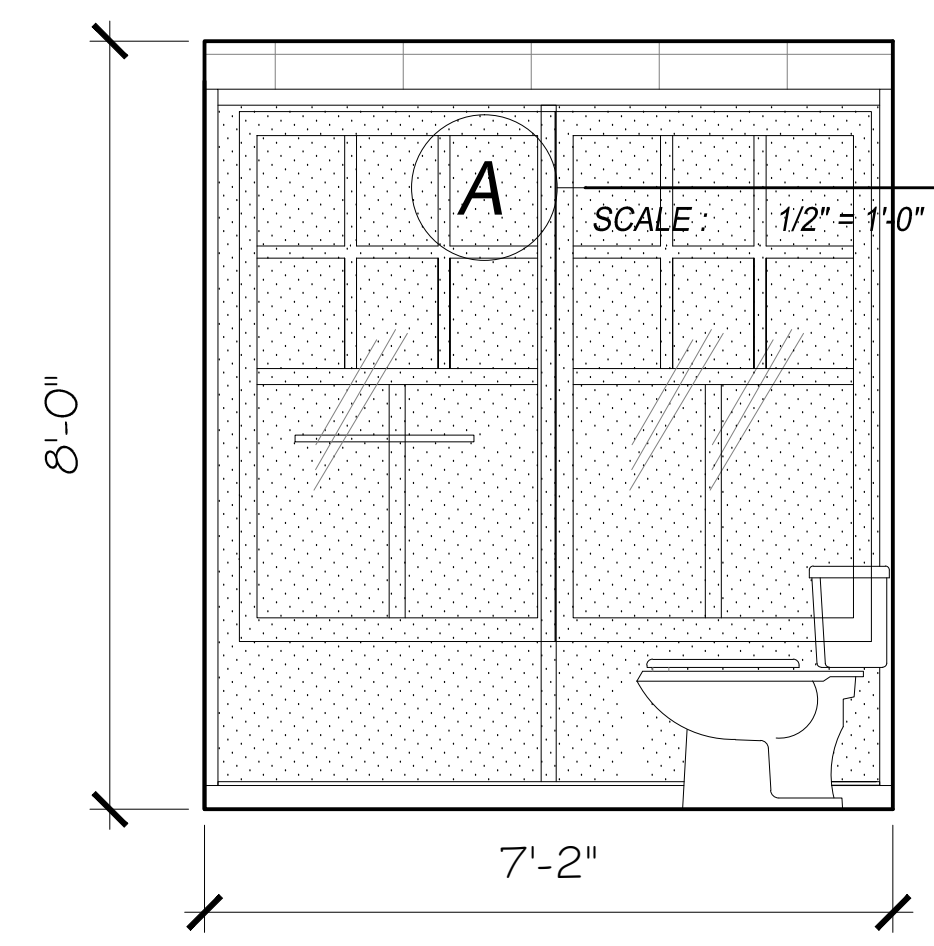
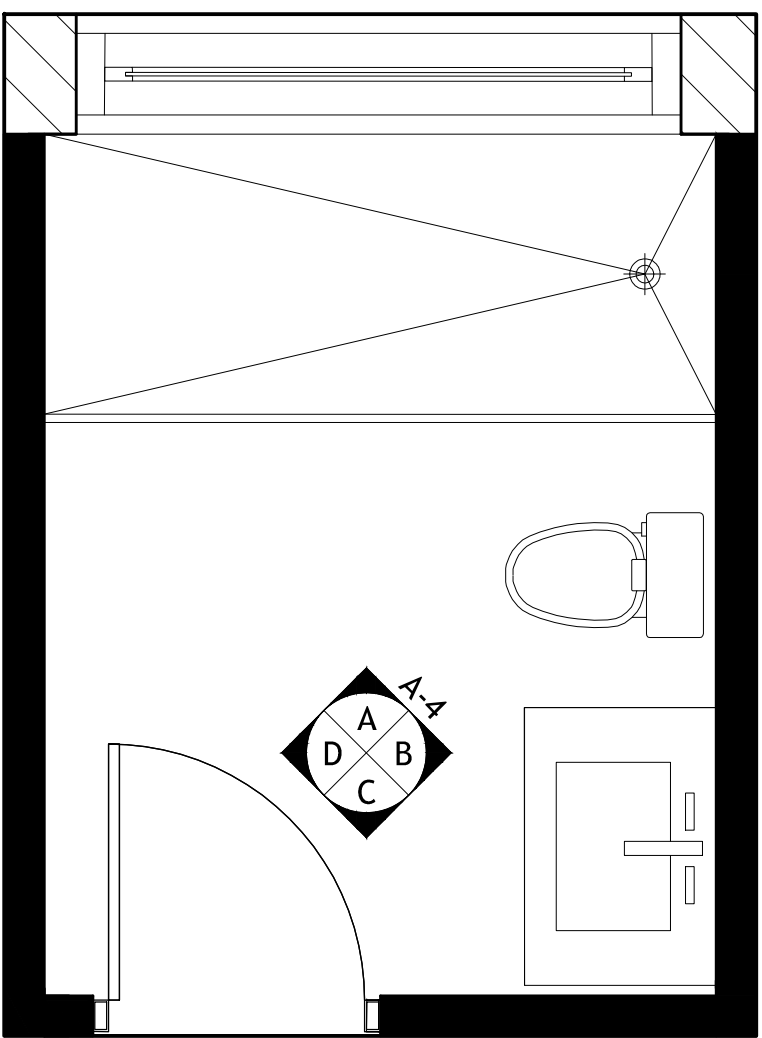
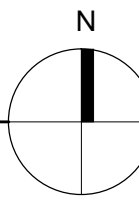
**A** SCALE: 1/2" = 1'-0"

**B** SCALE: 1/2" = 1'-0"

**C** SCALE: 1/2" = 1'-0"

**D** SCALE: 1/2" = 1'-0"

**1** TYPICAL BATHROOM - UNIT #1 & 2  
 SCALE: 1/2" = 1'-0"



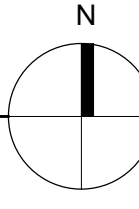
**A** SCALE: 1/2" = 1'-0"

**B** SCALE: 1/2" = 1'-0"

**C** SCALE: 1/2" = 1'-0"

**D** SCALE: 1/2" = 1'-0"

**2** TYPICAL BATHROOM - UNIT #3 & 4  
 SCALE: 1/2" = 1'-0"



ALL DRAWN AND WRITTEN MATERIAL CONTAINED HEREIN IS THE SOLE PROPERTY OF CASTELLANOS DESIGN STUDIO, LLC. AND MAY NOT BE REPRODUCED, PUBLISHED, DISCLOSED OR USED WITHOUT THE EXPRESS WRITTEN CONSENT OF CASTELLANOS DESIGN STUDIO, LLC. THE DRAWINGS ARE SCOPE DOCUMENTS WHICH INDICATE THE GENERAL SCOPE OF WORK, AND SHALL NOT NECESSARILY DESCRIBE ALL WORK REQUIRED FOR THE FULL PERFORMANCE AND COMPLETION OF THE WORK. GENERAL CONTRACTORS TO FURNISH AND INSTALL ALL ITEMS REQUIRED FOR THE PROPER COMPLETION OF ITS WORK WITHOUT ADJUSTMENT TO THE CONTRACT AMOUNT UNLESS SCOPE OF WORK CHANGES FROM THAT INDICATED ON THE DRAWINGS IN THE EVENT OF A CONFLICT WITHIN OR AMONG THE CONTRACT DOCUMENTS, THAT CONTRACTOR SHALL GOVERN. THE GENERAL CONTRACTOR SHALL CAREFULLY STUDY AND COMPARE ALL DRAWINGS, REPORTING ANY ERROR, INCONSISTENCY OR OMISSION HE MAY DISCOVER, AND REPORT TO CDS AND IN NO CASE SHALL PROCEED IN UNCERTAINTY.

SEAL:  
  
 WESLEY ART CASTELLANOS  
 FLORIDA ARCHITECT LICENSE AR 96133

PROJECT NO: 2016-17  
**INTERIOR BATHROOM ELEVATIONS**

CHECKED BY: WC SHEET NO:  
 DRAWN BY: AA  
 SCALE:  
**A-4**  
 © 2016 BY CDS