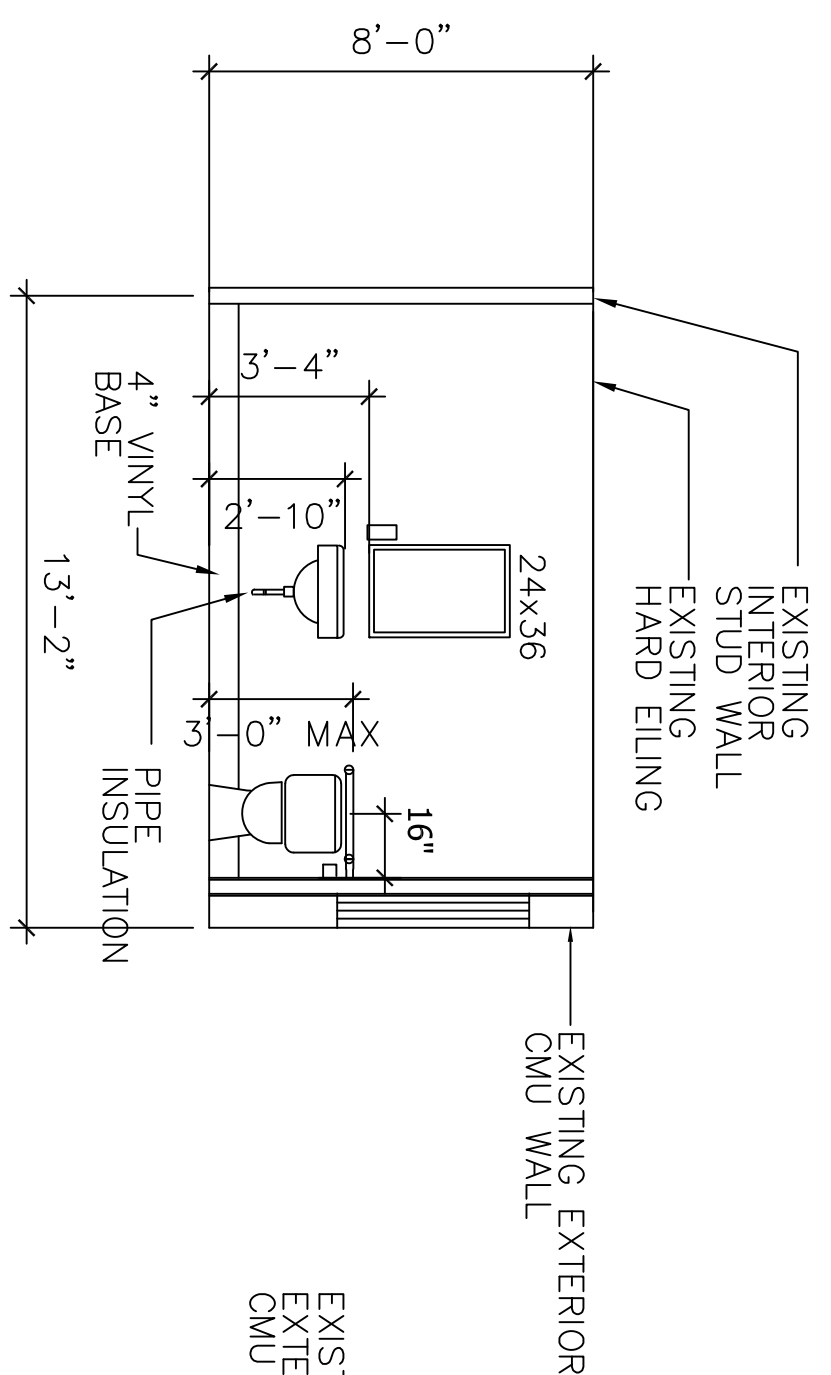
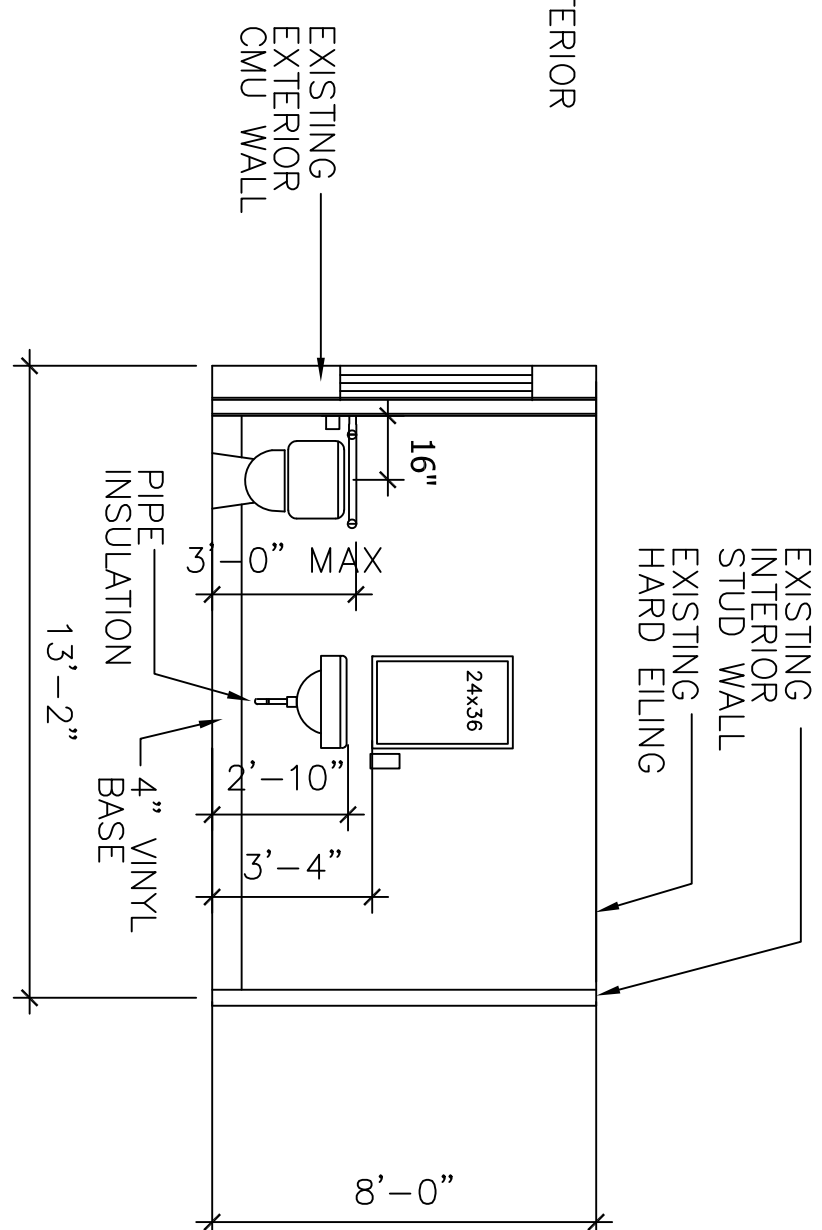


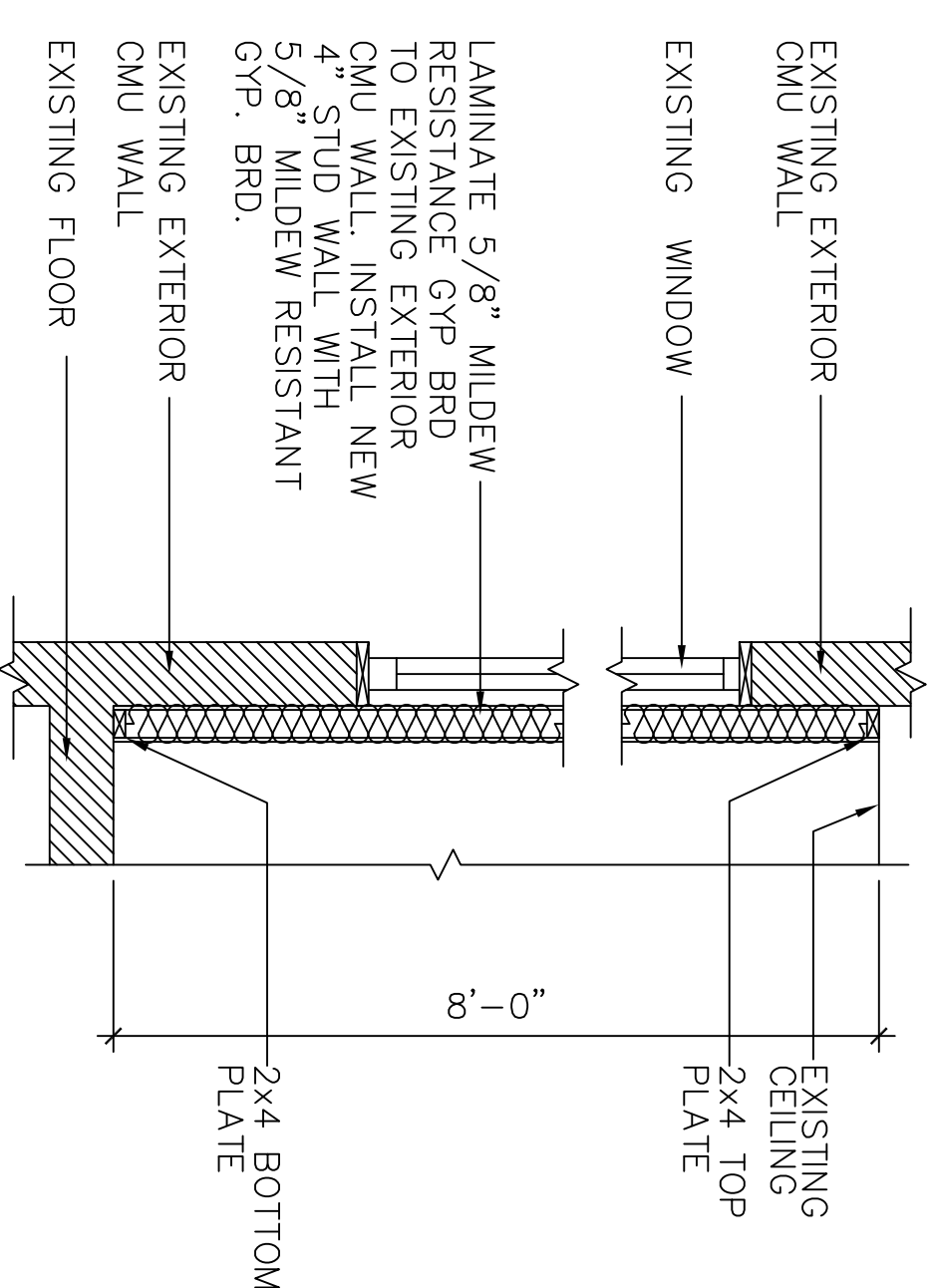
ENLARGED NEW ADA TOILET PLANS  
SCALE: 1/4" = 1'-0"



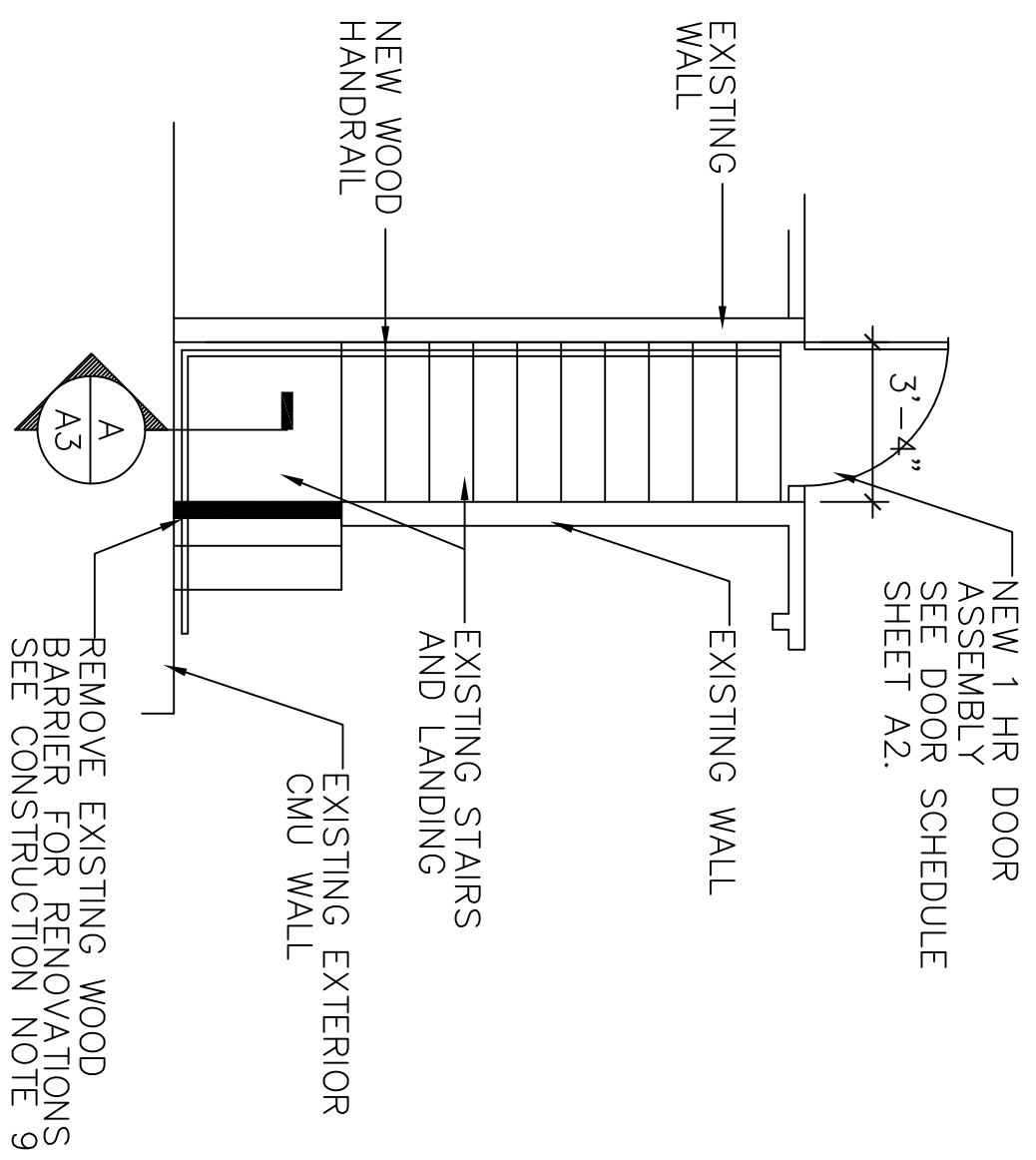
ADA TOILET INTERIOR ELEVATION 1  
SCALE: 1/4" = 1'-0"



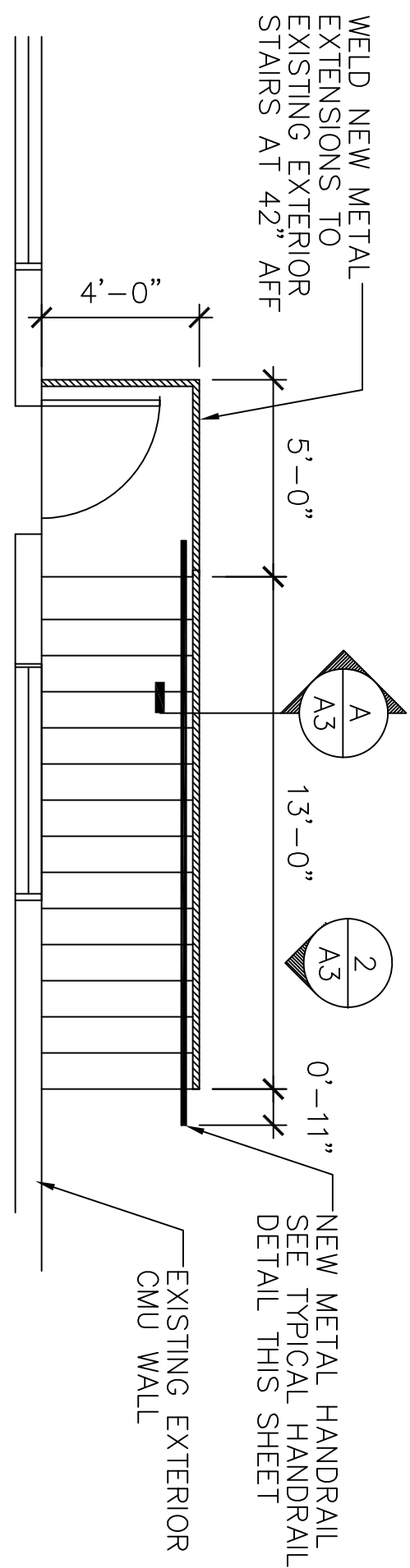
ADA TOILET INTERIOR ELEVATION 2  
SCALE: 1/4" = 1'-0"



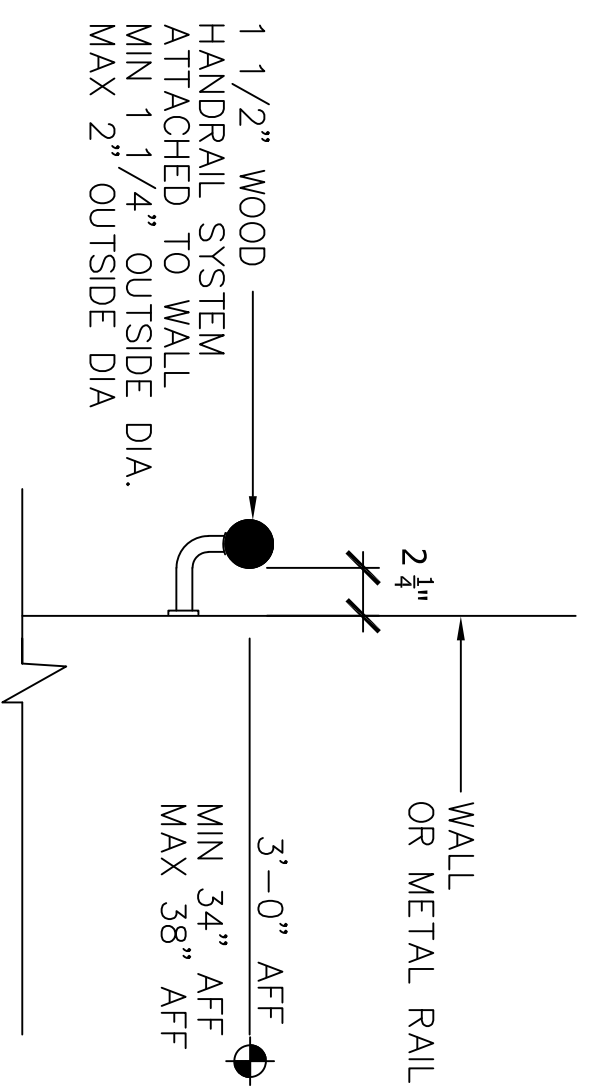
NEW INT/EXTERIOR STUD WALL  
SCALE: 1/2" = 1'-0"



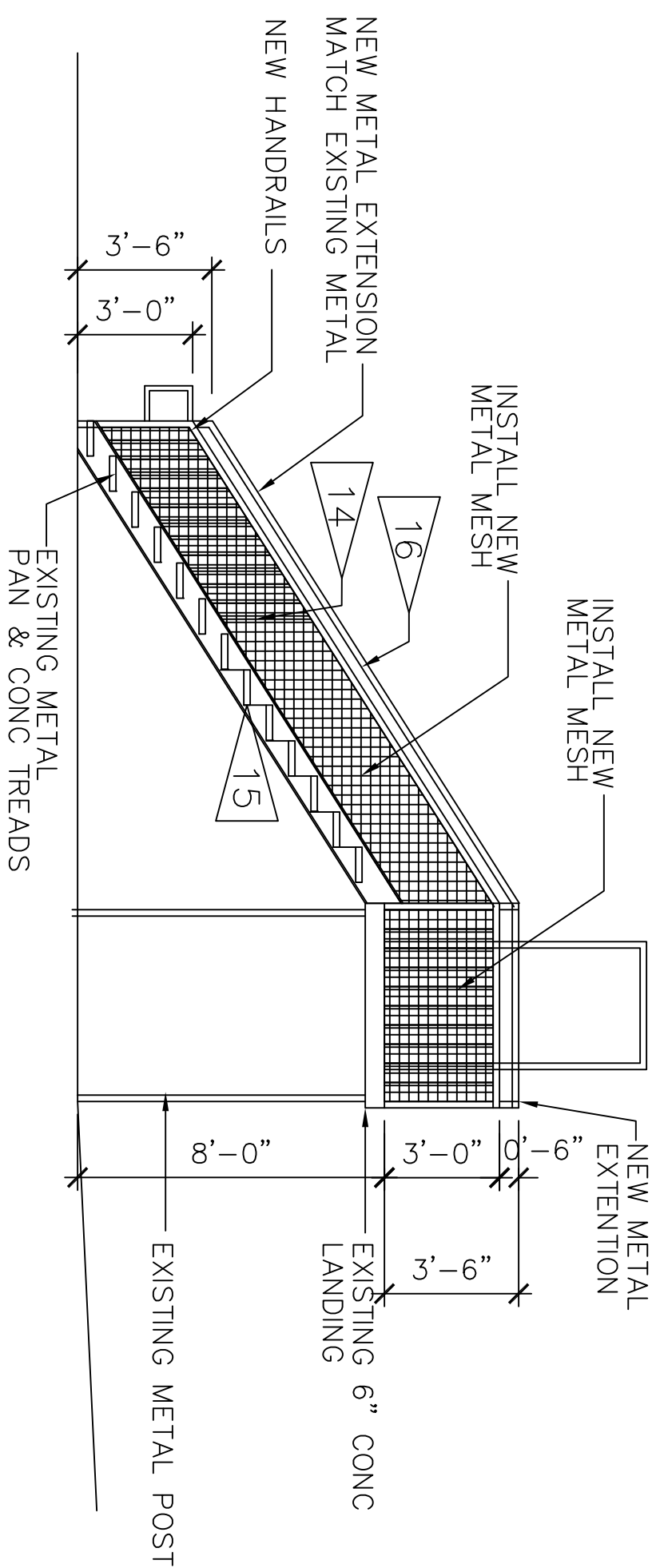
ENLARGED INTERIOR STAIR PLAN  
SCALE: 1/4" = 1'-0"



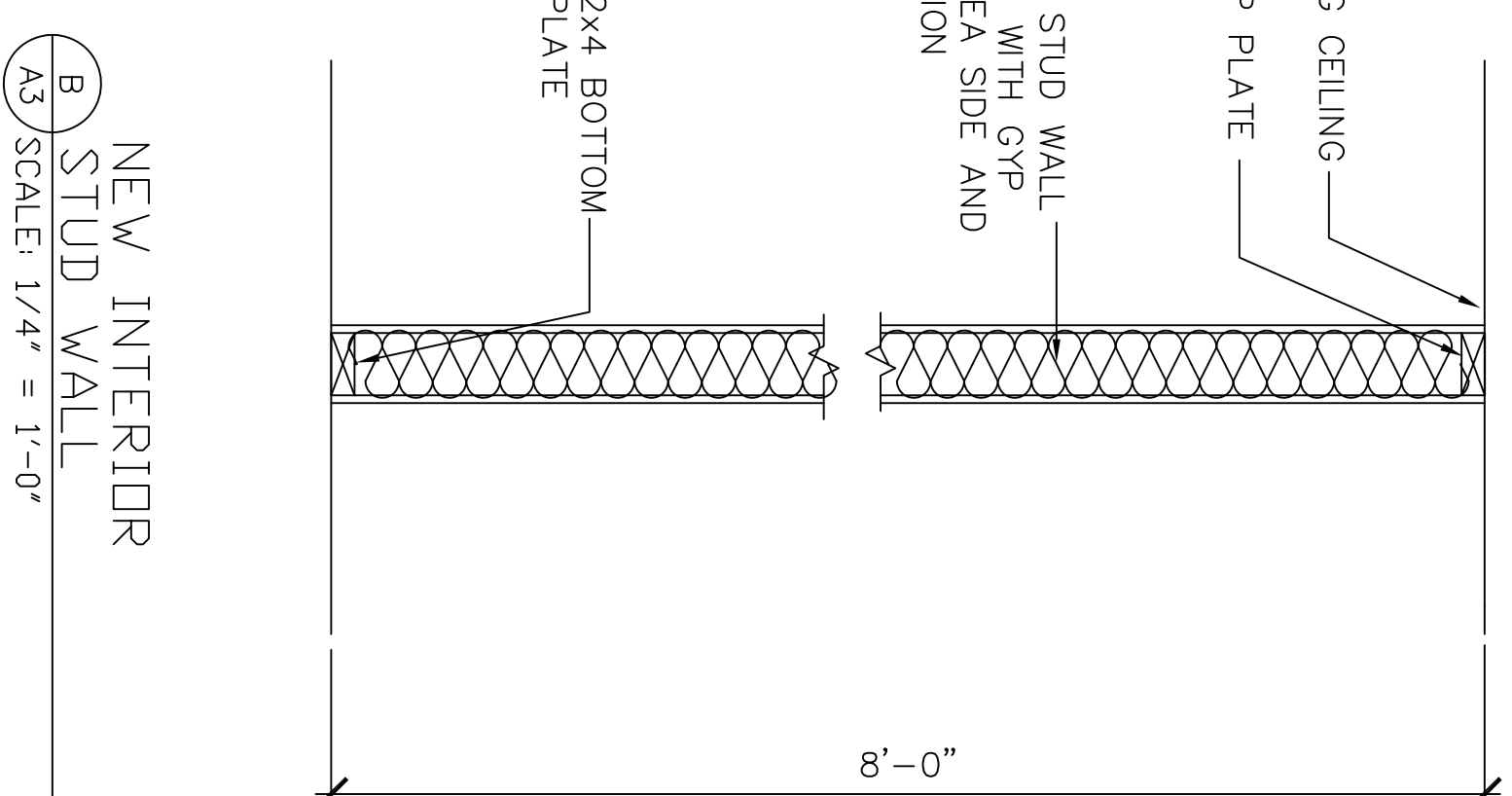
ENLARGED EXISTING EXTERIOR STAIR PLAN  
SCALE: 1/4" = 1'-0"



TYPICAL HANDRAIL DETAIL  
SCALE: NTS  
HANDRAILS SHALL BE DESIGNED A CLEARANCE OF MIN 2 1/4" BETWEEN THE WALL AND HANDRAIL



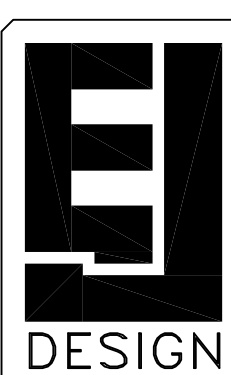
EXTERIOR METAL STAIR ELEVATION 2  
SCALE: 1/4" = 1'-0"  
THIS APPLIES TO BOTH EXTERIOR STAIRS



NEW INTERIOR STUD WALL  
SCALE: 1/4" = 1'-0"

NORMAN J. CLEMENT DDS COMMUNITY CENTER  
ENLARGED FLOOR PLANS AND DETAILS

730 W WAILES ST  
TALLAHASSEE FLORIDA



JIM ERVIN...  
ARCHITECTURAL DESIGN SERVICE  
6279 WHITTONDALE DR  
TALLAHASSEE, FL 32312  
(850) 274-2321  
FL. ARC. # 0011528

PRJ #:	2319
DATE:	5/20/20
REVISION 1	
DRAWN BY:	GAF
REVIEWED BY:	GAF
SCALE:	AS SHOWN

DRAWING NO.

A3

4 OF 4 DWGS.