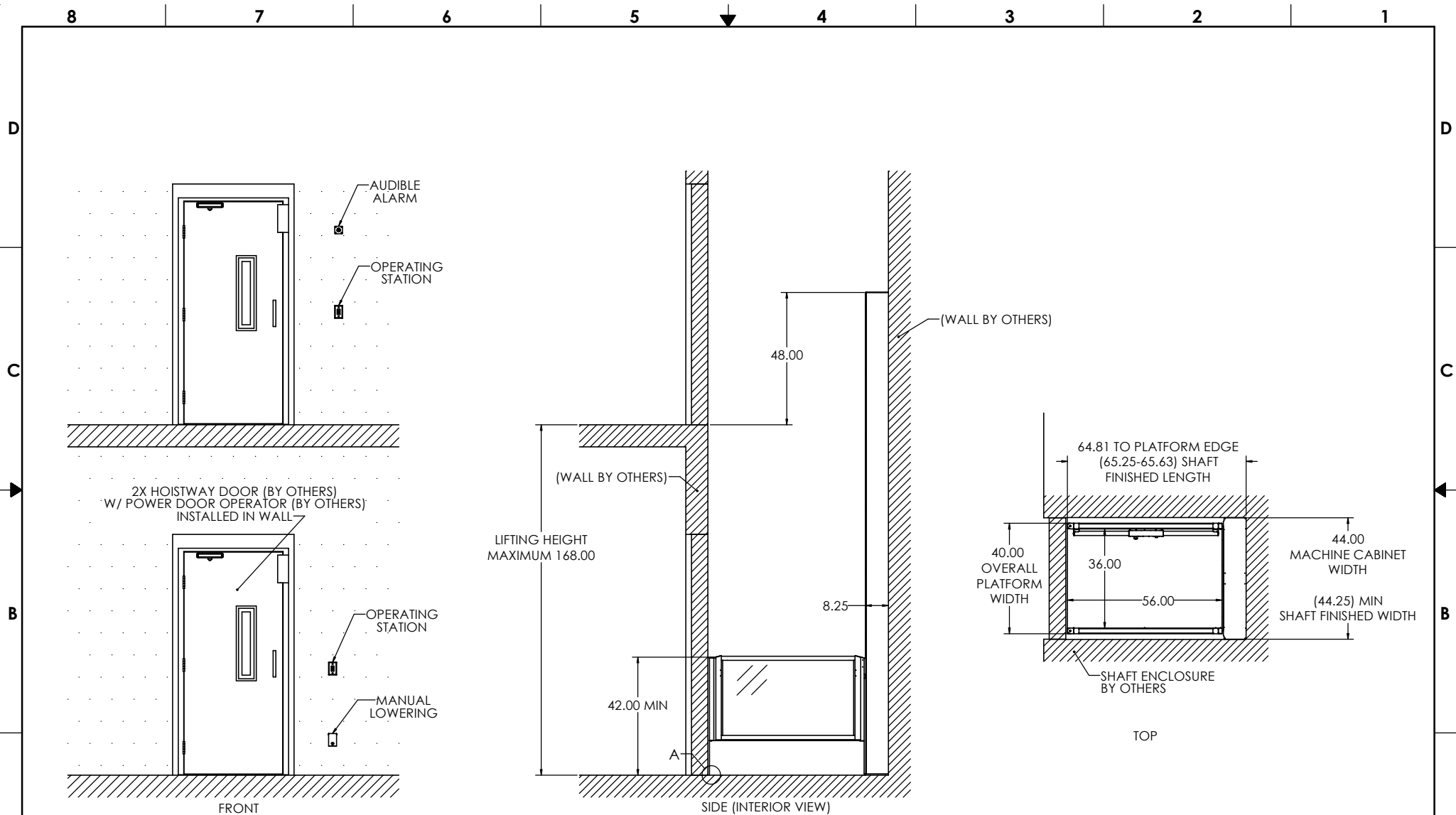


**GENERIC DRAWING; CONTACT ASCENSION FOR PROJECT-SPECIFIC DRAWINGS**

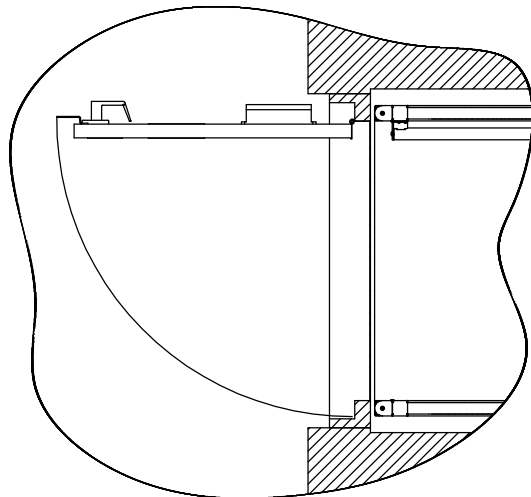
SEE OTHER CLARITY LIFT MODELS (16D, 16E, 16S, ETC.) FOR OTHER ENTRY/EXIT AND ENCLOSED/SHAFTWAY OPTIONS

SEE OPTIONS BROCHURE AND/OR SHEET 3 FOR VARIOUS CONFIGURATION OPTIONS

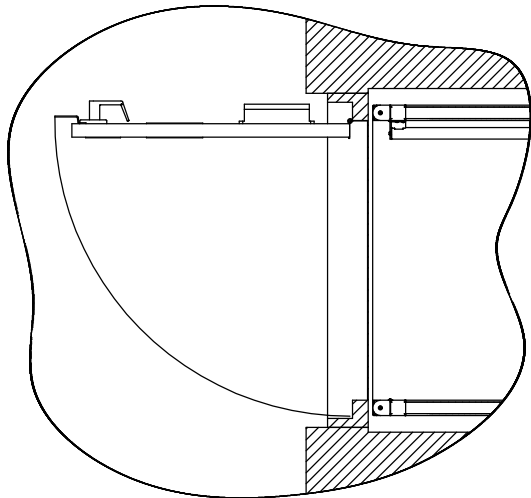


**ASCENSION CLARITY 16C VERTICAL PLATFORM WHEELCHAIR LIFT  
FOR PERMANENT SHAFTWAY LIFT APPLICATIONS**

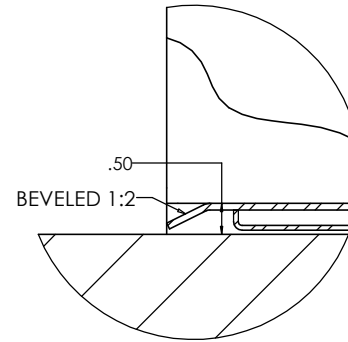
<small>INTERPRET DIMENSIONS AND TOLERANCES IN ACCORDANCE WITH ASME Y14.5M-1994 UNLESS OTHERWISE SPECIFIED DIMENSIONS ARE IN INCHES (MM) TOLERANCES ANGLES ± .1°</small> <small>DECIMALS .004 ± .003</small> <small>XXX ± .13</small>	<small>DRAWN</small> S. APPLEBY	<small>DATE</small> 8/5/2024	<small>P.O. BOX 4000 TUCSON, ARIZONA 85717-0000</small> 
	CHECK APPROVED By Philip Brobeck at 8:45 am, Aug 06, 2024		CLARITY 16C SHAFTWAY, SAME-SIDE
<small>DO NOT SCALE DRAWING</small>	<small>SCALE</small> 1/16	<small>FSCM NO.</small> D 08992	<small>DWG. NO.</small> CLARITY 16C
<small>RELEASED</small>	<small>SCALE</small> 1/16	<small>SHEET</small> 1 OF 3	<small>REV</small> D



UPPER HOISTWAY DOOR SWING  
(DOOR BY OTHERS)  
(RH DOOR SHOWN)



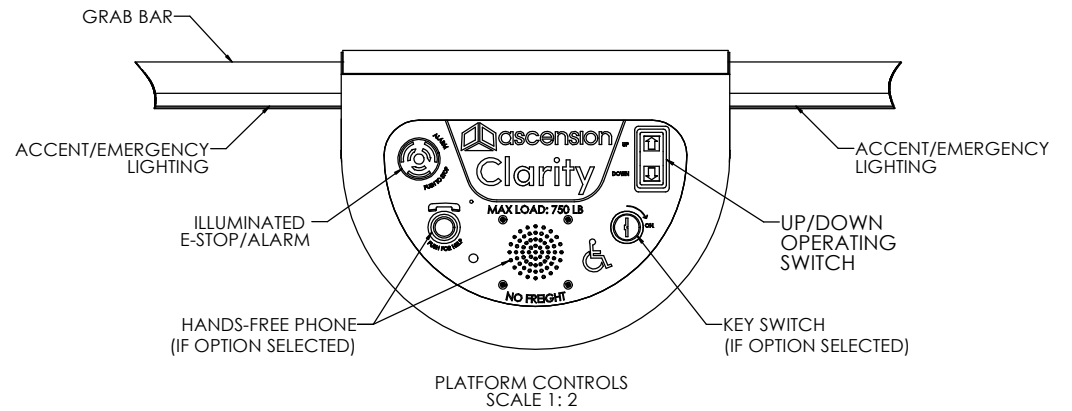
LOWER HOISTWAY DOOR SWING  
(DOOR BY OTHERS)  
(RH DOOR SHOWN)



DETAIL A  
SCALE 1 : 1  
PLATFORM FLOOR  
(ENCLOSURE HIDDEN)

DESIGNED FOR PITLESS  
INSTALLATION ON TOP OF  
FINISHED FLOOR.

LOW-PROFILE PLATFORM  
WITH ENTRY THRESHOLD  
IAW ADAAG 404.2.5.



PLATFORM CONTROLS  
SCALE 1 : 2

REV	FSCM NO.	DWG. NO.	REV
D	08992	CLARITY 16C	D
SCALE 1/16	RELEASE DATE	SHEET 2	

**CONFIGURATION**

TOTAL TRAVEL	168.00" MAX
ENTRY/EXIT CONFIG.	SAME SIDE
ENCLOSURE PROVIDED	NONE (BY OTHERS)

<b>LOWER LANDING</b>	
DOOR TYPE	HOISTWAY DOOR (BY OTHERS)
HANDING	RH/LH
DOOR OPERATOR	YES (BY OTHERS)
CALL STATION TYPE	WALL MOUNT
CALL STATION KEYED	YES/NO

<b>UPPER LANDING</b>	
DOOR TYPE	HOISTWAY DOOR (BY OTHERS)
HANDING	RH/LH
DOOR OPERATOR	YES (BY OTHERS)
CALL STATION TYPE	WALL MOUNT
CALL STATION KEYED	YES/NO

<b>PLATFORM</b>	
KEY SWITCH	YES/NO
HANDS-FREE PHONE	YES/NO
PLATFORM LIGHTING	STANDARD
SLIP-RESISTANT FLOOR	STANDARD

OUTDOORS	YES/NO
PIT SWITCH	STANDARD
MANUAL LOWERING	REMOTE WALL MOUNT
AUDIBLE ALARM	REMOTE WALL MOUNT
BATTERY BACKUP	STANDARD

**SPECIFICATIONS**

DESCRIPTION	SHAFTWAY VERTICAL PLATFORM WHEELCHAIR LIFT
CODE COMPLIANCE	ASME A18.1, ASME A17.5, NFPA 70 (NEC), ANSI A117.1, ADASAD (ADAAG)
APPLIED VERSION	ASME A18.1-2020
MODEL	CLARITY 16C
RATED LOAD	750 LB
RATED SPEED	20 FT/MIN
DUTY CYCLE	168 CYCLE-FT/HR (12 CYCLES/HR MINIMUM)
PLATFORM SIZE	36" X 56"
POWER SUPPLY	27VDC, 500W (18.5A)
BATTERIES	12V, 35A-h AGM SLA (2X)
CONTROL SYS.	24VDC
MOTOR	24VDC, 3 HP
DRIVING MEANS	2:1 CHAIN-HYDRAULIC

PLUNGER (2X)	1.25" SOLID
CYL. I.D. (2X)	2.00"
CYL. O.D. (2X)	2.38"
STROKE (2X)	(VARIES)

WORKING PSI	400 PSI
RELIEF PSI	600 PSI (1.5 X WP)

CHAIN TYPE	4X ANSI #50 ROLLER CHAIN
CHAIN STRENGTH	5045 LBF EACH
SAFETIES	2X TYPE A

DOOR LOCKS	(SEE HOISTWAY DOOR)
------------	---------------------

**CONFIGURATION: FINISHES**

LIFT COLOR (POWDER COAT)	<input type="checkbox"/> SILVER (STANDARD) <input type="checkbox"/> BLACK <input type="checkbox"/> CUSTOM: _____
HARDWARE COLOR	<input type="checkbox"/> SILVER (STANDARD) <input type="checkbox"/> BLACK <input type="checkbox"/> BRASS <input type="checkbox"/> OIL RUBBED BRONZE
PLATFORM WINDOWS	<input checked="" type="checkbox"/> CLEAR LAMINATED GLASS (STANDARD)
WINDOW ART	<input type="checkbox"/> NONE (STANDARD) <input type="checkbox"/> CUSTOM LOGO/IMAGE

**PROVISIONS BY OTHERS**

**GENERAL**

**HOISTWAY:** HOISTWAY MUST BE SQUARE AND PLUMB WITHIN 1/4" TO ENSURE PROPER LIFT OPERATION. SHAFT DIMENSIONS PROVIDED FOR REFERENCE ONLY. HOISTWAY MUST MEET ASME A18.1 AND ALL APPLICABLE STATE AND LOCAL CODES. HOISTWAY IS TO BE PROVIDED BY OTHERS.

**DOORS:** INSTALLATION OF DOORS TO MEET ALL APPLICABLE CODES. HOISTWAY DOORS TO BE PROVIDED BY OTHERS (SEE ATTACHED FOR RECOMMENDATION).

**REAR CABINET CLOSURE:** VERTICAL SURFACE BEHIND MACHINE CABINET SHALL HAVE STRENGTH AND STIFFNESS EQUIVALENT TO 14GA (.08) SHEET STEEL.

**DIMENSIONS:** TOTAL TRAVEL HEIGHT MUST BE WITHIN ±3/8" OF NOMINAL. VERIFY ALL DIMENSIONS AND IMMEDIATELY REPORT ANY DISCREPANCIES.

**FLOOR:** FLOOR BENEATH UNIT AND DOOR SWINGS MUST BE FLAT AND LEVEL WITHIN 1/8". OUTDOORS, DRAINAGE SHALL NOT FLOW THROUGH OR INTO UNIT.

**PIT/RAMP:** DO NOT PROVIDE PIT OR RAMP. LIFT DESIGNED WITH LOW-PROFILE PLATFORM FLOOR FOR DIRECT ENTRY IAW ADAAG 404.2.5.

**OVERHEAD CLEARANCE:** MUST COMPLY WITH ALL APPLICABLE CODES.

**CONSTRUCTION COORDINATION:** OWNER/AGENT RESPONSIBLE FOR ALL MASONRY, CARPENTRY, DRYWALL, PATCHING, AND FINISHING WORK NEEDED PRIOR TO AND FOLLOWING LIFT INSTALLATION.

**STRUCTURAL:** SUPPORTING STRUCTURE SHALL BE DESIGNED AND CONSTRUCTED TO SAFELY SUPPORT APPLIED LOADS IN ACCORDANCE WITH "CLARITY LOADING" DIAGRAM.

**ELECTRICAL**

**GENERAL:** ALL WIRING SHALL COMPLY WITH NFPA 70 (NEC).

**POWER:** 120VAC, 60HZ, 6A, 1PH CIRCUIT WITH DISCONNECT (SEE BELOW).

**CONCEALED REAR ACCESS:** CLEAR SPACE 7.25" X 7.50" (W X H) BEHIND LIFT AVAILABLE FOR WIRE ENTRY. SPACE CENTERED 10.88" RIGHT OF LIFT CENTERLINE AND NOMINALLY 6.88" ABOVE LOWER LANDING FLOOR.

**SIDE ACCESS:** TWO 1/2-14 NPSM THREADED HOLES ARE PROVIDED ON BOTH SIDES OF THE MACHINE CABINET. HOLES ARE NOMINALLY 2.25" AND 3.50" ABOVE LOWER FLOOR AND 1.00" FROM REAR VERTICAL WALL.

**MAIN DISCONNECT SWITCH:** OTHERS SHALL PROVIDE LOCKABLE FUSED DISCONNECT SWITCH IAW NFPA 70. SWITCH TO INCLUDE ADDITIONAL POLE OR CONTACT FOR DISCONNECTION OF CONTROLLER FROM 24V BACKUP SUPPLY.

**LIGHTING:** 54 LX MIN. AT PLATFORM AND LANDINGS.

**ADDITIONAL AC CONNECTIONS:** ADDITIONAL AC CONNECTIONS REQUIRED FOR: VENTILATION SYSTEM (IF EQUIPPED), 120VAC 1.3A 60HZ 1PH.

DOOR OPERATORS (BY OTHERS), POWER REQ. PER MANUFACTURER

**PHONE:** STANDARD PHONE CABLE WITH RJ11 PLUG CONNECTOR REQUIRED FOR OPTIONAL (ANALOG) HANDS-FREE PHONE, WHERE PROVIDED.

REV	FSCM NO.	DWG. NO.	REV
D	08992	CLARITY 16C	D
SCALE 1/16	RELEASED	SHEET 3	

# CLARITY LOADING - SAME SIDE ENTRY & EXIT (16C,16D)

(GENERIC APPLICATION DEPICTED; ENCLOSURE NOT SHOWN)

MACHINE CABINET ANCHORS					
ANCHORING REQUIREMENT	ANCHOR LOCATION* (±.38) [IN]	MAX LOAD** PER ANCHOR [LBF]	# OF ANCHORS	TYPE (NEXT SHEET)	APPLICABILITY
ANCHOR AT ONE OF THESE LOCATIONS. OTHERS OPTIONAL†	193.50	222	2	C	TRAVEL > 148"
	169.50				TRAVEL > 124"
	145.50				TRAVEL > 100"
	121.50				ALL LIFTS
OPTIONAL†	97.50	222	2	C	ALL LIFTS
	73.50				
	49.50				
	25.50				
ANCHOR AT ONE OF THESE LOCATIONS	6.00	222	2	C	ALL LIFTS
	LOWER F.F.		2	D	H.L. PKG ONLY
ENCLOSURE ANCHORS (16D MODEL ONLY)					
REQUIRED IF PRESENT	UPPER F.F.	100	2	E	16D ONLY
REQUIRED IF PRESENT	LOWER F.F.	100	2	F	16D ONLY

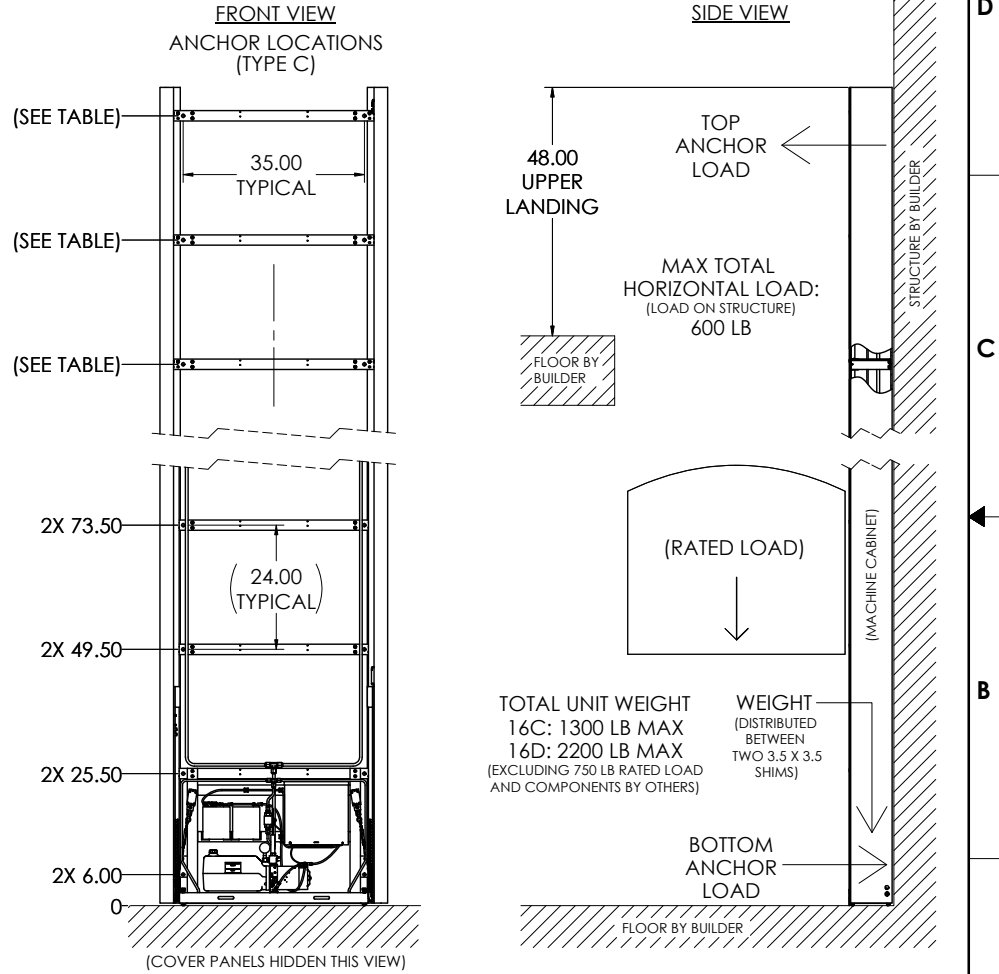
\* ACTUAL LOCATIONS OF WALL ANCHORS MAY VARY AS MUCH AS ±3/8" FROM VALUES GIVEN ABOVE. MOUNTING STRUCTURE MUST BE ABLE TO ACCOMMODATE THIS VARIABILITY.

\*\* LOADS LISTED ASSUME STATIC LOADING AND DO NOT INCLUDE WIND, SEISMIC, OR SAFETY FACTOR.

† USE OF OPTIONAL ANCHORS RECOMMENDED FOR MAXIMUM RIGIDITY.

**ADDITIONAL NOTES:**

- ANCHORS PROVIDED BY ASCENSION FOR COMMON MOUNTING APPLICATIONS. (SEE NEXT SHEET FOR DETAILS).  
STAINLESS-STEEL CONCRETE ANCHORS PROVIDED FOR OUTDOOR APPLICATIONS.



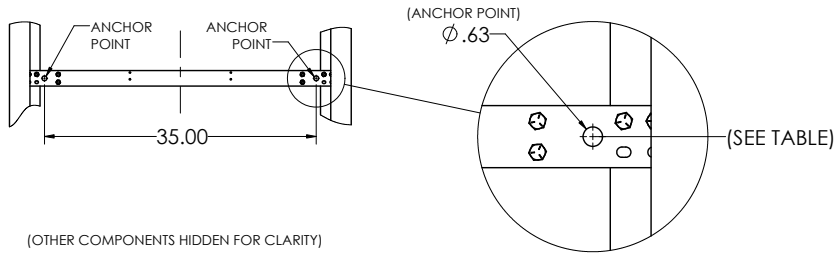
INTERPRET DIMENSIONS AND TOLERANCES (ASME Y14.5M-1994)		DRAWN: S. APPLEBY DATE: 7-1-20		CIGM CONTAINER CONTROLS, INC. P.O. BOX 4000 - TUCSON, ARIZONA 85717-0000	
UNLESS OTHERWISE SPECIFIED DIMENSIONS ARE IN INCHES TOLERANCES: ANGLES ±0.004		CHECK: APPROVED By Philip Erobeck at 9:47 am, Sep 17, 2020		CLARITY LOADING SAME SIDE	
DO NOT SCALE DRAWING.		SCALE: 1/16		FSCM NO. 08992	
PART NO.:		REV: D		DWG. NO. CLARITY LOADING SS A	
NEXT ASSY:		RELEASE DATE:		SHEET 1 OF 2	

### ANCHOR LOCATION TYPE: C

**ANCHORS PROVIDED - FOR CONCRETE OR WOOD STRUCTURES:**

2X (EACH) 1/2" X 4" CONCRETE ANCHORS  
 (EX: SIMPSON STRONG-TIE P/N THD50400H, THD50400H6SS, OR THD50400H4SS)

2X (EACH) 1/2" X 4" LAG SCREWS FOR WOOD (INDOOR ONLY)  
 (SEE NEXT SHEET FOR SUGGESTED WALL CONSTRUCTION)



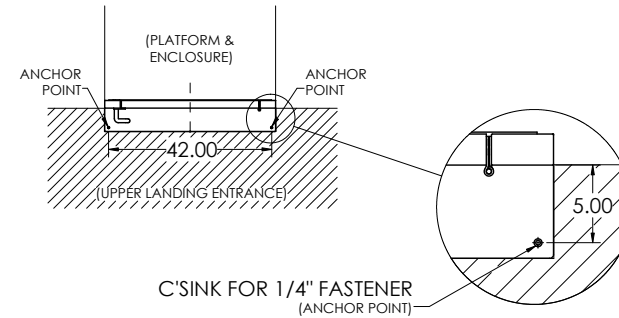
### ANCHOR LOCATION TYPE: E

(CLARITY 16D ONLY)

**ANCHORS PROVIDED - FOR CONCRETE OR WOOD LANDINGS:**

2X 1/4" X 2.25" FLAT HEAD CONCRETE ANCHORS  
 (EX: SIMPSON STRONG-TIE P/N TTN25214PFSS)

2X 1/4-20 THREADED INSERTS FOR WOOD (INDOOR ONLY)  
 2X 1/4-20 FLAT HEAD SCREWS



(POWER GATE OPERATOR & OTHER COMPONENTS HIDDEN FOR CLARITY)

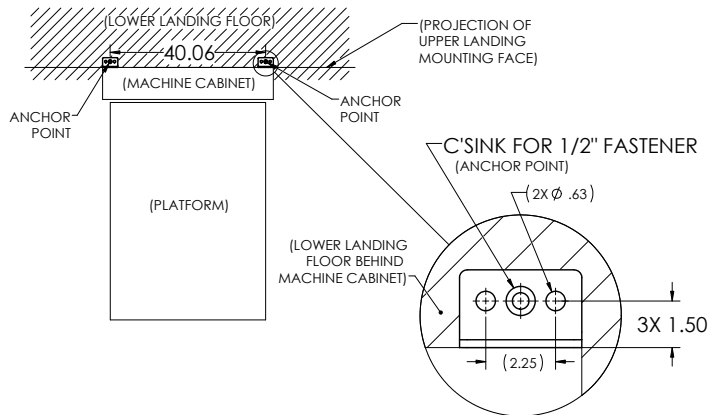
### ANCHOR LOCATION TYPE: D

(HOLLOW LANDING PACKAGE [H.L. PKG] ONLY)

**ANCHORS PROVIDED - FOR NORMAL-WEIGHT CONCRETE FLOOR ONLY:**

2X 1/2" X 2" DROP-IN CONCRETE ANCHORS, 1/2-13 INTERNAL THREAD  
 (EX: SIMPSON STRONG-TIE P/N DIAB50, DIA506SS, OR DIA50SS)

2X 1/2-13 X 1" FLAT HEAD SCREWS



### ANCHOR LOCATION TYPE: F

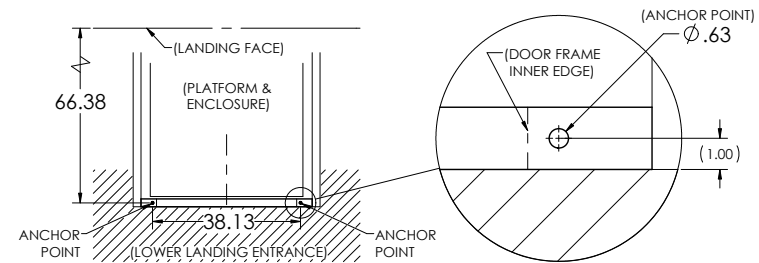
(CLARITY 16D ONLY)

**ANCHORS PROVIDED - FOR CONCRETE OR WOOD FLOOR:**

2X 1/2" X 2" DROP-IN CONCRETE ANCHORS, 1/2-13 INTERNAL THREAD  
 (EX: SIMPSON STRONG-TIE P/N DIAB50, DIA506SS, OR DIA50SS)

2X 1/2-13 X 1" SCREWS

2X 1/2" X 4" LAG SCREWS FOR WOOD (INDOOR ONLY)



REV	FSCM NO.	DWG. NO.	REV
D	08992	CLARITY LOADING SS	A
SCALE 1/16	RELEASE DATE	SHEET 2	

4

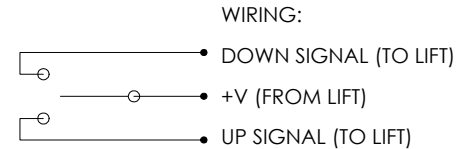
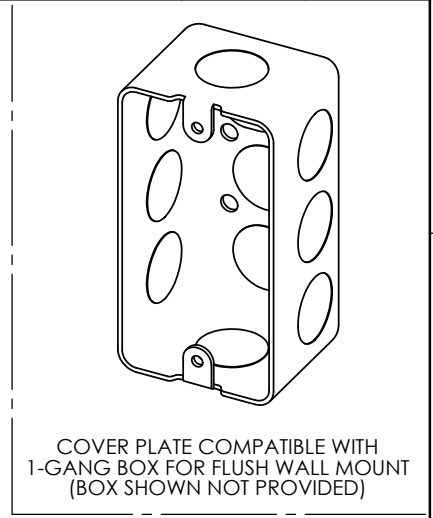
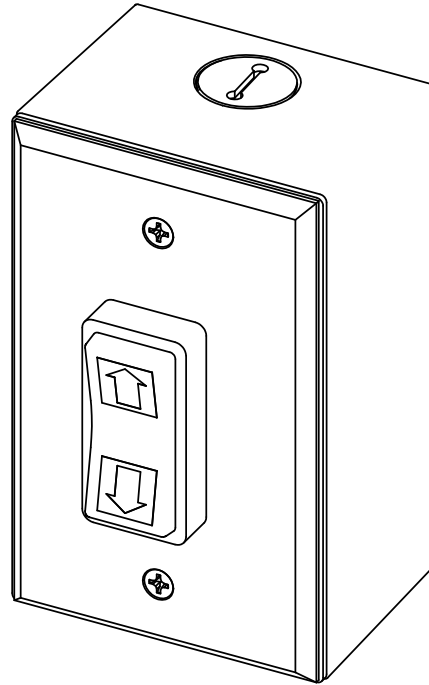
3

2

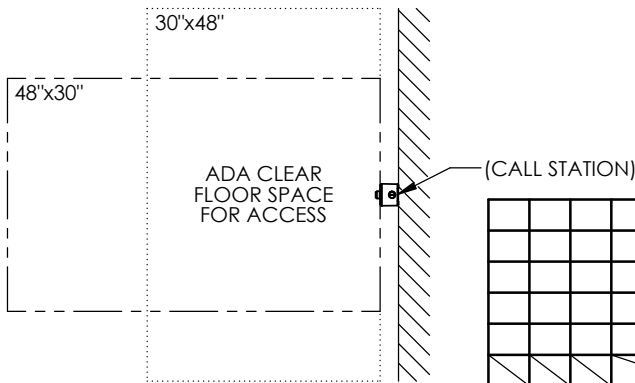
1

NOTES UNLESS OTHERWISE SPECIFIED:

- 1. DESCRIPTION: REMOTELY LOCATED CALL STATION FOR ASCENSION VERTICAL PLATFORM WHEELCHAIR LIFT.
  - 2. CHARACTERISTICS:
    - 2.1 COVER PLATE: STANDARD SIZE WALL PLATE (4.5" X 2.75"), BRUSHED STAINLESS STEEL.
    - 2.2 SWITCH: 3 POSITION ROCKER, REQUIRES CONSTANT PRESSURE TO ACTUATE.
    - 2.3 MOUNTING BOX: SURFACE MOUNT SINGLE GANG HANDY BOX, 2.00" DEEP.
    - 2.4 WEATHER RATING: SUITABLE FOR OUTDOOR USE.
  - 3. ADA REQUIREMENTS:
    - 3.1 MOUNT BETWEEN 15" AND 48" ABOVE FLOOR. IAW ADAAG 308.2 OR 308.3
    - 3.2 PROVIDE 30"x48" OR 48"x30" CLEAR FLOOR SPACE FOR ACCESSING CALL STATION. IAW ADAAG 309.2 & 305
- NOTE: CLEAR FLOOR SPACE MUST BE OUTSIDE SWING OF AUTOMATIC DOORS AND GATES.



(3) 1/4" QUICK-DISCONNECT TERMINALS (PROVIDED)



PART DASH NO.				QTY. REQ'D PER ASSY.	NEXT	FINAL	NEXT ASSY.	USED ON	APPLICATION	SIMILAR TO	ACT. WT.	CALC. WT.	
FINISH				DO NOT SCALE DRAWING		UNLESS OTHERWISE SPECIFIED DIMENSIONS ARE IN INCHES		TOLERANCES:		DECIMALS .XX ± N/A .XXX ± N/A		ANGLES ± N/A	
CONTRACT NO.				DRAWN S. APPELBY		DATE 9-16-22		CHECK		APPROVED		By Philip Brobeck at 12:47 pm, Oct 04, 2022	
MANUFACTURING				CUSTOMER		TITLE		OPERATING STATION (CALL BOX) WALL MOUNTED		SIZE B		FSCM NO. 08992	
SCALE 1/1				RELEASE DATE		DWG. NO. 115712		REV. D		SHEET 1 OF 1		FILE \Solidworks01\Ascension\115712_SALES.SLDDRW	

**AGM CONTAINER CONTROLS, INC.**  
P.O. BOX 40020 - TUCSON, ARIZONA 85717-0020

**OPERATING STATION (CALL BOX) WALL MOUNTED**

SIZE **B** FSCM NO. **08992** DWG. NO. **115712** REV. **D**

SCALE 1/1 RELEASE DATE SHEET 1 OF 1

4

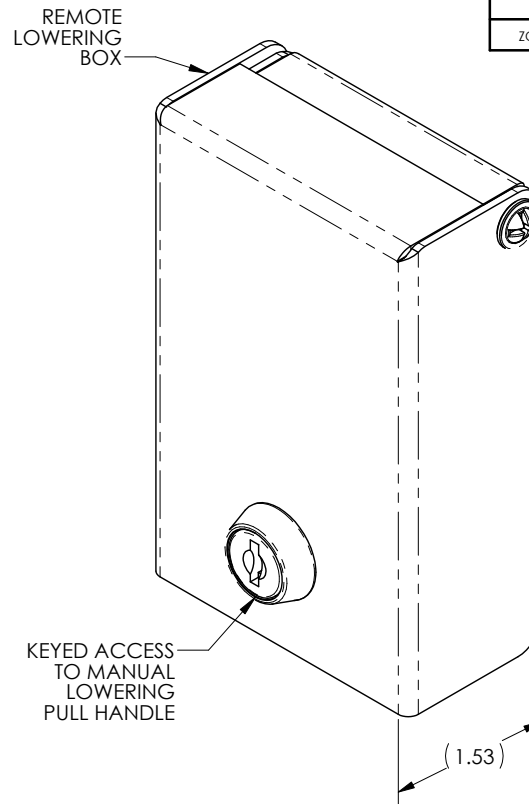
3

2

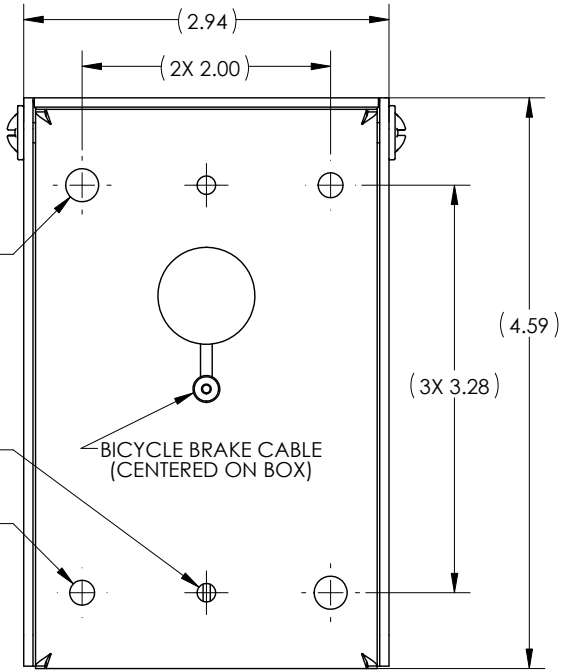
1

NOTES UNLESS OTHERWISE SPECIFIED:

1. DESCRIPTION: REMOTELY LOCATED MANUAL LOWERING STATION FOR ASCENSION VERTICAL PLATFORM WHEELCHAIR LIFTS.
2. CHARACTERISTICS:
  - 2.1 KEYED ACCESS TO MANUAL LOWERING PULL HANDLE LOCATED BEHIND LOCKED COVER.
  - 2.2 160" LONG BICYCLE BRAKE CABLE RUNNING FROM BACK OF BOX TO BE CONNECTED TO LOWERING VALVE ON LIFT POWER UNIT.
  - 2.3 THREE (3) SEPARATE PAIRS OF MOUNTING HOLES AVAILABLE FOR MOUNTING REMOTE LOWERING BOX TO WALL.
3. SITE CONSIDERATIONS:
  - 3.1 PROVIDE MEANS FOR MOUNTING REMOTE MANUAL LOWERING BOX TO WALL.
    - 3.1.1 THE .150" DIAMETER HOLES ARE LOCATED FOR FASTENING TO FRONT OF STANDARD RECESSED SINGLE GANG WALL BOX
  - 3.2 PROVIDE MEANS TO ROUTE BICYCLE BRAKE CABLE FROM BACK OF REMOTE MANUAL LOWERING BOX TO LOWERING VALVE ON POWER UNIT
  - 3.3 ENSURE ANY BENDS IN BICYCLE BRAKE CABLE HAVE AT LEAST A 2.00" RADIUS.



BICYCLE BRAKE CABLE RUNNING TO LOWERING VALVE ON POWER UNIT



MOUNTING HOLES (BACK VIEW)

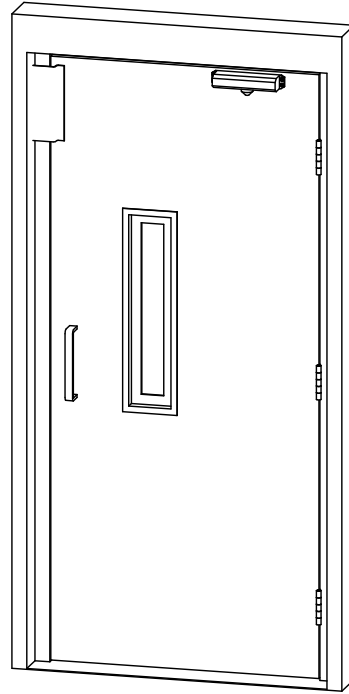
REVISIONS				
ZONE	LTR.	DESCRIPTION	DATE	APPROVAL

INTERPRET DIMENSIONS AND TOLERANCES IAW ANSI Y14.5M-1994 UNLESS OTHERWISE SPECIFIED DIMENSIONS ARE IN INCHES TOLERANCES: DECIMALS .XX ± N/A ANGLES ± N/A .XXX ± N/A DO NOT SCALE DRAWING			CONTRACT NO. DRAWN S.APPELBY DATE 8-12-19 CHECK <b>APPROVED</b> By Philip Brobeck at 12:15 pm, Aug 13, 2019 MANUFACTURING CUSTOMER		<b>AGM CONTAINER CONTROLS, INC.</b> P.O. BOX 40020 - TUCSON, ARIZONA 85717-0020 TITLE <b>REMOTE MANUAL LOWERING STATION WALL MOUNTED</b>				
PART DASH NO.	NEXT	FINAL	NEXT ASSY.	USED ON	FINISH	SCALE	FSCM NO.	DWG. NO.	REV.
						<b>B</b>	<b>08992</b>	<b>117580</b>	-
QTY. REQ'D PER ASSY.		APPLICATION		SIMILAR TO	ACT. WT.	RELEASE DATE	SHEET 1 OF 1		

REVISIONS				
ZONE	REV.	DESCRIPTION	DATE	APPROVED

# SPECIFICATIONS FOR DOORS BY OTHERS (FOR USE WITH ASCENSION LIFTS)

1. **DESCRIPTION:**  
SPECIFICATIONS FOR DOOR AND INTERLOCK (BY OTHERS) FOR USE WITH ASCENSION WHEELCHAIR LIFTS (16S, 16C, & CERTAIN 5442F SERIES LIFTS).
  
2. **CODE REQUIREMENTS:**  
DOOR AND INTERLOCK TO COMPLY WITH ALL APPLICABLE CODES AND REQUIREMENTS, INCLUDING ASME A18.1.  
GENERAL REQUIREMENTS FOR REFERENCE ONLY:
  - DOOR MUST BE SELF-CLOSING
  - INSIDE OF DOOR MUST FORM SMOOTH, UNPERFORATED SURFACE FLUSH WITH SURROUNDING FACES OF ENCLOSURE/HOISTWAY
  - DOOR AND INTERLOCK MUST WITHSTAND A 125 LBF APPLIED FORCE
  - DOOR MUST BE FIRE-RATED (IF APPLICABLE)
  
3. **INTERLOCK SPECIFICATIONS:**  
INTERLOCK TO INCLUDE TWO (2) PARALLEL (SEPARATE) CONTACTS FOR LIFT'S DOOR CLOSED AND DOOR LOCKED SIGNAL CIRCUITS. CONTACTS TO BE CLOSED WHEN DOOR SHUT AND LOCKED.  
INTERLOCK TO BE FAIL-SECURE, 24VDC, 0.5A MAX CURRENT DRAW.  
(1.0A MAX CURRENT DRAW FOR PROTÉGÉ 5442F SERIES)  
  
RECOMMENDED INTERLOCK MODELS:
  - IDEC HS5L (HS5L-XD44M-G OR SIMILAR)
    - AVAILABLE FROM ASCENSION
  - ATLAS ATLOCK (ATLOCK-LP5 (LH), ATLOCK-RP5 (RH), OR SIMILAR)
  - HONEYWELL CDI (CDILBP1W (LH), CDIRBP1W (RH), OR SIMILAR)
  
4. **RECOMMENDED HOISTWAY DOOR MANUFACTURER & MODEL:**  
BELCO DOORS  
P/N: COM-316 (CONTACT BELCO DOORS OR ASCENSION FOR SPEC DRAWING)  
  
STANDARD FEATURES:
  - 1.5 HOUR FIRE RATING
  - VISION PANEL
  - PRIMED AND READY FOR PAINT  
 OPTIONS:
  - "RH" OR "LH" HANDING
  - CONCEALED POWER DOOR OPERATOR (PDO)
  - OUTDOOR WEATHER PACKAGE



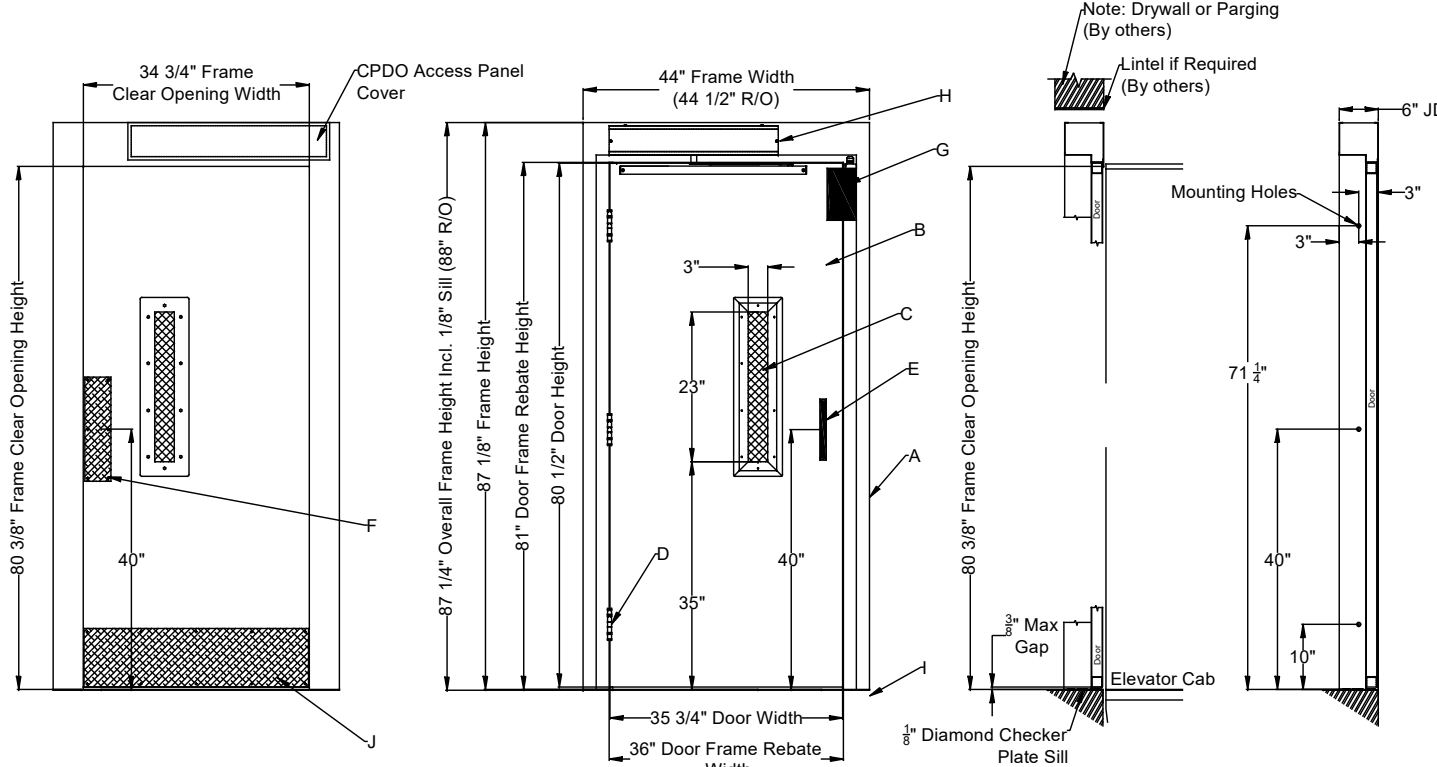
DOOR APPEARANCE FOR REFERENCE ONLY  
("LH" HANDING SHOWN)

FIRE-RATED WOODEN DOOR OPTIONS AVAILABLE; CONTACT BELCO DOORS FOR MORE DETAILS.

<table border="1" style="width: 100%; border-collapse: collapse;"> <tr> <td style="width: 25%;">DATE</td> <td style="width: 25%;">11-8-22</td> </tr> <tr> <td style="width: 25%;">DRAWN</td> <td style="width: 25%;">S. APPLEBY</td> </tr> </table>		DATE	11-8-22	DRAWN	S. APPLEBY	<small>INTERPRET DIMENSIONS AND TOLERANCES IN ACCORDANCE WITH ASME Y14.5M-1994 UNLESS OTHERWISE SPECIFIED DIMENSIONS ARE IN INCHES TOLERANCES: DECIMALS: .XXX ± .010 ANGLES: ± .010</small>			
		DATE	11-8-22						
DRAWN	S. APPLEBY								
DO NOT SCALE DRAWING.		APPROVED By Phillip Brobeck at 12:00 pm, Nov 21, 2022		SPECIFICATIONS FOR DOORS BY OTHERS					
FSCM NO. <b>D 08992</b>		DWG. NO. <b>16S DOOR</b>		SHEET <b>1</b> OF <b>1</b>					

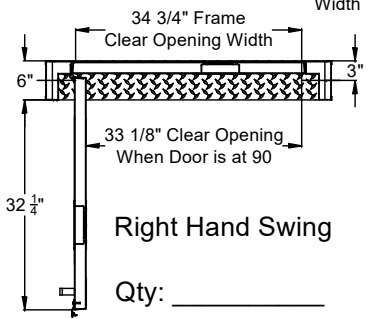
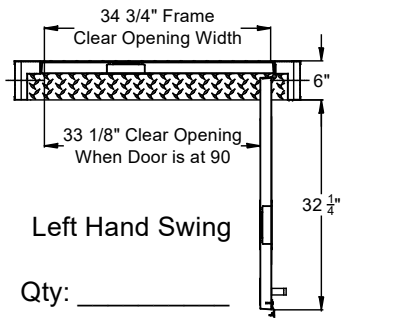


# BELCO DOORS COM-316 ORDER FORM

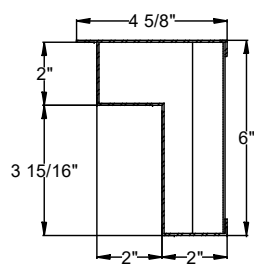


1-1/2 Hour Elevator Approved "B" Fire Label

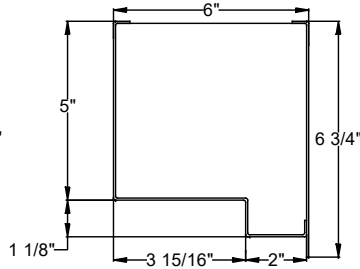
- A. 16ga. Frame (Galvanneal & Paint Ready)
- B. 18ga. Steel Door (Honeycomb Core, Galvanneal & Paint Ready)
- C. 3" x 23" Vision Panel (1/4" Wired Glass)
- D. (3) 4 1/2" NRP BB Hinges (US26D Finish)
- E. D-Handle (Brushed Aluminum)
- F. Push Plate (Brushed Aluminum)
- G. EMI Interlock (Atlas Atlock)
- H. Concealed PDO-110V (Optional)
- I. Flat Diamond Zinc Plated Sill with Sill Pins
- J. Kick Plate (Brushed Aluminum)



**Side Jamb Profile**



**Head Jamb Profile**



Standard Entrances are provided with a Manual Door Closer, if Power Door Operation is Required - Please Check Box Below

Power Door Operation is Required

Standard Entrances are for Interior use, if Exterior Application Pkg. is Required - Please Check Box Below

Exterior Application Pkg. Required

NIAGARA BELCO DOORS LTD. IS NOT RESPONSIBLE FOR THE STRUCTURAL DESIGN OF THE BUILDING AND ITS ABILITY TO SUPPORT THE ENTRANCE.

REV NO.	REVISION DESCRIPTION	DATE	BY
0	INITIAL RELEASE	2NOV22	JPH

AGM Container  
COM-316-3681-CPDO  
Size 36" x 81"

SCALE: \_\_\_\_\_

DRAWN BY:	DATE LAST MODIFIED:	DRAWING NO.	REV	SHEET NO.
JPH	NOV 15 2022	COM-316-3681-CPDO	0	1 OF 1