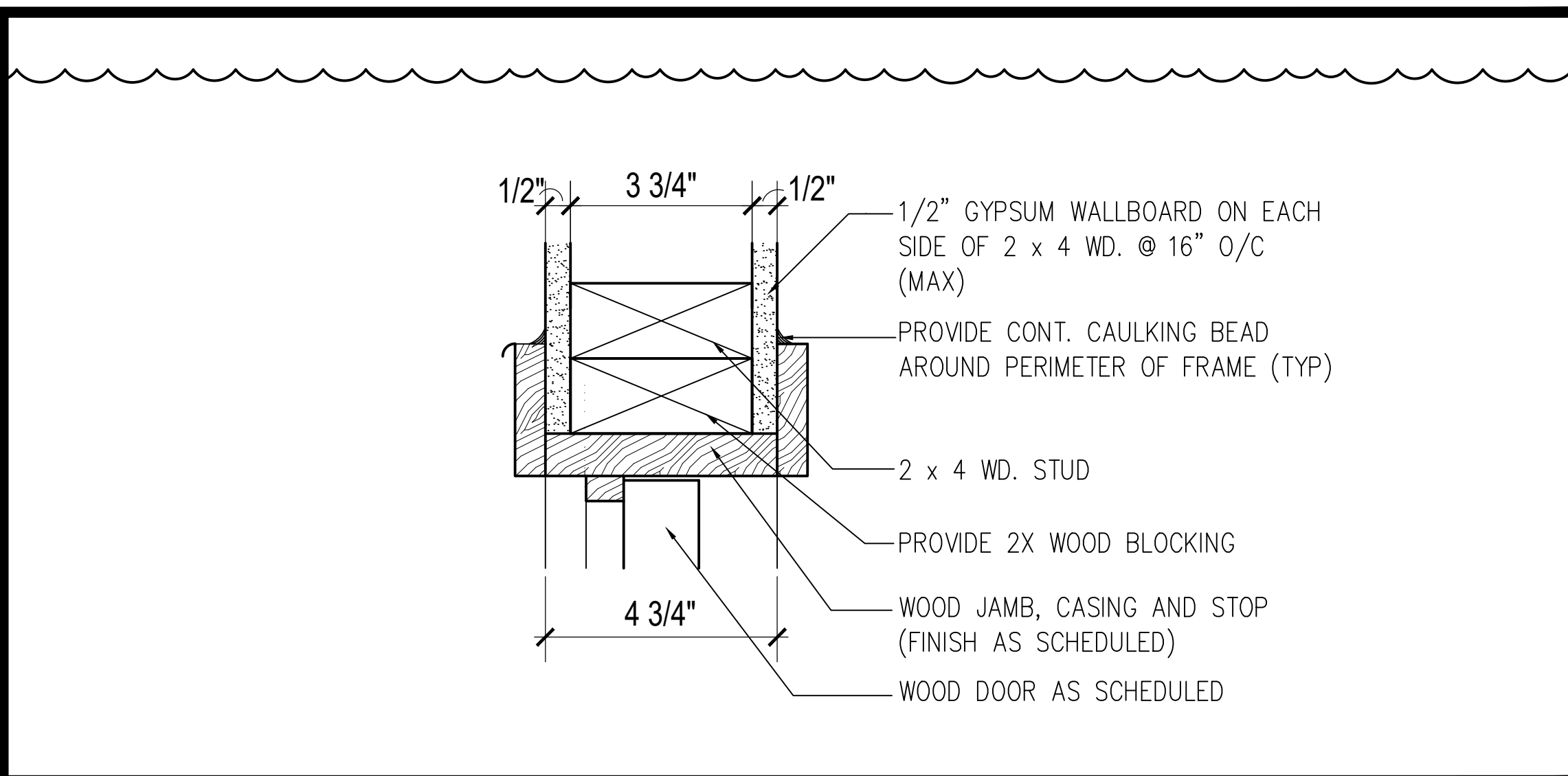
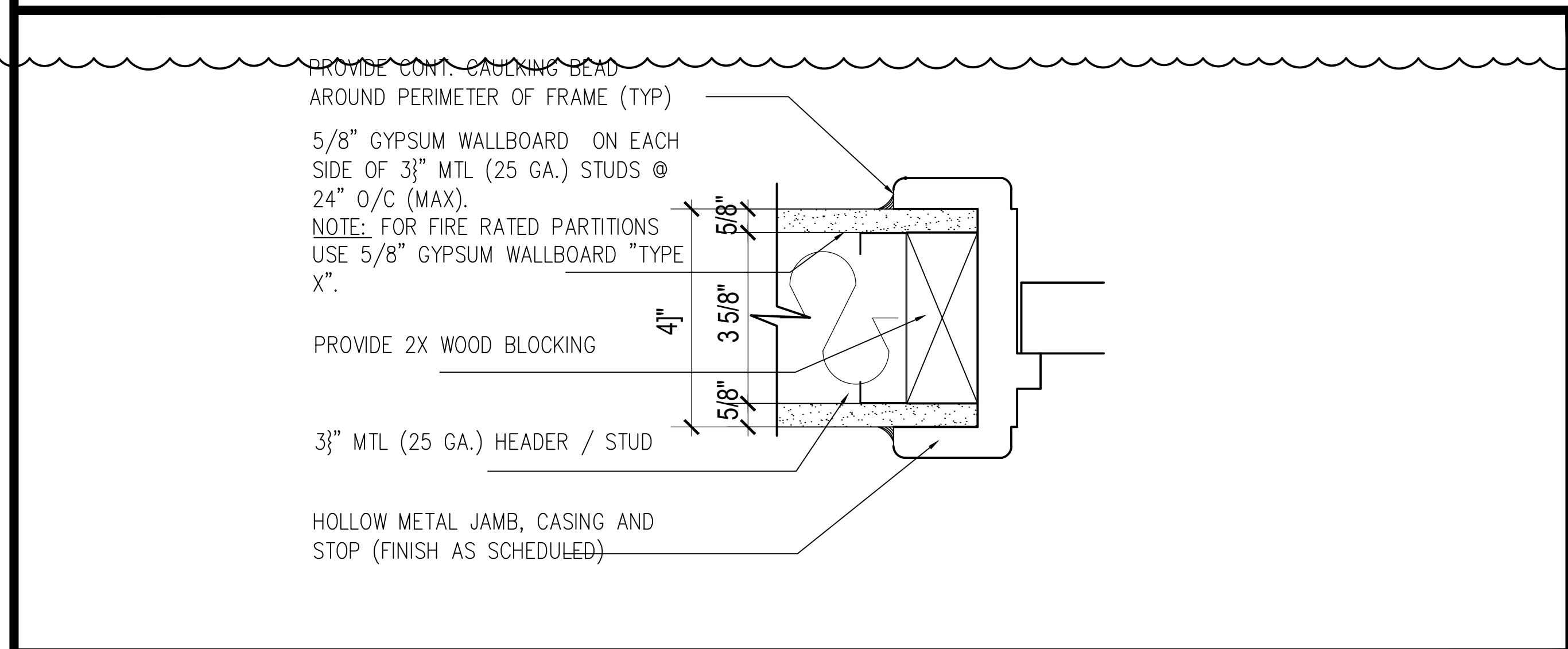


INTERIOR DOOR SCHEDULE

| FLOORS | ROOM NAME | TYPE | HARDWARE SET | DOOR SIZE & DESCRIPTION | | | | | | | | | | | | | | FRAME | | | THR | | | REMARKS | | | | | | | | | | |
|--------|--------------------------|------|--------------|-------------------------|-------|--------|-----------|----------|----------|--------|-------|----------|---------|--------|--------|-------------|-------------|------------|----------|----------|--------|-------|----------------|---------|--------|----------|---------|-------------|--------------|--------------|--|--|--|---------------|
| | | | | PAIR | WIDTH | HEIGHT | THICKNESS | UNDERCUT | MATERIAL | FINISH | LABEL | LOUVERED | SLIDING | BIFOLD | BYPASS | SGL. ACTING | DBL. ACTING | GLASS TYPE | ASTRAGAL | MATERIAL | FINISH | LABEL | PANIC HARDWARE | | MARBLE | ALUMINUM | TRANSOM | SELF CLOSER | WEATHERSTRIP | CASING (STD) | | | | |
| A | BATHROOM(GROUND FLOOR) | (A) | | | 3'-0" | 6'-8" | 1-3/8" | | WD | PNT | | | | | | | | | WD | PNT | | | | | | | | | | | | | | |
| B | APARTMENTS(SECOND FLOOR) | (A) | | | 3'-0" | 6'-8" | 1-3/8" | | WD | PNT | | | | | | | | | WD | PNT | | | | | | | | | | | | | | |
| C | AC | (B) | | | 2'-0" | 6'-8" | 1-3/8" | | WD | PNT | | | | | | | | | WD | PNT | | | | | | | | | | | | | | FULL LOUVERED |
| D | CL | (A) | | | 2'-4" | 6'-8" | 1-3/8" | | WD | PNT | | | | | | | | | WD | PNT | | | | | | | | | | | | | | |
| E | CL | (C) | | | 4'-0" | 8'-0" | 1-3/8" | | WD | PNT | | | | | | | | | WD | PNT | | | | | | | | | | | | | | BI FOLD |
| F | CL | (C) | | | 3'-0" | 6'-8" | 1-3/8" | | WD | PNT | | | | | | | | | WD | PNT | | | | | | | | | | | | | | BI FOLD |
| G | CL | (C) | | | 2'-0" | 6'-8" | 1-3/8" | | WD | PNT | | | | | | | | | WD | PNT | | | | | | | | | | | | | | BI FOLD |

CONTRACTOR SHALL FIELD VERIFY ALL DIMENSIONS & MASONRY OPENINGS

NOTES:
1-ALL FIRE RATED DOORS SHALL HAVE FIRE RATED HARDWARE. (TYP) REFER TO DOOR SCHEDULE FOR LOCATIONS.

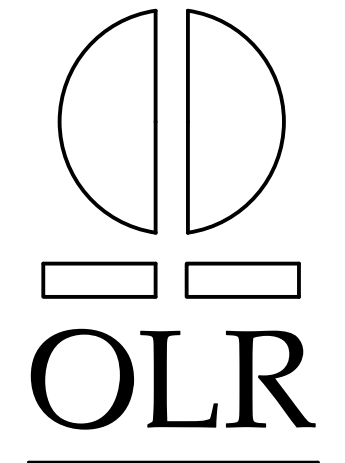
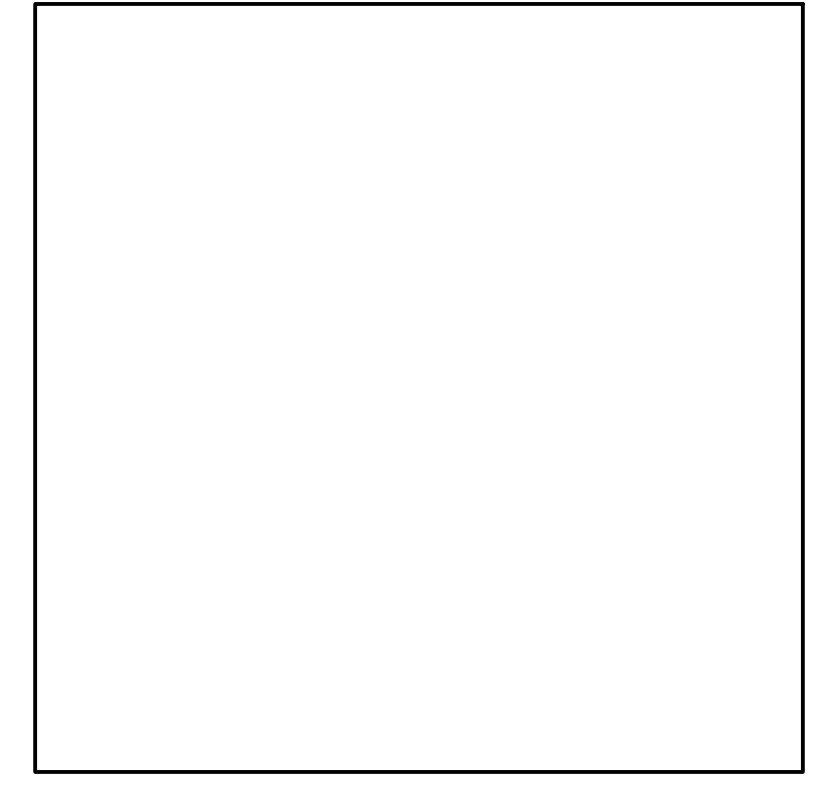


1 HOLLOW MTL. JAMB/HEADER DET.

2 WOOD JAMB / HEADER DETAIL



DOOR TYPES SCALE: 1/4" = 1'-0"



ARCHITECT
ORESTES LOPEZ-RECIO
AR0009350
5895 SW 32 ST
MIAMI, FLORIDA
33155
PHONE: (305)360-2836

OWNER:
1820 SW 3 AVE LLC
1820 SW 3RD AVE UNIT 7 (IVY LOBBY)
MIAMI FL 33130

PROPOSED INTERIOR
LEGALIZATION FOR:
1820 SW 3 AVE LLC
1820 SW 3RD AVE
MIAMI FLORIDA, 33129

SEAL

REVISIONS
B.D.C. 10.12.24

DATE 07-31-24
SCALE AS SHOWN
DRAWN : OLR
JOB NO. : 24-2670

A-09

SHEET NO.: OF

