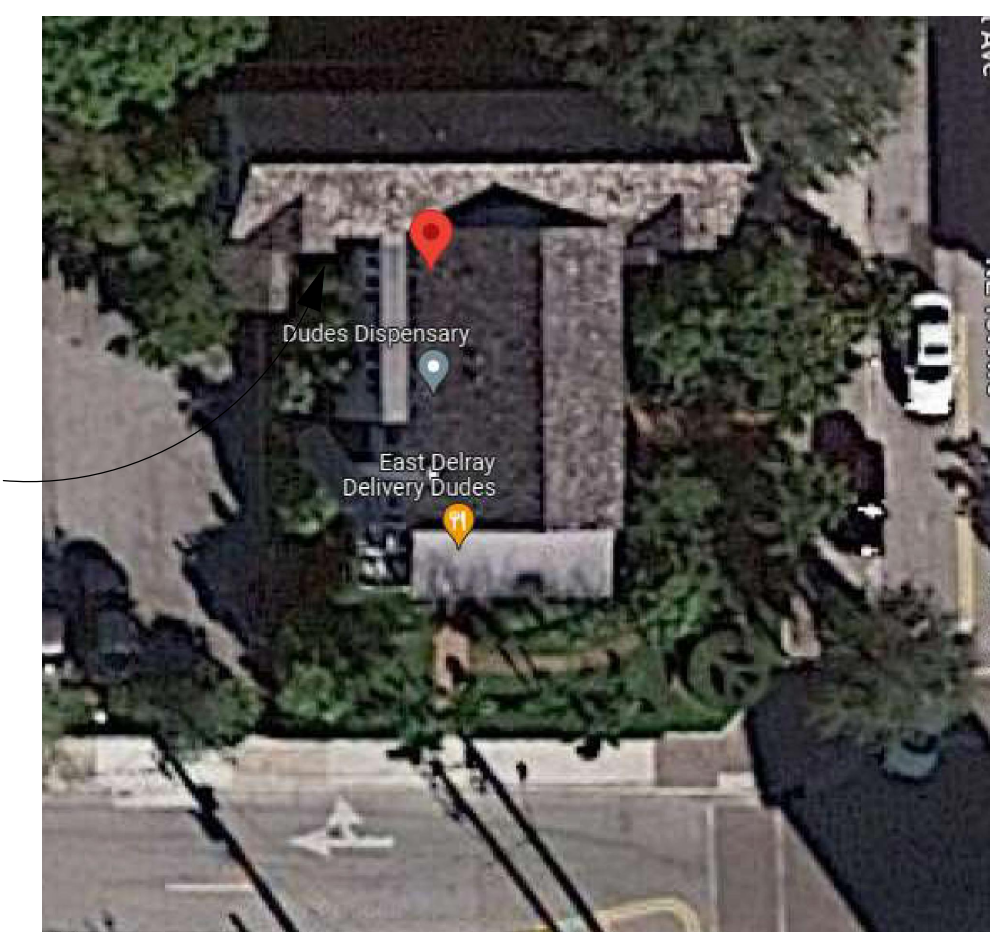




Location of ramp



RAMP DETAILS

405 Ramps

405.1 Slope. Ramp runs shall have a running slope not steeper than 1:8.

405.3 Cross Slope. Cross slope of ramp runs shall not be steeper than 1:48.

405.5 Clear Width. The clear width of a ramp run and, where handrails are provided, the clear width between handrails shall be 36 inches (915 mm) minimum.

405.6 Rise. The rise for any ramp run shall be 30 inches (760 mm) maximum.

405.7 Landings. Ramps shall have landings at the top and the bottom of each ramp run. Landings shall comply with 405.7.

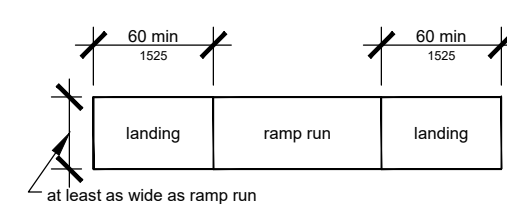


Figure 405.7 Ramp Landings

405.7.1 Slope. Landings shall have slope no steeper than 1:48. Changes in level are not permitted.

405.7.2 Width. The landing clear width shall be at least as wide as the widest ramp run leading to the landing.

405.7.3 Length. The landing clear length shall be 60 inches (1525 mm) long minimum.

405.7.4 Change in Direction. Ramps that change direction between runs at landings shall have a clear landing 60 inches (1525 mm) minimum by 60 inches (1525 mm) minimum.

405.7.5 Downways. Where downways are located adjacent to a ramp landing, measuring clearances required by 404.2.4 and 404.3.2 shall be permitted to overlap the required landing clearances.

405.8 Handrails. Ramp runs with a rise greater than 6 inches (150 mm) shall have handrails complying with 505.

405.9 Edge Protection. Edge protection complying with 405.9.1 or 405.9.2 shall be provided on each side of ramp runs and at each side of ramp landings.

405.9.1 Extended Floor or Ground Surface. The floor or ground surface of the ramp run or landing shall extend 12 inches (305 mm) minimum beyond the inside face of a handrail complying with 505.

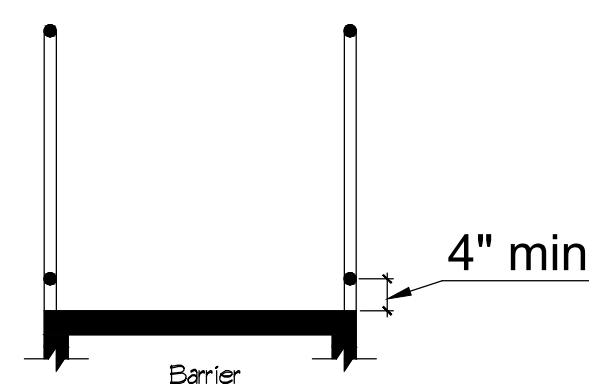


Figure 405.9.1 Ramp Edge Protection

405.9.2 Barrier. A barrier shall be provided that prevents the passage of a 4 inch diameter sphere, where any portion of the sphere is within 4 inches of the finish floor or ground surface.

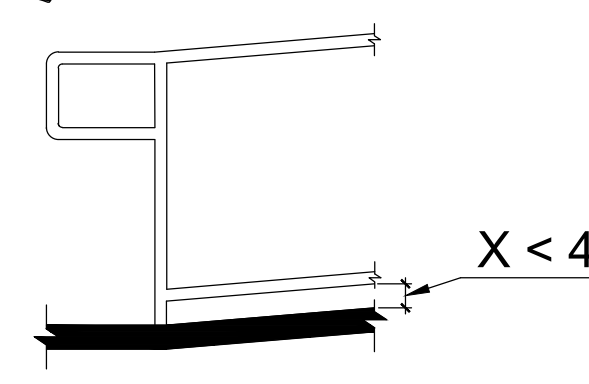


Figure 405.9.2 Barrier Edge Protection

505 Handrails

505.4 Height. Top of gripping surfaces of handrails shall be 34 inches (865 mm) minimum and 38 inches (965 mm) maximum vertically above walking surfaces, stair nosings, and ramp surfaces. Handrails shall be at a consistent height above walking surfaces, stair nosings, and ramp surfaces.

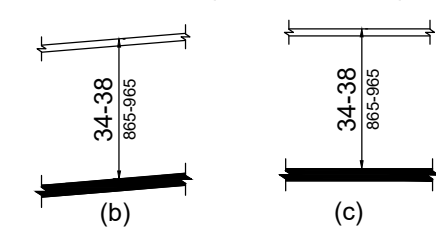


Figure 505.4 Handrail Height

505.8 Surfaces. Handrail gripping surfaces and any surfaces adjacent to them shall be free of sharp or abrasive elements and shall have rounded edges.

505.9 Fittings. Handrails shall not rotate within their fittings.

505.10 Handrail Extension. Handrail gripping surfaces shall extend beyond and in the same direction of stair flights and ramp runs in accordance with 505.10.

505.10.1 Top and Bottom Extension at Ramps. Ramp handrails shall extend horizontally above the landing for 12 inches (305 mm) minimum beyond the top and bottom of ramp runs. Extensions shall return to a wall, guard, or the landing surface, or shall be continuous to the handrail of an adjacent ramp run.

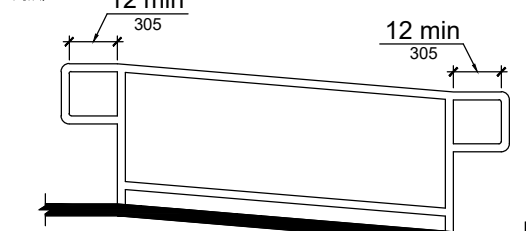
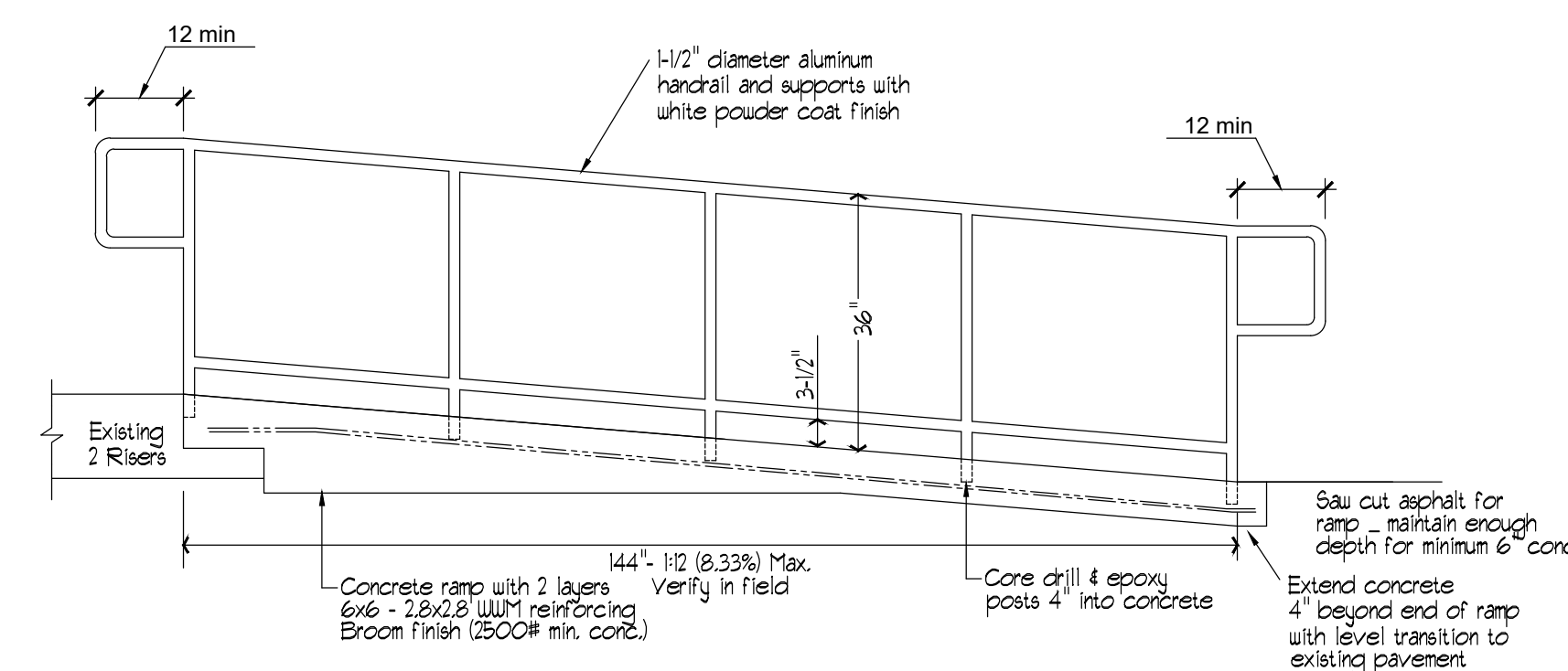
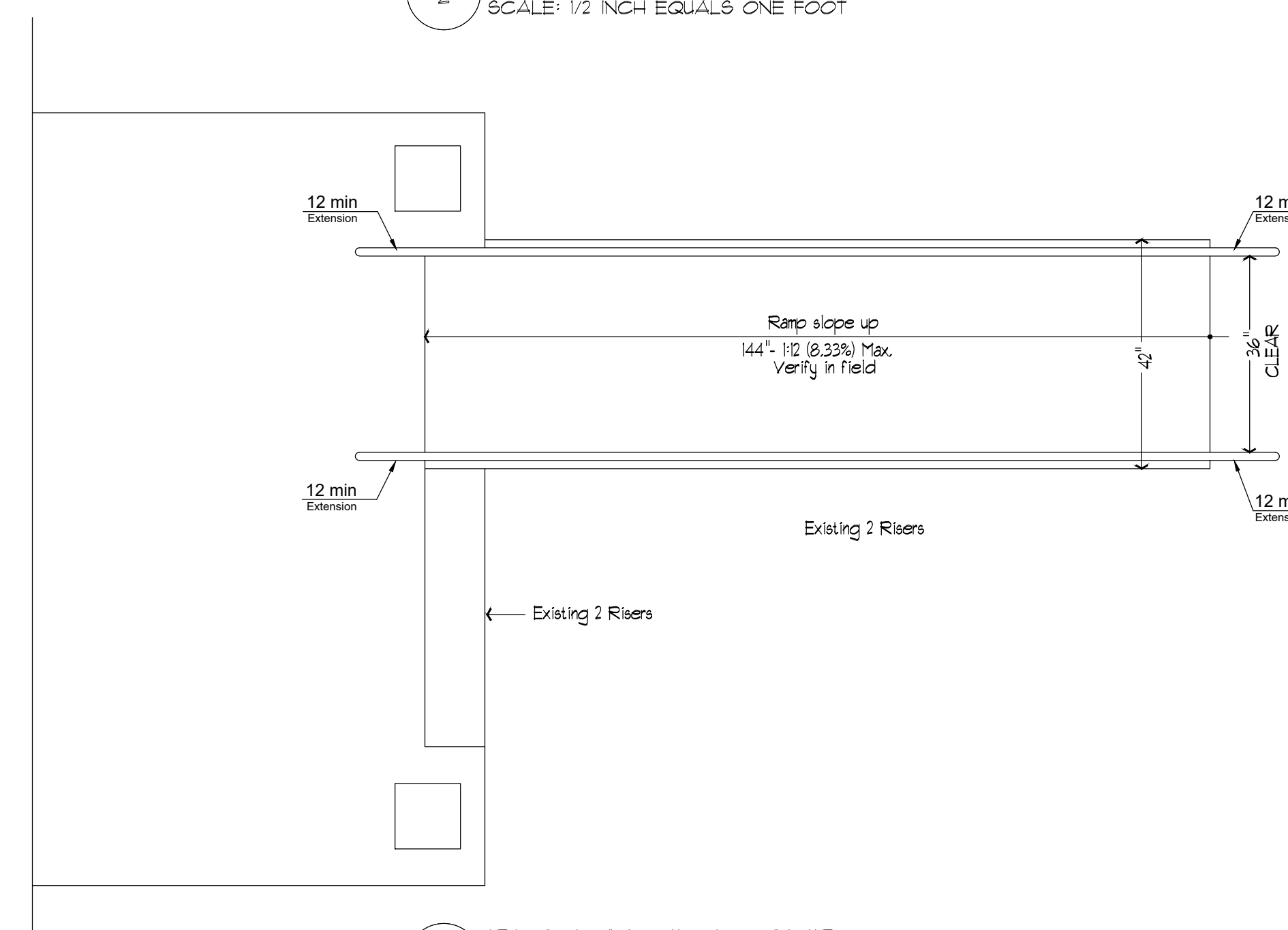


Figure 505.10.1 Top and Bottom Handrail Extension at Ramps

Provide vertical pickets at 4" center to center on all railings on ramps that exceed 30 inches above adjacent grade.



2 SECTION AT NEW RAMP
 SCALE: 1/2 INCH EQUALS ONE FOOT



1 PLAN AT NEW RAMP
 SCALE: 1/2 INCH EQUALS ONE FOOT

NO.	DESCRIPTION REVISIONS	DATE

PROJECT TITLE
**OLD SCHOOL SQUARE OFFICE SUITES
 NEW SOUTHWEST ENTRANCE RAMP**
 102 NORTHEAST 1ST AVENUE
 DELRAY BEACH, FLORIDA

SHEET TITLE
**PLAN/SECTION
 DETAILS/NOTES**

COPYRIGHT 2023 - INTER/PLAN, INC. - ALL RIGHTS RESERVED

SEAL
 STATE OF FLORIDA
 REGISTERED ARCHITECT
 RANDOLPH C HANSEN
 AR 6984

PHASE
 CONSTRUCTION DOCUMENTS
 DRAWN BY
 HANSEN
 CHECKED BY
 HANSEN
 DATE
 25 APRIL 2023
 PROJECT NO
 23518

A1
 DRAWING NO