



DEPARTMENT OF REGULATORY AND ECONOMIC RESOURCES (RER)
BOARD AND CODE ADMINISTRATION DIVISION

NOTICE OF ACCEPTANCE (NOA)

MIAMI-DADE COUNTY
PRODUCT CONTROL SECTION
11805 SW 26 Street, Room 208
T (786) 315-2590 F (786) 315-2599
www.miamidade.gov/economy

AWP Windows and Doors, LLC
8130 NW 74th Avenue
Medley, FL 33166

SCOPE:

This NOA is being issued under the applicable rules and regulations governing the use of construction materials. The documentation submitted has been reviewed and accepted by Miami-Dade County RER - Product Control Section to be used in Miami Dade County and other areas where allowed by the Authority Having Jurisdiction (AHJ).

This NOA shall not be valid after the expiration date stated below. The Miami-Dade County Product Control Section (In Miami Dade County) and/or the AHJ (in areas other than Miami Dade County) reserve the right to have this product or material tested for quality assurance purposes. If this product or material fails to perform in the accepted manner, the manufacturer will incur the expense of such testing and the AHJ may immediately revoke, modify, or suspend the use of such product or material within their jurisdiction. RER reserves the right to revoke this acceptance, if it is determined by Miami-Dade County Product Control Section that this product or material fails to meet the requirements of the applicable building code.

This product is approved as described herein, and has been designed to comply with the Florida Building Code, including the High Velocity Hurricane Zone.

DESCRIPTION: Series "580" Aluminum Single Hung Window – N.I.

APPROVAL DOCUMENT: Drawing No. **W96-38**, titled "Series 580 Alum Single Hung Window (N.I.)" Sheets 1 through 5 of 5, dated 10/10/96, with revision J dated 09/22/14, prepared by Al-Farooq Corporation, signed and sealed by Javad Ahmad, P.E., bearing the Miami-Dade County Product Control Revision stamp with the Notice of Acceptance number and expiration date by the Miami-Dade County Product Control Section.

MISSILE IMPACT RATING: None.

LABELING: Each unit shall bear a permanent label with the manufacturer's name or logo, city, state, model/series, and following statement: "Miami-Dade County Product Control Approved", unless otherwise noted herein.

RENEWAL of this NOA shall be considered after a renewal application has been filed and there has been no change in the applicable building code negatively affecting the performance of this product.

TERMINATION of this NOA will occur after the expiration date or if there has been a revision or change in the materials, use, and/or manufacture of the product or process. Misuse of this NOA as an endorsement of any product, for sales, advertising or any other purposes shall automatically terminate this NOA. Failure to comply with any section of this NOA shall be cause for termination and removal of NOA.

ADVERTISEMENT: The NOA number preceded by the words Miami-Dade County, Florida, and followed by the expiration date may be displayed in advertising literature. If any portion of the NOA is displayed, then it shall be done in its entirety.

INSPECTION: A copy of this entire NOA shall be provided to the user by the manufacturer or its distributors and shall be available for inspection at the job site at the request of the Building Official.

This NOA revises NOA# 12-0906.06 and consists of this page 1 and evidence pages E-1 and E-2, as well as approval document mentioned above.

The submitted documentation was reviewed by **Manuel Perez, P.E.**



MP
9/26/14

NOA No. 14-0722.07
Expiration Date: November 14, 2017
Approval Date: October 02, 2014
Page 1

NOTICE OF ACCEPTANCE: EVIDENCE SUBMITTED

A. DRAWINGS

1. Manufacturer's die drawings and sections.
2. Drawing No. **W96-38**, titled "Series 580 Alum Single Hung Window (N.I.)" Sheets 1 through 5 of 5, dated 10/10/96, with revision J dated 09/22/14, prepared by Al-Farooq Corporation, signed and sealed by Javad Ahmad, P.E.

B. TESTS

1. Test reports on: 1) Air Infiltration Test, per FBC, TAS 202-94
2) Uniform Static Air Pressure Test, Loading per FBC TAS202-94
3) Water Resistance Test, per FBC, TAS 202-94
4) Forced Entry Test, per ASTM 588, TAS 202-94
along with marked-up drawings and installation diagram of a series 580 aluminum single hung window glazed with ½" tempered insulated glass, prepared by Fenestration Testing Laboratory, Inc., Test Report No. **FTL-7568**, dated 04/26/14, signed and sealed by Idalmis Ortega, P.E.
2. Test reports on: 1) Air Infiltration Test, per FBC, TAS 202-94
2) Uniform Static Air Pressure Test, Loading per FBC TAS202-94
3) Water Resistance Test, per FBC, TAS 202-94
4) Forced Entry Test, per ASTM 588, TAS 202-94
along with marked-up drawings and installation diagram of a series 580 eyebrow top aluminum single hung window, prepared by Fenestration Testing Laboratory, Inc., Test Report No. **FTL-5343**, dated 10/09/07, signed and sealed by Carlos S. Rionda, P.E. (*Submitted under NOA#09-0316.10*)
3. Test reports on: 1) Air Infiltration Test, per FBC, TAS 202-94
2) Uniform Static Air Pressure Test, Loading per FBC TAS 202-94
3) Water Resistance Test, per FBC, TAS 202-94
4) Forced Entry Test, per ASTM 588, TAS 202-94
along with marked-up drawings and installation diagram of a series 580 radius top aluminum single hung window, prepared by Fenestration Testing Laboratory, Inc., Test Report No. **FTL-4443**, dated 01/26/05, signed and sealed by Edmundo Largaespada, P.E. (*Submitted under NOA#09-0316.10*)
4. Test reports on: 1) Air Infiltration Test, per FBC, TAS 202-94
2) Uniform Static Air Pressure Test, Loading per FBC TAS 202-94
3) Water Resistance Test, per FBC, TAS 202-94
4) Forced Entry Test, per AAMA 1302.paragraph 5 3.1.1 to 3.1.5
along with marked-up drawings and installation diagram of a series 580 aluminum single hung window, glazed w/ 3/16" temp. glass, prepared by Fenestration Testing Laboratory, Inc., Test Report No. **FTL-3879**, dated 08/28/03, signed and sealed by Joseph Chan, P.E. (*Submitted under NOA #02-0507.06*)


Manuel Perez, P.E.
Product Control Examiner

NOA No. 14-0722.07
Expiration Date: November 14, 2017
Approval Date: October 02, 2014

AWP Windows and Doors, LLC

NOTICE OF ACCEPTANCE: EVIDENCE SUBMITTED

B. TESTS (CONTINUED)

5. Test reports on: 1) Uniform Static Air Pressure Test, Loading per FBC TAS 202-94
2) Water Resistance Test, per FBC, TAS 202-94
along with marked-up drawings and installation diagram of a Series 580 Aluminum Single Hung Window, glazed with 1/8" ann. glass, prepared by Fenestration Testing Laboratory, Inc., Test Report No. **FTL-3861**, dated 08/07/03, signed and sealed by Joseph Chan, P.E. (*Submitted under NOA #02-0507.06*)

C. CALCULATIONS

1. Anchor verification calculations and structural analysis, complying with **FBC 5th Edition (2014)**, dated 07/01/14 and revised on 09/19/14, prepared by Al-Farooq Corporation, signed and sealed by Javad Ahmad, P.E.
2. Glazing complies with **ASTM E1300-09**.

D. QUALITY ASSURANCE

1. Miami-Dade Department of Regulatory and Economic Resources (RER)

E. MATERIAL CERTIFICATIONS

1. None.

F. STATEMENTS

1. Statement letter of conformance, complying with the **FBC 5th Edition (2014)**, and of no financial interest, dated July 1, 2014, signed and sealed by Javad Ahmad, P.E.
2. Proposal No. **13-0640** issued by the Product Control Section, dated July 16, 2013 and revised on August 01, 2013, signed by Manuel Perez, P.E.
3. Asset purchase agreement dated March 20, 2014, signed by Mr. Paul Schmitz, Chief Executive Officer and President, Trulite Intermediate Holding, LLC and Mr. Tim Moris, Jr., President and C.F.O., AWP Windows and Doors, LLC.
4. Letter from owners of existing NOA stating that they have sold all assets to the applicant, that they no longer manufacture the product and relinquish their rights to the current NOA, dated June 24, 2014, signed by Mr. Kevin Barrett, Chief Financial Officer, Trulite Window & Door Solutions, LLC.

G. OTHERS

1. Notice of Acceptance No. **12-0906.06**, issued to Trulite Window & Door Solutions, LLC, for their Series "580" Aluminum Single Hung Window - N.I., approved on 12/06/12 and expiring on 11/14/17.

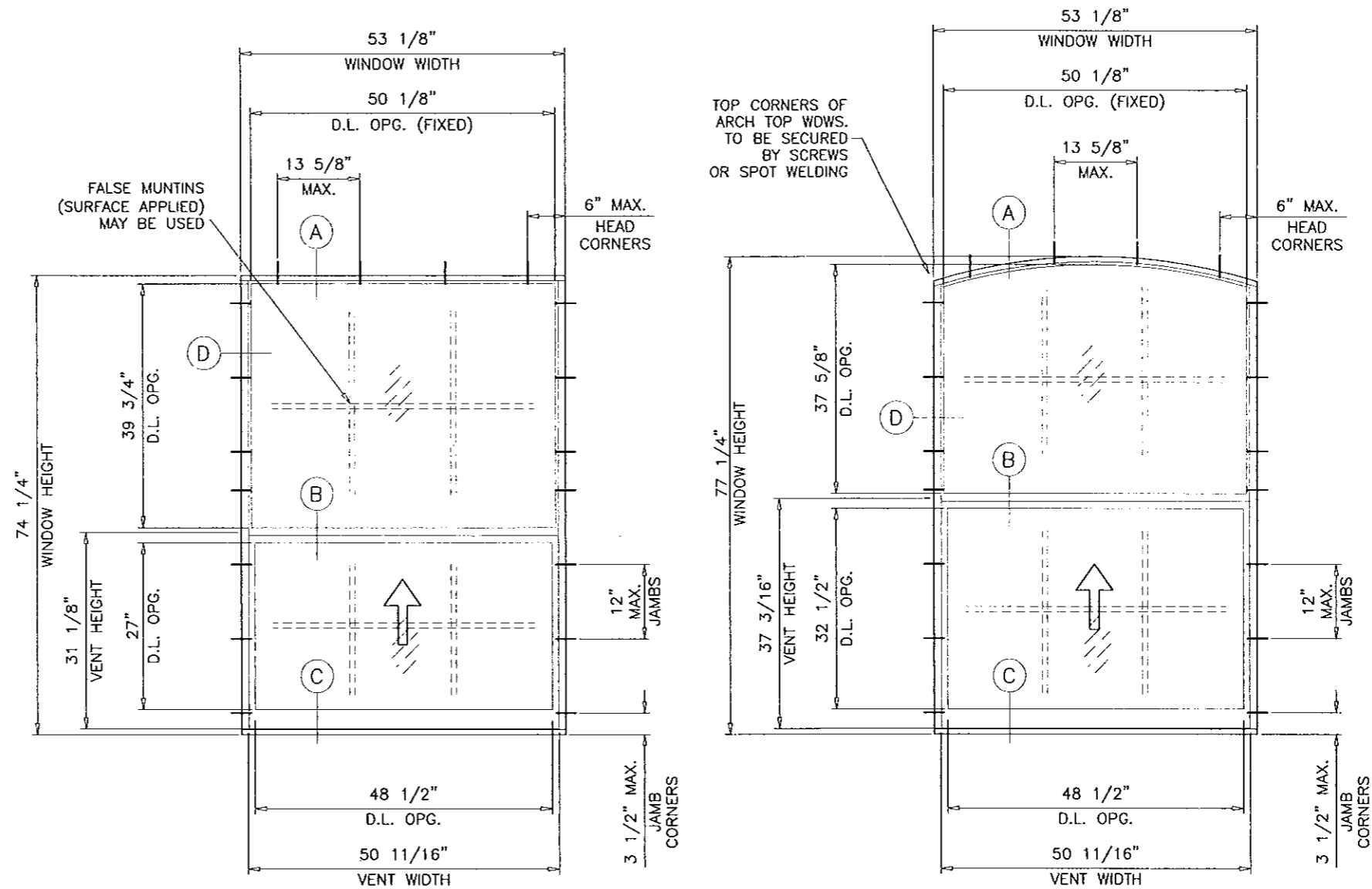


Manuel Perez, P.E.
Product Control Examiner

NOA No. 14-0722.07

Expiration Date: November 14, 2017

Approval Date: October 02, 2014



TYPICAL ELEVATION
TESTED UNITS

SERIES 580 ALUMINUM SINGLE HUNG WINDOW

DESIGN LOAD RATINGS FOR THESE WINDOWS TO BE AS PER CHARTS SHOWN ON SHEET 2.

APPROVAL APPLIES TO SINGLE UNITS OR SIDE BY SIDE COMBINATIONS OF S.H./S.H. OR S.H. WITH OTHER WINDOW TYPES IN MODULES OF TWO OR MORE WINDOWS USING MIAMI-DADE COUNTY APPROVED MULLIONS IN BETWEEN.

LOWER DESIGN PRESSURE FROM WINDOW OR MULLION APPROVAL WILL APPLY TO ENTIRE SYSTEM.

THIS PRODUCT HAS BEEN DESIGNED AND TESTED TO COMPLY WITH THE REQUIREMENTS OF THE FLORIDA BUILDING CODE INCLUDING HIGH VELOCITY HURRICANE ZONE (HVHZ).

WOOD BUCKS BY OTHERS, MUST BE ANCHORED PROPERLY TO TRANSFER LOADS TO THE STRUCTURE.

ANCHORS SHALL BE AS LISTED, SPACED AS SHOWN ON DETAILS, ANCHORS EMBEDMENT TO BASE MATERIAL SHALL BE BEYOND WALL DRESSING OR STUCCO.

ANCHORING OR LOADING CONDITIONS NOT SHOWN IN THESE DETAILS ARE NOT PART OF THIS APPROVAL.

A LOAD DURATION INCREASE IS USED IN DESIGN OF ANCHORS INTO WOOD ONLY.

ALL SHIMS TO BE HIGH IMPACT, NON-METALLIC AND NON-COMPRESSIBLE.

MATERIALS INCLUDING BUT NOT LIMITED TO STEEL/METAL SCREWS, THAT COME INTO CONTACT WITH OTHER DISSIMILAR MATERIALS SHALL MEET THE REQUIREMENTS OF THE FLORIDA BLDG. CODE.

INSTALLATION OF THIS PRODUCT IN THE HVHZ AREA REQUIRES THE USE OF APPROVED SHUTTERS OR EXTERNAL PROTECTION DEVICES COMPLYING WITH HVHZ REQUIREMENTS.
INSTALLATION OF THIS SYSTEM OUTSIDE THE HVHZ AREA SHALL MEET THE APPLICABLE REQUIREMENTS FOR WIND BORNE DEBRIS PROTECTION.

Engr: JAVAD AHMAD
CIVIL
FLA. PE # 70592
C.A.N. 8538
SEP 24 2014

MONOLITHIC GLASS
INSULATING GLASS
NON IMPACT

PRODUCT REVISED
as complying with the Florida
Building Code
Acceptance No. 14-0722-07
Expiration Date Nov 14, 2017
By *Manuel*
Miami Dade Product Control



AL-FAROOQ CORPORATION
ENGINEERS & PRODUCT DEVELOPMENT
1235 S.W. 87 AVE
MIAMI, FLORIDA 33174
TEL (305) 264-8100 FAX (305) 262-6978
COMP-AN\W96-38AWP

SERIES 580 ALUM SINGLE HUNG WINDOW (N.I.)
AWP WINDOWS AND DOORS, LLC
8130 N.W. 74TH AVE.
MEDLEY, FL. 33166
TEL. (305) 887-2646 FAX (305) 883-1309

NO	DATE	BY	DESCRIPTION
F	02.26.09		UPDATED FOR 2007 FBC
G	05.06.10		MANUF. NAME REVISED
H	12.23.11		UPDATED TO 2010 FBC. NAME REV
I	07.02.14		GENERAL REVISION
J	09.22.14		NO CHANGE THIS SHEET

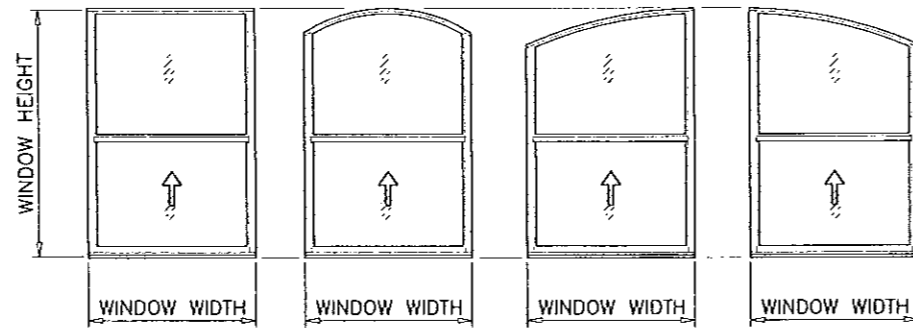
date: 10-10-96
scale: 1/2"=1'-0"
dr. by: HAMID
chk. by:

drawing no.
W96-38
sheet 1 of 5

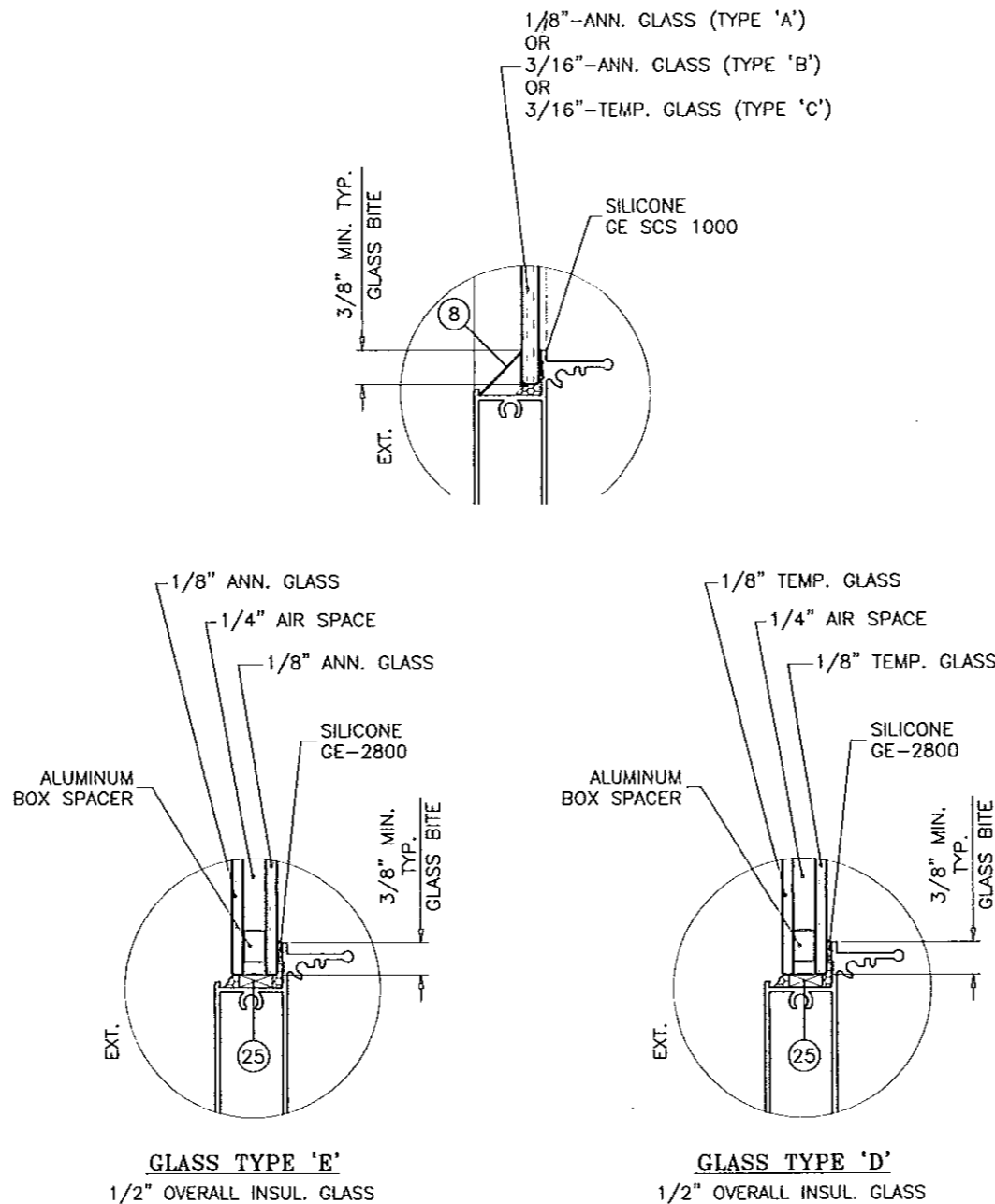
DESIGN LOAD CAPACITY - PSF								
WINDOW DIMS.		GLASS TYPE 'A'		GLASS TYPE 'B'		GLASS TYPE 'C'		
WIDTH	HEIGHT	EXT.(+)	INT.(-)	EXT.(+)	INT.(-)	EXT.(+)	INT.(-)	
19-1/8"	26"	60.0	80.0	60.0	125.0	60.0	210.0	
26-1/2"		60.0	80.0	60.0	125.0	60.0	179.7	
37"		60.0	80.0	60.0	112.9	60.0	112.9	
42"		(3)	60.0	79.3	60.0	95.9	60.0	95.9
48"		52.7	52.7	60.0	81.3	60.0	81.3	
53-1/8"		38.6	38.6	60.0	71.9	60.0	71.9	
19-1/8"	38-3/8"	60.0	80.0	60.0	125.0	60.0	210.0	
26-1/2"		60.0	80.0	60.0	125.0	60.0	163.1	
37"		60.0	75.6	60.0	116.8	60.0	116.8	
42"		(4)	56.3	56.3	60.0	102.9	60.0	102.9
48"		37.0	37.0	60.0	90.1	60.0	90.1	
53-1/8"		-	-	60.0	81.4	60.0	81.4	
19-1/8"	50-5/8"	60.0	80.0	60.0	125.0	60.0	171.3	
26-1/2"		60.0	80.0	60.0	123.7	60.0	123.7	
37"		60.0	64.6	60.0	88.6	60.0	88.6	
42"		(5)	-	-	60.0	78.0	60.0	78.0
48"		-	-	60.0	68.3	60.0	68.3	
53-1/8"		-	-	60.0	61.7	60.0	61.7	
19-1/8"	59"	60.0	80.0	60.0	125.0	60.0	183.8	
26-1/2"		60.0	80.0	60.0	125.0	60.0	132.6	
37"		47.9	47.9	60.0	95.0	60.0	95.0	
42"		(6)	-	-	60.0	83.7	60.0	83.7
48"		-	-	60.0	73.2	60.0	73.2	
53-1/8"		-	-	60.0	64.0	60.0	66.2	
19-1/8"	63"	60.0	80.0	60.0	125.0	60.0	206.5	
26-1/2"		60.0	76.7	60.0	125.0	60.0	149.0	
37"		47.0	47.0	60.0	97.5	60.0	106.7	
42"		(7)	-	-	60.0	85.1	60.0	93.1
48"		-	-	60.0	71.9	60.0	75.8	
53-1/8"		-	-	60.0	62.7	60.0	65.4	
19-1/8"	74-1/4"	60.0	74.6	60.0	125.0	60.0	175.2	
26-1/2"		60.0	64.1	60.0	113.4	60.0	126.5	
37"		(7)	-	-	60.0	82.0	60.0	90.6
42"		-	-	60.0	74.8	60.0	79.8	
48"		-	-	60.0	65.5	60.0	69.8	
53-1/8"		-	-	58.0	58.0	60.0	60.0	
19-1/8"	76"	-	-	60.0	125.0	60.0	199.7	
26-1/2"		-	-	60.0	110.2	60.0	144.1	
37"		(7)	-	-	60.0	80.3	60.0	103.2
42"		-	-	60.0	73.1	60.0	88.1	
48"		-	-	60.0	64.5	60.0	69.9	

* NO. IN PARENTHESIS INDICATE NO. OF ANCHORS PER JAMB.

NOTE:
GLASS CAPACITIES ON THIS SHEET ARE
BASED ON ASTM E1300-09 (3 SEC. GUSTS)
AND FLORIDA BUILDING COMMISSION
DECLARATORY STATEMENT DCA05-DEC-219



APPROVED CONFIGURATIONS
SHAPES SHOWN ABOVE OR SIMILAR



GLAZING OPTIONS

DESIGN LOAD CAPACITY - PSF						
WINDOW DIMS.		GLASS TYPE 'E'		GLASS TYPE 'D'		
WIDTH	HEIGHT	EXT.(+)	INT.(-)	EXT.(+)	INT.(-)	
19-1/8"	26"	56.7	210.0	60.0	210.0	
26-1/2"		56.7	201.9	60.0	201.9	
37"		56.7	144.6	60.0	144.6	
42"		(3)	56.7	127.4	60.0	127.4
48"		56.7	111.5	60.0	111.5	
53-1/8"		56.7	100.7	60.0	100.7	
19-1/8"	38-3/8"	56.7	210.0	60.0	210.0	
26-1/2"		56.7	182.4	60.0	182.4	
37"		56.7	130.6	60.0	130.6	
42"		(4)	56.7	111.9	60.0	115.1
48"		56.7	94.4	60.0	100.7	
53-1/8"		56.7	83.3	60.0	90.9	
19-1/8"	50-5/8"	56.7	210.0	60.0	210.0	
26-1/2"		56.7	165.0	60.0	172.8	
37"		56.7	112.9	60.0	123.2	
42"		(5)	56.7	93.7	60.0	102.2
48"		56.7	77.8	60.0	84.8	
53-1/8"		56.7	67.9	60.0	74.1	
19-1/8"	59"	56.7	182.2	60.0	210.0	
26-1/2"		56.7	143.8	60.0	177.9	
37"		56.7	106.0	60.0	115.6	
42"		(6)	56.7	86.6	60.0	94.4
48"		56.7	70.9	60.0	77.4	
53-1/8"		56.7	61.5	60.0	67.1	
19-1/8"	63"	56.7	163.4	60.0	210.0	
26-1/2"		56.7	134.8	60.0	166.6	
37"		56.7	102.1	60.0	113.4	
42"		(7)	56.7	84.2	60.0	91.8
48"		56.7	68.5	60.0	74.7	
53-1/8"		56.7	59.1	60.0	64.5	
19-1/8"	74-1/4"	56.7	111.1	60.0	210.0	
26-1/2"		56.7	93.3	60.0	165.0	
37"		(7)	56.7	79.3	60.0	112.3
42"		56.7	70.3	60.0	89.0	
48"		56.7	63.6	60.0	70.6	
53-1/8"		55.0	55.0	60.0	60.0	
19-1/8"	76"	56.7	107.1	60.0	210.0	
26-1/2"		56.7	88.0	60.0	161.2	
37"		(7)	56.7	76.5	60.0	112.3
42"		56.7	68.4	60.0	89.0	
48"		56.7	61.3	60.0	70.4	

* NO. IN PARENTHESIS INDICATE NO. OF ANCHORS PER JAMB.

Engr: JAVAD AHMAD
CIVIL
FLA. PE # 70592
C.A.N. 5538

SEP 24 2014

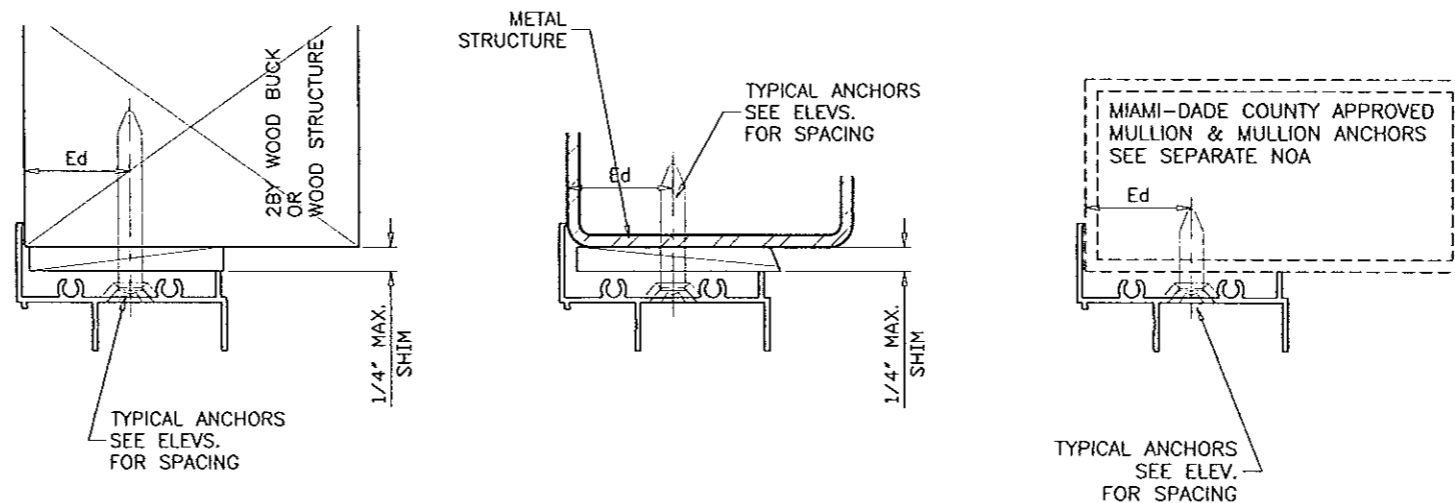
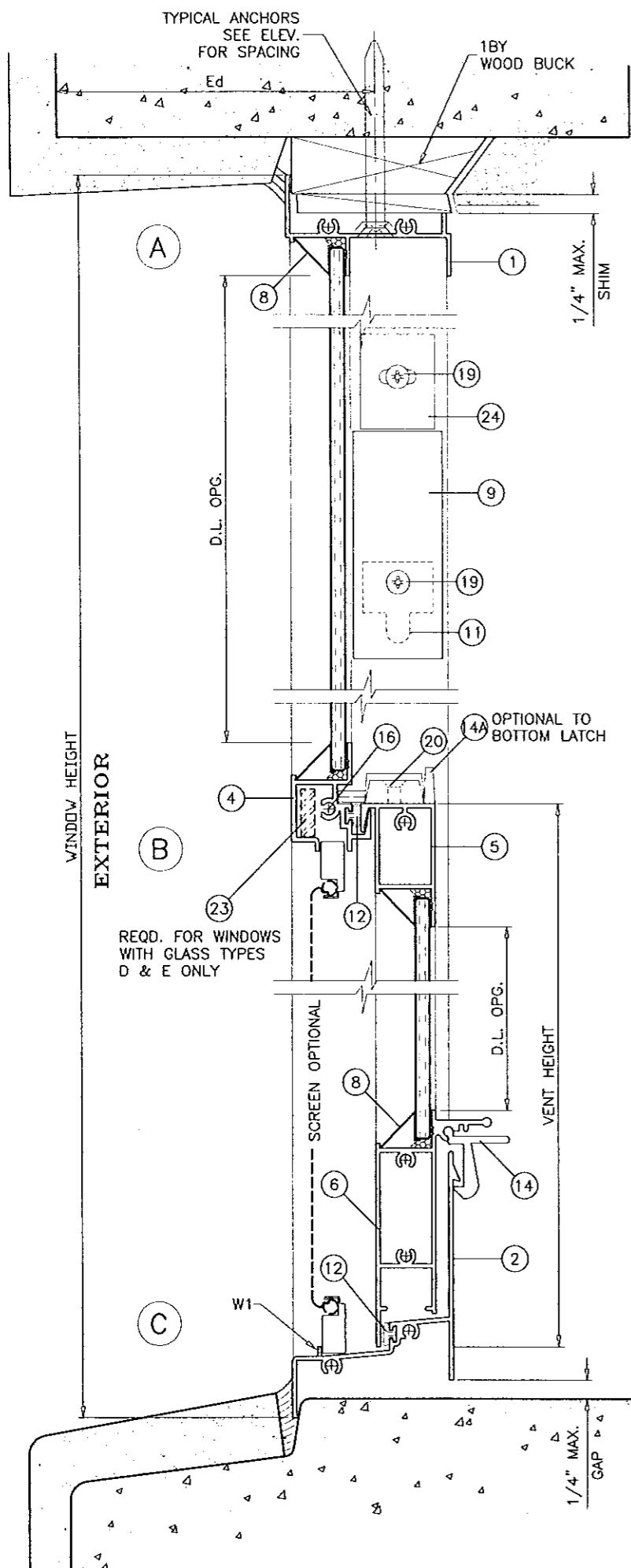
PRODUCT REVISED
as complying with the Florida
Building Code
Acceptance No 14-0722-07
Expiration Date Nov. 14, 2017
By *Manuel Perez*
Miami Dade Product Control

AL-FAROOQ CORPORATION
ENGINEERS & PRODUCT DEVELOPMENT
1235 S.W. 87 AVE
MIAMI, FLORIDA 33174
TEL. (305) 264-8100 FAX. (305) 262-6978
COMP-ANL\W96-38AWP

SERIES 580 ALUM SINGLE HUNG WINDOW (N.I.)
AWP WINDOWS AND DOORS, LLC
8130 N.W. 74TH AVE.
MEDLEY, FL. 33166
TEL. (305) 887-2646 FAX (305) 883-1309

NO.	DATE	DESCRIPTION
F	02.26.09	UPDATED FOR 2007 FBC
G	05.06.10	MANUF. NAME REVISED
H	12.23.11	MANUF. NAME REVISED
I	07.02.14	GENERAL REVISION
J	09.22.14	REV. PER RER COMMENTS

date: 10-10-96
scale: 1/2" = 1"
dr. by: HAMID
chk. by:
drawing no. W96-38
sheet 2 of 5



WOOD BUCKS AND METAL STRUCTURE NOT BY AWP WINDOWS MUST SUSTAIN LOADS IMPOSED BY GLAZING SYSTEM AND TRANSFER THEM TO THE BUILDING STRUCTURE.

TYPICAL ANCHORS: SEE ELEV. FOR SPACING
1/4" DIA. TAPCON BY 'ITW' (Fu=125 KSI, Fy=100 KSI)
1/4" DIA. ULTRACON BY 'ELCO' (Fu=177 KSI, Fy=155 KSI)
 INTO 2BY WOOD BUCKS OR WOOD STRUCTURES
 1-1/2" MIN. PENETRATION INTO WOOD
 THRU 1BY BUCKS INTO CONC. OR MASONRY
 1-1/4" MIN. EMBED INTO CONC. OR MASONRY
 DIRECTLY INTO CONC. OR MASONRY
 1-1/4" MIN. EMBED INTO CONC. OR MASONRY
#12 TEKS OR SELF DRILLING SCREWS (GRADE 5 CRS)
 INTO MIAMI-DADE COUNTY APPROVED MULLIONS (MIN. THK. = .090")
 INTO METAL STRUCTURES
 STEEL : 12 GA. MIN. (Fy = 36 KSI MIN.)
 ALUMINUM : 1/8" THK. MIN. (6063-T5 MIN.)
 (STEEL IN CONTACT WITH ALUMINUM TO BE PLATED OR PAINTED)
Ed = ANCHOR EDGE DISTANCE
 INTO CONCRETE AND MASONRY = 2" MIN.
 INTO WOOD STRUCTURE = 1" MIN.
 INTO METAL STRUCTURE = 1/2" MIN.
 CONCRETE AT HEAD, SILL OR JAMBS f'c = 3000 PSI MIN.
 C-90 HOLLOW/FILLED BLOCK AT JAMBS f'm = 2000 PSI MIN.

SEALANT:
 ALL LOWER FRAME AND VENT CORNERS, AND HEADS OF INSTALLATION SCREWS AT SILL TO BE SEALED WITH ALUMINUM COLORED SEALANT, SCHNEE MOREHEAD 5504 OR EQUIV.

PADS:
 ONE 1/4" X 3/4" ADHESIVE CLOSED CELL FOAM PAD AT EACH END OF FIXED MTG. RAIL.

WEEPHOLES:
 W1 = 3/4" WEEP NOTCH AT EACH END

Engr: JAVAID AHMAD
 CIVIL
 FLA. PE # 70592
 C.A.N. 3338
 SEP 24 2014

PRODUCT REVISED
 as complying with the Florida
 Building Code
 Acceptance No. 14-0722-07
 Expiration Date Nov. 14, 2017
 By *Manuel Jara*
 Miami Dade Product Control

afC
AL-FAROOQ CORPORATION
 ENGINEERS & PRODUCT DEVELOPMENT
 1235 S.W. 87 AVE
 MIAMI, FLORIDA 33174
 TEL (305) 264-8100 FAX (305) 262-6978
 COMP-ANL\W96-38AWP

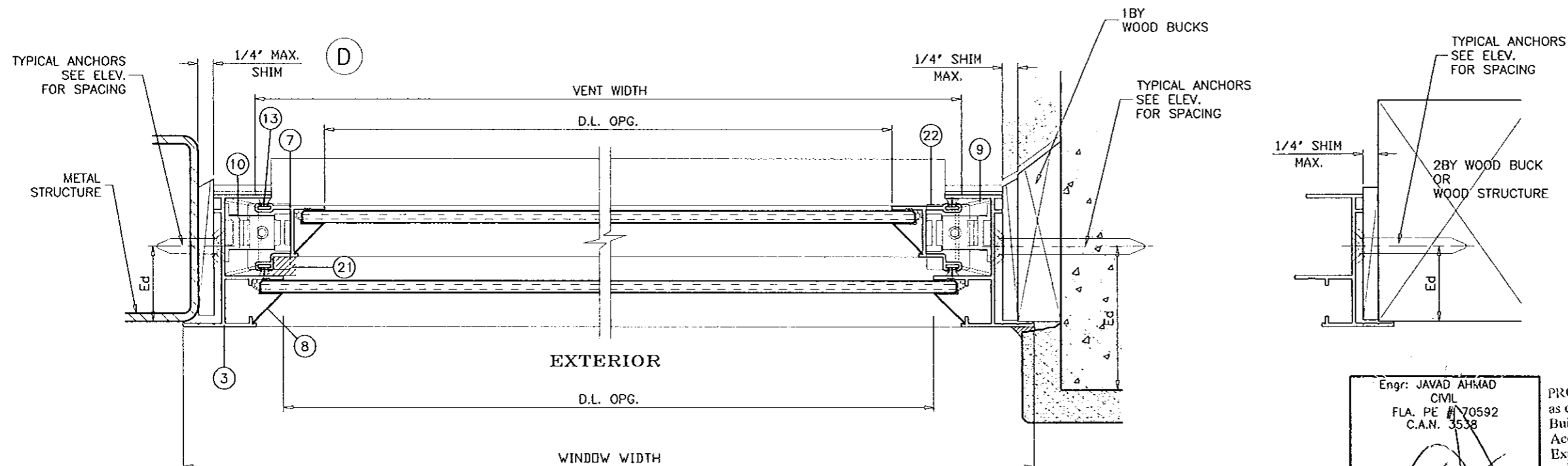
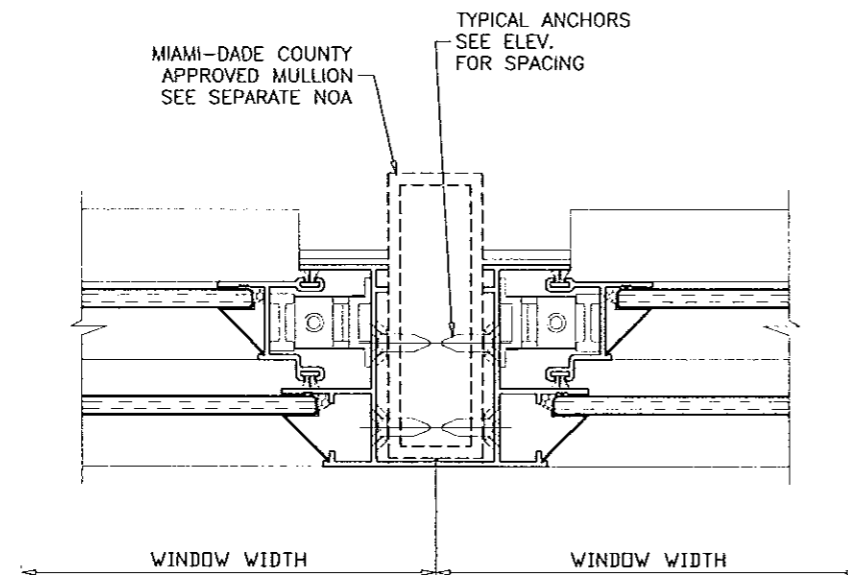
SERIES 580 ALUM SINGLE HUNG WINDOW (N.I.)
AWP WINDOWS AND DOORS, LLC
 8130 N.W. 74TH AVE.
 MEDLEY, FL. 33166
 TEL. (305) 887-2646 FAX (305) 883-1309

no	date	by	description
F	02.26.09		UPDATED FOR 2007 FBC
G	05.06.10		MANUF. NAME REVISED
H	12.23.11		MANUF. NAME REVISED
I	07.02.14		GENERAL REVISION
J	09.22.14		REV. PER RER COMMENTS

date: 10-10-96
 scale: 1/2" = 1"
 dr. by: HAMID
 chk. by:

drawing no.
W96-38
 sheet 3 of 5

ITEM #	PART #	REQD.	DESCRIPTION	MATERIAL	MANF./SUPPLIER/REMARKS
1	YE-169	1	FRAME HEAD	6063-T6	-
2	YE-167	1	FRAME SILL	6063-T6	-
3	YE-102	2	FRAME JAMB	6063-T6	-
4	YE-152	1	FIXED RAIL	6063-T6	-
5	YE-151	1	VENT TOP RAIL	6063-T6	-
6	YE-168	1	VENT BOTTOM RAIL	6063-T6	-
7	YE-92	2	VENT JAMB	6063-T6	-
8	-	AS REQD.	GLAZING BEAD	ALUMINUM	ROLL FORMED
9	YH-528	2/ VENT	SASH STOP, 3" LONG	RIGID VINYL	-
10	-	2/ VENT	BLOCK & TACKLE BALANCE	-	-
11	YH-505	2/ VENT	BALANCE CLIP	ALUMINUM	-
12	YH-622	AS REQD.	BULB W'STRIPPING	VINYL	SINGLE ROW
13	YH-4004	AS REQD.	FIN SEAL W'STRIPPING .187 X .250	WOOL	ULTRAFAB
14	YH-504	2/ VENT	SPRING LOADED VENT LATCHES	NYLON/CELCON	AT 13" FROM ENDS
14A	YH-515	2/ VENT	SWEEP LOCKS	ZAMAK	AT 11" FROM ENDS
15	YF-1	8	FRAME ASSEMBLY SCREWS (#10 X 3/4")	CRS	PLATED, PH SMS
16	YF-10	2/ VENT	FIXED RAIL SCREWS (#8 X 1")	CRS	CAD PLATED, PH SMS
17	YF-12	6/ VENT	VENT ASSEMBLY SCREWS (#8 X 1-1/4")	CRS	CAD PLATED, PH SMS
19	YF-6	1/ CLIP	#10 X 1/4" PH SMS POINT B	-	-
20	YF-14	2/ LOCK	SWEEP LOCK SCREWS (#8 X 5/8")	-	OH SMS
21	YC-15SP	2/ VENT	SELF ADHESIVE PAD (.375" X .31" X .75")	FOAM	-
22	YH-519	2/ VENT	BALANCE CAM	PLASTIC	-
23	YH-590	1	REINFORCING BAR (REQD. FOR INSUL. GLASS ONLY)	STEEL	HRB93
24	-	2/ VENT	SASH STOP (1" X 1-1/4" X 1/16")	ALUMINUM	ON 74-1/4" HIGH ONLY
25	-	2/ LITE	SETTING BLOCK	EPDM	DUROMETER 80±5 SHORE A



Engr: JAVAD AHMAD
 CIVIL
 FLA. PE # 70592
 C.A.M. 3538

SEP 24 2014

PRODUCT REVISED
 as complying with the Florida
 Building Code
 Acceptance No. 14-0722.07
 Expiration Date Nov. 14, 2017

By *Manuel Perez*
 Miami Dade Product Control

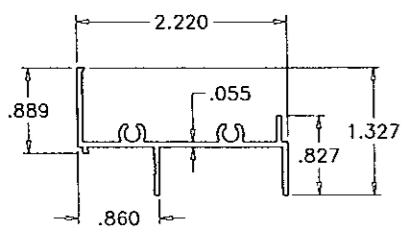
afC
AL-FAROOQ CORPORATION
 ENGINEERS & PRODUCT DEVELOPMENT
 1235 S.W. 87 AVE
 MIAMI, FLORIDA 33174
 TEL. (305) 264-8100 FAX. (305) 262-6978
 COMP-ANL\W96-38AWP

SERIES 580 ALUM SINGLE HUNG WINDOW (N.I.)
AWP WINDOWS AND DOORS, LLC
 8130 N.W. 74TH AVE.
 MEDLEY, FL. 33166
 TEL. (305) 887-2646 FAX (305) 883-1309

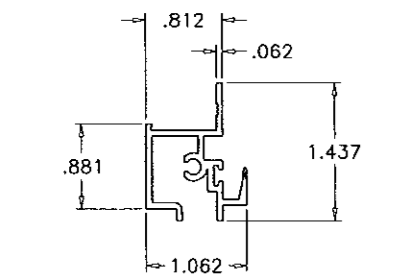
NO.	DATE	BY	DESCRIPTION
F	02.26.09		UPDATED FOR 2007 FBC
G	05.06.10		MANUF. NAME REVISED
H	12.23.11		MANUF. NAME REVISED
I	07.02.14		GENERAL REVISION
J	09.22.14		NO CHANGE THIS SHEET

date: 10-10-96
 scale: 1/2" = 1"
 dr. by: HAMID
 chk. by:

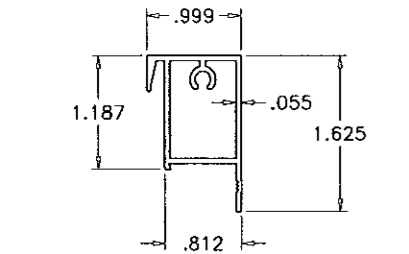
drawing no.
W96-38
 sheet 4 of 5



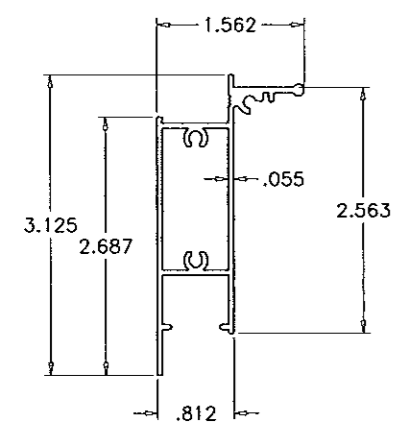
FRAME HEAD



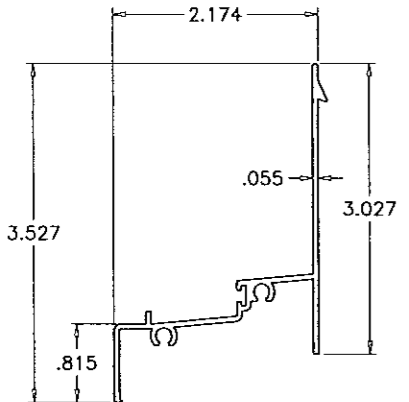
FIXED RAIL



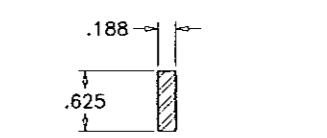
VENT TOP RAIL



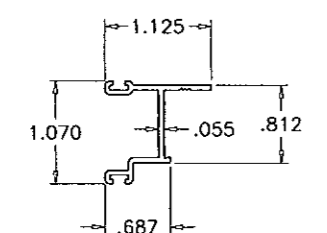
VENT BOTTOM RAIL



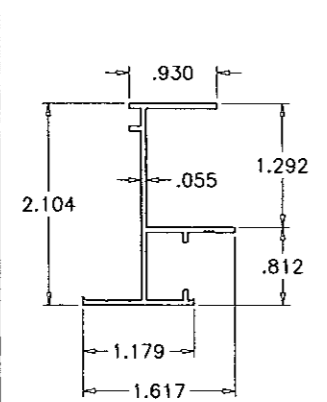
FRAME SILL



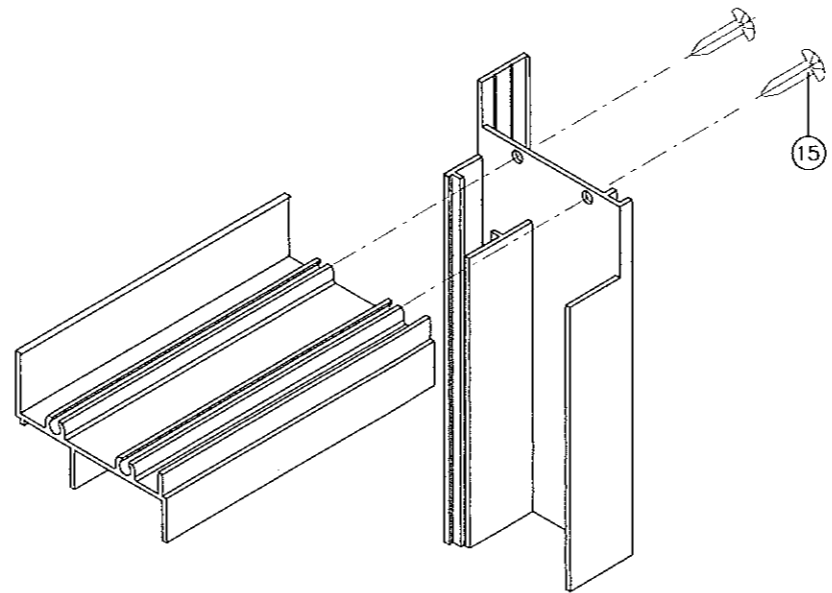
FIX. RAIL REINF.



VENT SIDE RAIL

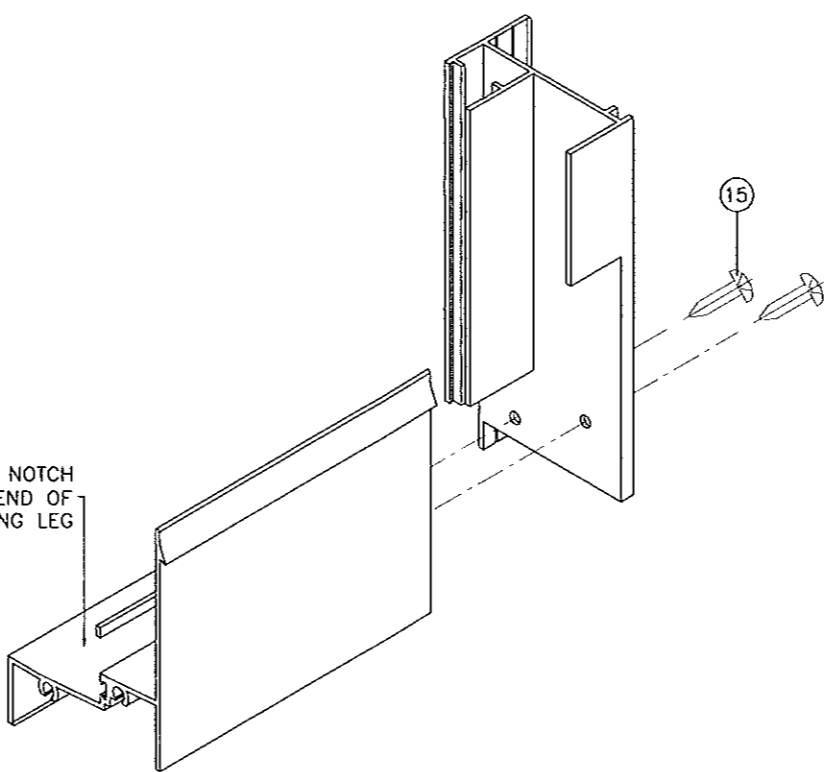


FRAME JAMB



S.H. FRAME CORNER DETAIL

3/4" WEEP NOTCH
AT EACH END OF
SCREEN RETAINING LEG



S.H. VENT CORNER DETAIL

Engr: JAVAD AHMAD
CIVIL
FLA. PE # 70592
C.A.N. 3538

SEP 24 2014

PRODUCT REVISED
complying with the Florida
Building Code
Acceptance No. 140722.07
Expiration Date Nov 14, 2017

By *Manuel Perez*
Miami Dade Product Control

af c
AL-FAROOQ CORPORATION
ENGINEERS & PRODUCT DEVELOPMENT
1235 S.W. 87 AVE
MIAMI, FLORIDA 33174
TEL (305) 264-8100 FAX (305) 262-6978
COMP-ANL W96-38AWP

SERIES 580 ALUM SINGLE HUNG WINDOW (N.I.)
AWP WINDOWS AND DOORS, LLC
8130 N.W. 74TH AVE.
MEDLEY, FL. 33166
TEL. (305) 887-2646 FAX (305) 883-1309

NO	DATE	BY	DESCRIPTION
F	02.26.09		UPDATED FOR 2007 FBC
G	05.06.10		MANUF. NAME REVISED
H	12.23.11		MANUF. NAME REVISED
I	07.02.14		GENERAL REVISION
J	09.22.14		NO CHANGE THIS SHEET

date: 10-10-96
scale: 1/2" = 1"
dr. by: HAMID
chk. by:

drawing no.
W96-38
sheet 5 of 5