



DEPARTMENT OF REGULATORY AND ECONOMIC RESOURCES (RER)
BOARD AND CODE ADMINISTRATION DIVISION

NOTICE OF ACCEPTANCE (NOA)

MIAMI-DADE COUNTY
PRODUCT CONTROL SECTION
11805 SW 26 Street, Room 208
T (786) 315-2590 F (786) 315-2599
www.miamidade.gov/economy

AWP Windows and Doors, LLC
8130 NW 74th Avenue
Medley, FL 33166

SCOPE:

This NOA is being issued under the applicable rules and regulations governing the use of construction materials. The documentation submitted has been reviewed and accepted by Miami-Dade County RER - Product Control Section to be used in Miami Dade County and other areas where allowed by the Authority Having Jurisdiction (AHJ).

This NOA shall not be valid after the expiration date stated below. The Miami-Dade County Product Control Section (In Miami Dade County) and/or the AHJ (in areas other than Miami Dade County) reserve the right to have this product or material tested for quality assurance purposes. If this product or material fails to perform in the accepted manner, the manufacturer will incur the expense of such testing and the AHJ may immediately revoke, modify, or suspend the use of such product or material within their jurisdiction. RER reserves the right to revoke this acceptance, if it is determined by Miami-Dade County Product Control Section that this product or material fails to meet the requirements of the applicable building code.

This product is approved as described herein, and has been designed to comply with the Florida Building Code, including the High Velocity Hurricane Zone.

DESCRIPTION: Series "10200" White PVC Fixed Window – L.M.I.

APPROVAL DOCUMENT: Drawing No. W09-47, titled "Series 10200 PVC Fixed Window (L.M.I./S.M.I.)" Sheets 1 through 7 of 7, dated 09/10/09 with revision D dated 01/21/15, prepared by Al-Farooq Corporation, signed and sealed by Javad Ahmad, P.E., bearing the Miami-Dade County Product Control Revision stamp with the Notice of Acceptance number and expiration date by the Miami-Dade County Product Control Section.

MISSILE IMPACT RATING: Large and Small Missile Impact Resistant.

LABELING: Each unit shall bear a permanent label with the manufacturer's name or logo, city, state, model/series, and following statement: "Miami-Dade County Product Control Approved", unless otherwise noted herein.

RENEWAL of this NOA shall be considered after a renewal application has been filed and there has been no change in the applicable building code negatively affecting the performance of this product.

TERMINATION of this NOA will occur after the expiration date or if there has been a revision or change in the materials, use, and/or manufacture of the product or process. Misuse of this NOA as an endorsement of any product, for sales, advertising or any other purposes shall automatically terminate this NOA. Failure to comply with any section of this NOA shall be cause for termination and removal of NOA.

ADVERTISEMENT: The NOA number preceded by the words Miami-Dade County, Florida, and followed by the expiration date may be displayed in advertising literature. If any portion of the NOA is displayed, then it shall be done in its entirety.

INSPECTION: A copy of this entire NOA shall be provided to the user by the manufacturer or its distributors and shall be available for inspection at the job site at the request of the Building Official.

This NOA revises and renews NOA# 12-0118.12 and consists of this page 1 and evidence pages E-1 and E-2, as well as approval document mentioned above.

The submitted documentation was reviewed by Manuel Perez, P.E.



Handwritten signature and date: 1/23/15

NOA No. 14-0909.18
Expiration Date: January 06, 2020
Approval Date: January 29, 2015
Page 1

NOTICE OF ACCEPTANCE: EVIDENCE SUBMITTED

A. DRAWINGS

1. Manufacturer's die drawings and sections.
2. Drawing No. **W09-47**, titled "Series 10200 PVC Fixed Window (L.M.I./S.M.I.)" Sheets 1 through 7 of 7, dated 09/10/09 with revision D dated 01/21/15, prepared by Al-Farooq Corporation, signed and sealed by Javad Ahmad, P.E.

B. TESTS

1. Test reports on:
 - 1) Air Infiltration Test, per FBC, TAS 202-94
 - 2) Uniform Static Air Pressure Test, Loading per FBC, TAS 202-94
 - 3) Water Resistance Test, per FBC, TAS 202-94
 - 4) Large Missile Impact Test per FBC, TAS 201-94
 - 5) Cyclic Wind Pressure Loading per FBC, TAS 203-94
 - 6) Forced Entry Test, per FBC 2411.3.2.1, and TAS 202-94along with marked-up drawings and installation diagram of a series 10200 PVC fixed windows, prepared by Fenestration Testing Laboratory, Inc., Test Report No. **FTL-5907**, dated 06/04/09, signed and sealed by Julio E. Gonzalez, P. E.
(Submitted under NOA No. 09-1006.11)

C. CALCULATIONS

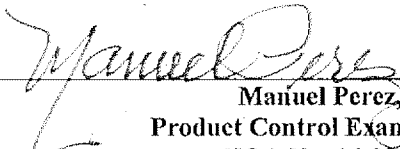
1. Anchor verification calculations and structural analysis, complying with **FBC 5th Edition (2014)**, dated 06/30/14, prepared by Al-Farooq Corporation, signed and sealed by Javad Ahmad, P.E.
2. Glazing complies with **ASTM E1300-09**.

D. QUALITY ASSURANCE

1. Miami-Dade Department of Regulatory and Economic Resources (RER)

E. MATERIAL CERTIFICATIONS

1. Notice of Acceptance No. **14-0423.15** issued to **Eastman Chemical Company (MA)** for their "**Saflex CP – Saflex and Saflex HP Composite Glass Interlayers with PET Core**" dated 06/19/14, expiring on 12/11/18.
2. Notice of Acceptance No. **12-0106.01** issued to Veka, Inc. for "**White Rigid PVC Exterior Extrusions for Windows and Doors**" dated 08/09/12, expiring on 03/04/17.
3. TruSeal Technologies, Inc. for their DuraSeal Air Spacer complying with ASTM F 1249, 0.09 g H₂O/m²; ASTM E 2189 passes; ASTM D 1434, 6-8c.c./ 100 in²; ASTM E 546, -20°F; TST 389C, 50 psi.


Manuel Perez, P.E.
Product Control Examiner
NOA No. 14-0909.18

Expiration Date: January 06, 2020
Approval Date: January 29, 2015

NOTICE OF ACCEPTANCE: EVIDENCE SUBMITTED

F. STATEMENTS

1. Statement letter of conformance, complying with the **FBC 5th Edition (2014)**, and of no financial interest, dated June 30, 2014, signed and sealed by Javad Ahmad, P.E.
2. Asset purchase agreement dated March 20, 2014, signed by Mr. Paul Schmitz, Chief Executive Officer and President, Trulite Intermediate Holding, LLC and Mr. Tim Morris, Jr., President and C.F.O., AWP Windows and Doors, LLC.
3. Letter from owners of existing NOA stating that they have sold all assets to the applicant, that they no longer manufacture the product and relinquish their rights to the current NOA, dated June 24, 2014, signed by Mr. Kevin Barrett, Chief Financial Officer, Trulite Window & Door Solutions, LLC.

G. OTHERS

1. Notice of Acceptance No. **12-0118.12**, issued to Trulite Window & Door Solutions, LLC, for their Series "10200" White PVC Fixed Window – L.M.I., approved on 02/23/12 and expiring on 01/06/15.


Manuel Perez, P.E.

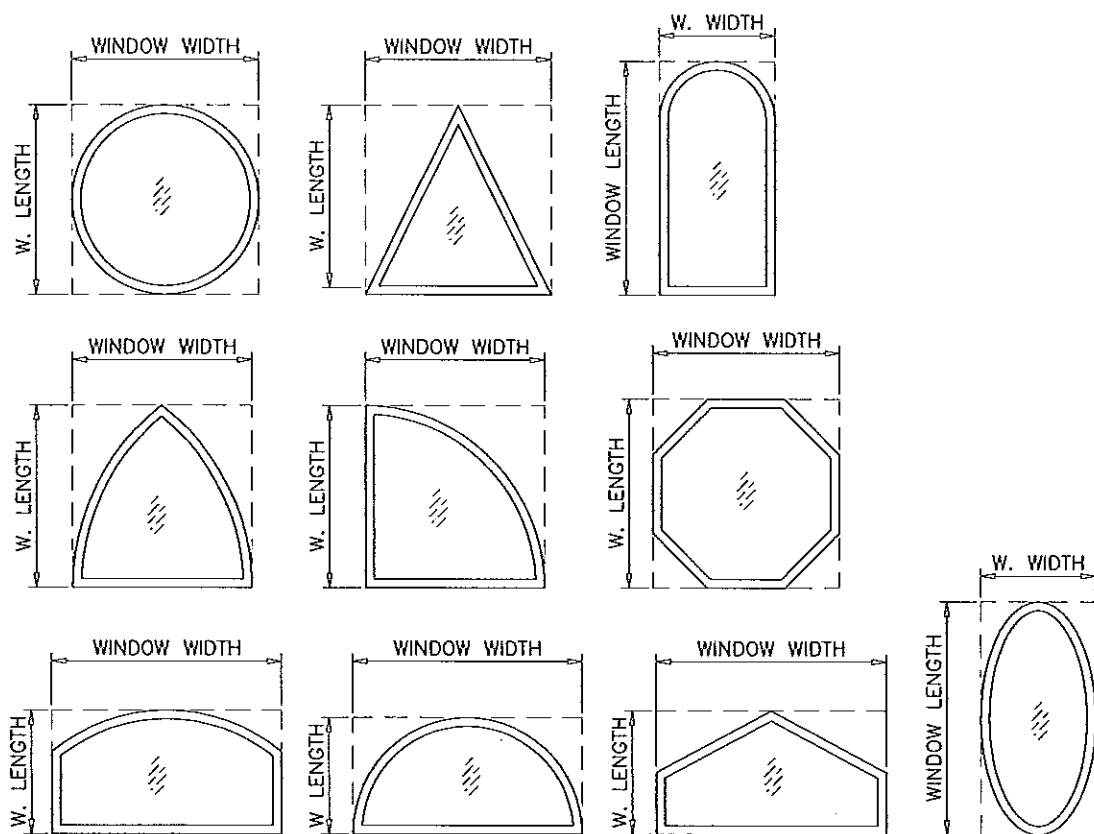
Product Control Examiner
NOA No. 14-0909.18

Expiration Date: January 06, 2020

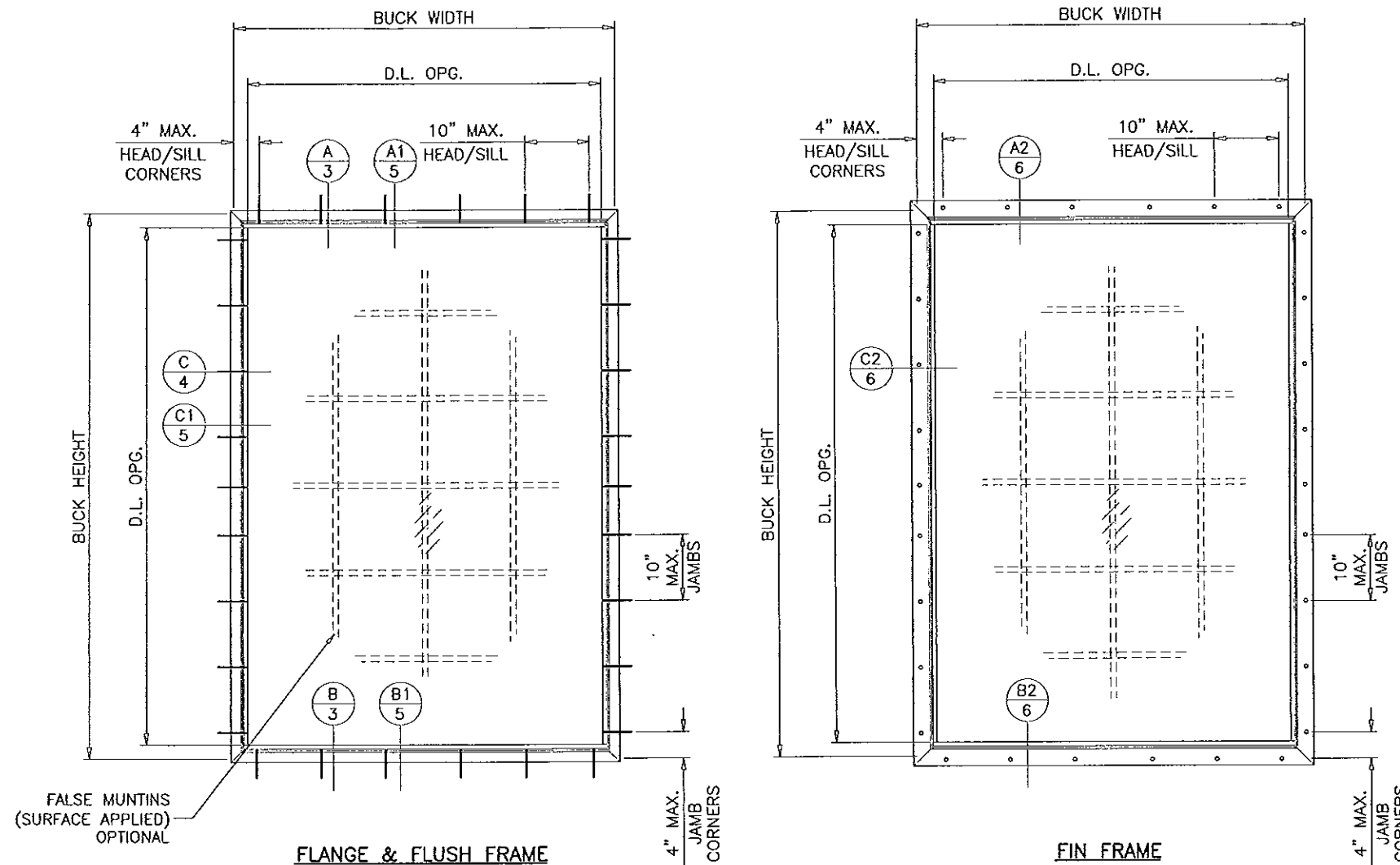
Approval Date: January 29, 2015

DAYLITE OPENINGS:
 D.L.O. HEIGHT = BUCK HEIGHT - 4.280"
 D.L.O. WIDTH = BUCK WIDTH - 4.280"

THESE WINDOWS ARE RATED FOR LARGE & SMALL MISSILE IMPACT.
 SHUTTERS ARE NOT REQUIRED.



ALLOWABLE LOADS FOR ALTERNATE SHAPES AS SHOWN ABOVE OR SIMILAR CAN BE VERIFIED BY INSCRIBING PICTURE WINDOW SHAPE WITHIN SQUARE OR RECTANGLE AS SHOWN IN DOTTED LINES AND OBTAINING ALLOWABLE LOADS FROM THOSE SHAPES.



TYPICAL ELEVATION

SERIES 10200 PVC FIXED WINDOW

DESIGN LOAD RATINGS FOR THESE WINDOWS TO BE AS PER CHARTS SHOWN ON SHEET 2.

APPROVAL APPLIES TO SINGLE UNITS OR SIDE BY SIDE COMBINATIONS OF FIX./FIX. OR FIX. WDW. WITH OTHER MIAMI-DADE COUNTY APPROVED WINDOWS USING MIAMI-DADE COUNTY APPROVED MULLIONS IN BETWEEN.
 LOWER DESIGN PRESSURE FROM WINDOWS OR MULLION APPROVAL WILL APPLY TO ENTIRE SYSTEM.

THIS PRODUCT HAS BEEN DESIGNED AND TESTED TO COMPLY WITH THE REQUIREMENTS OF THE FLORIDA BUILDING CODE INCLUDING HIGH VELOCITY HURRICANE ZONE (HVHZ).

WOOD BUCKS BY OTHERS, MUST BE ANCHORED PROPERLY TO TRANSFER LOADS TO THE STRUCTURE.

ANCHORS SHALL BE AS LISTED, SPACED AS SHOWN ON DETAILS, ANCHORS EMBEDMENT TO BASE MATERIAL SHALL BE BEYOND WALL DRESSING OR STUCCO.

ANCHORING OR LOADING CONDITIONS NOT SHOWN IN THESE DETAILS ARE NOT PART OF THIS APPROVAL.

A LOAD DURATION INCREASE IS USED IN DESIGN OF ANCHORS INTO WOOD ONLY.

MATERIALS INCLUDING BUT NOT LIMITED TO STEEL/METAL SCREWS, THAT COME INTO CONTACT WITH OTHER DISSIMILAR MATERIALS SHALL MEET THE REQUIREMENTS OF THE FLORIDA BLDG. CODE.

INSULATING LAM. GLASS
 LARGE & SMALL MISSILE IMPACT

Engr: JAVAD AHMAD
 CML
 FLA. PE # 70592
 C.A.N. 3538
 JAN 22 2015

PRODUCT REVISED
 as complying with the Florida
 Building Code
 Acceptance No. 14-0909.18
 Expiration Date Jan 16, 2020
 By Manuel Perez
 Miami Dade Product Control

af c
AL-FAROOQ CORPORATION
 ENGINEERS & PRODUCT DEVELOPMENT
 1235 S.W. 87 AVE
 MIAMI, FLORIDA 33174
 TEL. (305) 264-8100 FAX. (305) 262-6978

SERIES 10200 PVC FIXED WINDOW (L.M.I./S.M.I.)
AWP WINDOWS AND DOORS, LLC
 8130 N.W. 74TH AVE.
 MEDLEY, FL. 33166
 TEL. (305) 887-2646 FAX (305) 883-1309

no	date	by	description
A	05.06.10		MANUF. NAME REVISED
B	12.23.11		UPDATED TO 2010 FBC, NAME REV
C	06.30.14		UPDATED TO 2014 FBC
D	01.21.15		REV. PER PER COMMENTS

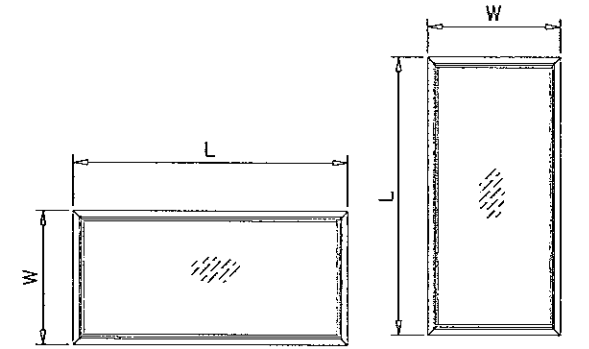
date: 09-10-09
 scale: 1/2" = 1'-0"
 dr. by: HAMID
 chk. by:

drawing no.
W09-47
 sheet 1 of 7

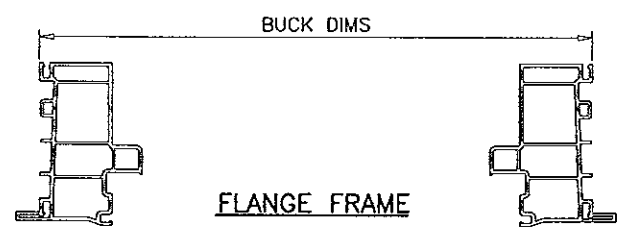
COMP-ANL\W09-47AWP

DESIGN LOAD CAPACITY - PSF						
BUCK DIMS.		GLASS TYPES 'A' & 'A1'		GLASS TYPES 'B' & 'B1'		
WIDTH (W)	LENGTH (L)	EXT.(+)	INT.(-)	EXT.(+)	INT.(-)	
23"	35"	65.0	65.0	65.0	65.0	
29"		65.0	65.0	65.0	65.0	
35"		65.0	65.0	65.0	65.0	
41"		65.0	65.0	65.0	65.0	
47"		65.0	65.0	65.0	65.0	
53"		65.0	65.0	65.0	65.0	
59"		65.0	65.0	65.0	65.0	
65"		61.5	61.5	65.0	65.0	
71"		54.8	54.8	65.0	65.0	
23"		47"	65.0	65.0	65.0	65.0
29"	65.0		65.0	65.0	65.0	
35"	65.0		65.0	65.0	65.0	
41"	65.0		65.0	65.0	65.0	
47"	65.0		65.0	65.0	65.0	
53"	63.9		63.9	65.0	65.0	
59"	59.4		59.4	65.0	65.0	
65"	52.5		52.5	65.0	65.0	
71"	46.9		46.9	65.0	65.0	
23"	59"		65.0	65.0	65.0	65.0
29"		65.0	65.0	65.0	65.0	
35"		65.0	65.0	65.0	65.0	
41"		62.0	62.0	65.0	65.0	
47"		59.4	59.4	65.0	65.0	
53"		55.1	55.1	65.0	65.0	
59"		50.4	50.4	65.0	65.0	
65"		46.6	46.6	65.0	65.0	
71"		43.5	43.5	65.0	65.0	
23"		71"	65.0	65.0	65.0	65.0
29"	65.0		65.0	65.0	65.0	
35"	54.8		54.8	65.0	65.0	
41"	48.1		48.1	65.0	65.0	
47"	46.9		46.9	65.0	65.0	
53"	45.6		45.6	65.0	65.0	
59"	43.5		43.5	65.0	65.0	
23"	83"		65.0	65.0	65.0	65.0
29"			57.4	57.4	65.0	65.0
35"			43.9	43.9	65.0	65.0
41"		40.8	40.8	65.0	65.0	
47"		39.1	39.1	65.0	65.0	
53"		38.5	38.5	63.4	63.4	
23"		95"	65.0	65.0	65.0	65.0
29"			51.4	51.4	65.0	65.0
35"			38.6	38.6	65.0	65.0
41"			34.4	34.4	65.0	65.0
47"	33.9		33.9	64.6	64.6	
23"	107"		65.0	65.0	65.0	65.0
29"			48.1	48.1	65.0	65.0
35"			35.6	35.6	65.0	65.0
41"			31.2	31.2	65.0	65.0
23"			119"	55.4	55.4	65.0
29"		48.2		48.2	65.0	65.0
35"		33.8		33.8	65.0	65.0

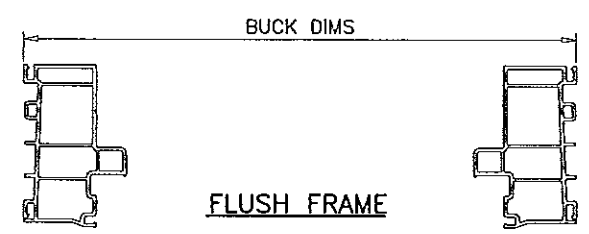
DESIGN LOAD CAPACITY - PSF					
BUCK DIMS.		GLASS TYPES 'A' & 'A1'		GLASS TYPES 'B' & 'B1'	
WIDTH (W)	LENGTH (L)	EXT.(+)	INT.(-)	EXT.(+)	INT.(-)
18-1/8"	25"	65.0	65.0	65.0	65.0
25-1/2"		65.0	65.0	65.0	65.0
36"		65.0	65.0	65.0	65.0
47"		65.0	65.0	65.0	65.0
52-1/8"		65.0	65.0	65.0	65.0
18-1/8"	37-3/8"	65.0	65.0	65.0	65.0
25-1/2"		65.0	65.0	65.0	65.0
36"		65.0	65.0	65.0	65.0
47"		65.0	65.0	65.0	65.0
52-1/8"		65.0	65.0	65.0	65.0
18-1/8"	49-5/8"	65.0	65.0	65.0	65.0
25-1/2"		65.0	65.0	65.0	65.0
36"		65.0	65.0	65.0	65.0
47"		65.0	65.0	65.0	65.0
52-1/8"		65.0	65.0	65.0	65.0
18-1/8"	62"	65.0	65.0	65.0	65.0
25-1/2"		65.0	65.0	65.0	65.0
36"		63.4	63.4	65.0	65.0
47"		55.8	55.8	65.0	65.0
52-1/8"		53.0	53.0	65.0	65.0
18-1/8"	75"	65.0	65.0	65.0	65.0
25-1/2"		65.0	65.0	65.0	65.0
36"		47.5	47.5	65.0	65.0
47"		44.4	44.4	65.0	65.0
52-1/8"		43.0	43.0	65.0	65.0



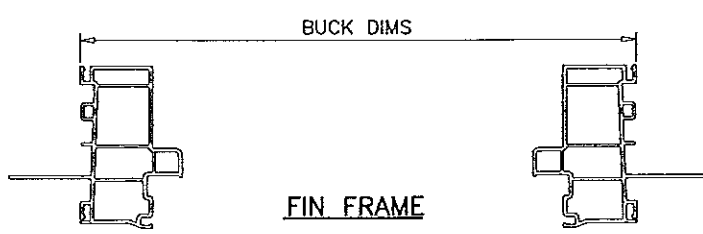
NOTE:
WIDTH AND LENGTH DIMENSIONS CAN BE ORIENTED
VERTICALLY OR HORIZONTALLY AS SHOWN ABOVE.



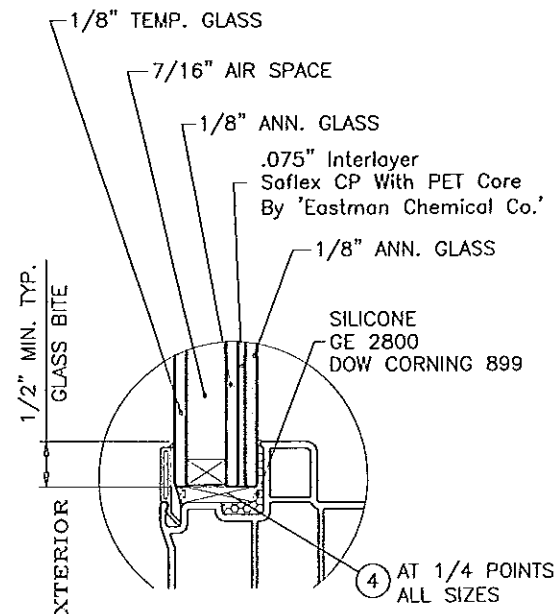
FLANGE FRAME



FLUSH FRAME

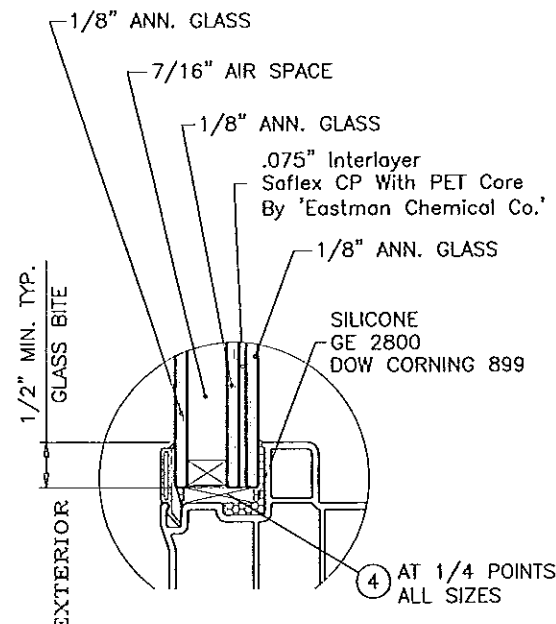


FIN FRAME



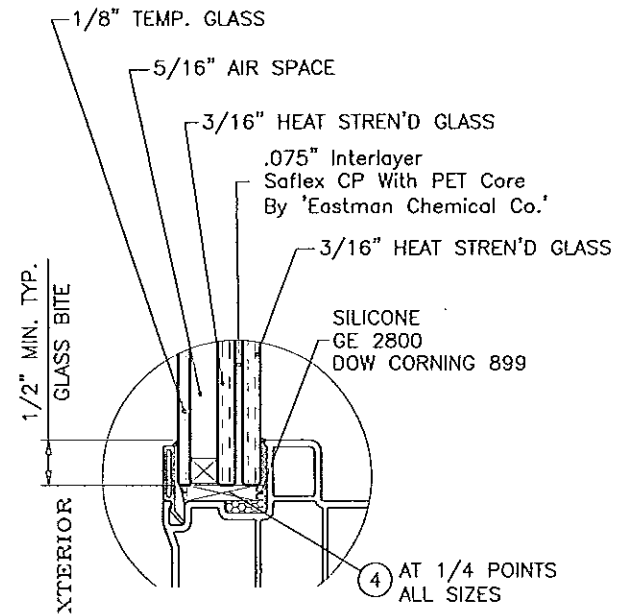
GLASS TYPE 'A'

7/8" OVERALL INSUL. LAM. GLASS
(LARGE & SMALL MISSILE IMPACT GLASS)



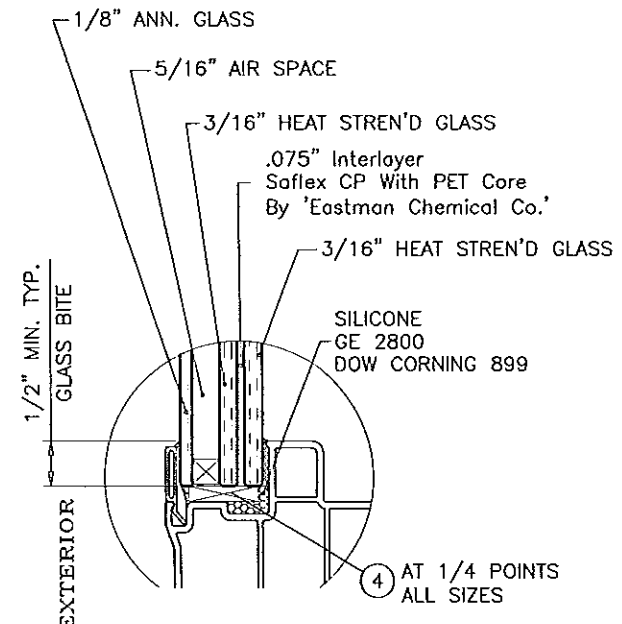
GLASS TYPE 'A1'

7/8" OVERALL INSUL. LAM. GLASS
(LARGE MISSILE IMPACT GLASS)



GLASS TYPE 'B'

7/8" OVERALL INSUL. LAM. GLASS
(LARGE & SMALL MISSILE IMPACT GLASS)



GLASS TYPE 'B1'

7/8" OVERALL INSUL. LAM. GLASS
(LARGE MISSILE IMPACT GLASS)

GLAZING OPTIONS

NOTE:
GLASS CAPACITIES ON THIS SHEET ARE
BASED ON ASTM E1300-09 (3 SEC. GUSTS).

Engr: JAVAD AHMAD
CML
FLA. PE # 70592
C.A.N. 3538
JAN 22 2015

PRODUCT REVISED
as complying with the Florida
Building Code 14.0909.18
Acceptance No
Expiration Date Jan 6, 2020
By *Manuel Perez*
Miami Dade Product Control

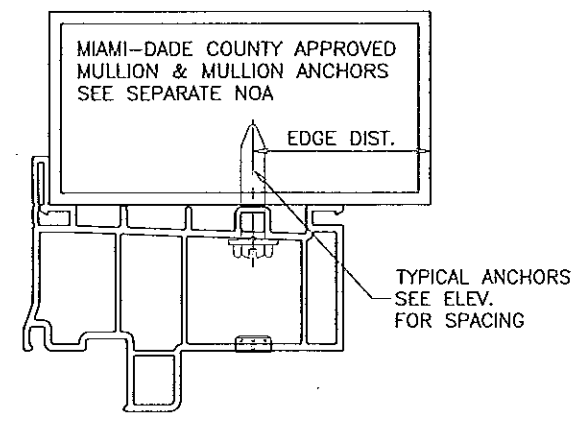
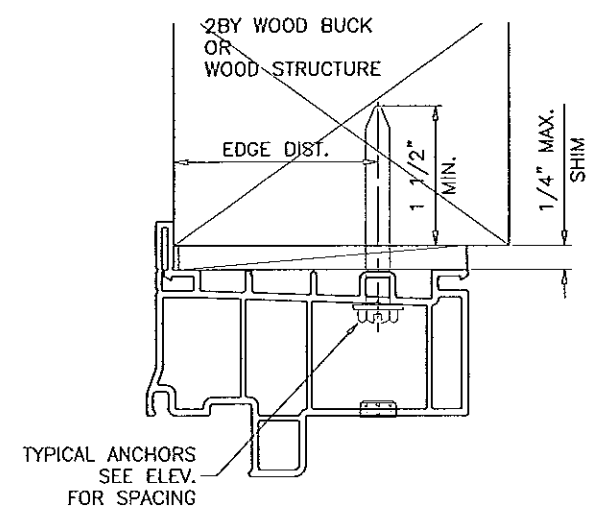
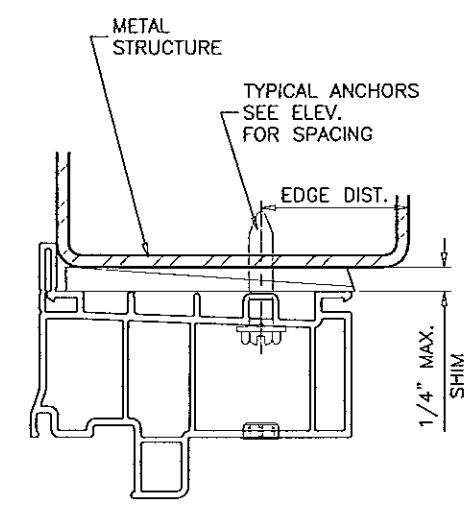
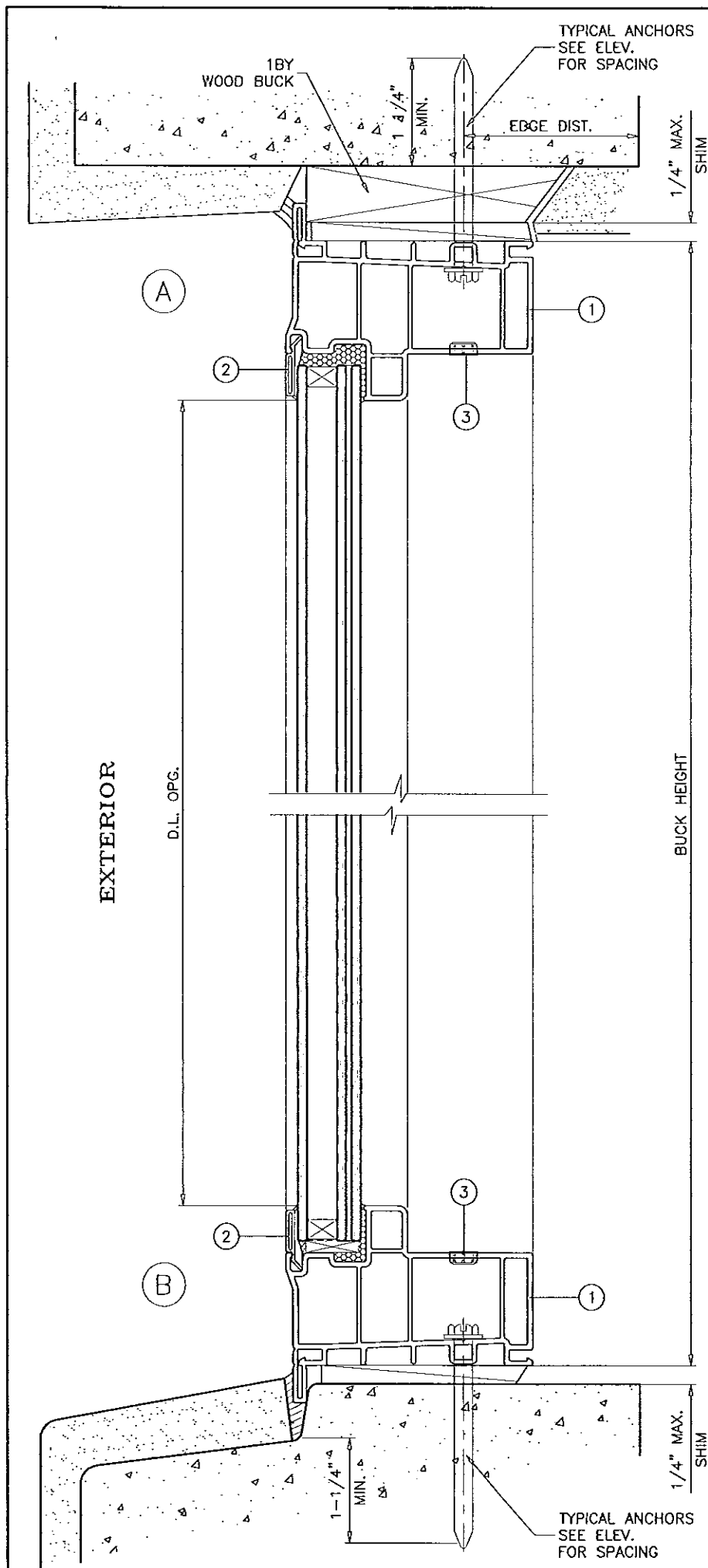
afC
AL-FAROOQ CORPORATION
ENGINEERS & PRODUCT DEVELOPMENT
1235 S.W. 87 AVE
MIAMI, FLORIDA 33174
TEL: (305) 264-8100 FAX: (305) 262-6978
COMP-ANL\W09-47AWP

SERIES 10200 PVC FIXED WINDOW (L.M.I./S.M.I.)
AWP WINDOWS AND DOORS, LLC
8130 N.W. 74TH AVE.
MEDLEY, FL. 33166
TEL: (305) 887-2646 FAX: (305) 883-1309

no	date	description	by
A	05.06.10	MANUF. NAME REVISED	
B	12.23.11	MANUF. NAME REVISED	
C	06.30.14	UPDATED TO 2014 FBC	
D	01.21.15	REV. PER REVISION COMMENTS	

date: 09-10-09
scale: 1/2" = 1"
dr. by: HAMID
chk. by:

drawing no.
W09-47
sheet 2 of 7



WOOD BUCKS AND METAL STRUCTURE NOT BY AWP WINDOWS MUST SUSTAIN LOADS IMPOSED BY GLAZING SYSTEM AND TRANSFER THEM TO THE BUILDING STRUCTURE.

TYPICAL ANCHORS: SEE ELEV. FOR SPACING

1/4" DIA. TAPCON BY 'ITW' (Fu=120 KSI, Fy=92 KSI)

1/4" DIA. ULTRACON BY 'ELCO' (Fu=177 KSI, Fy=155 KSI)

INTO 2BY WOOD BUCKS OR WOOD STRUCTURES
1-1/2" MIN. PENETRATION INTO WOOD

THRU 1BY BUCKS INTO CONC. OR MASONRY
1-1/4" MIN. EMBED INTO CONC. OR MASONRY

DIRECTLY INTO CONC. OR MASONRY
1-1/4" MIN. EMBED INTO CONC. OR MASONRY

#12 SMS OR SELF DRILLING SCREWS (GRADE 2 CRS)
INTO METAL STRUCTURES

STEEL : 12 GA. MIN. (Fy = 36 KSI MIN.)

ALUMINUM : 1/8" THK. MIN. (6063-T5 MIN.)

(STEEL IN CONTACT WITH ALUMINUM TO BE PLATED OR PAINTED)

#12 SMS OR SELF DRILLING SCREWS (GRADE 2 CRS)

INTO MIAMI-DADE COUNTY APPROVED MULLIONS (MIN. THK. = .090")
(NO SHIM SPACE)

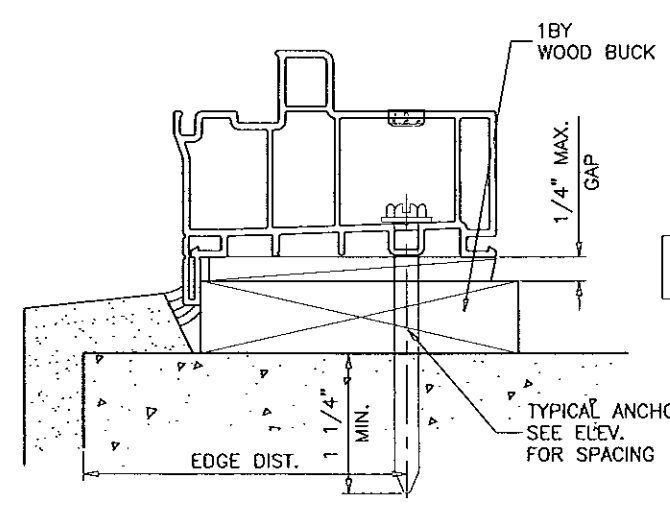
TYPICAL EDGE DISTANCE

INTO CONCRETE AND MASONRY = 2" MIN.

INTO WOOD STRUCTURE = 1" MIN.

INTO METAL STRUCTURE = 3/4" MIN.

CONCRETE AT HEAD, SILL OR JAMBS f'c = 3000 PSI MIN.
C-90 HOLLOW/FILLED BLOCK AT JAMBS f'm = 2000 PSI MIN.



FLANGE FRAME DETAILS

Engr: JAVAD AHMAD
CIVIL
FLA. PE # 70592
C.A.N. 3538

JAN 22 2015

PRODUCT REVISED
as complying with the Florida
Building Code
Acceptance No. 14-0909.18
Expiration Date Jan 16, 2020

By *Manuel Perez*
Miami Dade Product Control

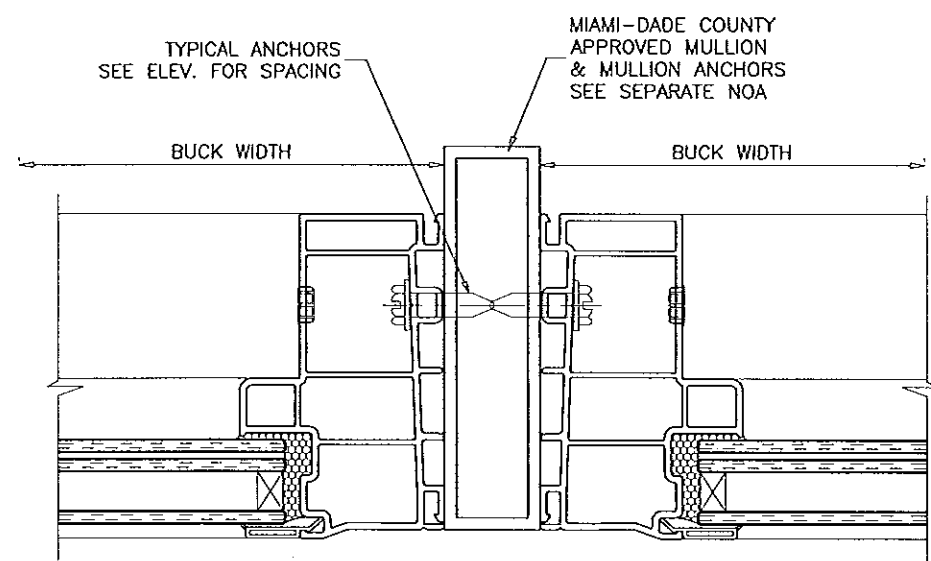
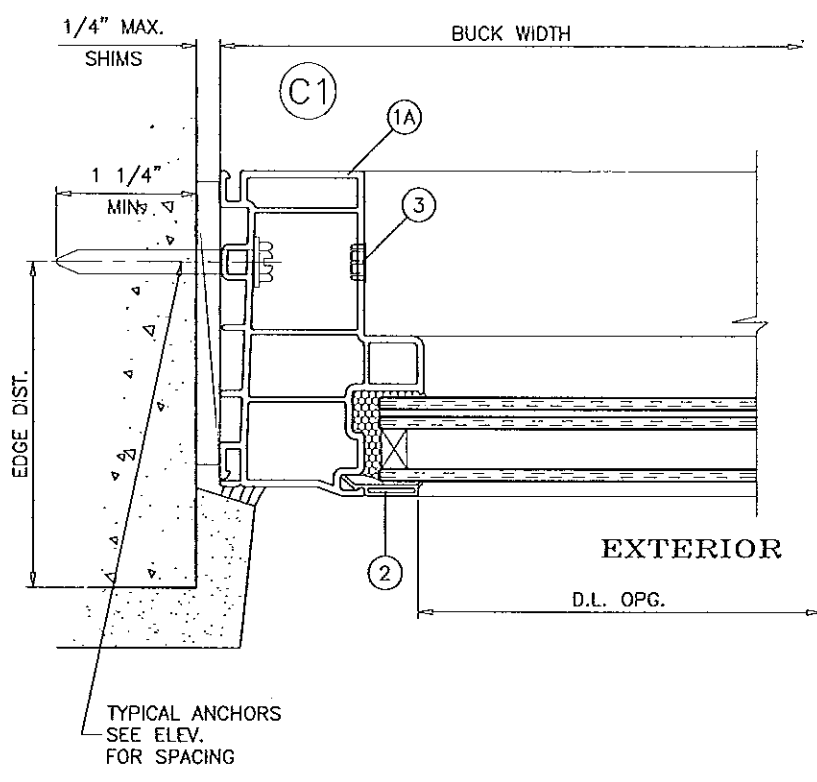
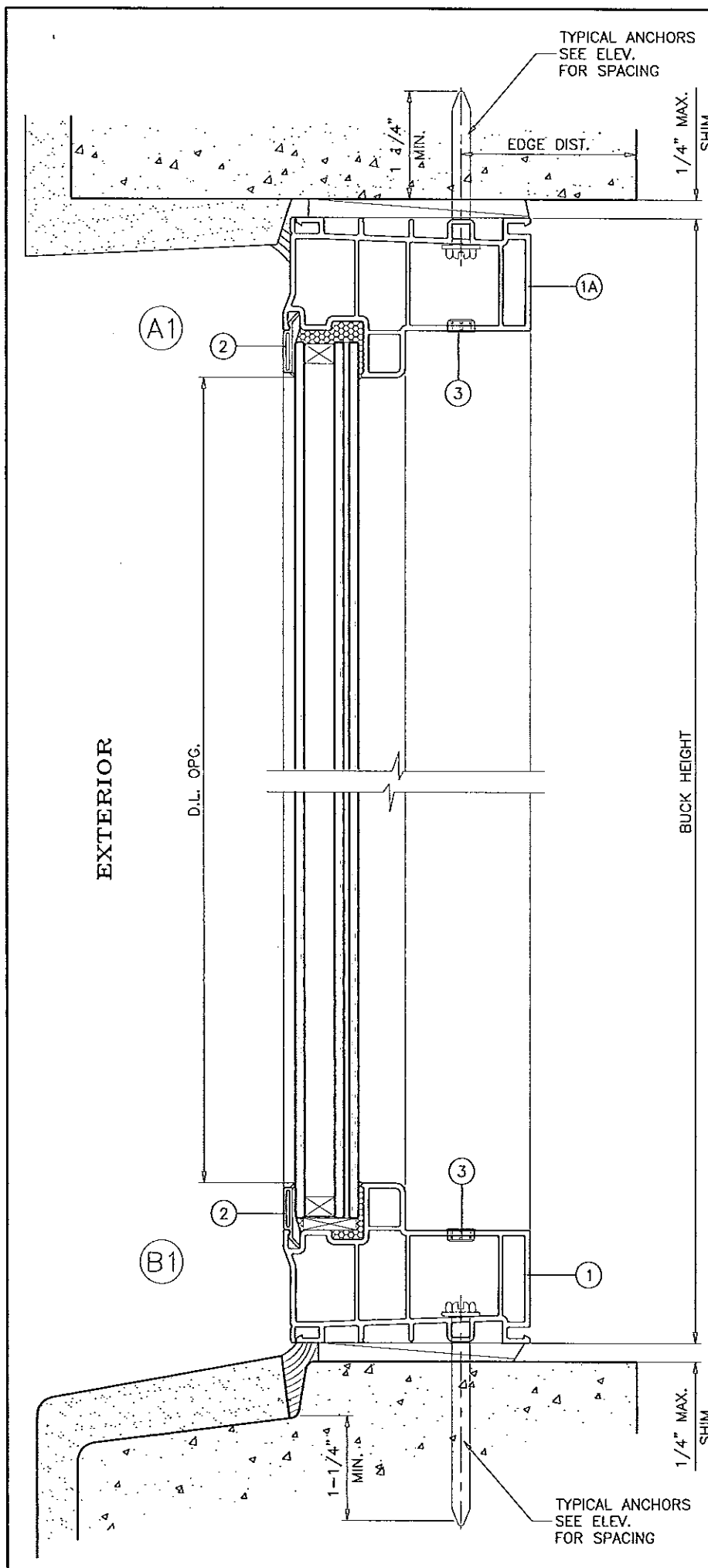
AL-FAROOQ CORPORATION
ENGINEERS & PRODUCT DEVELOPMENT
1235 S.W. 87 AVE
MIAMI, FLORIDA 33174
TEL. (305) 264-8100 FAX. (305) 262-6978
COMP-ANL W09-47AWP

SERIES 10200 PVC FIXED WINDOW (L.M.I./S.M.I.)
AWP WINDOWS AND DOORS, LLC
8130 N.W. 74TH AVE.
MEDLEY, FL. 33166
TEL. (305) 887-2646 FAX (305) 883-1309

no	date	description	by
A	05.06.10	MANUF. NAME REVISED	
B	12.23.11	MANUF. NAME REVISED	
C	06.30.14	UPDATED TO 2014 FBC	
D	01.21.15	REV. PER RER COMMENTS	

date: 09-10-09
scale: 1/2" = 1"
dr. by: HAMID
chk. by:

drawing no.
W09-47
sheet 3 of 7



FLUSH FRAME DETAILS

Engr: JAVAD AHMAD
CML
FLA. PE # 70592
C.A.N. 3538

PRODUCT REVISED
as complying with the Florida
Building Code
Acceptance No. 14-0909.18
Expiration Date Jan 6, 2020

JAN 22 2015

By *Manuel Perez*
Miami Dade Product Control

afC
AL-FAROOQ CORPORATION
ENGINEERS & PRODUCT DEVELOPMENT
1235 S.W. 87 AVE
MIAMI, FLORIDA 33174
TEL (305) 264-8100 FAX (305) 262-6978
COMP-ANL\W09-47AWP

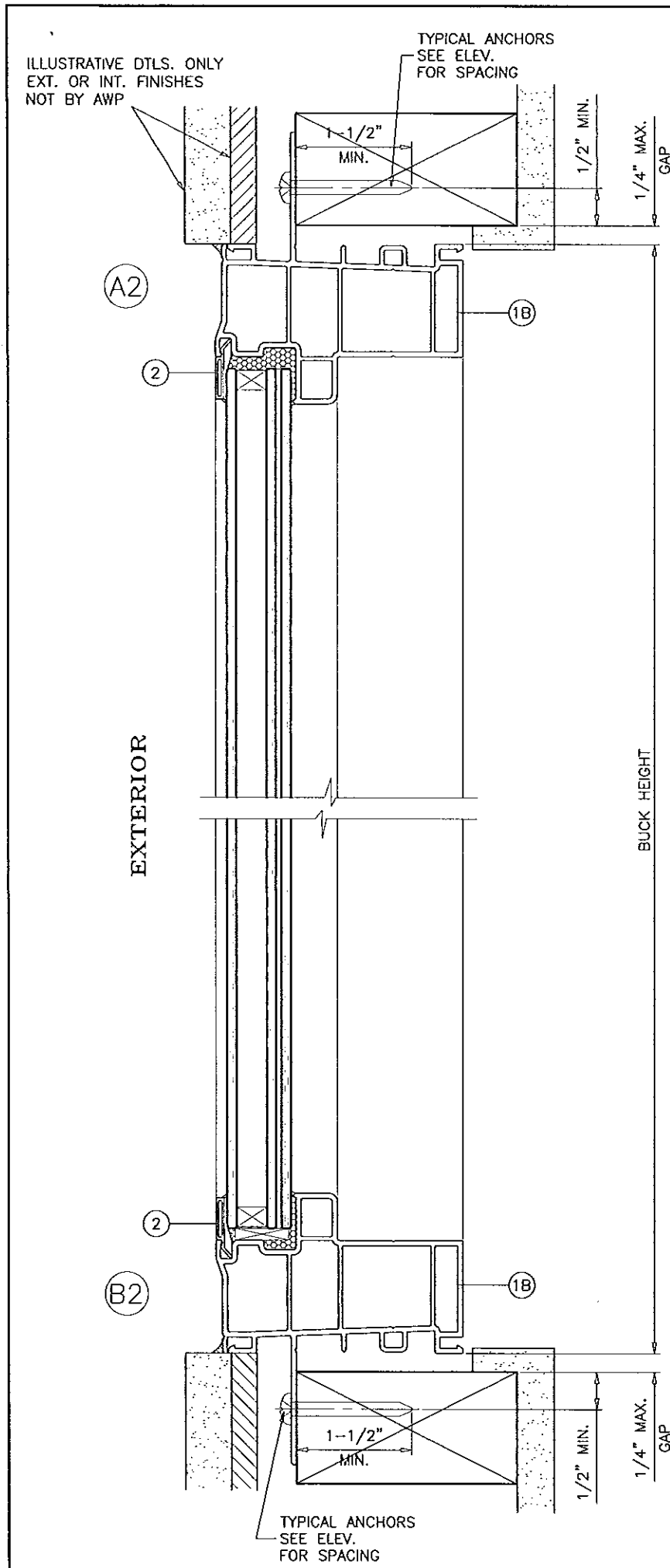
SERIES 10200 PVC FIXED WINDOW (L.M.I./S.M.I.)
AWP WINDOWS AND DOORS, LLC
8130 N.W. 74TH AVE.
MEDLEY, FL. 33166
TEL (305) 887-2646 FAX (305) 883-1309

no	date	description	by
A	05.06.10	MANUF. NAME REVISED	
B	12.23.11	MANUF. NAME REVISED	
C	06.30.14	UPDATED TO 2014 FBC	
D	01.21.15	REV. PER RER COMMENTS	

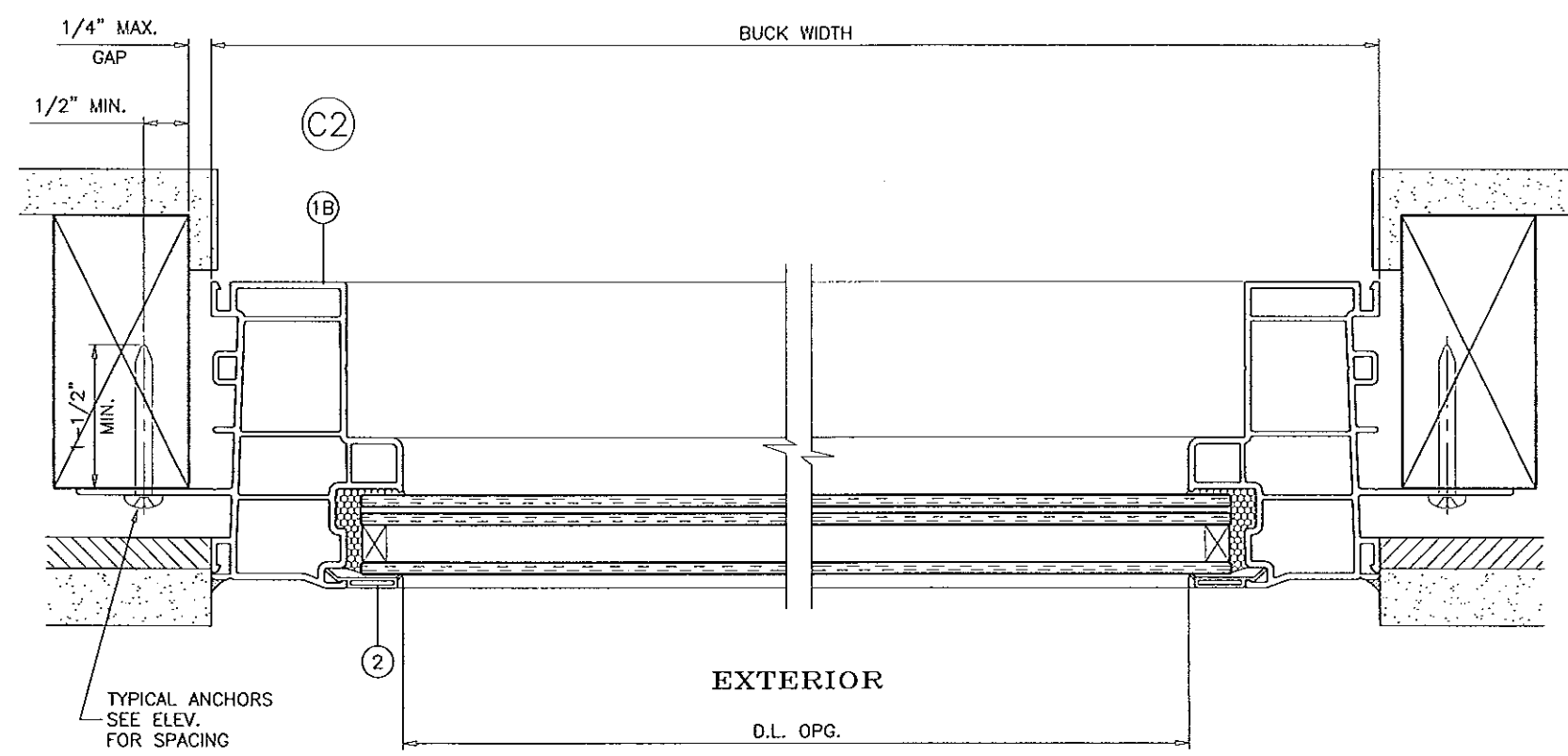
date: 09-10-09
scale: 1/2" = 1"
dr. by: HAMID
chk. by:

drawing no.
W09-47

sheet 5 of 7



TYPICAL ANCHORS: SEE ELEV. FOR SPACING
 #12 SMS (GRADE 2 CRS)
 INTO 2BY WOOD BUCKS OR WOOD STRUCTURES
 1-1/2" MIN. PENETRATION INTO WOOD



FIN FRAME DETAILS

Engr: JAVAD AHMAD
 CIVIL
 FLA. PE # 70592
 C.A.N. 3538
 JAN 22 2015

PRODUCT REVISED
 as complying with the Florida
 Building Code
 Acceptance No 14-0909.18
 Expiration Date Jan 6, 2020
 By *Manuel Perez*
 Miami Dade Product Control

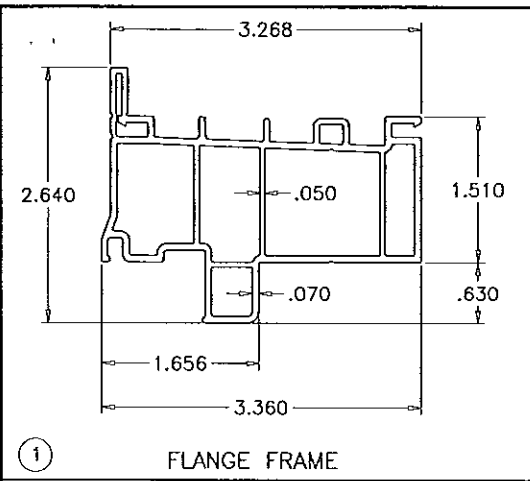
af c
AL-FAROOQ CORPORATION
 ENGINEERS & PRODUCT DEVELOPMENT
 1235 S.W. 87 AVE
 MIAMI, FLORIDA 33174
 TEL. (305) 264-8100 FAX (305) 262-6978
 COMP-ANL\W09-47AWP

SERIES 10200 PVC FIXED WINDOW (L.M.I./S.M.I.)
AWP WINDOWS AND DOORS, LLC
 8130 N.W. 74TH AVE.
 MEDLEY, FL. 33166
 TEL. (305) 887-2646 FAX (305) 883-1309

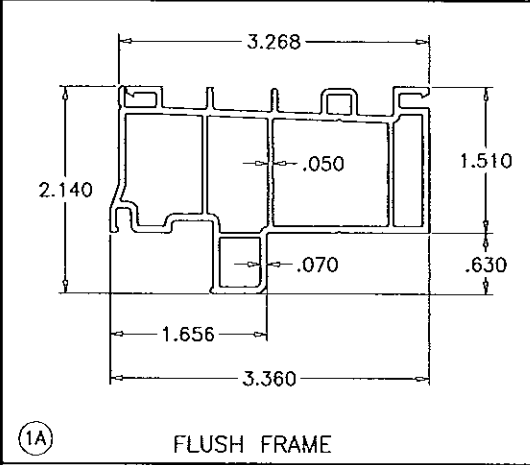
no	date	by	description
A	05.06.10		MANUF. NAME REVISED
B	12.23.11		MANUF. NAME REVISED
C	06.30.14		UPDATED TO 2014 FBC
D	01.21.15		REV. PER RER COMMENTS

date: 09-10-09
 scale: 1/2" = 1"
 dr. by: HAMID
 chk. by:

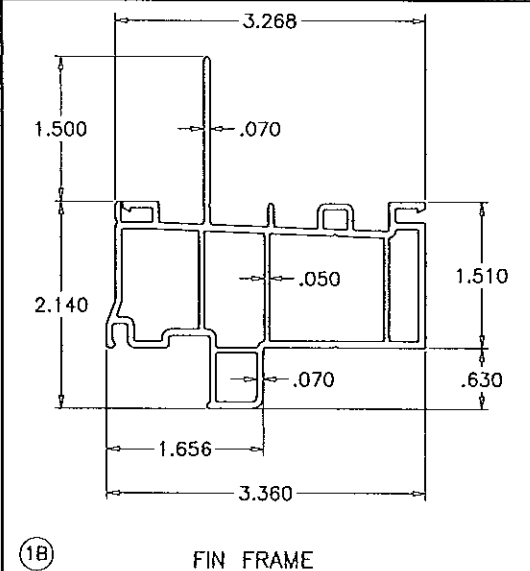
drawing no.
W09-47
 sheet 6 of 7



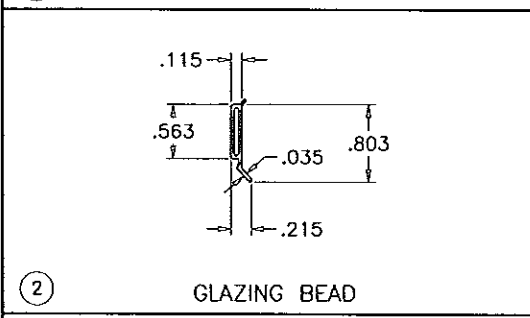
1 FLANGE FRAME



1A FLUSH FRAME



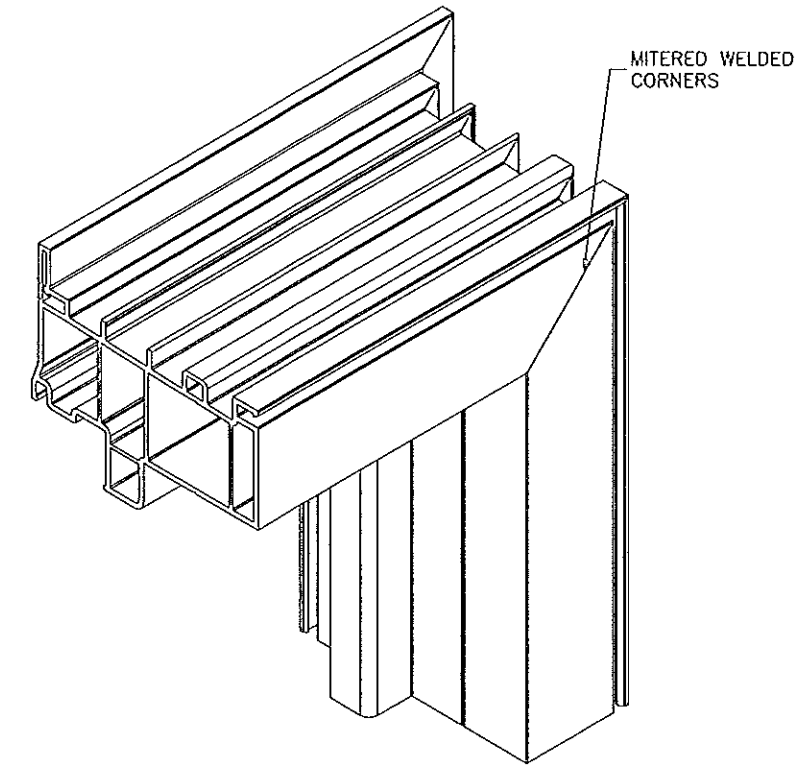
1B FIN FRAME



2 GLAZING BEAD

ITEM	PART #	QUANTITY	DESCRIPTION	MATERIAL	MANF./SUPPLIER/REMARKS
1	YV-10201	1	FLANGE FRAME	PVC	QUANEX BUILDING PRODUCTS INC.
1A	YV-10201	1	FLUSH FRAME	PVC	QUANEX BUILDING PRODUCTS INC.
1B	YV-10201	1	FIN FRAME	PVC	QUANEX BUILDING PRODUCTS INC.
2	YV-10007	8	GLAZING BEAD	PVC	QUANEX BUILDING PRODUCTS INC.
3	YH-1316	AS REQD.	HOLE PLUG	NYLON	ASHLAND SYS.
4	-	2/ LITE	SETTING BLOCKS	EPDM	DUROMETER 80±5 SHORE A

WHITE PVC EXTRUSIONS TO BE LABELED WITH AAMA EXTRUDER CODE, EXTRUDER NAME, CITY, STATE AND 'MOCA'.



FRAME CORNERS

Engr: JAVAD AHMAD
 CIVIL
 FLA. PE # 70592
 C.A.N. 3538
 JAN 22 2015

PRODUCT REVISED
 as complying with the Florida
 Building Code
 Acceptance No. 14-0909.18
 Expiration Date Jan 6, 2020
 By *Manuel Perez*
 Miami Dade Product Control

af c
AL-FAROOQ CORPORATION
 ENGINEERS & PRODUCT DEVELOPMENT
 1235 S.W. 87 AVE
 MIAMI, FLORIDA 33174
 TEL. (305) 264-8100 FAX. (305) 262-6978
 COMP-ANL\W09-47AWP

SERIES 10200 PVC FIXED WINDOW (L.M.I./S.M.I.)
AWP WINDOWS AND DOORS, LLC
 8130 N.W. 74TH AVE.
 MEDLEY, FL. 33166
 TEL. (305) 887-2646 FAX (305) 883-1309

no.	date	by	description
A	05.06.10		MANUF. NAME REVISED
B	12.23.11		MANUF. NAME REVISED
C	06.30.14		UPDATED TO 2014 FBC
D	01.21.15		REV. PER PER COMMENTS

date: 09-10-09
 scale: 1/2" = 1"
 dr. by: HAMID
 chk. by:
 drawing no.
W09-47
 sheet 7 of 7