



DEPARTMENT OF REGULATORY AND ECONOMIC RESOURCES (RER)
BOARD AND CODE ADMINISTRATION DIVISION

MIAMI-DADE COUNTY
PRODUCT CONTROL SECTION

11805 SW 26 Street, Room 208
T (786) 315-2590 F (786) 315-2599

www.miamidade.gov/economy

NOTICE OF ACCEPTANCE (NOA)

AWP Windows and Doors, LLC
8130 NW 74 Avenue
Medley, Fl. 33166

SCOPE:

This NOA is being issued under the applicable rules and regulations governing the use of construction materials. The documentation submitted has been reviewed and accepted by Miami-Dade County RER - Product Control Section to be used in Miami Dade County and other areas where allowed by the Authority Having Jurisdiction (AHJ).

This NOA shall not be valid after the expiration date stated below. The Miami-Dade County Product Control Section (In Miami Dade County) and/or the AHJ (in areas other than Miami Dade County) reserve the right to have this product or material tested for quality assurance purposes. If this product or material fails to perform in the accepted manner, the manufacturer will incur the expense of such testing and the AHJ may immediately revoke, modify, or suspend the use of such product or material within their jurisdiction. RER reserves the right to revoke this acceptance, if it is determined by Miami-Dade County Product Control Section that this product or material fails to meet the requirements of the applicable building code.

This product is approved as described herein, and has been designed to comply with the Florida Building Code, including the High Velocity Hurricane Zone.

DESCRIPTION: Series "1550" Aluminum Project Out Window - N.I.

APPROVAL DOCUMENT: Drawing No. W10-10, titled "Series-1550 Aluminum Projected Wdw. (N.I.)" Sheets 1 through 6 of 6, dated 03/11/10, with revision C dated 02/18/15, prepared by Al-Farooq Corporation, signed and sealed by Javad Ahmad, P.E., bearing the Miami-Dade County Product Control Section Revision stamp with the Notice of Acceptance number and expiration date by the Miami-Dade County Product Control Section.

MISSILE IMPACT RATING: None.

LABELING: Each unit shall bear a permanent label with the manufacturer's name or logo, city, state, model/series, and following statement: "Miami-Dade County Product Control Approved", unless otherwise noted herein.

RENEWAL of this NOA shall be considered after a renewal application has been filed and there has been no change in the applicable building code negatively affecting the performance of this product.

TERMINATION of this NOA will occur after the expiration date or if there has been a revision or change in the materials, use, and/or manufacture of the product or process. Misuse of this NOA as an endorsement of any product, for sales, advertising or any other purposes shall automatically terminate this NOA. Failure to comply with any section of this NOA shall be cause for termination and removal of NOA.

ADVERTISEMENT: The NOA number preceded by the words Miami-Dade County, Florida, and followed by the expiration date may be displayed in advertising literature. If any portion of the NOA is displayed, then it shall be done in its entirety.

INSPECTION: A copy of this entire NOA shall be provided to the user by the manufacturer or its distributors and shall be available for inspection at the job site at the request of the Building Official.

This NOA revises and renews NOA# 12-0118.15 and consists of this page 1 and evidence pages E-1 and E-2, as well as approval document mentioned above.

The submitted documentation was reviewed by Manuel Perez, P.E.



MP
2/23/15

NOA No. 14-1014.03
Expiration Date: September 08, 2020
Approval Date: March 05, 2015
Page 1

AWP Windows and Doors, LLC

NOTICE OF ACCEPTANCE: EVIDENCE SUBMITTED

A. DRAWINGS

1. Manufacturer's die drawings and sections.
2. Drawing No **W10-10**, titled "Series-1550 Aluminum Projected Wdw. (N.I.)", sheets 1 through 6 of 6, dated 03/11/10, with revision C dated 02/18/15, prepared by Al-Farooq Corporation, signed and sealed by Javad Ahmad, P.E.

B. TESTS

1. Test reports on: 1) Air Infiltration Test, per FBC, TAS 202-94
2) Uniform Static Air Pressure Test, Loading per FBC TAS 202-94
3) Water Resistance Test, per FBC, TAS 202-94
4) Forced Entry Test, per FBC 2411.3.2.1, and TAS 202-94
along with marked-up drawings and installation diagram of series 1550 aluminum project out window, prepared by Fenestration Testing Laboratory, Test Report No. **FTL-6050**, dated 12/14/09, signed and sealed by Julio F. Gonzalez, P.E.
(Submitted under NOA No. 10-0506.02)

C. CALCULATIONS

1. Anchor verification calculations and structural analysis, complying with **FBC-5th Edition (2014)**, dated 07/08/14, prepared by Al-Farooq Corporation, signed and sealed by Javad Ahmad, P.E.
2. Glazing complies with **ASTM E1300-09**

D. QUALITY ASSURANCE


1. Miami-Dade Department of Regulatory and Economic Resources (RER).

E. MATERIAL CERTIFICATIONS

1. None.

F. STATEMENTS

1. Statement letter of conformance, complying with **FBC-5th Edition (2014)**, and of no financial interest, dated 07/08/14, issued by Al-Farooq Corporation, signed and sealed by Javad Ahmad, P.E.
2. Laboratory compliance letter for Test Report No. **FTL-6050**, issued by Fenestration Testing Laboratory, Inc., dated 12/14/09, signed and sealed by Julio F. Gonzalez, P.E.
(Submitted under NOA No. 10-0506.02)


Manuel Perez, P.E.
Product Control Examiner
NOA No. 14-1014.03
Expiration Date: September 08, 2020
Approval Date: March 05, 2015

AWP Windows and Doors, LLC

NOTICE OF ACCEPTANCE: EVIDENCE SUBMITTED

G. STATEMENTS (CONTINUED)

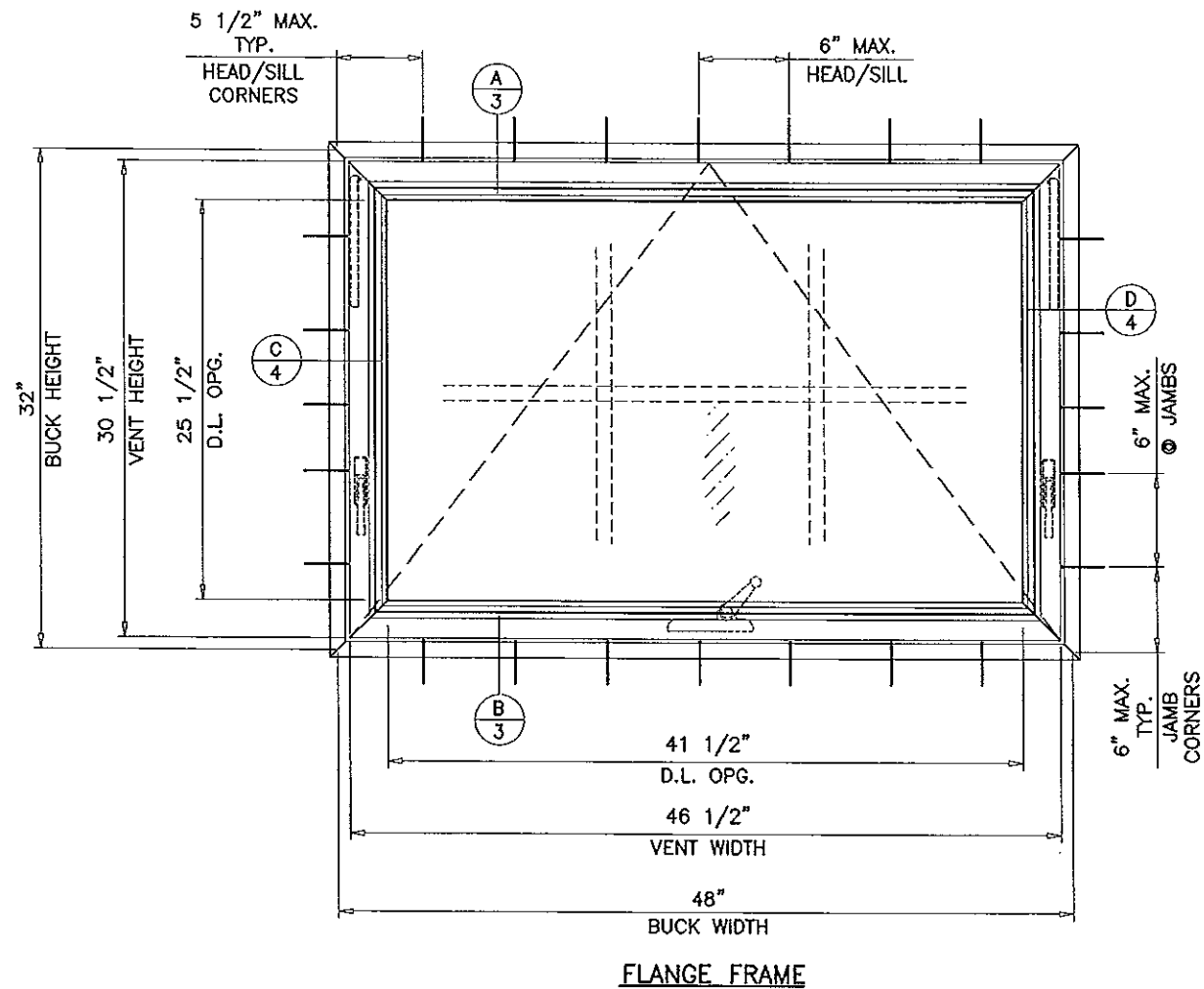
3. Letter from Trulite Window & Door Solutions, LLC, owners of existing NOA, stating that they have sold all assets to the applicant, that they no longer manufacture the product and relinquish their rights to the current NOA No. 12-0118.15, dated June 24, 2014, signed by Mr. Kevin Barrett, Chief Financial Officer.
4. Asset purchase agreement dated March 20, 2014, signed by Mr. Paul Schmitz, Chief Executive Officer and President, Trulite Intermediate Holding, LLC and Mr. Tim Morris, Jr., President and C.F.O., AWP Windows and Doors, LLC.

H. OTHERS

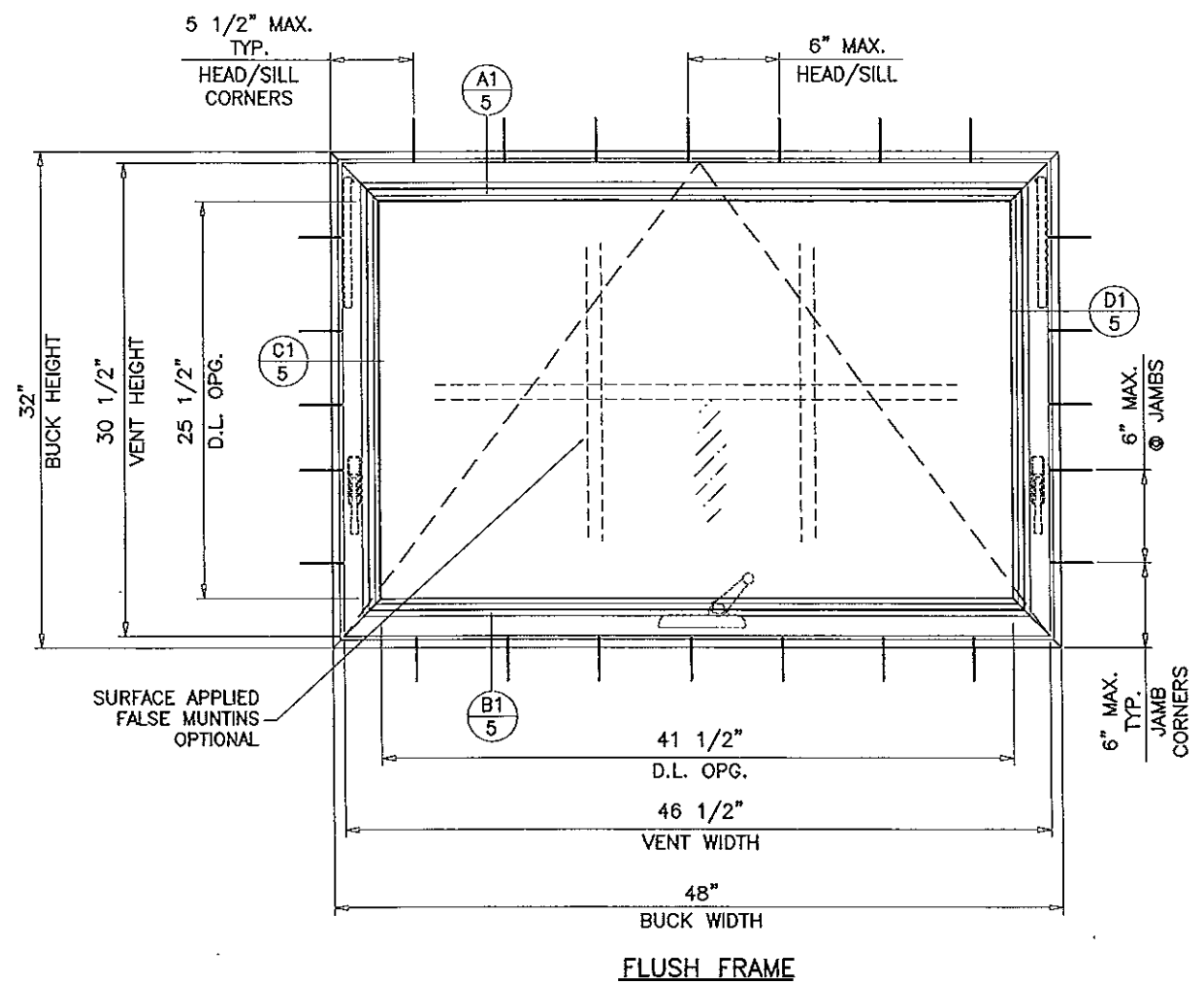
1. Notice of Acceptance No. 12-0118.15, issued to Trulite Window & Door Solutions, LLC, for their Series "1550" Outswing Aluminum Projected Window - N.I., approved on 03/15/12 and expiring on 09/08/15.


Manuel Perez, P.E.

Product Control Examiner
NOA No. 14-1014.03
Expiration Date: September 08, 2020
Approval Date: March 05, 2015



FLANGE FRAME



FLUSH FRAME

TYPICAL ELEVATION
TESTED UNITS

SERIES-1550
ALUMINUM PROJECTED WINDOW

DESIGN LOAD RATINGS FOR THESE WINDOWS TO BE AS PER CHARTS SHOWN ON SHEET 2.

APPROVAL APPLIES TO SINGLE PROJECTED WINDOWS, ALSO COMBINATIONS OF PROJECTED/PROJECTED OR PROJECTED WITH OTHER WINDOW TYPES IN MODULES OF TWO OR MORE WINDOWS USING MIAMI-DADE COUNTY APPROVED MULLIONS IN BETWEEN. LOWER DESIGN PRESSURE FROM WINDOWS OR MULLION APPROVAL WILL APPLY TO ENTIRE SYSTEM.

THIS PRODUCT HAS BEEN DESIGNED AND TESTED TO COMPLY WITH THE REQUIREMENTS OF THE FLORIDA BUILDING CODE INCLUDING HIGH VELOCITY HURRICANE ZONE (HVHZ).

WOOD BUCKS BY OTHERS, MUST BE ANCHORED PROPERLY TO TRANSFER LOADS TO THE STRUCTURE.

ANCHORS SHALL BE AS LISTED, SPACED AS SHOWN ON DETAILS, ANCHORS EMBEDMENT TO BASE MATERIAL SHALL BE BEYOND WALL DRESSING OR STUCCO.

ANCHORING OR LOADING CONDITIONS NOT SHOWN IN THESE DETAILS ARE NOT PART OF THIS APPROVAL.

A LOAD DURATION INCREASE IS USED IN DESIGN OF ANCHORS INTO WOOD ONLY.

ALL SHIMS TO BE HIGH IMPACT, NON-METALLIC AND NON-COMPRESSIBLE.

MATERIALS INCLUDING BUT NOT LIMITED TO STEEL/METAL SCREWS, THAT COME INTO CONTACT WITH OTHER DISSIMILAR MATERIALS SHALL MEET THE REQUIREMENTS OF THE FLORIDA BLDG. CODE.

INSTALLATION OF THIS PRODUCT IN THE HVHZ AREA REQUIRES THE USE OF APPROVED SHUTTERS OR EXTERNAL PROTECTION DEVICES COMPLYING WITH HVHZ REQUIREMENTS. INSTALLATION OF THIS SYSTEM OUTSIDE THE HVHZ AREA SHALL MEET THE APPLICABLE REQUIREMENTS FOR WIND BORNE DEBRIS PROTECTION.

Engr: JAVAD AHMAD
CIVIL
FLA. PE # 70592
C.A.N. 3538

FEB 20 2015
By: *Manuel*
Miami Dade Product Control

MONOLITHIC GLASS
INSULATING GLASS
NON IMPACT

PRODUCT REVISED
as complying with the Florida
Building Code
Acceptance No. 14-1014.03
Expiration Date Sept. 8, 2020

af c
AL-FAROOQ CORPORATION
ENGINEERS & PRODUCT DEVELOPMENT
1235 S.W. 87 AVE
MIAMI, FLORIDA 33174
TEL. (305) 264-8100 FAX. (305) 262-6978
COMP-ANL\W10-10AWP

SERIES-1550 ALUMINUM PROJECTED WDW. (N.I.)
AWP WINDOWS AND DOORS, LLC
8130 N.W. 74TH AVE.
MEDLEY, FL. 33166
TEL. (305) 887-2646 FAX (305) 883-1309

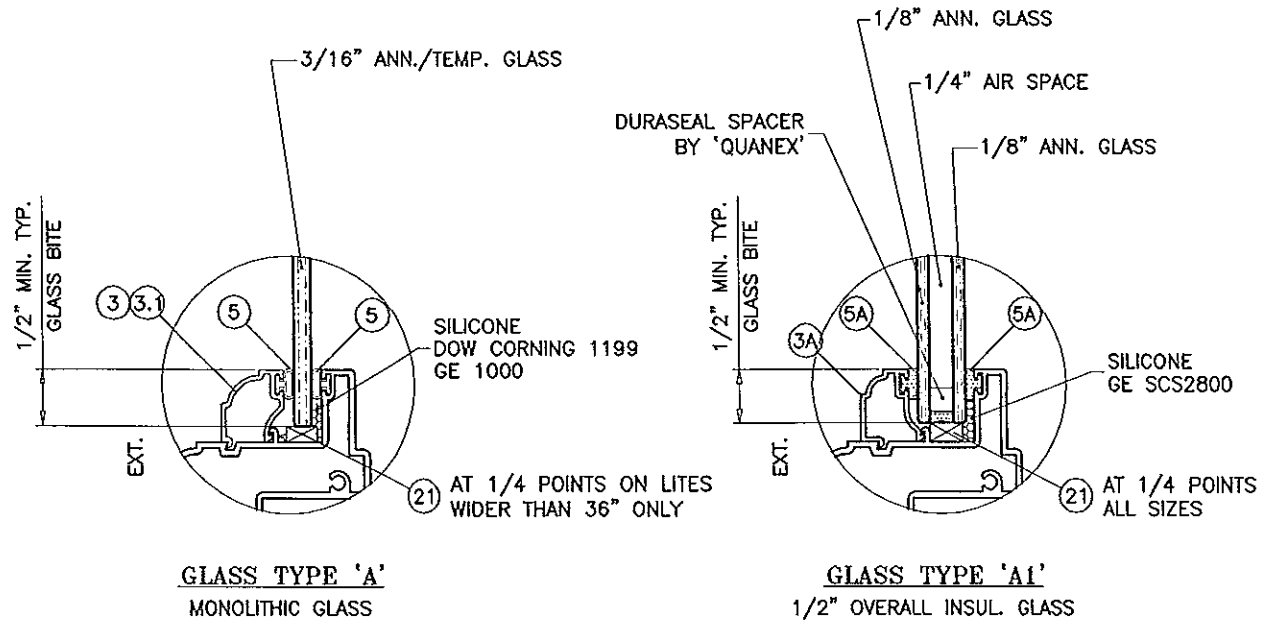
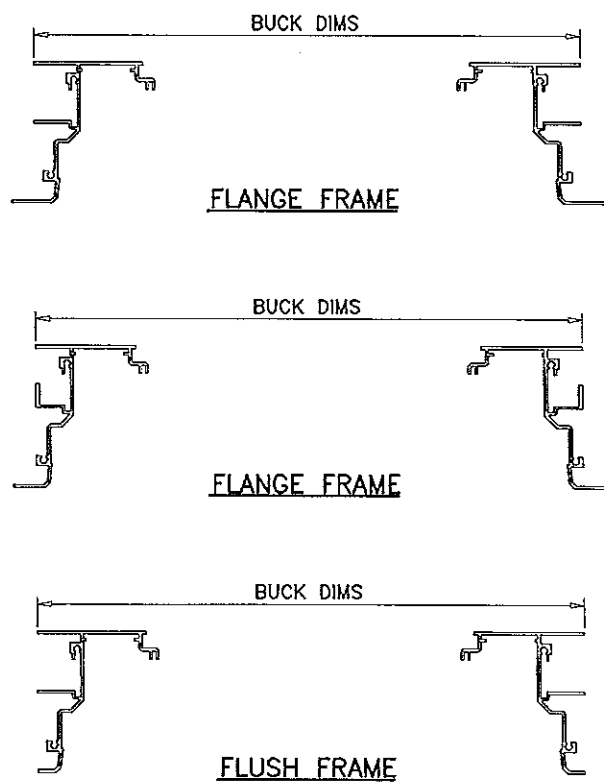
NO	DATE	DESCRIPTION	BY
A	12.23.11	UPDATED TO 2010 FBC, NAME REV	
B	10.27.14	GENERAL REVISION	
C	02.18.15	REV. PER PER COMMENTS	

date: 03-11-10
scale: 1" = 1'-0"
dr. by: HAMID
chk. by:

drawing no.
W10-10
sheet 1 of 6

DESIGN LOAD CAPACITY - PSF					
BUCK DIMS.		GLASS TYPE 'A'		GLASS TYPE 'A1'	
WIDTH	HEIGHT	EXT.(+)	INT.(-)	EXT.(+)	INT.(-)
18-1/8"	25"	90.0	125.0	80.0	125.0
25-1/2"		90.0	125.0	80.0	125.0
31"		90.0	122.0	80.0	122.0
32"		90.0	115.8	80.0	115.8
36"		90.0	115.3	80.0	115.3
41"		90.0	95.1	80.0	95.1
48"	90.0	101.8	80.0	93.5	
18-1/8"	32"	90.0	125.0	80.0	125.0
25-1/2"		90.0	115.0	80.0	115.0
31"		90.0	110.4	80.0	110.4
32"		90.0	110.3	80.0	110.3
36"		90.0	105.8	80.0	105.8
41"		84.7	84.7	80.0	84.7
48"	79.5	79.5	80.0	80.5	
18-1/8"	37-3/8"	90.0	125.0	80.0	125.0
25-1/2"		90.0	107.9	80.0	107.9
31"		90.0	99.9	80.0	99.9
32"		90.0	99.0	80.0	99.0
36"		90.0	94.6	80.0	91.9
41"	81.2	81.2	80.0	80.7	
18-1/8"	48"	90.0	112.0	80.0	112.0
25-1/2"		87.9	87.9	87.9	87.9
31"		78.4	78.4	78.4	78.4
32"		77.2	77.2	77.2	77.2

ITEM	PART No.	QUANTITY	DESCRIPTION	MATERIAL	REMARKS/MANUFACTURER
1	YE-1401	4	FLANGE FRAME	6063-T6	-
1.1	-	4	ALT. FLANGE FRAME	6063-T6	-
1A	YE-1552	4	FLUSH FRAME	6063-T6	-
2	YE-1402	4	VENT	6063-T6	-
3	YE-1406	AS REQD.	GLAZING STOP (MONOLITHIC GLASS)	6063-T6	-
3.1	YE-1554	AS REQD.	ALTERNATE GLAZING STOP (MONOLITHIC GLASS)	6063-T6	-
3A	YE-1405	AS REQD.	GLAZING STOP (INSULATING GLASS)	6063-T6	-
4	YH-1412	6	SNUBBER ANGLE	6063-T6	.625 x .750 x 2.250 x .125"
5	F201	AS REQD.	GLAZING GASKET (MONOLITHIC GLASS)	VINYL	DUROMETER 70±5 SHORE A
5A	YH-1622	AS REQD.	GLAZING GASKET (INSULATING GLASS)	VINYL	DUROMETER 70±5 SHORE A
6	YH-1409	AS REQD.	FRAME WEATHERSTRIP	VINYL	'SULLIVAN'
7	YH-1470	AS REQD.	VENT WEATHERSTRIP	VINYL	ULTRAFAB
8	31858/31862	2/VENT	TWO BAR HINGE ASSY, AT EA. JAMB	STEEL	'TRUTH'
9	YH-1420	2	FACE MOUNT LOCK	CAST ZAMAK	6" FROM BOTTOM EA. JAMB, 'TRUTH'
10	CS-400-SS	2/VENT	KEEPER, AT FRAME JAMBS FACING LOCK	S. STEEL	6" FROM BOTTOM EA. JAMB, 'SULLIVAN'
11	51.00.XX.011	1	VENT OPERATOR (MODEL 'MAXIM' AWNING)	CAST ZINC	AT CENTER OF FRAME BOTTOM, 'TRUTH'
12	YH-1408	4/VENT	VENT CORNER KEY	ZINC	CAST, 'DECO'
13	YH-1411	4/FRAME	FRAME CORNER KEY	ALUMINUM	7/8 x 2 x 1/8 x 2" LONG
14	YH-1460	4/FRAME	FRAME CORNER KEY	ALUMINUM	2-1/4 x 2-1/4 x 1-5/32 x 1/16"
15	YF-10	16	VENT & FRAME ASSEMBLY SCREW	-	#8 x 1 PH. P.H. SMS.
16	YE-377	2/LOCK	FACE MOUNT LOCK RETAINER CLIP	6063-T6	-
17	-	2/ANGLE	SNUBBER ANGLE ASSEMBLY SCREW	-	#8 x 1/2" F.H. SMS.
18	-	4/HINGE	TWO BAR HINGE ASSEMBLY SCREW	-	#8 x 1/2" F.H. SMS.
19	-	2/LOCK	FACE MOUNT LOCK ASSY. SCREW	-	#8-32 x 1/2" F.H. MS.
20	-	3/KEEPER	KEEPER ASSEMBLY SCREW	S. STEEL	#10-24 x 1/4" P.H. MS.
21	-	AS REQD.	SETTING BLOCK	EPDM	DUROMETER 80±5 SHORE A



GLAZING OPTIONS

NOTE:
GLASS CAPACITIES ON THIS SHEET ARE
BASED ON ASTM E1300-09 (3 SEC. GUSTS)
AND FLORIDA BUILDING COMMISSION
DECLARATORY STATEMENT DCA05-DEC-219

Engr: JAVAD AHMAD
CML
FLA. PE # 70592
C.A.N. 3538

FEB 20 2015

PRODUCT REVISED
as complying with the Florida
Building Code
Acceptance No 14-1014.03
Expiration Date Sept. 8, 2020
By *Manuel Perez*
Miami Dade Product Control

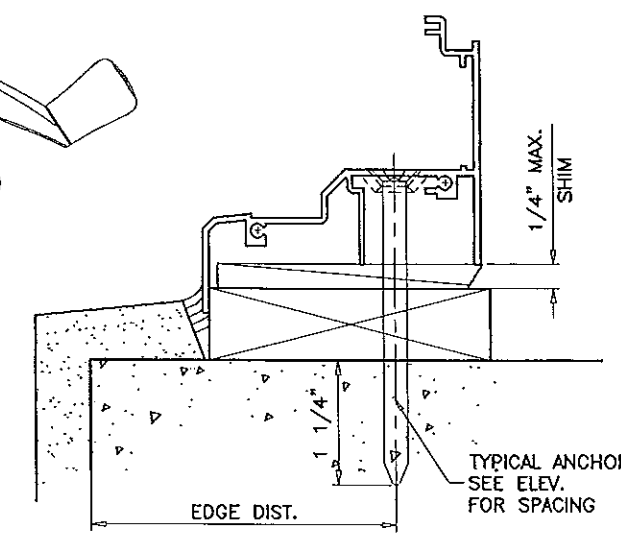
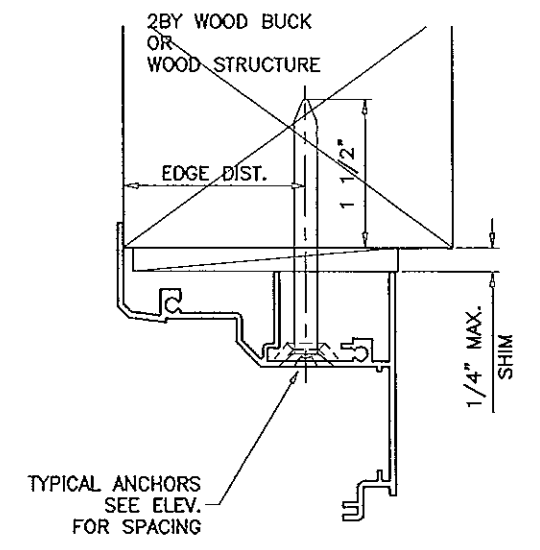
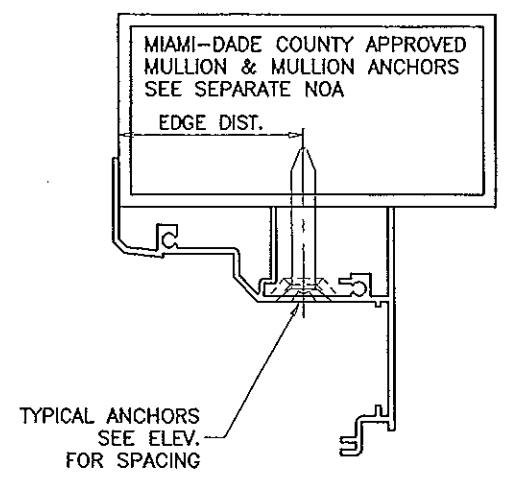
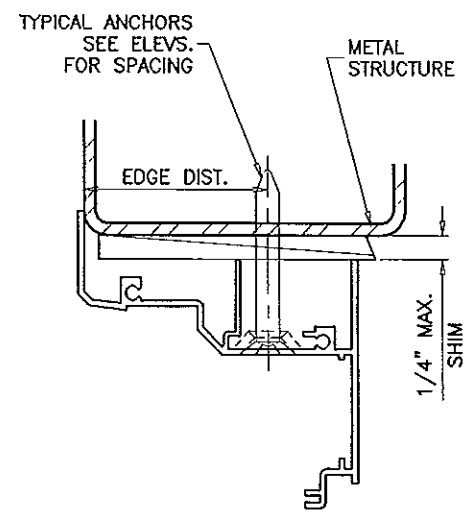
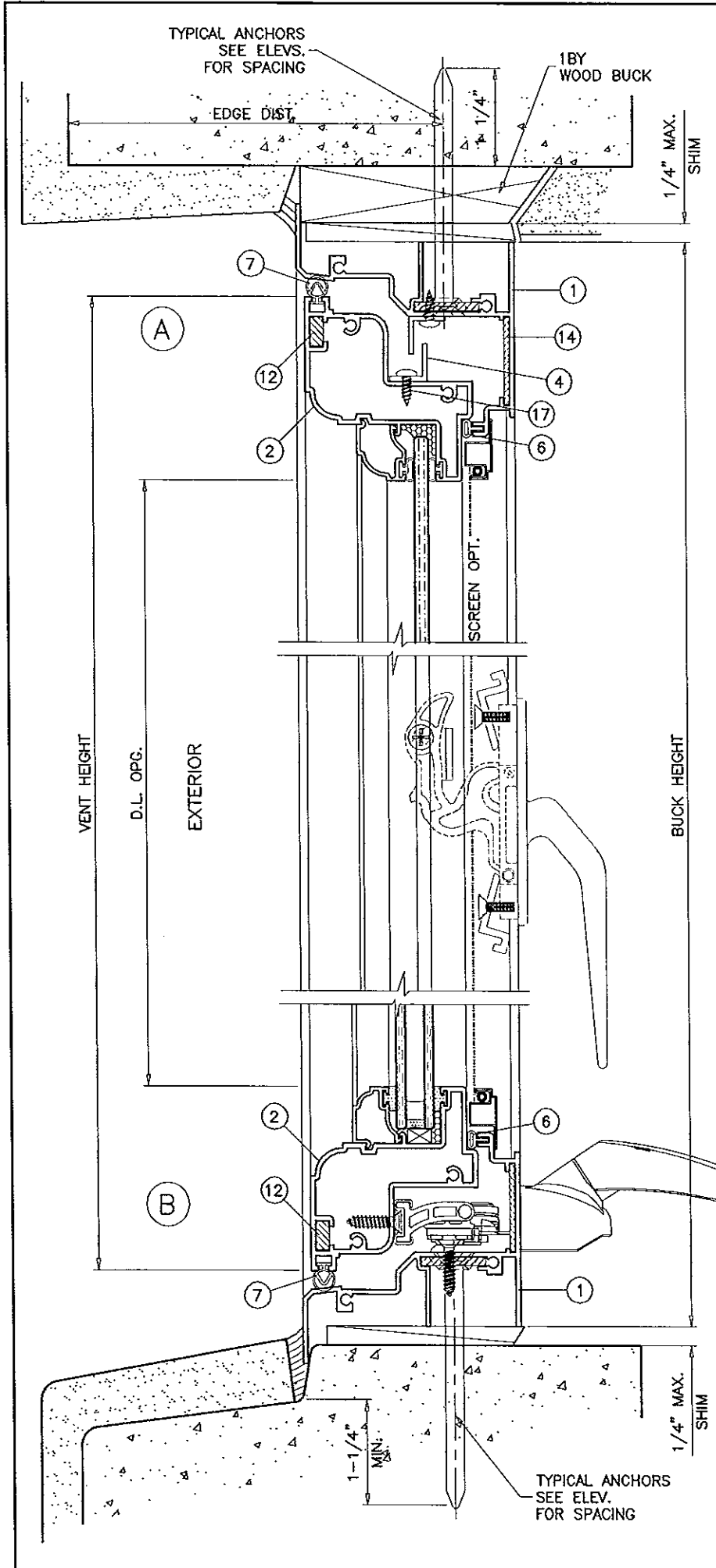
afC
AL-FAROOQ CORPORATION
ENGINEERS & PRODUCT DEVELOPMENT
1235 S.W. 87 AVE
MIAMI, FLORIDA 33174
TEL. (305) 262-6978 FAX. (305) 262-6978
COMP-ANIL\W10-10AWP

SERIES-1550 ALUMINUM PROJECTED WDW. (N.I.)
AWP WINDOWS AND DOORS, LLC
8130 N.W. 74TH AVE.
MEDLEY, FL. 33166
TEL. (305) 887-2846 FAX (305) 883-1309

no	date	description	by
A	12.23.11	MANUF. NAME REVISED	
B	10.27.14	GENERAL REVISION	
C	02.18.15	REV. PER PER COMMENTS	

date: 03-11-10	scale: 1/2" = 1"
dr. by: HAMID	chk. by:

drawing no. **W10-10**
sheet 2 of 6



WOOD BUCKS AND METAL STRUCTURE NOT BY AWP WINDOWS MUST SUSTAIN LOADS IMPOSED BY GLAZING SYSTEM AND TRANSFER THEM TO THE BUILDING STRUCTURE.

TYPICAL ANCHORS: SEE ELEV. FOR SPACING
1/4" DIA. TAPCON BY 'ITW' (Fu=125 KSI, Fy=100 KSI)
1/4" DIA. ULTRACON BY 'ELCO' (Fu=177 KSI, Fy=155 KSI)
 INTO 2BY WOOD BUCKS OR WOOD STRUCTURES
 1-1/2" MIN. PENETRATION INTO WOOD
 THRU 1BY BUCKS INTO CONC. OR MASONRY
 1-1/4" MIN. EMBED INTO CONC. OR MASONRY
 DIRECTLY INTO CONC. OR MASONRY
 1-1/4" MIN. EMBED INTO CONC. OR MASONRY
1/4" DIA. TEKS OR SELF DRILLING SCREWS (GRADE 5 CRS)
 INTO MIAMI-DADE COUNTY APPROVED MULLIONS (MIN. THK. = 1/8")
 INTO METAL STRUCTURES
 STEEL : 1/8" THK. MIN. (Fy = 36 KSI MIN.)
 ALUMINUM : 1/8" THK. MIN. (6063-T5 MIN.)
 (STEEL IN CONTACT WITH ALUMINUM TO BE PLATED OR PAINTED)
TYPICAL EDGE DISTANCE
 INTO CONCRETE AND MASONRY = 2" MIN.
 INTO WOOD STRUCTURE = 1" MIN.
 INTO METAL STRUCTURE = 3/4" MIN.
 WOOD AT HEAD, SILL OR JAMBS SG = 0.55 MIN.
 CONCRETE AT HEAD, SILL OR JAMBS f'c = 3000 PSI MIN.
 C-90 HOLLOW/FILLED BLOCK AT JAMBS f'm = 2000 PSI MIN.

Engr: JAVAD AHMAD
 CML
 FLA. PE # 70592
 C.A.N. 3538
 FEB 20 2015

PRODUCT REVISED
 as complying with the Florida
 Building Code
 Acceptance No. 14-1014.03
 Expiration Date Sept. 8, 2020
 By *Manuel Perez*
 Miami Dade Product Control

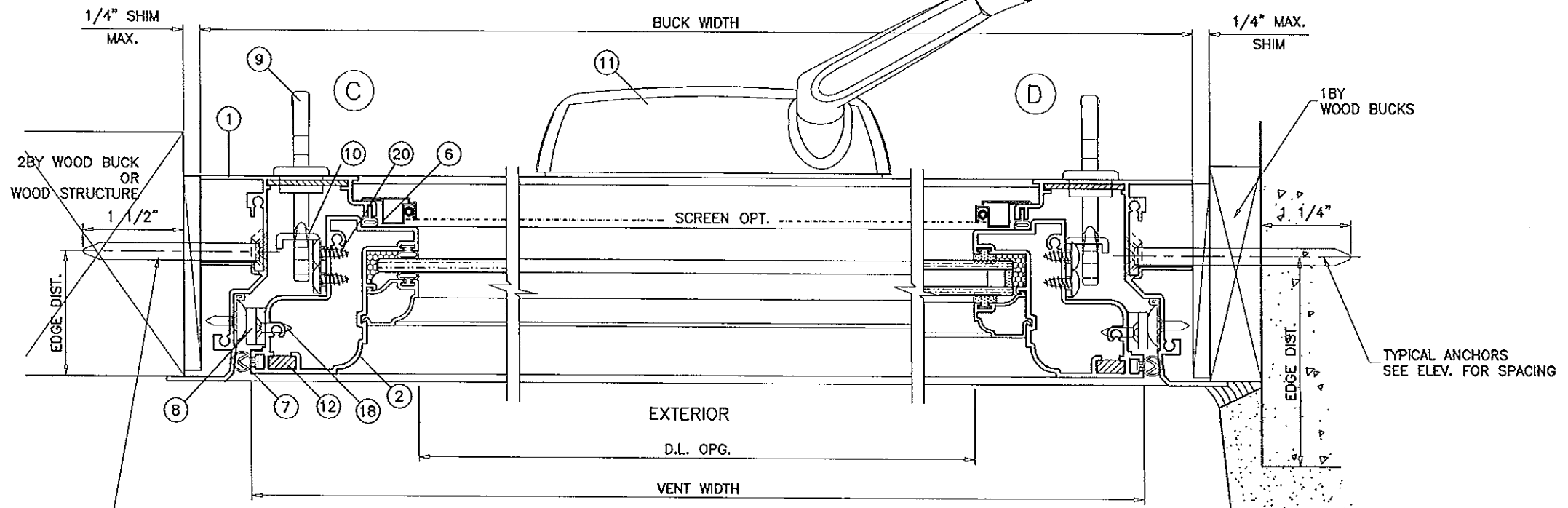
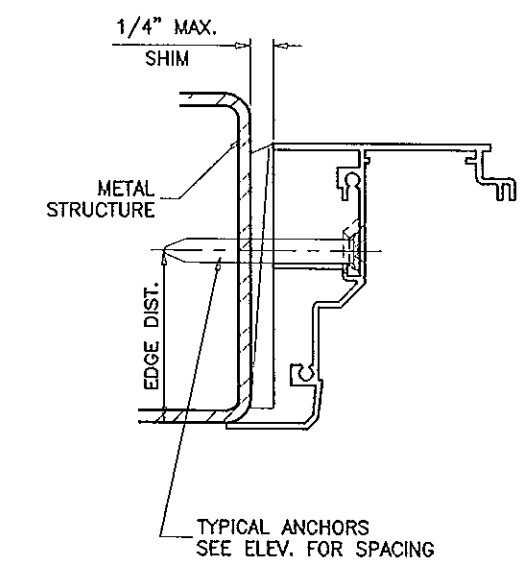
af c
AL-FAROOQ CORPORATION
 ENGINEERS & PRODUCT DEVELOPMENT
 1235 S.W. 87 AVE
 MIAMI, FLORIDA 33174
 TEL. (305) 264-8100 FAX. (305) 262-6978
 COMP-ANL\W10-10AWP

SERIES-1550 ALUMINUM PROJECTED WDW. (N.I.)
AWP WINDOWS AND DOORS, LLC
 8130 N.W. 74TH AVE.
 MEDLEY, FL. 33166
 TEL. (305) 887-2646 FAX (305) 883-1309

no	date	description	by
A	12.23.11	MANUF. NAME REVISED	
B	10.27.14	GENERAL REVISION	
C	02.18.15	REV. PER PER COMMENTS	

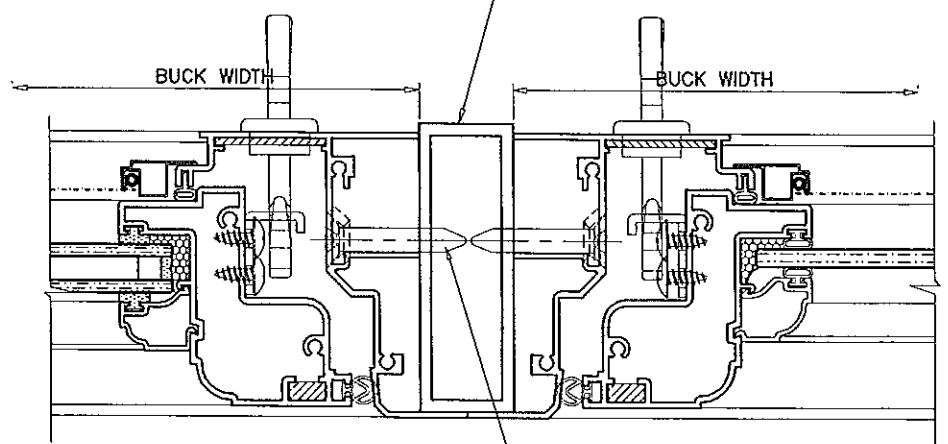
date: 03-11-10
 scale: 1/2" = 1"
 dr. by: HAMID
 chk. by:

drawing no.
W10-10
 sheet 3 of 6



TYPICAL ANCHORS
SEE ELEV. FOR SPACING

MIAMI-DADE COUNTY
APPR.D MULLION
SEE SEPARATE NOA



TYPICAL ANCHORS
SEE ELEV. FOR SPACING

Engr: JAVAD AHMAD
CIVIL
FLA. PE # 70592
C.A.N. 3538

[Signature]
FEB 20 2015

PRODUCT REVISED
as complying with the Florida
Building Code 14-1014.03
Acceptance No. *[Handwritten]*
Expiration Date *[Handwritten]*

By *[Signature]*
Miami Dade Product Control

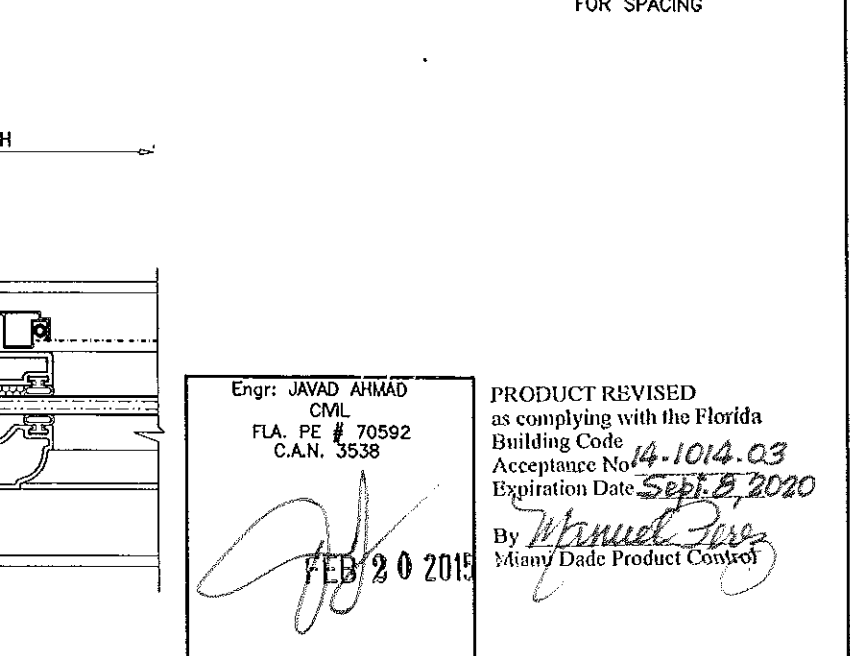
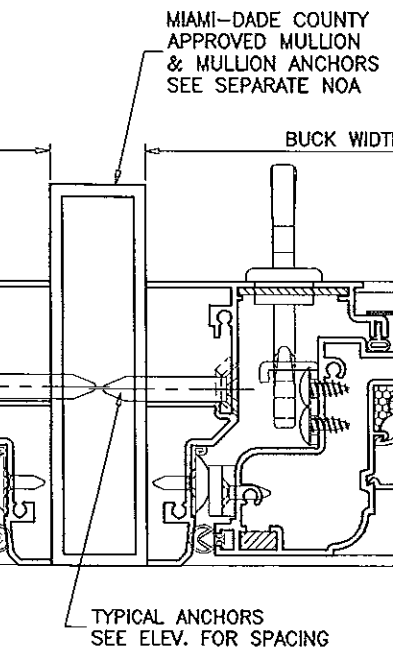
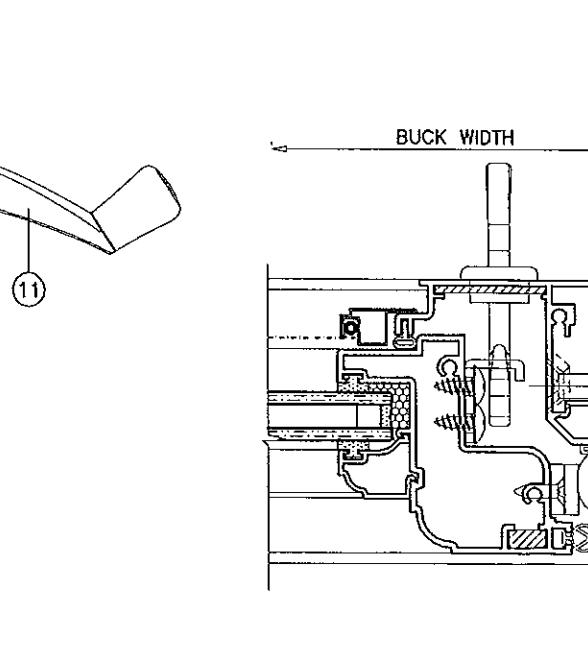
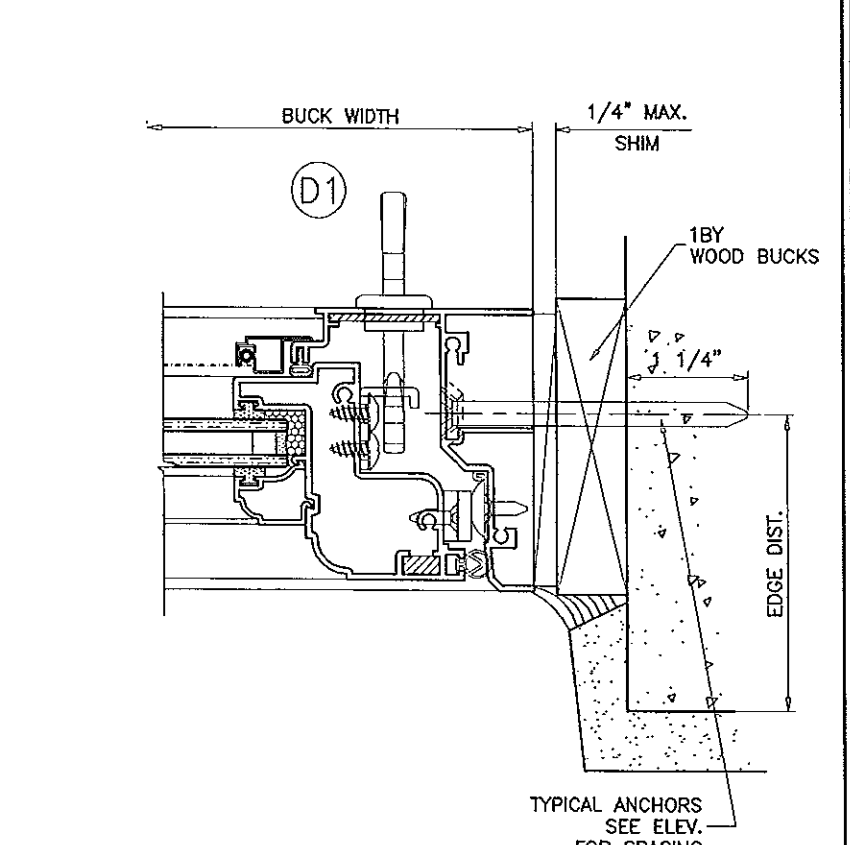
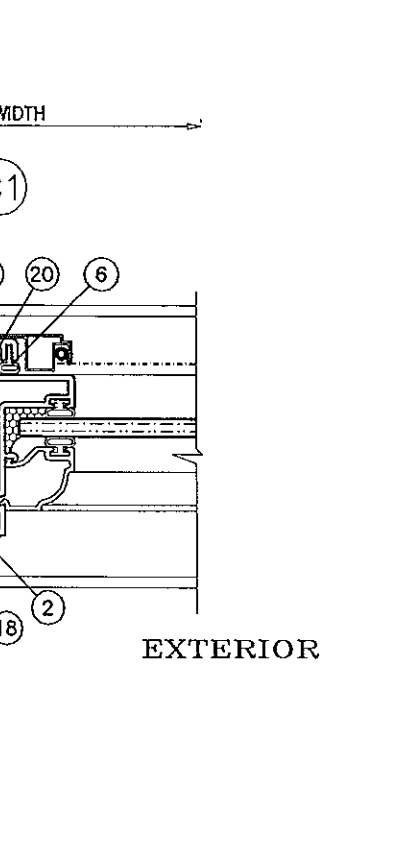
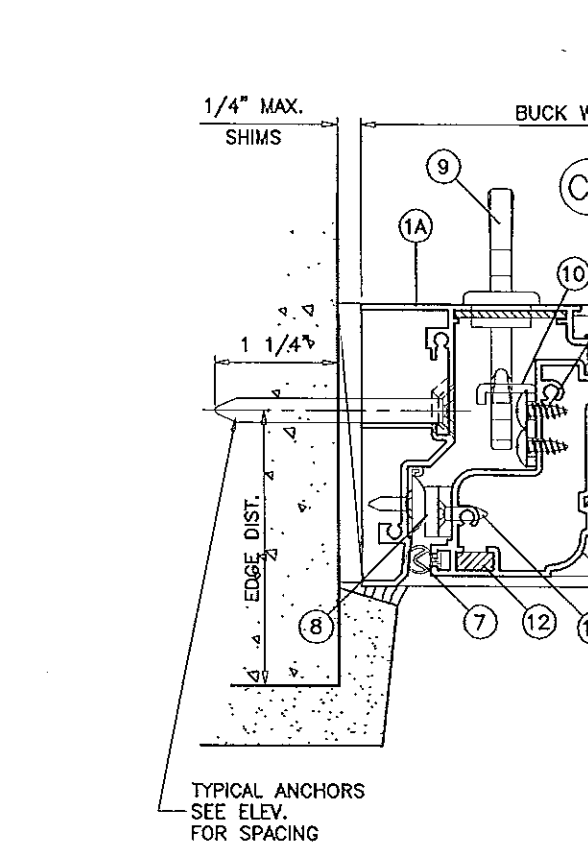
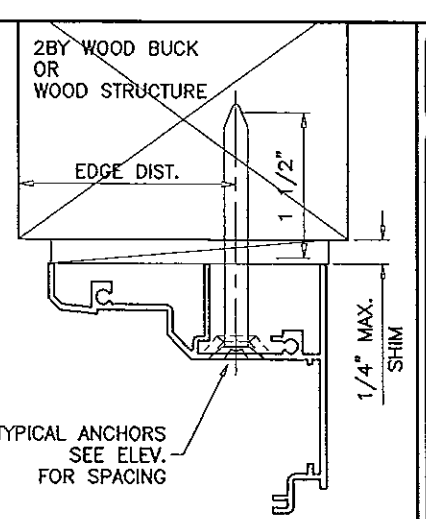
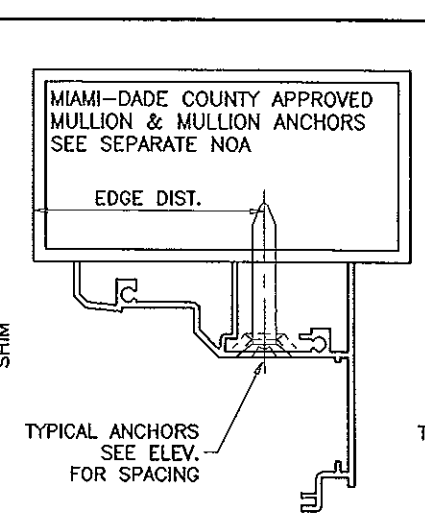
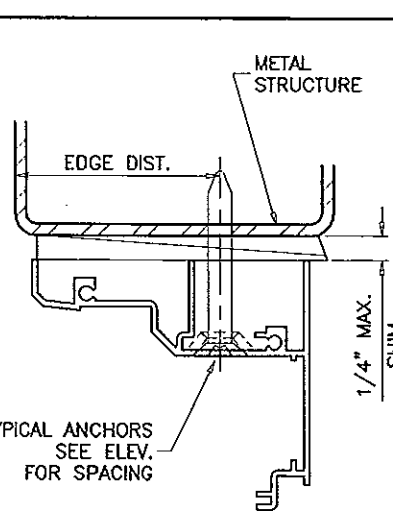
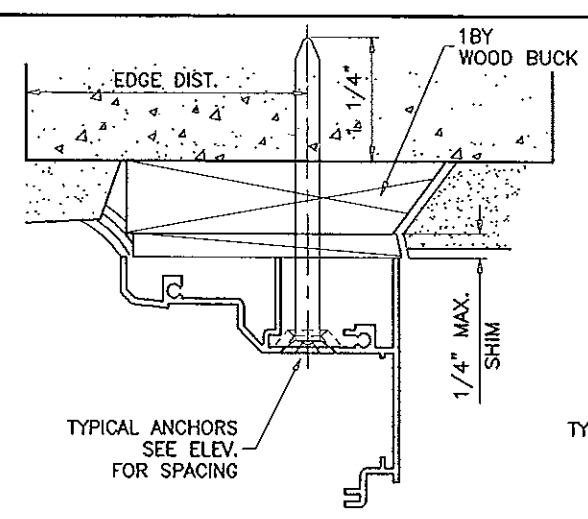
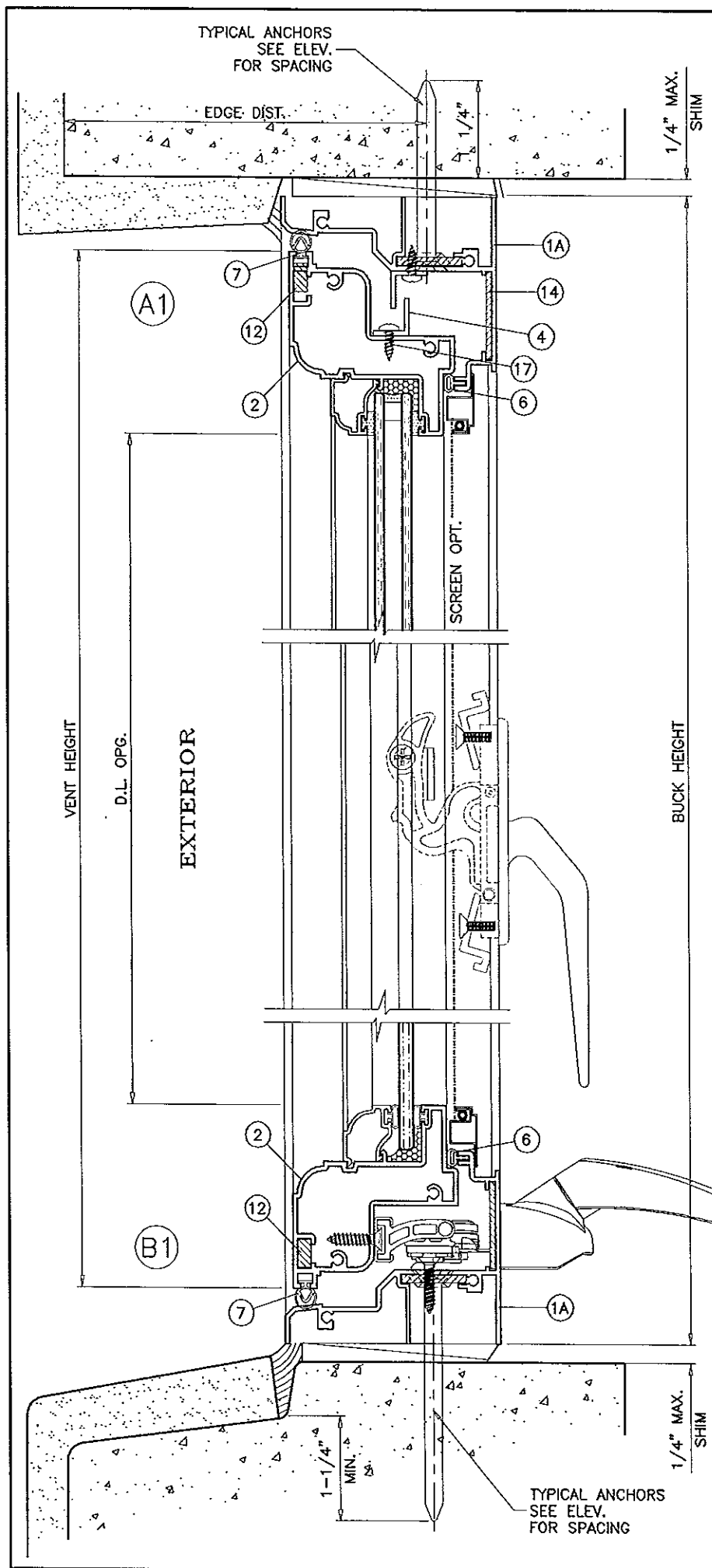
af c
AL-FAROOQ CORPORATION
ENGINEERS & PRODUCT DEVELOPMENT
12345 S.W. 87 AVE
MIAMI, FLORIDA 33174
TEL. (305) 264-8100 FAX. (305) 262-6978
COMP--ANL\W10-10AWP

SERIES-1550 ALUMINUM PROJECTED WDW. (N.I.)
AWP WINDOWS AND DOORS, LLC
8130 N.W. 74TH AVE.
MEDLEY, FL. 33166
TEL. (305) 887-2646 FAX (305) 883-1309

no	date	description	by
A	12.23.11	MANUF. NAME REVISED	
B	10.27.14	GENERAL REVISION	
C	02.18.15	REV. PER PER COMMENTS	

date: 03-11-10
scale: 1/2" = 1"
dr. by: HAMID
chk. by:

drawing no.
W10-10
sheet 4 of 6



Engr: JAVAD AHMAD
 CML
 FLA. PE # 70592
 C.A.N. 3538

[Signature]
 FEB 20 2015

PRODUCT REVISED
 as complying with the Florida
 Building Code
 Acceptance No. 14-1014.03
 Expiration Date Sept. 5, 2020

By *[Signature]*
 Miami Dade Product Control

af c
AL-FAROOQ CORPORATION
 ENGINEERS & PRODUCT DEVELOPMENT
 1235 S.W. 87 AVE
 MIAMI, FLORIDA 33174
 TEL. (305) 264-8100 FAX. (305) 262-6978
 COMP-ANL W10-10AWP

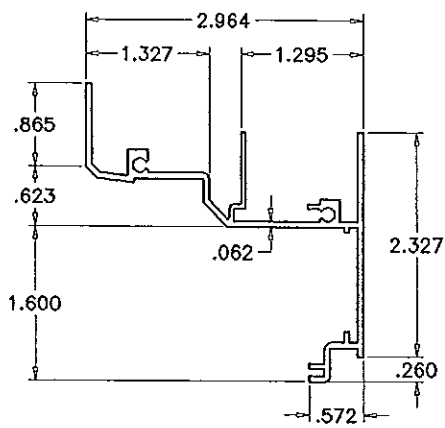
SERIES-1550 ALUMINUM PROJECTED WDW. (N.I.)
AWP WINDOWS AND DOORS, LLC
 8130 N.W. 74TH AVE.
 MEDLEY, FL. 33166
 TEL. (305) 887-2646 FAX (305) 883-1309

NO	DATE	DESCRIPTION	BY
A	12.23.11	MANUF. NAME REVISED	
B	10.27.14	GENERAL REVISION	
C	02.18.15	REV. PER PER COMMENTS	

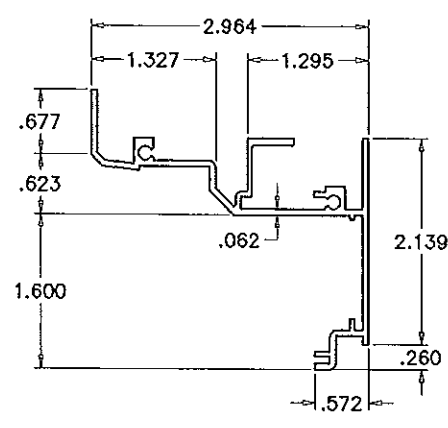
date: 03-11-10
 scale: 1/2" = 1"
 dr. by: HAMID
 chk. by:

drawing no.
W10-10

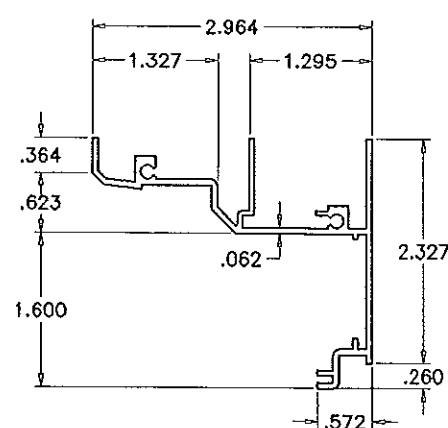
sheet 5 of 6



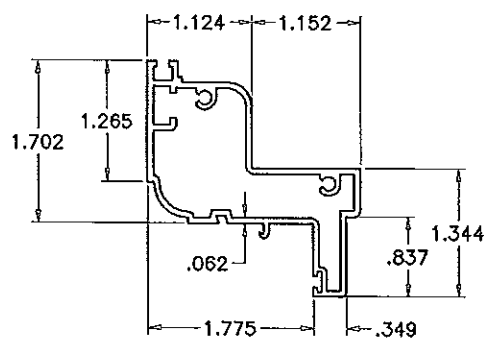
① FLANGE FRAME



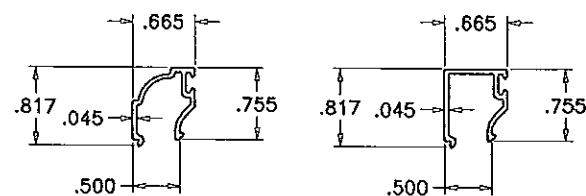
①.1 ALT. FLANGE FRAME



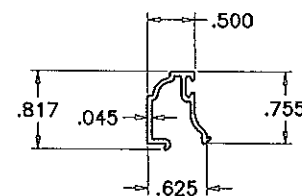
①A FLUSH FRAME



② VENT



③ GLAZING BEADS (MONOLITHIC GLASS)



③A GLAZING BEAD (INSULATING GLASS)

SEALANTS:

ALL FRAME AND VENT CORNERS AND INSTALLATION SCREWS SEALED WITH CLEAR/ALUMINUM COLORED SEALANT.

LOCKS:

SURFACE MOUNT METALLIC LEVER TYPE CAM LOCKS LOCATED AT 7-1/2" FROM BOTTOM AT FRAME JAMBS FASTENED WITH (2) #8-32 X 1/2" FH MS

SURFACE MOUNT METALLIC KEEPERS FACING LOCKS AT VENT EACH FASTENED WITH (3) #10-24 X 1/4" PH MS

OPERATOR:

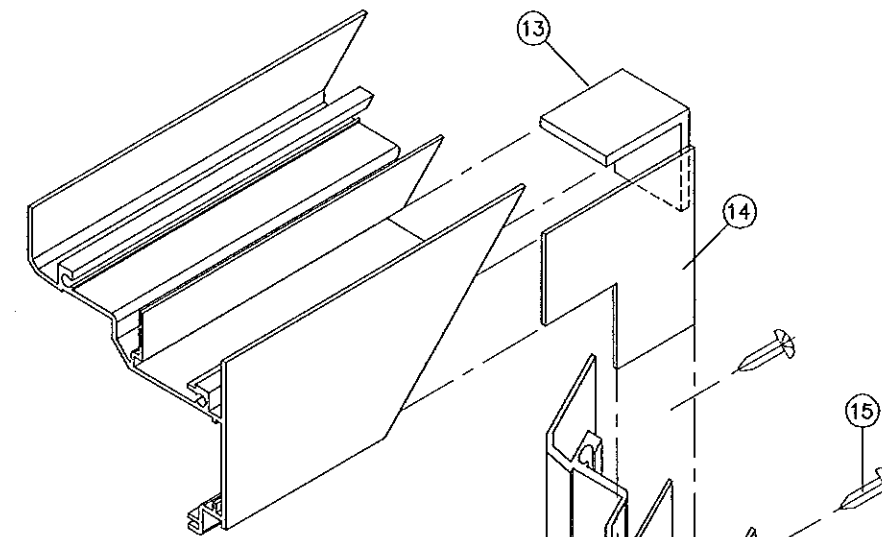
SURFACE MOUNT METALLIC ROTO OPERATOR LOCATED AT CENTER OF FRAME SILL FASTENED TO FRAME WITH (6) #10-24 X 1/2" FH MS

HINGES:

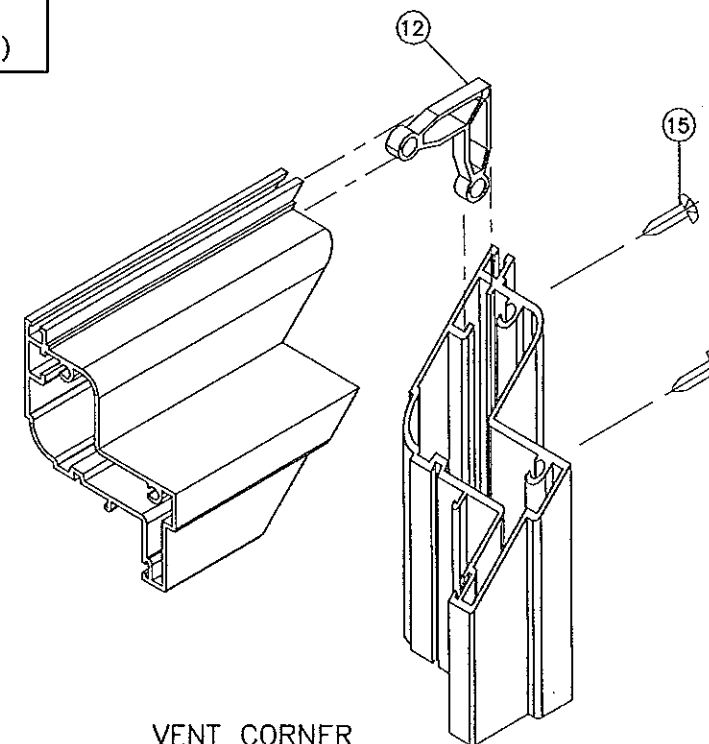
SURFACE MOUNT METALLIC 2 BAR HINGES, LOCATED AT WINDOW FRAME UPPER CORNERS AT 26" FROM BOTTOM FASTENED TO FRAME AND VENT WITH (4) #8 X 1/2" FH SMS

ANTI BLOW OUT CLIPS:

METALLIC ANTI BLOW OUT CLIPS AT FRAME HEAD AND VENT TOP RAIL LOCATED AT 8-5/8" FROM EACH END AND MIDSPAN FASTENED WITH (2) #8 X 1/2" FH SMS



FRAME CORNER



VENT CORNER

af c
AL-FAROOQ CORPORATION
 ENGINEERS & PRODUCT DEVELOPMENT
 1235 S.W. 87 AVE
 MIAMI, FLORIDA 33174
 TEL. (305) 264-8100 FAX. (305) 262-6978
 COMP-ANL\W10-10AWP

SERIES-1550 ALUMINUM PROJECTED WDW. (N.I.)
AWP WINDOWS AND DOORS, LLC
 8130 N.W. 74TH AVE.
 MEDLEY, FL. 33166
 TEL. (305) 887-2646 FAX (305) 883-1309

no	date	by	description
A	12.23.11	MANUF. NAME	REVISED
B	10.27.14	GENERAL	REVISION
C	02.18.15	NO	CHANGE THIS SHEET

date:	03-11-10	scale:	1/2" = 1"
dr. by:	HAMID	chk. by:	

drawing no.
W10-10
 sheet 6 of 6

Engr: JAVAD AHMAD
 CIVIL
 FLA. PE # 70592
 C.A.N. 3538
 FEB 20 2015

PRODUCT REVISED
 as complying with the Florida
 Building Code
 Acceptance No. 14-1014.03
 Expiration Date Sept. 8, 2020
 By *Manuel*
 Miami Dade Product Control