



DEPARTMENT OF REGULATORY AND ECONOMIC RESOURCES
BOARD AND CODE ADMINISTRATION DIVISION

MIAMI-DADE COUNTY
PRODUCT CONTROL SECTION
11805 SW 26 Street, Room 208
Miami, Florida 33175-2474
T (786) 315-2590 F (786) 315-2599

www.miamidade.gov/economy

NOTICE OF ACCEPTANCE (NOA)

Polar King International
4424 New Haven Avenue
Fort Wayne, IN 46803

SCOPE:

This NOA is being issued under the applicable rules and regulations governing the use of construction materials. The documentation submitted has been reviewed and accepted by Miami-Dade County RER-Product Control Section to be used in Miami Dade County and other areas where allowed by the Authority Having Jurisdiction (AHJ).

This NOA shall not be valid after the expiration date stated below. The Miami-Dade County Product Control Section (In Miami Dade County) and/or the AHJ (in areas other than Miami Dade County) reserve the right to have this product or material tested for quality assurance purposes. If this product or material fails to perform in the accepted manner, the manufacturer will incur the expense of such testing and the AHJ may immediately revoke, modify, or suspend the use of such product or material within their jurisdiction. RER reserves the right to revoke this acceptance, if it is determined by Miami-Dade County Product Control Section that this product or material fails to meet the requirements of the applicable building code.

This product is approved as described herein, and has been designed to comply with the High Velocity Hurricane Zone of the Florida Building Code.

DESCRIPTION: Walk-In Cooler / Freezer

APPROVAL DOCUMENT: Drawing No. 16-08, titled "Walk-In Cooler / Freezer", sheets 1 through 7 of 7, prepared by Al-Farooq Corporation, dated 10/21/2016, revision #B dated 04/26/2018, signed and sealed by Javad Ahmad, P.E., on 05/04/2018, bearing the Miami-Dade County Product Control Revision stamp with the Notice of Acceptance number and the expiration date by the Miami-Dade County Product Control Section.

MISSILE IMPACT RATING: Large and Small Missile Impact Resistant

LABELING: Each unit shall bear a permanent label with the manufacturer's name or logo, city, state and the following statement: "Miami-Dade County Product Control Approved", unless otherwise noted herein.

RENEWAL of this NOA shall be considered after a renewal application has been filed and there has been no change in the applicable building code negatively affecting the performance of this product.

TERMINATION of this NOA will occur after the expiration date or if there has been a revision or change in the materials, use, and/or manufacture of the product or process. Misuse of this NOA as an endorsement of any product, for sales, advertising or any other purposes shall automatically terminate this NOA. Failure to comply with any section of this NOA shall be cause for termination and removal of NOA.

ADVERTISEMENT: The NOA number preceded by the words Miami-Dade County, Florida, and followed by the expiration date may be displayed in advertising literature. If any portion of the NOA is displayed, then it shall be done in its entirety.

INSPECTION: A copy of this entire NOA shall be provided to the user by the manufacturer or its distributors and shall be available for inspection at the job site at the request of the Building Official.

This NOA **revises NOA #16-1018.10** and consists of this page 1, evidence submitted pages E-1 & E-2 as well as approval document mentioned above.

The submitted documentation was reviewed by **Helmy A. Makar, P.E., M.S.**



Helmy A. Makar
07/19/2018

NOA No. 18-0516.05
Expiration Date: 07/13/2022
Approval Date: 07/19/2018
Page 1

NOTICE OF ACCEPTANCE: EVIDENCE SUBMITTED

1. EVIDENCE SUBMITTED UNDER PREVIOUS APPROVAL #16-1018.10

A. DRAWINGS

1. *Drawing No. 16-08, titled "Walk-In Cooler / Freezer", sheets 1 through 7 of 7, prepared by Al-Farooq Corporation, dated 10/21/2016, revision #A dated 06/15/2017, signed and sealed by Javad Ahmad, P.E., on 06/26/2017.*

B. TESTS

1. *Test report on Uniform Static air Pressure Test, Large Missile Impact Test, Cyclic Load Test, on Reinforced Fiberglass Sheathed Polyurethane Foam Filled Modular Panel Walk-in Coolers / Freezers, prepared by Intertek/Architectural Testing, Report No. F8379.01-109-18, dated 10/11/2016, signed and sealed by Joseph A. Reed, P.E.*
2. *Test report on Uniform Static air Pressure Test, Large Missile Impact Test, Cyclic Load Test, on Reinforced Fiberglass Sheathed Polyurethane Foam Filled Modular Panel Walk-in Coolers / Freezers, prepared by Intertek/Architectural Testing, Report No. F8375.01-109-18, dated 10/11/2016, signed and sealed by Joseph A. Reed, P.E.*
3. *Test report on Uniform Static air Pressure Test, Large Missile Impact Test, Cyclic Load Test, on Reinforced Fiberglass Sheathed Polyurethane Foam Filled Modular Panel Walk-in Coolers / Freezers, prepared by Intertek/Architectural Testing, Report No. F8373.01-109-18, dated 10/11/2016, signed and sealed by Joseph A. Reed, P.E.*
4. *Test report on Racking Load Test on Reinforced Fiberglass Sheathed Polyurethane Foam Filled Modular Panel Walk-in Coolers / Freezers, prepared by Intertek/Architectural Testing, Report No. G7444.01-119-18, dated 05/02/2017, signed and sealed by Joseph A. Reed, P.E.*
5. *Test report on Gravity Load on Reinforced Fiberglass Sheathed Polyurethane Foam Filled Modular Panel Walk-in Coolers / Freezers, prepared by Intertek/Architectural Testing, Report No. G7444.02-119-18, dated 04/06/2017, signed and sealed by Joseph A. Reed, P.E.*

C. CALCULATIONS

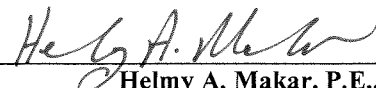
1. *Calculation titled "Fiberglass Walk-In Cooler/Freezer Large Missile-Impact", dated January 31, 2017, 9 sheets, prepared by Al-Farooq Corporation, signed and sealed by Javad Ahmad, P.E., on 05/10/2017.*

D. QUALITY ASSURANCE

1. *By Miami-Dade County Department of Regulatory and Economic Resources.*

E. MATERIAL CERTIFICATIONS

1. *None.*



Helmy A. Makar, P.E., M.S.
Product Control Section Supervisor
NOA No. 18-0516.05
Expiration Date: 07/13/2022
Approval Date: 07/19/2018

NOTICE OF ACCEPTANCE: EVIDENCE SUBMITTED

2. NEW EVIDENCE SUBMITTED

A. DRAWINGS

1. *Drawing No. 16-08, titled "Walk-In Cooler / Freezer", sheets 1 through 7 of 7, prepared by Al-Farooq Corporation, dated 10/21/2016, revision #B dated 04/26/2018, signed and sealed by Javad Ahmad, P.E., on 05/04/2018.*

B. TESTS

1. *None.*

C. CALCULATIONS

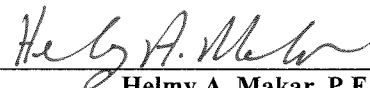
1. *None.*

D. QUALITY ASSURANCE

1. *By Miami-Dade County Department of Regulatory and Economic Resources.*

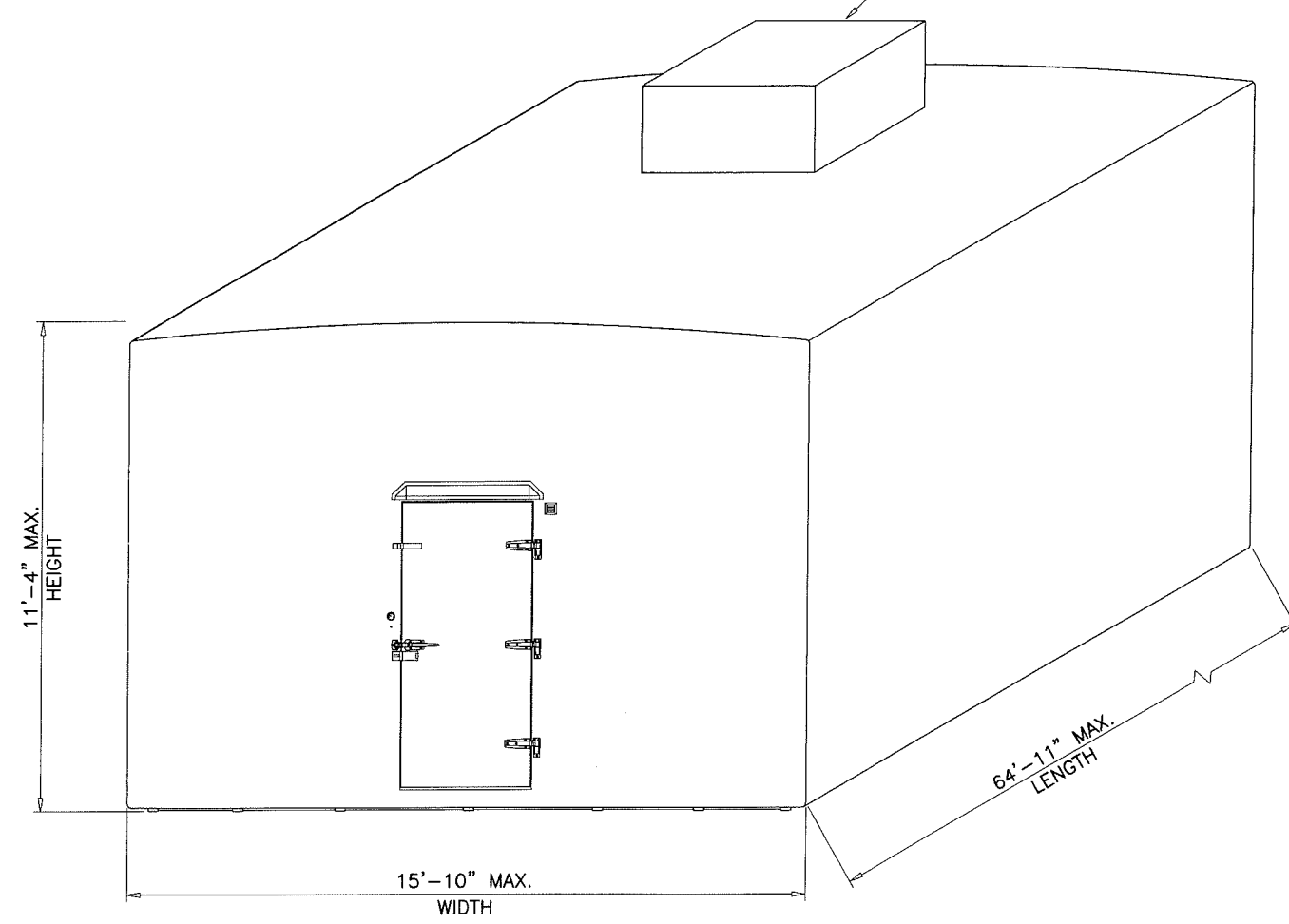
E. MATERIAL CERTIFICATIONS

1. *None.*



Helmy A. Makar, P.E., M.S.
Product Control Section Supervisor
NOA No. 18-0516.05
Expiration Date: 07/13/2022
Approval Date: 07/19/2018

CONDENSING UNIT
 MAX. SIZE = 29" X 47"
 MAX. WEIGHT = 266 Lbs.



SEAMLESS FIBERGLASS WALK-IN COOLER & FREEZER

URETHANE INSULATION COMPLETELY ENCASED IN FIBERGLASS.
 INSULATION TO BE RIGID CLOSED CELL POLYISOCYANURATE FOAM
 CHEMICALLY BONDED TO INTERIOR AND EXTERIOR FIBERGLASS TO
 FORM A ONE-PIECE STRUCTURE.

WALLS: 0.15" EXTERIOR AND 0.15" INTERIOR REINFORCED FIBERGLASS
 4-3/16" ROOF: 0.15" EXTERIOR AND 0.15" INTERIOR REINFORCED FIBERGLASS
 6-1/2" ROOF: 0.31" EXTERIOR AND 0.25" INTERIOR REINFORCED FIBERGLASS
 CONSISTING OF:
 FIBERGLASS SPRAY GUN ROVING (207 YARDS PER POUND YIELD) IN GENERAL PURPOSE
 POLYESTER RESIN AT 33%-34% GLASS CONTENT WITH NO FILLER.
 4" 1.5 OZ WOVEN GLASS CLOTH

FRAME IS PERMANENTLY ATTACHED TO FIBERGLASS STRUCTURE WITH FIBERGLASS
 WRAPPED OVER THE STEEL ANGLES

THE STRUCTURE CAN BE FIXED TO AN ENGINEERED CEMENT PAD WITH ANCHOR BOLTS.

THIS PRODUCT HAS BEEN DESIGNED AND TESTED TO COMPLY WITH THE
 REQUIREMENTS OF THE 2017 (6TH EDITION) FLORIDA BUILDING CODE
 INCLUDING HIGH VELOCITY HURRICANE ZONE (HVHZ).

THIS PRODUCT CONTROL APPROVAL IS FOR THE WALK-IN AS SHOWN ON
 THESE APPROVED DRAWINGS.
 UPLIFT, OVERTURNING, FOUNDATIONS, FLOOR SLAB AND OTHER ELEMENTS
 SHALL BE DESIGNED BY A REGISTERED PROFESSIONAL ENGINEER AND
 REVIEWED BY THE STRUCTURAL PLANS EXAMINER OF THE CORRESPONDING
 BUILDING DEPARTMENT.

ALL ELECTRICAL, MECHANICAL DETAILS AND FIRE RATING PROVISIONS ARE
 NOT PART OF THIS APPROVAL AND SHALL BE PREPARED BY A REGISTERED
 PROFESSIONAL ENGINEER AND REVIEWED BY CORRESPONDING BUILDING
 DEPARTMENT.

STRUCTURAL STEEL SHALL CONFORM TO ASTM DESIGNATION A-36
 GALVANIZED WITH A COATING DESIGNATION OF G90 MINIMUM.
 MIN. Y.S. = 51,151 PSI.

POLYURETHANE SHALL BE RIGID FOAM MIN. DENSITY #2 C.F.
 MAX. FLAME SPREAD RATING < 25 AS PER ASTM E-84
 SMOKE DEVELOPED INDEX < 185
 SPONTANEOUS-IGNITION TEMPERATURE: 600-800F

MATERIALS INCLUDING BUT NOT LIMITED TO STEEL/METAL SCREWS, THAT
 COME INTO CONTACT WITH OTHER DISSIMILAR MATERIALS SHALL MEET THE
 REQUIREMENTS OF THE 2017 FLORIDA BLDG. CODE & ADOPTED STANDARDS.

DESIGN IS BASED ON TESTING IN ACCORDANCE WITH FLORIDA BUILDING CODE
 LARGE MISSILE IMPACT TEST, TAS 201-94.
 CYCLIC WIND PRESSURE TEST, TAS 203-94.
 STATIC AIR PRESSURE TEST, TAS 202.
 ASTM E72 FOR COMPONENT RACKING
 24 HOUR GRAVITY LOAD TEST
 (AIR AND WATER INFILTRATION WERE NOT TESTED)

THIS PRODUCT APPROVAL DOCUMENT IS GENERIC AND DOES NOT PROVIDE
 INFORMATION FOR A SITE SPECIFIC PROJECT.

WALK-IN TO BE INSTALLED AS PER MANUFACTURER'S INSTALLATION
 INSTRUCTIONS.

TYPICAL ELEVATION

5" MIN. THK. WALLS
 4-3/16" MIN. THK. ROOF
 4-3/8" MIN. THK. DOOR LEAF

MAXIMUM DESIGN LOAD RATING = + 70.0 PSF
 WALK-IN MAX. LENGTH = 64'-11" - 70.0 PSF
 WALK-IN MAX. WIDTH = 9'-5"
 WALK-IN MAX. HEIGHT = 11'-4"

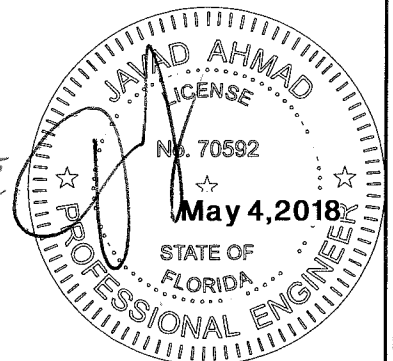
5" MIN. THK. WALLS
 6-1/2" MIN. THK. ROOF
 4-3/8" MIN. THK. DOOR LEAF

MAXIMUM DESIGN LOAD RATING = + 70.0 PSF
 WALK-IN MAX. LENGTH = 64'-11" - 70.0 PSF
 WALK-IN MAX. WIDTH = 15'-10"
 WALK-IN MAX. HEIGHT = 11'-4"

MAX. RACKING LOAD (ROOF PANELS) = 325 Lbs./LIN. FT. OF PANEL LENGTH
 MAX. RACKING LOAD (WALL PANELS) = 640 Lbs./LIN. FT. OF PANEL LENGTH

PRODUCT REVISED
 as complying with the Florida
 Building Code
 Acceptance No 18-0516.05
 Expiration Date 07/13/2022

By *Heba A. Moh*
 Miami District Product Control



af c

AL-FAROOQ CORPORATION
 ENGINEERS & PRODUCT DEVELOPMENT
 9360 SUNSET DRIVE, SUITE 220
 MIAMI, FLORIDA 33173 (C.A.N. 3538)
 TEL. (305) 264-8100 FAX. (305) 262-6978

COOLER 16-08PK

FIBERGLASS WALK-IN COOLER @ FREEZER

Polar King
 INTERNATIONAL INC.
 4424 New Haven Ave.
 Fort Wayne, IN 46803
 Ph: (260) 428-2530 Fax: (260) 428-2533

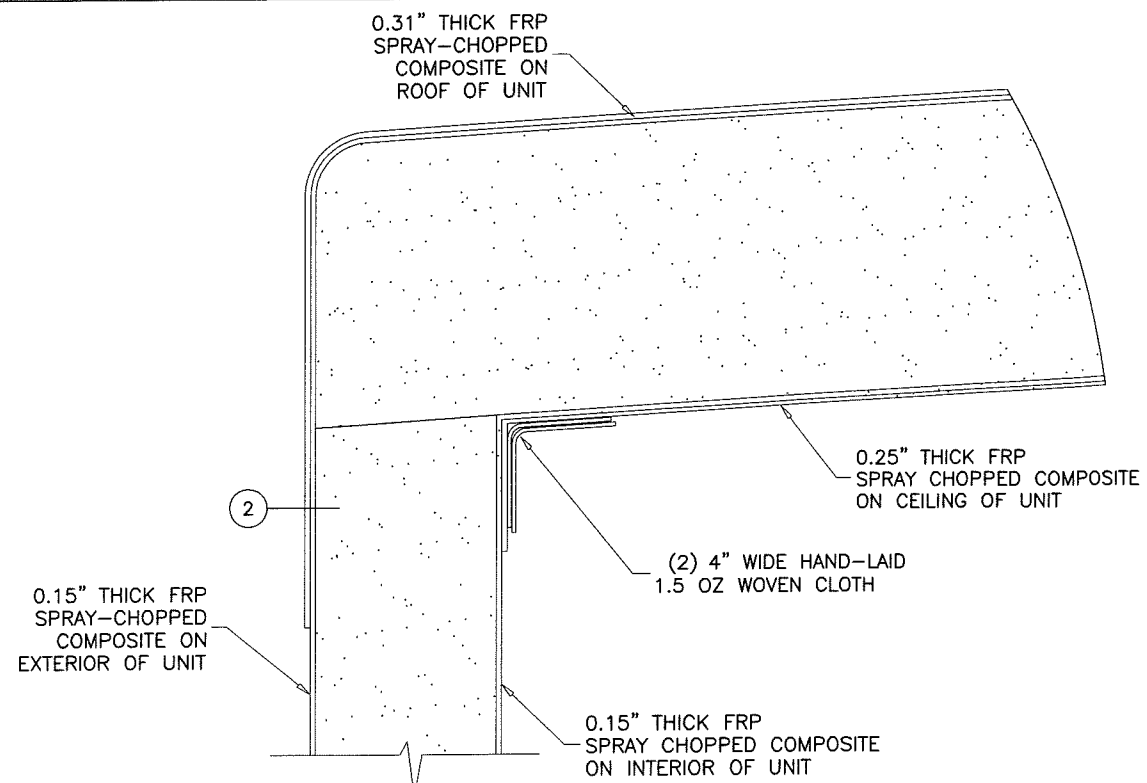
no	date	description	by
A	06.15.17	REV. PER RER COMMENTS	
B	04.26.18	UPDATED TO 2017 FBC	

revisions:

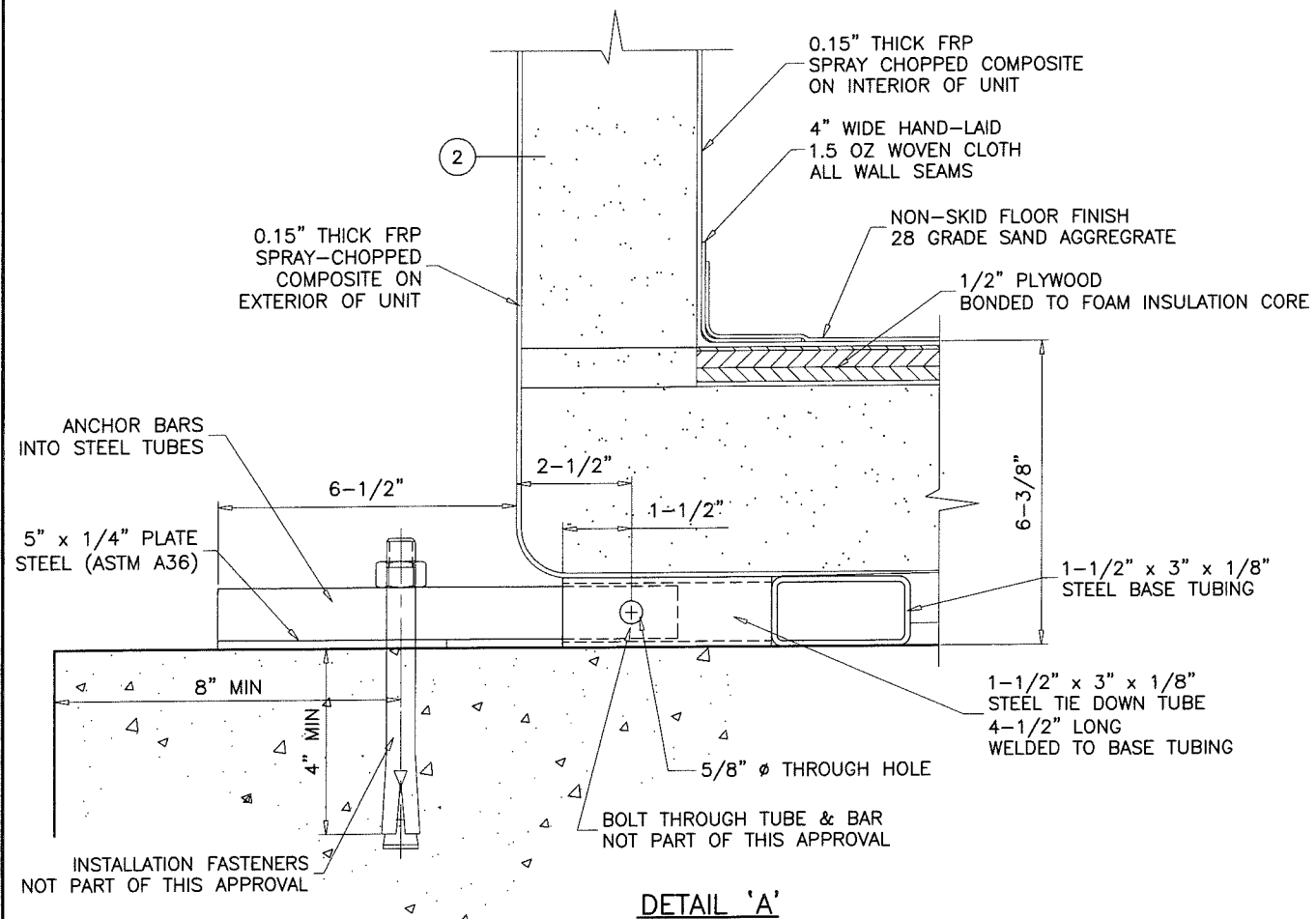
date: 10-21-16
 scale: --
 dr. by: TARIQ
 chk. by:

drawing no.
16-08

sheet 1 of 7

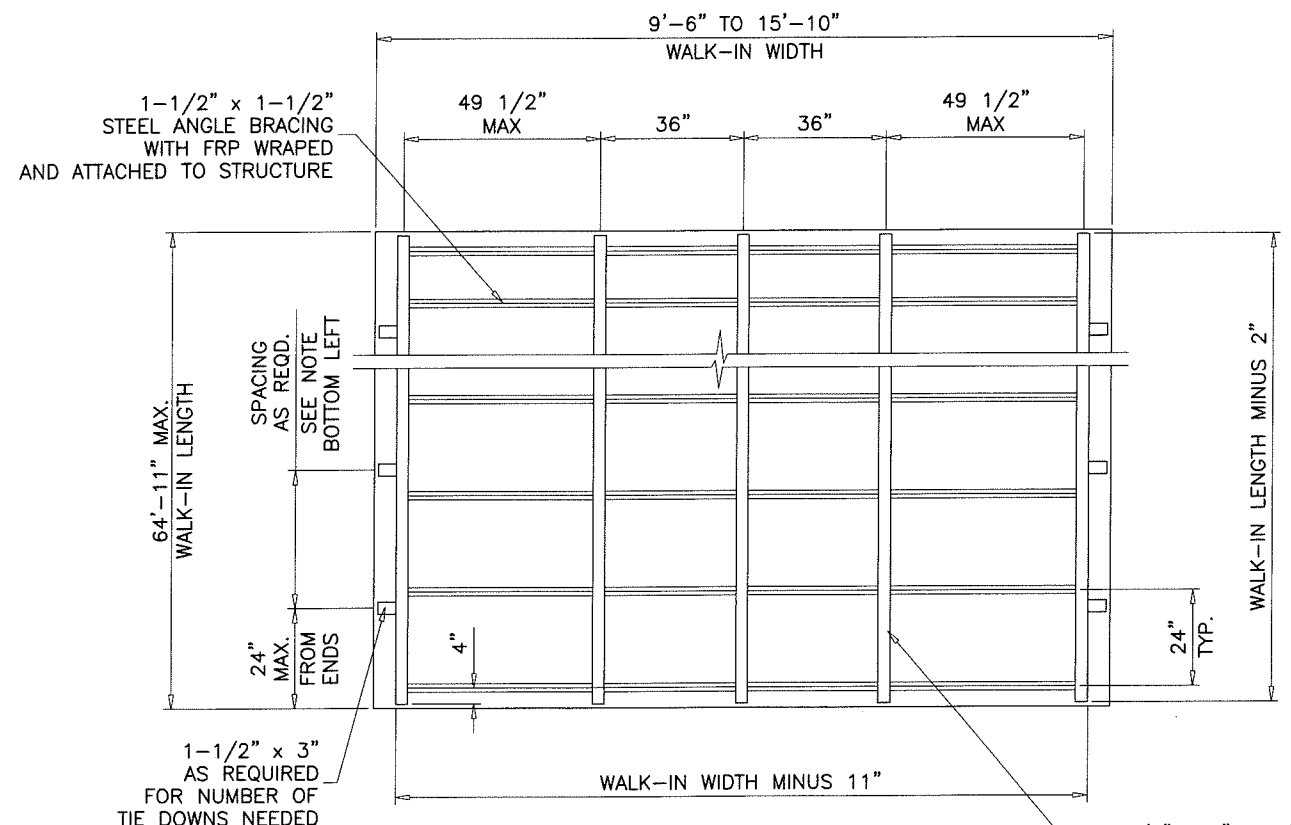
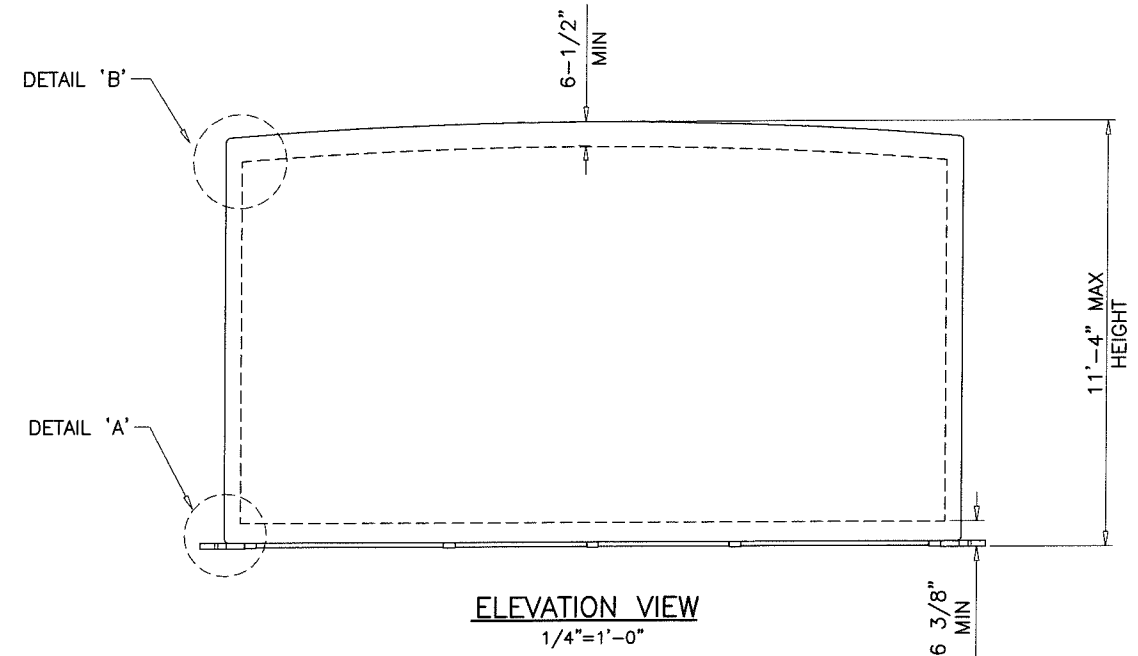


DETAIL 'B'
1/4" = 1"



DETAIL 'A'
1/4" = 1"

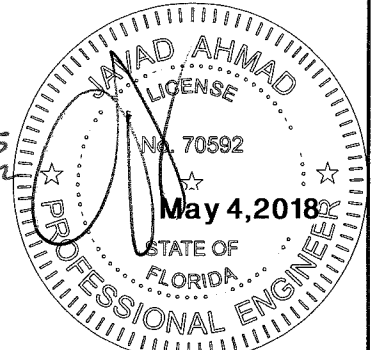
WALK-IN COOLER INSTALLATION BY OTHERS FLOOR SLAB AND SLAB FASTENERS SHALL BE DESIGNED BY A REGISTERED PROFESSIONAL ENGINEER AND REVIEWED BY THE STRUCTURAL PLANS EXAMINER OF THE CORRESPONDING BUILDING DEPARTMENT.



BOTTOM VIEW
1/4" = 1'-0"

(BUILT-IN STEEL FRAME AT BASE)

PRODUCT REVISED as complying with the Florida Building Code
 Acceptance No 18-0516.05
 Expiration Date 07/13/2022
 By *Heba A. Maw*
 Miami Data Product Control



5" THICK WALLS
 6-1/2" THICK ROOF
 FOR WALK-INS 9'-5" TO 15'-10" WIDE

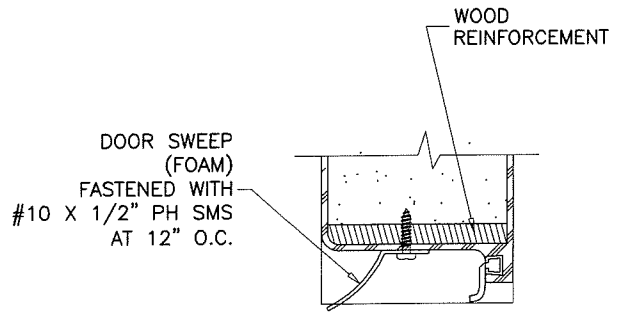
af c
AL-FAROOQ CORPORATION
 ENGINEERS & PRODUCT DEVELOPMENT
 9360 SUNSET DRIVE, SUITE 220
 MIAMI, FLORIDA 33173
 TEL. (305) 264-8100 FAX. (305) 262-6978
 COOLER 16-08PK

FIBERGLASS WALK-IN COOLER @ FREEZER
Polar King
 INTERNATIONAL INC.
 4424 New Haven Ave.
 Fort Wayne, IN 46803
 Ph: (260) 428-2530 Fax: (260) 428-2533

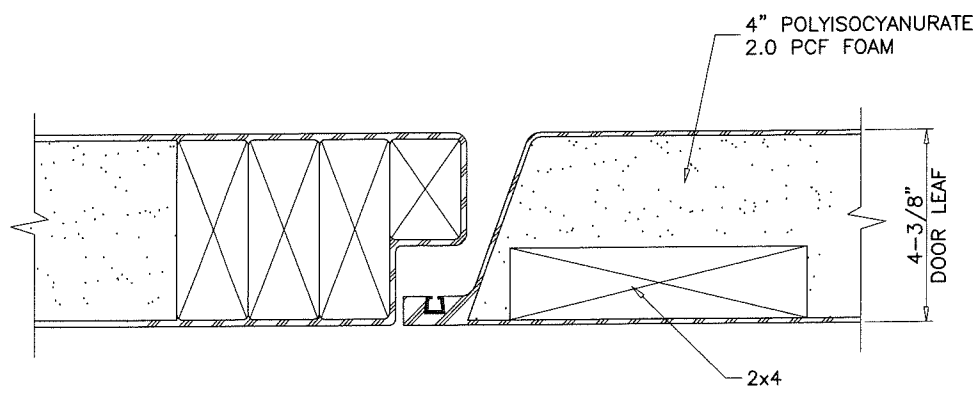
no	date	description
A	06.15.17	REV. PER PER COMMENTS
B	04.26.18	NO CHANGE THIS SHEET

date:	10-21-16
scale:	-
dr. by:	TARIQ
chk. by:	

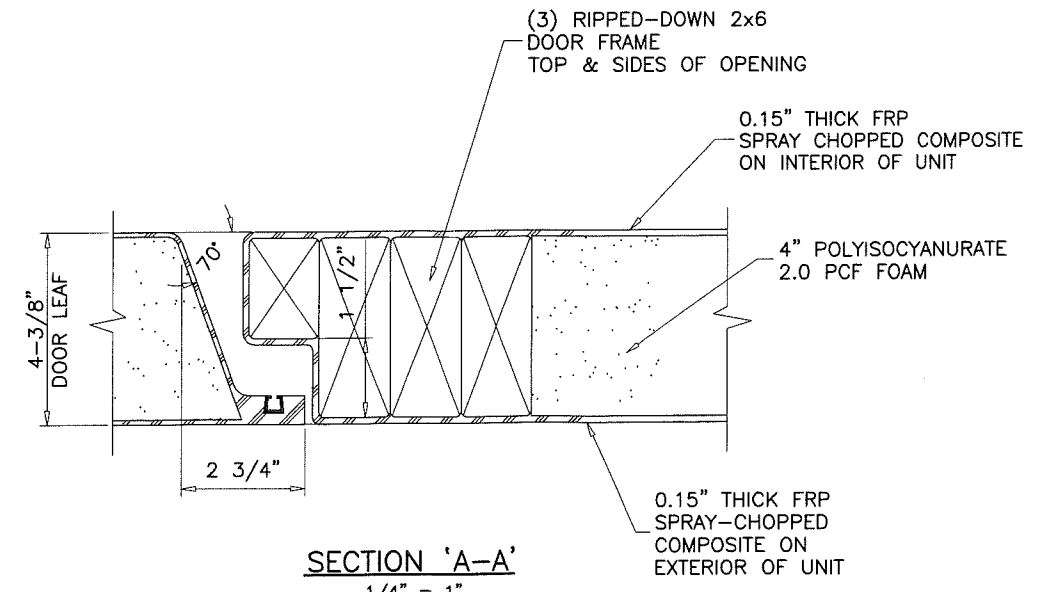
drawing no.
16-08
 sheet 3 of 7



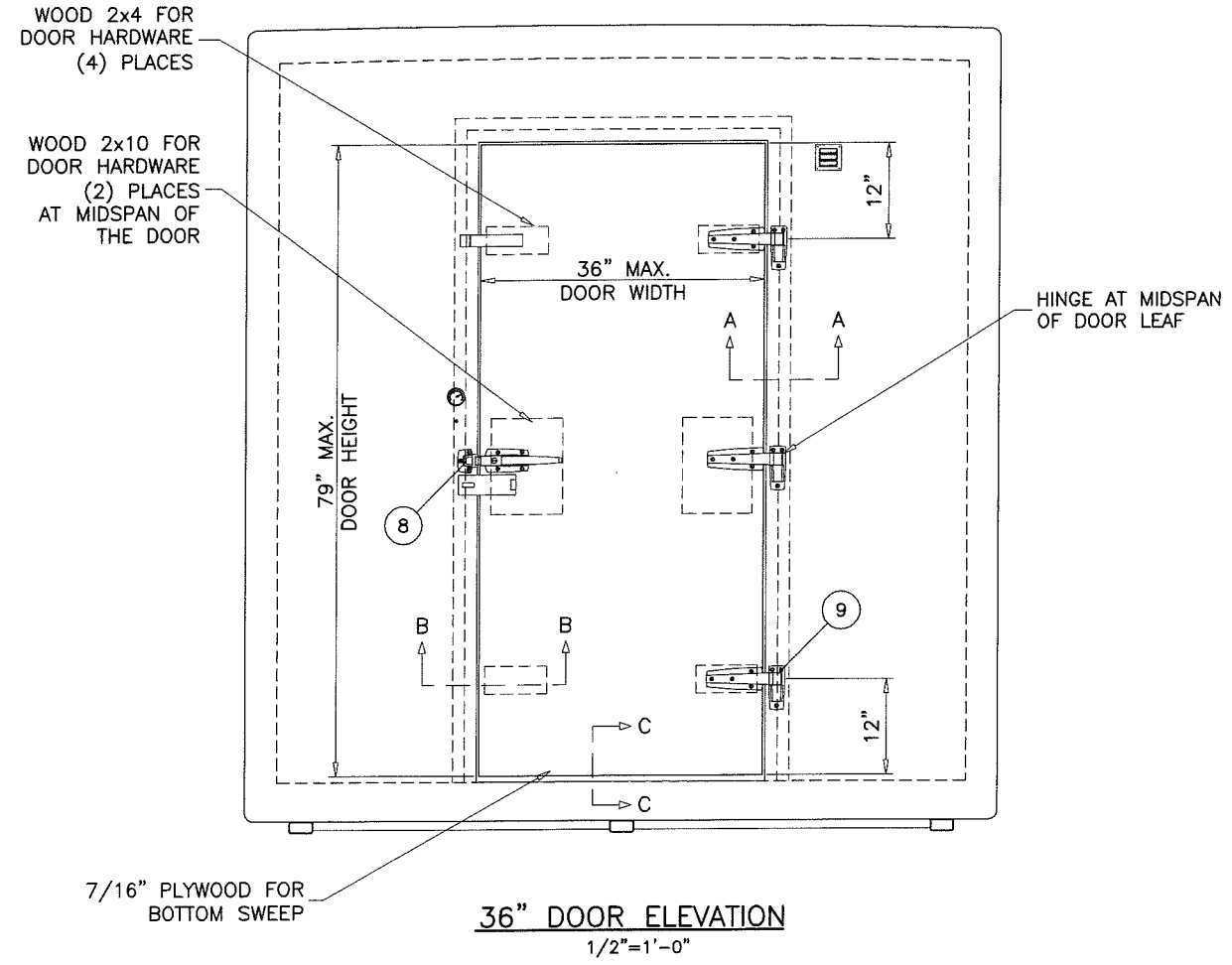
SECTION 'C-C'
1/4" = 1"



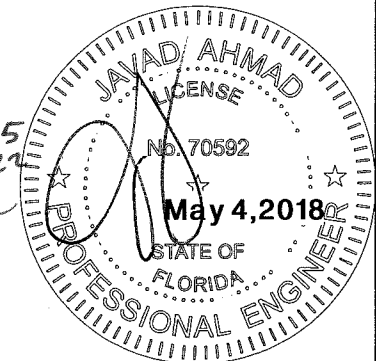
SECTION 'B-B'
1/4" = 1"



SECTION 'A-A'
1/4" = 1"



PRODUCT REVISED
as complying with the Florida
Building Code
Acceptance No. 18-0516.05
Expiration Date 07/13/2022
By *Helga A. Miller*
Miami Door Product Control



af c
AL-FAROOQ CORPORATION
ENGINEERS & PRODUCT DEVELOPMENT
9360 SUNSET DRIVE, SUITE 220
MIAMI, FLORIDA 33173
TEL. (305) 264-8100 FAX. (305) 262-6978
(C.A.N. 3538)

FIBERGLASS WALK-IN COOLER @ FREEZER
Polar King
INTERNATIONAL INC.
4424 New Haven Ave.
Fort Wayne, IN 46803
Ph: (260) 428-2530 Fax: (260) 428-2533

no	date	description
A	06.15.17	REV. PER PER COMMENTS
B	04.26.18	NO CHANGE THIS SHEET

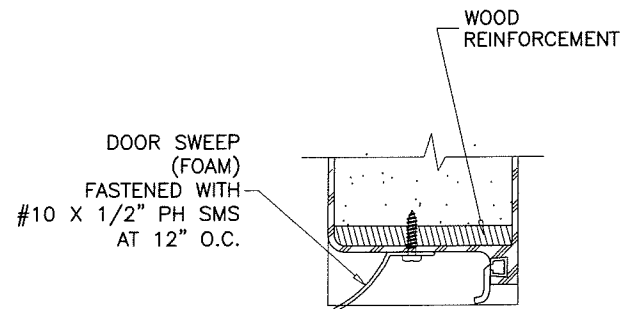
revisions:

date: 10-21-16
scale: -
dr. by: TARIQ
chk. by:

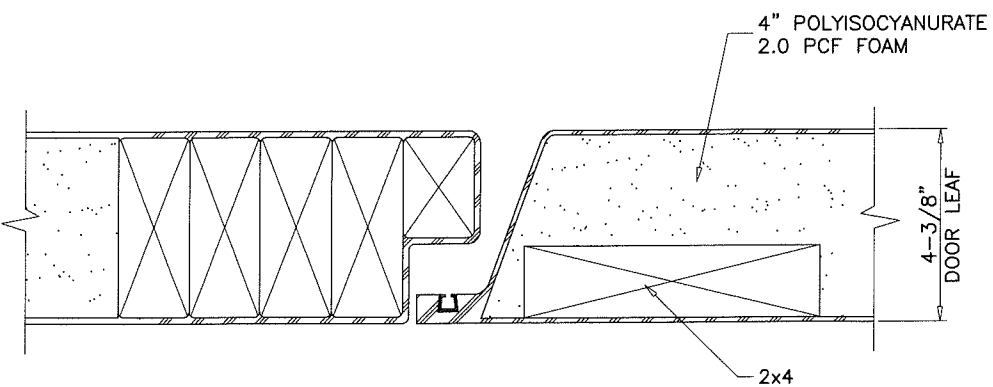
drawing no.
16-08

sheet 4 of 7

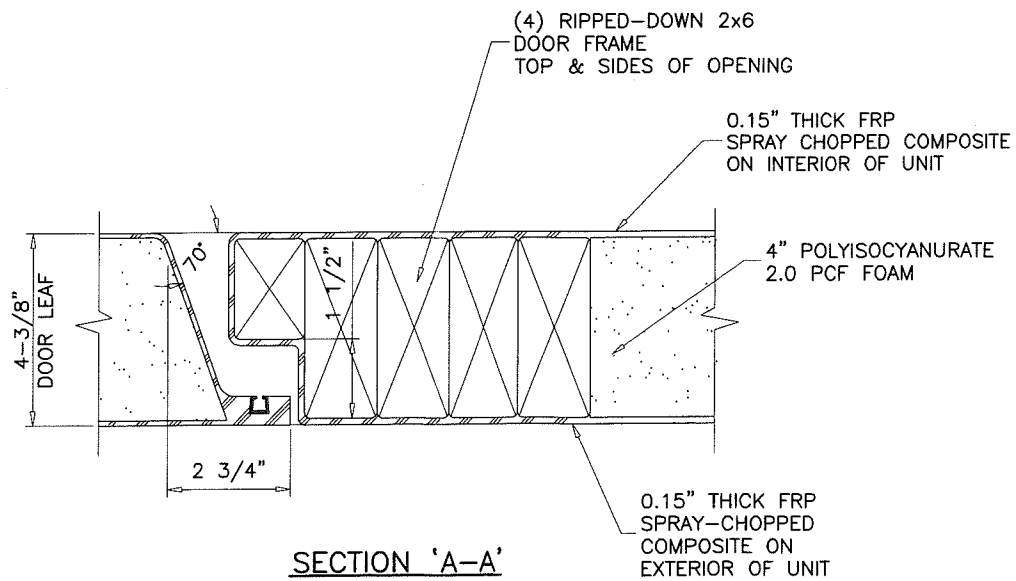
COOLER\16-08PK



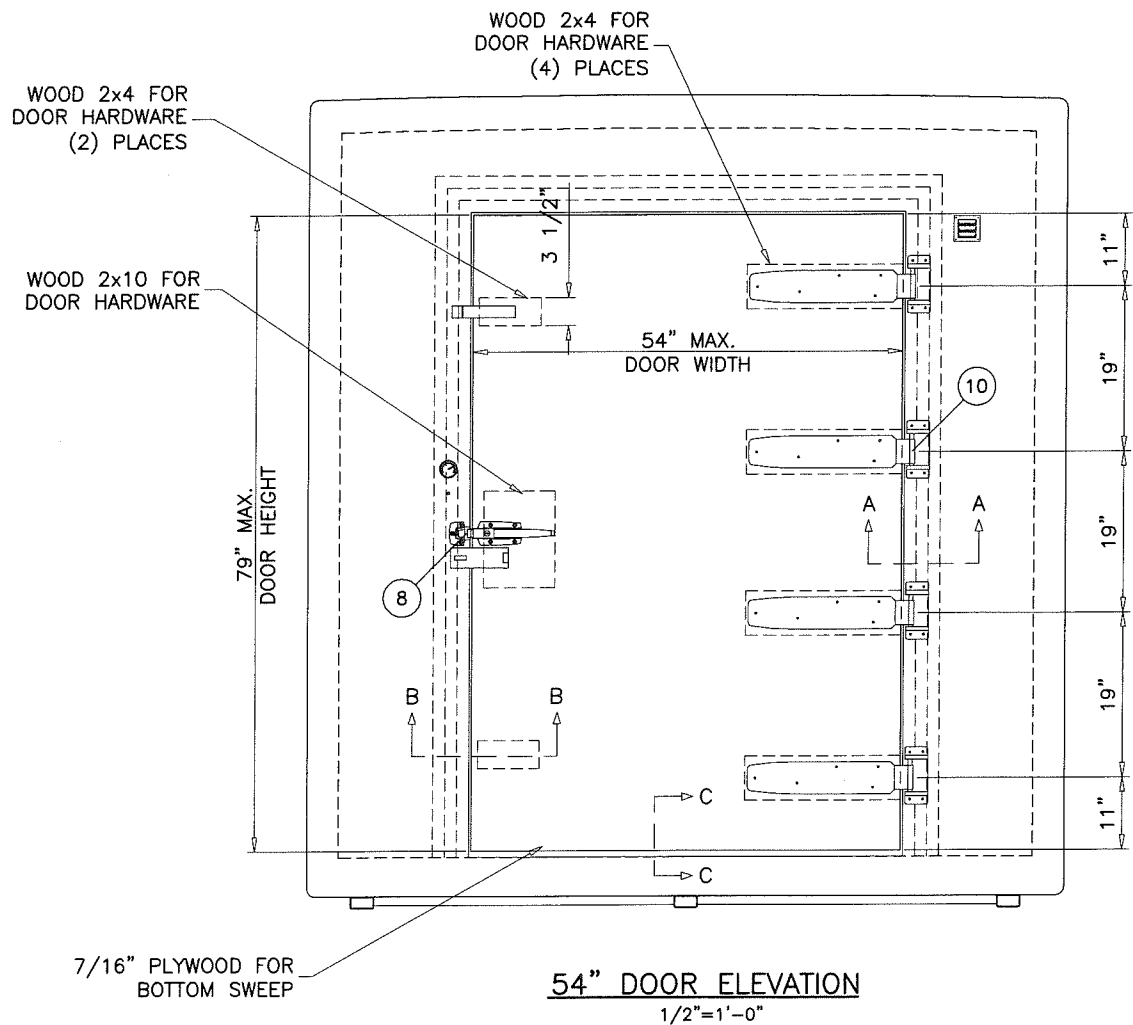
SECTION 'C-C'
1/4" = 1"



SECTION 'B-B'
1/4" = 1"



SECTION 'A-A'
1/4" = 1"



54" DOOR ELEVATION
1/2" = 1'-0"

PRODUCT REVISED
as complying with the Florida
Building Code
Acceptance No. 18-0516.05
Expiration Date 07/13/2022
By *Heba A. M...*
Miami Door Product Control



afc

AL-FAROOQ CORPORATION
ENGINEERS & PRODUCT DEVELOPMENT
9360 SUNSET DRIVE, SUITE 220
MIAMI, FLORIDA 33173 (C.A.N. 3538)
TEL. (305) 264-8100 FAX. (305) 262-6978

FIBERGLASS WALK-IN COOLER @ FREEZER



Polar King
INTERNATIONAL INC.
4424 New Haven Ave.
Fort Wayne, IN 46803
Ph: (260) 428-2530 Fax: (260) 428-2533

no.	date	by	description
A	06.15.17		REV. PER RER COMMENTS
B	04.26.18		NO CHANGE THIS SHEET

date: 10-21-16
scale: -
dr. by: TARIQ
chk. by:

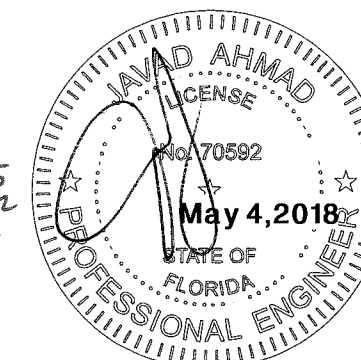
drawing no.
16-08

sheet 5 of 7

COOLER 16-08PK

ITEM #	PART #	REQD.	DESCRIPTION	MATERIAL	MANF./SUPPLIER/REMARKS
1	-	-	INTERIOR AND EXTERIOR SKIN	FIBERGLASS	SEE SHEET 1
2	-	-	WALK-IN INSULATION	POLYISOCYANURATE	ELFOAM, (SEE SHEET 1)
3	-	-	FLOOR SURFACE COATING	SAND AGGREGATE	28 GRADE
4	-	-	FLOOR BASE	PLYWOOD	1/2" THK.
4A	-	-	DOOR BASE	PLYWOOD	7/16" THK.
5	-	-	DOOR GASKET	-	JEAN'S EXTRUSIONS, PLASTIC WITH MAGNET
6	-	1	DOOR TRIM	ST. STEEL	20 GA.
7	-	1	DOOR BOTTOM SWEEP	FOAM	1/8" RUBBER
7A	#10 X 1/2"	AS REQD.	DOOR SWEEP FASTENERS	ST. STEEL	PH SMS
8	0056	1	DOOR LATCH	ST. STEEL	KASON
8A	1/4 X 1-3/4"	AS REQD.	LATCH FASTENERS	ST. STEEL	MACHINE HEAD SMS
9	1245	3/ LEAF	CAM LIFT HINGE	-	KASON
9A	1/4 X 1-3/4"	AS REQD.	CAM HINGE FASTENERS	ST. STEEL	MACHINE HEAD SMS
10	1277	3/ LEAF	HEAVY DUTY HINGE	-	KASON
10A	1/4 X 1-3/4"	AS REQD.	H.D. HINGE FASTENERS	ST. STEEL	LAG SCREWS
11	VS2000	1	DOOR CLOSER	ST. STEEL	DICTATOR
11A	#10 X 3/4"	AS REQD.	DOOR CLOSER FASTENERS	ST. STEEL	PAN HEAD SMS
12	-	AS REQD.	ANCHOR BAR	CARBON STEEL	A36, Fu MIN. = 56 KSI
12A	5/8" X 4"	1 /BAR	ANCHOR BAR FASTENER	-	GRADE 8 A307 STEEL BOLT/NUT/WASHER
13	-	AS REQD.	SHIM PLATE (5" X 9" X 1/4")	CARBON STEEL	A36, Fu MIN. = 56 KSI
14	-	AS REQD.	BASE FRAME (1-1/2" X 3" X 1/8")	CARBON STEEL	A36, Fu MIN. = 56 KSI
14A	-	AS REQD.	TIE DOWN TUBE (1-1/2" X 3" X 1/8" X 4-1/2" LONG)	CARBON STEEL	A36, Fu MIN. = 56 KSI
15	-	AS REQD.	ANGLE BRACING (1-1/2" X 1-1/2" X 1/8")	CARBON STEEL	A36, Fu MIN. = 56 KSI
16	-	-	2X6 WOOD	-	SOUTHERN PINE, CUT DOWN AS NEEDED
16A	-	-	2X4 WOOD	-	SOUTHERN PINE
16B	-	-	2X10 WOOD	-	SOUTHERN PINE

PRODUCT REVISED
as complying with the Florida
Building Code
Acceptance No 18-0516.05
Expiration Date 07/13/2022
By Heba A. M. El
Miami Data Product Control

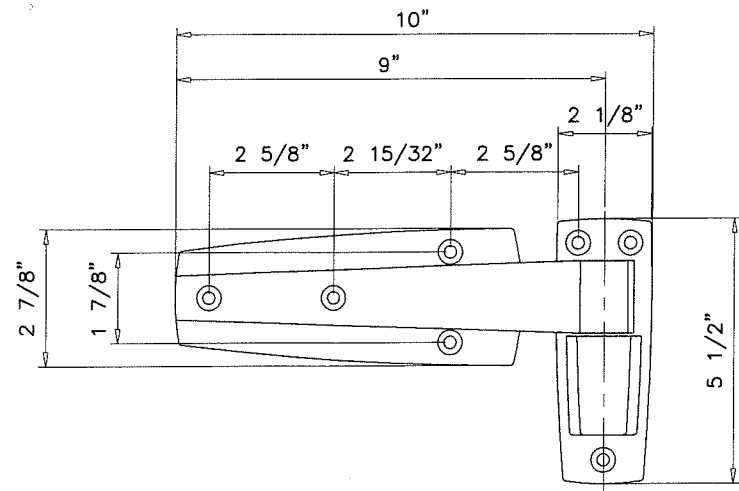


afc
AL-FAROOQ CORPORATION
ENGINEERS & PRODUCT DEVELOPMENT
9360 SUNSET DRIVE, SUITE 220
MIAMI, FLORIDA 33173 (C.A.N. 3538)
TEL. (305) 264-8100 FAX. (305) 262-6978

FIBERGLASS WALK-IN COOLER @ FREEZER
Polar King
INTERNATIONAL INC.
4424 New Haven Ave.
Fort Wayne, IN 46803
Ph: (260) 428-2530
Fax: (260) 428-2533

revisions:	no	date	by	description
	A	06.15.17		NO CHANGE THIS SHEET
	B	04.26.18		NO CHANGE THIS SHEET
date:	10-21-16			
scale:	-			
dr. by:	TARIQ			
chk. by:				
drawing no.	16-08			
sheet	6 of 7			

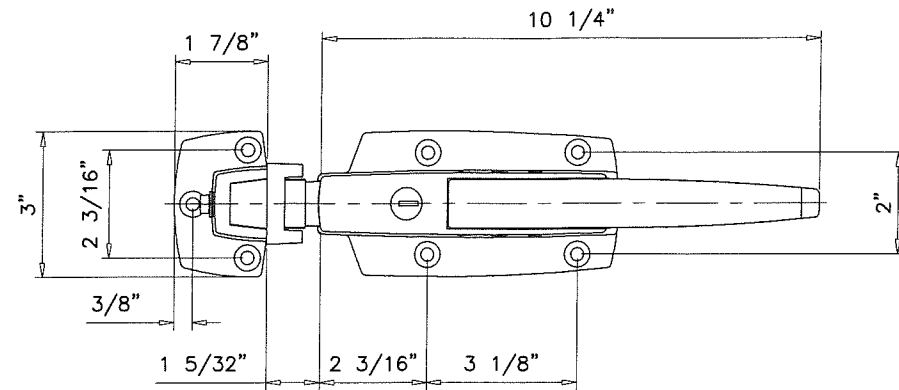
COOLER 16-08PK



KASON 1245 REVERSIBLE CAM-RISE FLUSH HINGE

POLISHED CHROME POWDER COATED DIE-CAST ZINC
SELF-LUBRICATING NYLON CAM

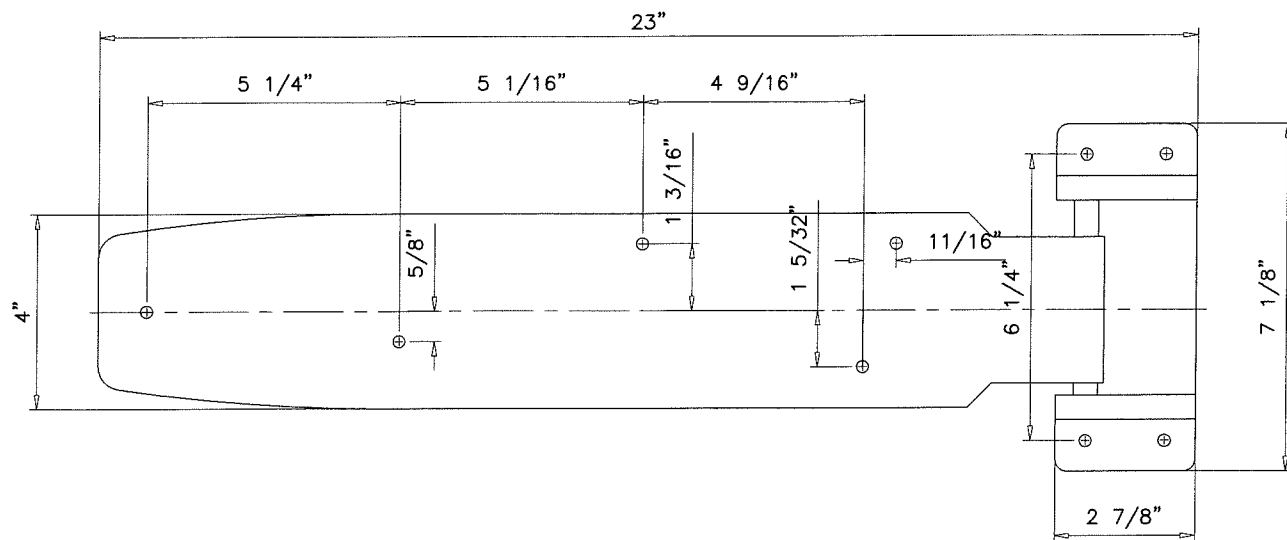
9 HOLES DRILLED AND COUNTERSUNK FOR 1/4" X 2" FH SECURITY SCREWS



KASON 0056 SAFEGUARD LATCH

#316 STAINLESS STEEL BODY AND STRIKE HOUSING
#304 STAINLESS STEEL ROLLER

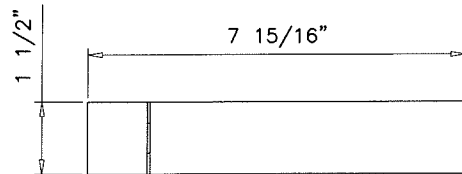
8 HOLES DRILLED AND COUNTERSUNK FOR 1/4" X 2" FLAT HEAD SECURITY SCREWS



KASON 1277 HEAVY DUTY HINGE

POLISHED CHROME POWDER COATED DIE-CAST ZINC
SECURED TO DOOR LEAF WITH 5/16" X 2" HEX HEAD LAG BOLTS
AND SECURED TO PANEL WITH 3/8" X 3" HEX HEAD LAG BOLTS

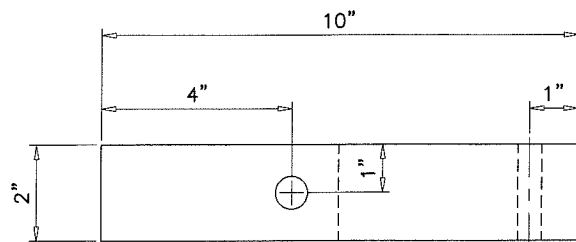
10



DICTATOR VS2000 DOOR CLOSER

STAINLESS STEEL BODY AND STRIKE HOUSING

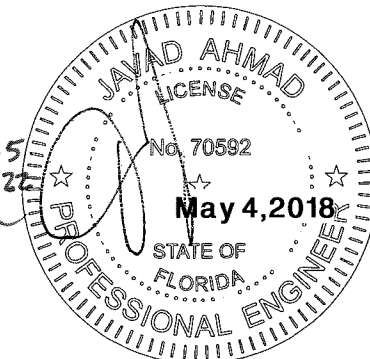
13



ANCHOR BAR

12

PRODUCT REVISED
as complying with the Florida
Building Code
Acceptance No 18-0516.05
Expiration Date 07/13/2021
By *H. A. Me...*
Miami Data Product Control



AL-FAROOQ CORPORATION
ENGINEERS & PRODUCT DEVELOPMENT
9360 SUNSET DRIVE, SUITE 220
MIAMI, FLORIDA 33173 (C.A.N. 3538)
TEL. (305) 264-8100 FAX. (305) 262-6978

COOLER\16-08PK

FIBERGLASS WALK-IN COOLER @ FREEZER



4424 New Haven Ave.
Fort Wayne, IN 46803
Ph: (260) 428-2530
Fax: (260) 428-2533

no	date	description	by
A	06.15.17	REV. PER RER COMMENTS	
B	04.26.18	NO CHANGE THIS SHEET	

date: 10-21-16
scale: 1/4" = 1"
dr. by: TARIQ
chk. by:

drawing no.
16-08
sheet 7 of 7