



MIAMI-DADE COUNTY, FLORIDA
PRODUCT CONTROL SECTION
 11805 SW 26 Street, Room 208
 Miami, Florida 33175-2474
www.miamidade.gov/building

DEPARTMENT OF REGULATORY AND ECONOMIC RESOURCES (RER)
NOTICE OF ACCEPTANCE (NOA)

PGT Industries, Inc.
1070 Technology Drive
North Venice, FL 34275

SCOPE:

This NOA is being issued under the applicable rules and regulations governing the use of construction materials. The documentation submitted has been reviewed and accepted by Miami-Dade County RER - Product Control Section to be used in Miami Dade County and other areas where allowed by the Authority Having Jurisdiction (AHJ).

This NOA shall not be valid after the expiration date stated below. The Miami-Dade County Product Control Section (In Miami-Dade County) and/or the AHJ (in areas other than Miami-Dade County) reserve the right to have this product or material tested for quality assurance purposes. If this product or material fails to perform in the accepted manner, the manufacturer will incur the expense of such testing and the AHJ may immediately revoke, modify, or suspend the use of such product or material within their jurisdiction. RER reserves the right to revoke this acceptance, if it is determined by Miami-Dade County Product Control Section that this product or material fails to meet the requirements of the applicable building code.

This product is approved as described herein, and has been designed to comply with the Florida Building Code, including the High Velocity Hurricane Zone.-

DESCRIPTION: Series "PW-5420 Vinyl" PVC Fixed Window – N.I.

APPROVAL DOCUMENT: Drawing No. **MD-5420.0** titled "Vinyl Fixed Window NOA (NI)", sheets 1 through 9 of 9, dated 09/09/14, with revision C dated 03/16/2020, prepared by manufacturer, signed and sealed by Anthony Lynn Miller, P.E., bearing the Miami-Dade County Product Control Revision stamp with the Notice of Acceptance number and expiration date by the Miami-Dade County Product Control Section.

MISSILE IMPACT RATING: None

LABELING: Each unit shall bear a permanent label with the manufacturer's name or logo, city, state, model/series, and following statement: "Miami-Dade County Product Control Approved", unless otherwise noted herein.

RENEWAL of this NOA shall be considered after a renewal application has been filed and there has been no change in the applicable building code negatively affecting the performance of this product.

TERMINATION of this NOA will occur after the expiration date or if there has been a revision or change in the materials, use, and/or manufacture of the product or process. Misuse of this NOA as an endorsement of any product, for sales, advertising or any other purposes shall automatically terminate this NOA. Failure to comply with any section of this NOA shall be cause for termination and removal of NOA.

ADVERTISEMENT: The NOA number preceded by the words Miami-Dade County, Florida, and followed by the expiration date may be displayed in advertising literature. If any portion of the NOA is displayed, then it shall be done in its entirety.

INSPECTION: A copy of this entire NOA shall be provided to the user by the manufacturer or its distributors and shall be available for inspection at the job site at the request of the Building Official.

This NOA **revises NOA No. 19-1126.09** and consists of this page 1 and evidence pages E-1, E-2 and E-3, as well as approval document mentioned above.

The submitted documentation was reviewed by **Sifang Zhao, P.E.**



S.Z.
 08/06/2020

NOA No. 20-0401.15
Expiration Date: April 30, 2025
Approval Date: August 06, 2020

NOTICE OF ACCEPTANCE: EVIDENCE SUBMITTED

1. EVIDENCE SUBMITTED UNDER PREVIOUS NOA's

A. DRAWINGS

1. Manufacturer's die drawings and sections. *(Submitted under NOA No. 14-0930.24)*
2. Drawing No. **MD-5420.0** titled "Vinyl Fixed Window NOA (NI)", sheets 1 through 9 of 9, dated 09/09/14, with revision B dated 06/06/17, prepared by manufacturer, signed, sealed and dated 6/9/17, by Anthony Lynn Miller, P.E. *(Submitted under NOA No. 17-0614.08)*

B. TESTS

1. Test reports on: 1) Uniform Static Air Pressure Test, Loading per FBC, TAS 202-94
2) Large Missile Impact Test per FBC, TAS 201-94
3) Cyclic Wind Pressure Loading per FBC, TAS 203-94
along with marked-up drawings and installation diagram of a PVC sliding glass door, a PVC fixed window and an aluminum sliding glass door, using: Kodispace 4SG TPS spacer system, Duraseal® spacer system, Super Spacer® NXT™ spacer system and XL Edge™ spacer system at insulated glass, prepared by Fenestration Testing Laboratory, Inc., Test Reports No. **FTL-8717**, **FTL-8968** and **FTL-8970**, dated 11/16/15, 06/07/16 and 06/02/16 respectively, all signed and sealed by Idalmis Ortega, P.E. *(Submitted under NOA No. 16-0629.11)*
2. Test reports on: 1) Air Infiltration Test, per FBC, TAS 202-94
2) Uniform Static Air Pressure Test, Loading per FBC, TAS 202-94
3) Water Resistance Test, per FBC, TAS 202-94
4) Large Missile Impact Test per FBC, TAS 201-94
5) Cyclic Wind Pressure Loading per FBC, TAS 203-94
6) Forced Entry Test, per FBC 2411.3.2.1, and TAS 202-94
along with marked-up drawings and installation diagram of a PVC fixed window, prepared by Fenestration Testing Laboratory, Inc., Test Report No. **FTL-7897**, dated 08/01/14, signed and sealed by Idalmis Ortega, P.E. *(Submitted under NOA No. 14-0930.24)*

C. CALCULATIONS

1. Anchor verification calculations and structural analysis, complying with **FBC 5th Edition (2014)**, dated 09/18/14 and 04/07/15, prepared by manufacturer, signed and sealed by Anthony Lynn Miller, P.E. *(Submitted under NOA No. 14-0930.24)*
2. Glazing complies with **ASTM E1300-09**

D. QUALITY ASSURANCE

1. Miami-Dade Department of Regulatory and Economic Resources (RER).



Sifang Zhao, P.E.
Product Control Examiner
NOA No. 20-0401.15
Expiration Date: April 30, 2025
Approval Date: August 06, 2020

NOTICE OF ACCEPTANCE: EVIDENCE SUBMITTED

E. MATERIAL CERTIFICATIONS

1. Notice of Acceptance No. **16-0712.03** issued to ENERGI Fenestration Solutions USA for their “**White Rigid PVC Exterior Extrusions for Windows and Doors**” dated 08/10/17, expiring on 02/28/18.
2. Notice of Acceptance No. **16-0712.04** issued to ENERGI Fenestration Solutions USA, Inc. for their “**Bronze and Lighter Shades of Cap Coated White Rigid PVC Exterior Extrusions for Windows and Doors**” dated 09/15/16, expiring on 04/16/20.
3. Notice of Acceptance No. **16-0712.05** issued to ENERGI Fenestration Solutions USA, Inc. for their “**Performance Core Rigid PVC Exterior Extrusions for Windows and Doors**” dated 09/15/16, expiring on 04/16/20.

F. STATEMENTS

1. Statement letter of conformance, complying with **FBC 5th Edition (2014)** and **FBC 6th Edition (2017)**, dated August 29, 2017, issued by manufacturer, signed and sealed by Anthony Lynn Miller, P.E. *(Submitted under NOA No. 17-0614.08)*
2. Statement letter of no financial interest, dated June 9, 2017, issued by manufacturer, signed and sealed by Anthony Lynn Miller, P.E. *(Submitted under NOA No. 17-0614.08)*
3. Proposal issued by Product Control, dated 6/26/14, signed by Jaime Gascon, P.E. Supervisor, Product Control Section. *(Submitted under NOA No. 14-0930.24)*
4. Proposal No. **16-0125** issued by the Product Control Section, dated March 09, 2016, signed by Ishaq Chanda, P.E. *(Submitted under NOA No. 16-0629.11)*

G. OTHERS

1. NOA No. **16-0629.11**, issued to PGT Industries, Inc. for their Series “PW-5420 Vinyl” PVC Fixed Window – N.I. approved on 08/04/16 and expiring on 04/30/20.

2. NEW EVIDENCE SUBMITTED

A. DRAWINGS

1. Drawing No. **MD-5420.0** titled “Vinyl Fixed Window NOA (NI)”, sheets 1 through 9 of 9, dated 09/09/14, with revision C dated 03/16/2020, prepared by manufacturer, signed and sealed by Anthony Lynn Miller, P.E.

B. TESTS

1. Test reports on:
 - 1) Air Infiltration Test, per FBC, TAS 202-94
 - 2) Uniform Static Air Pressure Test, Loading per FBC, TAS 202-94
 - 3) Water Resistance Test, per FBC, TAS 202-94
 - 4) Large Missile Impact Test per FBC, TAS 201-94
 - 5) Cyclic Wind Pressure Loading per FBC, TAS 203-94
 - 6) Forced Entry Test, per ASTM F588 and TAS 202-94

along with marked-up drawings and installation diagram of all PGT Industries, Inc. representative units listed below and tested to qualify **Dowsil 791** and **Dowsil 983** silicones, prepared by Fenestration Testing Laboratory, Inc., Test Reports No.:

Sifang Zhao, P.E.
Product Control Examiner
NOA No. 20-0401.15
Expiration Date: April 30, 2025
Approval Date: August 06, 2020

NOTICE OF ACCEPTANCE: EVIDENCE SUBMITTED

B. TESTS (CONTINUED)

FTL-7897, PGT PW5520 PVC Fixed Window (unit 6 in proposal), dated 09/03/14
FTL-20-2107.1, PGT SGD780 Aluminum Sliding Glass Door (unit 7 in proposal)
FTL-20-2107.2, PGT CA740 Alum. Outswing Casement Window (unit 8 in proposal)
FTL-20-2107.3, PGT PW7620A Aluminum Fixed Window (unit 9 in proposal) and
FTL-20-2107.4, PGT PW7620A Aluminum Fixed Window (unit 10 in proposal)
dated 07/13/20, all signed and sealed by Idalmis Ortega, P.E

C. CALCULATIONS

1. Anchor verification calculations and structural analysis, complying with **FBC-6th Edition (2017)** and **FBC-7th (2020)** dated 03/13/20, prepared by manufacturer, signed and sealed by Anthony Lynn Miller, P.E.

D. QUALITY ASSURANCE

1. Miami-Dade Department of Regulatory and Economic Resources (RER)

E. MATERIAL CERTIFICATIONS

1. NOA No. **18-0122.02** issued to ENERGI Fenestration Solutions USA, for their “**White Rigid PVC Exterior Extrusions for Windows and Doors**” dated 03/08/18, expiring on 02/28/23.
2. NOA No. **20-0203.03** issued to ENERGI Fenestration Solutions USA, Inc. for their “**Bronze and Lighter Shades of Cap Coated Rigid PVC Exterior Extrusions for Windows and Doors**” dated 02/27/20, expiring on 04/16/25.
3. NOA No. **20-0203.04** issued to ENERGI Fenestration Solutions USA, Inc. for their “**Performance Core Rigid PVC Exterior Extrusions for Windows and Doors**” dated 02/27/20, expiring on 04/16/25.

F. STATEMENTS

1. Statement letter of conformance, complying with **FBC-6th Edition (2017)** and **FBC-7th Edition (2020)**, dated 03/16/20, issued by manufacturer, signed and sealed by Anthony Lynn Miller, P.E.
2. Statement letter of no financial interest, dated 03/16/20, issued by manufacturer, signed and sealed by Anthony Lynn Miller, P.E.
3. Proposal No. **19-1155 TP** issued by the Product Control Section, dated January 10, 2020, signed by Ishaq Chanda, P.E.

G. OTHERS

1. NOA No. **19-1126.09**, issued to PGT Industries, Inc. for their Series “PW-5420 Vinyl” PVC Fixed Window – N.I., approved on 01/09/20 and expiring on 04/30/25.



Sifang Zhao, P.E.
Product Control Examiner
NOA No. 20-0401.15
Expiration Date: April 30, 2025
Approval Date: August 06, 2020

GENERAL NOTES: SERIES 5420
NON-IMPACT RESISTANT, VINYL FIXED WINDOW

1) THIS PRODUCT HAS BEEN DESIGNED & TESTED TO COMPLY WITH THE REQUIREMENTS OF THE FLORIDA BUILDING CODE, INCLUDING THE HIGH VELOCITY HURRICANE ZONE (HVHZ).

2) SHUTTERS ARE REQUIRED WHEN USED IN WIND-BORNE DEBRIS REGIONS.

3) FOR MASONRY APPLICATIONS IN MIAMI-DADE COUNTY, USE ONLY MIAMI-DADE COUNTY APPROVED MASONRY ANCHORS. MATERIALS USED FOR ANCHOR EVALUATIONS WERE SOUTHERN PINE, ASTM C90 CONCRETE MASONRY UNITS AND CONCRETE WITH MIN. KSI PER ANCHOR TYPE.

4) ALL WOOD BUCKS LESS THAN 1-1/2" THICK ARE TO BE CONSIDERED 1X INSTALLATIONS. 1X WOOD BUCKS ARE OPTIONAL IF UNIT IS INSTALLED DIRECTLY TO SUBSTRATE. WOOD BUCKS DEPICTED AS 2X ARE 1-1/2" THICK OR GREATER. 1X AND 2X BUCKS (WHEN USED) SHALL BE DESIGNED TO PROPERLY TRANSFER LOADS TO THE STRUCTURE. WOOD BUCK DESIGN AND INSTALLATION IS THE RESPONSIBILITY OF THE ENGINEER, (EOR) OR ARCHITECT OF RECORD, (AOR).

5) ANCHOR EMBEDMENT TO BASE MATERIAL SHALL BE BEYOND WALL DRESSING OR STUCCO. USE ANCHORS OF SUFFICIENT LENGTH TO ACHIEVE EMBEDMENT. INSTALLATION ANCHORS SHOULD BE SEALED. OVERALL SEALING/FLASHING STRATEGY FOR WATER RESISTANCE OF INSTALLATION SHALL BE DONE BY OTHERS AND IS BEYOND THE SCOPE OF THESE INSTRUCTIONS.

6) MAX. 1/4" SHIMS ARE REQUIRED AT EACH ANCHOR LOCATION WHERE THE PRODUCT IS NOT FLUSH TO THE SUBSTRATE. USE SHIMS CAPABLE OF TRANSFERRING APPLIED LOADS. WOOD BUCKS, BY OTHERS, MUST BE SUFFICIENTLY ANCHORED TO RESIST LOADS IMPOSED ON THEM BY THE WINDOW.

7) DESIGN PRESSURES:

A. NEGATIVE DESIGN LOADS BASED ON STRUCTURAL TEST PRESSURE, FRAME ANALYSIS AND GLASS PER ASTM E1300.

B. POSITIVE DESIGN LOADS BASED ON WATER TEST PRESSURE, STRUCTURAL TEST PRESSURE, FRAME ANALYSIS AND GLASS PER ASTM E1300.

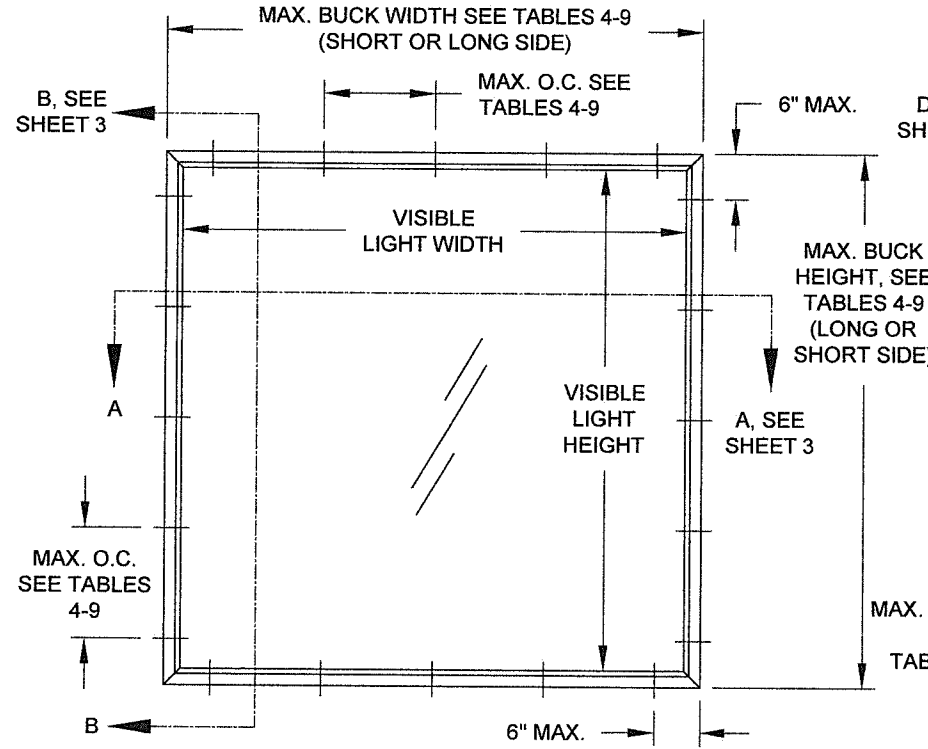
C. DESIGN LOADS ARE BASED ON ALLOWABLE STRESS DESIGN, ASD.

8) THE ANCHORAGE METHODS SHOWN HAVE BEEN DESIGNED TO RESIST THE WINDLOADS CORRESPONDING TO THE REQUIRED DESIGN PRESSURE. THE 33-1/3% STRESS INCREASE HAS NOT BEEN USED IN THE DESIGN OF THIS PRODUCT. THE 1.6 LOAD DURATION FACTOR WAS USED FOR THE EVALUATION OF ANCHORS INTO WOOD. ANCHORS THAT COME INTO CONTACT WITH OTHER DISSIMILAR MATERIALS SHALL MEET THE REQUIREMENTS OF THE FLORIDA BUILDING CODE FOR CORROSION RESISTANCE.

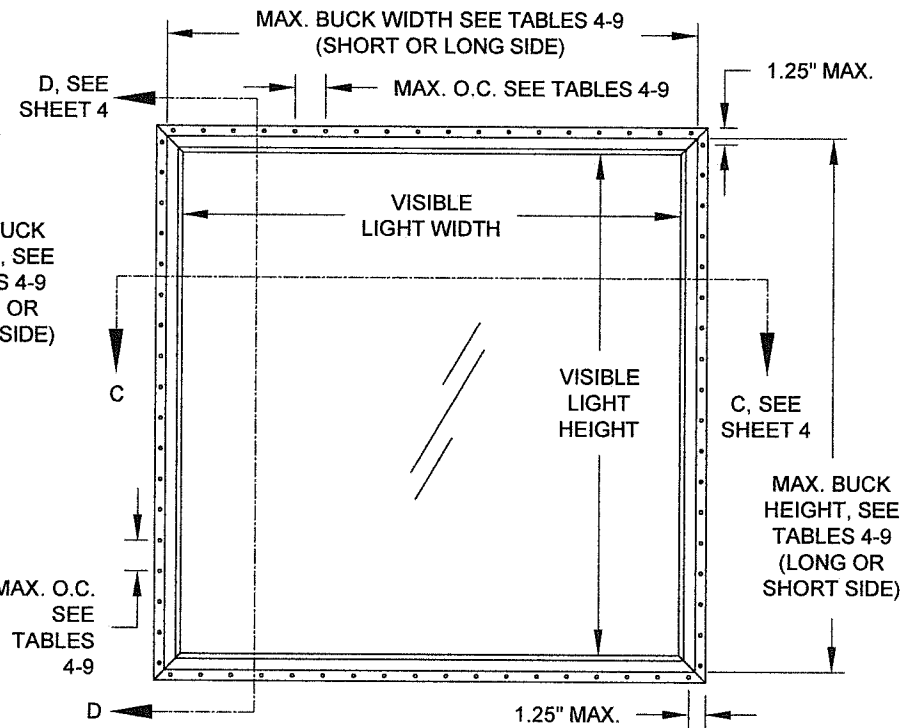
9) METAL SUBSTRATE TO MEET MIN. STRENGTH AND THICKNESS REQUIREMENTS PER CURRENT FLORIDA BUILDING CODE AND TO BE REVIEWED BY THE AUTHORITY HAVING JURISDICTION.

10) REFERENCES: TEST REPORTS FTL-7897; ELCO ULTRACON NOA; DEWALT ULTRACON+ NOA; ELCO/DEWALT CRETEFLX NOA; ELCO/DEWALT AGGRE-GATOR NOA; ENERGI WINDOW AND DOOR PROFILES, LTD WHITE & BRONZE/LIGHTER SHADES OF CAP COATED PVC EXTRUSION NOA'S; NATIONAL DESIGN SPECIFICATION FOR WOOD CONSTRUCTION, ANSI/AF&PA NDS & ALUMINUM DESIGN MANUAL

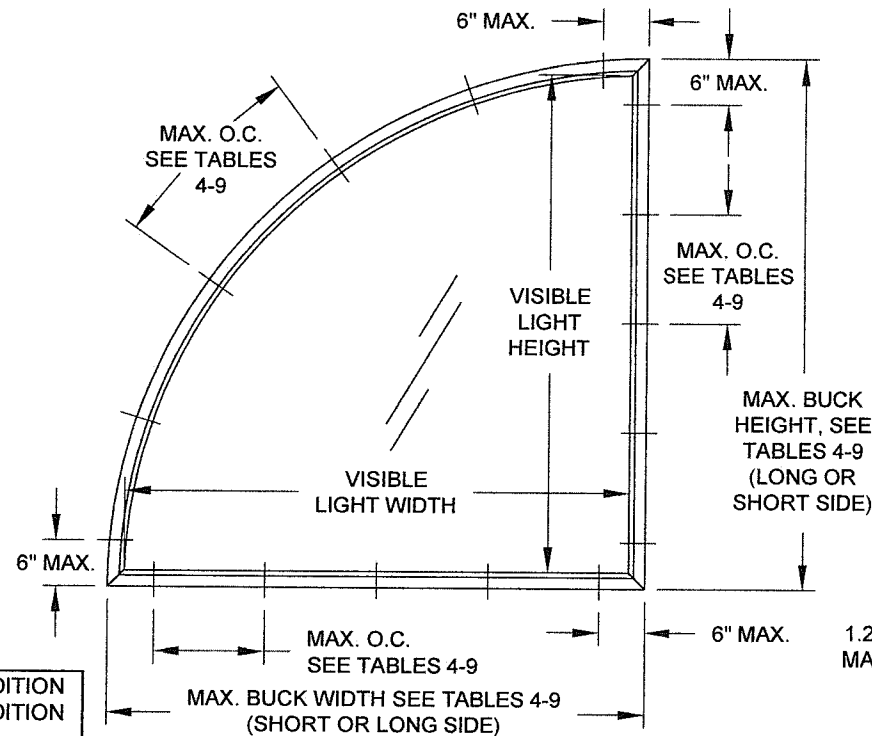
IMPACT RATING	DESIGN PRESSURE RATING
NOT RATED FOR IMPACT RESISTANCE	VARIABLES PER GLASS TYPE, SEE TABLES 4-9, SHEETS 6-8



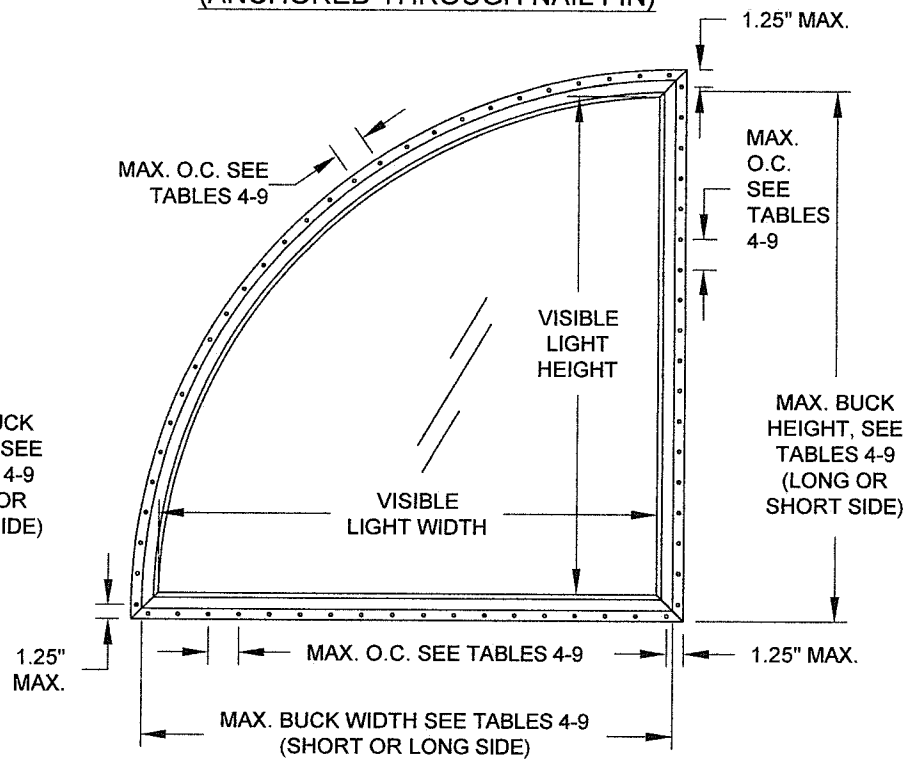
TYP. EQUAL-LEG/BOX & FLANGE FRAME (90° CORNERS)



TYP. INTEGRAL FIN & J-CANNEL FRAME (90° CORNERS) (ANCHORED THROUGH NAIL FIN)



TYP. EQUAL-LEG/BOX & FLANGE FRAME (CURVED OR ANGLED CORNERS)



TYP. INTEGRAL FIN & J-CANNEL FRAME (CURVED OR ANGLED CORNERS) (ANCHORED THROUGH NAIL FIN)

VISIBLE LIGHT FORMULAS

WIDTH: BUCK WIDTH - 4-3/16"
 HEIGHT: BUCK HEIGHT - 4-3/16"

CODES / STANDARDS USED:

- 2020 FLORIDA BUILDING CODE (FBC), 7TH EDITION
- 2017 FLORIDA BUILDING CODE (FBC), 6TH EDITION
- ASTM E1300-09
- ANSI/AF&PA NDS-2018 FOR WOOD CONSTRUCTION
- ALUMINUM DESIGN MANUAL, ADM-2015
- AISI S100-16
- AISC 360-16

GENERAL NOTES.....	1
ELEVATIONS.....	1
FRAME, GLASS & ANCHOR OPTIONS.....	2
INSTALLATION, FLANGE & EQUAL LEG.....	3
INSTALLATION, INTEGRAL FIN & J-CANNEL.....	4
GLAZING DETAILS.....	5
DESIGN PRESSURES.....	6-8
BOM & ASSEMBLY.....	9

PRODUCT REVISED
 as complying with the Florida Building Code
 NOA-No. **20-0401.15**
 Expiration Date **04/30/2025**
 By *[Signature]*
 Miami-Dade Product Control

Revision: C) UPDATED TO FBC 2020, REVISED ANCHOR TYPE TABLE.
 AK - 03/16/20

1070 TECHNOLOGY DRIVE N. VENICE, FL 34275 (941)-480-1600	Date	9/9/14	Rev.	C
	Drawn By	J ROSOWSKI	DWG No.	MD-5420.0
	Title	VINYL FIXED WINDOW NOA (NI)	Sheet	1 OF 9
	Series	GENERAL NOTES & ELEVATION	Scale	NTS

REGISTRATION #29296
 VINYL FIXED WINDOW NOA (NI)
 ANTHONY LYNN MILLER
 LICENSE
 No. 58705
 3/1/20
 STATE OF FLORIDA
 PROFESSIONAL ENGINEER
 A. LYNN MILLER, P.E.
 P.E.# 58705

TABLE 1:

Glass Type	Description	Table #
1	7/8" I.G.: 1/8" A Exterior Cap + 5/8" Air Space + 1/8" A	4
2	7/8" I.G.: 1/8" T Exterior Cap + 5/8" Air Space + 1/8" T	5
3	7/8" I.G.: 3/16" A Exterior Cap + 1/2" Air Space + 3/16" A	6
4	7/8" I.G.: 3/16" T Exterior Cap + 1/2" Air Space + 3/16" T	7
5	1" I.G.: 1/4" A Exterior Cap + 1/2" Air Space + 1/4" A	8
6	1" I.G.: 1/4" T Exterior Cap + 1/2" Air Space + 1/4" T	9

"A" = ANNEALED
"T" = TEMPERED

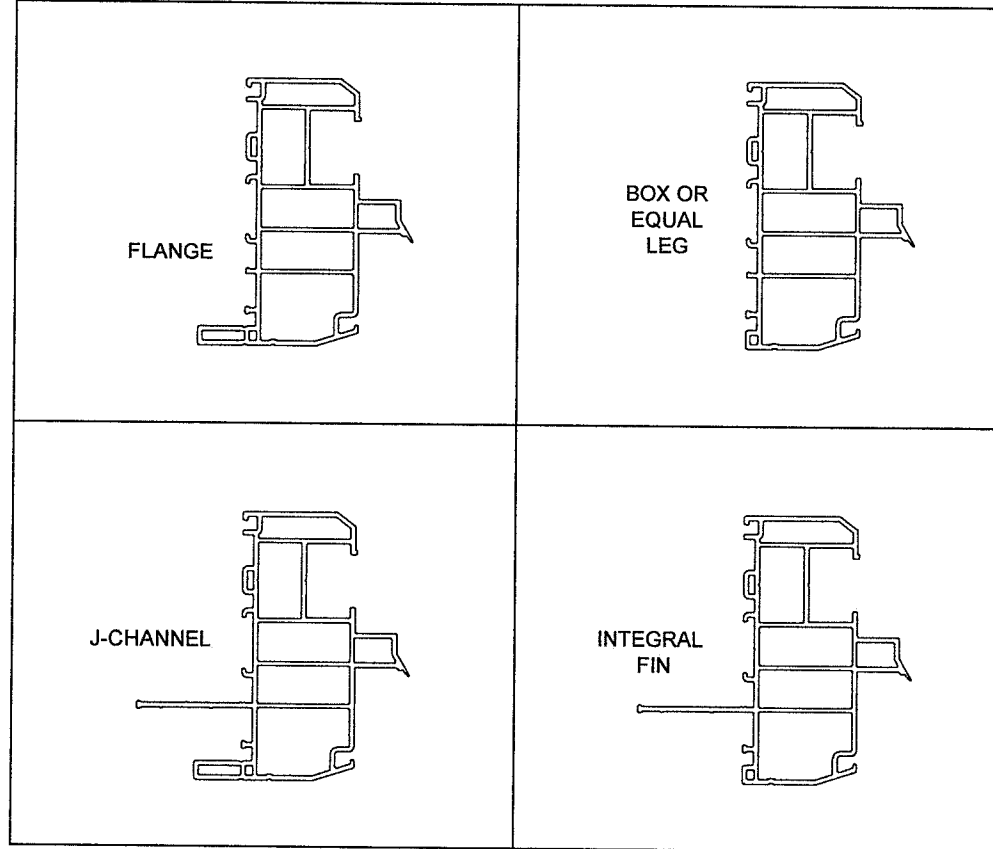
TABLE 2: ANCHORS INSTALLED THROUGH FRAME

Group	Anchor	Substrate	Min. Edge Distance	Min. Embedment*	
A	#10 SMS (steel, 18-8 S.S. or 410 S.S.)	P.T. Southern Pine (SG=0.55)	7/16"	1-3/8"	
		Steel, A36*	3/8"	0.050"	
		Steel Stud, A653 Gr. 33*	3/8"	0.0451" (18 Ga.)	
	3/16" steel Ultracon or Ultracon+	P.T. Southern Pine (SG=0.55)	7/16"	1-3/8"	
		Concrete (min. 3 ksi)	1"	1-3/8"	
		UngROUTED CMU, (ASTM C-90)	2-1/2"	1-1/4"	
B	#12 SMS (steel, 18-8 S.S. or 410 S.S.)	P.T. Southern Pine (SG=0.55)	9/16"	1-3/8"	
		Steel, A36*	3/8"	0.050"	
		Steel Stud, A653 Gr. 33*	3/8"	0.0451" (18 Ga.)	
	1/4" steel Ultracon or Ultracon+	P.T. Southern Pine (SG=0.55)	1"	1-3/8"	
		1/4" steel Creteflex	P.T. Southern Pine (SG=0.55)	1"	1-3/8"
		1/4" steel Aggre-Gator	P.T. Southern Pine (SG=0.55)	1"	1-3/8"
C	1/4" steel Ultracon	Concrete (min. 2.85 ksi)	1"	1-3/4"	
		UngROUTED CMU, (ASTM C-90)	2-1/2"	1-1/4"	
		1/4" steel Ultracon+	Concrete (min. 3 ksi)	1-3/16"	1-3/4"
	1/4" steel Creteflex	UngROUTED CMU, (ASTM C-90)	1"	1-1/4"	
		Concrete (min. 3.35 ksi)	1"	1-3/4"	
		D	1/4" steel Ultracon	Concrete (min. 2.85 ksi)	2-1/2"
1/4" steel Ultracon+	Concrete (min. 3 ksi)			2-1/2"	1-3/4"
UngROUTED CMU, (ASTM C-90)	2-1/2"			1-1/4"	
1/4" steel Creteflex	Concrete (min. 3.35 ksi)		2-1/2"	1-3/4"	
	UngROUTED CMU, (ASTM C-90)		2-1/2"	1-1/4"	
	1/4" steel Aggre-Gator		Concrete (min. 3.275 ksi)	1-1/2"	1-3/8"
		Grouted CMU, (ASTM C-90)	2"	2"	

* MIN. OF 3 THREADS BEYOND THE METAL SUBSTRATE.

"UNROUTED CMU" VALUES MAY BE USED FOR GROUTED CMU APPLICATIONS.

WINDOW FRAMES MAY BE ANY OF THOSE SHOWN BELOW:



ALL ARCHITECTURAL WINDOW SHAPES QUALIFIED, COMMON EXAMPLES SHOWN. INSCRIBE THE SHAPE IN A BLOCK (SEE EXAMPLES BELOW), AND OBTAIN DESIGN PRESSURES FOR THAT BLOCK SIZE FROM DESIGN PRESSURE TABLES 4-9, SHEETS 6-8.

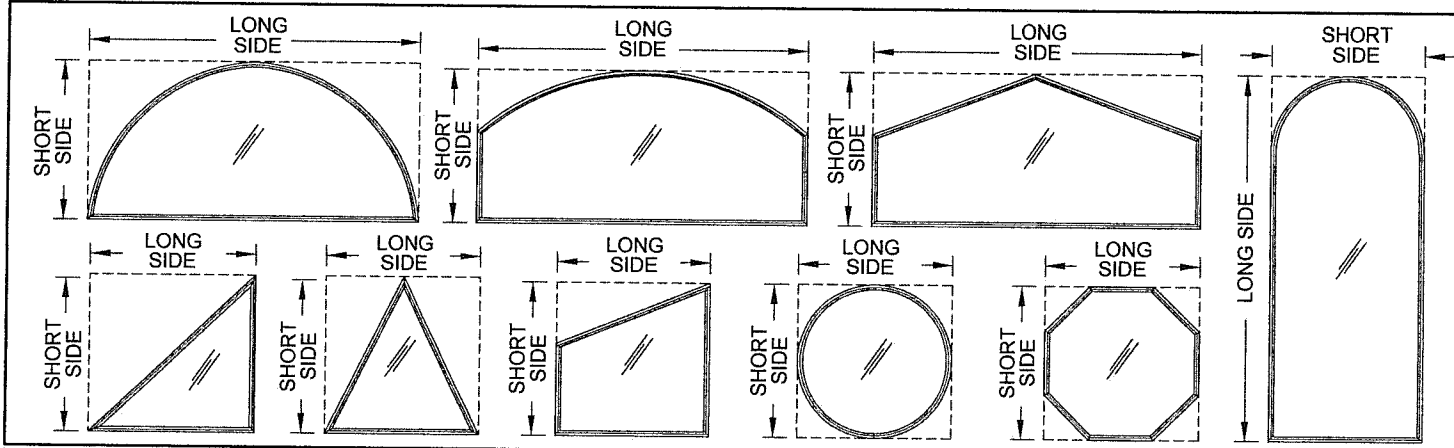


TABLE 3: ANCHORS INSTALLED THROUGH INTEGRAL FIN

Group	Anchor	Substrate	Min. Edge Distance	Min. Embedment*
E	2-1/2" x .131" Common Nail	P.T. Southern Pine (SG=.55)	3/8"	2-7/16"
F	2-1/2" Ring-shank Roofing Nail	P.T. Southern Pine (SG=.55)	3/8"	2-7/16"
		P.T. Southern Pine (SG=.55)	1/2"	1-3/8"
	#10 Trusshead SMS (steel, 18-8 S.S. or 410 S.S.)	Aluminum, 6063-T5*	3/8"	0.050"
		Steel Stud, Gr. 33*	3/8"	0.0451" (18 Ga.)
		Steel, A36*	3/8"	0.050"
	#12 SMS (steel, 18-8 S.S. or 410 S.S.)	P.T. Southern Pine (SG=.55)	9/16"	1-3/8"
Aluminum, 6063-T5*		3/8"	0.063"	
Steel Stud, Gr. 33*		3/8"	0.050"	
		Steel, A36*	3/8"	0.050"

* MIN. OF 3 THREADS BEYOND THE METAL SUBSTRATE.

Material	Min. F _y	Min. F _u
Steel Screw	92 ksi	120 ksi
18-8 Screw	60 ksi	95 ksi
410 Screw	90 ksi	110 ksi
Elco/DeWalt Aggre-Gator®	57 ksi	96 ksi
Elco UltraCon®	155 ksi	177 ksi
3/16" DeWalt UltraCon+®	117 ksi	164 ksi
1/4" DeWalt UltraCon+®	148 ksi	164 ksi
410 SS Elco/DeWalt CreteFlex®	127.4 ksi	189.7 ksi
6063-T5 Aluminum	16 ksi	22 ksi
A36 Steel	36 ksi	58 ksi
Gr. 33 Steel Stud	33 ksi	45 ksi

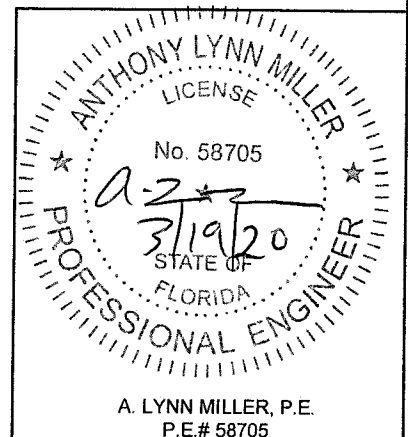


1070 TECHNOLOGY DRIVE
N. VENICE, FL 34275
(941)-480-1600

Series Desc.	Title	Date
PW-5420	VINYL FIXED WINDOW NOA (NI)	9/9/14
Scale	NTS	Drawn By
Sheet	2 OF 9	J ROSOWSKI
DWG No.	MD-5420.0	Rev.
		C

PRODUCT REVISED
as complying with the Florida Building Code
NOA-No. **20-0401.15**
Expiration Date **04/30/2025**
By *[Signature]*
Miami-Dade Product Control

C) REVISED ANCHOR TYPE TABLE.
AK - 03/16/20

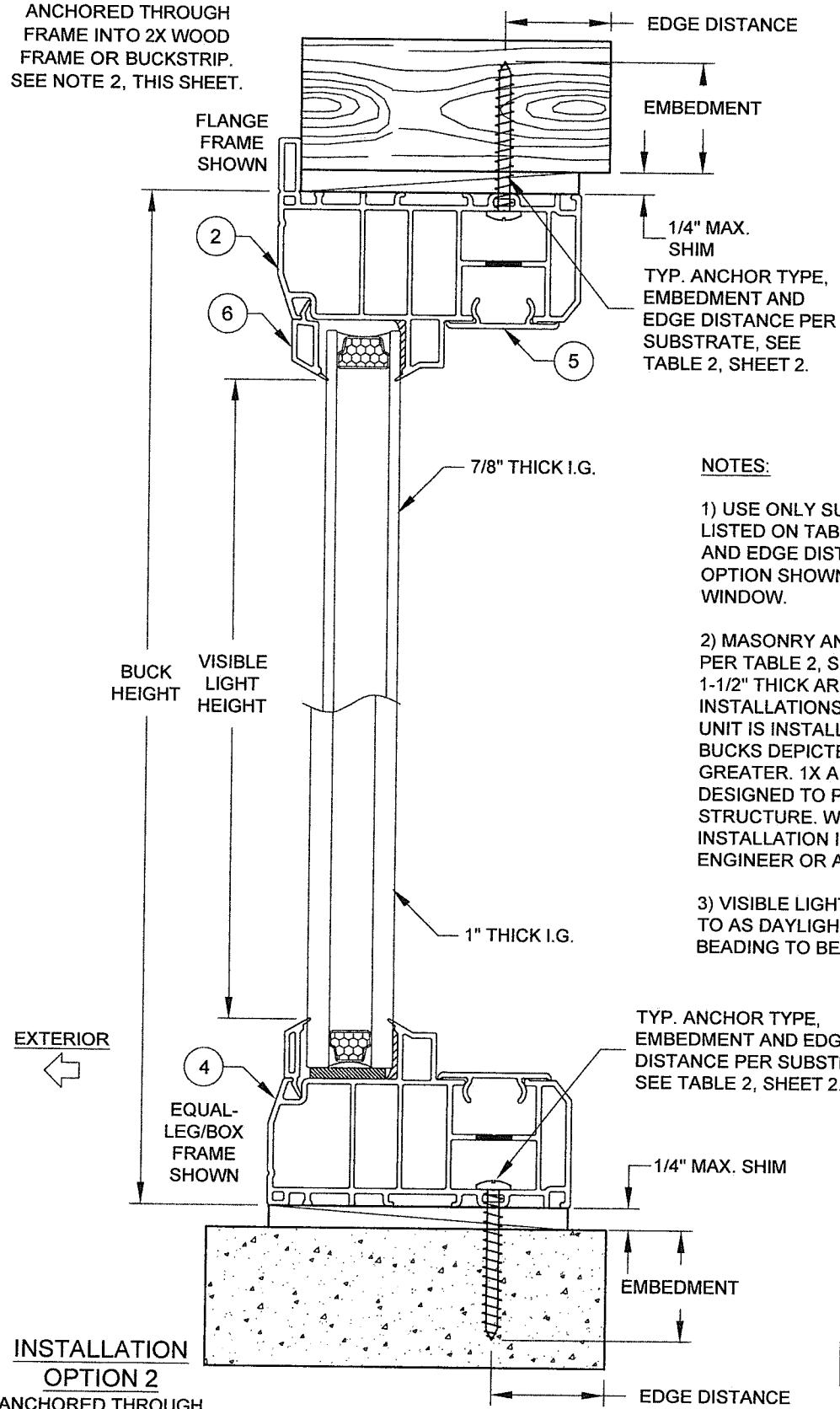


A. LYNN MILLER, P.E.
P.E.# 58705

INSTALLATION DETAILS FOR FLANGE & EQUAL-LEG/BOX FRAMES

INSTALLATION OPTION 1

ANCHORED THROUGH FRAME INTO 2X WOOD FRAME OR BUCKSTRIP. SEE NOTE 2, THIS SHEET.

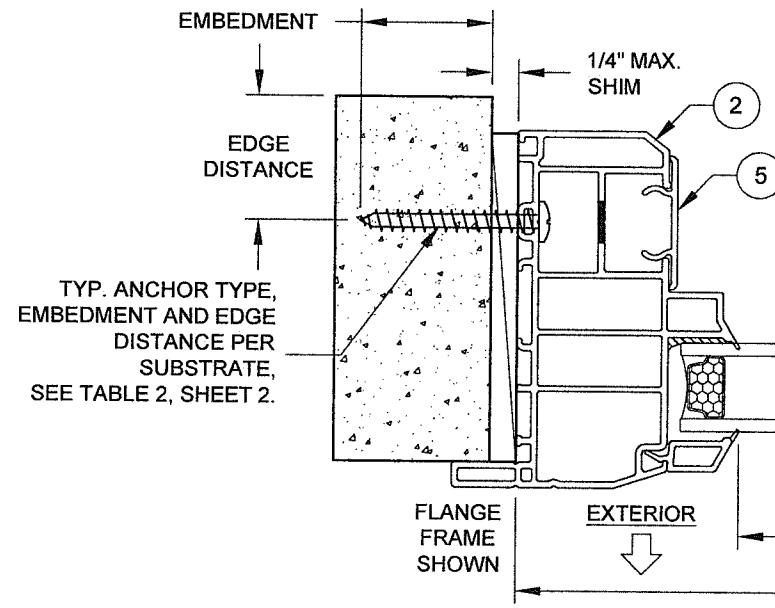


INSTALLATION OPTION 2
ANCHORED THROUGH FRAME DIRECTLY INTO CONCRETE/CMU.

VERTICAL SECTION B-B

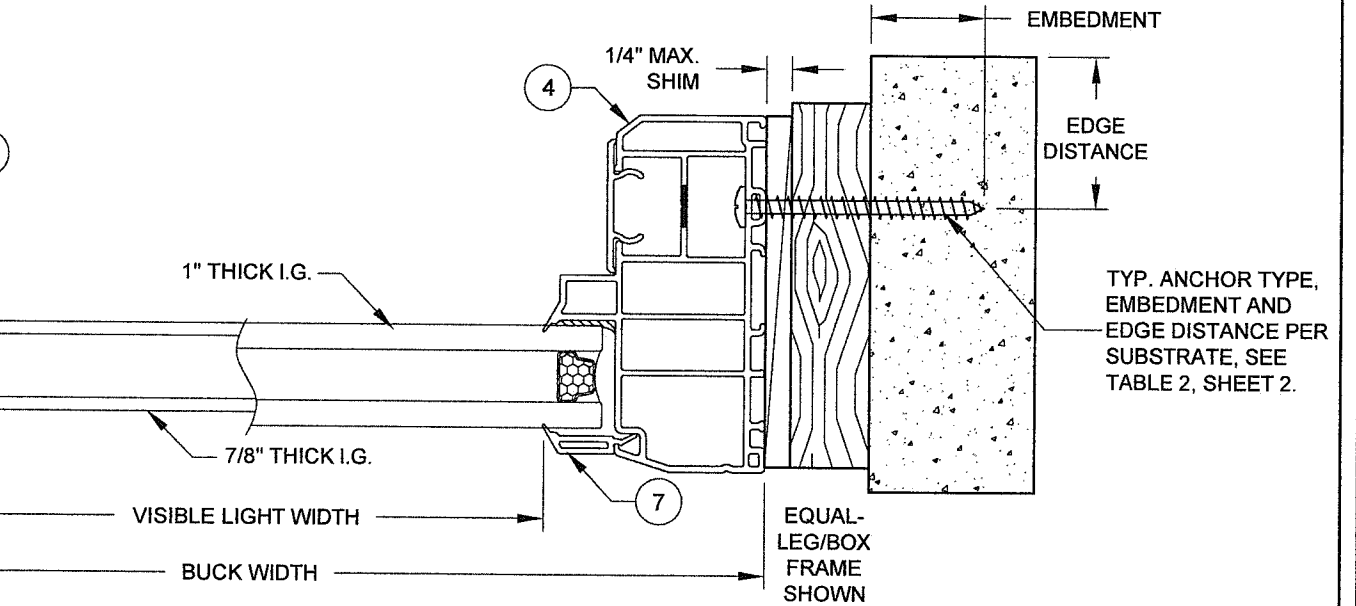
INSTALLATION OPTION 2

ANCHORED THROUGH FRAME DIRECTLY INTO CONCRETE/CMU.



INSTALLATION OPTION 3

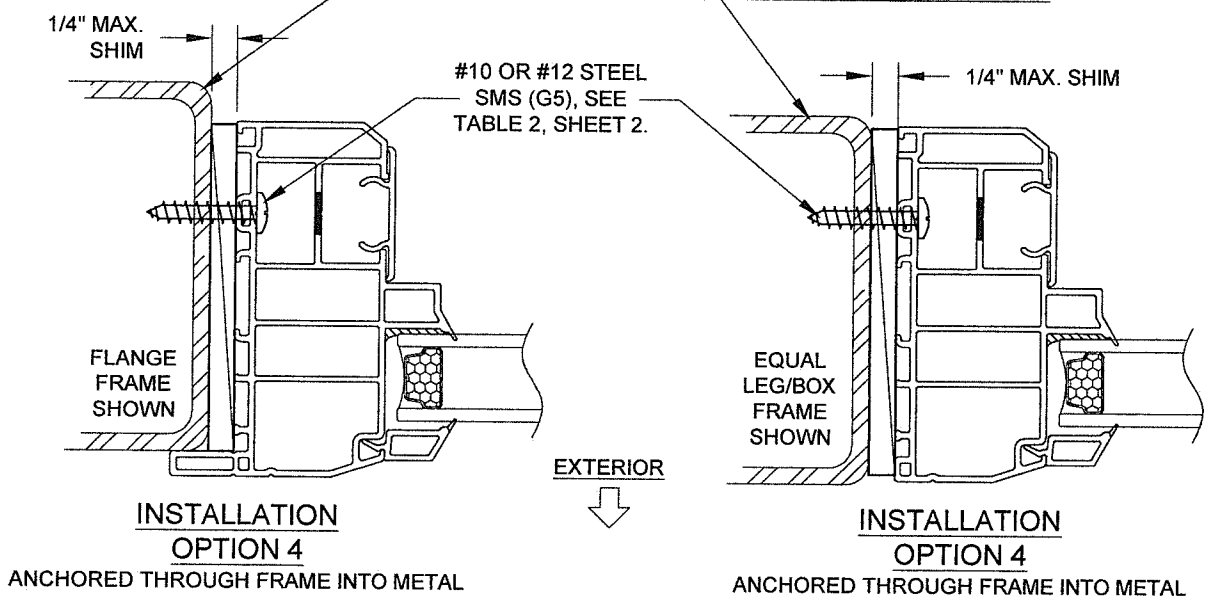
ANCHORED THROUGH FRAME AND 1X BUCKSTRIP INTO CONCRETE/CMU. SEE NOTE 2, THIS SHEET.



HORIZONTAL SECTION A-A

- NOTES:**
- 1) USE ONLY SUBSTRATE-APPROPRIATE ANCHORS LISTED ON TABLE 2, SHEET 2. FOLLOW EMBEDMENT AND EDGE DISTANCE LIMITS. ANY INSTALLATION OPTION SHOWN MAY BE USED ON ANY SIDE OF THE WINDOW.
 - 2) MASONRY ANCHORS MAY BE USED INTO WOOD AS PER TABLE 2, SHEET 2. ALL WOOD BUCKS LESS THAN 1-1/2" THICK ARE TO BE CONSIDERED 1X INSTALLATIONS. 1X WOOD BUCKS ARE OPTIONAL IF UNIT IS INSTALLED DIRECTLY TO SUBSTRATE. WOOD BUCKS DEPICTED AS 2X ARE 1-1/2" THICK OR GREATER. 1X AND 2X BUCKS (WHEN USED) SHALL BE DESIGNED TO PROPERLY TRANSFER LOADS TO THE STRUCTURE. WOOD BUCK DESIGN AND INSTALLATION IS THE RESPONSIBILITY OF THE ENGINEER OR ARCHITECT OF RECORD.
 - 3) VISIBLE LIGHT WIDTH OR HEIGHT (ALSO REFERRED TO AS DAYLIGHT OPENING) IS MEASURED FROM BEADING TO BEADING.

DADE APPROVED MULLION, FBC COMPLIANT ALUMINUM/STEEL FRAMING OR STEEL STUD. MAY BE VERTICAL OR HORIZONTAL. SEE SUBSTRATE PROPERTIES, TABLE 2, SHEET 2.



VISIBLE LIGHT FORMULAS
WIDTH: BUCK WIDTH - 4-3/16"
HEIGHT: BUCK HEIGHT - 4-3/16"

PRODUCT REVISED
as complying with the Florida Building Code
NOA-No. **20-0401.15**
Expiration Date **04/30/2025**
By *[Signature]*
Miami-Dade Product Control

C) NO CHANGES THIS SHEET.
AK - 03/16/20

PGT
REGISTRATION #29296

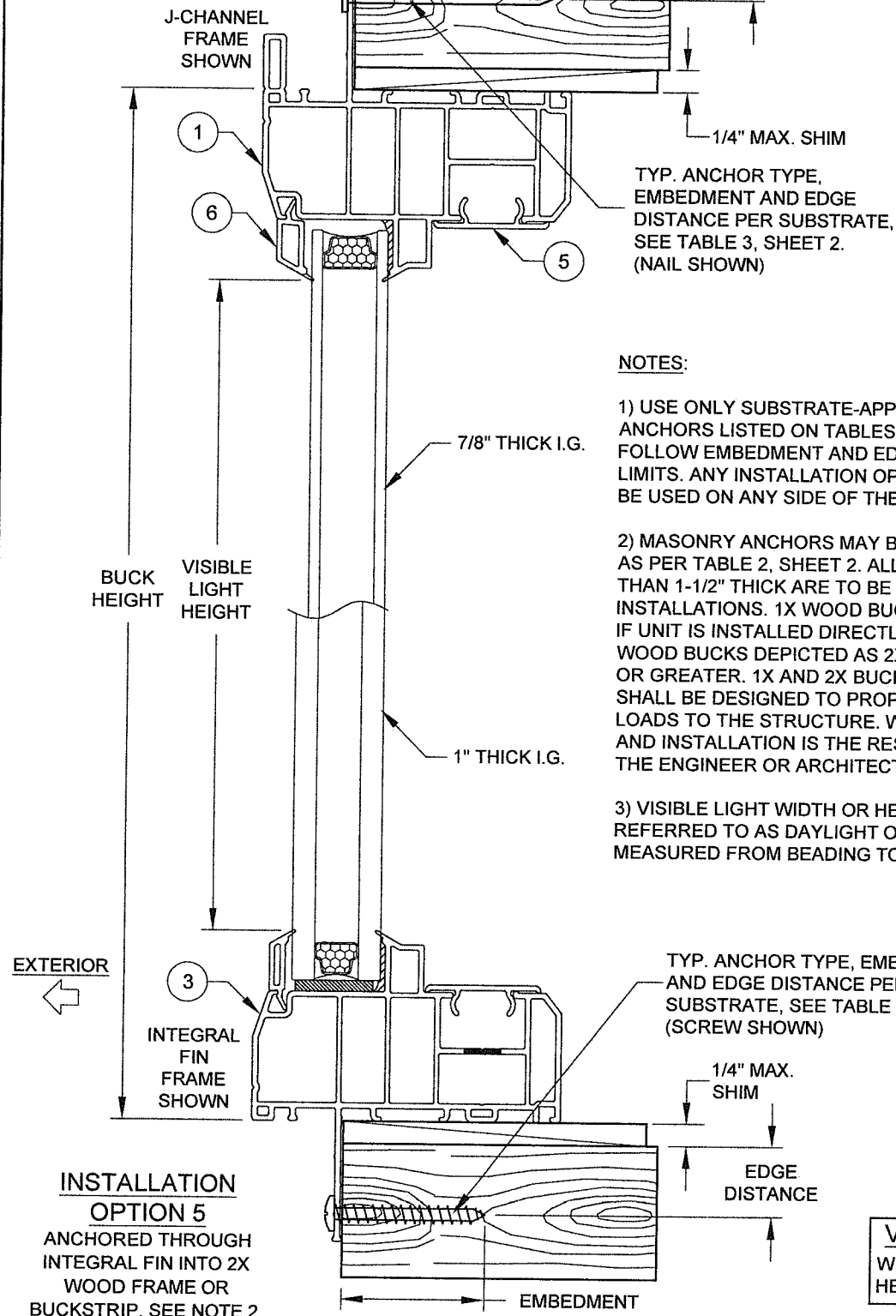
1070 TECHNOLOGY DRIVE
N. VENICE, FL 34275
(941)-480-1600

Series Desc.	Title	Date
VINYL FIXED WINDOW NOA (NI)	9/9/14	
FLANGE & EQUAL-LEG/BOX FRAMES	Drawn By	J ROSOWSKI
PW-5420	Scale	NTS
Sheet	3 OF 9	DWG No.
	MD-5420.0	Rev.
		C

ANTHONY LYNN MILLER
LICENSE
No. 58705
3/19/20
STATE OF FLORIDA
PROFESSIONAL ENGINEER
A. LYNN MILLER, P.E.
P.E.# 58705

INSTALLATION DETAILS FOR INTEGRAL FIN & J-CANNEL FRAMES

INSTALLATION OPTION 5
 ANCHORED THROUGH INTEGRAL FIN INTO 2X WOOD FRAME OR BUCKSTRIP. SEE NOTE 2, THIS SHEET.



TYP. ANCHOR TYPE, EMBEDMENT AND EDGE DISTANCE PER SUBSTRATE, SEE TABLE 3, SHEET 2. (NAIL SHOWN)

NOTES:

1) USE ONLY SUBSTRATE-APPROPRIATE ANCHORS LISTED ON TABLES 2 & 3, SHEET 2. FOLLOW EMBEDMENT AND EDGE DISTANCE LIMITS. ANY INSTALLATION OPTION SHOWN MAY BE USED ON ANY SIDE OF THE WINDOW.

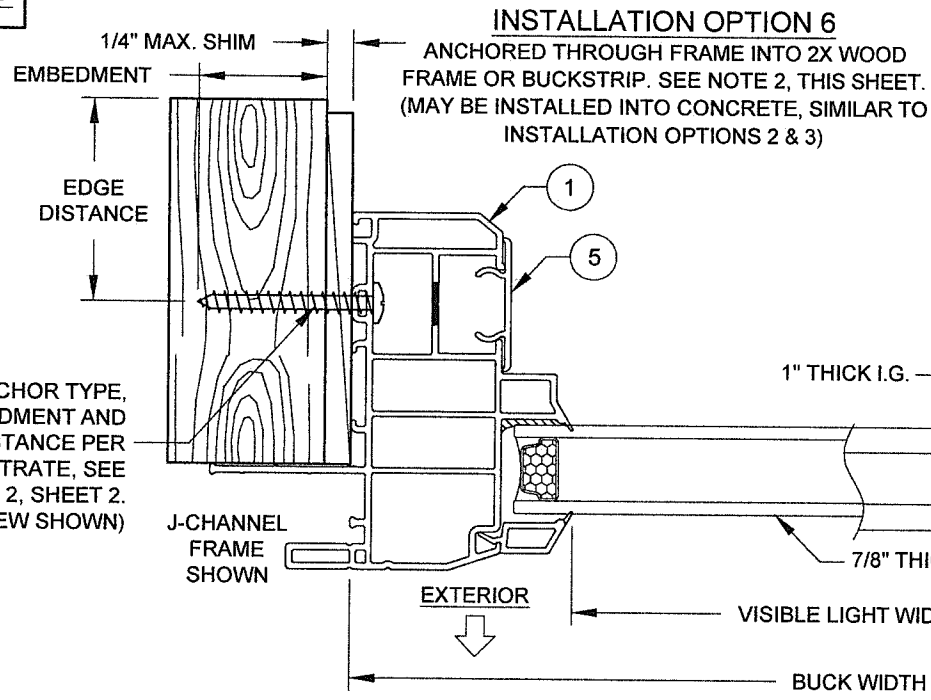
2) MASONRY ANCHORS MAY BE USED INTO WOOD AS PER TABLE 2, SHEET 2. ALL WOOD BUCKS LESS THAN 1-1/2" THICK ARE TO BE CONSIDERED 1X INSTALLATIONS. 1X WOOD BUCKS ARE OPTIONAL IF UNIT IS INSTALLED DIRECTLY TO SUBSTRATE. WOOD BUCKS DEPICTED AS 2X ARE 1-1/2" THICK OR GREATER. 1X AND 2X BUCKS (WHEN USED) SHALL BE DESIGNED TO PROPERLY TRANSFER LOADS TO THE STRUCTURE. WOOD BUCK DESIGN AND INSTALLATION IS THE RESPONSIBILITY OF THE ENGINEER OR ARCHITECT OF RECORD.

3) VISIBLE LIGHT WIDTH OR HEIGHT (ALSO REFERRED TO AS DAYLIGHT OPENING) IS MEASURED FROM BEADING TO BEADING.

TYP. ANCHOR TYPE, EMBEDMENT AND EDGE DISTANCE PER SUBSTRATE, SEE TABLE 3, SHEET 2. (SCREW SHOWN)

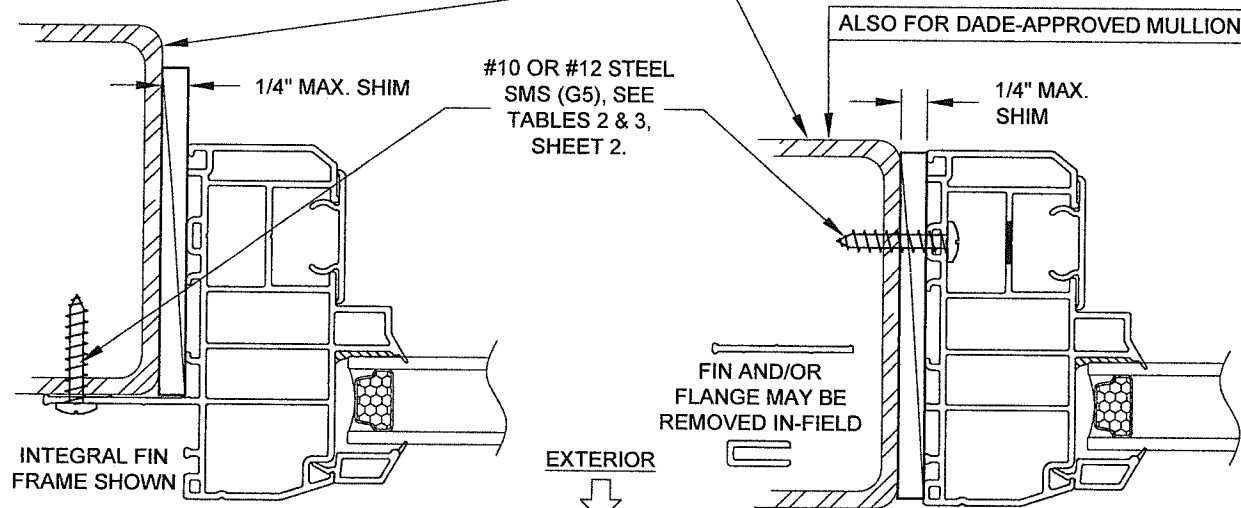
VISIBLE LIGHT FORMULAS
 WIDTH: BUCK WIDTH - 4-3/16"
 HEIGHT: BUCK HEIGHT - 4-3/16"

VERTICAL SECTION D-D



HORIZONTAL SECTION C-C

FBC COMPLIANT ALUMINUM/STEEL FRAMING OR STEEL STUD.
 MAY BE VERTICAL OR HORIZONTAL. SEE SUBSTRATE PROPERTIES, TABLES 2 & 3, SHEET 2.



INSTALLATION OPTION 7
 INSTALLATION THROUGH THE INTEGRAL FIN, INTO METAL, SEE TABLE 3, SHEET 2.

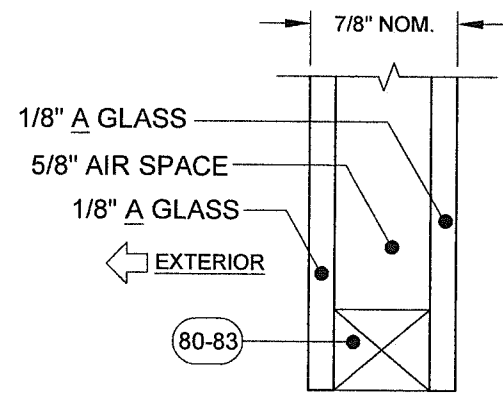
INSTALLATION OPTION 8
 INSTALLATION THROUGH THE FRAME, INTO METAL, SEE TABLE 2, SHEET 2.

PGT		1070 TECHNOLOGY DRIVE N. VENICE, FL 34275 (941)-480-1600	
REGISTRATION #29296			
Title	VINYL FIXED WINDOW NOA (NI)	Date	9/9/14
Series Desc.	J-CHANNEL & INTEGRAL FIN FRAMES	Drawn By	J ROSOWSKI
Scale	NTS	Sheet	4 OF 9
DWG No.	PW-5420	Rev.	C
			MD-5420.0

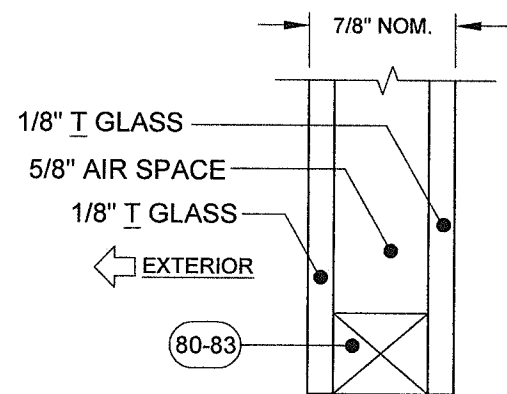
PRODUCT REVISED
 as complying with the Florida Building Code
 NOA-No. **20-0401.15**
 Expiration Date **04/30/2025**
 By *[Signature]*
Miami-Dade Product Control

C) DADE MULLION NOTE, INSTALL. OPTION 6 NOTE.
 AK - 03/16/20

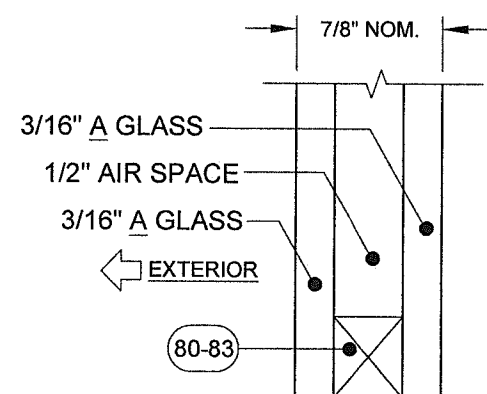
ANTHONY LYNN MILLER
 LICENSE
 No. 58705
 3/19/20
 STATE OF FLORIDA
 PROFESSIONAL ENGINEER
 A. LYNN MILLER, P.E.
 P.E.# 58705



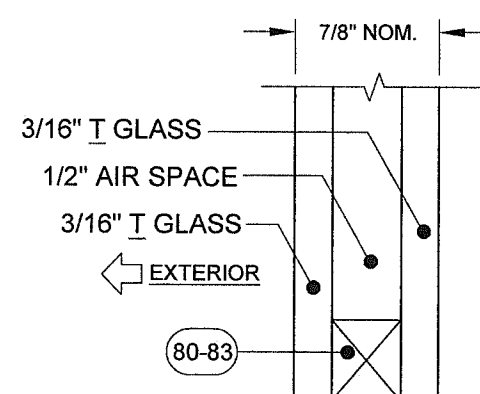
GLASS TYPE 1



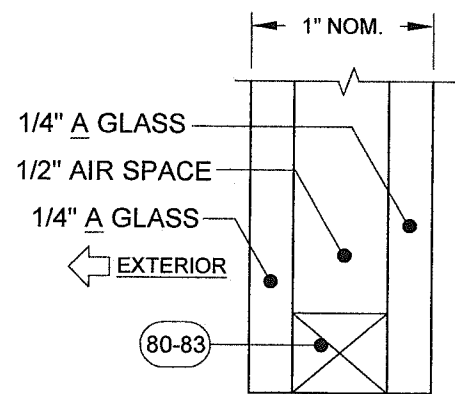
GLASS TYPE 2



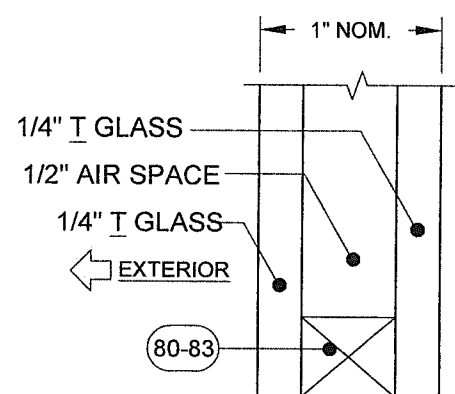
GLASS TYPE 3



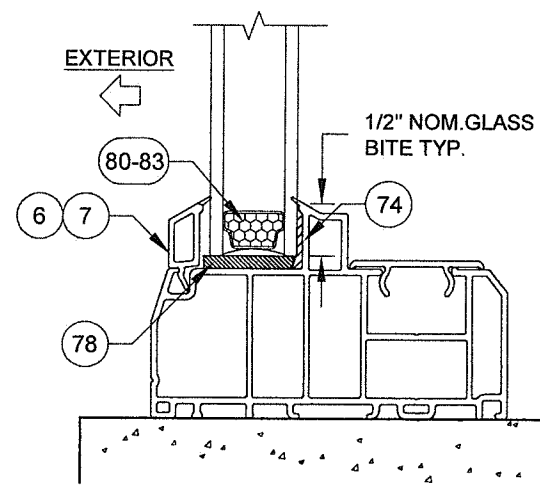
GLASS TYPE 4



GLASS TYPE 5



GLASS TYPE 6



TYP. GLAZING DETAIL

GLAZING NOTES:
 "A" = ANNEALED
 "T" = TEMPERED

PRODUCT REVISED
 as complying with the Florida
 Building Code
 NOA-No. **20-0401.15**
 Expiration Date **04/30/2025**
 By
 Miami-Dade Product Control

Revision: C) NO CHANGES THIS SHEET.
 AK - 03/16/20

1070 TECHNOLOGY DRIVE N. VENICE, FL 34275 (941)-480-1600	Date	9/9/14	Rev	C
	By	J ROSOWSKI	MD-5420.0	
	Drawn			
	No.			
 REGISTRATION #29296 VINYL FIXED WINDOW NOA (NI) GLAZING DETAILS	Scale	5 OF 9	Sheet	5 OF 9
	Scale	NTS		
	Series	PW-5420		

ANTHONY LYNN MILLER
 LICENSE
 No. 58705
 3/19/20
 STATE OF FLORIDA
 PROFESSIONAL ENGINEER
 A. LYNN MILLER, P.E.
 P.E.# 58705

TABLE 4:

Window Design Pressure, (+/- psf)												Use this table for Glass Type:	1	
1/8" A Cap - Airspace - 1/8" A														
Window Dimensions	Long Side (in)													
	51.05	54	56	58	62	64	68	72	76	80	84	87		
18	+80/-93.7	+80/-92.6	+80/-91.9	+80/-91.3	+80/-90.3	+80/-89.8	+80/-88.9	+80/-88.2	+80/-87.5	+80/-86.9	+80/-86.4	+80/-86.1		
20	+80/-86.4	+80/-85.2	+80/-84.5	+80/-83.5	+80/-80.6	+/-79.4	+/-77	+/-75.2	+/-74	+/-73.1	+/-72.2	+/-71.5		
22	+80/-80.3	+/-75.2	+/-73.3	+/-71.5	+/-68.4	+/-67	+/-64.4	+/-62.5	+/-60.7	+/-59.2	+/-58	+/-57.1		
24	+/-75.6	+/-71.3	+/-68.2	+/-65.7	+/-60.7	+/-58.5	+/-55.3	+/-53.1	+/-51.1	+/-49.7	+/-48.2	+/-47.3		
26	+/-71.7	+/-70.2	+/-67	+/-63.5	+/-56.7	+/-54.7	+/-50.9	+/-47.7	+/-45.5	+/-43.7	+/-42.3	+/-41.2		
28	+/-68.3	+/-67	+/-66.1	+/-63.5	+/-56.3	+/-54	+/-49.5	+/-45.5	+/-42.8	+/-40.3	+/-38	+/-37.1		
30	+/-65.6	+/-64.1	+/-63.2	+/-62.4	+/-56.9	+/-54.4	+/-49.7	+/-45.4	+/-42.1	+/-38.9	+/-36.4			
32	+/-63.2	+/-61.7	+/-60.8	+/-59.9	+/-57.8	+/-54.9	+/-50.2	+/-45.9	+/-42.5	+/-38.9				
34	+/-61.2	+/-59.6	+/-58.6	+/-57.8	+/-56.3	+/-55.1	+/-50.8	+/-46.4	+/-43.2					
36	+/-59.6	+/-57.9	+/-56.8	+/-55.9	+/-54.4	+/-53.7	+/-50.8	+/-46.6						
38	+/-58.2	+/-56.4	+/-55.3	+/-54.3	+/-52.7	+/-52	+/-49.5							
40	+/-57.1	+/-55.1	+/-54	+/-53	+/-51.3	+/-50.5								
42	+/-56.2	+/-54.1	+/-52.9	+/-51.8	+/-50									
44	+/-55.5	+/-53.3	+/-52	+/-50.8										
46	+/-54.9	+/-52.6	+/-51.1											
48	+/-53.5	+/-50.8												
51.05	+/-50.6													

MAX. O.C. SPACING IF ANCHORING THROUGH THE FRAME PER SHEETS 3 & 4	MAX. O.C. SPACING IF ANCHORING THROUGH THE INTEGRAL FIN PER SHEET 4
APPLIES TO A, B, C OR D ANCHORS (SEE TABLE 2)	APPLIES TO E OR F ANCHORS (SEE TABLE 3)
15"	4"

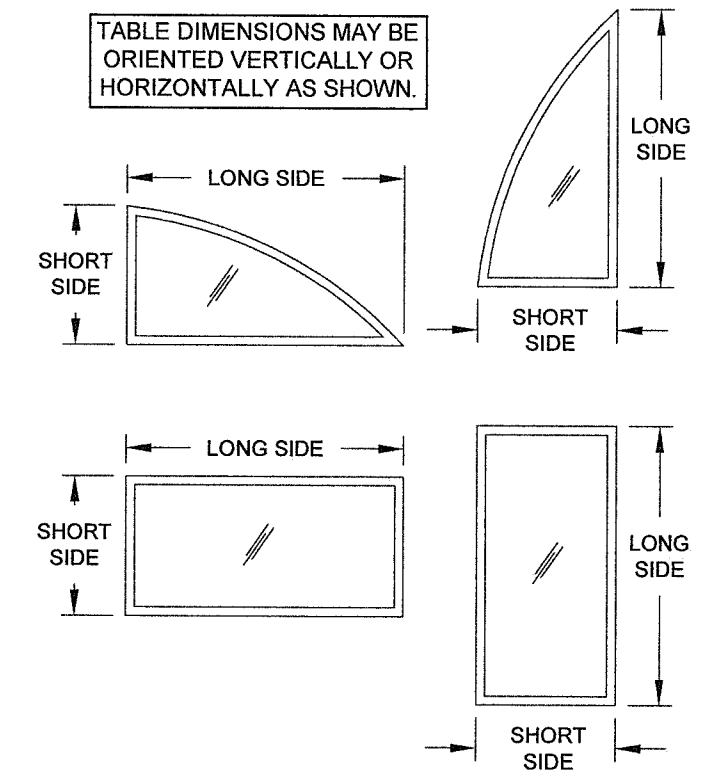


TABLE 5:

Window Design Pressure, (+/- psf)												Use this table for Glass Type:	2
1/8" T Cap - Airspace - 1/8" T													
Window Dimensions	Long Side (in)												
	60.926	64	66	68	70	74	77	80	84	87	92	97	99
32	+80/-98.2	+80/-96.6	+80/-95.6	+80/-94.7	+80/-93.9	+80/-92.4	+80/-91.4	+80/-90.5	+80/-89.5	+80/-88.7	+80/-87.7	+80/-86.7	+80/-86.4
34	+80/-94.5	+80/-92.8	+80/-91.8	+80/-90.9	+80/-90	+80/-88.5	+80/-87.5	+80/-86.6	+80/-85.5	+80/-84.7	+80/-83.6	+80/-82.6	+80/-82.3
36	+80/-91.4	+80/-89.6	+80/-88.5	+80/-87.6	+80/-86.7	+80/-85.1	+80/-84	+80/-83.1	+80/-81.9	+80/-81.2	+/-80	+/-79	+/-78.7
38	+80/-88.6	+80/-86.7	+80/-85.6	+80/-84.6	+80/-83.7	+80/-82.1	+80/-81	+/-80	+/-78.8	+/-78	+/-76.9	+/-75.8	
40	+80/-86.3	+80/-84.3	+80/-83.1	+80/-82.1	+80/-81.1	+/-79.4	+/-78.3	+/-77.3	+/-76	+/-75.2	+/-74		
42	+80/-84.2	+80/-82.1	+80/-80.9	+/-79.8	+/-78.8	+/-77	+/-75.9	+/-74.8	+/-73.6	+/-72.7			
44	+80/-82.4	+80/-80.3	+/-79	+/-77.9	+/-76.8	+/-75	+/-73.7	+/-72.7	+/-71.4				
46	+80/-80.9	+/-78.6	+/-77.3	+/-76.1	+/-75	+/-73.1	+/-71.8	+/-70.7					
48	+/-79.7	+/-77.3	+/-75.9	+/-74.6	+/-73.5	+/-71.5	+/-70.1						
50	+/-78.6	+/-76.1	+/-74.6	+/-73.3	+/-72.1	+/-70							
52	+/-77.7	+/-75.1	+/-73.5	+/-72.2	+/-70.9								
54	+/-77.1	+/-74.2	+/-72.6	+/-71.2									
56	+/-76.6	+/-73.6	+/-71.9										
58	+/-76.3	+/-73.1											
60.926	+/-76.1												

MAX. O.C. SPACING IF ANCHORING THROUGH THE FRAME PER SHEETS 3 & 4	MAX. O.C. SPACING IF ANCHORING THROUGH THE INTEGRAL FIN PER SHEET 4
APPLIES TO B, C OR D ANCHORS (SEE TABLE 2)	APPLIES TO F ANCHORS (SEE TABLE 3)
15.5"	4"

- NOTES:
- 1) BUCK DIMENSIONS SHOWN.
 - 2) FOR SIZES NOT SHOWN, ROUND UP TO THE NEXT AVAILABLE SHORT OR LONG DIMENSION.
 - 3) FOR ARCHITECTURAL WINDOWS (SEE SHEET 2), FIND THE SMALLEST SQUARE WINDOW SIZE IN THE TABLE(S) ABOVE WHICH THE ARCHITECTURAL WINDOW WILL COMPLETELY FIT WITHIN.

PRODUCT REVISED
as complying with the Florida Building Code
NOA-No. **20-0401.15**
Expiration Date **04/30/2025**
By
Miami-Dade Product Control

Revision: C) NO CHANGES THIS SHEET.
AK - 03/16/20

1070 TECHNOLOGY DRIVE N. VENICE, FL 34275 (941)-480-1600	Date	9/9/14	Rev.	C
	By	J ROSOWSKI	DWG No.	MD-5420.0
	Drawn	J ROSOWSKI	Sheet	6 OF 9
	Scale	NTS	Series	PW-5420

REGISTRATION #29296
VINYL FIXED WINDOW NOA (NI)
DESIGN PRESSURE TABLES A

ANTHONY LYNN MILLER
LICENSE
No. 58705
3/19/20
STATE OF FLORIDA
PROFESSIONAL ENGINEER

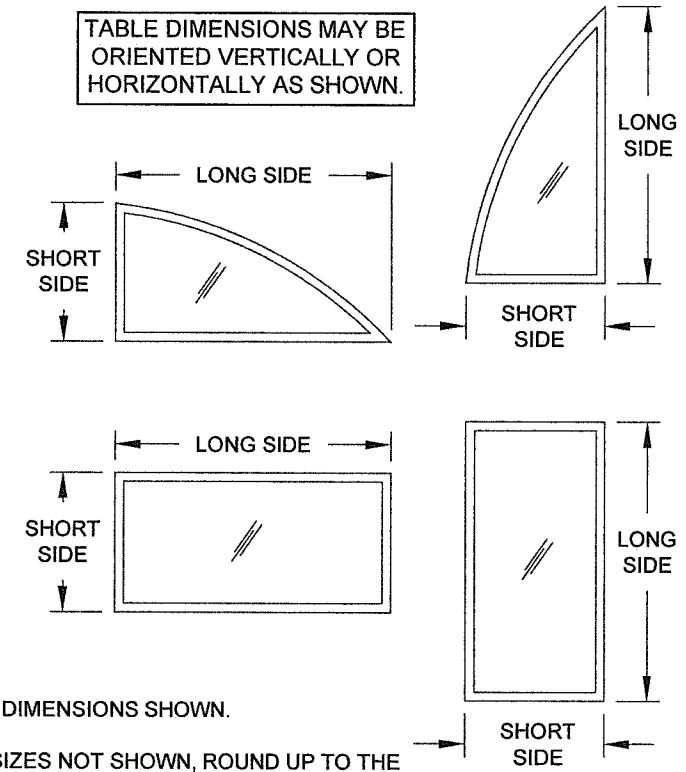
A. LYNN MILLER, P.E.
P.E.# 58705

TABLE 6:

Window Design Pressure, (+/- psf)													Use this table for Glass Type:	3
3/16" A Cap - Airspace - 3/16" A														
Window Dimensions	Long Side (in)													
	69.65	71	73	75	78	80	85	86	89	92	96	99		
32	+/-76.9	+/-76.4	+/-74.3	+/-72.5	+/-70.6	+/-69.3	+/-66.2	+/-65.7	+/-64.1	+/-62.6	+/-60.8	+/-59.8		
34	+/-73.7	+/-73.3	+/-71.3	+/-69.7	+/-66.8	+/-65	+/-61	+/-60.3	+/-58.1	+/-56.3	+/-54.7	+/-53.8		
36	+/-71	+/-70.5	+/-69.8	+/-67.9	+/-64.4	+/-62.5	+/-57.2	+/-56.3	+/-54.7	+/-52.9	+/-50.9	+/-49.7		
38	+/-68.6	+/-68.1	+/-67.4	+/-66.8	+/-63.5	+/-61	+/-55.6	+/-54.9	+/-52.7	+/-50.6	+/-48.2	+/-46.4		
40	+/-66.4	+/-65.9	+/-65.2	+/-64.6	+/-63.2	+/-60.7	+/-55.1	+/-54.2	+/-52	+/-49.7	+/-46.4	+/-45.2		
42	+/-64.6	+/-64	+/-63.3	+/-62.6	+/-61.7	+/-60.5	+/-55.1	+/-54.2	+/-51.7	+/-49.1	+/-46.3	+/-44.5		
44	+/-62.9	+/-62.4	+/-61.6	+/-60.9	+/-60	+/-59.4	+/-55.1	+/-54.2	+/-51.8	+/-49.1	+/-46.1	+/-44.5		
46	+/-61.5	+/-60.9	+/-60.1	+/-59.4	+/-58.4	+/-57.8	+/-55.1	+/-54.2	+/-51.8	+/-49.3	+/-46.3	+/-44.5		
48	+/-60.2	+/-59.6	+/-58.8	+/-58	+/-57	+/-56.4	+/-55	+/-54.2	+/-51.8	+/-49.5	+/-46.4	+/-44.6		
50	+/-59.1	+/-58.5	+/-57.6	+/-56.8	+/-55.8	+/-55.1	+/-53.7	+/-53.4	+/-51.8	+/-49.5	+/-46.6			
52	+/-58.1	+/-57.5	+/-56.6	+/-55.8	+/-54.6	+/-54	+/-52.5	+/-52.2	+/-51.5	+/-49.3				
54	+/-57.3	+/-56.6	+/-55.7	+/-54.8	+/-53.7	+/-53	+/-51.4	+/-51.1	+/-50.4					
56	+/-56.6	+/-55.9	+/-54.9	+/-54	+/-52.8	+/-52	+/-50.4	+/-50.2						
57	+/-56.3	+/-55.5	+/-54.5	+/-53.6	+/-52.4	+/-51.6	+/-50							
60	+/-55.5	+/-54.7	+/-53.6	+/-52.6	+/-51.3	+/-50.5								
62	+/-55.1	+/-54.2	+/-53.1	+/-52.1	+/-50.7									
64	+/-54.8	+/-53.9	+/-52.7	+/-51.6										
66	+/-54.5	+/-53.6	+/-52.4											
68	+/-53.6	+/-53.1												
69.65	+/-52.6													

MAX. O.C. SPACING IF ANCHORING THROUGH THE FRAME PER SHEETS 3 & 4	MAX. O.C. SPACING IF ANCHORING THROUGH THE INTEGRAL FIN PER SHEET 4
APPLIES TO A, B, C OR D ANCHORS (SEE TABLE 2)	APPLIES TO E OR F ANCHORS (SEE TABLE 3)
15"	3" FOR E ANCHORS, 4" FOR F ANCHORS

TABLE DIMENSIONS MAY BE ORIENTED VERTICALLY OR HORIZONTALLY AS SHOWN.



- NOTES:
- BUCK DIMENSIONS SHOWN.
 - FOR SIZES NOT SHOWN, ROUND UP TO THE NEXT AVAILABLE SHORT OR LONG DIMENSION.
 - FOR ARCHITECTURAL WINDOWS (SEE SHEET 2), FIND THE SMALLEST SQUARE WINDOW SIZE IN THE TABLE(S) ABOVE WHICH THE ARCHITECTURAL WINDOW WILL COMPLETELY FIT WITHIN.

TABLE 7:

Window Design Pressure, (+/- psf)																			Use this table for Glass Type:	4
3/16" T Cap - Airspace - 3/16" T																				
Window Dimensions	Long Side (in)																			
	81.52	83	85	87	89	92	94	97	99	103	107	110	113	118	122	126	132	138	144	
46	+80/-94	+80/-93.3	+80/-92.5	+80/-91.7	+80/-91	+80/-89.9	+80/-89.3	+80/-88.4	+80/-87.9	+80/-86.8	+80/-85.9	+80/-85.3	+80/-84.7	+80/-83.8	+80/-83.1	+80/-82.5	+80/-81.7	+80/-80.9	+80/-80.3	
48	+80/-91.6	+80/-90.9	+80/-90.1	+80/-89.3	+80/-88.5	+80/-87.5	+80/-86.8	+80/-85.9	+80/-85.3	+80/-84.3	+80/-83.3	+80/-82.7	+80/-82.1	+80/-81.2	+80/-80.5	+/-79.9	+/-79	+/-78.3		
50	+80/-89.5	+80/-88.8	+80/-87.9	+80/-87.1	+80/-86.3	+80/-85.2	+80/-84.5	+80/-83.6	+80/-83	+80/-82	+80/-81	+80/-80.3	+/-79.7	+/-78.7	+/-78.1	+/-77.4	+/-76.6			
52	+80/-87.6	+80/-86.9	+80/-86	+80/-85.1	+80/-84.3	+80/-83.2	+80/-82.5	+80/-81.5	+80/-80.9	+/-79.8	+/-78.8	+/-78.1	+/-77.5	+/-76.5	+/-75.8	+/-75.2				
54	+80/-85.9	+80/-85.2	+80/-84.2	+80/-83.3	+80/-82.5	+80/-81.3	+80/-80.6	+/-79.6	+/-79	+/-77.9	+/-76.9	+/-76.2	+/-75.5	+/-74.5	+/-73.8					
56	+80/-84.4	+80/-83.6	+80/-82.6	+80/-81.7	+80/-80.8	+/-79.7	+/-78.9	+/-77.9	+/-77.3	+/-76.1	+/-75	+/-74.3	+/-73.7	+/-72.6						
58	+80/-83	+80/-82.2	+80/-81.2	+80/-80.2	+/-79.4	+/-78.1	+/-77.4	+/-76.3	+/-75.7	+/-74.5	+/-73.4	+/-72.7	+/-72							
60	+80/-81.8	+80/-81	+/-79.9	+/-78.9	+/-78	+/-76.7	+/-76	+/-74.9	+/-74.2	+/-73	+/-71.9	+/-71.1								
62	+80/-80.8	+/-79.9	+/-78.8	+/-77.8	+/-76.8	+/-75.5	+/-74.7	+/-73.6	+/-72.9	+/-71.6	+/-70.5									
64	+/-79.8	+/-78.9	+/-77.8	+/-76.7	+/-75.7	+/-74.3	+/-73.5	+/-72.4	+/-71.6	+/-70.3										
67	+/-78.6	+/-77.7	+/-76.4	+/-75.3	+/-74.3	+/-72.8	+/-72	+/-70.7	+/-70											
68	+/-78.3	+/-77.3	+/-76.1	+/-74.9	+/-73.8	+/-72.4	+/-71.5	+/-70.3												
70	+/-77.7	+/-76.7	+/-75.4	+/-74.2	+/-73.1	+/-71.5	+/-70.6													
72	+/-77.2	+/-76.1	+/-74.8	+/-73.5	+/-72.4	+/-70.8														
74	+/-76.8	+/-75.7	+/-74.3	+/-73	+/-71.8															
76	+/-76.5	+/-75.3	+/-73.8	+/-72.5																
78	+/-76.3	+/-75	+/-73.5																	
80	+/-76.2	+/-74.9																		
81.52	+/-76.1																			

MAX. O.C. SPACING IF ANCHORING THROUGH THE FRAME PER SHEETS 3 & 4	MAX. O.C. SPACING IF ANCHORING THROUGH THE INTEGRAL FIN PER SHEET 4
APPLIES TO B, C OR D ANCHORS (SEE TABLE 2)	APPLIES TO F ANCHORS (SEE TABLE 3)
15.5"	3.3"

PRODUCT REVISED
 as complying with the Florida Building Code
 NOA-No. **20-0401.15**
 Expiration Date **04/30/2025**
 By *[Signature]*
 Miami-Dade Product Control

Revision: C) NO CHANGES THIS SHEET.
 AK - 03/16/20

1070 TECHNOLOGY DRIVE
 N. VENICE, FL 34275
 (941)-480-1600

REGISTRATION #29296

VINYL FIXED WINDOW NOA (NI)

DESIGN PRESSURE TABLES B

PW-5420 NTS

7 OF 9

J ROSOWSKI

9/9/14

MD-5420.0

C

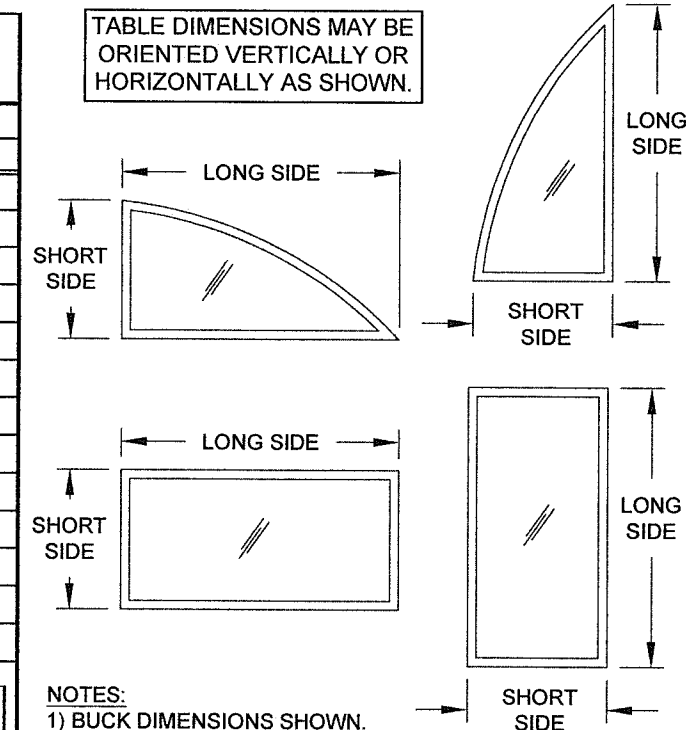
ANTHONY LYNN MILLER
 LICENSE
 No. 58705
 3/19/20
 STATE OF FLORIDA
 PROFESSIONAL ENGINEER

A. LYNN MILLER, P.E.
 P.E.# 58705

TABLE 8:

Window Design Pressure, (+/- psf)		1/4" A Cap - Airspace - 1/4" A												Use this table for Glass Type:	5	
Window Dimensions	Short Side (in)	Long Side (in)														
		81.52	83	85	87	89	92	94	97	99	103	107	110			111
46		+/-67.1	+/-66.7	+/-66.1	+/-65.3	+/-63.2	+/-60.1	+/-58	+/-55.1	+/-53.6	+/-51.3	+/-48.8	+/-46.8	+/-46.4		
48		+/-65.4	+/-65	+/-64.3	+/-63.8	+/-62.8	+/-59.8	+/-57.6	+/-54.9	+/-53.5	+/-50.6	+/-47.9	+/-46.3	+/-45.7		
50		+/-63.9	+/-63.4	+/-62.8	+/-62.2	+/-61.6	+/-59.4	+/-57.2	+/-54.9	+/-53.5	+/-50.6	+/-47.3	+/-45.9	+/-45.4		
52		+/-62.6	+/-62.1	+/-61.4	+/-60.8	+/-60.2	+/-59.2	+/-57.1	+/-54.7	+/-53.5	+/-50.6	+/-47.5	+/-45.7	+/-45.4		
54		+/-61.4	+/-60.8	+/-60.2	+/-59.5	+/-58.9	+/-58.1	+/-56.9	+/-54.7	+/-53.3	+/-50.6	+/-47.5	+/-45.9	+/-45.4		
56		+/-60.3	+/-59.7	+/-59	+/-58.4	+/-57.7	+/-56.9	+/-56.4	+/-54.5	+/-53.3	+/-50.4	+/-47.5	+/-45.9	+/-45.5		
58		+/-59.3	+/-58.7	+/-58	+/-57.3	+/-56.7	+/-55.8	+/-55.3	+/-54.4	+/-53.1	+/-50.4	+/-47.7	+/-45.9	+/-45.5		
60		+/-58.5	+/-57.8	+/-57.1	+/-56.4	+/-55.7	+/-54.8	+/-54.3	+/-53.5	+/-52.7	+/-50.4	+/-47.7	+/-45.9			
62		+/-57.7	+/-57.1	+/-56.3	+/-55.5	+/-54.9	+/-53.9	+/-53.3	+/-52.5	+/-52	+/-49.9	+/-47.7				
64		+/-57	+/-56.4	+/-55.5	+/-54.8	+/-54.1	+/-53.1	+/-52.5	+/-51.7	+/-51.2	+/-49.3					
67		+/-56.2	+/-55.5	+/-54.6	+/-53.8	+/-53	+/-52	+/-51.4	+/-50.5	+/-50						
68		+/-55.9	+/-55.2	+/-54.3	+/-53.5	+/-52.7	+/-51.7	+/-51.1	+/-50.2							
70		+/-55.5	+/-54.8	+/-53.8	+/-53	+/-52.2	+/-51.1	+/-50.4								
72		+/-55.1	+/-54.4	+/-53.4	+/-52.5	+/-51.7	+/-50.6									
74		+/-54.8	+/-54	+/-53	+/-52.1	+/-51.3										
76		+/-54.6	+/-53.8	+/-52.7	+/-51.8											
78		+/-53.6	+/-52.9	+/-51.8												
80		+/-52.6	+/-51.8													
81.52		+/-51.5														

TABLE DIMENSIONS MAY BE ORIENTED VERTICALLY OR HORIZONTALLY AS SHOWN.



- NOTES:
 1) BUCK DIMENSIONS SHOWN.
 2) FOR SIZES NOT SHOWN, ROUND UP TO THE NEXT AVAILABLE SHORT OR LONG DIMENSION.
 3) FOR ARCHITECTURAL WINDOWS (SEE SHEET 2), FIND THE SMALLEST SQUARE WINDOW SIZE IN THE TABLE(S) ABOVE WHICH THE ARCHITECTURAL WINDOW WILL COMPLETELY FIT WITHIN.

MAX. O.C. SPACING IF ANCHORING THROUGH THE FRAME PER SHEETS 3 & 4	MAX. O.C. SPACING IF ANCHORING THROUGH THE INTEGRAL FIN PER SHEET 4
APPLIES TO A, B, C OR D ANCHORS (SEE TABLE 2)	APPLIES TO E OR F ANCHORS (SEE TABLE 3)
15"	2.6" FOR E ANCHORS, 4" FOR F ANCHORS

PRODUCT REVISED
 as complying with the Florida Building Code
 NOA-No. **20-0401.15**
 Expiration Date **04/30/2025**
 By *[Signature]*
Miami-Dade Product Control

Revision: C) NO CHANGES THIS SHEET.
 AK - 03/16/20

TABLE 9:

Window Design Pressure, (+/- psf)		1/4" T Cap - Airspace - 1/4" T																	Use this table for Glass Type:	6
Window Dimensions	Short Side (in)	Long Side (in)																		
		84.85	86	90	92	94	97	100	102	105	109	112	116	120	124	128	133	138		
46		+80/-96.2	+80/-95.7	+80/-94.2	+80/-93.5	+80/-92.8	+80/-91.9	+80/-91.1	+80/-90.5	+80/-89.8	+80/-88.9	+80/-88.2	+80/-87.5	+80/-86.7	+80/-86.1	+80/-85.5	+80/-84.8	+80/-84.1	+80/-83.5	
48		+80/-93.7	+80/-93.2	+80/-91.6	+80/-90.9	+80/-90.2	+80/-89.3	+80/-88.4	+80/-87.9	+80/-87.1	+80/-86.2	+80/-85.5	+80/-84.7	+80/-84	+80/-83.3	+80/-82.7	+80/-82	+80/-81.3	+80/-80.6	
50		+80/-91.5	+80/-91	+80/-89.3	+80/-88.6	+80/-87.9	+80/-86.9	+80/-86	+80/-85.5	+80/-84.7	+80/-83.7	+80/-83	+80/-82.2	+80/-81.5	+80/-80.8	+80/-80.2	+/-79.4	+/-78.8	+/-78.1	
52		+80/-89.4	+80/-88.9	+80/-87.2	+80/-86.5	+80/-85.7	+80/-84.7	+80/-83.8	+80/-83.3	+80/-82.4	+80/-81.5	+80/-80.8	+/-80	+/-79.2	+/-78.5	+/-77.8	+/-77.1	+/-76.4		
54		+80/-87.6	+80/-87.1	+80/-85.3	+80/-84.5	+80/-83.8	+80/-82.8	+80/-81.8	+80/-81.2	+80/-80.4	+/-79.4	+/-78.7	+/-77.9	+/-77.1	+/-76.4	+/-75.7	+/-74.9			
56		+80/-86	+80/-85.4	+80/-83.6	+80/-82.8	+80/-82	+80/-81	+/-80	+/-79.4	+/-78.5	+/-77.5	+/-76.8	+/-75.9	+/-75.1	+/-74.4	+/-73.7				
58		+80/-84.5	+80/-83.9	+80/-82.1	+80/-81.2	+80/-80.4	+/-79.3	+/-78.3	+/-77.7	+/-76.8	+/-75.8	+/-75	+/-74.2	+/-73.3	+/-72.6					
60		+80/-83.2	+80/-82.6	+80/-80.6	+/-79.8	+/-79	+/-77.8	+/-76.8	+/-76.2	+/-75.3	+/-74.2	+/-73.4	+/-72.5	+/-71.7						
62		+80/-82	+80/-81.3	+/-79.4	+/-78.5	+/-77.6	+/-76.5	+/-75.4	+/-74.7	+/-73.8	+/-72.7	+/-71.9	+/-71							
64		+80/-80.9	+80/-80.3	+/-78.2	+/-77.3	+/-76.4	+/-75.2	+/-74.1	+/-73.4	+/-72.5	+/-71.3	+/-70.6								
66		+/-80	+/-79.3	+/-77.2	+/-76.2	+/-75.3	+/-74.1	+/-72.9	+/-72.2	+/-71.3	+/-70.1									
68		+/-79.2	+/-78.5	+/-76.2	+/-75.2	+/-74.3	+/-73	+/-71.9	+/-71.2	+/-70.2										
70		+/-78.4	+/-77.7	+/-75.4	+/-74.4	+/-73.4	+/-72.1	+/-70.9	+/-70.2											
72		+/-77.8	+/-77.1	+/-74.7	+/-73.6	+/-72.6	+/-71.2	+/-70												
74		+/-77.3	+/-76.5	+/-74	+/-72.9	+/-71.9	+/-70.5													
76		+/-76.9	+/-76	+/-73.5	+/-72.3	+/-71.2														
78		+/-76.5	+/-75.7	+/-73	+/-71.8															
80		+/-76.3	+/-75.4	+/-72.6																
83		+/-76.1	+/-75.1																	
84.85		+/-76																		

MAX. O.C. SPACING IF ANCHORING THROUGH THE FRAME PER SHEETS 3 & 4	MAX. O.C. SPACING IF ANCHORING THROUGH THE INTEGRAL FIN PER SHEET 4
APPLIES TO B, C OR D ANCHORS (SEE TABLE 2)	APPLIES TO F ANCHORS (SEE TABLE 3)
15.5"	3.2"

1070 TECHNOLOGY DRIVE
 N. VENICE, FL 34275
 (941)-480-1600

REGISTRATION #29296

VINYL FIXED WINDOW NOA (NI)

DESIGN PRESSURE TABLES C

8 OF 9

PW-5420

J ROSOWSKI

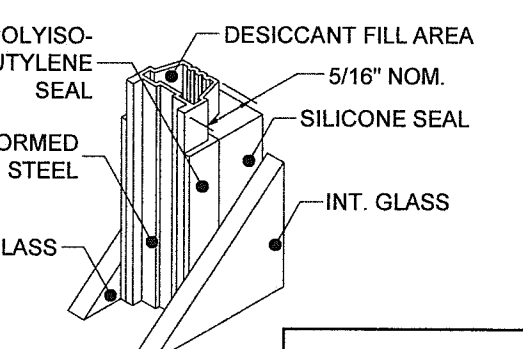
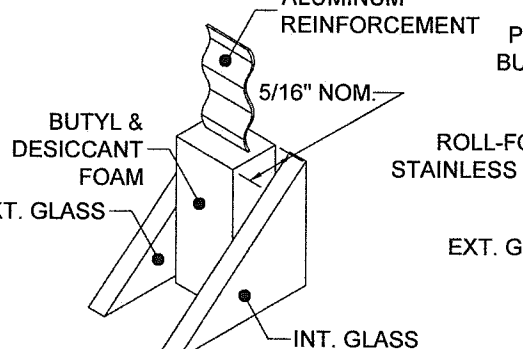
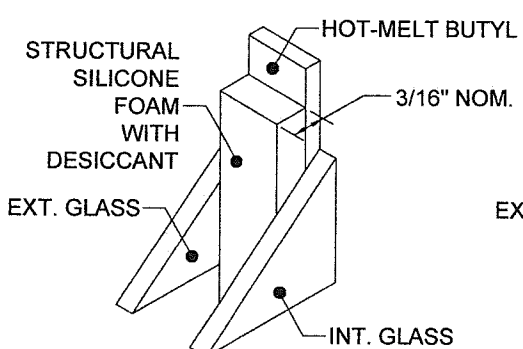
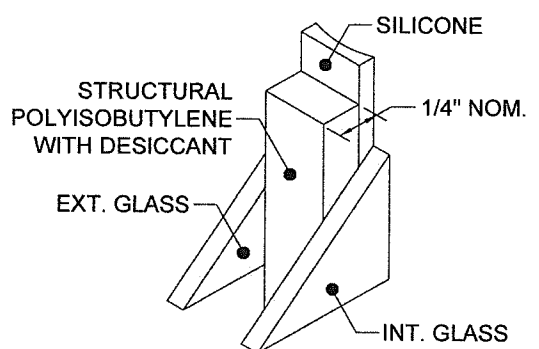
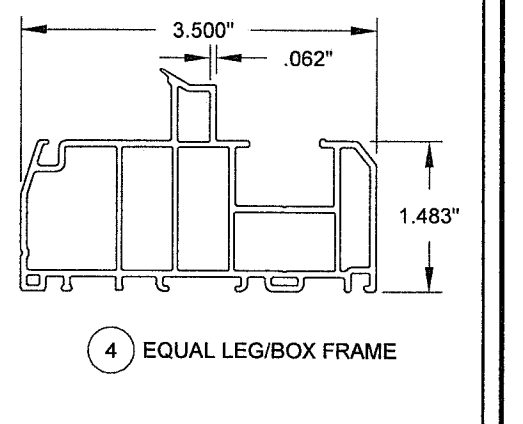
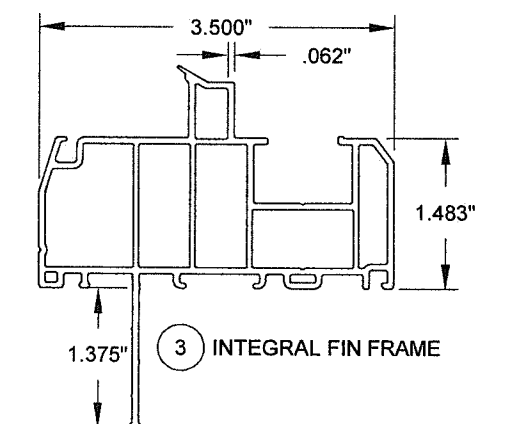
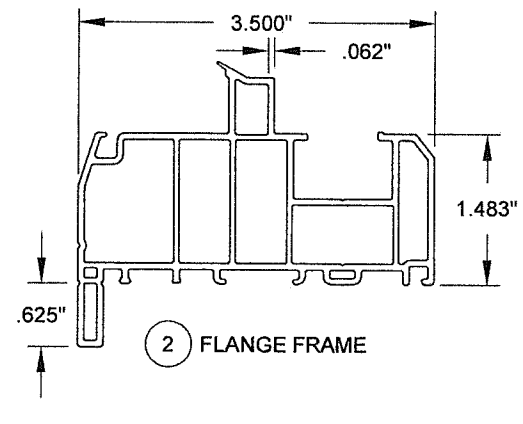
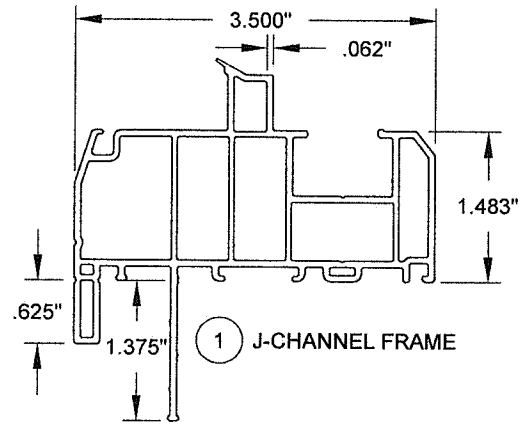
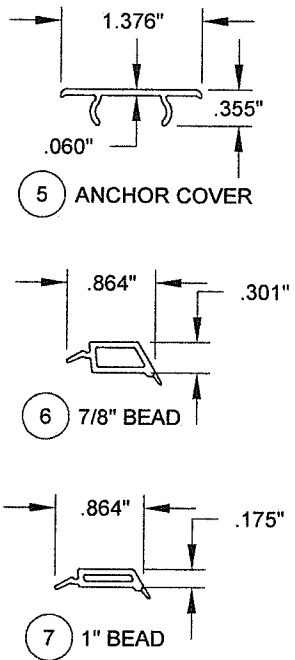
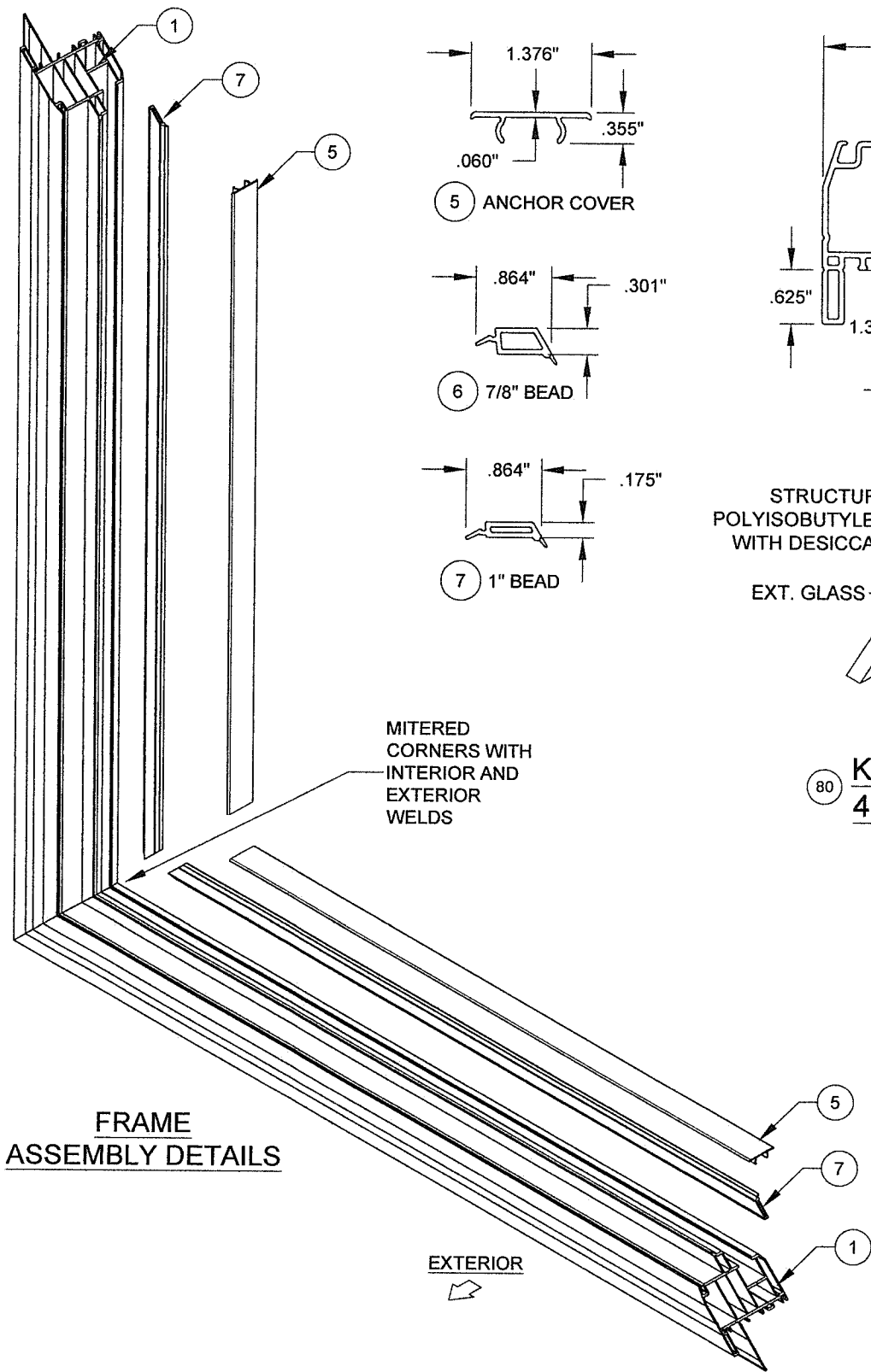
9/9/14

MD-5420.0

C

ANTHONY LYNN MILLER
 LICENSE
 No. 58705
 3/19/20
 STATE OF FLORIDA
 PROFESSIONAL ENGINEER

A. LYNN MILLER, P.E.
 P.E.# 58705



80 **KODISPACE 4SG TPS**

81 **SUPER SPACER NXT™**

82 **DURASEAL® SPACER**

83 **XL EDGE™ SPACER**

TABLE 10:

#	Part #	Description	Material
1	620117	J-channel Frame	PVC
2	620118	Flange Frame	PVC
3	620119	Integral Fin Frame	PVC
4	620120	Equal Leg/Box Frame	PVC
5	620133	Anchor Cover	PVC
6	720136	7/8" Glazing Bead	PVC
7	720135	1" Glazing Bead	PVC
74		Backbedding, GE 7700 or Dow 791 or Dow 983	Silicone
78	71646N	Setting Block (7/8" x 1" x 1/8"), 85 +/- 5 duro.	EPDM

NOTES:
 1) SOME PARTS NOT SHOWN FOR CLARITY.
 2) J-CHANNEL FRAME SHOWN, PARTS #1. OTHER FRAME TYPES APPLY.
 3) ITEMS # 8-73, 75-77, 79 & 84-89 ARE NOT USED AND ARE NOT PART OF THIS APPROVAL.
 4) ENERGI PVC TO BE LABELED FOR AAMA EXTRUDER CODE.

Part #	Description	Material
80	Kommerling 4SG TPS Spacer System	See this Sheet for Materials
81	Quanex Super Spacer nXT with Hot Melt Butyl	
82	Quanex Duraseal Spacer	
83	Cardinal XL Edge Spacer	

REFERENCE TEST REPORTS: FTL-8717, 8968 & 8970

PRODUCT REVISED
 as complying with the Florida Building Code
 NOA-No. **20-0401.15**
 Expiration Date **04/30/2025**
 By *[Signature]*
 Miami-Dade Product Control

Revision
 C) ADDED BACKBEDDING.
 AK - 03/16/20

P&G
 REGISTRATION #29296

1070 TECHNOLOGY DRIVE
 N. VENICE, FL 34275
 (941)-480-1600

Title	VINYL FIXED WINDOW NOA (NI)	Date	9/9/14
Desc.	BOM & ASSEMBLY	Drawn By	J ROSOWSKI
Series	PW-5420	Scale	NTS
Sheet	9 OF 9	DWG No.	MD-5420.0
Rev.	C		

ANTHONY LYNN MILLER
 LICENSE
 No. 58705
 3/19/20
 STATE OF FLORIDA
 PROFESSIONAL ENGINEER

A. LYNN MILLER, P.E.
 P.E.# 58705