

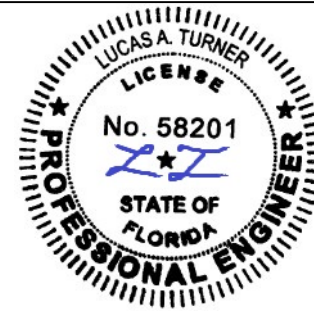
MODEL DESIGNATION: Simonton Horizontal Slider Series 07-09 / 07-10 / 07-20 Vinyl Impact Window

MAXIMUM OVERALL NOMINAL SIZE: Single up to 73" x 62"

DESIGN PRESSURE RATING: Positive: 50.0 PSF
Negative: 50.0 PSF

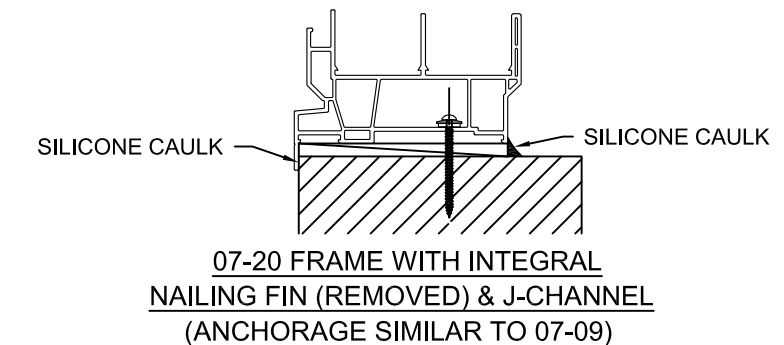
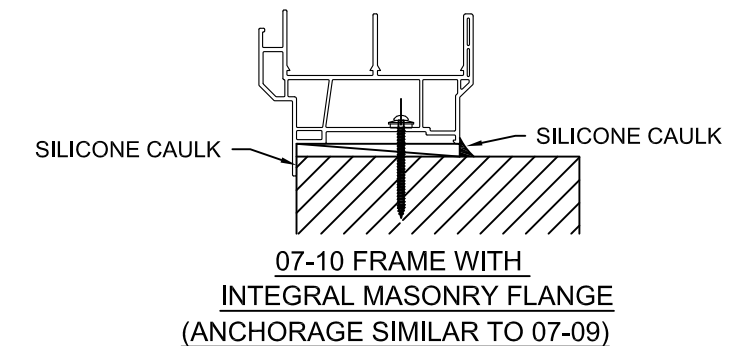
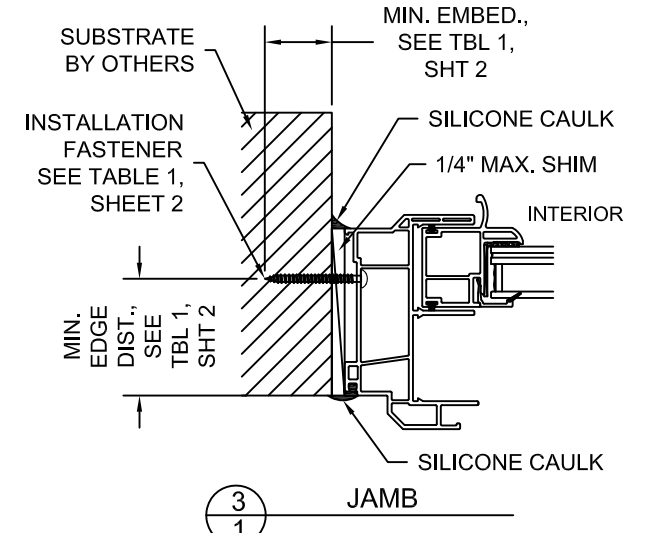
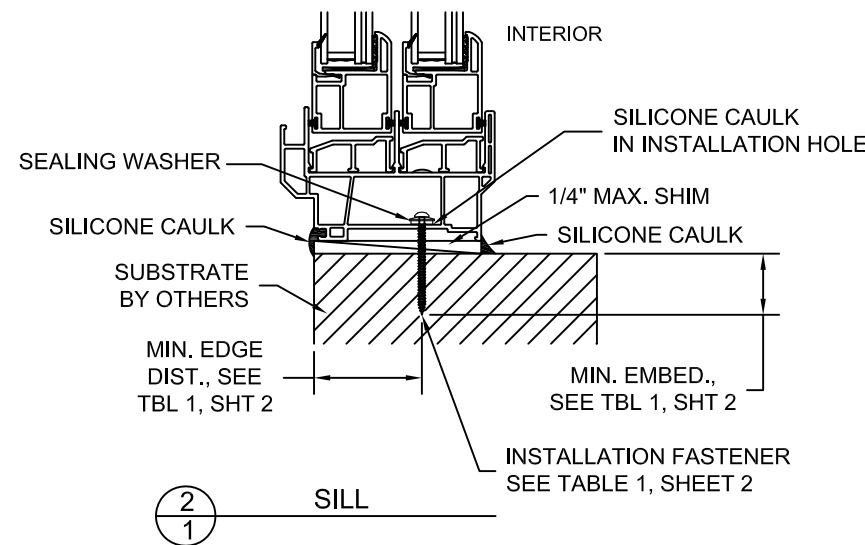
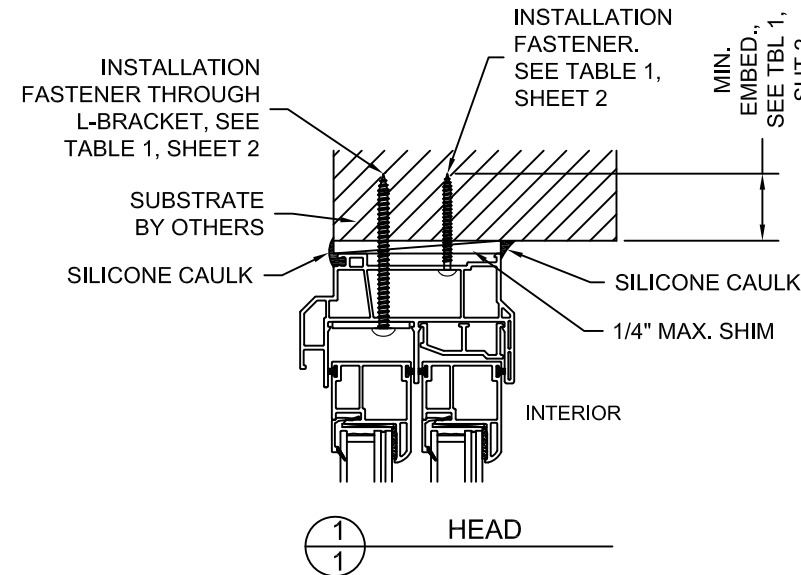
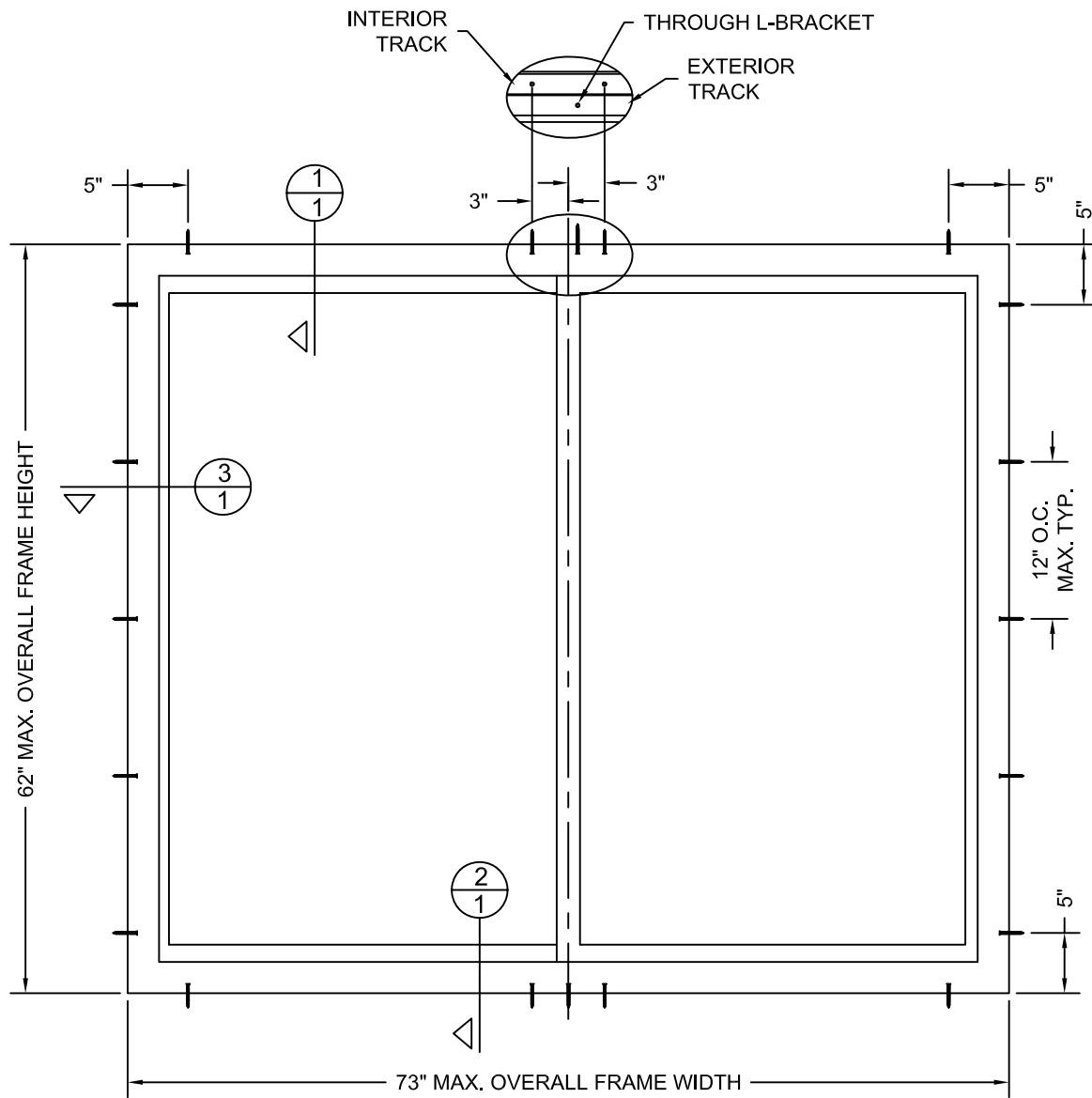
USABLE CONFIGURATIONS: XX

GENERAL DESCRIPTION: The head, sill, and side jambs are extruded PVC. The wall thickness through which the anchor screw penetrates is a minimum of 0.070".



12/06/2020
LUCAS A. TURNER, P.E.
FL PE # 58201
TURNER ENGINEERING & CONSULTING, INC.
(COA # 29779)
2428 OLD NATCHEZ TRACE TRAIL, CAMDEN, TN 38320
PH. 941-380-1574

REV. #:	REVISIONS:	REVISED BY:	DATE:
6	ADDED OPTIONAL GLAZING DETAIL AND FRAME TYPES.	T.D.D.	11/15/13
7	UPDATED FOR MULTIPLE SUBSTRATE TYPES	L.A.T.	01/31/15
8	ADDED TEST REPORT AND NOTES 15 & 16.	LMH	08/08/17
9	ADDED SEALING GASKET.	LMH	12/05/17
10	UPDATED FOR 7TH EDITION 2020 FBC.	LMH	12/06/20



DISCLOSURE STATEMENT
This document is the property of Simonton Windows, which retains all proprietary and other rights to its subject matter. This document is provided to the recipient on the expressed condition that it is not to be disclosed, reproduced in whole or part, nor used in conjunction with the design, manufacture or repair of goods for anyone other than Simonton Windows without its consent. This restriction does not limit the recipient's rights to utilize information contained in this document which is properly obtained from another source.

MATERIAL:	
RMS FINISH:	EXCEPT AS NOTED
ALLOY & TEMPER:	
WEIGHT:	VOLUME:
SURFACE AREA:	PERIMETER:
FINISH TREATMENT:	

Dimensional Tolerances Unless Otherwise Specified	
Decimals	Angles
.X ± .03	0° 30 min.
.XX ± .01	
.XXX ± .005	

SIMONTON
WINDOWS
1 Cochrane Avenue
Pennsboro, WV 26415

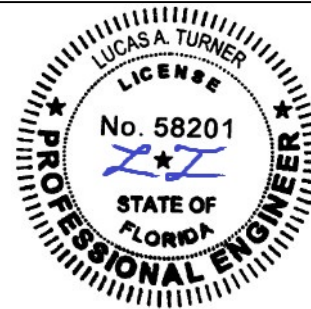
SCALE: FIT SHEET: 1 of 2

SERIES: 07-09 / 07-10 / 07-20 IMPACT HORIZONTAL SLIDER
TITLE: 2X BUCK INSTALLATION (AS TESTED)

SIZE: B	DRAWING NO.: IN0365	REV.: 10
DRAWN BY: T.D.D.	DATE: 11/13/08	
CHECKED BY:	DATE:	
APPR'V'D BY:	DATE:	

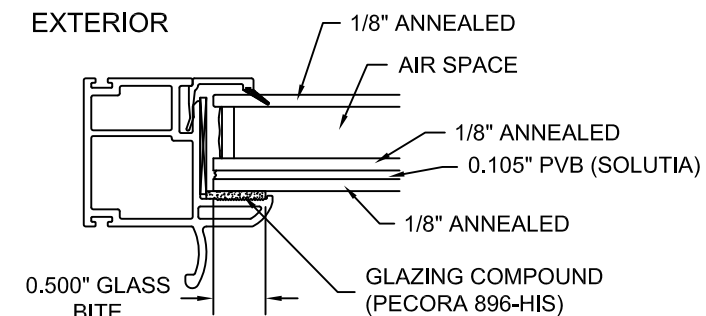
NOTES:

- THIS INSTALLATION HAS BEEN EVALUATED FOR USE IN LOCATIONS ADHERING TO THE TEXAS & FLORIDA BUILDING CODES AND WHERE PRESSURE REQUIREMENTS AS DETERMINED BY ASCE 7 MINIMUM DESIGN LOADS FOR BUILDINGS AND OTHER STRUCTURES DO NOT EXCEED THE DESIGN PRESSURE RATINGS HEREIN, FOR USE OUTSIDE THE H.V.H.Z.
- ALL INTERIOR AND EXTERIOR PERIMETER SURFACES OF THE WINDOW MUST BE CAULKED.
- ANCHOR TYPE, SIZE, SPACING, AND EMBEDMENT SHALL BE AS SPECIFIED IN THESE DRAWINGS.
- ANCHOR EMBEDMENT TO SUBSTRATE SHALL BE BEYOND WALL DRESSING OR STUCCO. FOR CONCRETE/CMU OPENINGS EMBEDMENT SHALL BE BEYOND WOOD BUCKS, IF USED, AND INTO SUBSTRATE. INSTALLATIONS TO SOLID CONCRETE OR GROUT-FILLED CMU MAY INCLUDE BUT DO NOT REQUIRE 1x WOOD BUCKS BETWEEN PRODUCT AND SUBSTRATE. INSTALLATIONS TO HOLLOW CMU REQUIRE THE USE OF 1x BUCKS BETWEEN PRODUCT AND SUBSTRATE.
- WOOD OR MASONRY OPENINGS, BUCKS, AND BUCK FASTENERS, BY OTHERS, SHALL BE PROPERLY DESIGNED AND INSTALLED TO TRANSFER WIND LOADS TO THE STRUCTURE. SUBSTRATES SHALL MEET THE MINIMUM STRENGTH REQUIREMENTS AS SHOWN IN TABLE 1, THIS SHEET. CONCRETE OR MASONRY SUBSTRATES SHALL NOT BE CRACKED.
- THE RESPONSIBILITY FOR SELECTION OF SIMONTON PRODUCTS TO MEET ANY APPLICABLE LOCAL LAWS, BUILDING CODES, ORDINANCES, OR OTHER SAFETY REQUIREMENTS RESTS SOLELY WITH THE ARCHITECT, BUILDING OWNER, OR CONTRACTOR.
- SHIMS ARE REQUIRED WHERE GAPS OF GREATER THAN 1/16" EXIST BETWEEN OPENING AND FRAME. MAX. SHIM STACK IS 1/4". SHIMS SHALL BE LOAD-BEARING AND CAPABLE OF TRANSFERRING LOADS TO THE SUBSTRATE.
- WHEN USED IN AREAS REQUIRING IMPACT PROTECTION, THIS PRODUCT DOES NOT REQUIRE THE USE OF APPROVED IMPACT RESISTANT SHUTTERS OR OTHER EXTERNAL PROTECTION.
- SEALING AND FLASHING BY OTHERS SHOULD BE APPLIED USING THE ASTM E 2112 METHODOLOGY APPROPRIATE FOR THE OPENING INTO WHICH THE DOOR IS BEING INSTALLED. OVERALL WATER PENETRATION RESISTANCE OF THE INSTALLED PRODUCT IS THE RESPONSIBILITY OF OTHERS.
- GLAZING SHALL COMPLY WITH ASTM E 1300 AND SAFETY GLAZING REQUIREMENTS PER FBC SECTION 24.06.
- FOR INSTALLATION TO METAL SUBSTRATES, ANCHORS SHALL BE LONG ENOUGH TO BE FULLY THREADED THROUGH THE METAL THICKNESS WITH AN ADDITIONAL 3/16" MIN. OF THREADS BEYOND.
- A MINIMUM CENTER-TO-CENTER SPACING OF 3" SHALL BE MAINTAINED BETWEEN ALL ELCO ULTRACONS IN ANY DIRECTION.
- ALL FASTENERS PENETRATING INTO PRESSURE TREATED WOOD SHALL BE CAPABLE OF PREVENTING CORROSION DUE TO REACTION WITH PRESSURE TREATMENT CHEMICALS. ANY DISSIMILAR MATERIALS THAT COME INTO CONTACT SHALL BE PROTECTED TO PREVENT REACTIONS IN ACCORDANCE WITH CODE REQUIREMENTS.
- A WIND LOAD DURATION FACTOR $C_d = 1.6$ WAS USED FOR THE ANALYSIS OF WOOD SCREWS ONLY.
- WINDOWS SHALL BE CONSTRUCTED AS SPECIFIED IN TEST REPORTS A9263.01-501-47-R0, B0676.01-501-47-RI-UD, D0967.01-501-47-R0, D8020.01-109-47-R0 AND D0968.01-501-47-R0, BY ARCHITECTURAL TESTING, INC.
- USE A BACKER ROD ON ALL JOINTS >3/4" DEEP AND/OR WIDER THAN 1/4". FINISHED CAULK JOINT SHOULD BE A MINIMUM OF 3/8" DEEP.

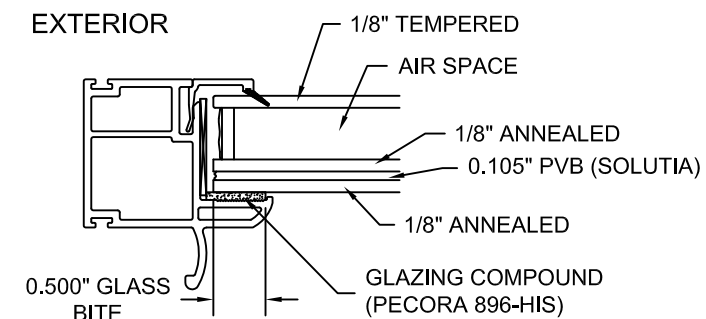


12/06/2020
 LUCAS A. TURNER, P.E.
 FL PE # 58201
 TURNER ENGINEERING &
 CONSULTING, INC.
 (COA # 29779)
 2428 OLD NATCHEZ TRACE
 TRAIL, CAMDEN, TN 38320
 PH. 941-380-1574

REV. #:	REVISIONS:	REVISED BY:	DATE:
6	ADDED OPTIONAL GLAZING DETAIL AND FRAME TYPES.	T.D.D.	11/15/13
7	UPDATED FOR MULTIPLE SUBSTRATE TYPES	L.A.T.	01/31/15
8	ADDED TEST REPORT AND NOTES 15 & 16.	LMH	08/08/17
9	ADDED SEALING GASKET.	LMH	12/05/17
10	UPDATED FOR 7TH EDITION 2020 FBC.	LMH	12/06/20



1" INSULATED ANNEALED IMPACT RESISTANT GLASS WITH 0.105" PVB INTERLAYER



1" INSULATED TEMPERED/ANNEALED IMPACT RESISTANT GLASS WITH 0.105" PVB INTERLAYER (OPTIONAL)

TABLE 1: INSTALLATION FASTENERS TABLE

ID	SUBSTRATE TYPE	ANCHOR TYPE	MIN. EMBED	MIN. EDGE DIST.
A	CONCRETE (2.85 KSI MIN.)	3/16" ELCO ULTRACON	1-3/4"	1"
B	HOLLOW OR GROUT-FILLED CMU (ASTM C90)	3/16" ELCO ULTRACON	1-1/4"	2 1/2"
C	2X MIN. SOUTHERN PINE WOOD (G=0.55)	3/16" ELCO ULTRACON	1-3/8"	3/4"
D	2X MIN. SOUTHERN PINE WOOD (G=0.55)	#10 WOOD SCREW	1-3/8"	3/4"
E	16 GAUGE (0.060") MIN. STEEL STUD, 33KSI YIELD MIN.	#10-16 ITW TEKS SELF-DRILLING SCREW	SEE NOTE 11	1/2"
F	1/8" ALUM. 6063-T5 MIN. OR 1/8" STEEL 36 KSI MIN.	#10 GRADE 5 SELF-TAPPING/ DRILLING SCREW	SEE NOTE 11	1/2"

<p>DISCLOSURE STATEMENT</p> <p>This document is the property of Simonton Windows, which retains all proprietary and other rights to its subject matter. This document is provided to the recipient on the expressed condition that it is not to be disclosed, reproduced in whole or part, nor used in conjunction with the design, manufacture or repair of goods for anyone other than Simonton Windows without its consent. This restriction does not limit the recipient's rights to utilize information contained in this document which is properly obtained from another source.</p>	MATERIAL: RMS FINISH: EXCEPT AS NOTED ALLOY & TEMPER: WEIGHT: SURFACE AREA: FINISH TREATMENT:	Dimensional Tolerances Unless Otherwise Specified Decimals Angles .X ± .03 .XX ± .01 .XXX ± .005 0° 30 min.	SIZE: B DRAWING NO.: IN0365 REV.: 10 DRAWN BY: T.D.D. DATE: 11/13/08 CHECKED BY: DATE: APPR'V'D BY: DATE:
	FILE: FL 10160	SCALE: FIT SHEET: 2 of 2 SERIES: 07-09 / 07-10 / 07-20 IMPACT HORIZONTAL SLIDER TITLE: NOTES, GLAZING DETAILS, INSTALL ANCHOR TABLE	1 Cochrane Avenue Pennsboro, WV 26415