

REVISIONS			
REV	DESCRIPTION	DATE	APPROVED
D	REVISED TO ADD GLAZING DETAILS	05/11/2021	R.L.

NOTES:

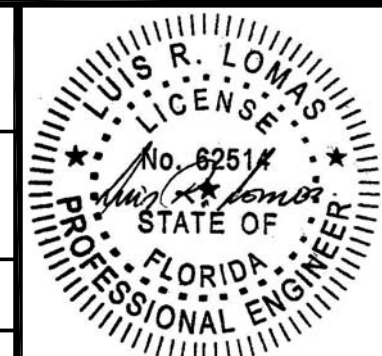
1. THE PRODUCT SHOWN HEREIN IS DESIGNED AND MANUFACTURED TO COMPLY WITH REQUIREMENTS OF THE FLORIDA BUILDING CODE.
2. WOOD FRAMING AND MASONRY OPENING TO BE DESIGNED AND ANCHORED TO PROPERLY TRANSFER ALL LOADS TO STRUCTURE. FRAMING AND MASONRY OPENING IS THE RESPONSIBILITY OF THE ARCHITECT OR ENGINEER OF RECORD.
3. 1X BUCK OVER MASONRY/CONCRETE IS OPTIONAL.
4. WHERE SHIM OR BUCK THICKNESS IS LESS THAN 1-1/2" UNITS MUST BE ANCHORED THROUGH THE FRAME IN ACCORDANCE WITH MANUFACTURER'S PUBLISHED INSTALLATION INSTRUCTIONS. ANCHORS SHALL BE SECURELY FASTENED DIRECTLY INTO MASONRY, CONCRETE OR OTHER STRUCTURAL SUBSTRATE MATERIAL.
5. WHERE WOOD BUCK THICKNESS IS 1-1/2" OR GREATER, BUCK SHALL BE SECURELY FASTENED TO MASONRY, CONCRETE OR OTHER STRUCTURAL SUBSTRATE. UNITS MAY BE ANCHORED THROUGH FRAME TO SECURED WOOD BUCK IN ACCORDANCE WITH MANUFACTURER'S PUBLISHED INSTALLATION INSTRUCTIONS.
6. WHERE 1X BUCK IS NOT USED DISSIMILAR MATERIALS MUST BE SEPARATED WITH APPROVED COATING OR MEMBRANE. SELECTION OF COATING OR MEMBRANE IS THE RESPONSIBILITY OF THE ARCHITECT OR ENGINEER OF RECORD.
7. BUCKS SHALL EXTEND BEYOND UNIT FRAME INTERIOR FACE SO THAT FULL FRAME SUPPORT IS PROVIDED.
8. SHIM AS REQUIRED AT EACH ANCHOR LOCATION WITH LOAD BEARING SHIM. SHIM WHERE SPACE OF 1/16" OR GREATER OCCURS. MAXIMUM ALLOWABLE SHIM STACK TO BE 1/4".
9. SHIMS SHALL BE LOCATED, APPLIED AND MADE FROM MATERIALS AND THICKNESS CAPABLE OF SUSTAINING APPLICABLE LOADS.
10. WIND LOAD DURATION FACTOR Cd=1.6 WAS USED FOR WOOD ANCHOR CALCULATIONS.
11. FRAME JAMB AND HEAD MATERIAL: CO-EXTRUDED PVC FOAM 1 1/2" THICK.
12. FRAME SILL MATERIAL: CO-EXTRUDED PVC FOAM 2" THICK WITH ALUMINUM CLADDING .063" THICK.
13. DOOR PANEL AND SIDELITE MATERIAL: .075" THICK FIBERGLASS SKIN WITH PVC FOAM TOP AND BOTTOM RAILS, AND PVC FOAM VERTICAL STILES WITH PINE REINFORCEMENTS AND POLYURETHANE FOAM CORE.
14. UNITS MUST BE GLAZED PER ASTM E1300, SEE SHEET 5 FOR GLASS DETAILS.
15. APPROVED IMPACT PROTECTIVE SYSTEM IS REQUIRED FOR THIS PRODUCT IN WIND BORNE DEBRIS REGIONS.

16. FOR ANCHORING INTO WOOD FRAMING OR 2X BUCK USE #10 WOOD SCREWS WITH SUFFICIENT LENGTH TO ACHIEVE A 1 1/4" MINIMUM EMBEDMENT INTO SUBSTRATE. LOCATE ANCHORS AS SHOWN IN ELEVATIONS AND INSTALLATION DETAILS.
17. FOR ANCHORING INTO MASONRY/CONCRETE USE 3/16" TAPCONS WITH SUFFICIENT LENGTH TO ACHIEVE A 1 3/4" MINIMUM EMBEDMENT INTO SUBSTRATE WITH 2" MINIMUM EDGE DISTANCE. LOCATE ANCHORS AS SHOWN IN ELEVATIONS AND INSTALLATION DETAILS.
18. FOR ANCHORING INTO METAL STRUCTURE USE #10 SMS OR SELF DRILLING SCREWS WITH SUFFICIENT LENGTH TO ACHIEVE 3 THREADS MINIMUM BEYOND STRUCTURE INTERIOR WALL. LOCATE ANCHORS AS SHOWN IN ELEVATIONS AND INSTALLATION DETAILS.
19. ALL FASTENERS TO BE CORROSION RESISTANT.
20. INSTALLATION ANCHORS SHALL BE INSTALLED IN ACCORDANCE WITH ANCHOR MANUFACTURER'S INSTALLATION INSTRUCTIONS AND ANCHORS SHALL NOT BE USED IN SUBSTRATES WITH STRENGTHS LESS THAN THE MINIMUM STRENGTH SPECIFIED BELOW:
  - A. WOOD: MINIMUM SPECIFIC GRAVITY OF G=0.42
  - B. CONCRETE: MINIMUM COMPRESSIVE STRENGTH OF 2,000 PSI.
  - C. MASONRY: GROUT FILLED BLOCK PER ASTM C90 WITH Fm=3,192 PSI MINIMUM.
  - D. METAL STRUCTURE: STEEL 18GA (.048") FY=33KSI/FU=52KSI OR ALUMINUM 6063-T5 FU=30KSI .125" THICK MINIMUM
21. APPROVED CONFIGURATIONS: OX, XO AND OXXO. SEE SHEET 3.

SIGNED: 05/17/2021

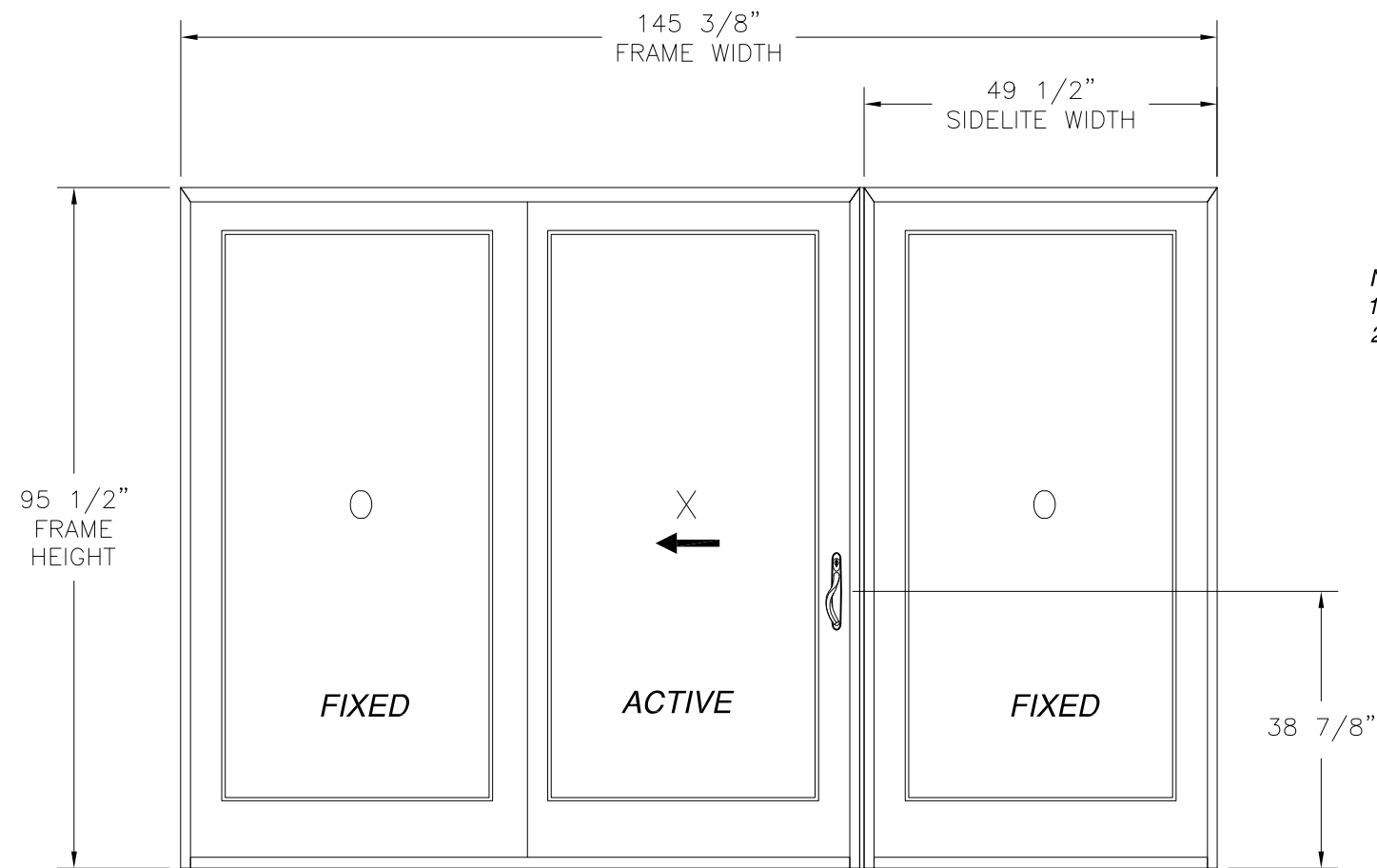
TABLE OF CONTENTS	
SHEET NO.	DESCRIPTION
1	NOTES
2	ELEVATION
3	APPROVED CONFIGURATIONS & ANCHOR LAYOUTS
4 - 8	INSTALLATION DETAILS

NAN YA PLASTICS CORP. USA 8989 NORTH LOOP EAST HOUSTON, TX 77029		
SERIES SRS GLIDING PATIO DOOR W/FIELD MULLION FIBERGLASS SLIDING DOOR W/SIDELITE NOTES		
DRAWN: V.L.	DWG NO. 08-01533	REV D
SCALE NTS	DATE 04/02/12	SHEET 1 OF 8
L. ROBERTO LOMAS P.E. 1432 WOODFORD RD LEWISVILLE, NC 27023 434-688-0609 rllomas@rlomaspe.com		



Luis R. Lomas P.E.  
FL No.: 62514

REVISIONS			
REV	DESCRIPTION	DATE	APPROVED
D	REVISED TO ADD GLAZING DETAILS	05/11/2021	R.L.



- NOTES:  
 1. PANEL SIZE: 47 3/4" X 92 3/8"  
 2. D.L.O.: 37" X 79"

**SERIES SRS GLIDING PATIO DOOR W/FIELD MULLION W/ SIDELITE**  
 EXTERIOR VIEW

DESIGN PRESSURE RATING	IMPACT RATING
±50PSF	NONE

35 3/4" X 92 3/8" PANELS SHOWN OTHER PANEL SIZES ARE APPROVED AS LONG AS INDIVIDUAL PANEL AREA DOES NOT EXCEED 22.9 FT<sup>2</sup>

SIGNED: 05/17/2021

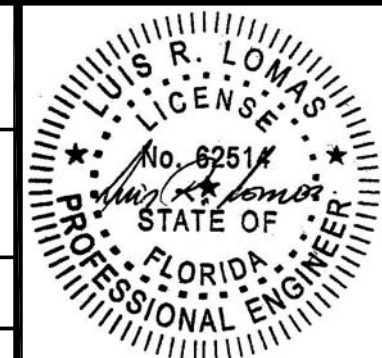
HARDWARE SCHEDULE
A. 4 POINT LOCKING SYSTEM
B. (1) DIE CAST HANDLE SET
C. (2) STAINLESS STEEL TANDEM ROLLERS
D. ALUMINUM & PVC FOAM ASTRAGAL BY NAN YA PLASTICS
E. ALUMINUM & PVC FOAM MULLION BY NAN YA PLASTICS

NAN YA PLASTICS CORP. USA  
 8989 NORTH LOOP EAST  
 HOUSTON, TX 77029

SERIES SRS GLIDING PATIO DOOR W/FIELD MULLION  
 FIBERGLASS SLIDING DOOR W/SIDELITE  
 ELEVATION

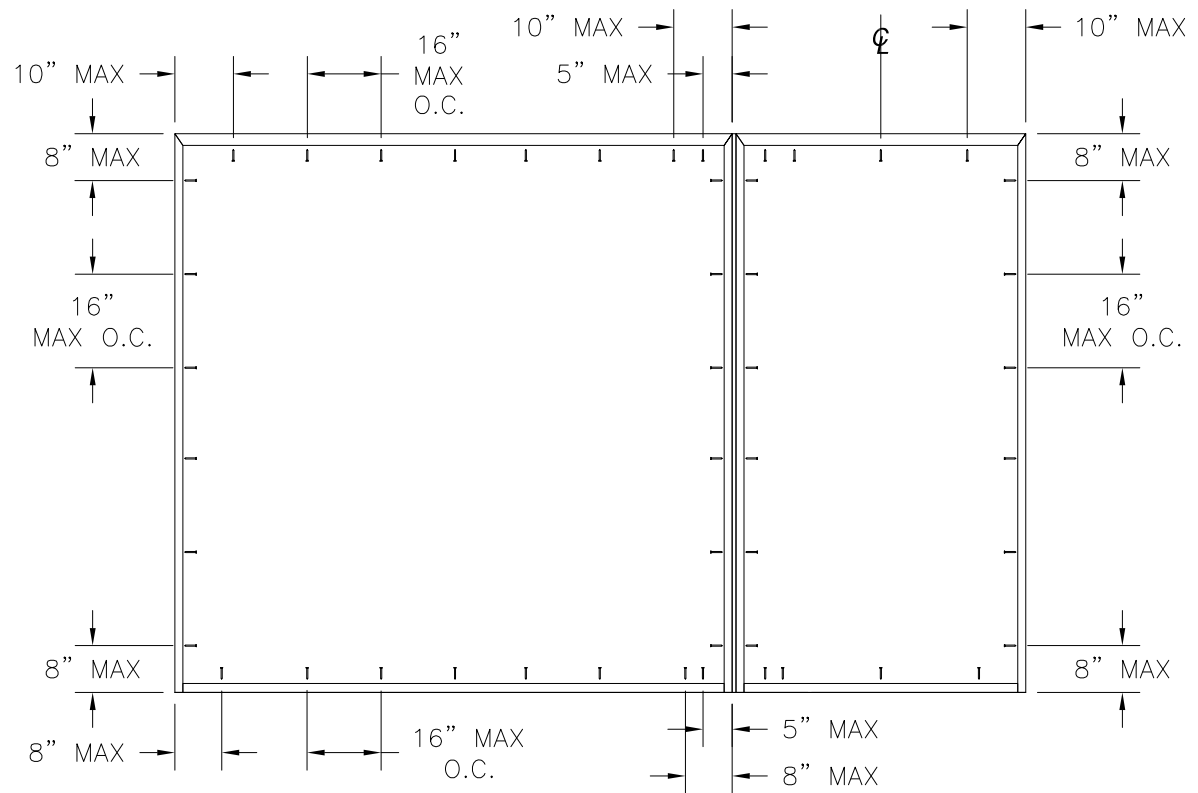
DRAWN: V.L.	DWG NO. 08-01533	REV D
SCALE NTS	DATE 04/02/12	SHEET 2 OF 8

L. ROBERTO LOMAS P.E.  
 1432 WOODFORD RD LEWISVILLE, NC 27023  
 434-688-0609 rllomas@lrlomaspe.com

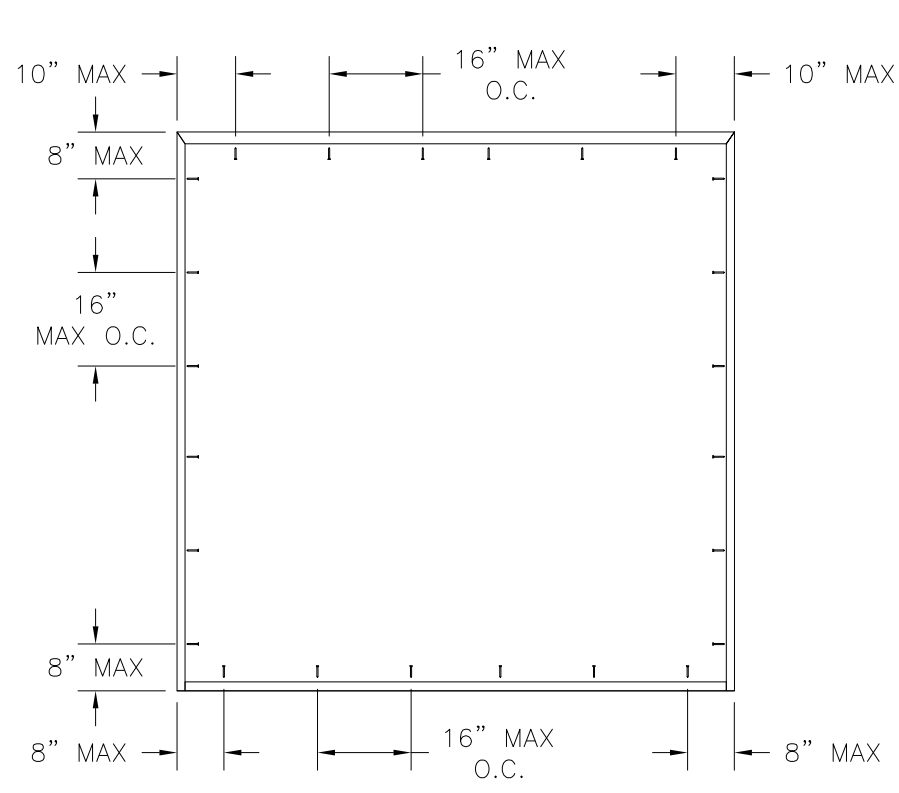


Luis R. Lomas P.E.  
 FL No.: 62514

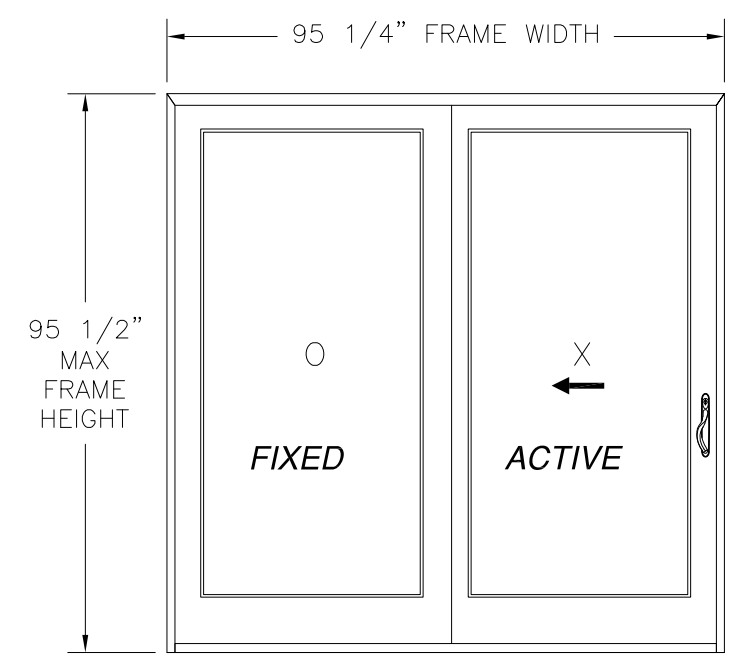
REVISIONS			
REV	DESCRIPTION	DATE	APPROVED
D	REVISED TO ADD GLAZING DETAILS	05/11/2021	R.L.



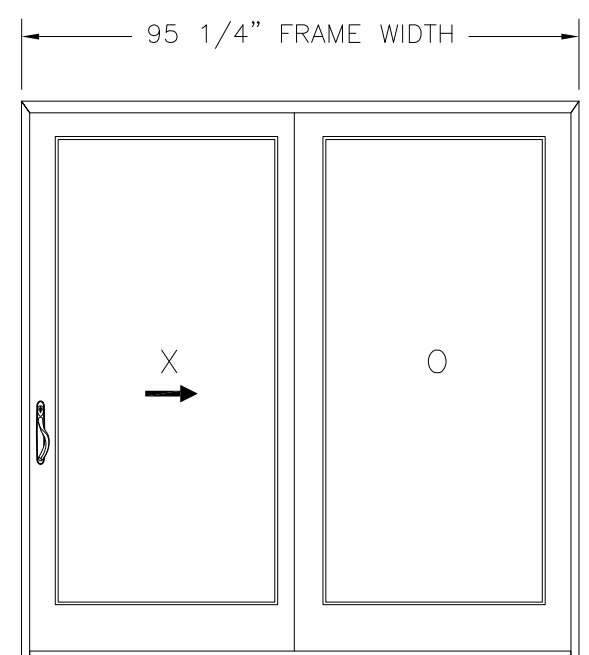
**SINGLE W/SIDELITES (MULL)**  
EXTERIOR VIEW



**SINGLE W/SIDELITE**  
EXTERIOR VIEW



**SINGLE W/SIDELITE**  
EXTERIOR VIEW



**SINGLE W/SIDELITE**  
EXTERIOR VIEW

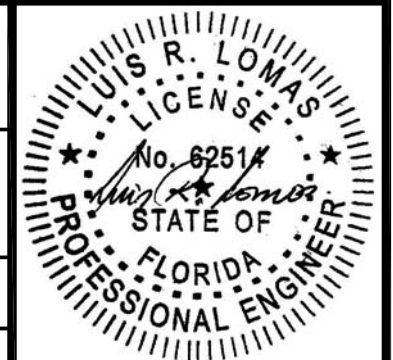
NAN YA PLASTICS CORP. USA  
8989 NORTH LOOP EAST  
HOUSTON, TX 77029

SERIES SRS GLIDING PATIO DOOR W/FIELD MULLION  
FIBERGLASS SLIDING DOOR W/SIDELITE  
APPROVED CONFIGURATIONS & ANCHORING LAYOUTS

DRAWN: V.L.	DWG NO. 08-01533	REV D
SCALE NTS	DATE 04/02/12	SHEET 3 OF 8

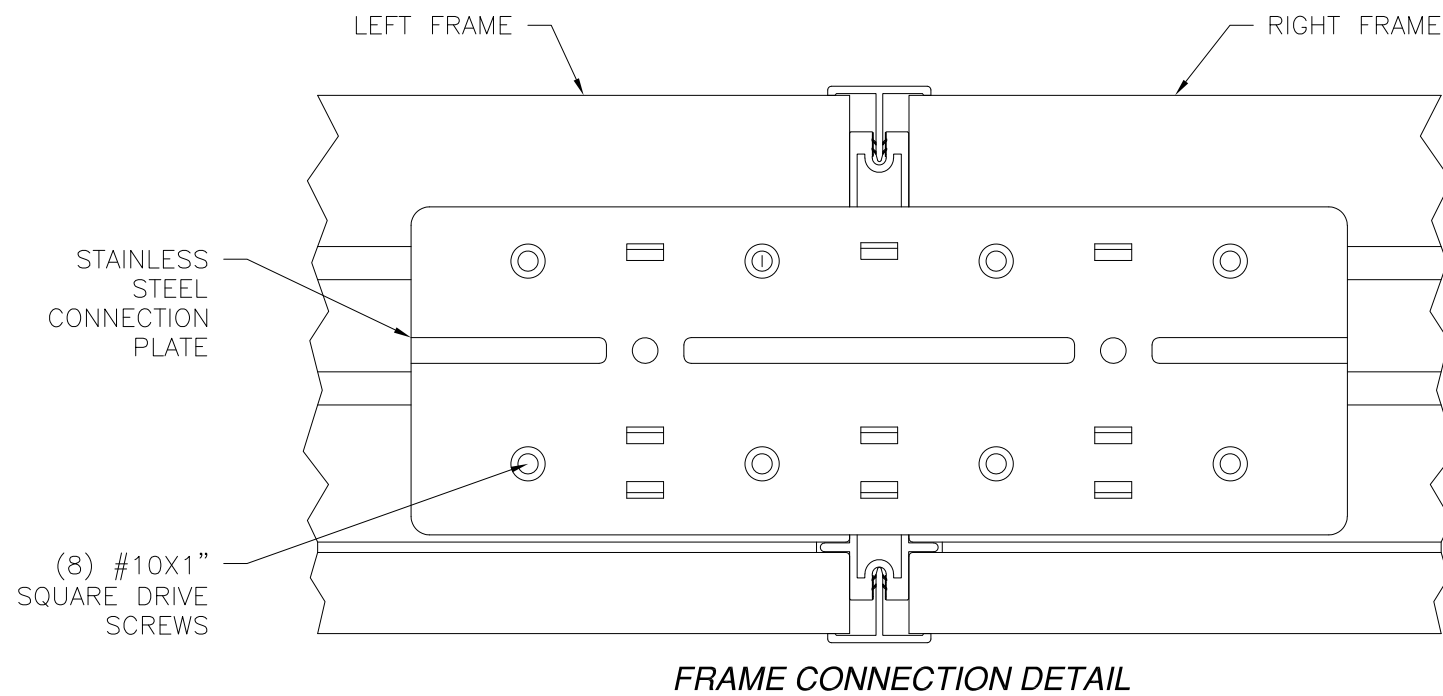
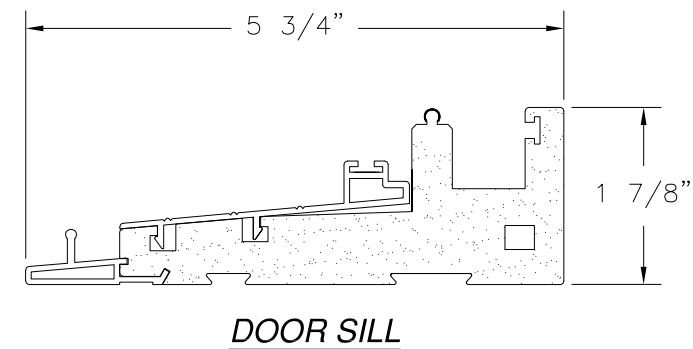
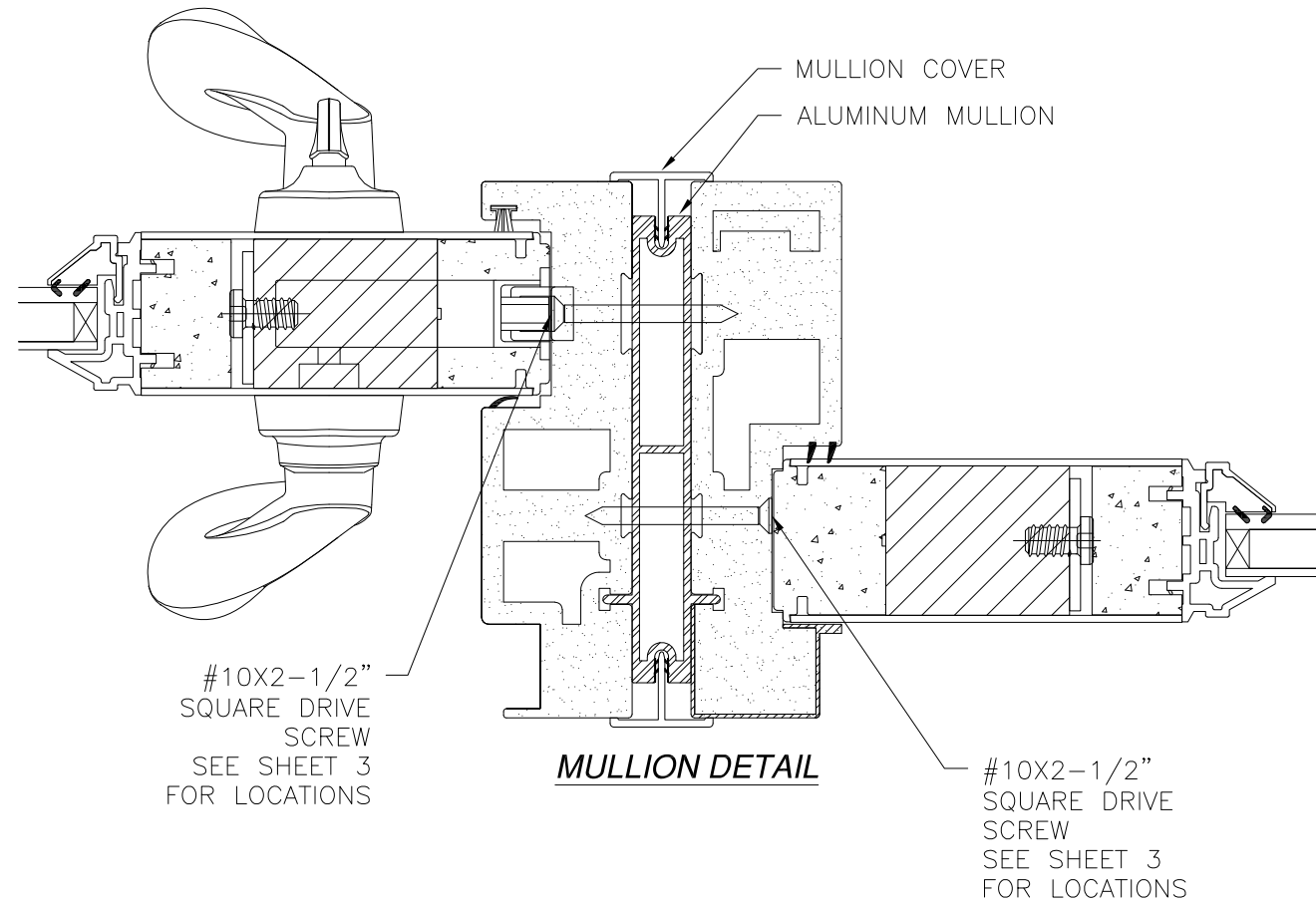
L. ROBERTO LOMAS P.E.  
1432 WOODFORD RD LEWISVILLE, NC 27023  
434-688-0609 rllomas@rlomaspe.com

SIGNED: 05/17/2021



Luis R. Lomas P.E.  
FL No.: 62514

REVISIONS			
REV	DESCRIPTION	DATE	APPROVED
D	REVISED TO ADD GLAZING DETAILS	05/11/2021	R.L.



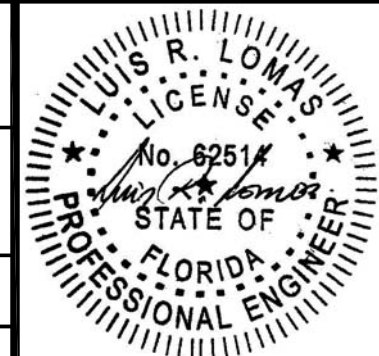
SIGNED: 05/17/2021

NAN YA PLASTICS CORP. USA  
8989 NORTH LOOP EAST  
HOUSTON, TX 77029

SERIES SRS GLIDING PATIO DOOR W/FIELD MULLION  
FIBERGLASS SLIDING DOOR W/SIDELITE  
INSTALLATION DETAILS

DRAWN: V.L.	DWG NO. 08-01533	REV D
SCALE NTS	DATE 04/02/12	SHEET 4 OF 8

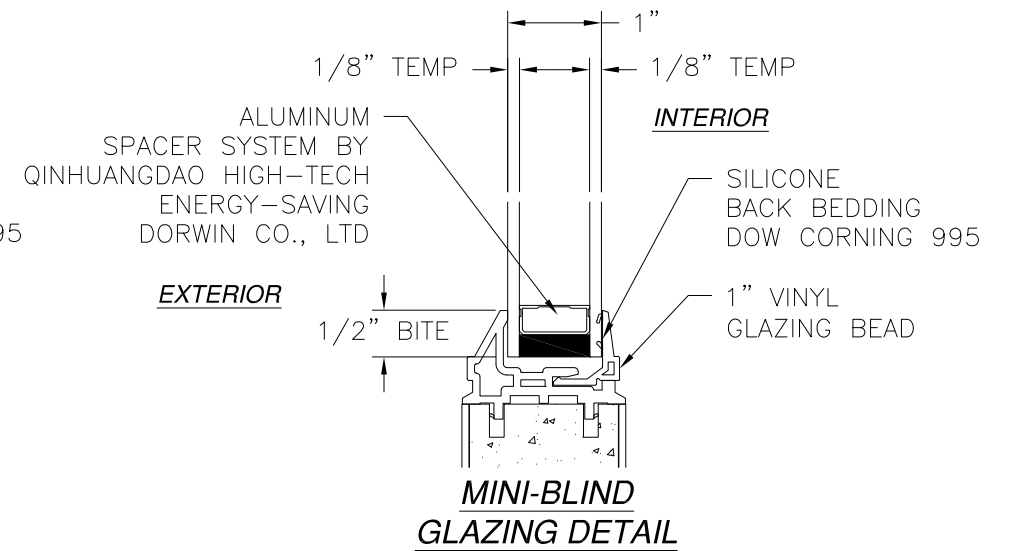
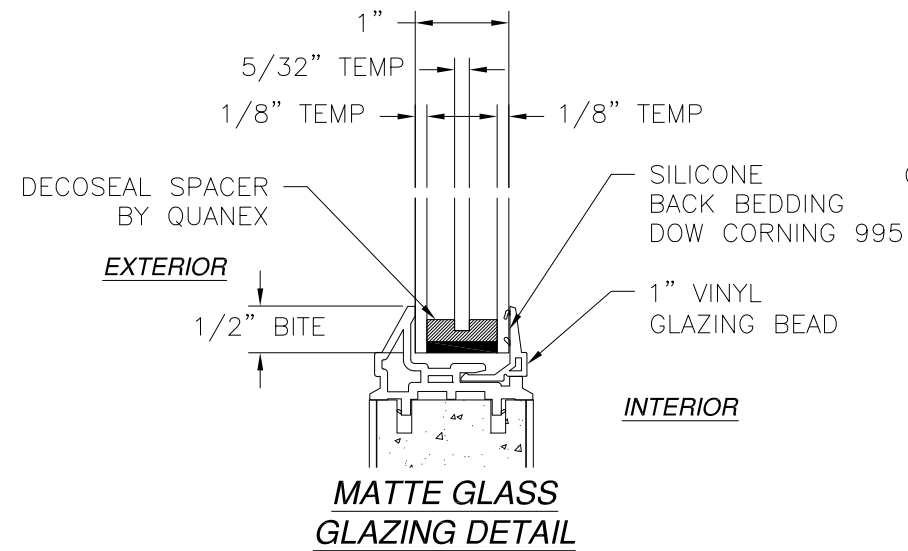
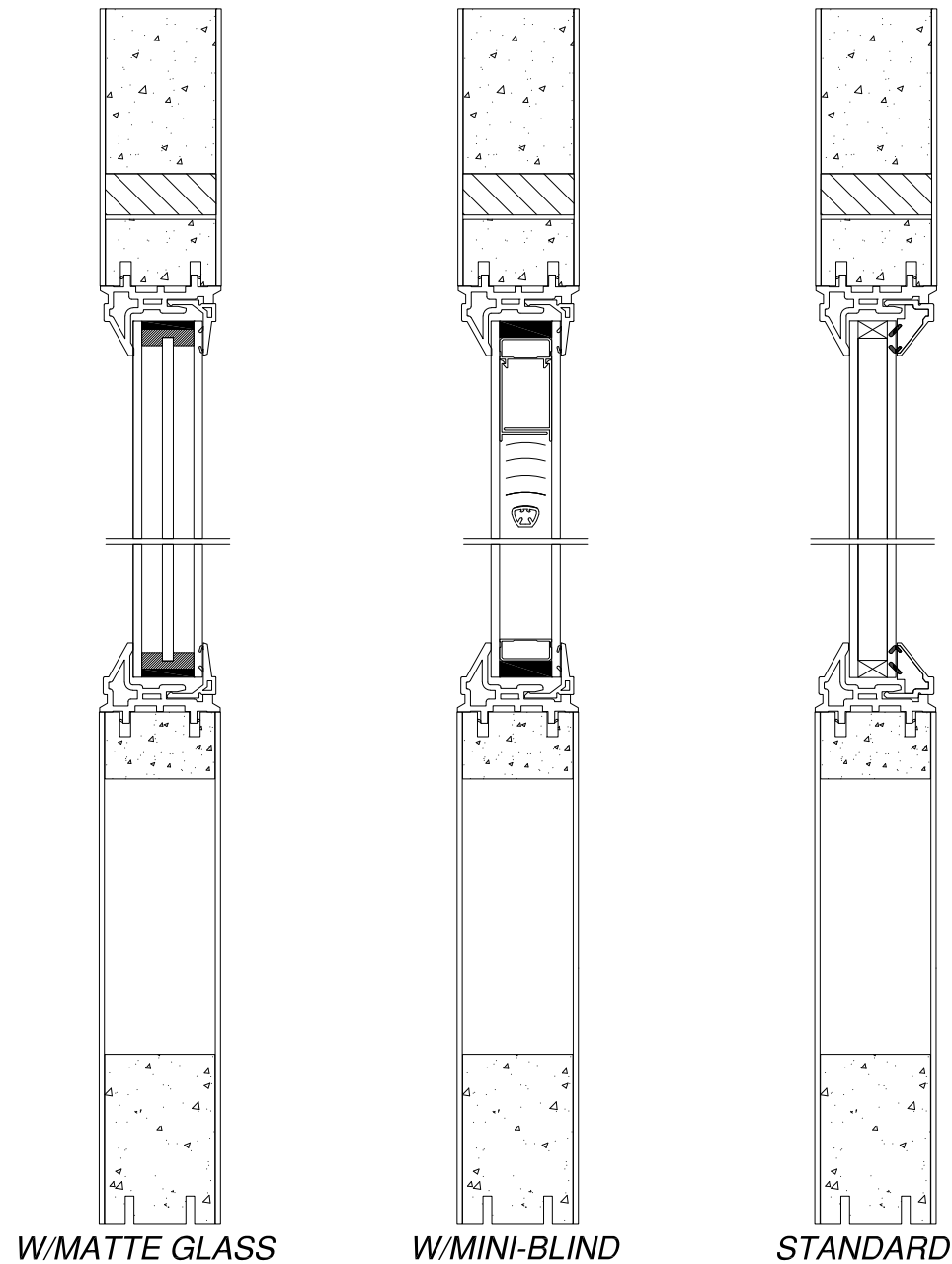
L. ROBERTO LOMAS P.E.  
1432 WOODFORD RD LEWISVILLE, NC 27023  
434-688-0609 rllomas@lrlomaspe.com



Luis R. Lomas P.E.  
FL No.: 62514

REVISIONS			
REV	DESCRIPTION	DATE	APPROVED
D	REVISED TO ADD GLAZING DETAILS	05/11/2021	R.L.

**APPROVED PANEL CONFIGURATIONS**



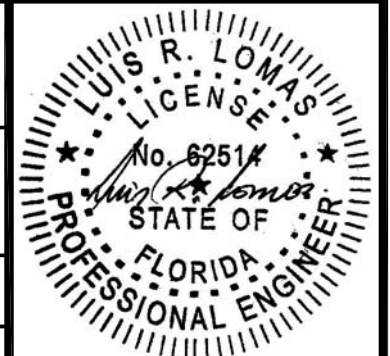
NAN YA PLASTICS CORP. USA  
 8989 NORTH LOOP EAST  
 HOUSTON, TX 77029

SERIES SRS GLIDING PATIO DOOR W/FIELD MULLION  
 FIBERGLASS SLIDING DOOR W/SIDELITE  
 GLAZING DETAILS

DRAWN: V.L.	DWG NO. 08-01533	REV D
SCALE NTS	DATE 04/02/12	SHEET 5 OF 8

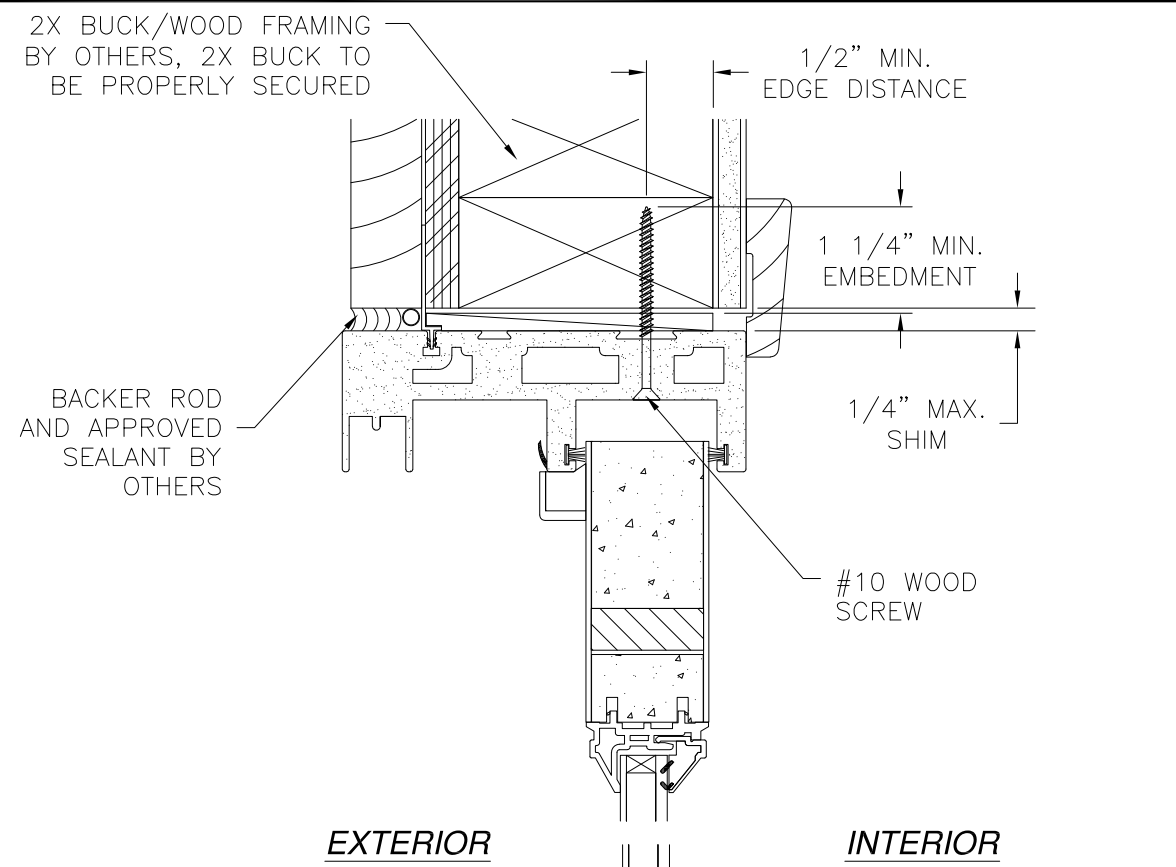
L. ROBERTO LOMAS P.E.  
 1432 WOODFORD RD LEWISVILLE, NC 27023  
 434-688-0609 rllomas@lrlomaspe.com

SIGNED: 05/17/2021

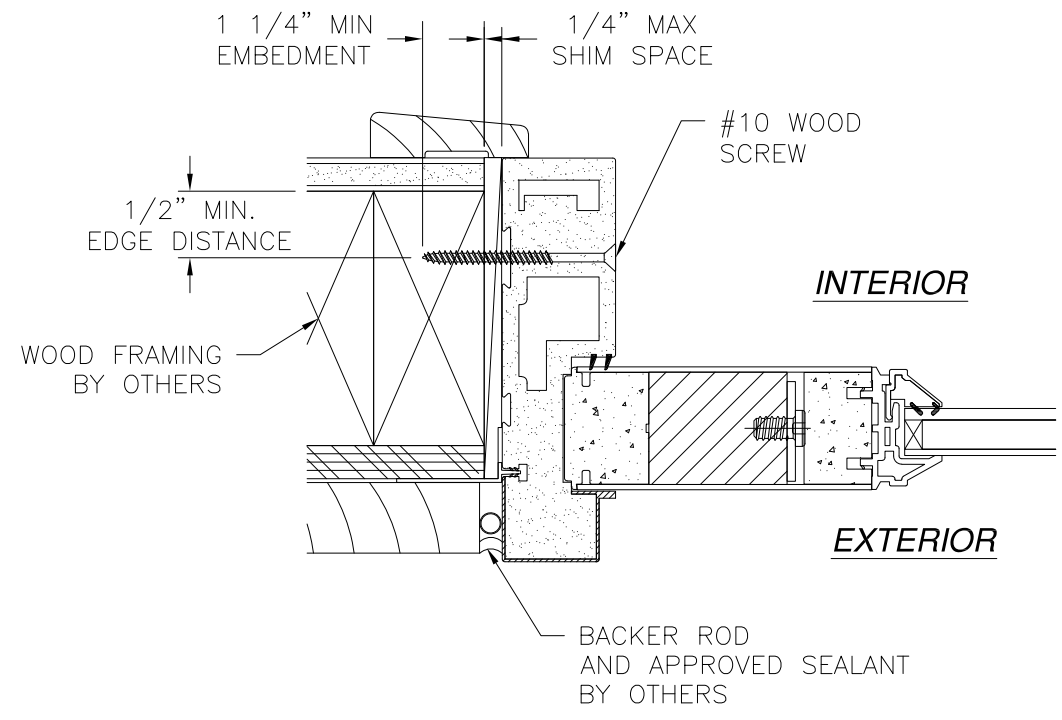


Luis R. Lomas P.E.  
 FL No.: 62514

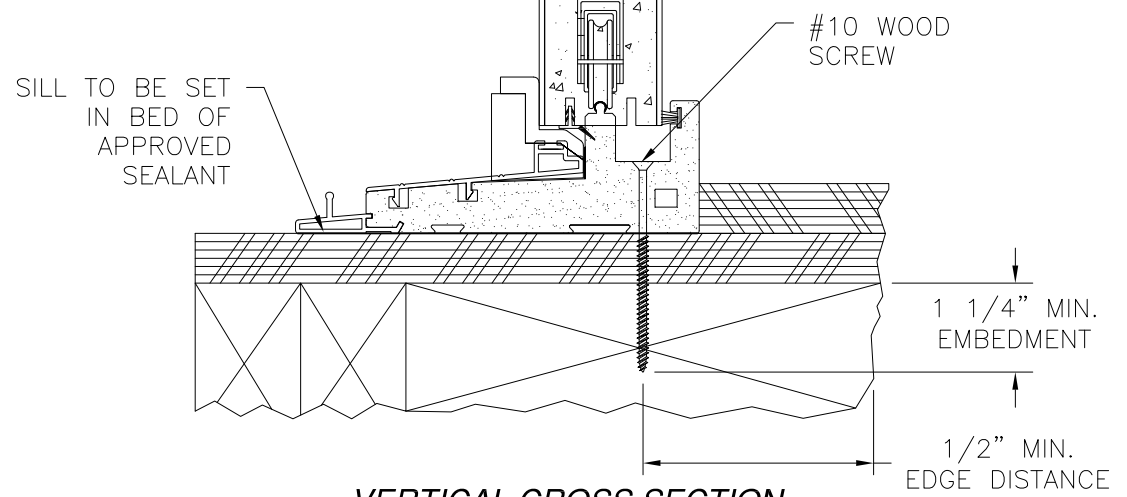
REVISIONS			
REV	DESCRIPTION	DATE	APPROVED
D	REVISED TO ADD GLAZING DETAILS	05/11/2021	R.L.



**EXTERIOR** **INTERIOR**



**HORIZONTAL CROSS SECTION**  
2X BUCK/WOOD FRAMING INSTALLATION



**VERTICAL CROSS SECTION**  
DOOR SHOWN, SIDELITE SIMILAR  
2X BUCK/WOOD FRAMING INSTALLATION

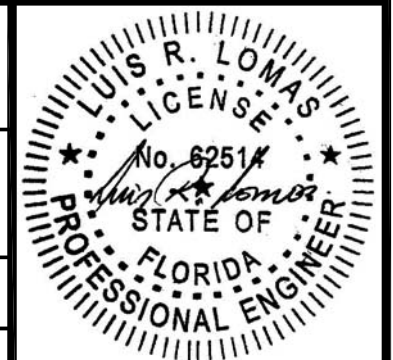
**NAN YA PLASTICS CORP. USA**  
8989 NORTH LOOP EAST  
HOUSTON, TX 77029

SERIES SRS GLIDING PATIO DOOR W/FIELD MULLION  
FIBERGLASS SLIDING DOOR W/SIDELITE  
INSTALLATION DETAILS

DRAWN: V.L.	DWG NO. 08-01533	REV D
SCALE NTS	DATE 04/02/12	SHEET 6 OF 8

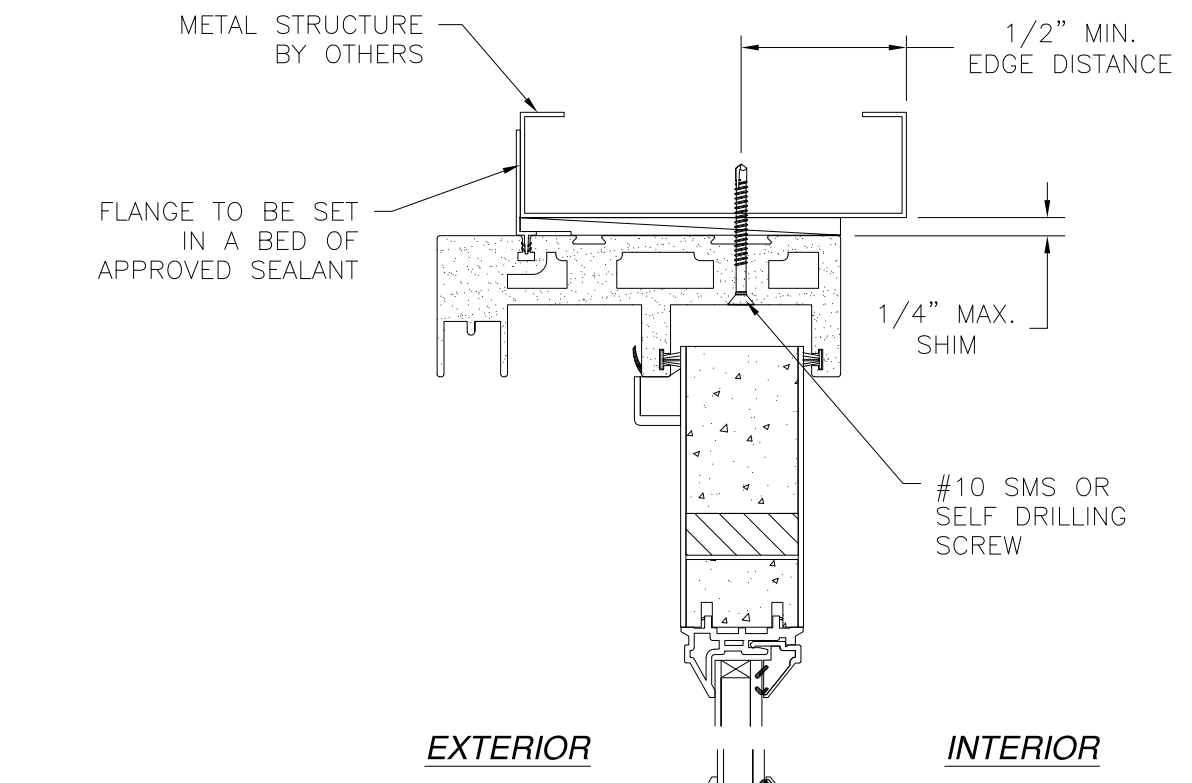
L. ROBERTO LOMAS P.E.  
1432 WOODFORD RD LEWISVILLE, NC 27023  
434-688-0609 rllomas@lrlomaspe.com

SIGNED: 05/17/2021

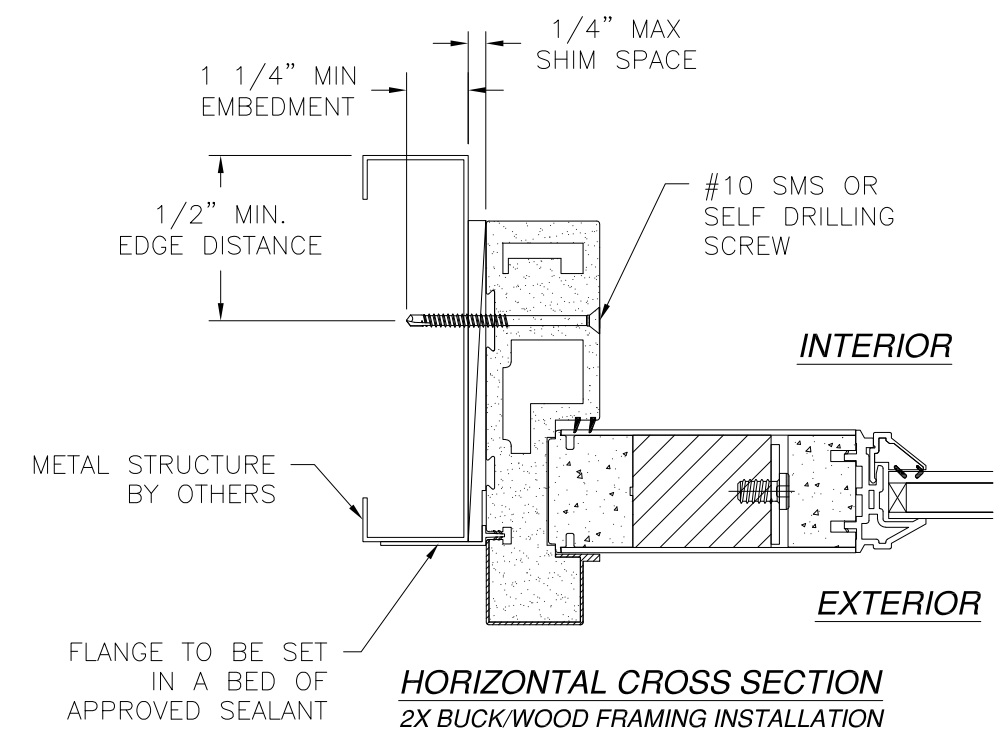


Luis R. Lomas P.E.  
FL No.: 62514

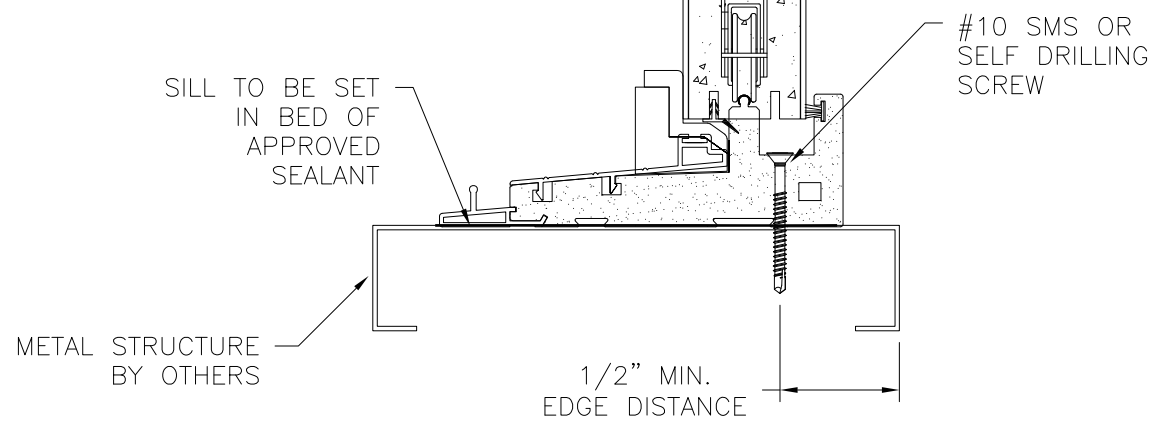
REVISIONS			
REV	DESCRIPTION	DATE	APPROVED
D	REVISED TO ADD GLAZING DETAILS	05/11/2021	R.L.



**EXTERIOR** **INTERIOR**



**HORIZONTAL CROSS SECTION**  
2X BUCK/WOOD FRAMING INSTALLATION



**VERTICAL CROSS SECTION**  
DOOR SHOWN, SIDELITE SIMILAR  
METAL STRUCTURE INSTALLATION

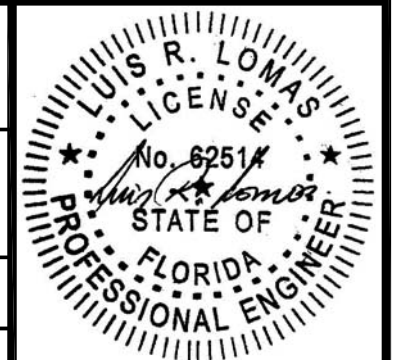
SIGNED: 05/17/2021

NAN YA PLASTICS CORP. USA  
8989 NORTH LOOP EAST  
HOUSTON, TX 77029

SERIES SRS GLIDING PATIO DOOR W/FIELD MULLION  
FIBERGLASS SLIDING DOOR W/SIDELITE  
INSTALLATION DETAILS

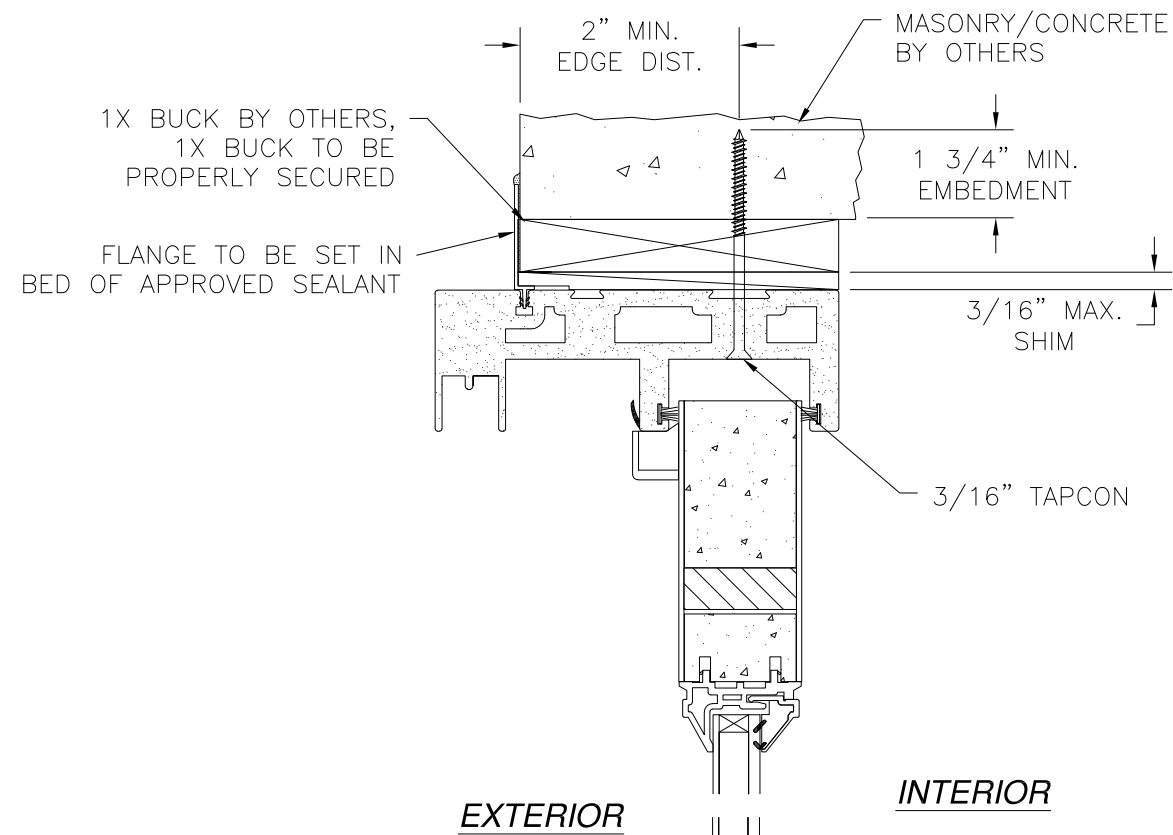
DRAWN: V.L.	DWG NO. 08-01533	REV D
SCALE NTS	DATE 04/02/12	SHEET 7 OF 8

L. ROBERTO LOMAS P.E.  
1432 WOODFORD RD LEWISVILLE, NC 27023  
434-688-0609 rllomas@rlomaspe.com

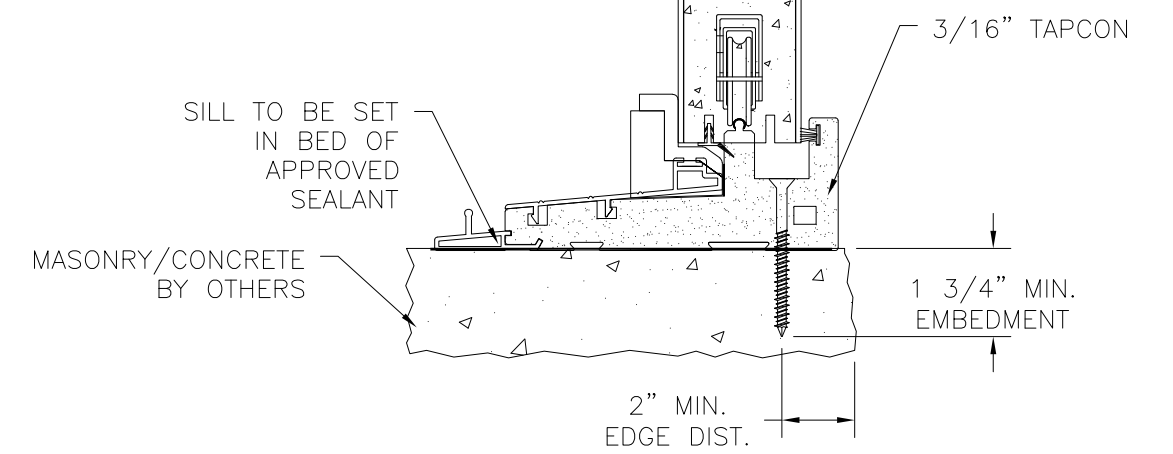


Luis R. Lomas P.E.  
FL No.: 62514

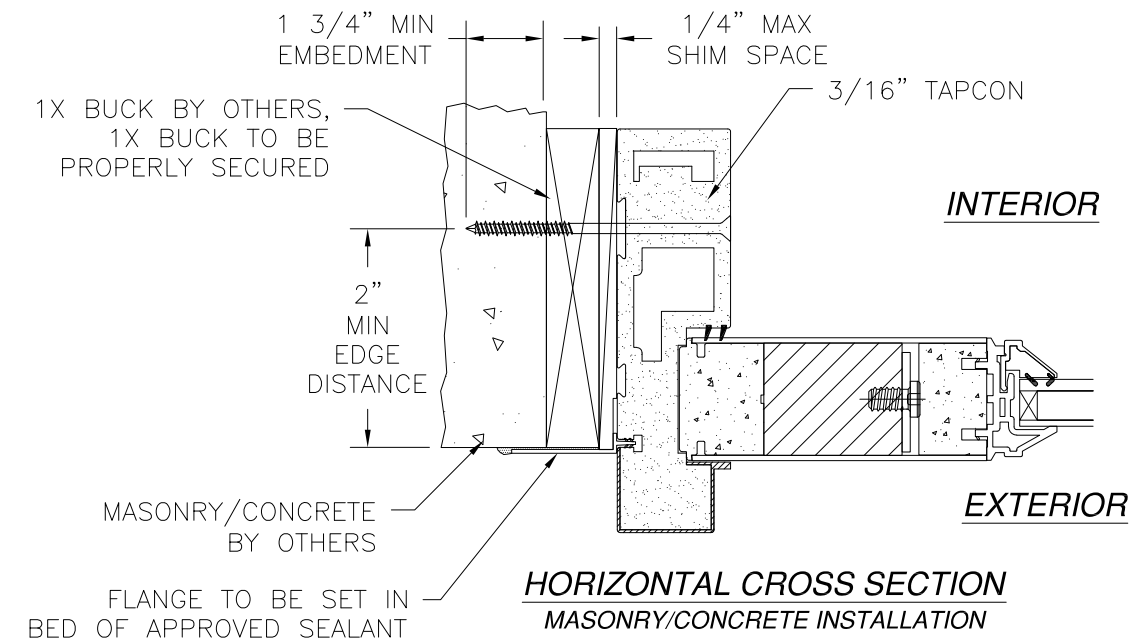
REVISIONS			
REV	DESCRIPTION	DATE	APPROVED
D	REVISED TO ADD GLAZING DETAILS	05/11/2021	R.L.



**EXTERIOR** **INTERIOR**



**VERTICAL CROSS SECTION**  
**MASONRY/CONCRETE INSTALLATION**  
**DOOR SHOWN SIDELITE SIMILAR**



**HORIZONTAL CROSS SECTION**  
**MASONRY/CONCRETE INSTALLATION**

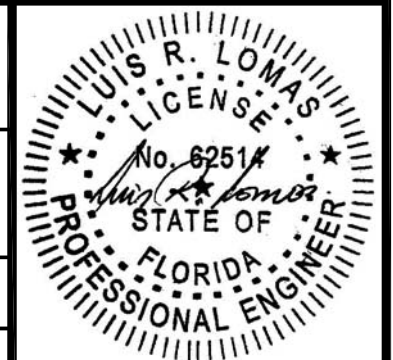
NAN YA PLASTICS CORP. USA  
8989 NORTH LOOP EAST  
HOUSTON, TX 77029

SERIES SRS GLIDING PATIO DOOR W/FIELD MULLION  
FIBERGLASS SLIDING DOOR W/SIDELITE  
INSTALLATION DETAILS

DRAWN: V.L.	DWG NO. 08-01533	REV D
SCALE NTS	DATE 04/02/12	SHEET 8 OF 8

L. ROBERTO LOMAS P.E.  
1432 WOODFORD RD LEWISVILLE, NC 27023  
434-688-0609 rllomas@lrlomaspe.com

SIGNED: 05/17/2021



Luis R. Lomas P.E.  
FL No.: 62514