

REVISIONS			
REV	DESCRIPTION	DATE	APPROVED
D	REVISED TO ADD GLAZING DETAILS	05/11/2021	R.L.

NOTES:


1. THE PRODUCT SHOWN HEREIN IS DESIGNED AND MANUFACTURED TO COMPLY WITH REQUIREMENTS OF THE FLORIDA BUILDING CODE.
2. WOOD FRAMING AND MASONRY OPENING TO BE DESIGNED AND ANCHORED TO PROPERLY TRANSFER ALL LOADS TO STRUCTURE. FRAMING AND MASONRY OPENING IS THE RESPONSIBILITY OF THE ARCHITECT OR ENGINEER OF RECORD.
3. 1X BUCK OVER MASONRY/CONCRETE IS OPTIONAL.
4. WHERE SHIM OR BUCK THICKNESS IS LESS THAN 1-1/2" UNITS MUST BE ANCHORED THROUGH THE FRAME IN ACCORDANCE WITH MANUFACTURER'S PUBLISHED INSTALLATION INSTRUCTIONS. ANCHORS SHALL BE SECURELY FASTENED DIRECTLY INTO MASONRY, CONCRETE OR OTHER STRUCTURAL SUBSTRATE MATERIAL.
5. WHERE WOOD BUCK THICKNESS IS 1-1/2" OR GREATER, BUCK SHALL BE SECURELY FASTENED TO MASONRY, CONCRETE OR OTHER STRUCTURAL SUBSTRATE. UNITS MAY BE ANCHORED THROUGH FRAME TO SECURED WOOD BUCK IN ACCORDANCE WITH MANUFACTURER'S PUBLISHED INSTALLATION INSTRUCTIONS.
6. WHERE 1X BUCK IS NOT USED DISSIMILAR MATERIALS MUST BE SEPARATED WITH APPROVED COATING OR MEMBRANE. SELECTION OF COATING OR MEMBRANE IS THE RESPONSIBILITY OF THE ARCHITECT OR ENGINEER OF RECORD.
7. BUCKS SHALL EXTEND BEYOND UNIT FRAME INTERIOR FACE SO THAT FULL FRAME SUPPORT IS PROVIDED.
8. SHIM AS REQUIRED AT EACH ANCHOR LOCATION WITH LOAD BEARING SHIM. SHIM WHERE SPACE OF 1/16" OR GREATER OCCURS. MAXIMUM ALLOWABLE SHIM STACK TO BE 1/4".
9. SHIMS SHALL BE LOCATED, APPLIED AND MADE FROM MATERIALS AND THICKNESS CAPABLE OF SUSTAINING APPLICABLE LOADS.
10. WIND LOAD DURATION FACTOR Cd=1.6 WAS USED FOR WOOD ANCHOR CALCULATIONS.
11. FRAME JAMB AND HEAD MATERIAL: CO-EXTRUDED PVC FOAM 1 1/2" THICK.
12. FRAME SILL MATERIAL: CO-EXTRUDED PVC FOAM 2" THICK WITH ALUMINUM CLADDING .063" THICK.
13. DOOR PANEL AND SIDELITE MATERIAL: PVC FOAM TOP AND BOTTOM RAILS, AND PVC FOAM VERTICAL STILES WITH PINE REINFORCEMENTS AND POLYURETHANE FOAM CORE.
14. UNITS MUST BE GLAZED PER ASTM E1300, SEE SHEET 5 FOR GLASS DETAILS.
15. APPROVED IMPACT PROTECTIVE SYSTEM IS NOT REQUIRED FOR THIS PRODUCT IN WIND BORNE DEBRIS REGIONS.

16. FOR ANCHORING INTO WOOD FRAMING OR 2X BUCK USE #10 WOOD SCREWS WITH SUFFICIENT LENGTH TO ACHIEVE A 1 1/4" MINIMUM EMBEDMENT INTO SUBSTRATE. LOCATE ANCHORS AS SHOWN IN ELEVATIONS AND INSTALLATION DETAILS.
17. FOR ANCHORING INTO MASONRY/CONCRETE USE 1/4" TAPCONS WITH SUFFICIENT LENGTH TO ACHIEVE A 1 1/4" MINIMUM EMBEDMENT INTO SUBSTRATE WITH 2" MINIMUM EDGE DISTANCE. LOCATE ANCHORS AS SHOWN IN ELEVATIONS AND INSTALLATION DETAILS.
18. FOR ANCHORING INTO METAL STRUCTURE USE #10 SMS OR SELF DRILLING SCREWS WITH SUFFICIENT LENGTH TO ACHIEVE 3 THREADS MINIMUM BEYOND STRUCTURE INTERIOR WALL. LOCATE ANCHORS AS SHOWN IN ELEVATIONS AND INSTALLATION DETAILS.
19. ALL FASTENERS TO BE CORROSION RESISTANT.
20. INSTALLATION ANCHORS SHALL BE INSTALLED IN ACCORDANCE WITH ANCHOR MANUFACTURER'S INSTALLATION INSTRUCTIONS AND ANCHORS SHALL NOT BE USED IN SUBSTRATES WITH STRENGTHS LESS THAN THE MINIMUM STRENGTH SPECIFIED BELOW:
 - A. WOOD: MINIMUM SPECIFIC GRAVITY OF G=0.42
 - B. CONCRETE: MINIMUM COMPRESSIVE STRENGTH OF 2,000 PSI.
 - C. MASONRY: HOLLOW/FILLED BLOCK PER ASTM C90 WITH Fm=2,000PSI MINIMUM.
 - D. METAL STRUCTURE: STEEL 18GA (.048") FY=33KSI/FU=52KSI OR ALUMINUM 6063-T5 FU=30KSI .125" THICK MINIMUM
21. APPROVED CONFIGURATIONS: OX, XO AND OXXO. SEE SHEET 2.

SIGNED: 05/17/2021

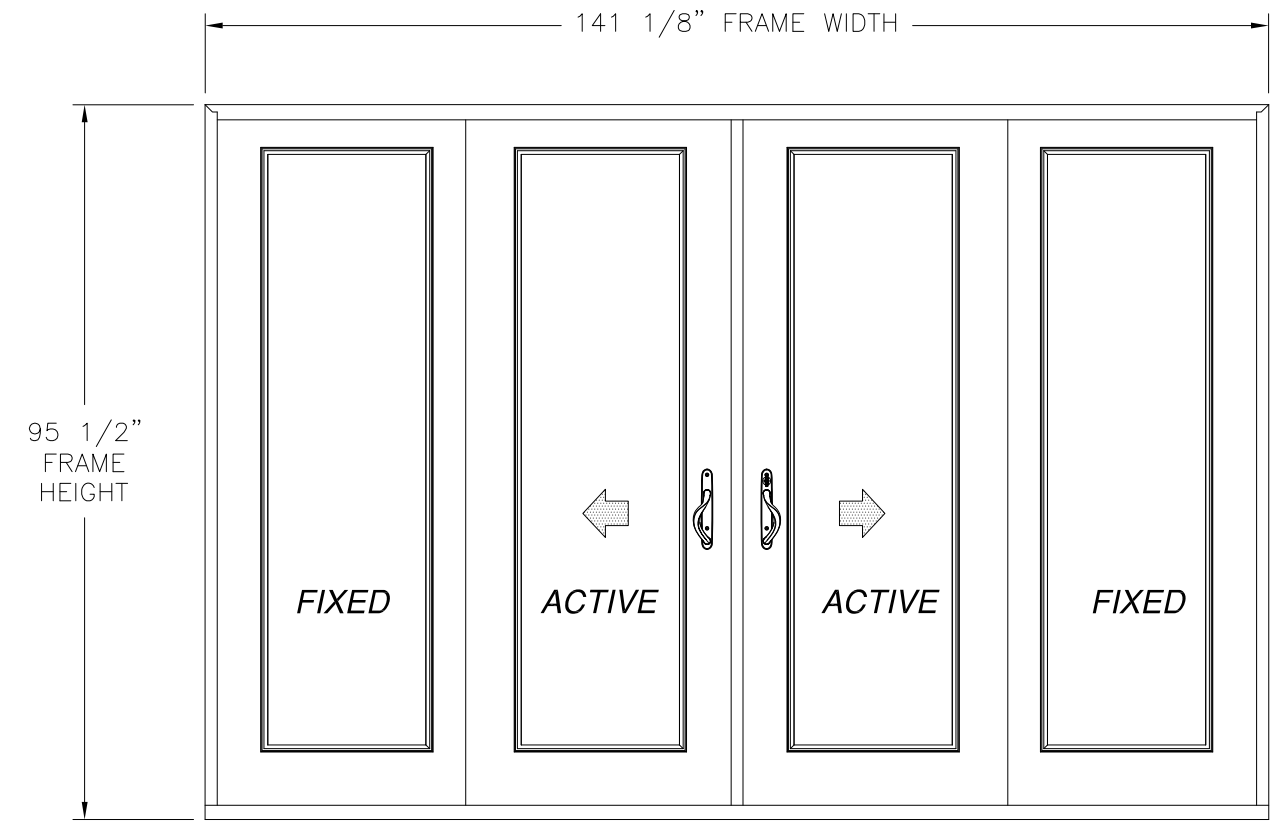
TABLE OF CONTENTS	
SHEET NO.	DESCRIPTION
1	NOTES
2	ELEVATION
3	ANCHORING LAYOUTS
4 - 8	INSTALLATION DETAILS
9	COMPONENTS

NAN YA PLASTICS CORP. USA 8989 NORTH LOOP EAST HOUSTON, TX 77029		
SERIES SPLS FIBERGLASS GLAZED SGD - IMPACT NOTES		
DRAWN: A.P.	DWG NO. 08-01664	REV D
SCALE NTS	DATE 07/03/12	SHEET 1 OF 9
L. ROBERTO LOMAS P.E. 1432 WOODFORD RD LEWISVILLE, NC 27023 434-688-0609 rllomas@rlomaspe.com		



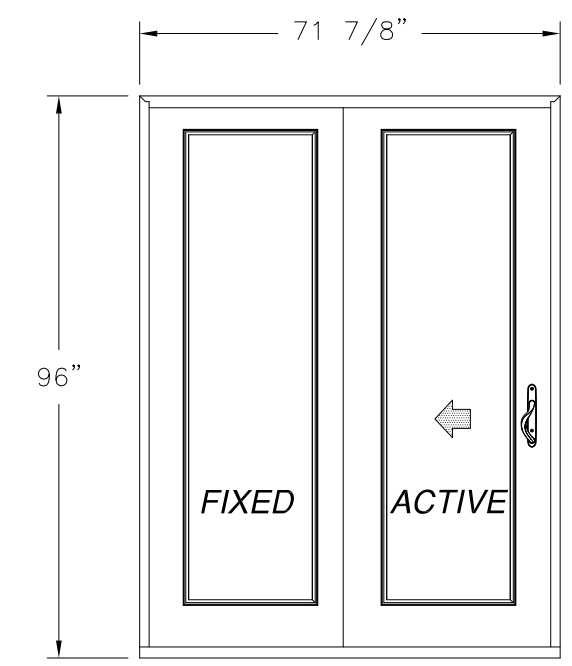
Luis R. Lomas P.E.
FL No.: 62514

REVISIONS			
REV	DESCRIPTION	DATE	APPROVED
D	REVISED TO ADD GLAZING DETAILS	05/11/2021	R.L.

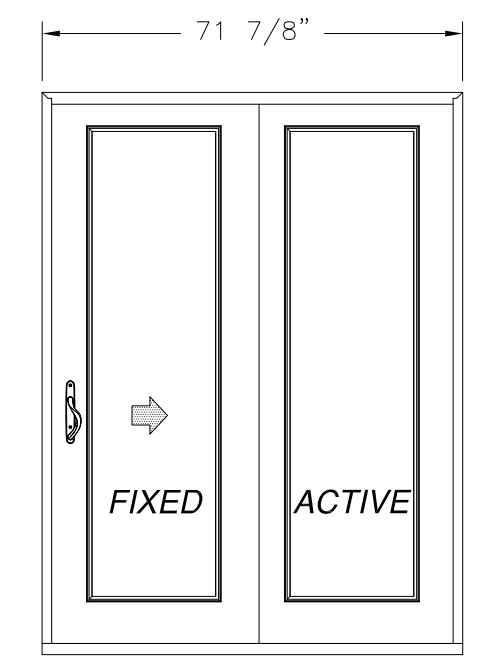


SERIES SPLS FIBERGLASS GLAZED SGD OXXO
EXTERIOR VIEW

NOTES:
 1. PANEL SIZE: 35 3/4" X 92 3/8"
 2. D.L.O.: 25" X 79"



SERIES SPLS FIBERGLASS GLAZED SGD OX
EXTERIOR VIEW



SERIES SPLS FIBERGLASS GLAZED SGD XO
EXTERIOR VIEW

DESIGN PRESSURE RATING	IMPACT RATING
±50PSF	LARGE AND SMALL MISSILE IMPACT

MISSILE LEVEL D, WIND ZONE 4
 35 3/4" X 92 3/8" PANELS SHOWN OTHER PANEL SIZES ARE APPROVED AS LONG AS INDIVIDUAL PANEL AREA DOES NOT EXCEED 22.9 FT²

HARDWARE SCHEDULE	
A.	MULTI POINT LOCKING SYSTEM
B.	(1) DIE CAST HANDLE SET PER ACTIVE PANEL
C.	(2) STAINLESS STEEL TANDEM ROLLERS PER PANEL
D.	PVC ASTRAGAL BY NAN YA PLASTICS

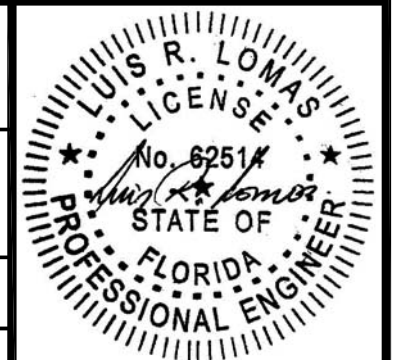
SIGNED: 05/17/2021

NAN YA PLASTICS CORP. USA
 8989 NORTH LOOP EAST
 HOUSTON, TX 77029

SERIES SPLS FIBERGLASS GLAZED SGD - IMPACT ELEVATION

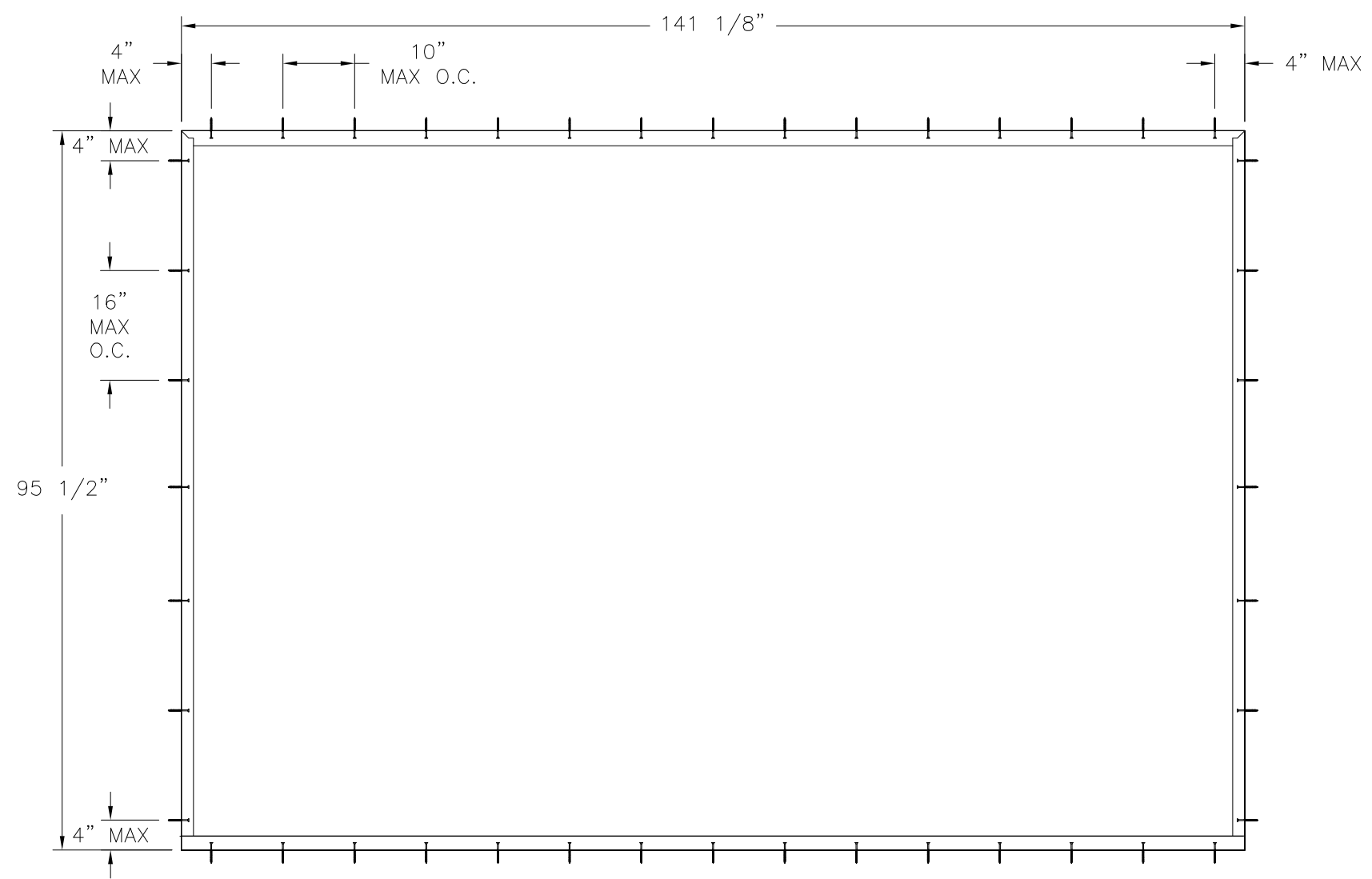
DRAWN: A.P.	DWG NO. 08-01664	REV D
SCALE NTS	DATE 07/03/12	SHEET 2 OF 9

L. ROBERTO LOMAS P.E.
 1432 WOODFORD RD LEWISVILLE, NC 27023
 434-688-0609 rllomas@lrlomaspe.com

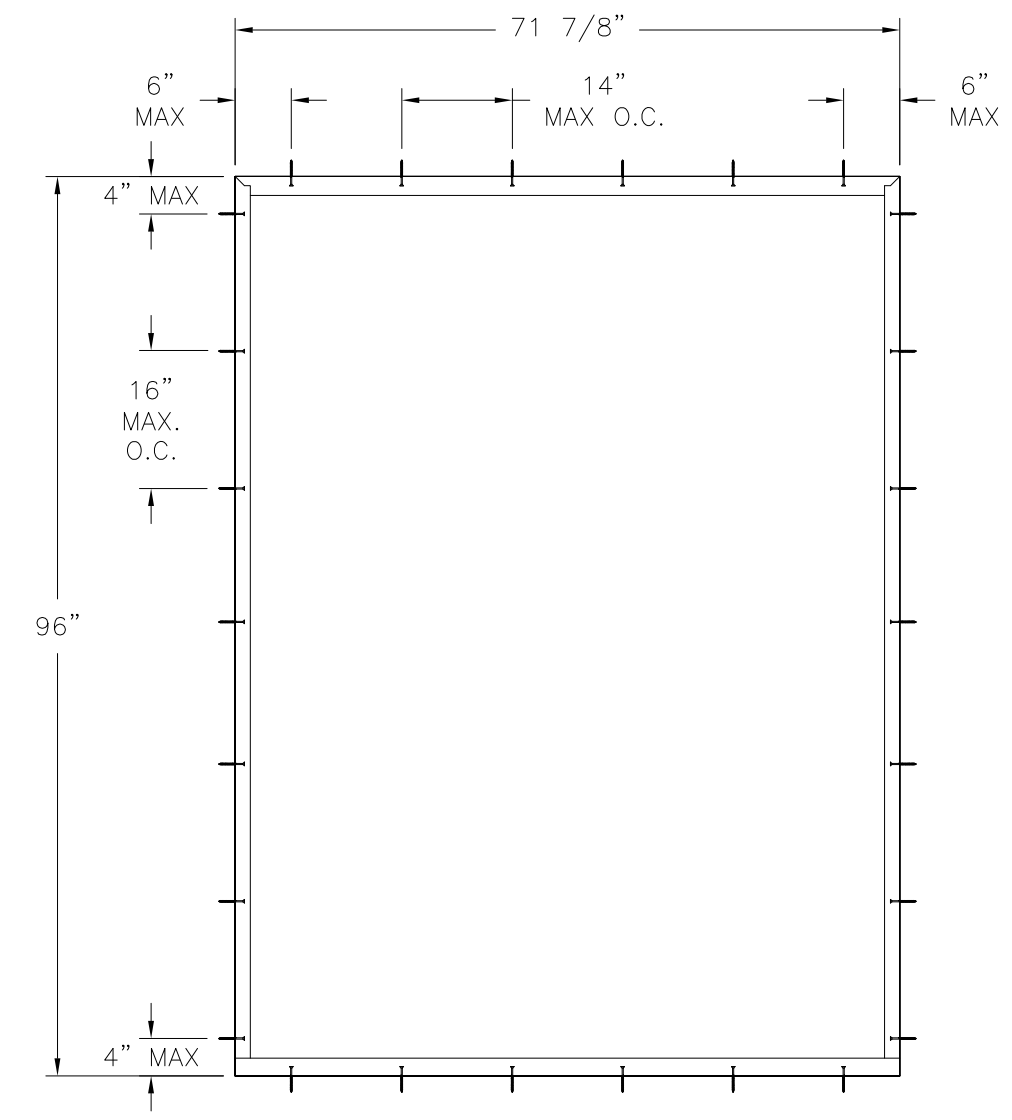


Luis R. Lomas P.E.
 FL No.: 62514

REVISIONS			
REV	DESCRIPTION	DATE	APPROVED
D	REVISED TO ADD GLAZING DETAILS	05/11/2021	R.L.



ANCHORING LAYOUT FOR OXXO
EXTERIOR VIEW



ANCHORING LAYOUT FOR OX OR XO
EXTERIOR VIEW

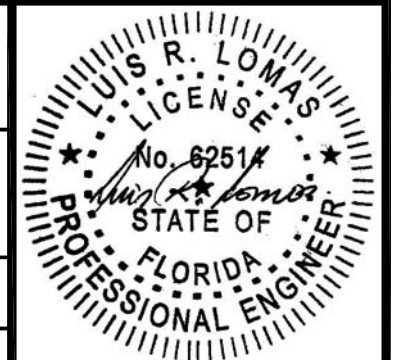
SIGNED: 05/17/2021

NAN YA PLASTICS CORP. USA
8989 NORTH LOOP EAST
HOUSTON, TX 77029

SERIES SPLS FIBERGLASS
GLAZED SGD - IMPACT
ANCHORING LAYOUTS

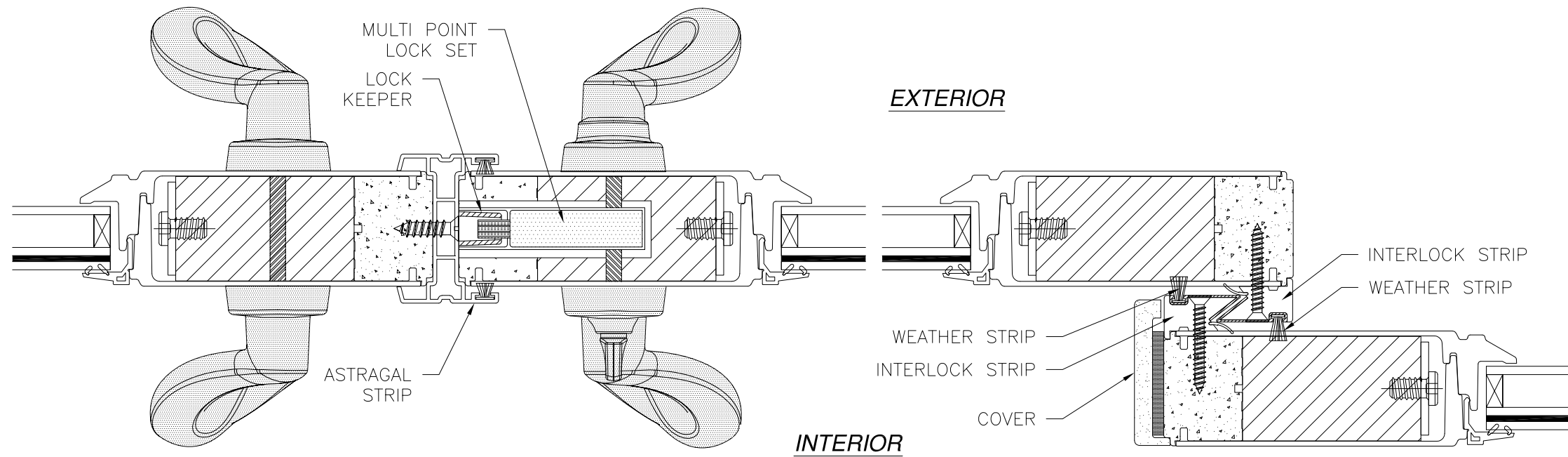
DRAWN: A.P.	DWG NO. 08-01664	REV D
SCALE NTS	DATE 07/03/12	SHEET 3 OF 9

L. ROBERTO LOMAS P.E.
1432 WOODFORD RD LEWISVILLE, NC 27023
434-688-0609 rllomas@rlomaspe.com

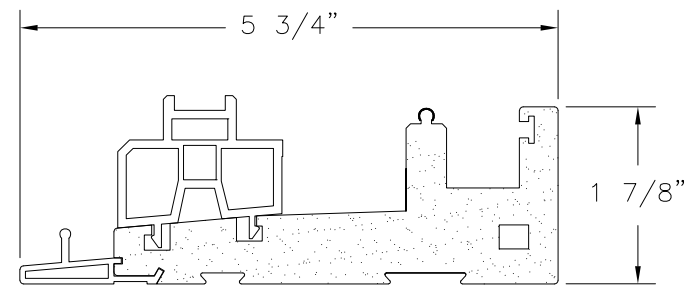


Luis R. Lomas P.E.
FL No.: 62514

REVISIONS			
REV	DESCRIPTION	DATE	APPROVED
D	REVISED TO ADD GLAZING DETAILS	05/11/2021	R.L.



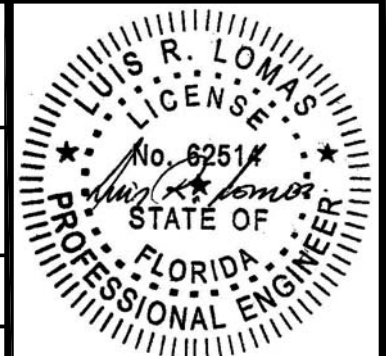
ASTRAGAL AND MEETING RAIL DETAIL



DOOR SILL

SIGNED: 05/17/2021

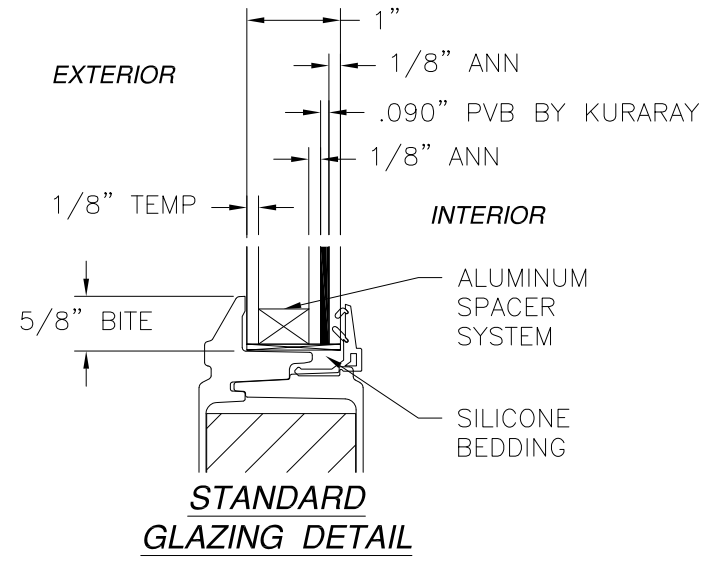
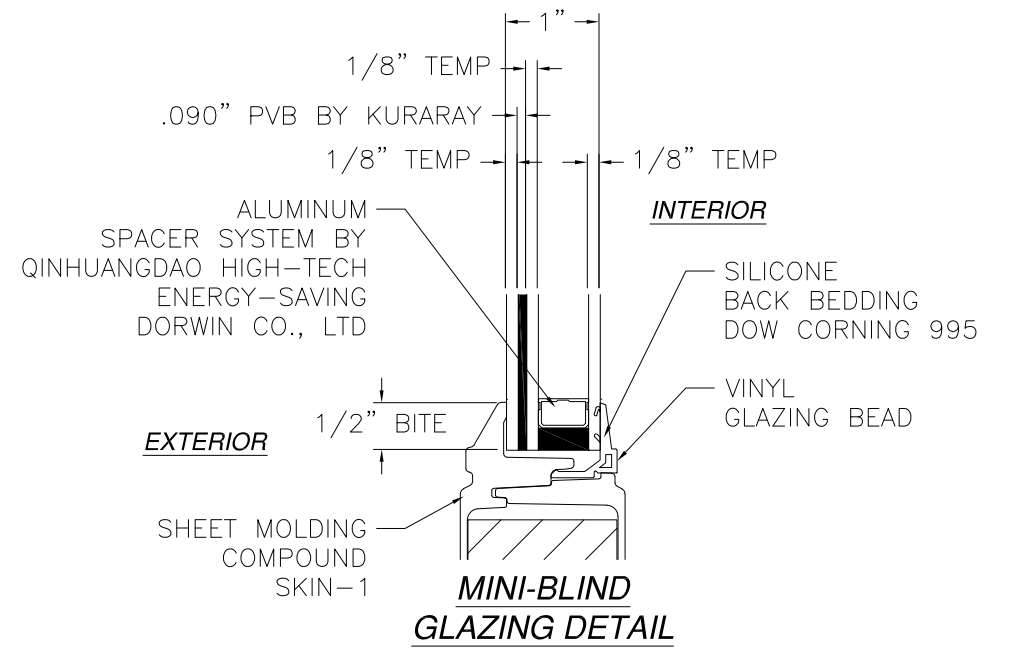
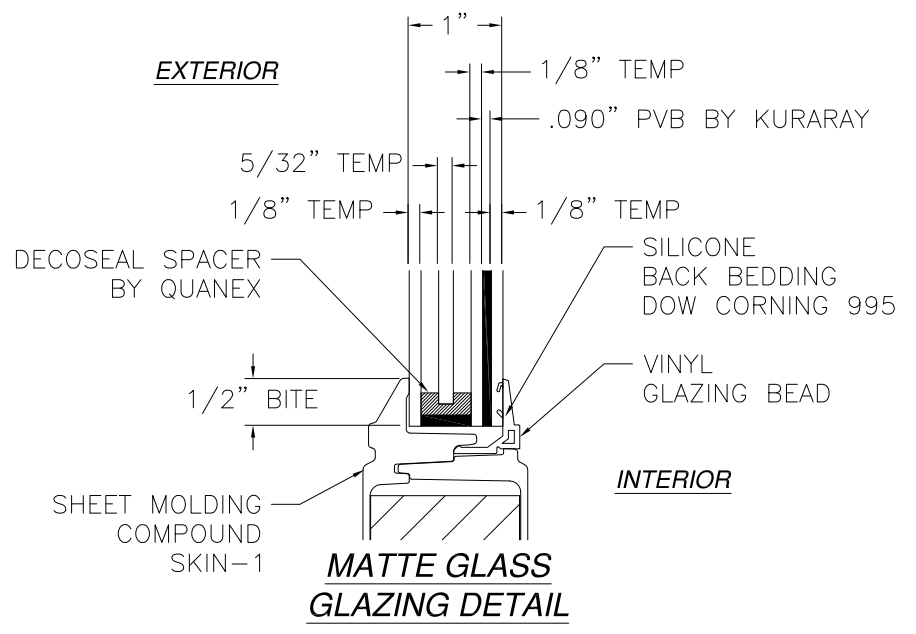
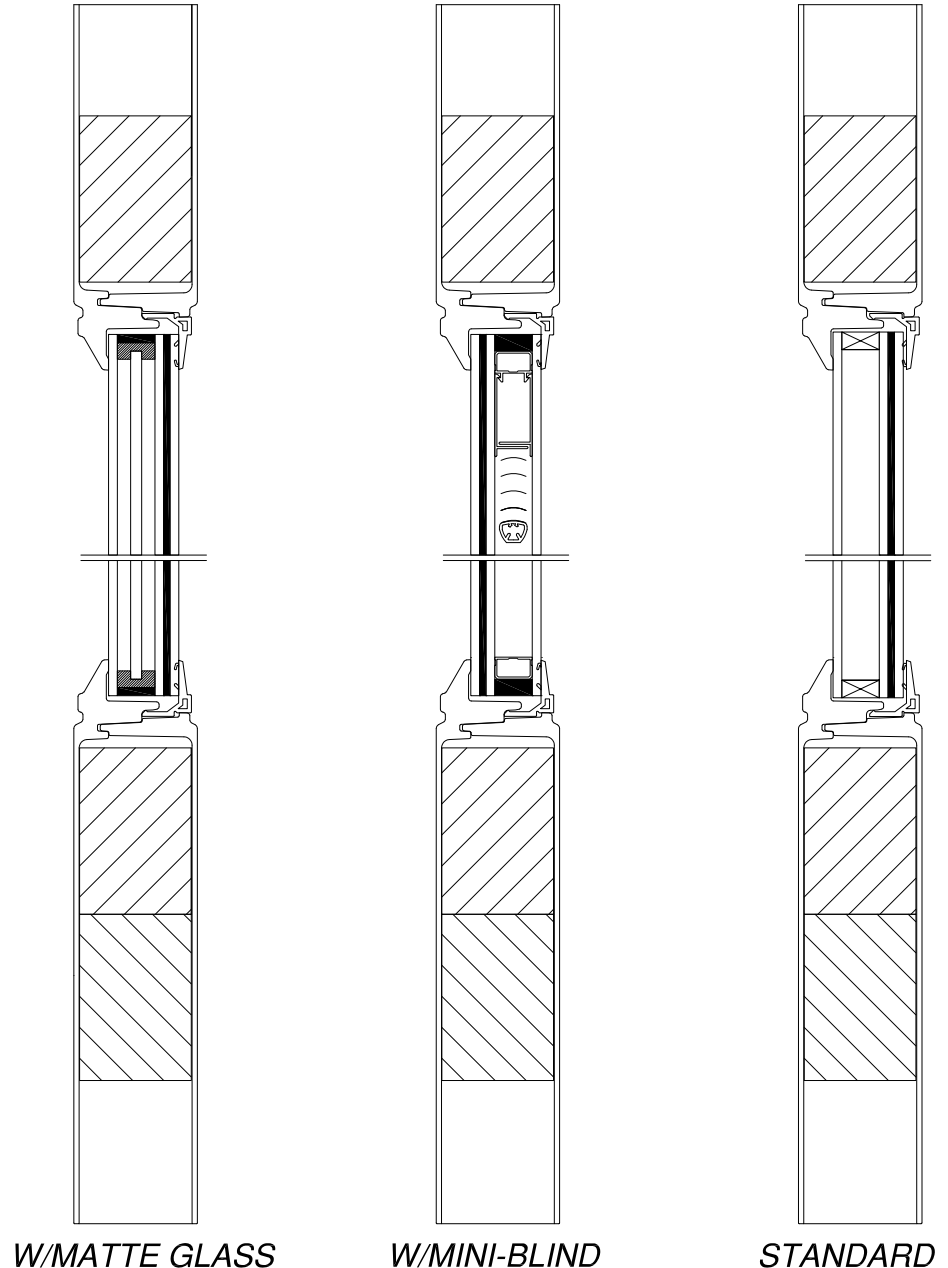
NAN YA PLASTICS CORP. USA 8989 NORTH LOOP EAST HOUSTON, TX 77029		
SERIES SPLS FIBERGLASS GLAZED SGD - IMPACT INSTALLATION DETAILS		
DRAWN: A.P.	DWG NO. 08-01664	REV D
SCALE NTS	DATE 07/03/12	SHEET 4 OF 9
L. ROBERTO LOMAS P.E. 1432 WOODFORD RD LEWISVILLE, NC 27023 434-688-0609 rllomas@lrlomaspe.com		



Luis R. Lomas P.E.
FL No.: 62514

REVISIONS			
REV	DESCRIPTION	DATE	APPROVED
D	REVISED TO ADD GLAZING DETAILS	05/11/2021	R.L.

APPROVED PANEL CONFIGURATIONS



SIGNED: 05/17/2021

NAN YA PLASTICS CORP. USA
 8989 NORTH LOOP EAST
 HOUSTON, TX 77029

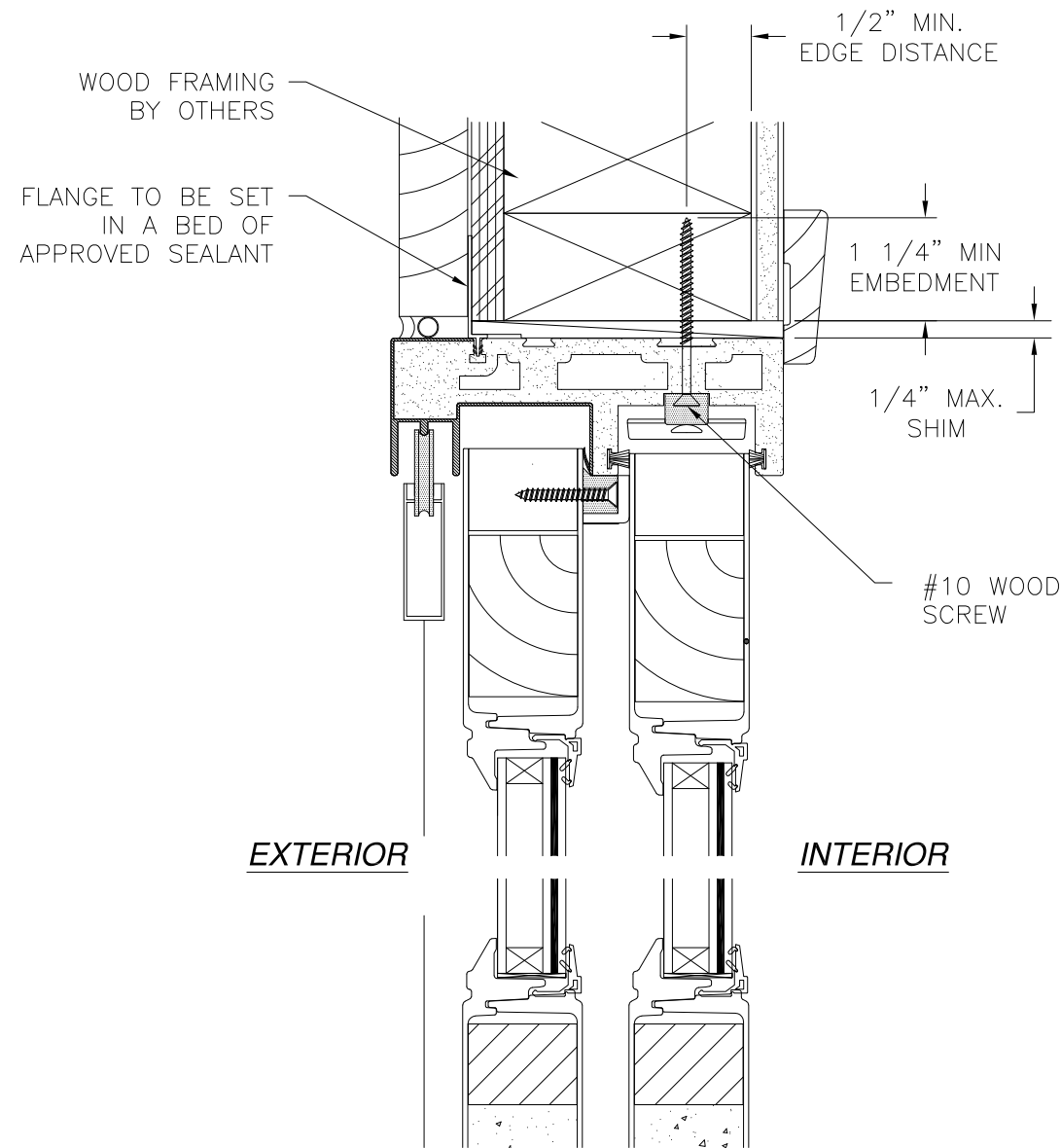
SERIES SPLS FIBERGLASS
 GLAZED SGD - IMPACT
 GLAZING DETAILS

DRAWN: A.P.	DWG NO. 08-01664	REV D
SCALE NTS	DATE 07/03/12	SHEET 5 OF 9

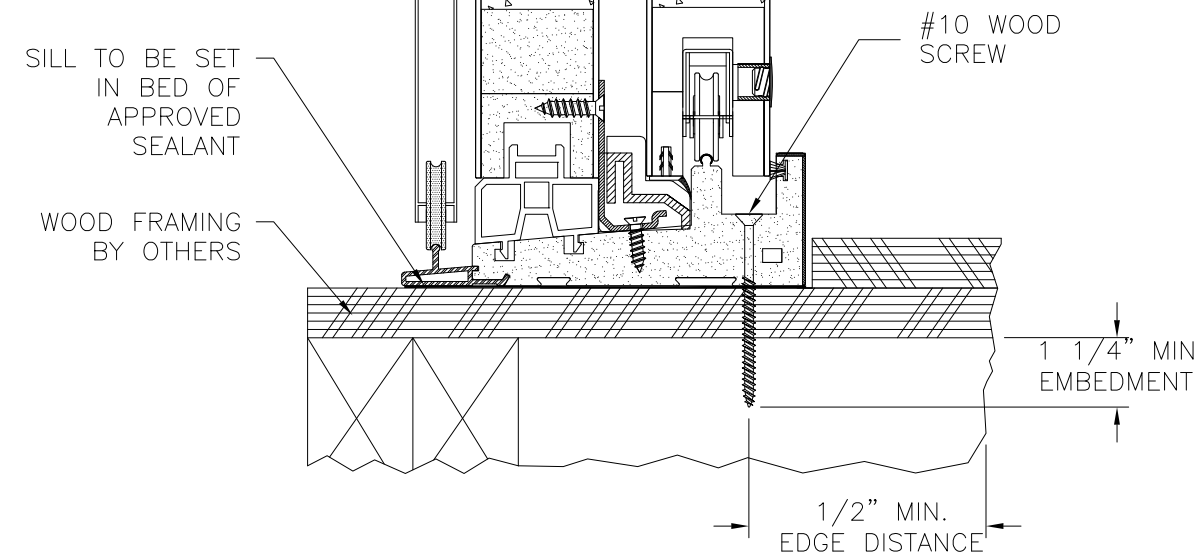
L. ROBERTO LOMAS P.E.
 1432 WOODFORD RD LEWISVILLE, NC 27023
 434-688-0609 rllomas@rlomaspe.com

Luis R. Lomas P.E.
 FL No.: 62514

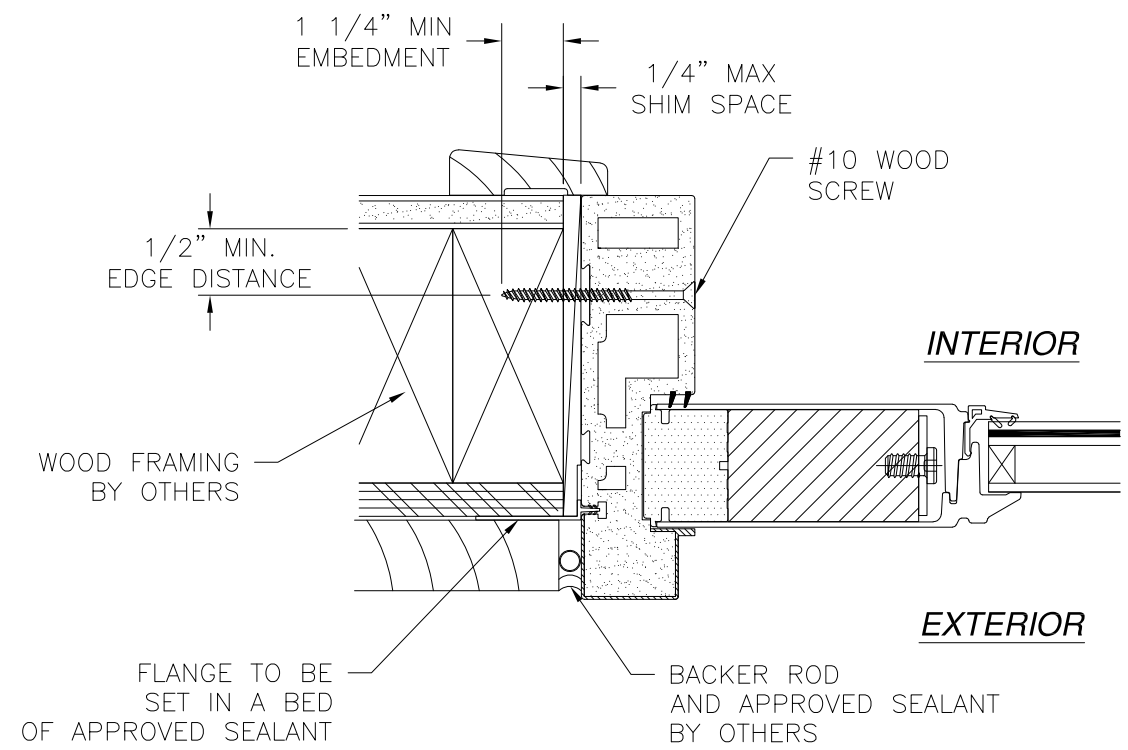
REVISIONS			
REV	DESCRIPTION	DATE	APPROVED
D	REVISED TO ADD GLAZING DETAILS	05/11/2021	R.L.



EXTERIOR **INTERIOR**



VERTICAL CROSS SECTION
 DOOR SHOWN, SIDELITE SIMILAR
 2X BUCK/WOOD FRAMING INSTALLATION



HORIZONTAL CROSS SECTION
 2X BUCK/WOOD FRAMING INSTALLATION

- NOTES:**
1. INTERIOR AND EXTERIOR FINISHES, BY OTHERS, NOT SHOWN FOR CLARITY.
 2. PERIMETER AND JOINT SEALANT BY OTHERS TO BE DESIGNED IN ACCORDANCE WITH ASTM E2112

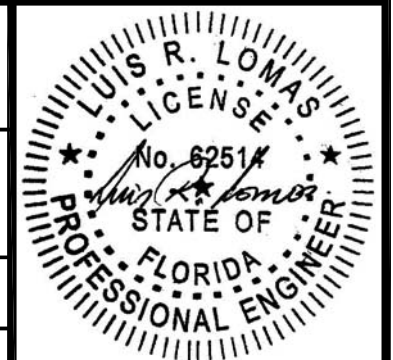
SIGNED: 05/17/2021

NAN YA PLASTICS CORP. USA
 8989 NORTH LOOP EAST
 HOUSTON, TX 77029

SERIES SPLS FIBERGLASS
 GLAZED SGD - IMPACT
 INSTALLATION DETAILS

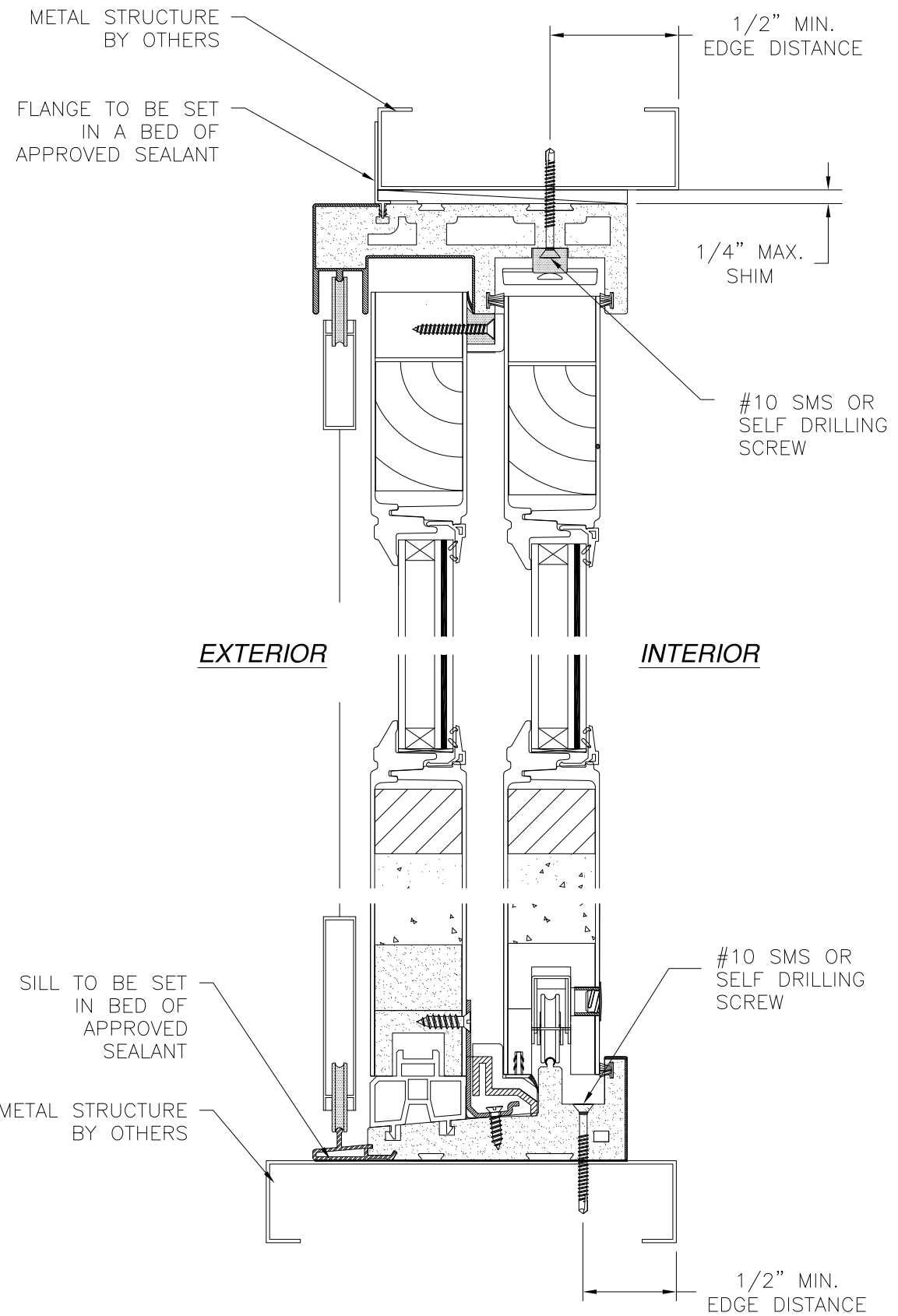
DRAWN: A.P.	DWG NO. 08-01664	REV D
SCALE NTS	DATE 07/03/12	SHEET 6 OF 9

L. ROBERTO LOMAS P.E.
 1432 WOODFORD RD LEWISVILLE, NC 27023
 434-688-0609 rllomas@rlomaspe.com

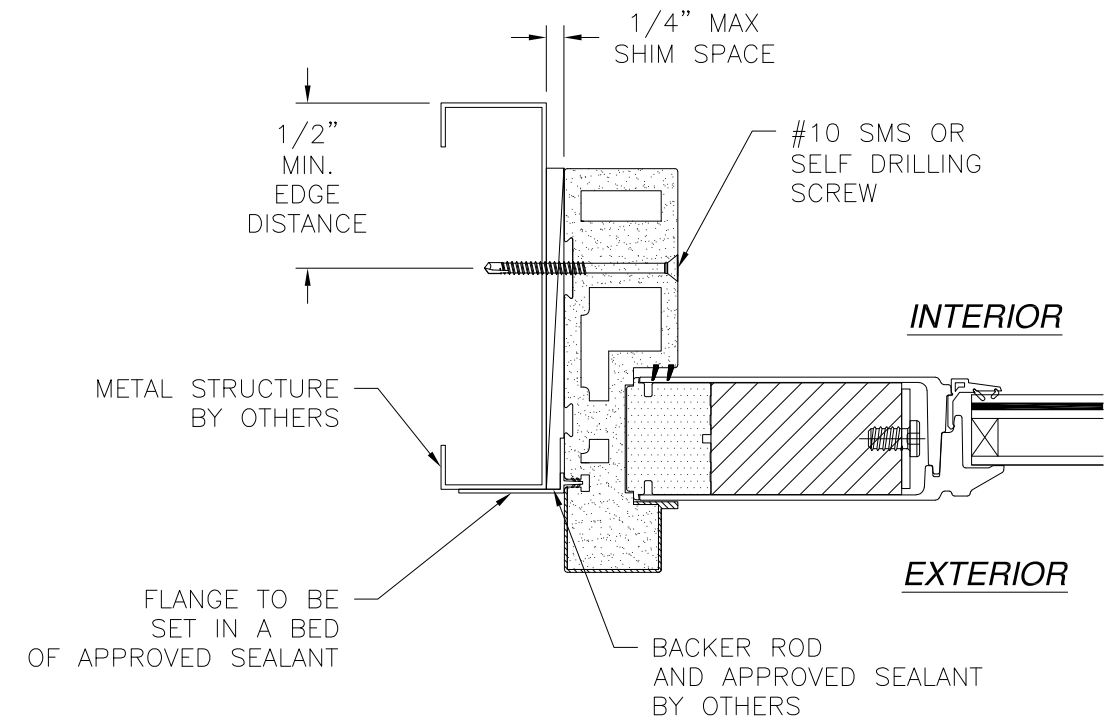


Luis R. Lomas P.E.
 FL No.: 62514

REVISIONS			
REV	DESCRIPTION	DATE	APPROVED
D	REVISED TO ADD GLAZING DETAILS	05/11/2021	R.L.



VERTICAL CROSS SECTION
DOOR SHOWN, SIDELITE SIMILAR
METAL STRUCTURE INSTALLATION



HORIZONTAL CROSS SECTION
METAL STRUCTURE INSTALLATION

- NOTES:**
1. INTERIOR AND EXTERIOR FINISHES, BY OTHERS, NOT SHOWN FOR CLARITY.
 2. PERIMETER AND JOINT SEALANT BY OTHERS TO BE DESIGNED IN ACCORDANCE WITH ASTM E2112

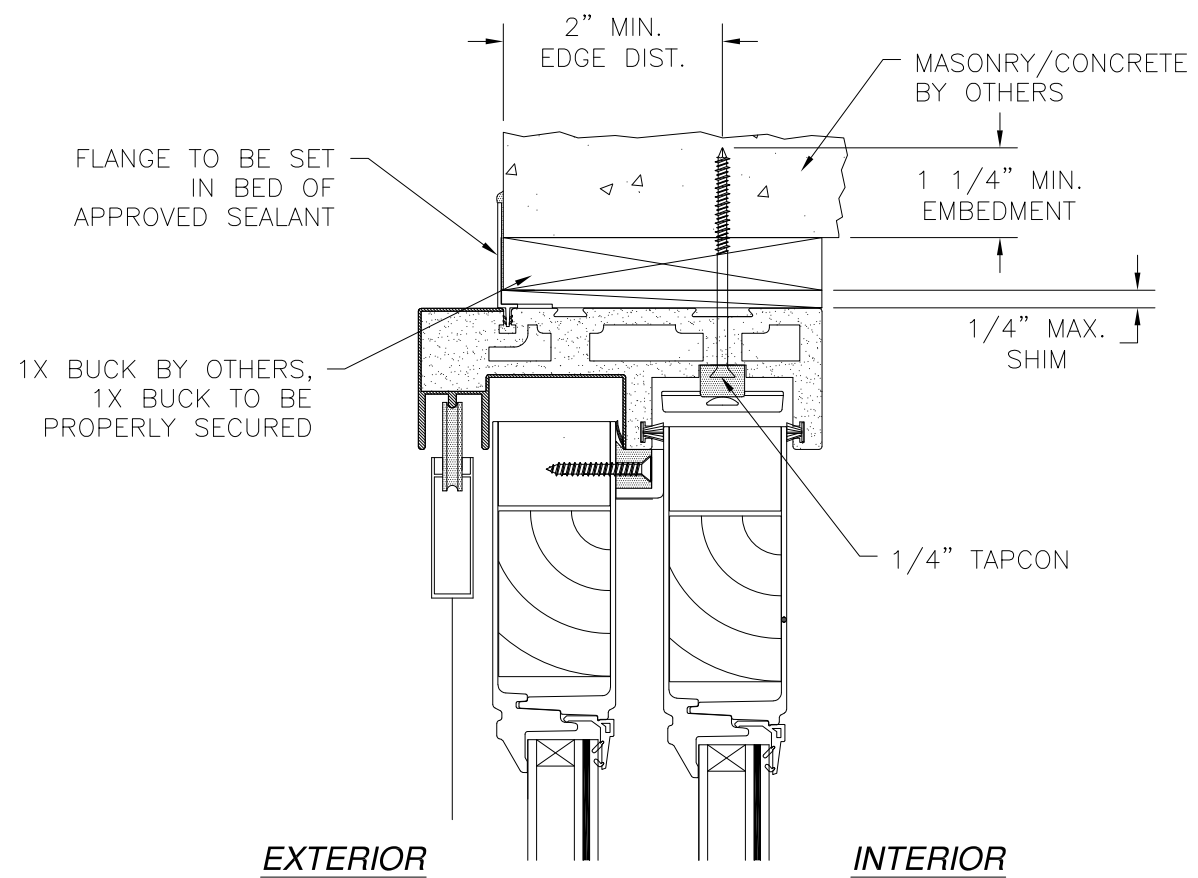
SIGNED: 05/17/2021

<p>NAN YA PLASTICS CORP. USA 8989 NORTH LOOP EAST HOUSTON, TX 77029</p>		
<p>SERIES SPLS FIBERGLASS GLAZED SGD - IMPACT INSTALLATION DETAILS</p>		
<p>DRAWN: A.P.</p>	<p>DWG NO. 08-01664</p>	<p>REV D</p>
<p>SCALE NTS</p>	<p>DATE 07/03/12</p>	<p>SHEET 7 OF 9</p>
<p>L. ROBERTO LOMAS P.E. 1432 WOODFORD RD LEWISVILLE, NC 27023 434-688-0609 rllomas@rlomaspe.com</p>		

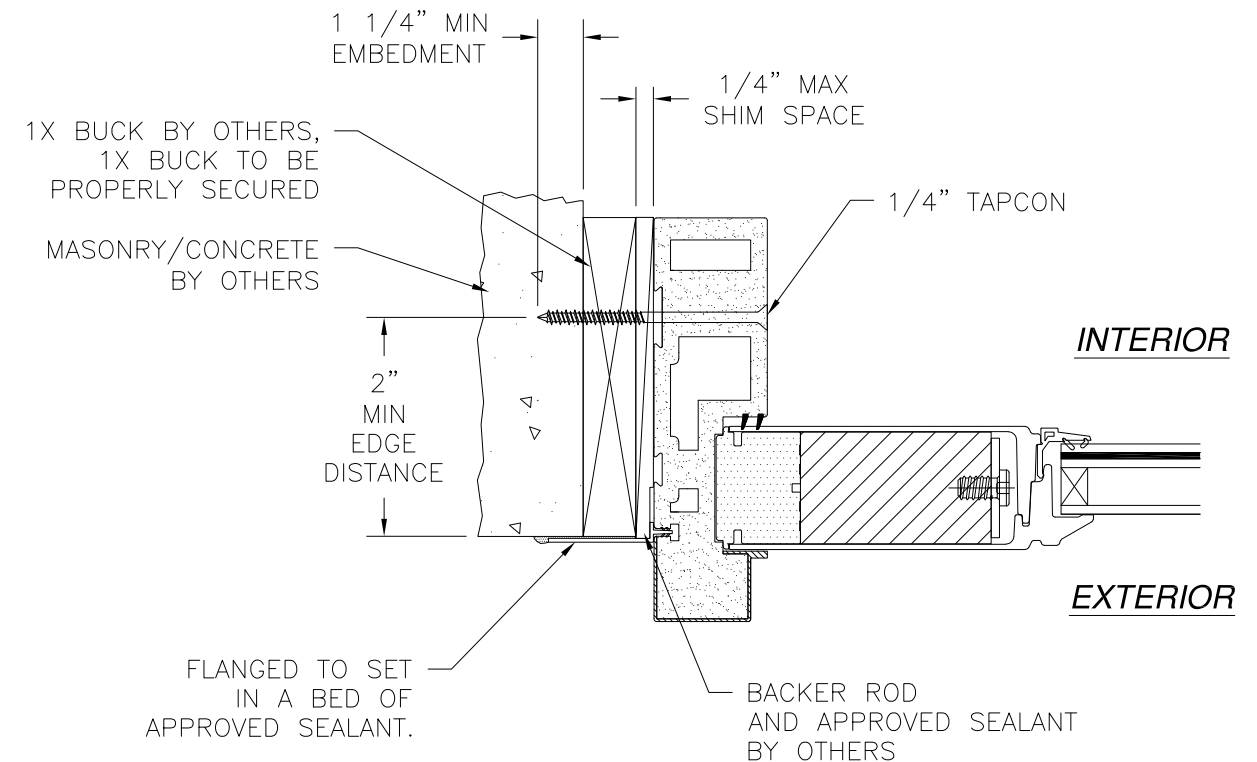


Luis R. Lomas P.E.
FL No.: 62514

REVISIONS			
REV	DESCRIPTION	DATE	APPROVED
D	REVISED TO ADD GLAZING DETAILS	05/11/2021	R.L.



VERTICAL CROSS SECTION
MASONRY/CONCRETE INSTALLATION
DOOR SHOWN SIDELITE SIMILAR



HORIZONTAL CROSS SECTION
MASONRY/CONCRETE INSTALLATION

- NOTES:**
1. INTERIOR AND EXTERIOR FINISHES, BY OTHERS, NOT SHOWN FOR CLARITY.
 2. PERIMETER AND JOINT SEALANT BY OTHERS TO BE DESIGNED IN ACCORDANCE WITH ASTM E2112

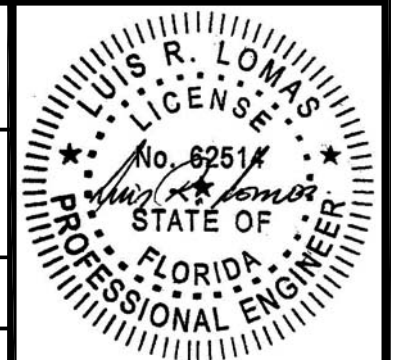
SIGNED: 05/17/2021

NAN YA PLASTICS CORP. USA
8989 NORTH LOOP EAST
HOUSTON, TX 77029

SERIES SPLS FIBERGLASS
GLAZED SGD - IMPACT
INSTALLATION DETAILS

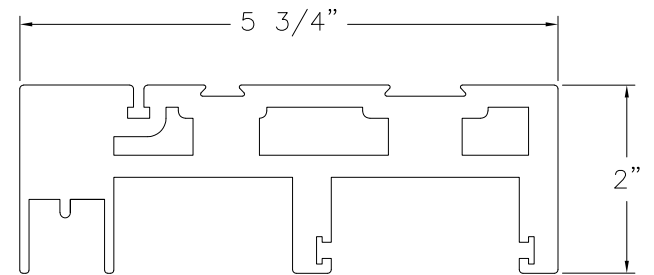
DRAWN: A.P.	DWG NO. 08-01664	REV D
SCALE NTS	DATE 07/03/12	SHEET 8 OF 9

L. ROBERTO LOMAS P.E.
1432 WOODFORD RD LEWISVILLE, NC 27023
434-688-0609 rllomas@rlomaspe.com

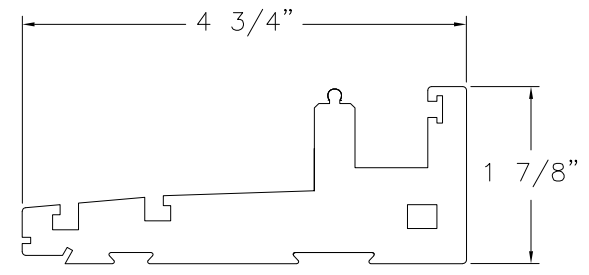


Luis R. Lomas P.E.
FL No.: 62514

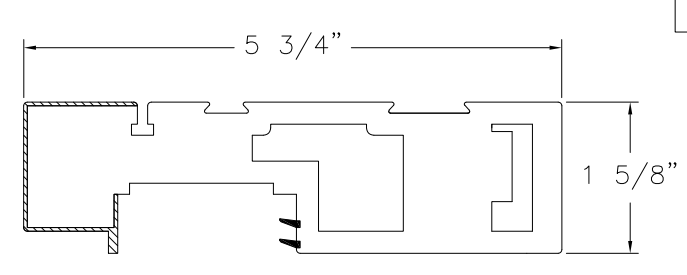
REVISIONS			
REV	DESCRIPTION	DATE	APPROVED
D	REVISED TO ADD GLAZING DETAILS	05/11/2021	R.L.



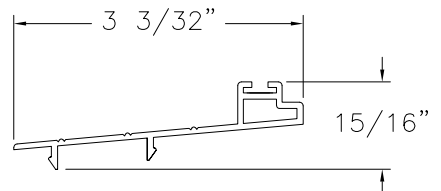
HEAD
FOAM PVC CO-EX



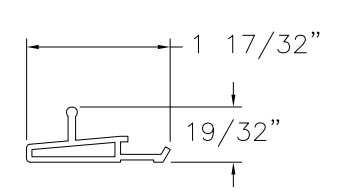
SILL
FOAM PVC



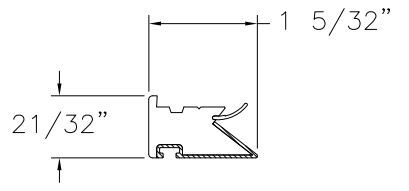
JAMB
FOAM PVC



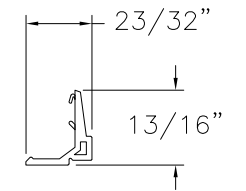
SILL BOARD
ALUMINUM



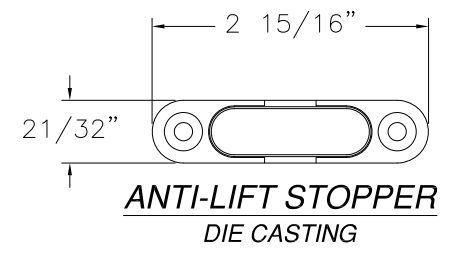
SCREEN TRACK
ALUMINUM



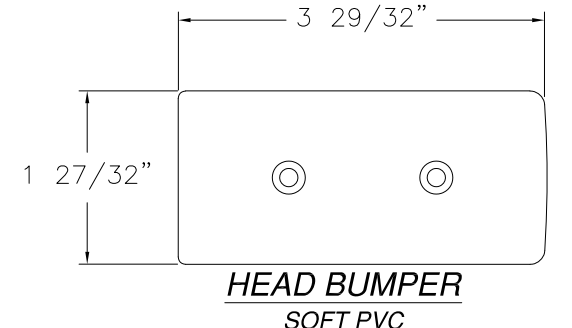
INTERLOCK STRIP
FOAM PVC



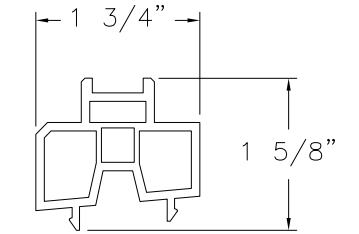
GLAZING BEAD
PVC



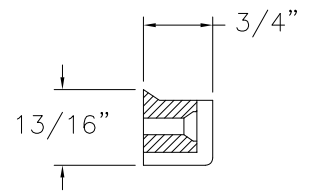
ANTI-LIFT STOPPER
DIE CASTING



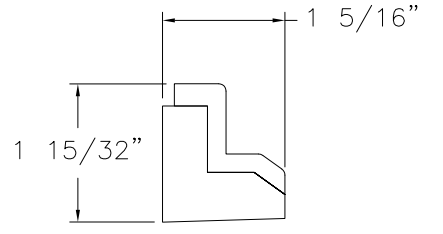
HEAD BUMPER
SOFT PVC



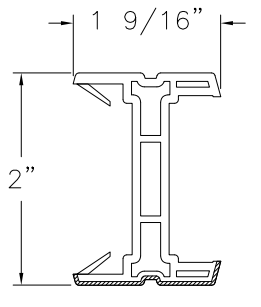
STATIONARY BASE
RIGID PVC



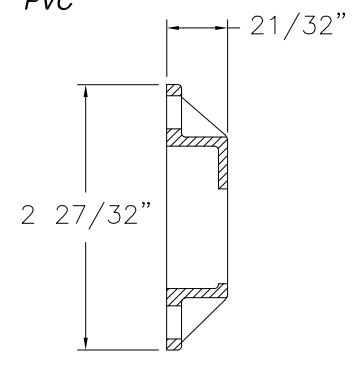
WIND STOPPER (A)
FOAM EPDM



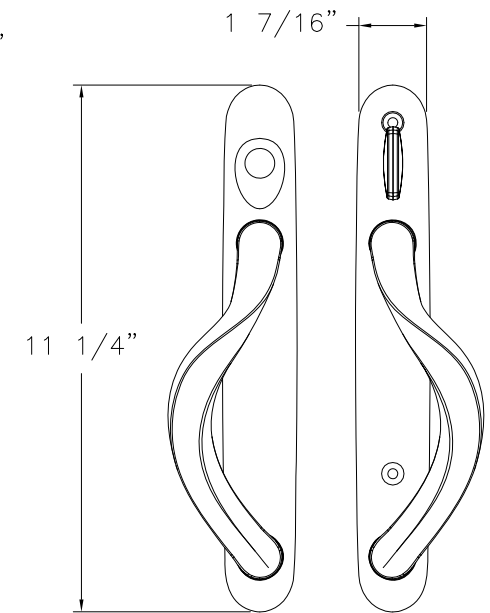
WIND STOPPER (B)
FOAM EPDM



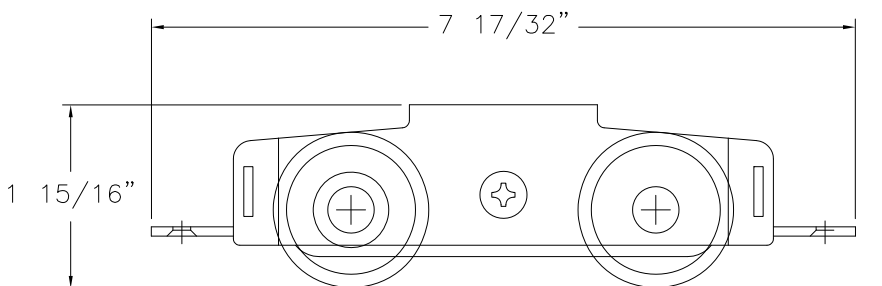
ASTRAGAL STRIP
RIGID PVC



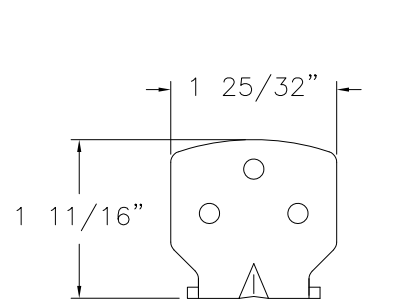
LOCK KEEPER
DIE CASTING



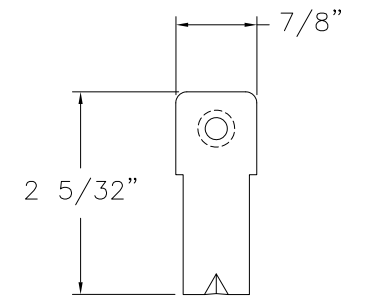
GLIDING HANDLE
DIE CAST, STEEL



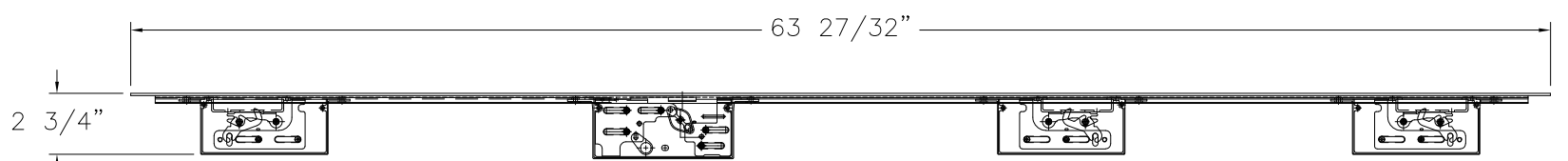
ADJUSTABLE ROLLER
STAINLESS STEEL



TOP BRACKET
STAINLESS STEEL



DOWNSIDE BRACKET
STAINLESS STEEL



MULTI-POINT LOCK
STAINLESS STEEL

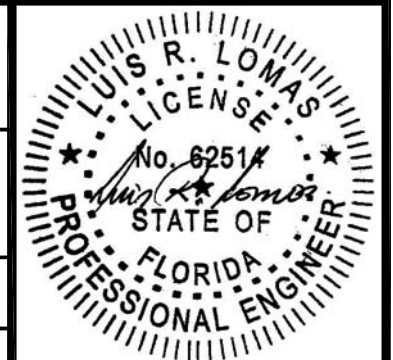
NAN YA PLASTICS CORP. USA
8989 NORTH LOOP EAST
HOUSTON, TX 77029

SERIES SPLS FIBERGLASS
GLAZED SGD - IMPACT
COMPONENTS

DRAWN: A.P.	DWG NO. 08-01664	REV D
SCALE NTS	DATE 07/03/12	SHEET 9 OF 9

L. ROBERTO LOMAS P.E.
1432 WOODFORD RD LEWISVILLE, NC 27023
434-688-0609 rllomas@rlomaspe.com

SIGNED: 05/17/2021



Luis R. Lomas P.E.
FL No.: 62514