

| REVISIONS |                                |            |          |
|-----------|--------------------------------|------------|----------|
| REV       | DESCRIPTION                    | DATE       | APPROVED |
| C         | REVISED TO ADD GLAZING DETAILS | 05/12/2021 | R.L.     |

NOTES:


1. THE PRODUCT SHOWN HEREIN IS DESIGNED AND MANUFACTURED TO COMPLY WITH REQUIREMENTS OF THE FLORIDA BUILDING CODE.
2. WOOD FRAMING AND MASONRY OPENING TO BE DESIGNED AND ANCHORED TO PROPERLY TRANSFER ALL LOADS TO STRUCTURE. FRAMING AND MASONRY OPENING IS THE RESPONSIBILITY OF THE ARCHITECT OR ENGINEER OF RECORD.
3. 1X BUCK OVER MASONRY/CONCRETE IS OPTIONAL.
4. WHERE SHIM OR BUCK THICKNESS IS LESS THAN 1-1/2" UNITS MUST BE ANCHORED THROUGH THE FRAME IN ACCORDANCE WITH MANUFACTURER'S PUBLISHED INSTALLATION INSTRUCTIONS. ANCHORS SHALL BE SECURELY FASTENED DIRECTLY INTO MASONRY, CONCRETE OR OTHER STRUCTURAL SUBSTRATE MATERIAL.
5. WHERE WOOD BUCK THICKNESS IS 1-1/2" OR GREATER, BUCK SHALL BE SECURELY FASTENED TO MASONRY, CONCRETE OR OTHER STRUCTURAL SUBSTRATE. UNITS MAY BE ANCHORED THROUGH FRAME TO SECURED WOOD BUCK IN ACCORDANCE WITH MANUFACTURER'S PUBLISHED INSTALLATION INSTRUCTIONS.
6. WHERE 1X BUCK IS NOT USED DISSIMILAR MATERIALS MUST BE SEPARATED WITH APPROVED COATING OR MEMBRANE. SELECTION OF COATING OR MEMBRANE IS THE RESPONSIBILITY OF THE ARCHITECT OR ENGINEER OF RECORD.
7. BUCKS SHALL EXTEND BEYOND UNIT FRAME INTERIOR FACE SO THAT FULL FRAME SUPPORT IS PROVIDED.
8. SHIM AS REQUIRED AT EACH ANCHOR LOCATION WITH LOAD BEARING SHIM. SHIM WHERE SPACE OF 1/16" OR GREATER OCCURS. MAXIMUM ALLOWABLE SHIM STACK TO BE 1/4".
9. SHIMS SHALL BE LOCATED, APPLIED AND MADE FROM MATERIALS AND THICKNESS CAPABLE OF SUSTAINING APPLICABLE LOADS.
10. WIND LOAD DURATION FACTOR Cd=1.6 WAS USED FOR WOOD ANCHOR CALCULATIONS.
11. FRAME JAMB AND HEAD MATERIAL: CO-EXTRUDED PVC FOAM 1 1/2" THICK.
12. FRAME SILL MATERIAL: CO-EXTRUDED PVC FOAM 2" THICK WITH ALUMINUM CLADDING .063" THICK.
13. DOOR PANEL AND SIDELITE MATERIAL: PVC FOAM TOP AND BOTTOM RAILS, AND PVC FOAM VERTICAL STILES WITH PINE REINFORCEMENTS AND POLYURETHANE FOAM CORE.
14. UNITS MUST BE GLAZED PER ASTM E1300, SEE SHEET 5 FOR GLASS DETAILS.
15. APPROVED IMPACT PROTECTIVE SYSTEM IS NOT REQUIRED FOR THIS PRODUCT IN WIND BORNE DEBRIS REGIONS.

16. FOR ANCHORING INTO WOOD FRAMING OR 2X BUCK USE #10 WOOD SCREWS WITH SUFFICIENT LENGTH TO ACHIEVE A 1 1/4" MINIMUM EMBEDMENT INTO SUBSTRATE. LOCATE ANCHORS AS SHOWN IN ELEVATIONS AND INSTALLATION DETAILS.
17. FOR ANCHORING INTO MASONRY/CONCRETE USE 1/4" TAPCONS WITH SUFFICIENT LENGTH TO ACHIEVE A 1 1/4" MINIMUM EMBEDMENT INTO SUBSTRATE WITH 2" MINIMUM EDGE DISTANCE. LOCATE ANCHORS AS SHOWN IN ELEVATIONS AND INSTALLATION DETAILS.
18. FOR ANCHORING INTO METAL STRUCTURE USE #10 SMS OR SELF DRILLING SCREWS WITH SUFFICIENT LENGTH TO ACHIEVE 3 THREADS MINIMUM BEYOND STRUCTURE INTERIOR WALL. LOCATE ANCHORS AS SHOWN IN ELEVATIONS AND INSTALLATION DETAILS.
19. ALL FASTENERS TO BE CORROSION RESISTANT.
20. INSTALLATION ANCHORS SHALL BE INSTALLED IN ACCORDANCE WITH ANCHOR MANUFACTURER'S INSTALLATION INSTRUCTIONS AND ANCHORS SHALL NOT BE USED IN SUBSTRATES WITH STRENGTHS LESS THAN THE MINIMUM STRENGTH SPECIFIED BELOW:
  - A. WOOD: MINIMUM SPECIFIC GRAVITY OF G=0.42
  - B. CONCRETE: MINIMUM COMPRESSIVE STRENGTH OF 2,000 PSI.
  - C. MASONRY: HOLLOW/FILLED BLOCK PER ASTM C90 WITH Fm=2,000PSI MINIMUM.
  - D. METAL STRUCTURE: STEEL 18GA (.048") FY=33KSI/FU=52KSI OR ALUMINUM 6063-T5 FU=30KSI .125" THICK MINIMUM
21. APPROVED CONFIGURATIONS: OX, XO AND OXXO. SEE SHEET 2.

SIGNED: 05/17/2021

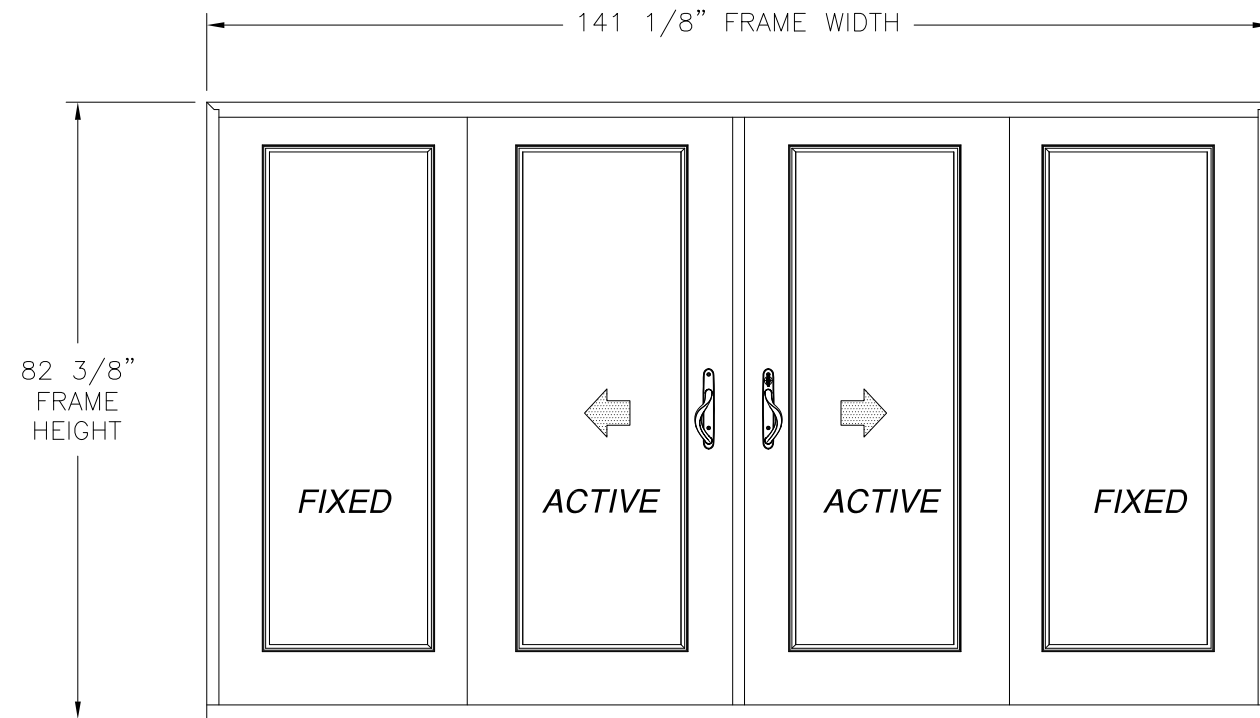
| TABLE OF CONTENTS |                                       |
|-------------------|---------------------------------------|
| SHEET NO.         | DESCRIPTION                           |
| 1                 | NOTES                                 |
| 2                 | ELEVATION & ADDITIONAL CONFIGURATIONS |
| 3                 | ANCHORING LAYOUTS                     |
| 4 - 8             | INSTALLATION DETAILS                  |

|   |                     |              |
|---|---------------------|--------------|
| NAN YA PLASTICS CORP. USA<br>8989 NORTH LOOP EAST<br>HOUSTON, TX 77029                              |                     |              |
| SERIES SPLS GLIDING PATIO DOOR<br>120611 IMPACT<br>NOTES  |                     |              |
| DRAWN:<br>J.L.  | DWG NO.<br>08-01898 | REV<br>C     |
| SCALE NTS   | DATE 01/17/13       | SHEET 1 OF 8 |
| L. ROBERTO LOMAS P.E.<br>1432 WOODFORD RD LEWISVILLE, NC 27023<br>434-688-0609 rllomas@rlomaspe.com |                     |              |



Luis R. Lomas P.E.  
FL No.: 62514

| REVISIONS |                                |            |          |
|-----------|--------------------------------|------------|----------|
| REV       | DESCRIPTION                    | DATE       | APPROVED |
| C         | REVISED TO ADD GLAZING DETAILS | 05/12/2021 | R.L.     |



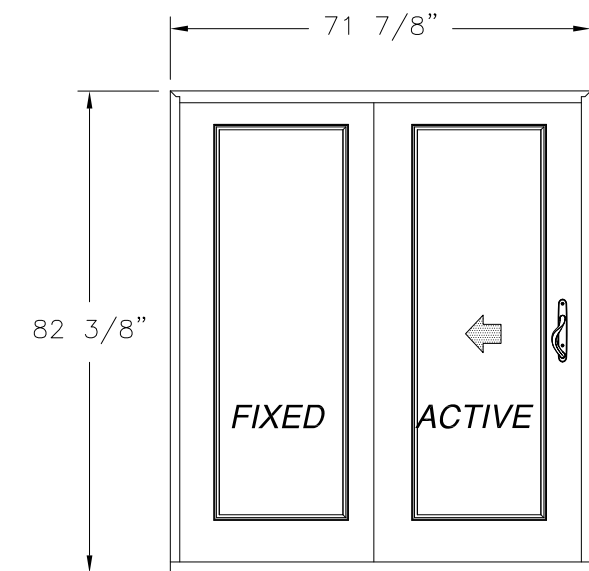
**SERIES SPLS GLIDING PATIO DOOR - 120611**  
EXTERIOR VIEW

| DESIGN PRESSURE RATING | IMPACT RATING        |
|------------------------|----------------------|
| ±50.0PSF               | LARGE MISSILE IMPACT |

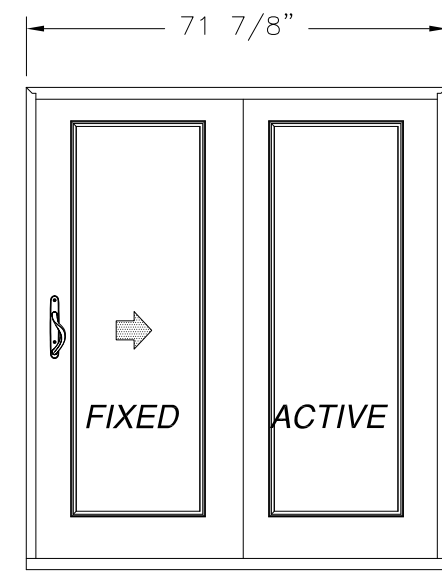
MISSILE LEVEL D, WIND ZONE 4

35 3/4" X 79 1/4" PANELS SHOWN OTHER PANEL SIZES ARE APPROVED AS LONG AS INDIVIDUAL PANEL AREA DOES NOT EXCEED 19.67 FT<sup>2</sup>

- NOTES:**
- PANEL SIZE: 35 3/4" X 79 1/4"
  - D.L.O.: 26 1/4" X 66"



**SINGLE W/SIDELITE**  
EXTERIOR VIEW



**SINGLE W/SIDELITE**  
EXTERIOR VIEW

| HARDWARE SCHEDULE                               |
|---|
| A. ONE POINT LOCKING SYSTEM                     |
| B. (1) DIE CAST HANDLE SET PER ACTIVE PANEL     |
| C. (2) STAINLESS STEEL TANDEM ROLLERS PER PANEL |
| D. PVC ASTRAGAL BY NAN YA PLASTICS              |

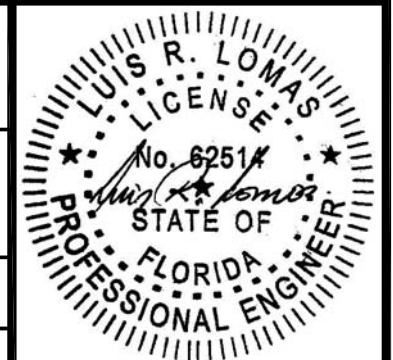
SIGNED: 05/17/2021

NAN YA PLASTICS CORP. USA  
8989 NORTH LOOP EAST  
HOUSTON, TX 77029

SERIES SPLS GLIDING PATIO DOOR  
120611 IMPACT  
ELEVATION & APPROVED CONFIGURATIONS

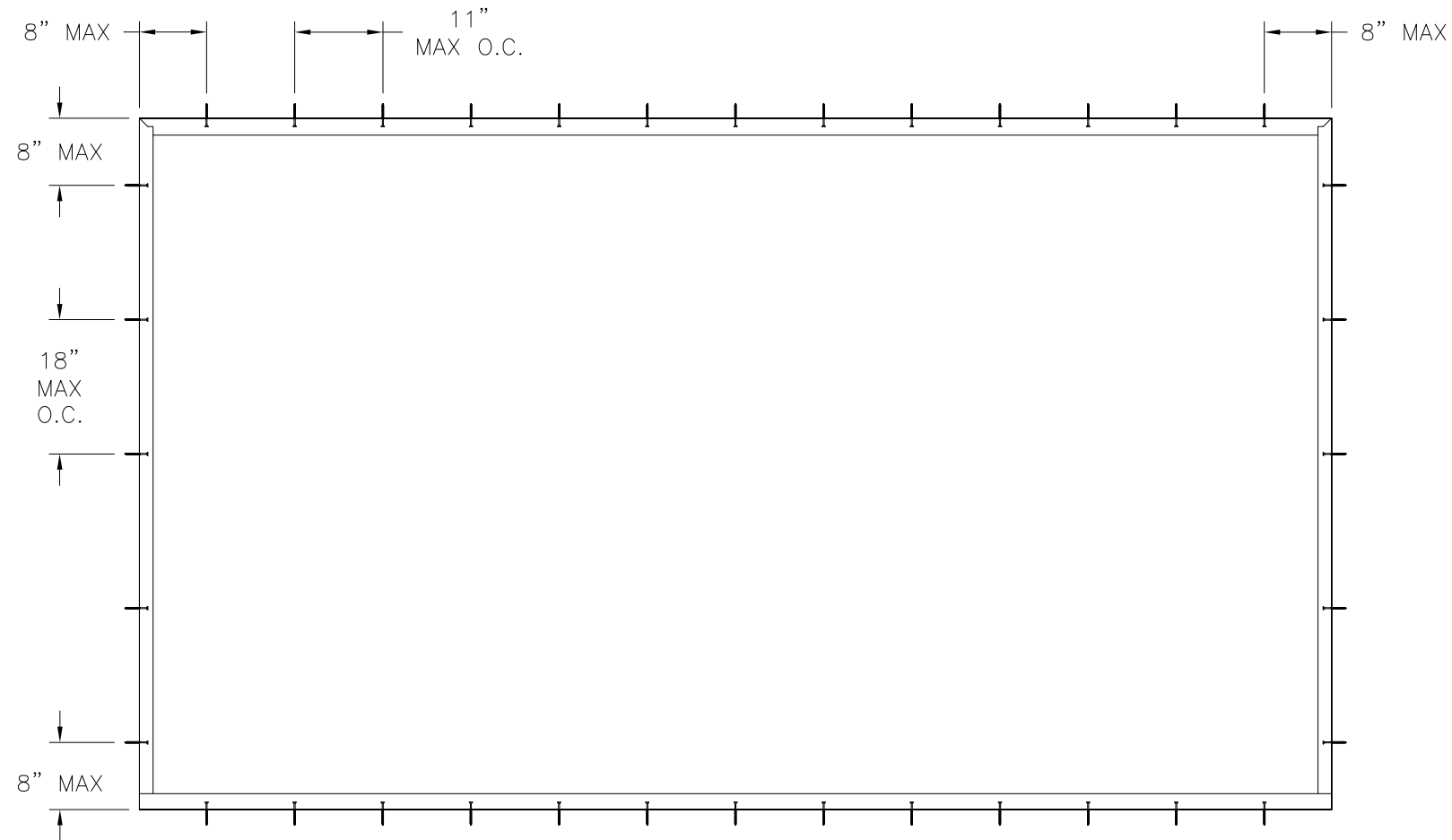
|                |                     |              |
|----------------|---------------------|--------------|
| DRAWN:<br>J.L. | DWG NO.<br>08-01898 | REV<br>C     |
| SCALE NTS      | DATE 01/17/13       | SHEET 2 OF 8 |

L. ROBERTO LOMAS P.E.  
1432 WOODFORD RD LEWISVILLE, NC 27023  
434-688-0609 rllomas@lrlomaspe.com

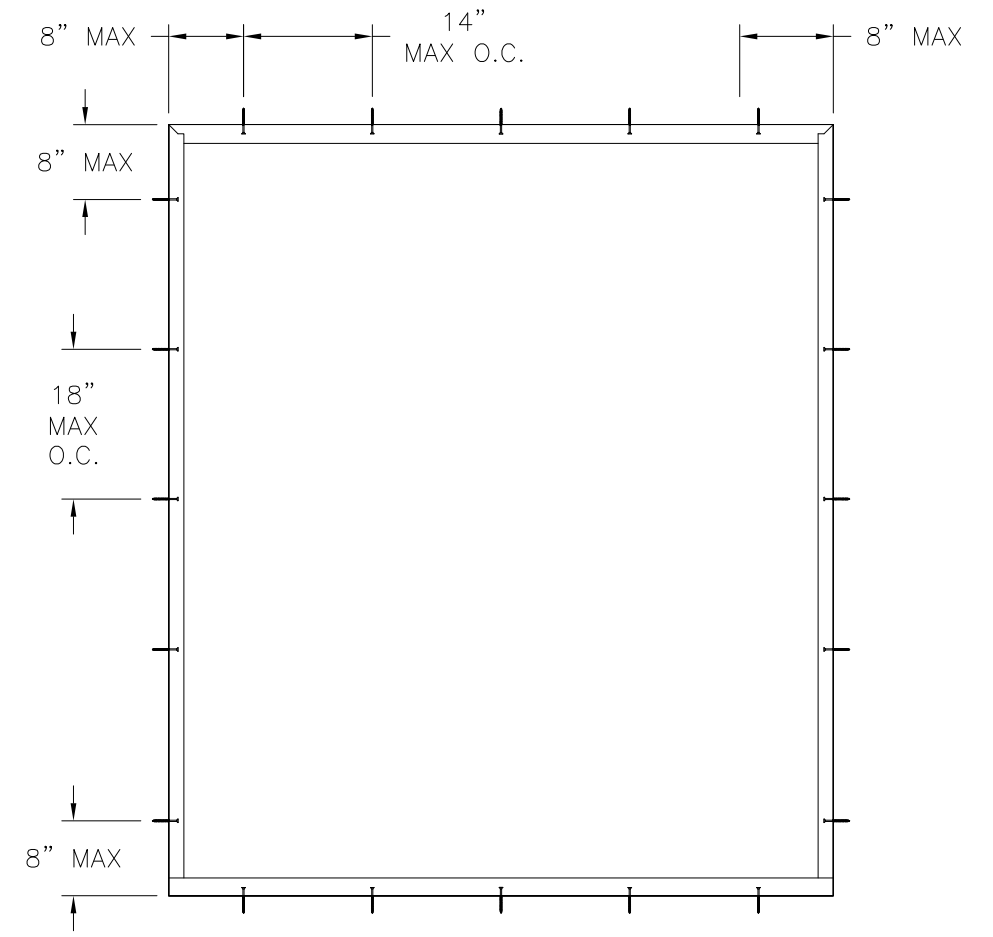


Luis R. Lomas P.E.  
FL No.: 62514

| REVISIONS |                                |            |          |
|-----------|--------------------------------|------------|----------|
| REV       | DESCRIPTION                    | DATE       | APPROVED |
| C         | REVISED TO ADD GLAZING DETAILS | 05/12/2021 | R.L.     |



ANCHORING LAYOUT FOR DOUBLE W/SIDELITES  
EXTERIOR VIEW



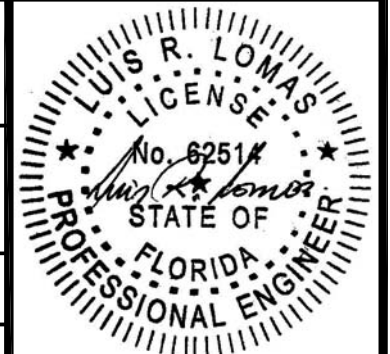
ANCHORING LAYOUT FOR SINGLE W/SIDELITE  
EXTERIOR VIEW

SIGNED: 05/17/2021

NAN YA PLASTICS CORP. USA  
8989 NORTH LOOP EAST  
HOUSTON, TX 77029

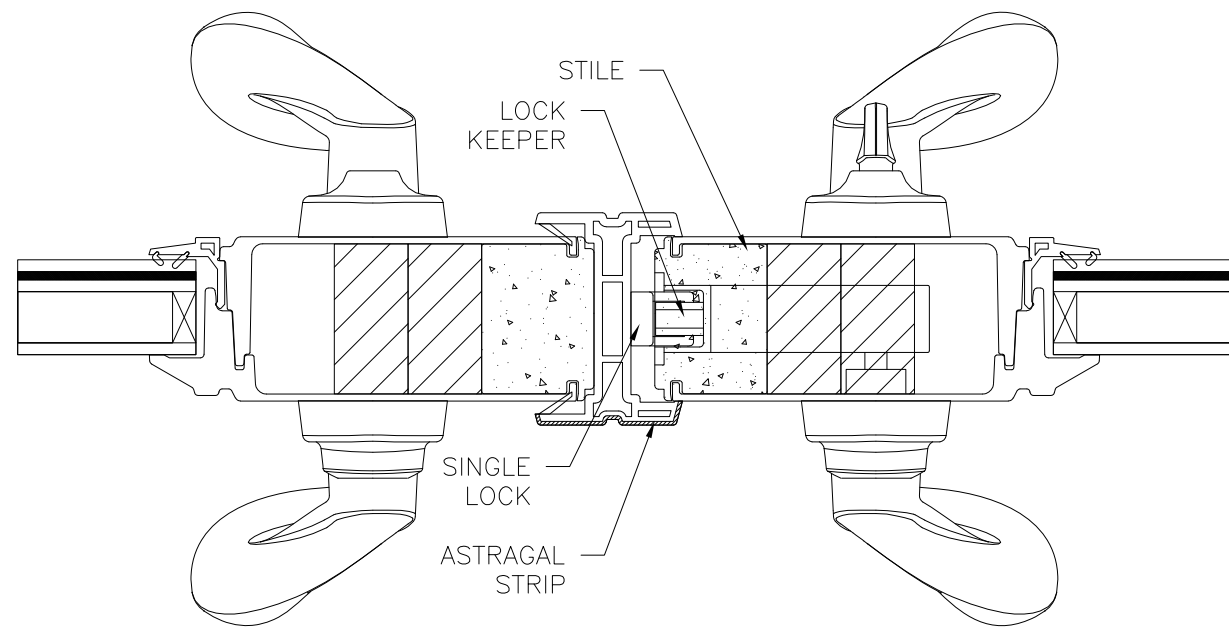
SERIES SPLS GLIDING PATIO DOOR  
120611 IMPACT  
ANCHORING LAYOUTS

|   |                     |              |
|---|---------------------|--------------|
| DRAWN:<br>J.L.  | DWG NO.<br>08-01898 | REV<br>C     |
| SCALE NTS   | DATE 01/17/13       | SHEET 3 OF 8 |
| L. ROBERTO LOMAS P.E.<br>1432 WOODFORD RD LEWISVILLE, NC 27023<br>434-688-0609 rllomas@rlomaspe.com |                     |              |

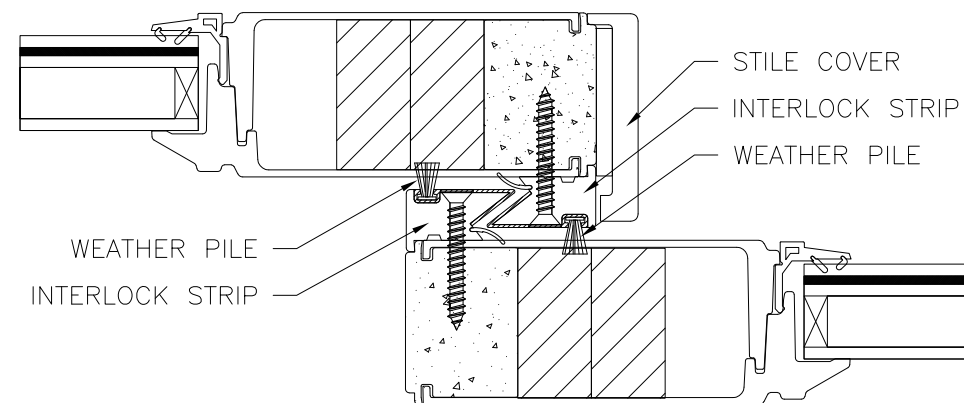


Luis R. Lomas P.E.  
FL No.: 62514

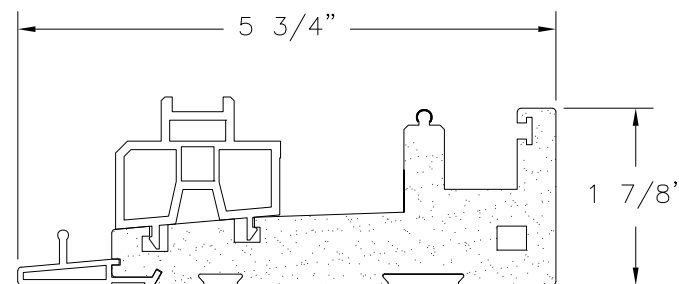
| REVISIONS |                                |            |          |
|-----------|--------------------------------|------------|----------|
| REV       | DESCRIPTION                    | DATE       | APPROVED |
| C         | REVISED TO ADD GLAZING DETAILS | 05/12/2021 | R.L.     |



**ASTRAGAL DETAIL**



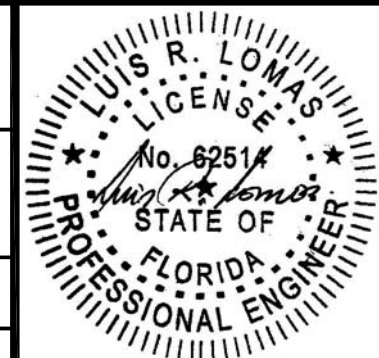
**MEETING RAIL DETAIL**



**DOOR SILL**

SIGNED: 05/17/2021

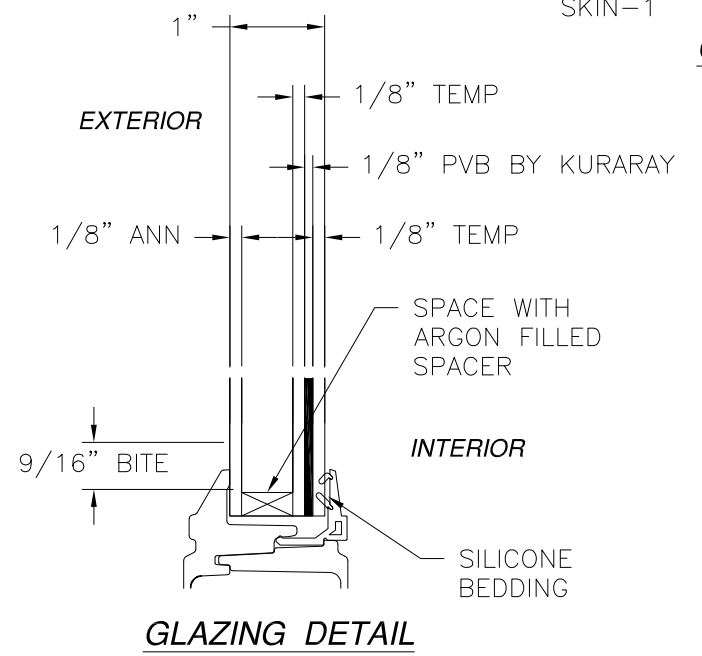
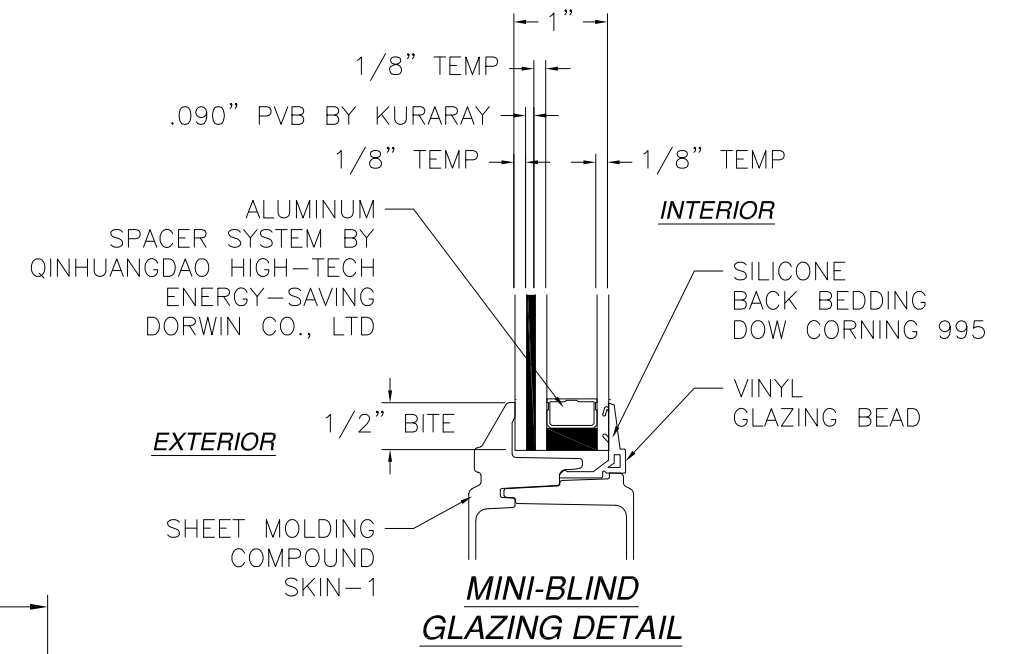
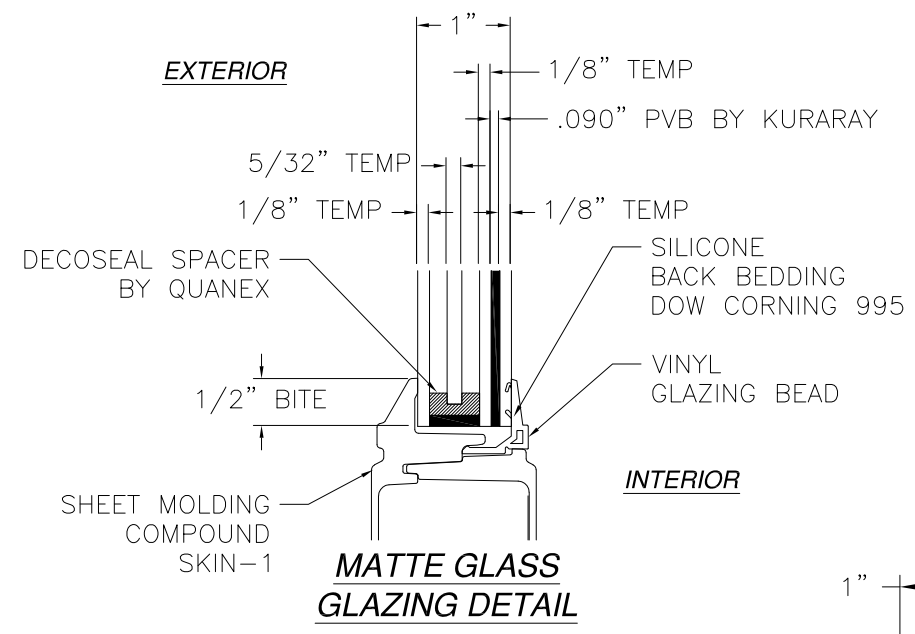
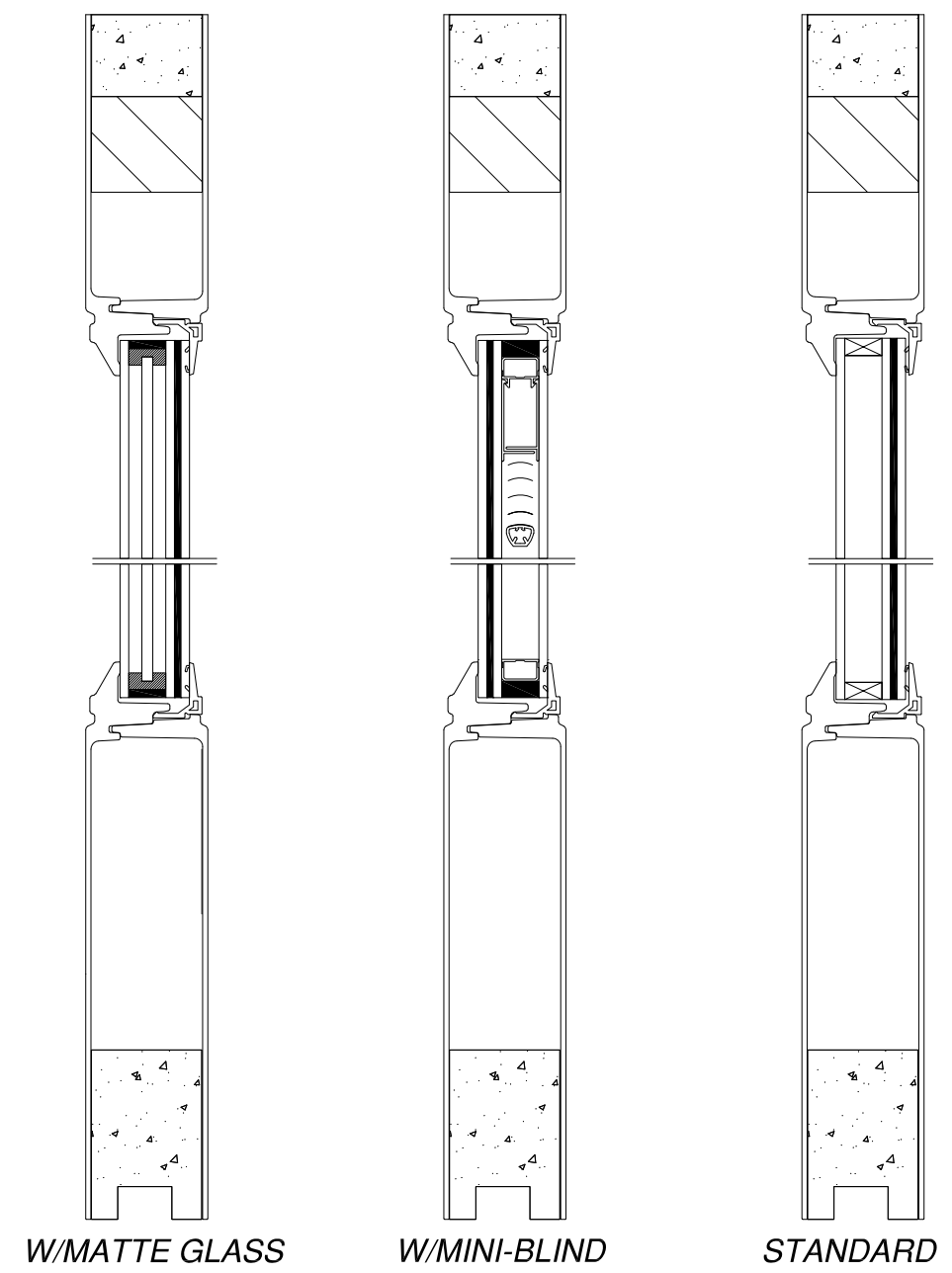
|  |                     |              |
|--|---------------------|--------------|
| NAN YA PLASTICS CORP. USA<br>8989 NORTH LOOP EAST<br>HOUSTON, TX 77029                               |                     |              |
| SERIES SPLS GLIDING PATIO DOOR<br>120611 IMPACT<br>INSTALLATION DETAILS                              |                     |              |
| DRAWN:<br>J.L.   | DWG NO.<br>08-01898 | REV<br>C     |
| SCALE NTS  | DATE 01/17/13       | SHEET 4 OF 8 |
| L. ROBERTO LOMAS P.E.<br>1432 WOODFORD RD LEWISVILLE, NC 27023<br>434-688-0609 rllomas@lrlomaspe.com |                     |              |



Luis R. Lomas P.E.  
FL No.: 62514

| REVISIONS |                                |            |          |
|-----------|--------------------------------|------------|----------|
| REV       | DESCRIPTION                    | DATE       | APPROVED |
| C         | REVISED TO ADD GLAZING DETAILS | 05/12/2021 | R.L.     |

**APPROVED PANEL CONFIGURATIONS**



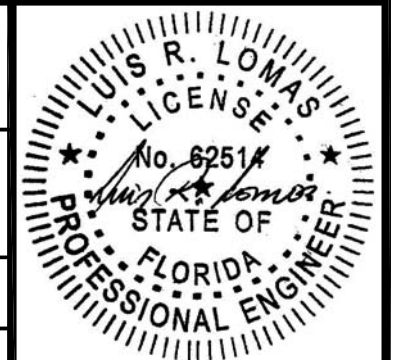
SIGNED: 05/17/2021

NAN YA PLASTICS CORP. USA  
 8989 NORTH LOOP EAST  
 HOUSTON, TX 77029

SERIES SPLS GLIDING PATIO DOOR  
 120611 IMPACT  
 GLAZING DETAILS

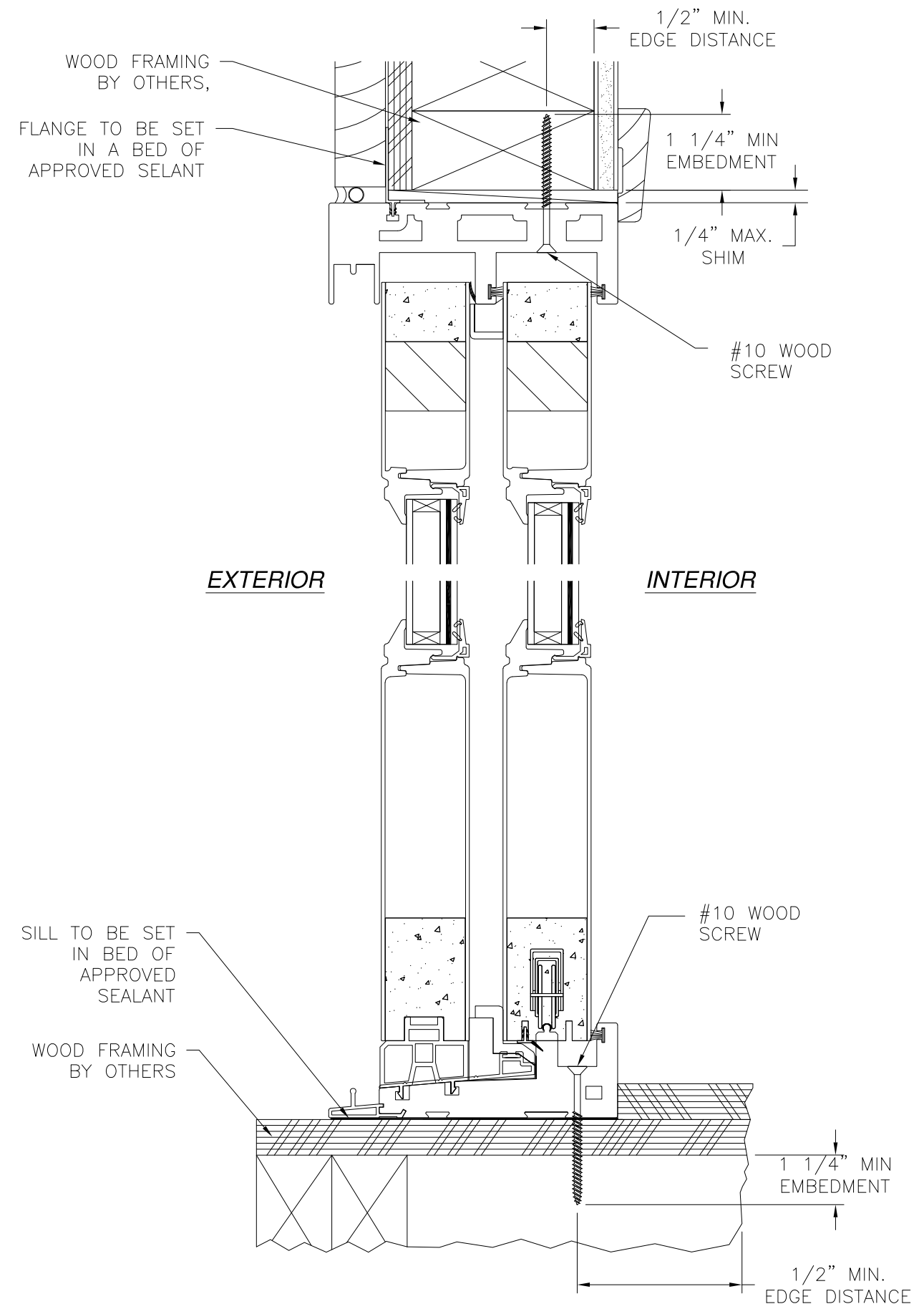
|                |                     |              |
|----------------|---------------------|--------------|
| DRAWN:<br>J.L. | DWG NO.<br>08-01898 | REV<br>C     |
| SCALE NTS      | DATE 01/17/13       | SHEET 5 OF 8 |

L. ROBERTO LOMAS P.E.  
 1432 WOODFORD RD LEWISVILLE, NC 27023  
 434-688-0609 rllomas@lrlomaspe.com

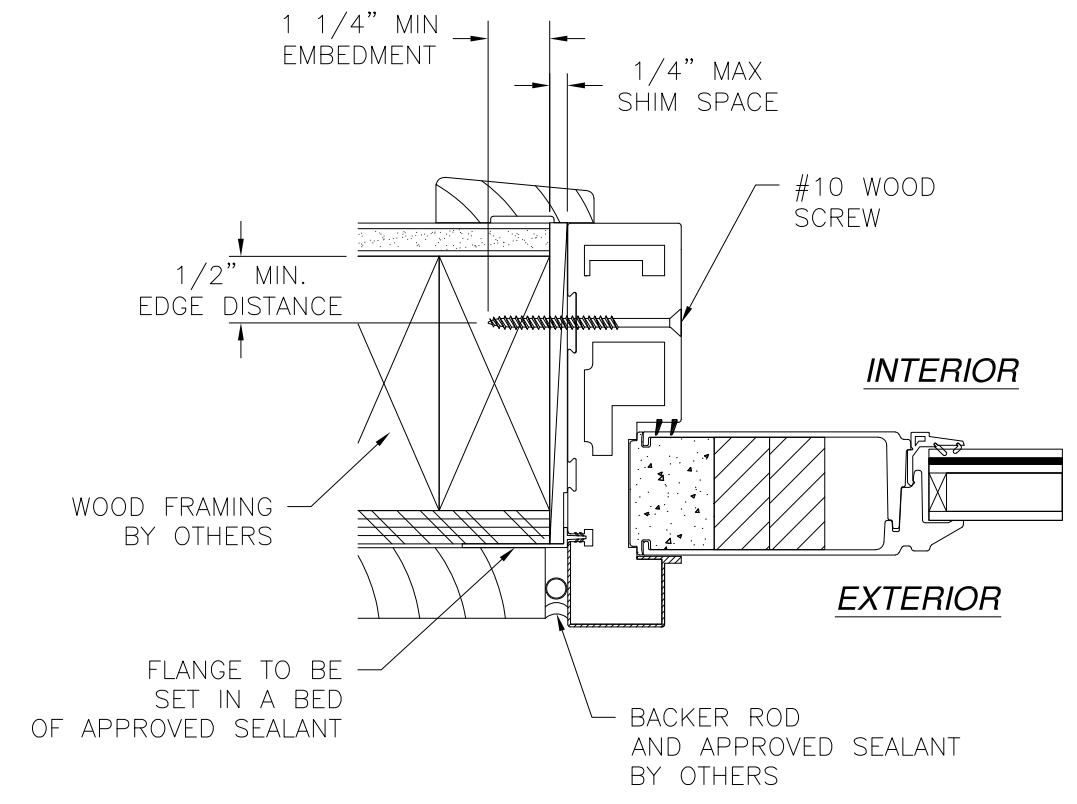


Luis R. Lomas P.E.  
 FL No.: 62514

| REVISIONS |                                |            |          |
|-----------|--------------------------------|------------|----------|
| REV       | DESCRIPTION                    | DATE       | APPROVED |
| C         | REVISED TO ADD GLAZING DETAILS | 05/12/2021 | R.L.     |



**VERTICAL CROSS SECTION**  
 DOOR SHOWN, SIDELITE SIMILAR  
 2X BUCK/WOOD FRAMING INSTALLATION

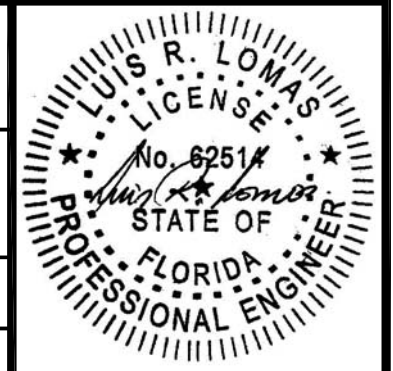


**HORIZONTAL CROSS SECTION**  
 2X BUCK/WOOD FRAMING INSTALLATION

- NOTES:**
1. INTERIOR AND EXTERIOR FINISHES, BY OTHERS, NOT SHOWN FOR CLARITY.
  2. PERIMETER AND JOINT SEALANT BY OTHERS TO BE DESIGNED IN ACCORDANCE WITH ASTM E2112

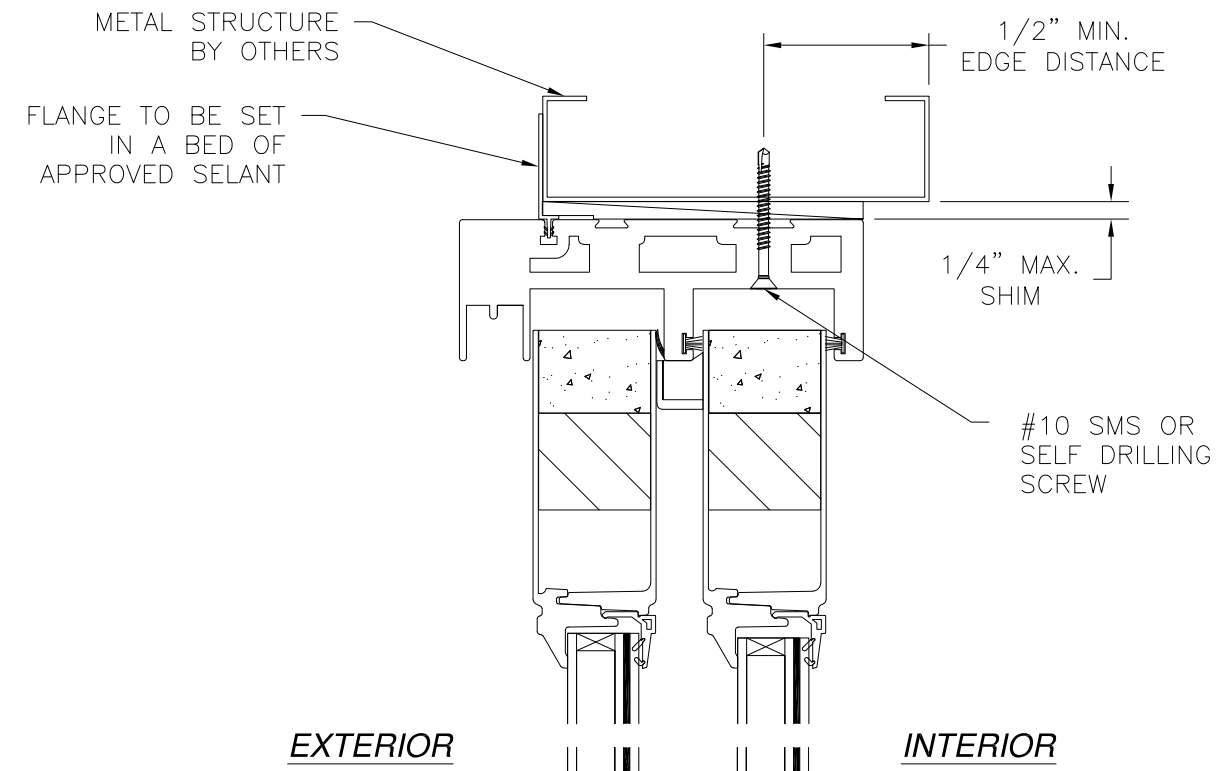
SIGNED: 05/17/2021

|   |                     |                 |
|---|---------------------|-----------------|
| NAN YA PLASTICS CORP. USA<br>8989 NORTH LOOP EAST<br>HOUSTON, TX 77029                              |                     |                 |
| SERIES SPLS GLIDING PATIO DOOR<br>120611 IMPACT<br>INSTALLATION DETAILS                             |                     |                 |
| DRAWN:<br>J.L.  | DWG NO.<br>08-01898 | REV<br>C        |
| SCALE<br>NTS  | DATE<br>01/17/13    | SHEET<br>6 OF 8 |
| L. ROBERTO LOMAS P.E.<br>1432 WOODFORD RD LEWISVILLE, NC 27023<br>434-688-0609 rllomas@rlomaspe.com |                     |                 |

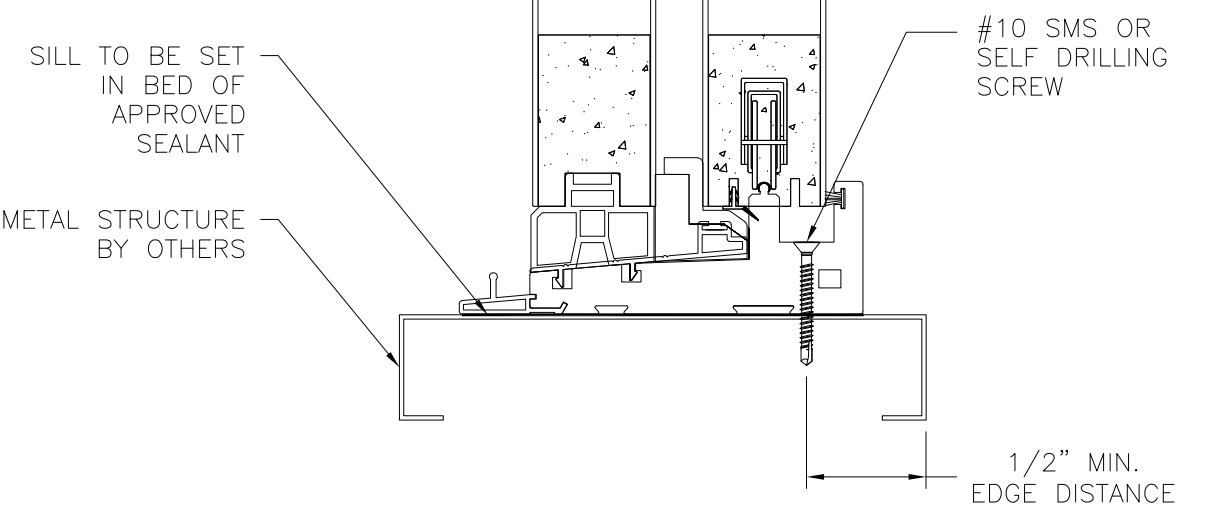


Luis R. Lomas P.E.  
 FL No.: 62514

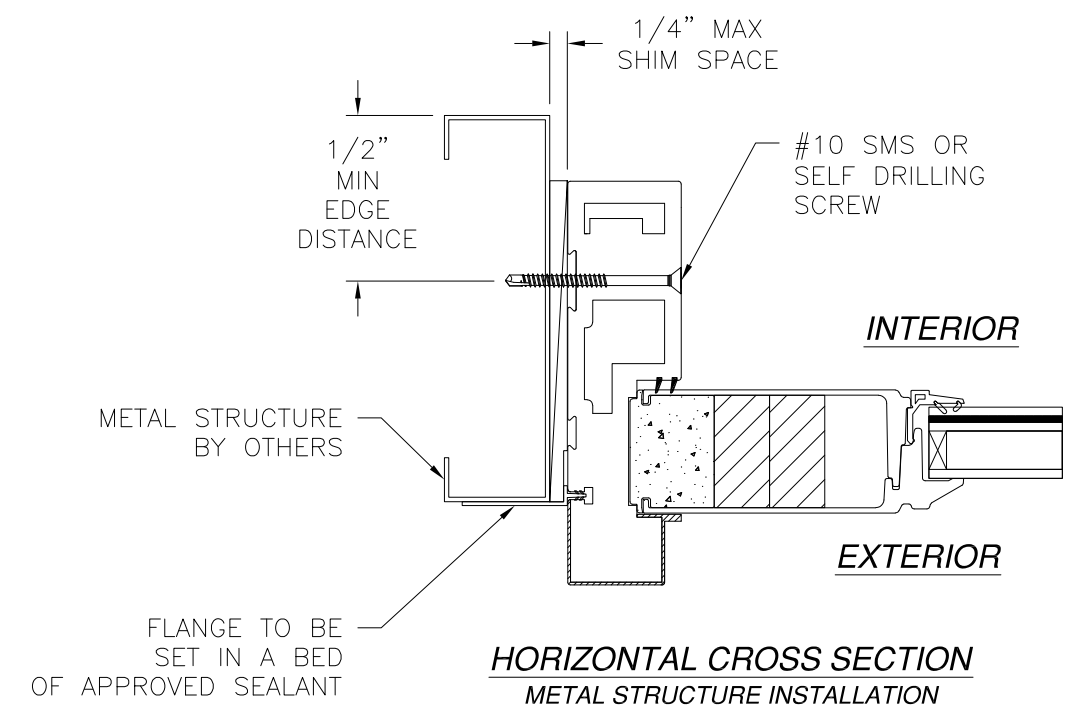
| REVISIONS |                                |            |          |
|-----------|--------------------------------|------------|----------|
| REV       | DESCRIPTION                    | DATE       | APPROVED |
| C         | REVISED TO ADD GLAZING DETAILS | 05/12/2021 | R.L.     |



**EXTERIOR**                      **INTERIOR**



**VERTICAL CROSS SECTION**  
DOOR SHOWN, SIDELITE SIMILAR  
METAL STRUCTURE INSTALLATION



**HORIZONTAL CROSS SECTION**  
METAL STRUCTURE INSTALLATION

- NOTES:**
1. INTERIOR AND EXTERIOR FINISHES, BY OTHERS, NOT SHOWN FOR CLARITY.
  2. PERIMETER AND JOINT SEALANT BY OTHERS TO BE DESIGNED IN ACCORDANCE WITH ASTM E2112

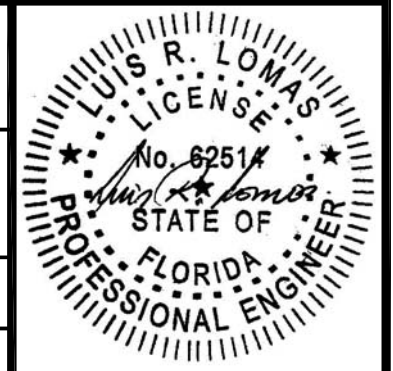
SIGNED: 05/17/2021

NAN YA PLASTICS CORP. USA  
8989 NORTH LOOP EAST  
HOUSTON, TX 77029

SERIES SPLS GLIDING PATIO DOOR  
120611 IMPACT  
INSTALLATION DETAILS

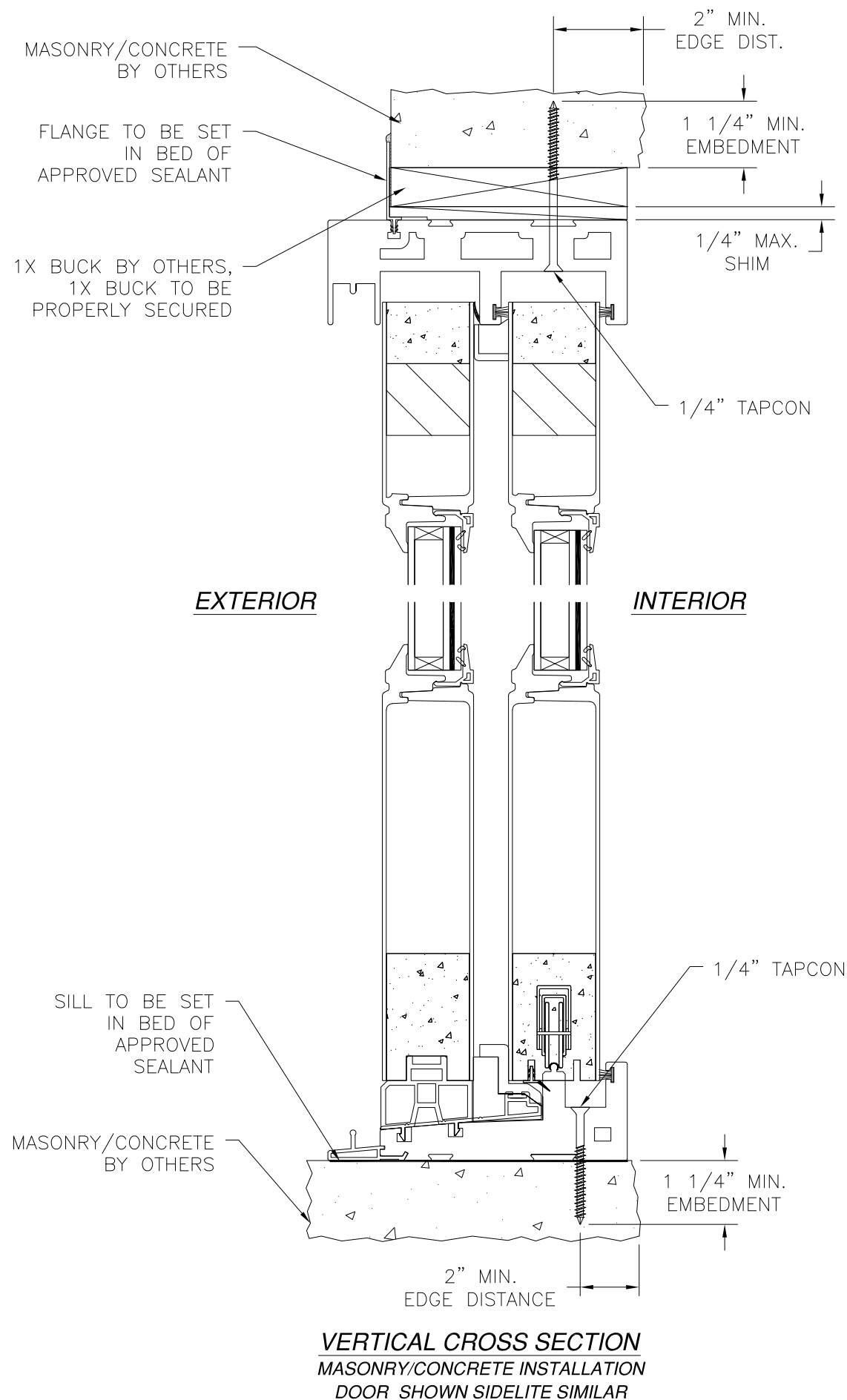
|                |                     |              |
|----------------|---------------------|--------------|
| DRAWN:<br>J.L. | DWG NO.<br>08-01898 | REV<br>C     |
| SCALE NTS      | DATE 01/17/13       | SHEET 7 OF 8 |

L. ROBERTO LOMAS P.E.  
1432 WOODFORD RD LEWISVILLE, NC 27023  
434-688-0609 rllomas@lrlomaspe.com

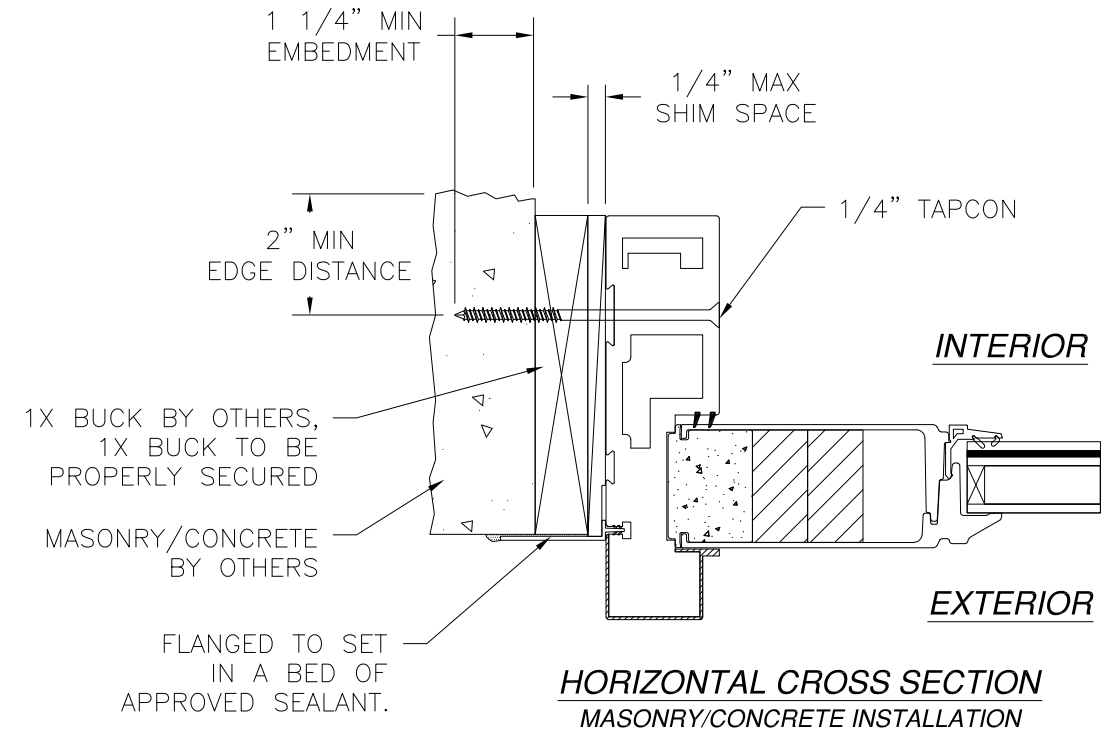


Luis R. Lomas P.E.  
FL No.: 62514

| REVISIONS |                                |            |          |
|-----------|--------------------------------|------------|----------|
| REV       | DESCRIPTION                    | DATE       | APPROVED |
| C         | REVISED TO ADD GLAZING DETAILS | 05/12/2021 | R.L.     |



**VERTICAL CROSS SECTION**  
**MASONRY/CONCRETE INSTALLATION**  
**DOOR SHOWN SIDELITE SIMILAR**

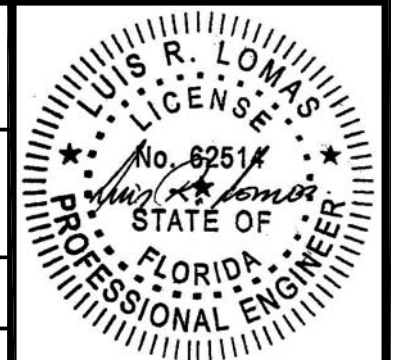


**HORIZONTAL CROSS SECTION**  
**MASONRY/CONCRETE INSTALLATION**

- NOTES:**
1. INTERIOR AND EXTERIOR FINISHES, BY OTHERS, NOT SHOWN FOR CLARITY.
  2. PERIMETER AND JOINT SEALANT BY OTHERS TO BE DESIGNED IN ACCORDANCE WITH ASTM E2112

SIGNED: 05/17/2021

|  |                             |                     |
|--|-----------------------------|---------------------|
| <p>NAN YA PLASTICS CORP. USA<br/>         8989 NORTH LOOP EAST<br/>         HOUSTON, TX 77029</p>                              |                             |                     |
| <p>SERIES SPLS GLIDING PATIO DOOR<br/>         120611 IMPACT<br/>         INSTALLATION DETAILS</p>                             |                             |                     |
| <p>DRAWN:<br/>J.L.</p>   | <p>DWG NO.<br/>08-01898</p> | <p>REV<br/>C</p>    |
| <p>SCALE NTS</p>   | <p>DATE 01/17/13</p>        | <p>SHEET 8 OF 8</p> |
| <p>L. ROBERTO LOMAS P.E.<br/>         1432 WOODFORD RD LEWISVILLE, NC 27023<br/>         434-688-0609 rllomas@rlomaspe.com</p> |                             |                     |



Luis R. Lomas P.E.  
 FL No.: 62514