

| REVISIONS | | | |
|-----------|--------------------------------|------------|----------|
| REV | DESCRIPTION | DATE | APPROVED |
| C | REVISED TO ADD GLAZING DETAILS | 05/12/2021 | R.L. |

NOTES:

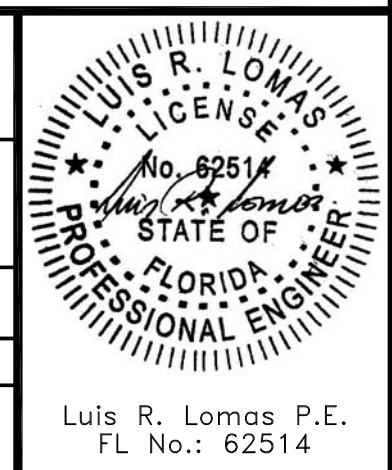
- THE PRODUCT SHOWN HEREIN IS DESIGNED AND MANUFACTURED TO COMPLY WITH REQUIREMENTS OF THE FLORIDA BUILDING CODE.
- WOOD FRAMING AND MASONRY OPENING TO BE DESIGNED AND ANCHORED TO PROPERLY TRANSFER ALL LOADS TO STRUCTURE. FRAMING AND MASONRY OPENING IS THE RESPONSIBILITY OF THE ARCHITECT OR ENGINEER OF RECORD.
- 1X BUCK OVER MASONRY/CONCRETE IS OPTIONAL.
- WHERE SHIM OR BUCK THICKNESS IS LESS THAN 1-1/2" UNITS MUST BE ANCHORED THROUGH THE FRAME IN ACCORDANCE WITH MANUFACTURER'S PUBLISHED INSTALLATION INSTRUCTIONS. ANCHORS SHALL BE SECURELY FASTENED DIRECTLY INTO MASONRY, CONCRETE OR OTHER STRUCTURAL SUBSTRATE MATERIAL.
- WHERE WOOD BUCK THICKNESS IS 1-1/2" OR GREATER, BUCK SHALL BE SECURELY FASTENED TO MASONRY, CONCRETE OR OTHER STRUCTURAL SUBSTRATE. UNITS MAY BE ANCHORED THROUGH FRAME TO SECURED WOOD BUCK IN ACCORDANCE WITH MANUFACTURER'S PUBLISHED INSTALLATION INSTRUCTIONS.
- WHERE 1X BUCK IS NOT USED DISSIMILAR MATERIALS MUST BE SEPARATED WITH APPROVED COATING OR MEMBRANE. SELECTION OF COATING OR MEMBRANE IS THE RESPONSIBILITY OF THE ARCHITECT OR ENGINEER OF RECORD.
- BUCKS SHALL EXTEND BEYOND UNIT FRAME INTERIOR FACE SO THAT FULL FRAME SUPPORT IS PROVIDED.
- SHIM AS REQUIRED AT EACH ANCHOR LOCATION WITH LOAD BEARING SHIM. SHIM WHERE SPACE OF 1/16" OR GREATER OCCURS. MAXIMUM ALLOWABLE SHIM STACK TO BE 1/4".
- SHIMS SHALL BE LOCATED, APPLIED AND MADE FROM MATERIALS AND THICKNESS CAPABLE OF SUSTAINING APPLICABLE LOADS.
- WIND LOAD DURATION FACTOR Cd=1.6 WAS USED FOR WOOD ANCHOR CALCULATIONS.
- FRAME JAMB AND HEAD MATERIAL: CO-EXTRUDED PVC FOAM 1 1/2" THICK.
- FRAME SILL MATERIAL: CO-EXTRUDED PVC FOAM 2" THICK WITH ALUMINUM CLADDING .063" THICK.
- DOOR PANEL AND SIDELITE MATERIAL: .075" THICK FIBERGLASS SKIN WITH PVC FOAM TOP AND BOTTOM RAILS, AND PVC FOAM VERTICAL STILES WITH PINE REINFORCEMENTS AND POLYURETHANE FOAM CORE.
- UNITS MUST BE GLAZED PER ASTM E1300, SEE SHEET 5 FOR GLASS DETAILS.
- APPROVED IMPACT PROTECTIVE SYSTEM IS REQUIRED FOR THIS PRODUCT IN WIND BORNE DEBRIS REGIONS.

- FOR ANCHORING INTO WOOD FRAMING OR 2X BUCK USE #10 WOOD SCREWS WITH SUFFICIENT LENGTH TO ACHIEVE A 1 1/4" MINIMUM EMBEDMENT INTO SUBSTRATE. LOCATE ANCHORS AS SHOWN IN ELEVATIONS AND INSTALLATION DETAILS.
- FOR ANCHORING INTO MASONRY/CONCRETE USE 1/4" TAPCONS WITH SUFFICIENT LENGTH TO ACHIEVE A 1 1/4" MINIMUM EMBEDMENT INTO SUBSTRATE WITH 2" MINIMUM EDGE DISTANCE. LOCATE ANCHORS AS SHOWN IN ELEVATIONS AND INSTALLATION DETAILS.
- FOR ANCHORING INTO METAL STRUCTURE USE #10 SMS OR SELF DRILLING SCREWS WITH SUFFICIENT LENGTH TO ACHIEVE 3 THREADS MINIMUM BEYOND STRUCTURE INTERIOR WALL. LOCATE ANCHORS AS SHOWN IN ELEVATIONS AND INSTALLATION DETAILS.
- ALL FASTENERS TO BE CORROSION RESISTANT.
- INSTALLATION ANCHORS SHALL BE INSTALLED IN ACCORDANCE WITH ANCHOR MANUFACTURER'S INSTALLATION INSTRUCTIONS AND ANCHORS SHALL NOT BE USED IN SUBSTRATES WITH STRENGTHS LESS THAN THE MINIMUM STRENGTH SPECIFIED BELOW:
 - WOOD: MINIMUM SPECIFIC GRAVITY OF G=0.42
 - CONCRETE: MINIMUM COMPRESSIVE STRENGTH OF 2,000 PSI.
 - MASONRY: HOLLOW/FILLED BLOCK PER ASTM C90 WITH Fm=2,000PSI MINIMUM.
 - METAL STRUCTURE: STEEL 18GA (.048") FY=33KSI/FU=52KSI OR ALUMINUM 6063-T5 FU=30KSI .125" THICK MINIMUM
- APPROVED CONFIGURATIONS: OX, XO AND OXXO. SEE SHEET 3.

SIGNED: 05/17/2021

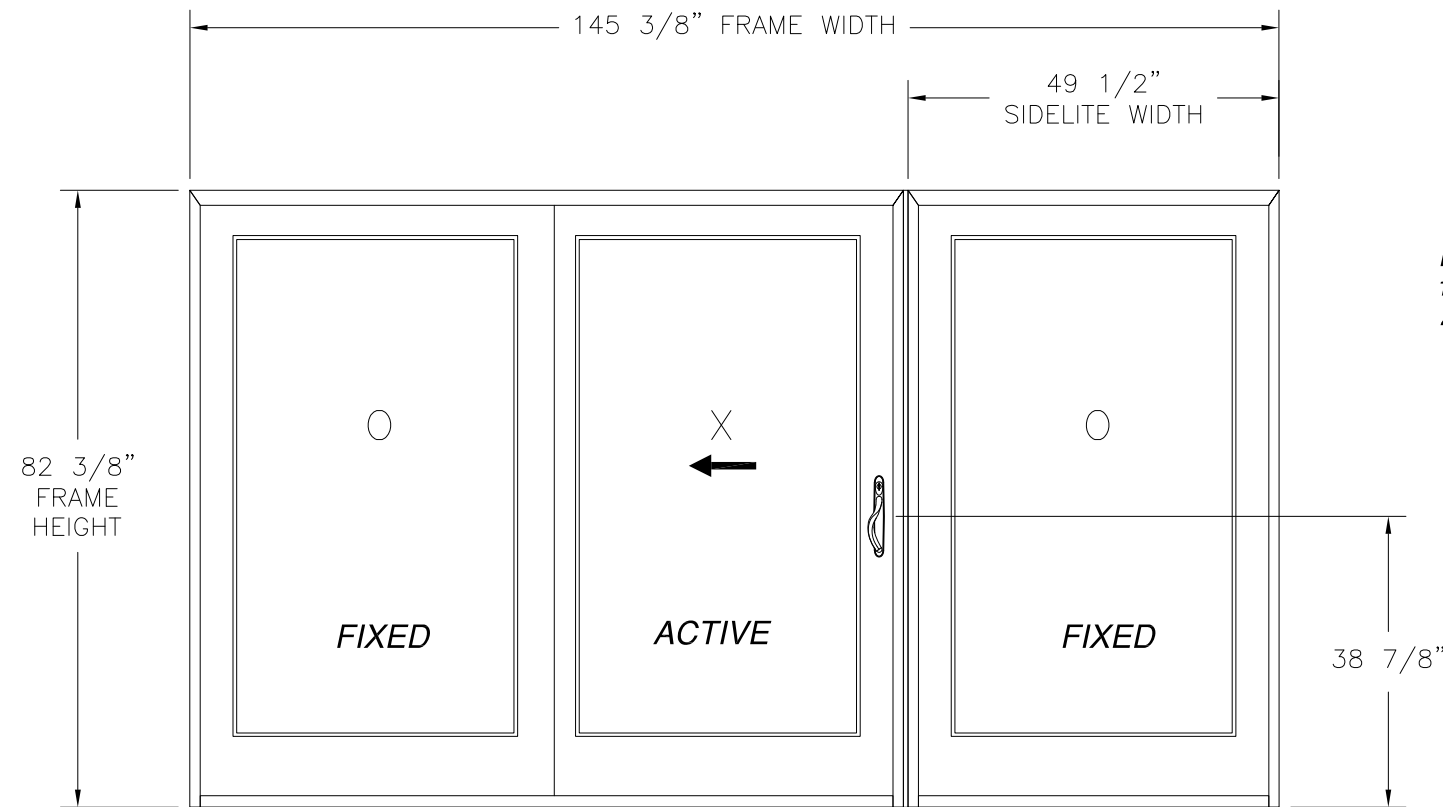
| TABLE OF CONTENTS | |
|-------------------|------------------------------------------|
| SHEET NO. | DESCRIPTION |
| 1 | NOTES |
| 2 | ELEVATION |
| 3 | APPROVED CONFIGURATIONS & ANCHOR LAYOUTS |
| 4 - 8 | INSTALLATION DETAILS |

| | | |
|-----------------------------------------------------------------------------------------------------|---------------------|--------------|
| NAN YA PLASTICS CORP. USA 8989 NORTH LOOP EAST HOUSTON, TX 77029 | | |
| SERIES SRS GLIDING PATIO DOOR W/FIELD MULLION 120611 NON-IMPACT NOTES | | |
| DRAWN: J.L. | DWG NO. 08-01899 | REV C |
| SCALE NTS | DATE 01/17/13 | SHEET 1 OF 8 |
| L. ROBERTO LOMAS P.E. 1432 WOODFORD RD LEWISVILLE, NC 27023 434-688-0609 rllomas@rlomaspe.com | | |



Luis R. Lomas P.E.
FL No.: 62514

| REVISIONS | | | |
|-----------|--------------------------------|------------|----------|
| REV | DESCRIPTION | DATE | APPROVED |
| C | REVISED TO ADD GLAZING DETAILS | 05/12/2021 | R.L. |



- NOTES:
 1. PANEL SIZE: 47 3/4" X 79 1/4"
 2. D.L.O.: 37" X 66"

SERIES SRS GLIDING PATIO DOOR W/FIELD MULLION - 120611 NON-IMPACT
 EXTERIOR VIEW

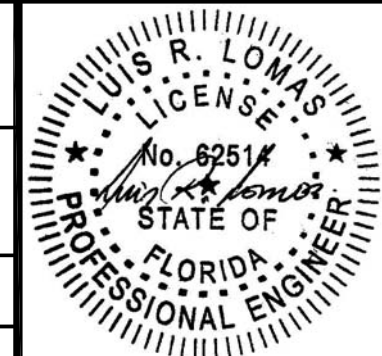
| DESIGN PRESSURE RATING | IMPACT RATING |
|------------------------|---------------|
| ±50.0PSF | NONE |

47 3/4" X 79 1/4" PANELS SHOWN OTHER PANEL SIZES ARE APPROVED AS LONG AS INDIVIDUAL PANEL AREA DOES NOT EXCEED 26.27 FT²

SIGNED: 05/17/2021

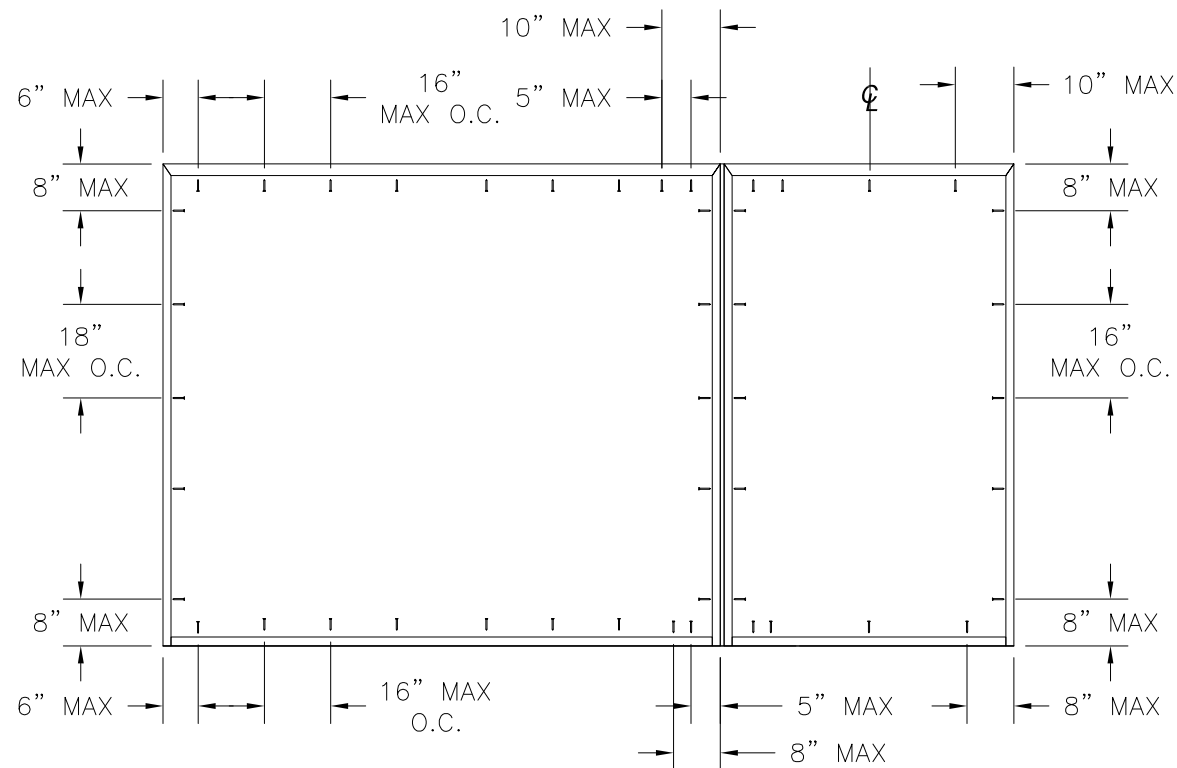
| HARDWARE SCHEDULE |
|----------------------------------------------------|
| A. SINGLE POINT LOCKING SYSTEM |
| B. (1) DIE CAST HANDLE SET |
| C. (2) STAINLESS STEEL TANDEM ROLLERS |
| D. ALUMINUM & PVC FOAM ASTRAGAL BY NAN YA PLASTICS |
| E. ALUMINUM & PVC FOAM MULLION BY NAN YA PLASTICS |

| | | |
|------------------------------------------------------------------------------------------------------|---------------------|--------------|
| NAN YA PLASTICS CORP. USA 8989 NORTH LOOP EAST HOUSTON, TX 77029 | | |
| SERIES SRS GLIDING PATIO DOOR W/FIELD MULLION 120611 NON-IMPACT ELEVATION | | |
| DRAWN: J.L. | DWG NO. 08-01899 | REV C |
| SCALE NTS | DATE 01/17/13 | SHEET 2 OF 8 |
| L. ROBERTO LOMAS P.E. 1432 WOODFORD RD LEWISVILLE, NC 27023 434-688-0609 rllomas@lrlomaspe.com | | |

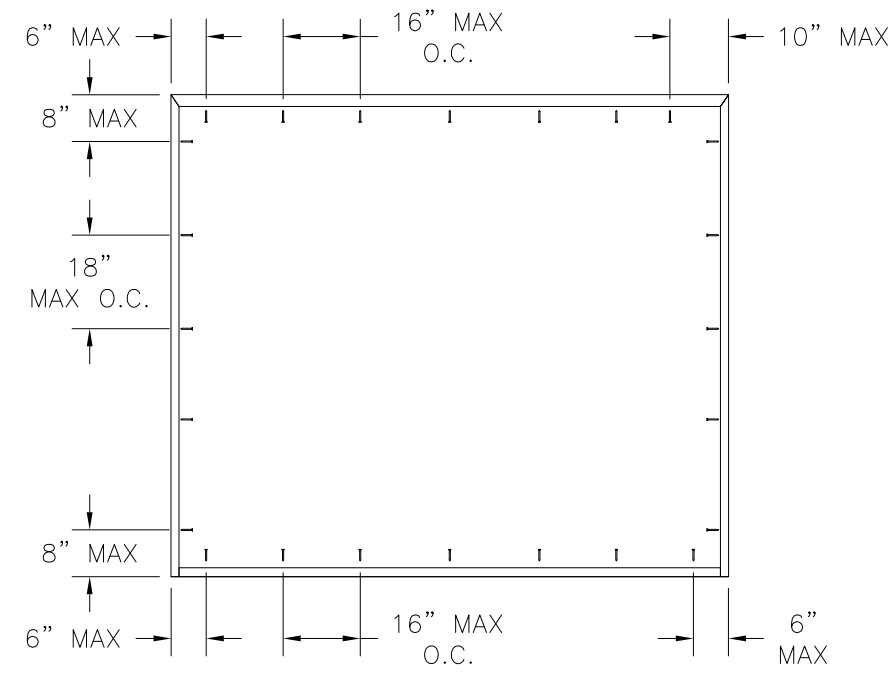


Luis R. Lomas P.E.
 FL No.: 62514

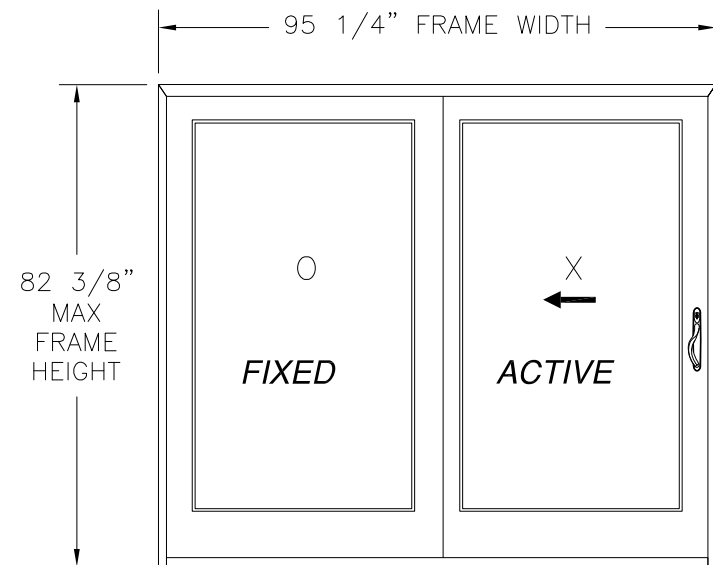
| REVISIONS | | | |
|-----------|--------------------------------|------------|----------|
| REV | DESCRIPTION | DATE | APPROVED |
| C | REVISED TO ADD GLAZING DETAILS | 05/12/2021 | R.L. |



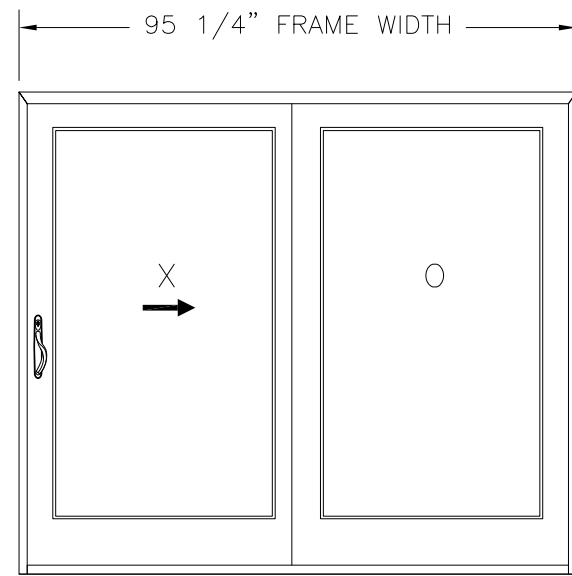
SINGLE W/SIDELITES (MULL)
EXTERIOR VIEW



SINGLE W/SIDELITE
EXTERIOR VIEW



SINGLE W/SIDELITE
EXTERIOR VIEW



SINGLE W/SIDELITE
EXTERIOR VIEW

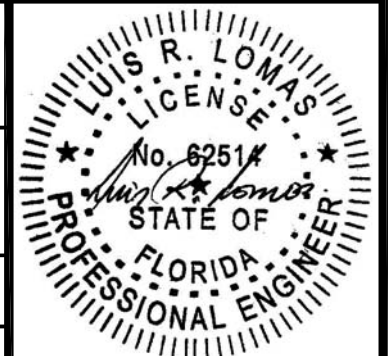
NAN YA PLASTICS CORP. USA
8989 NORTH LOOP EAST
HOUSTON, TX 77029

SERIES SRS GLIDING PATIO DOOR W/FIELD MULLION
120611 NON-IMPACT
ADDITIONAL CONFIGURATIONS AND ANCHOR LAYOUTS

| | | |
|----------------|---------------------|--------------|
| DRAWN: J.L. | DWG NO. 08-01899 | REV C |
| SCALE NTS | DATE 01/17/13 | SHEET 3 OF 8 |

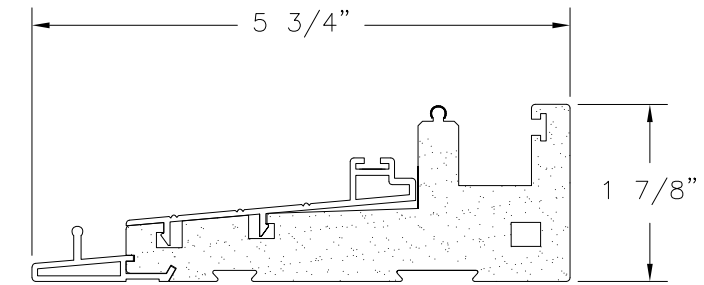
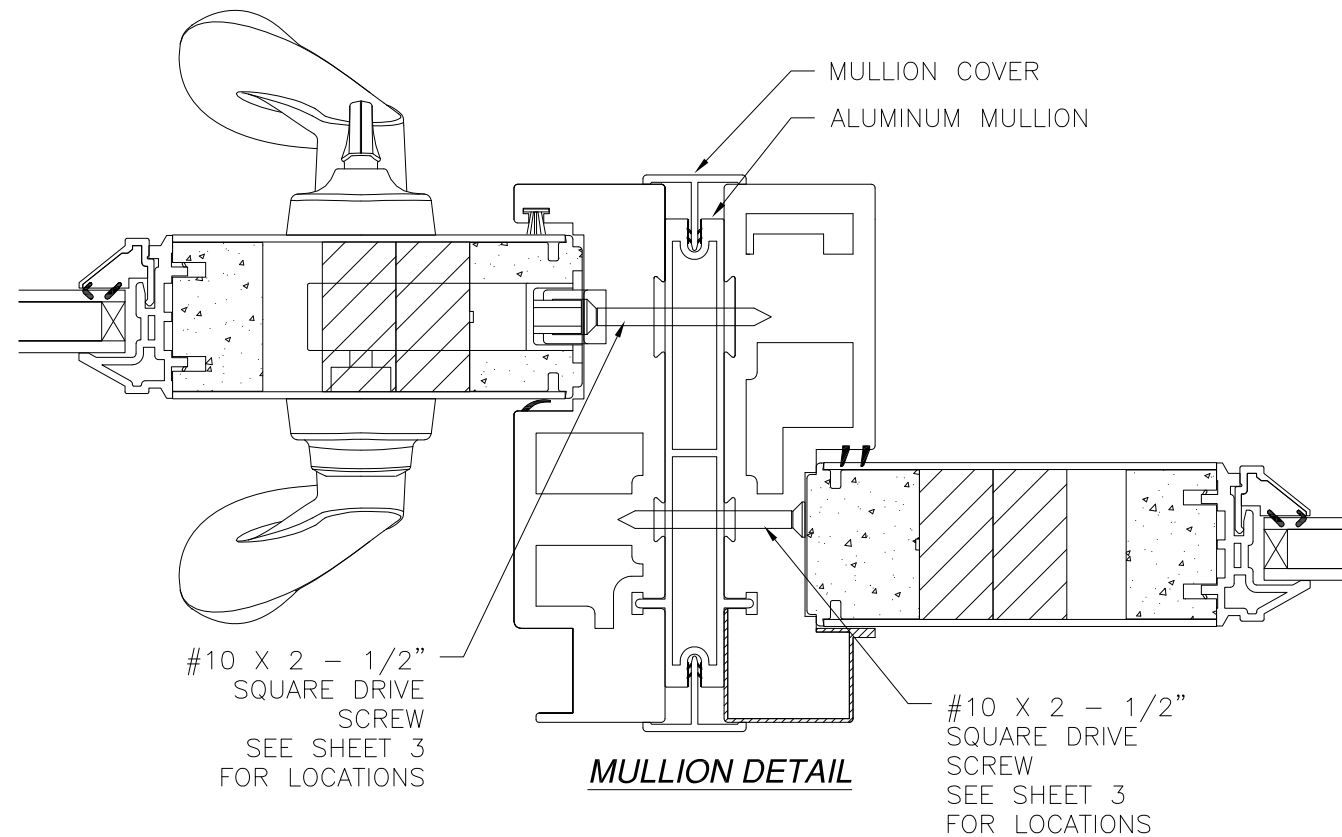
L. ROBERTO LOMAS P.E.
1432 WOODFORD RD LEWISVILLE, NC 27023
434-688-0609 rllomas@lrlomaspe.com

SIGNED: 05/17/2021

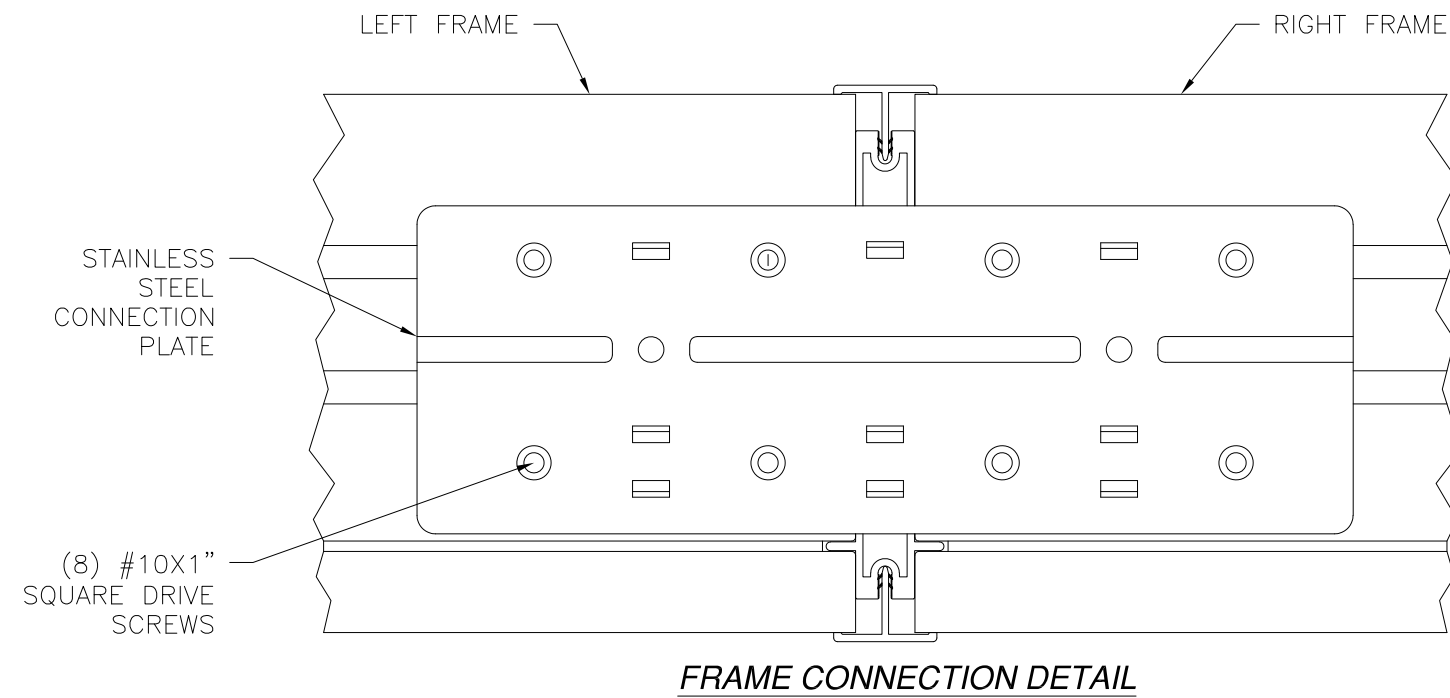


Luis R. Lomas P.E.
FL No.: 62514

| REVISIONS | | | |
|-----------|--------------------------------|------------|----------|
| REV | DESCRIPTION | DATE | APPROVED |
| C | REVISED TO ADD GLAZING DETAILS | 05/12/2021 | R.L. |



DOOR SILL



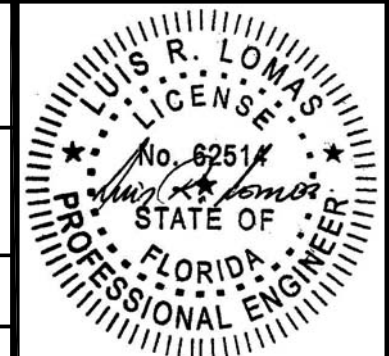
SIGNED: 05/17/2021

NAN YA PLASTICS CORP. USA
8989 NORTH LOOP EAST
HOUSTON, TX 77029

SERIES SRS GLIDING PATIO DOOR W/FIELD MULLION
120611 NON-IMPACT
INSTALLATION DETAILS

| | | |
|----------------|---------------------|--------------|
| DRAWN: J.L. | DWG NO. 08-01899 | REV C |
| SCALE NTS | DATE 01/17/13 | SHEET 4 OF 8 |

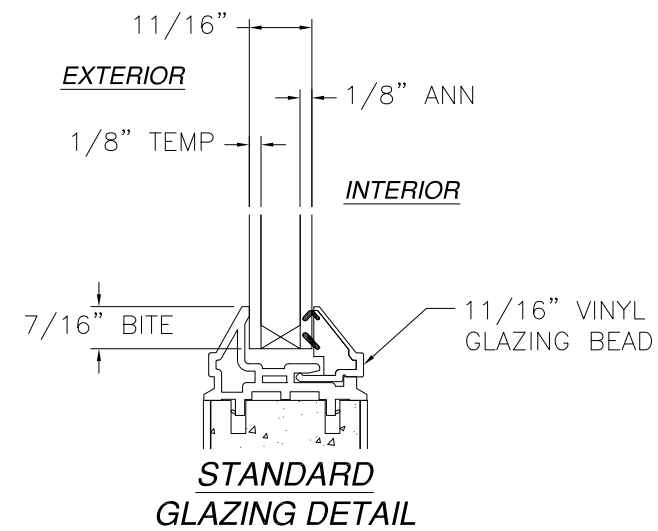
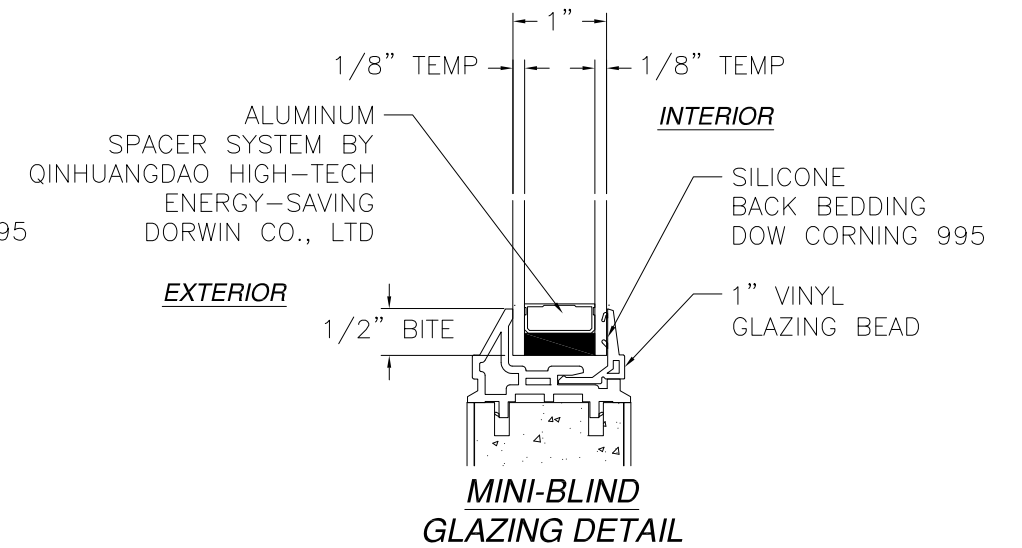
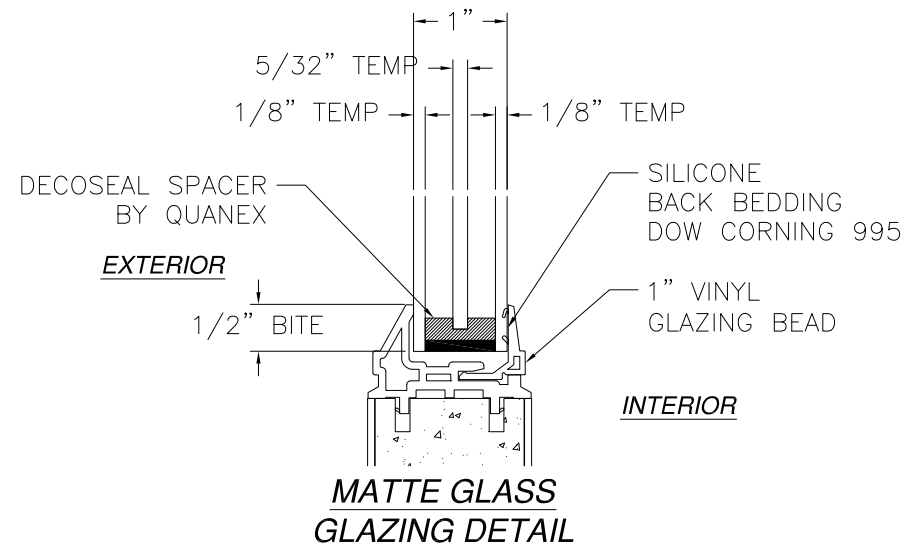
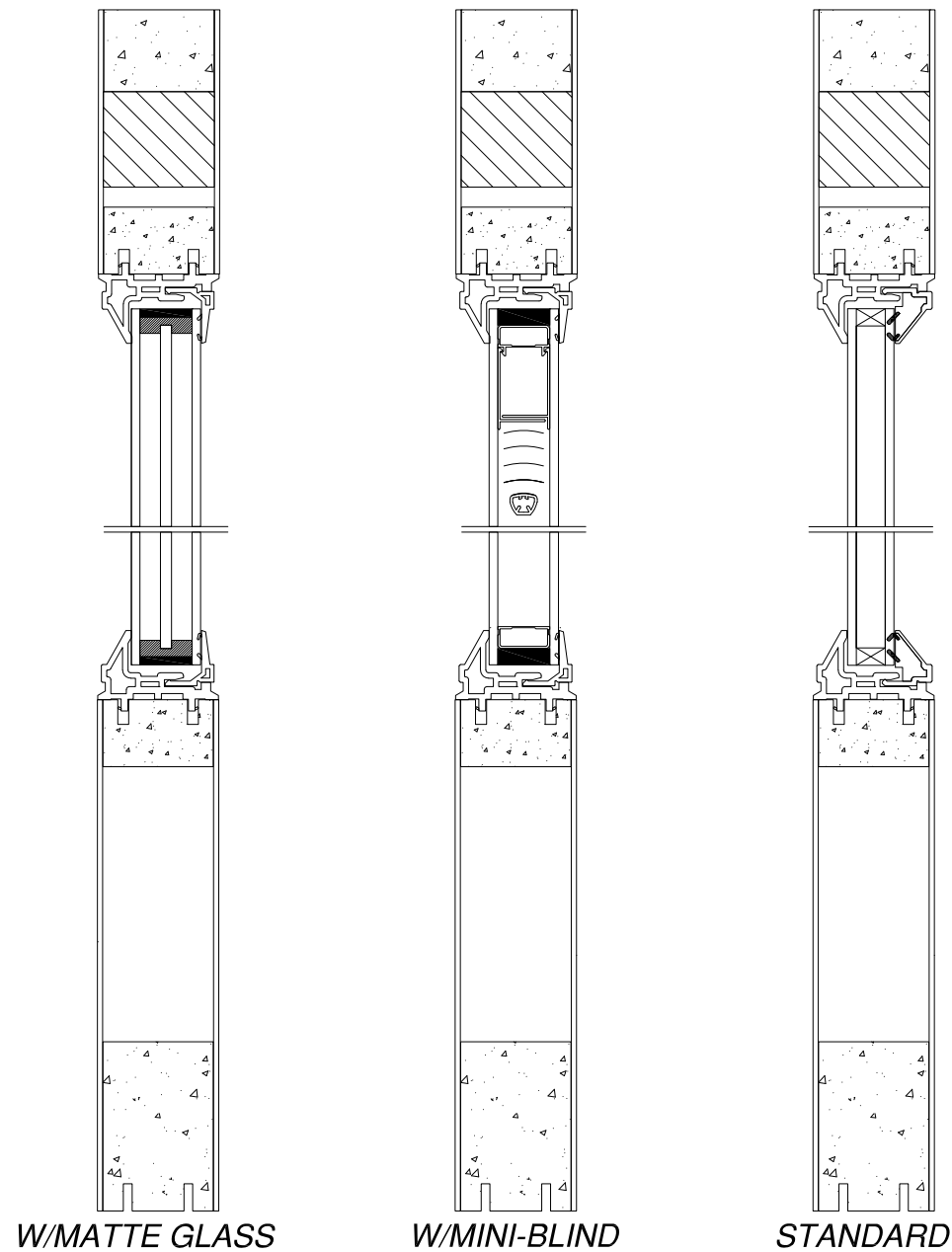
L. ROBERTO LOMAS P.E.
1432 WOODFORD RD LEWISVILLE, NC 27023
434-688-0609 rllomas@rlomaspe.com



Luis R. Lomas P.E.
FL No.: 62514

| REVISIONS | | | |
|-----------|--------------------------------|------------|----------|
| REV | DESCRIPTION | DATE | APPROVED |
| C | REVISED TO ADD GLAZING DETAILS | 05/12/2021 | R.L. |

APPROVED PANEL CONFIGURATIONS



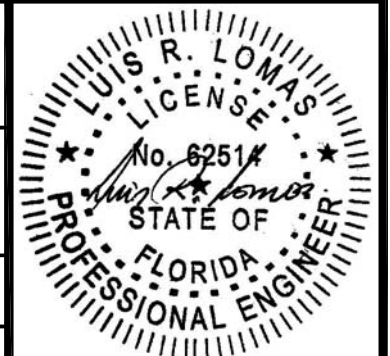
SIGNED: 05/17/2021

NAN YA PLASTICS CORP. USA
 8989 NORTH LOOP EAST
 HOUSTON, TX 77029

SERIES SRS GLIDING PATIO DOOR W/FIELD MULLION
 120611 NON-IMPACT
 GLAZING DETAILS

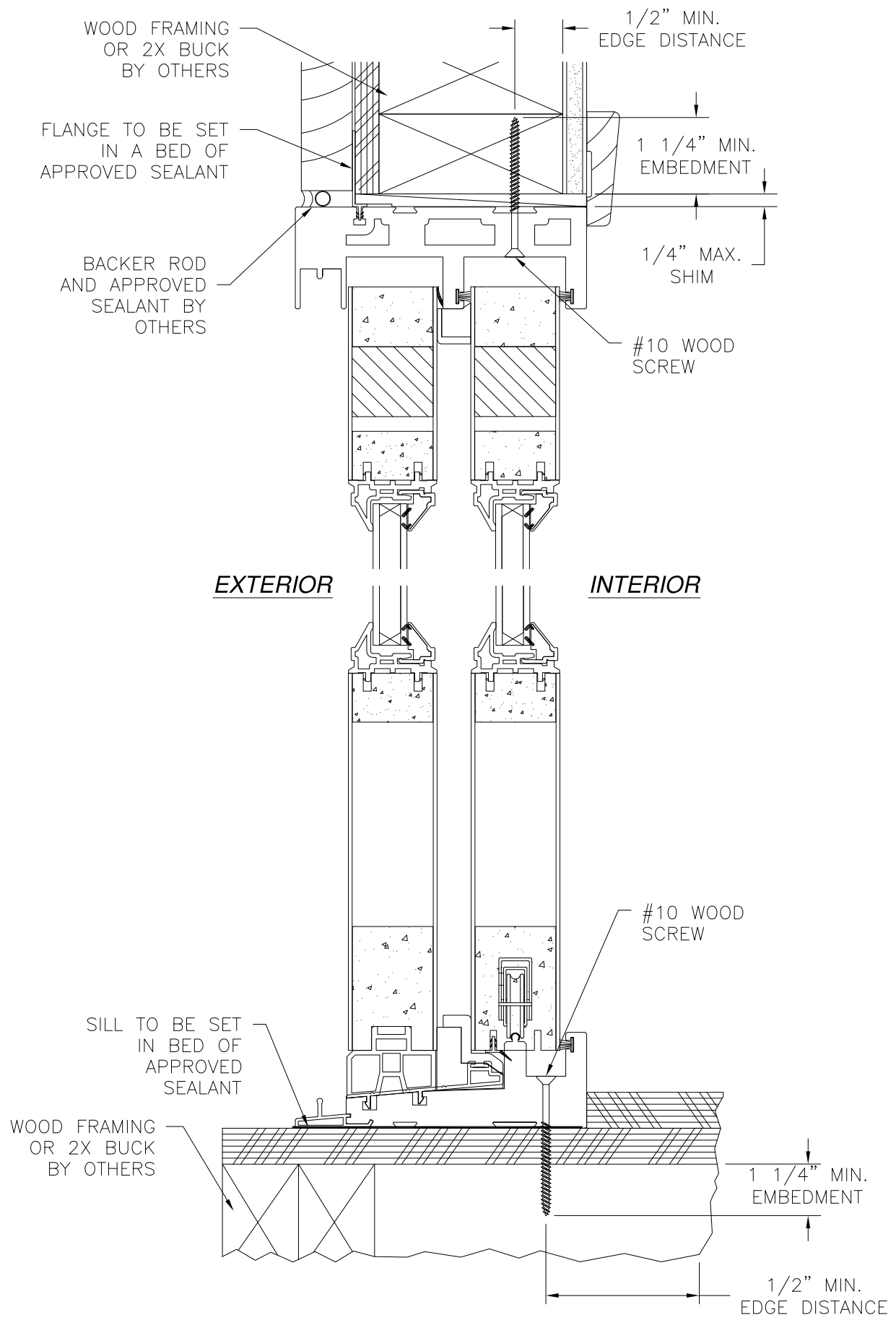
| | | |
|----------------|---------------------|-----------------|
| DRAWN: J.L. | DWG NO. 08-01899 | REV C |
| SCALE NTS | DATE 01/17/13 | SHEET 5 OF 8 |

L. ROBERTO LOMAS P.E.
 1432 WOODFORD RD LEWISVILLE, NC 27023
 434-688-0609 rllomas@rlomaspe.com

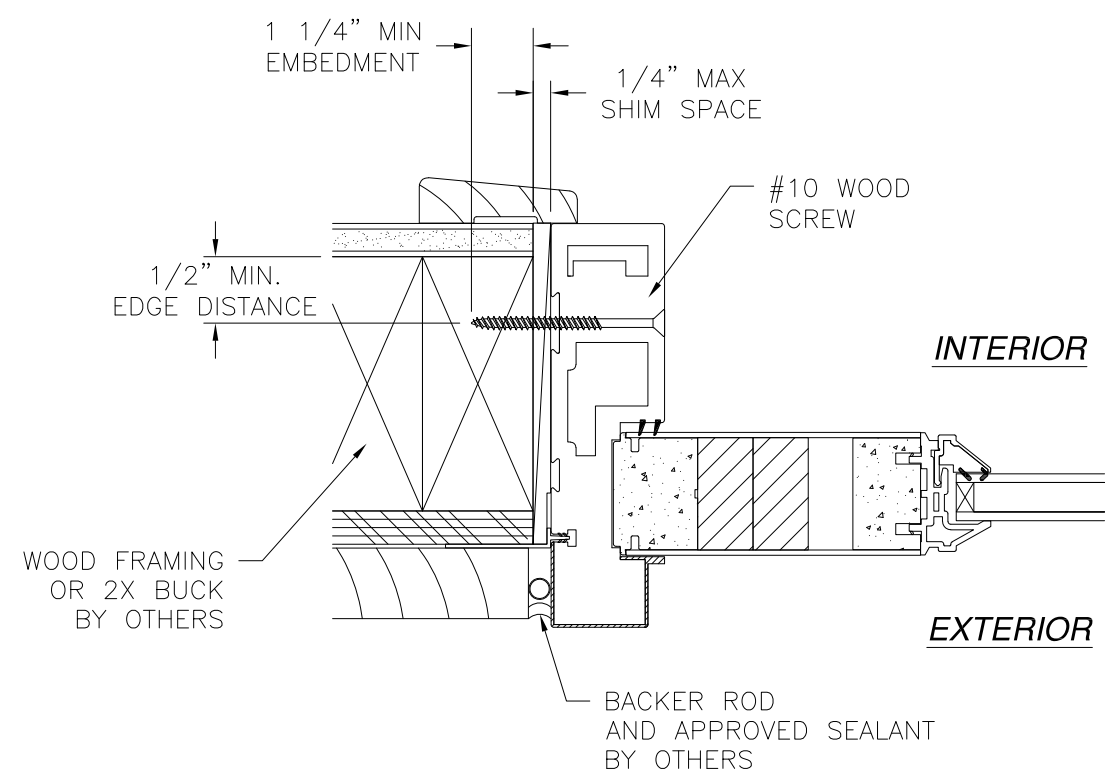


Luis R. Lomas P.E.
 FL No.: 62514

| REVISIONS | | | |
|-----------|--------------------------------|------------|----------|
| REV | DESCRIPTION | DATE | APPROVED |
| C | REVISED TO ADD GLAZING DETAILS | 05/12/2021 | R.L. |



VERTICAL CROSS SECTION
 DOOR SHOWN, SIDELITE SIMILAR
 2X BUCK/WOOD FRAMING INSTALLATION

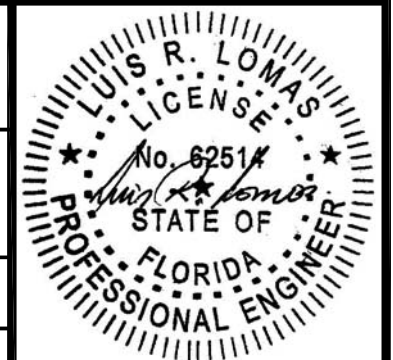


HORIZONTAL CROSS SECTION
 2X BUCK/WOOD FRAMING INSTALLATION

- NOTES:**
1. INTERIOR AND EXTERIOR FINISHES, BY OTHERS, NOT SHOWN FOR CLARITY.
 2. PERIMETER AND JOINT SEALANT BY OTHERS TO BE DESIGNED IN ACCORDANCE WITH ASTM E2112

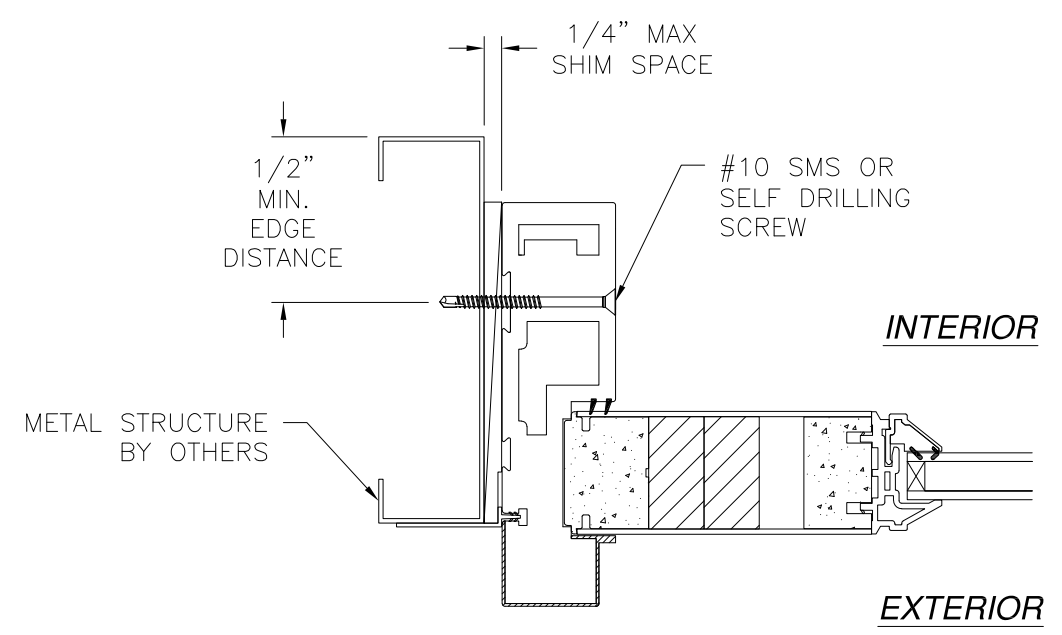
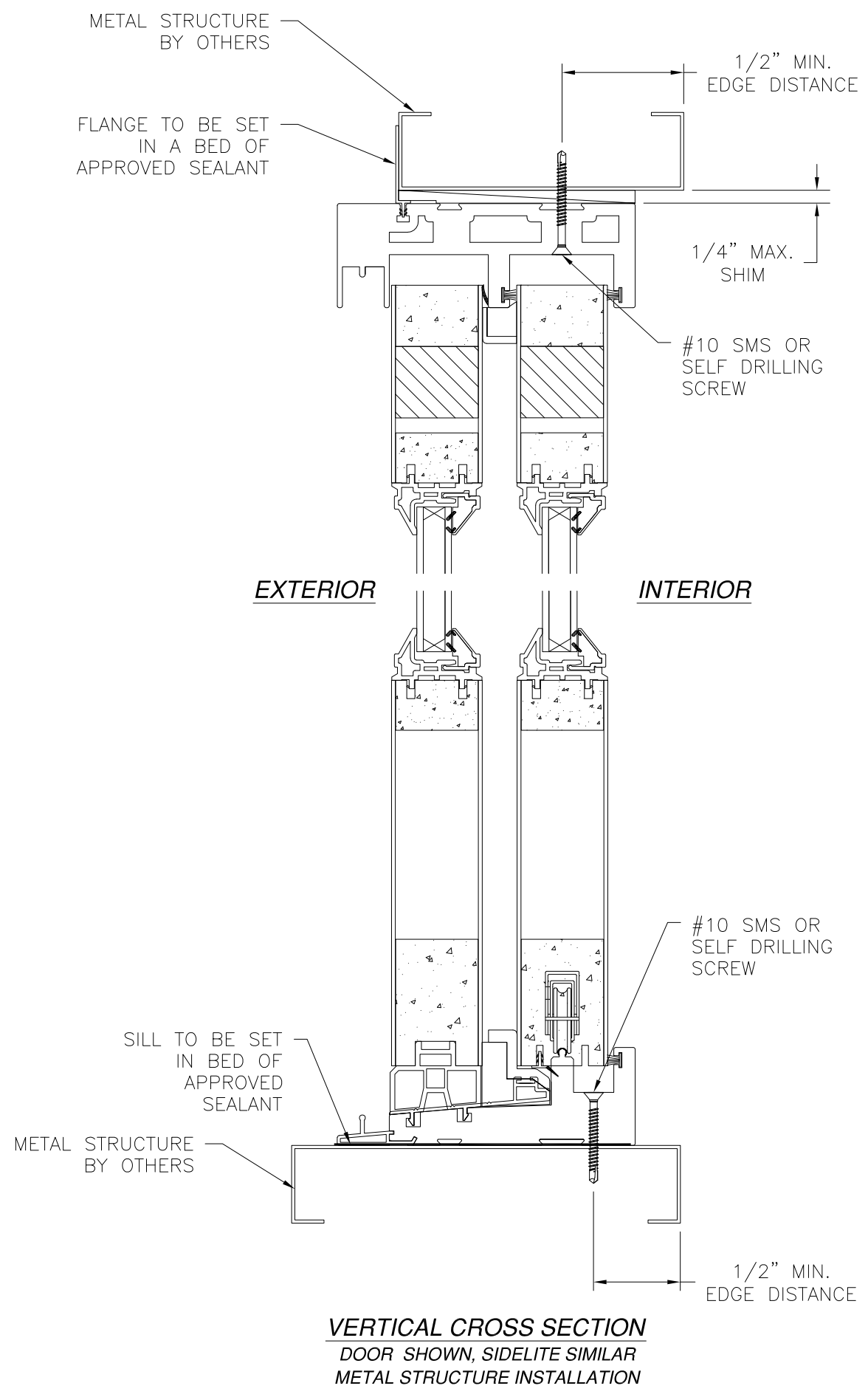
SIGNED: 05/17/2021

| | | |
|-----------------------------------------------------------------------------------------------------|---------------------|--------------|
| NAN YA PLASTICS CORP. USA 8989 NORTH LOOP EAST HOUSTON, TX 77029 | | |
| SERIES SRS GLIDING PATIO DOOR W/FIELD MULLION 120611 NON-IMPACT INSTALLATION DETAILS | | |
| DRAWN: J.L. | DWG NO. 08-01899 | REV C |
| SCALE NTS | DATE 01/17/13 | SHEET 6 OF 8 |
| L. ROBERTO LOMAS P.E. 1432 WOODFORD RD LEWISVILLE, NC 27023 434-688-0609 rllomas@rlomaspe.com | | |



Luis R. Lomas P.E.
 FL No.: 62514

| REVISIONS | | | |
|-----------|--------------------------------|------------|----------|
| REV | DESCRIPTION | DATE | APPROVED |
| C | REVISED TO ADD GLAZING DETAILS | 05/12/2021 | R.L. |



- NOTES:**
1. INTERIOR AND EXTERIOR FINISHES, BY OTHERS, NOT SHOWN FOR CLARITY.
 2. PERIMETER AND JOINT SEALANT BY OTHERS TO BE DESIGNED IN ACCORDANCE WITH ASTM E2112

SIGNED: 05/17/2021

NAN YA PLASTICS CORP. USA
8989 NORTH LOOP EAST
HOUSTON, TX 77029

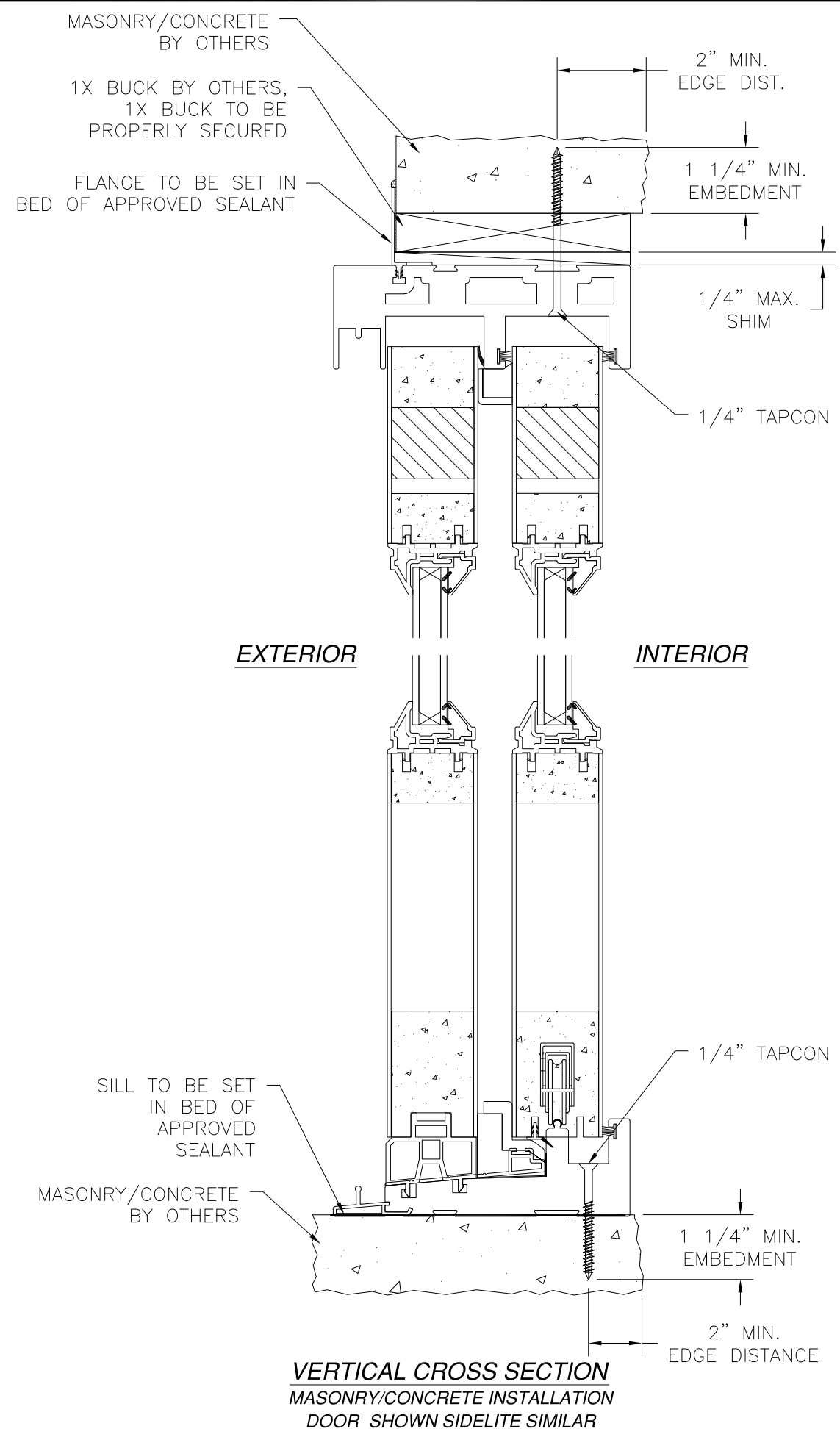
SERIES SRS GLIDING PATIO DOOR W/FIELD MULLION
120611 NON-IMPACT
INSTALLATION DETAILS

| | | |
|----------------|---------------------|--------------|
| DRAWN: J.L. | DWG NO. 08-01899 | REV C |
| SCALE NTS | DATE 01/17/13 | SHEET 7 OF 8 |

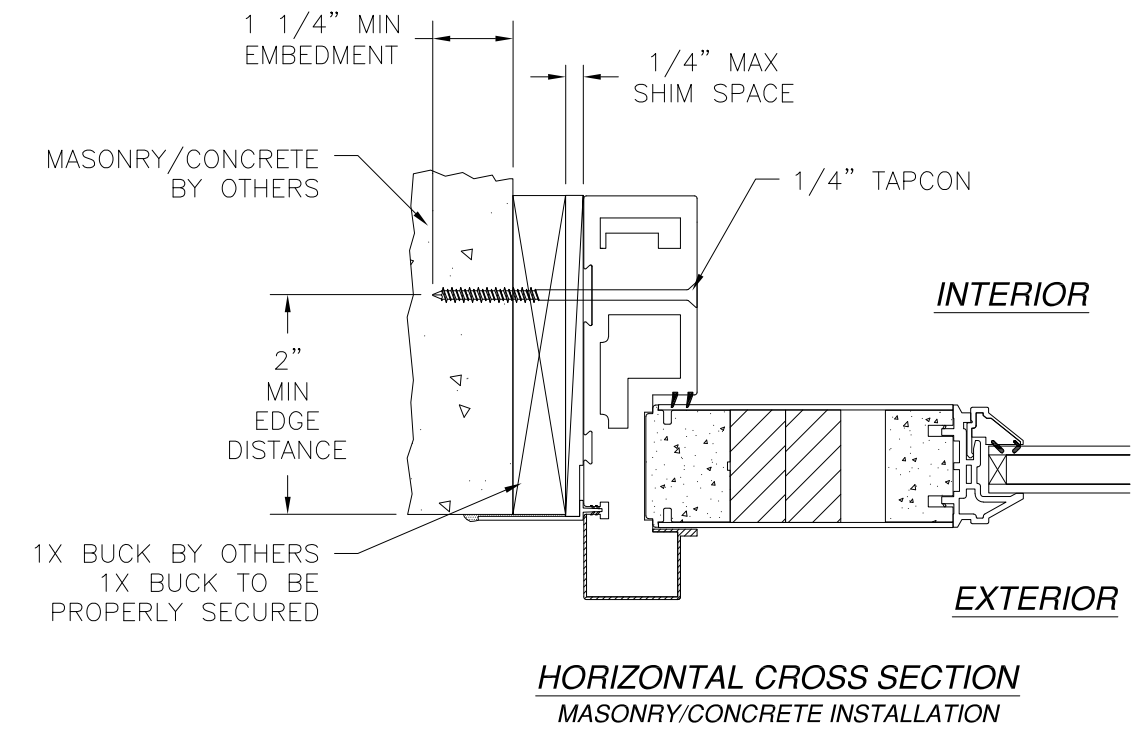
L. ROBERTO LOMAS P.E.
1432 WOODFORD RD LEWISVILLE, NC 27023
434-688-0609 rllomas@rlomaspe.com

Luis R. Lomas P.E.
FL No.: 62514

| REVISIONS | | | |
|-----------|--------------------------------|------------|----------|
| REV | DESCRIPTION | DATE | APPROVED |
| C | REVISED TO ADD GLAZING DETAILS | 05/12/2021 | R.L. |



VERTICAL CROSS SECTION
MASONRY/CONCRETE INSTALLATION
DOOR SHOWN SIDELITE SIMILAR



HORIZONTAL CROSS SECTION
MASONRY/CONCRETE INSTALLATION

- NOTES:**
1. INTERIOR AND EXTERIOR FINISHES, BY OTHERS, NOT SHOWN FOR CLARITY.
 2. PERIMETER AND JOINT SEALANT BY OTHERS TO BE DESIGNED IN ACCORDANCE WITH ASTM E2112

SIGNED: 05/17/2021

NAN YA PLASTICS CORP. USA
8989 NORTH LOOP EAST
HOUSTON, TX 77029

SERIES SRS GLIDING PATIO DOOR W/FIELD MULLION
120611 NON-IMPACT
INSTALLATION DETAILS

| | | |
|----------------|---------------------|--------------|
| DRAWN: J.L. | DWG NO. 08-01899 | REV C |
| SCALE NTS | DATE 01/17/13 | SHEET 8 OF 8 |

L. ROBERTO LOMAS P.E.
1432 WOODFORD RD LEWISVILLE, NC 27023
434-688-0609 rllomas@lrlomaspe.com

Luis R. Lomas P.E.
FL No.: 62514