

REVISIONS			
REV	DESCRIPTION	DATE	APPROVED
A	REVISED DIMENSIONS	02/18/15	R.L.
B	REVISED PER NEW REQUIREMENTS	09/29/2020	R.L.

NOTES:

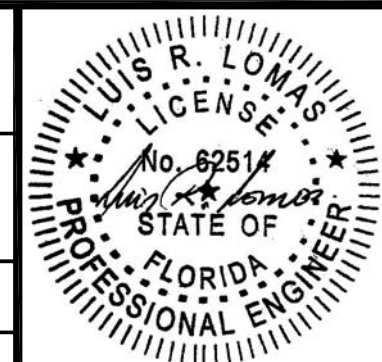
1. THE PRODUCT SHOWN HEREIN IS DESIGNED AND MANUFACTURED TO COMPLY WITH REQUIREMENTS OF THE FLORIDA BUILDING CODE.
2. WOOD FRAMING AND MASONRY OPENING TO BE DESIGNED AND ANCHORED TO PROPERLY TRANSFER ALL LOADS TO STRUCTURE. FRAMING AND MASONRY OPENING IS THE RESPONSIBILITY OF THE ARCHITECT OR ENGINEER OF RECORD.
3. 1X BUCK OVER MASONRY/CONCRETE IS OPTIONAL.
4. WHERE SHIM OR BUCK THICKNESS IS LESS THAN 1-1/2" WINDOW UNITS MUST BE ANCHORED THROUGH THE FRAME IN ACCORDANCE WITH MANUFACTURER'S PUBLISHED INSTALLATION INSTRUCTIONS. ANCHORS SHALL BE SECURELY FASTENED DIRECTLY INTO MASONRY, CONCRETE OR OTHER STRUCTURAL SUBSTRATE MATERIAL.
5. WHERE WOOD BUCK THICKNESS IS 1-1/2" OR GREATER, BUCK SHALL BE SECURELY FASTENED TO MASONRY, CONCRETE OR OTHER STRUCTURAL SUBSTRATE. WINDOW UNITS MAY BE ANCHORED THROUGH FRAME TO SECURED WOOD BUCK IN ACCORDANCE WITH MANUFACTURER'S PUBLISHED INSTALLATION INSTRUCTIONS.
6. WHERE 1X BUCK IS NOT USED DISSIMILAR MATERIALS MUST BE SEPARATED WITH APPROVED COATING OR MEMBRANE. SELECTION OF COATING OR MEMBRANE IS THE RESPONSIBILITY OF THE ARCHITECT OR ENGINEER OF RECORD.
7. BUCKS SHALL EXTEND BEYOND WINDOW INTERIOR FACE SO THAT FULL FRAME SUPPORT IS PROVIDED.
8. FOR FIN INSTALLATION SHIM AS NEEDED. FOR FRAME INSTALLATION SHIM AS REQUIRED AT EACH ANCHOR LOCATION WITH LOAD BEARING SHIM. SHIM WHERE SPACE OF 1/16" OR GREATER OCCURS. MAXIMUM ALLOWABLE SHIM STACK TO BE 1/4".
9. SHIMS SHALL BE LOCATED, APPLIED AND MADE FROM MATERIALS AND THICKNESS CAPABLE OF SUSTAINING APPLICABLE LOADS.
10. WIND LOAD DURATION FACTOR Cd=1.6 WAS USED FOR WOOD ANCHOR CALCULATIONS.
11. FRAME MATERIAL: CO-EXTRUDED PVC FOAM.
12. UNITS MUST BE GLAZED PER ASTM E1300, WITH SAFETY GLAZING.
13. APPROVED IMPACT PROTECTIVE SYSTEM IS REQUIRED FOR THIS PRODUCT IN WIND BORNE DEBRIS REGIONS.
14. FOR ANCHORING INTO WOOD FRAMING OR 2X BUCK USE #10 WOOD SCREWS WITH SUFFICIENT LENGTH TO ACHIEVE A 1 3/8" MINIMUM EMBEDMENT INTO SUBSTRATE. LOCATE ANCHORS AS SHOWN IN ELEVATIONS AND INSTALLATION DETAILS.

15. FOR ANCHORING INTO MASONRY/CONCRETE USE 3/16" TAPCONS WITH SUFFICIENT LENGTH TO ACHIEVE A 1 1/4" MINIMUM EMBEDMENT INTO SUBSTRATE WITH 2 1/2" MINIMUM EDGE DISTANCE. LOCATE ANCHORS AS SHOWN IN ELEVATIONS AND INSTALLATION DETAILS.
16. FOR ANCHORING INTO METAL STRUCTURE USE #10 SMS OR SELF DRILLING SCREWS WITH SUFFICIENT LENGTH TO ACHIEVE 3 THREADS MINIMUM BEYOND STRUCTURE INTERIOR WALL. LOCATE ANCHORS AS SHOWN IN ELEVATIONS AND INSTALLATION DETAILS.
17. ALL FASTENERS TO BE CORROSION RESISTANT.
18. INSTALLATION ANCHORS SHALL BE INSTALLED IN ACCORDANCE WITH ANCHOR MANUFACTURER'S INSTALLATION INSTRUCTIONS AND ANCHORS SHALL NOT BE USED IN SUBSTRATES WITH STRENGTHS LESS THAN THE MINIMUM STRENGTH SPECIFIED BELOW:
 - A. WOOD - MINIMUM SPECIFIC GRAVITY OF G=0.42
 - B. CONCRETE - MINIMUM COMPRESSIVE STRENGTH OF 3,192 PSI.
 - C. MASONRY - STRENGTH CONFORMANCE TO ASTM C-90, GRADE N, TYPE 1 (OR GREATER).
 - D. METAL STRUCTURE: STEEL 18GA, 33KSI OR ALUMINUM 6063-T5 1/8" THICK MINIMUM
19. APPROVED CONFIGURATIONS: O/OX, O/XO, OX, XO.

SIGNED: 09/29/2020

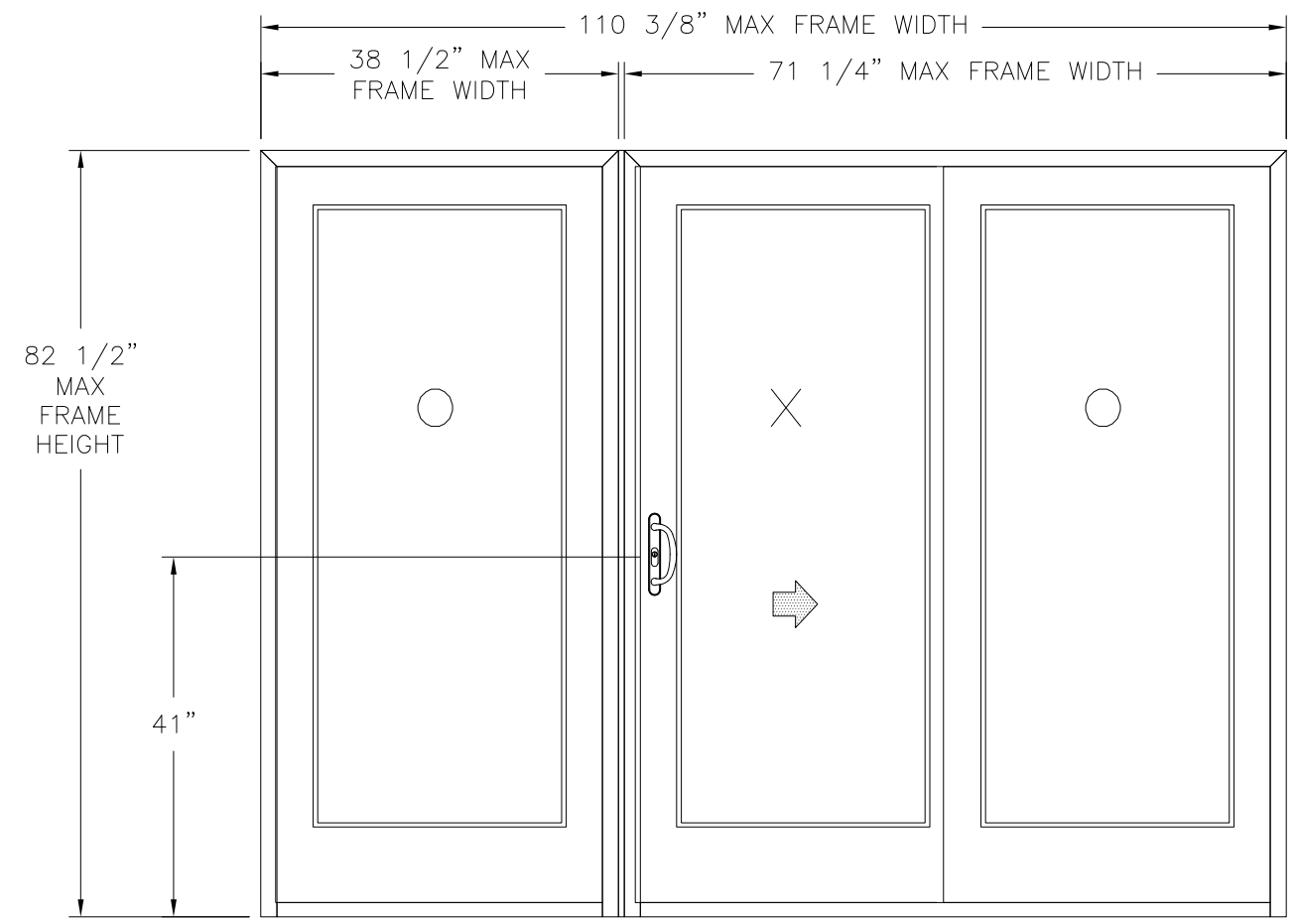
TABLE OF CONTENTS	
SHEET NO.	DESCRIPTION
1	NOTES
2	ELEVATIONS
3 - 9	INSTALLATION DETAILS

NAN YA PLASTICS CORP. USA 8989 NORTH LOOP EAST HOUSTON, TX 77029		
SERIES GLIDING 3 PANEL PATIO DOOR SLIDING DOOR W/FIELD MULLION NON-IMPACT OXO ELEVATION AND NOTES		
DRAWN: R.L.	DWG NO. 08-02362	REV B
SCALE NTS	DATE 07/07/2014	SHEET 1 OF 9
L. ROBERTO LOMAS P.E. 1432 WOODFORD RD LEWISVILLE, NC 27023 434-688-0609 rllomas@rlomaspe.com		

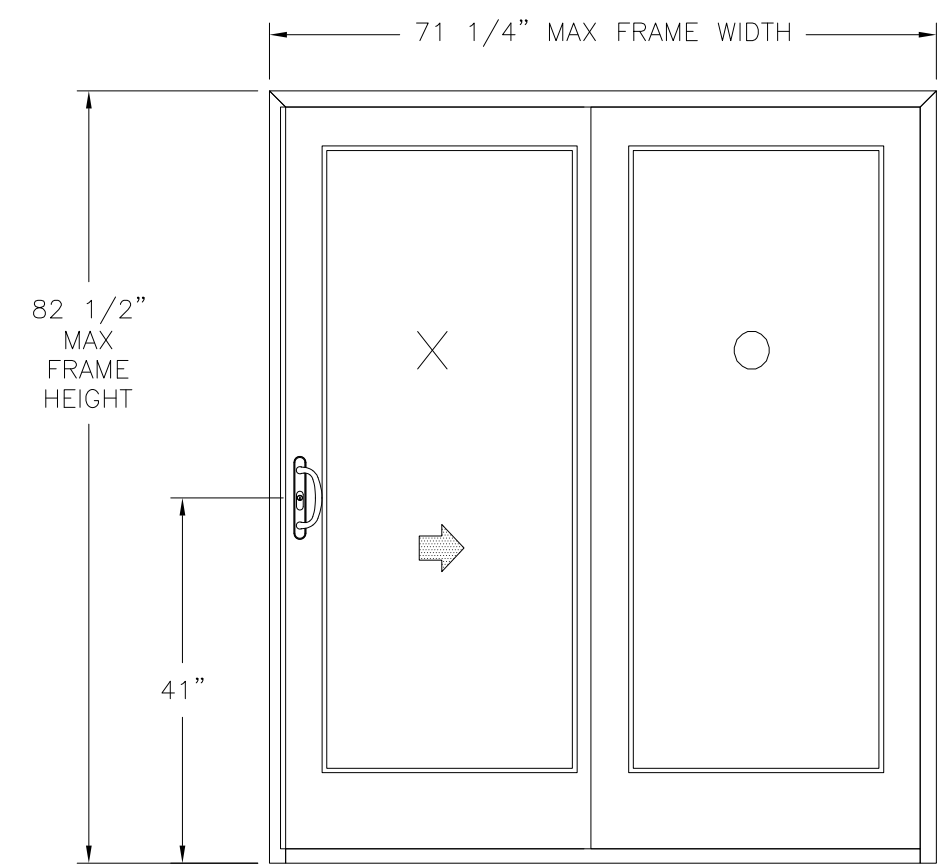


Luis R. Lomas P.E.
FL No.: 62514

REVISIONS			
REV	DESCRIPTION	DATE	APPROVED
A	REVISED DIMENSIONS	02/18/15	R.L.
B	REVISED PER NEW REQUIREMENTS	09/29/2020	R.L.



SERIES GLIDING PANEL PATIO DOOR
EXTERIOR VIEW



SERIES GLIDING PANEL PATIO DOOR
EXTERIOR VIEW

DESIGN PRESSURE RATING	IMPACT RATING
±50PSF	NONE

- NOTES:
1. MAXIMUM PANEL SIZE: 35 3/4" X 79 19/32"
 2. MAXIMUM D.L.O.: 26 1/4" X 66"

HARDWARE SCHEDULE	
A.	STAINLESS STEEL ADJUSTABLE ROLLER AT BOTTOM RAIL
B.	STAINLESS STEEL DOWNSIDE BRACKET AT FIXED PANEL
C.	STAINLESS STEEL LOCK KEEPER AT FRAME JAMB
D.	STAINLESS STEEL SINGLE LOCK SYSTEM AT ACTIVE PANEL
E.	DIE CASTING STEEL HANDLE AT ACTIVE PANEL

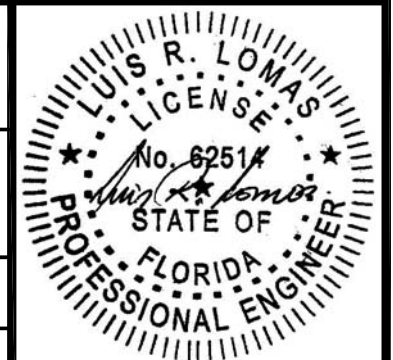
NAN YA PLASTICS CORP. USA
8989 NORTH LOOP EAST
HOUSTON, TX 77029

SERIES GLIDING 3 PANEL PATIO DOOR
SLIDING DOOR W/FIELD MULLION NON-IMPACT
ELEVATIONS

DRAWN: R.L.	DWG NO. 08-02362	REV B
SCALE NTS	DATE 07/07/2014	SHEET 2 OF 9

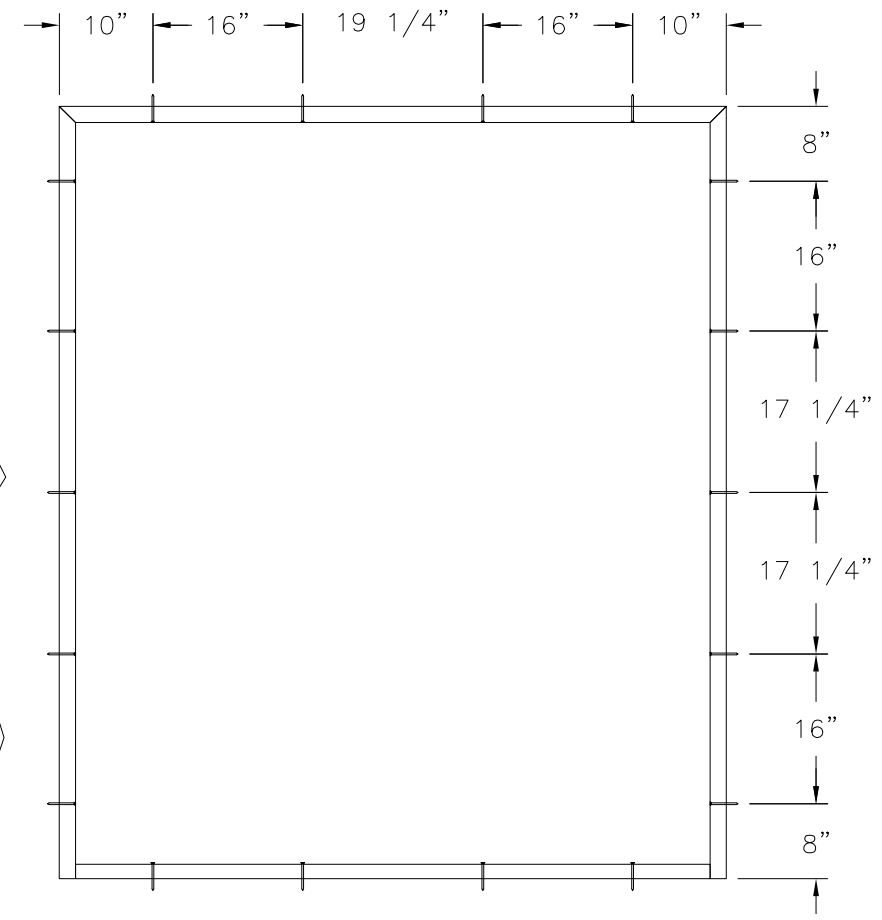
L. ROBERTO LOMAS P.E.
1432 WOODFORD RD LEWISVILLE, NC 27023
434-688-0609 rllomas@rlomaspe.com

SIGNED: 09/29/2020

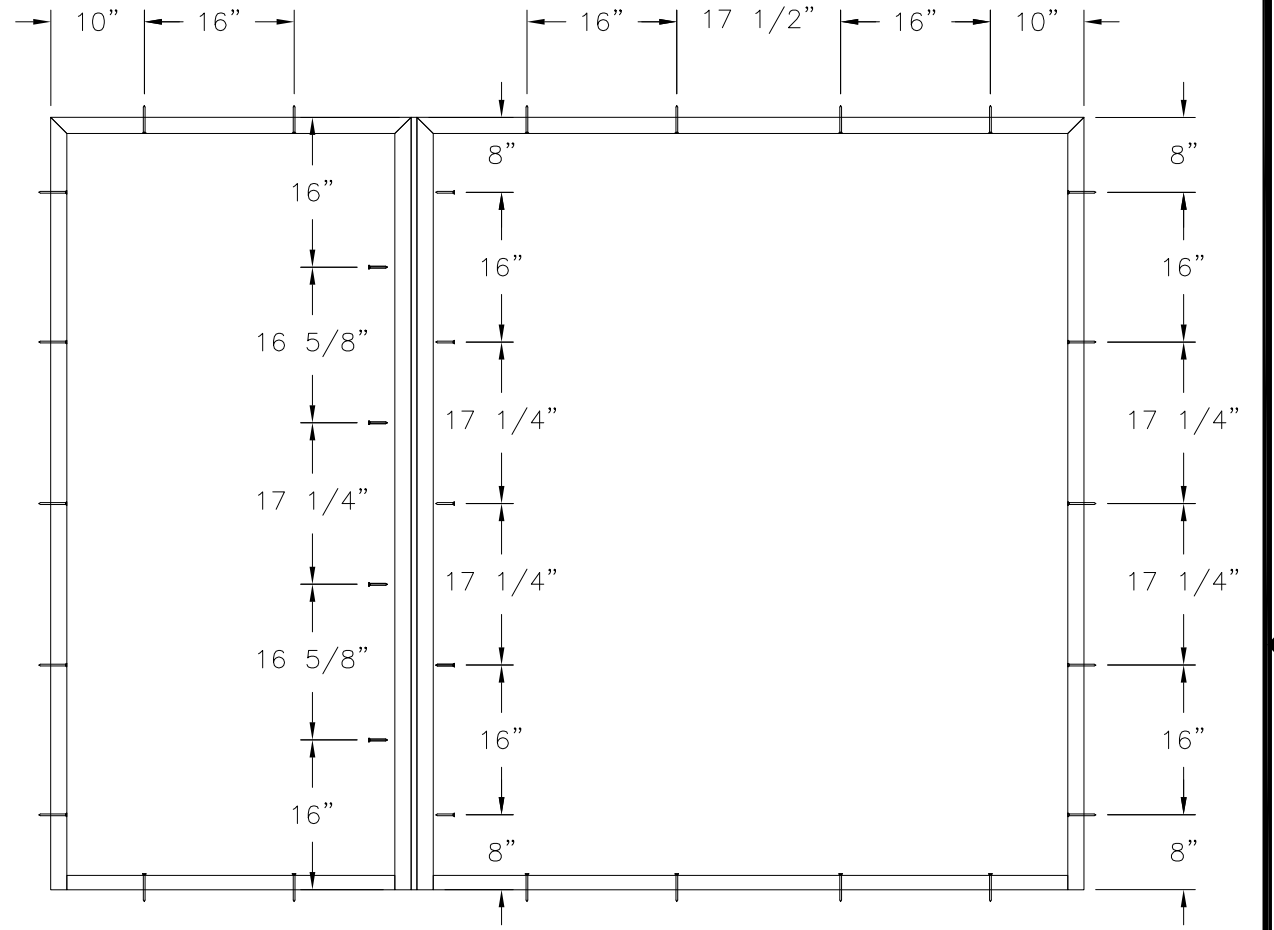


Luis R. Lomas P.E.
FL No.: 62514

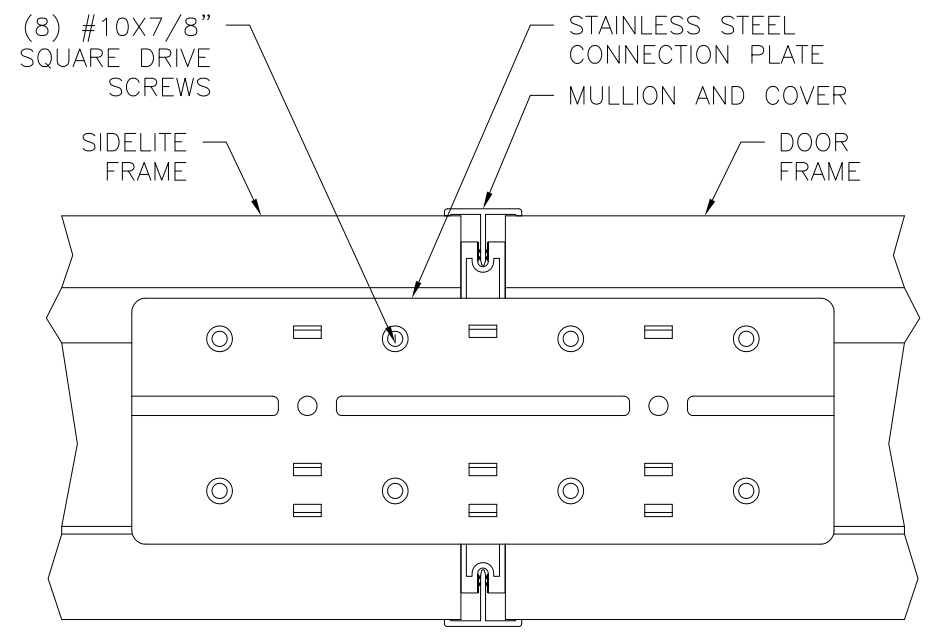
REVISIONS			
REV	DESCRIPTION	DATE	APPROVED
A	REVISED DIMENSIONS	02/18/15	R.L.
B	REVISED PER NEW REQUIREMENTS	09/29/2020	R.L.



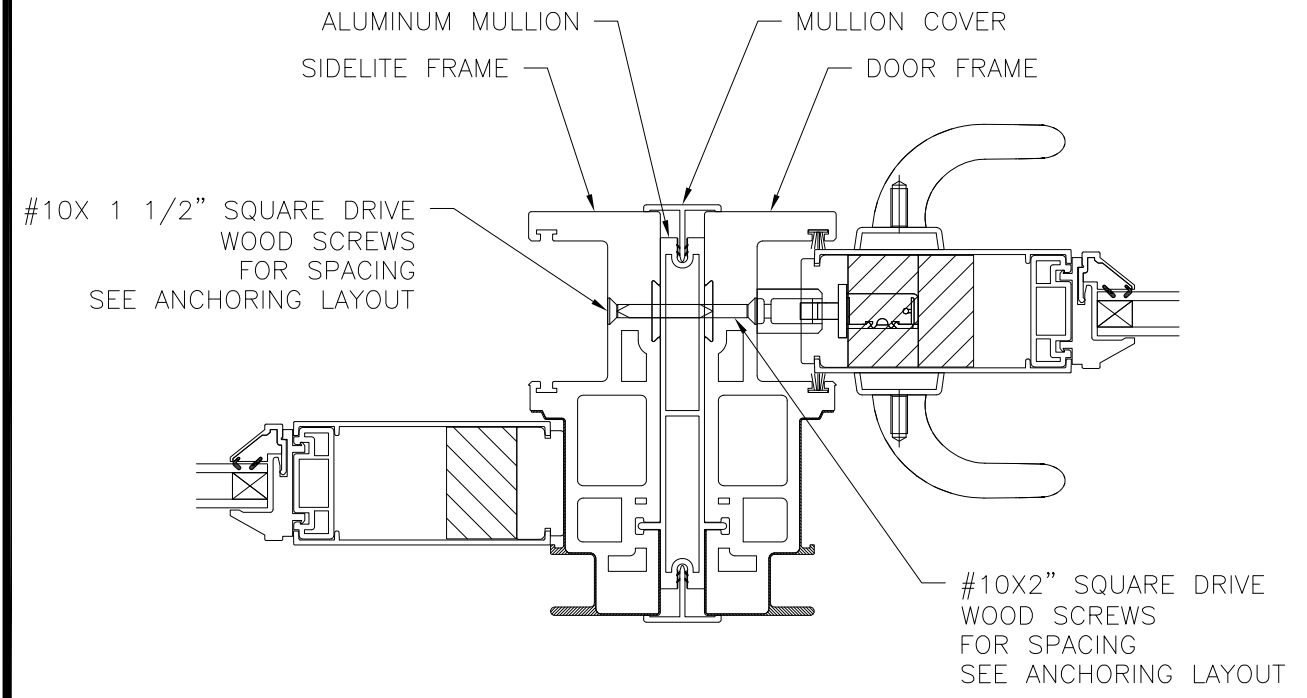
OX AND XO ANCHORING LAYOUT



**O/XO ANCHORING LAYOUT
OX/O SIMILAR**



**MULLION CONNECTION PLATE INSTALLATION DETAIL
AT HEAD AND SILL**



MULLION CONNECTION DETAIL

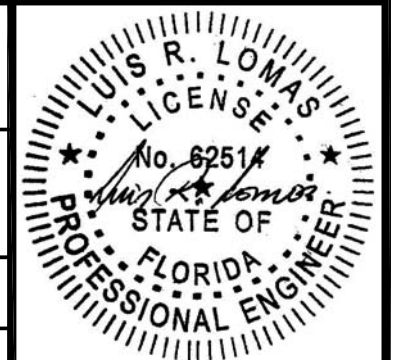
NAN YA PLASTICS CORP. USA
8989 NORTH LOOP EAST
HOUSTON, TX 77029

SERIES GLIDING 3 PANEL PATIO DOOR
SLIDING DOOR W/FIELD MULLION NON-IMPACT
ANCHORING LAYOUTS

DRAWN: R.L.	DWG NO. 08-02362	REV B
SCALE NTS	DATE 07/07/2014	SHEET 3 OF 9

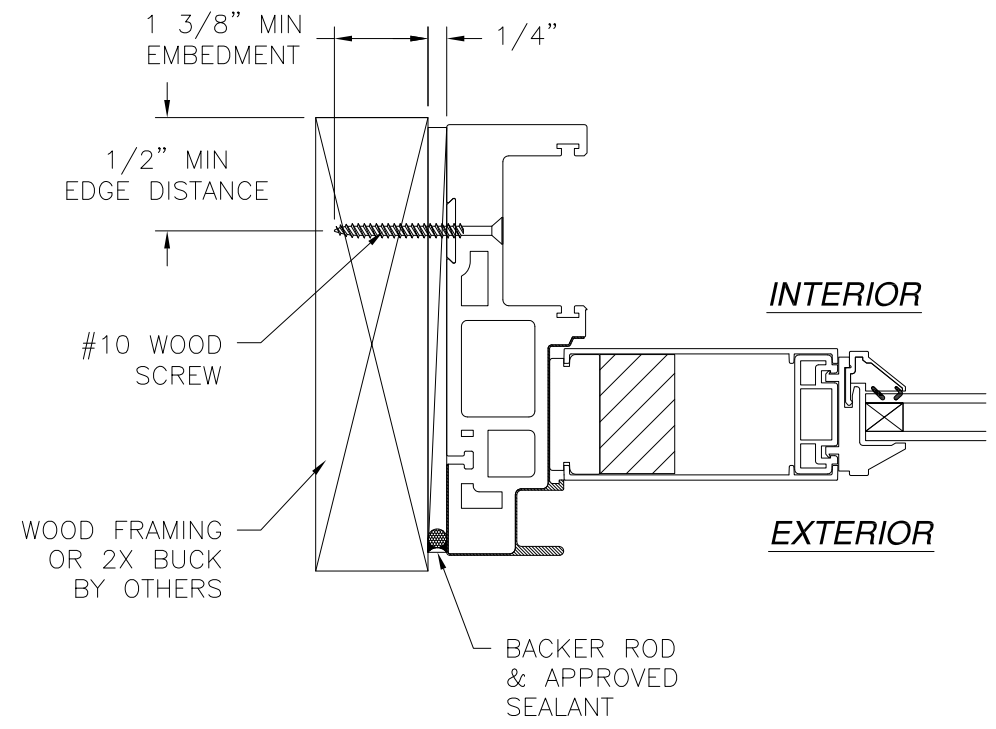
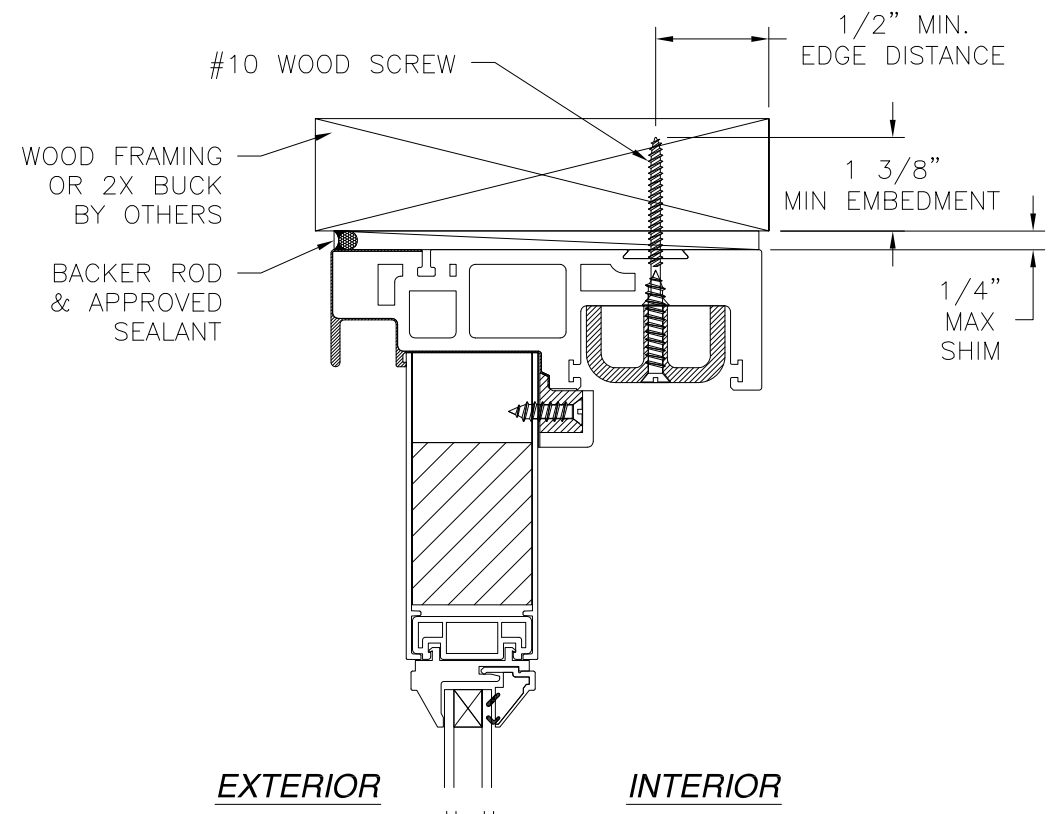
L. ROBERTO LOMAS P.E.
1432 WOODFORD RD LEWISVILLE, NC 27023
434-688-0609 rllomas@rlomaspe.com

SIGNED: 09/29/2020



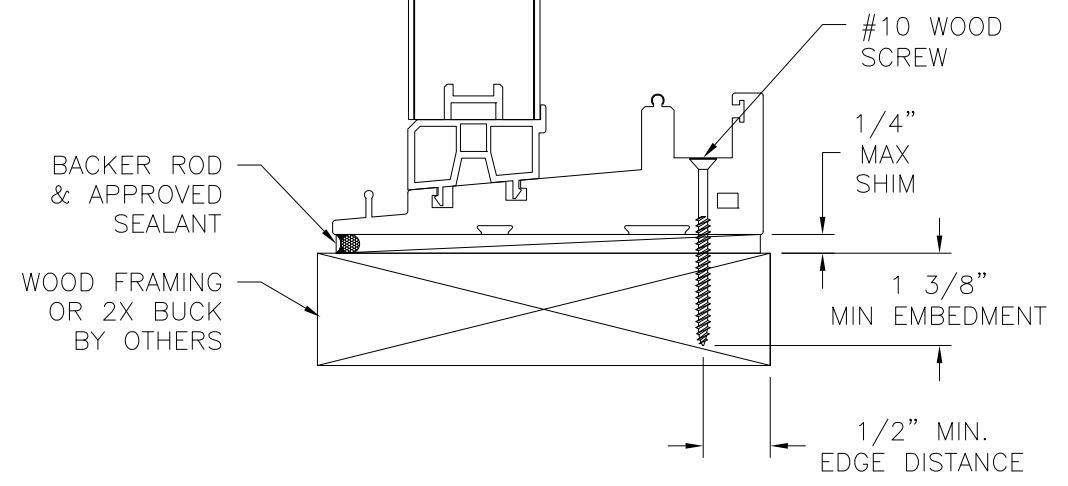
Luis R. Lomas P.E.
FL No.: 62514

REVISIONS			
REV	DESCRIPTION	DATE	APPROVED
A	REVISED DIMENSIONS	02/18/15	R.L.
B	REVISED PER NEW REQUIREMENTS	09/29/2020	R.L.



SIDELITE JAMB INSTALLATION DETAIL
WOOD FRAMING OR 2X BUCK INSTALLATION

NOTES:
 1. INTERIOR AND EXTERIOR FINISHES, BY OTHERS, NOT SHOWN FOR CLARITY.
 2. PERIMETER AND JOINT SEALANT BY OTHERS TO BE DESIGNED IN ACCORDANCE WITH ASTM E2112



SIDELITE VERTICAL CROSS SECTION
WOOD FRAMING OR 2X BUCK INSTALLATION

SIGNED: 09/29/2020

NAN YA PLASTICS CORP. USA
 8989 NORTH LOOP EAST
 HOUSTON, TX 77029

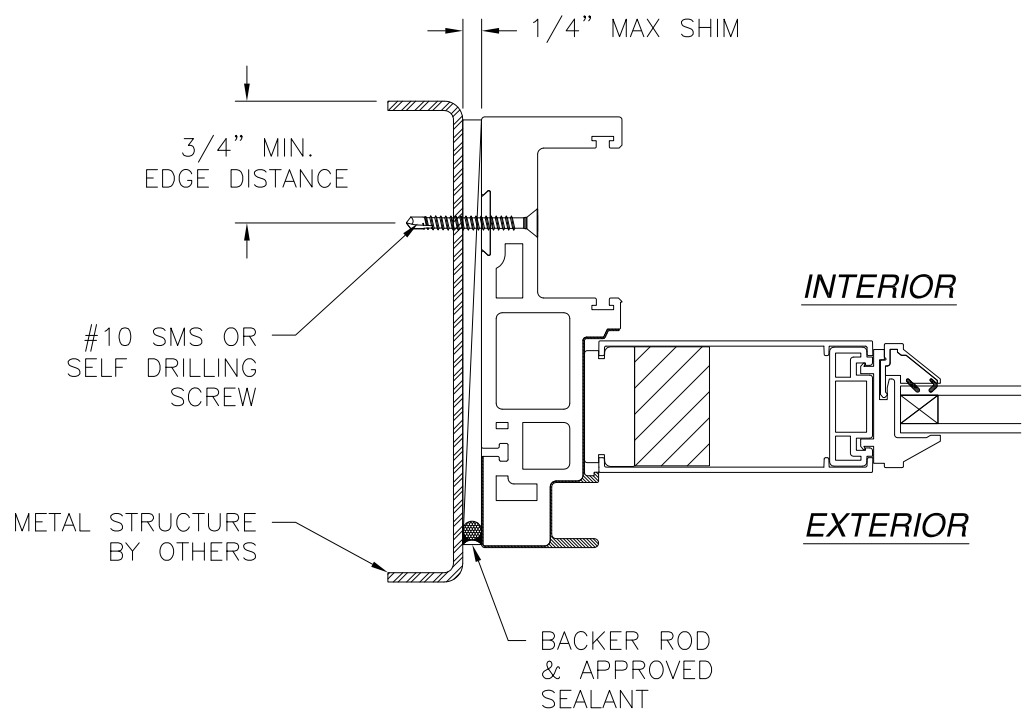
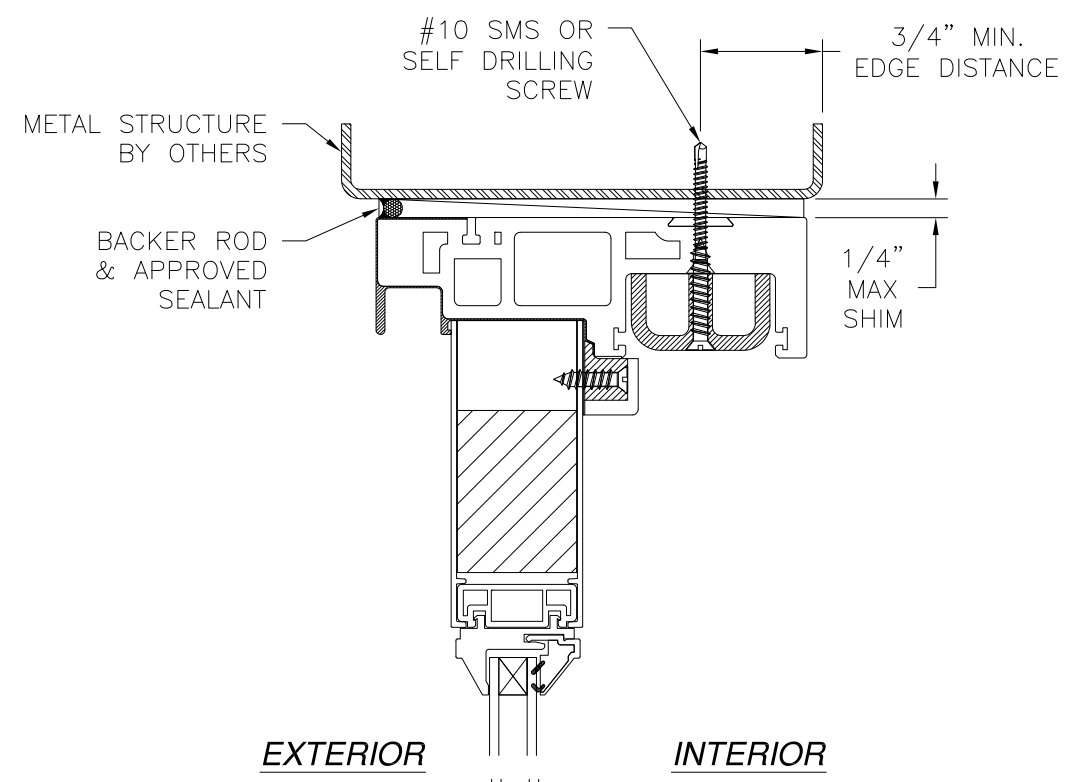
SERIES GLIDING 3 PANEL PATIO DOOR
 SLIDING DOOR W/FIELD MULLION NON-IMPACT
 SIDELITE INSTALLATION DETAILS

DRAWN: R.L.	DWG NO. 08-02362	REV B
SCALE NTS	DATE 07/07/2014	SHEET 4 OF 9

L. ROBERTO LOMAS P.E.
 1432 WOODFORD RD LEWISVILLE, NC 27023
 434-688-0609 rllomas@rlomaspe.com

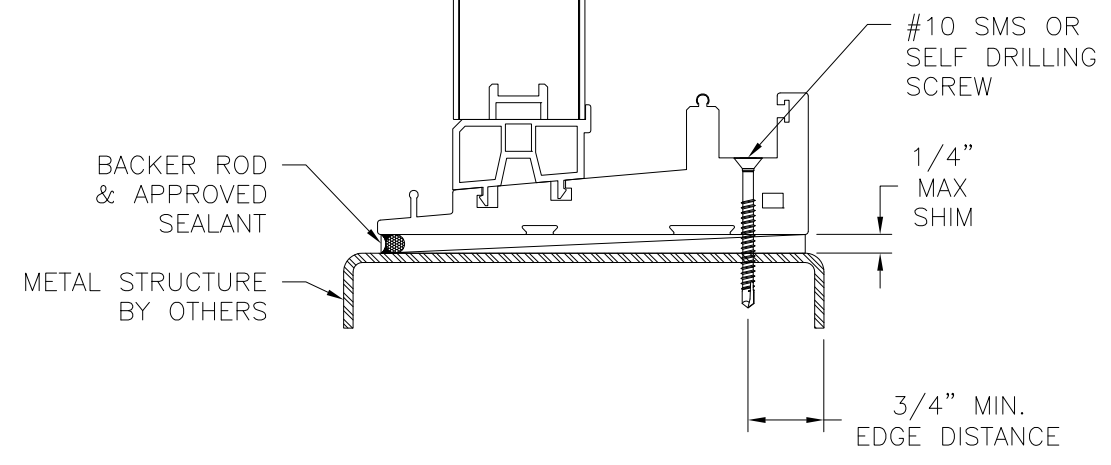
Luis R. Lomas P.E.
 FL No.: 62514

REVISIONS			
REV	DESCRIPTION	DATE	APPROVED
A	REVISED DIMENSIONS	02/18/15	R.L.
B	REVISED PER NEW REQUIREMENTS	09/29/2020	R.L.



SIDELITE JAMB INSTALLATION DETAIL
METAL STRUCTURE INSTALLATION

NOTES:
 1. INTERIOR AND EXTERIOR FINISHES, BY OTHERS, NOT SHOWN FOR CLARITY.
 2. PERIMETER AND JOINT SEALANT BY OTHERS TO BE DESIGNED IN ACCORDANCE WITH ASTM E2112



SIDELITE VERTICAL CROSS SECTION
METAL STRUCTURE INSTALLATION

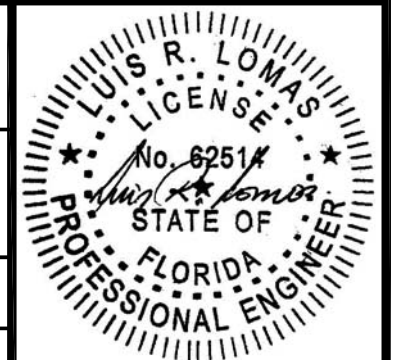
NAN YA PLASTICS CORP. USA
 8989 NORTH LOOP EAST
 HOUSTON, TX 77029

SERIES GLIDING 3 PANEL PATIO DOOR
 SLIDING DOOR W/FIELD MULLION NON-IMPACT
 SIDELITE INSTALLATION DETAILS

DRAWN: R.L.	DWG NO. 08-02362	REV B
SCALE NTS	DATE 07/07/2014	SHEET 5 OF 9

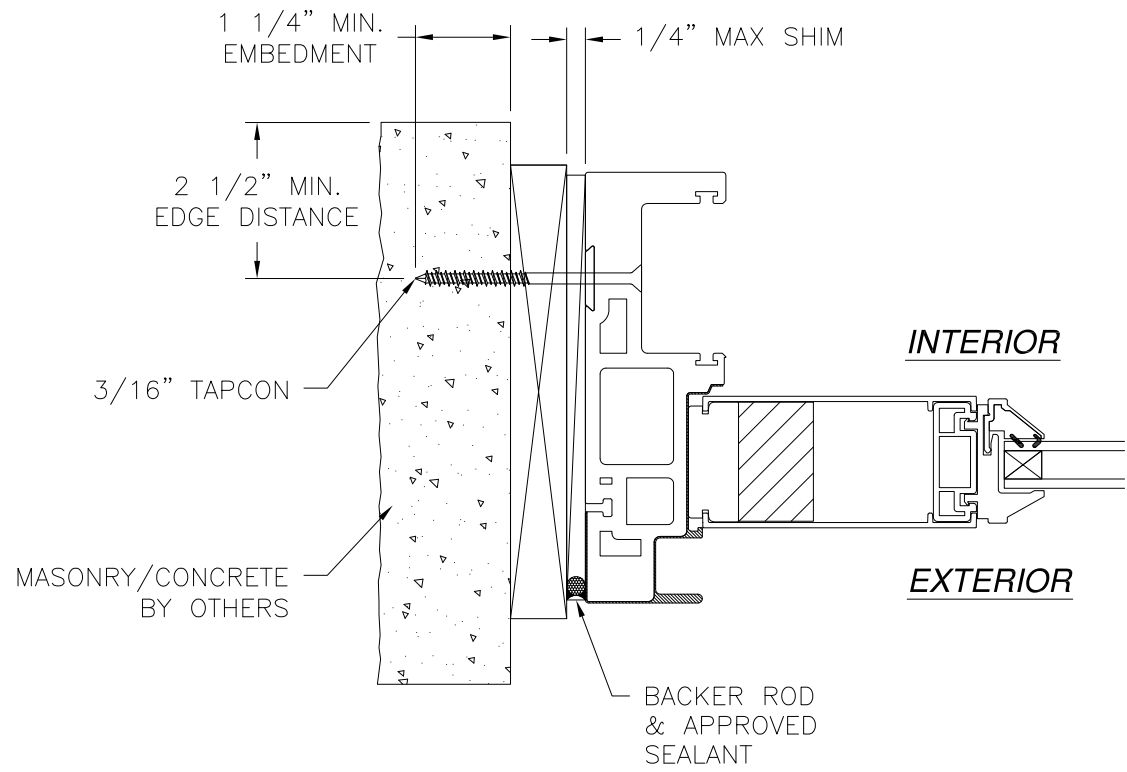
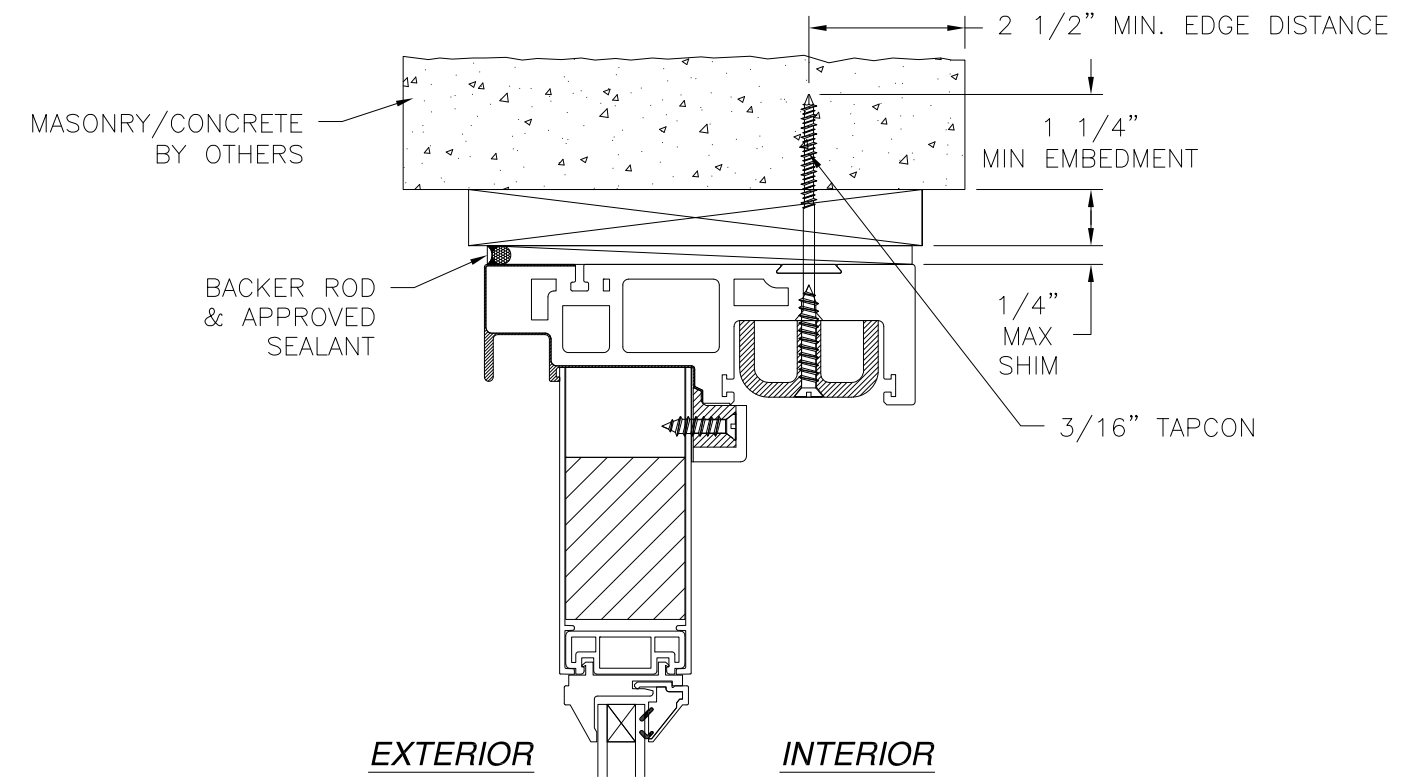
L. ROBERTO LOMAS P.E.
 1432 WOODFORD RD LEWISVILLE, NC 27023
 434-688-0609 rllomas@rlomaspe.com

SIGNED: 09/29/2020

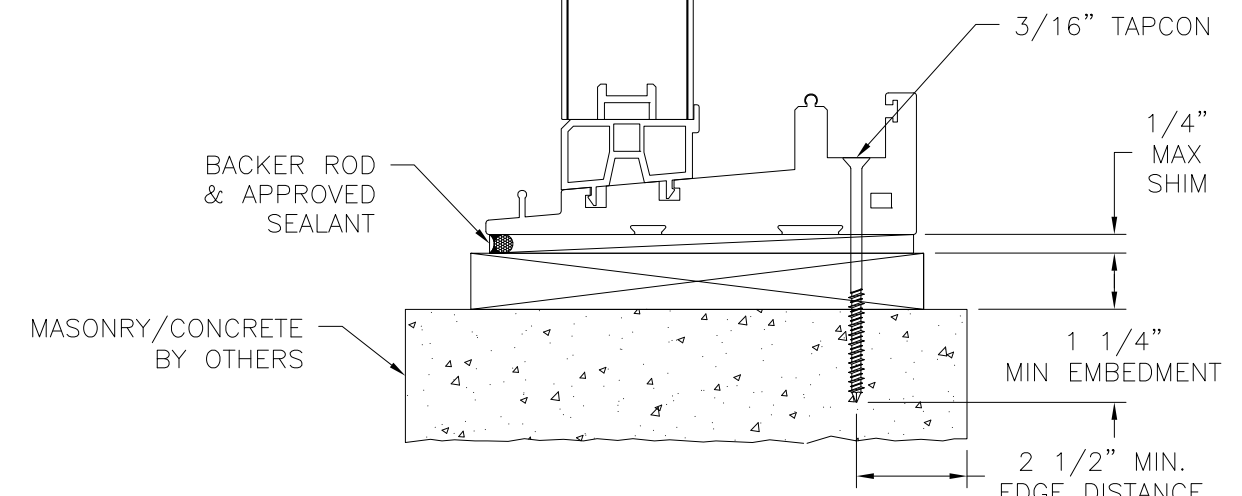


Luis R. Lomas P.E.
 FL No.: 62514

REVISIONS			
REV	DESCRIPTION	DATE	APPROVED
A	REVISED DIMENSIONS	02/18/15	R.L.
B	REVISED PER NEW REQUIREMENTS	09/29/2020	R.L.



SIDELITE JAMB INSTALLATION DETAIL
CONCRETE/MASONRY INSTALLATION



SIDELITE VERTICAL CROSS SECTION
CONCRETE/MASONRY INSTALLATION

- NOTES:**
1. INTERIOR AND EXTERIOR FINISHES, BY OTHERS, NOT SHOWN FOR CLARITY.
 2. PERIMETER AND JOINT SEALANT BY OTHERS TO BE DESIGNED IN ACCORDANCE WITH ASTM E2112

SIGNED: 09/29/2020

NAN YA PLASTICS CORP. USA
8989 NORTH LOOP EAST
HOUSTON, TX 77029

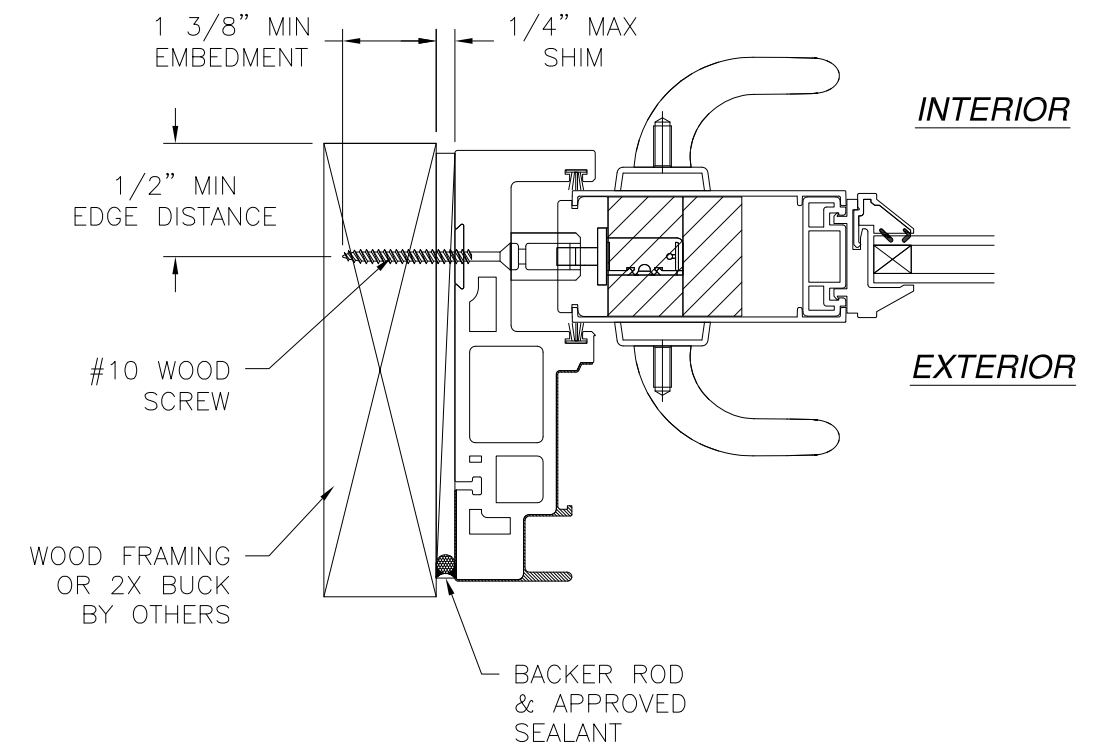
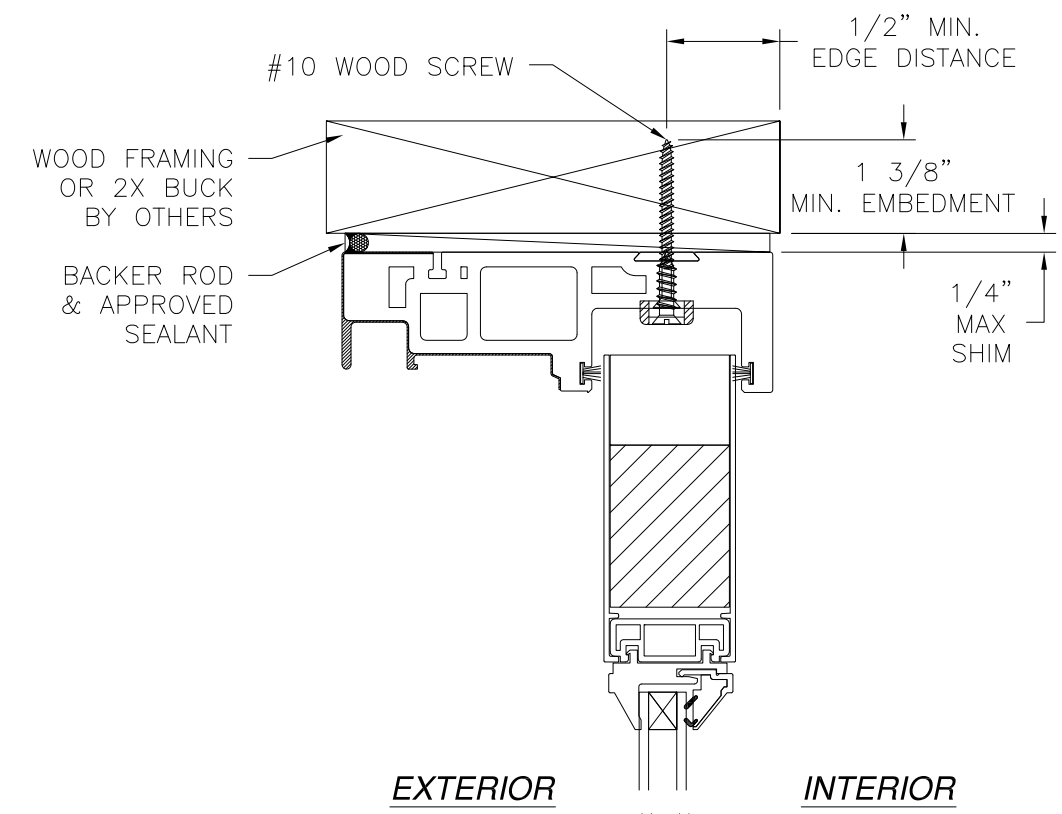
SERIES GLIDING 3 PANEL PATIO DOOR
SLIDING DOOR W/FIELD MULLION NON-IMPACT
SIDELITE INSTALLATION DETAILS

DRAWN: R.L.	DWG NO. 08-02362	REV B
SCALE NTS	DATE 07/07/2014	SHEET 6 OF 9

L. ROBERTO LOMAS P.E.
1432 WOODFORD RD LEWISVILLE, NC 27023
434-688-0609 rllomas@rlomaspe.com

Luis R. Lomas P.E.
FL No.: 62514

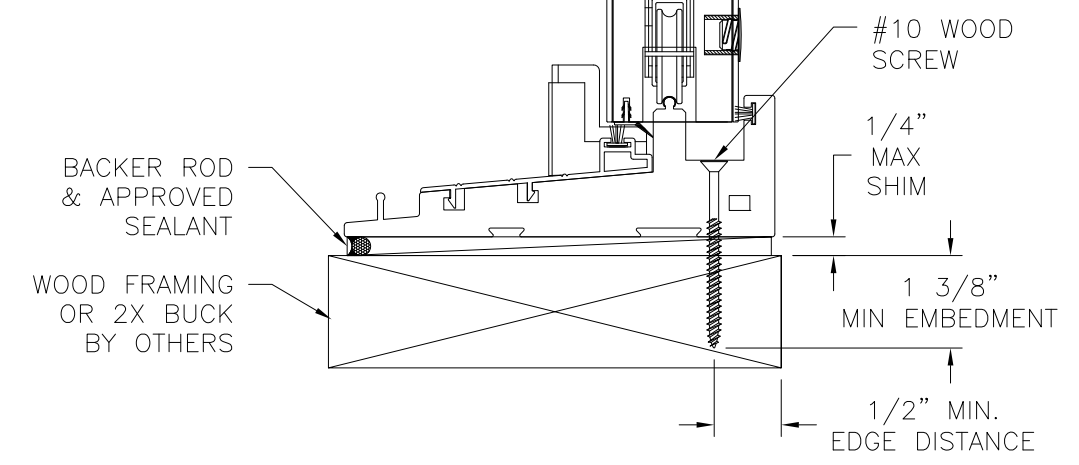
REVISIONS			
REV	DESCRIPTION	DATE	APPROVED
A	REVISED DIMENSIONS	02/18/15	R.L.
B	REVISED PER NEW REQUIREMENTS	09/29/2020	R.L.



DOOR JAMB INSTALLATION DETAIL
WOOD FRAMING OR 2X BUCK INSTALLATION

- NOTES:**
1. INTERIOR AND EXTERIOR FINISHES, BY OTHERS, NOT SHOWN FOR CLARITY.
 2. PERIMETER AND JOINT SEALANT BY OTHERS TO BE DESIGNED IN ACCORDANCE WITH ASTM E2112

SIGNED: 09/29/2020



DOOR VERTICAL CROSS SECTION
WOOD FRAMING OR 2X BUCK INSTALLATION

NAN YA PLASTICS CORP. USA
8989 NORTH LOOP EAST
HOUSTON, TX 77029

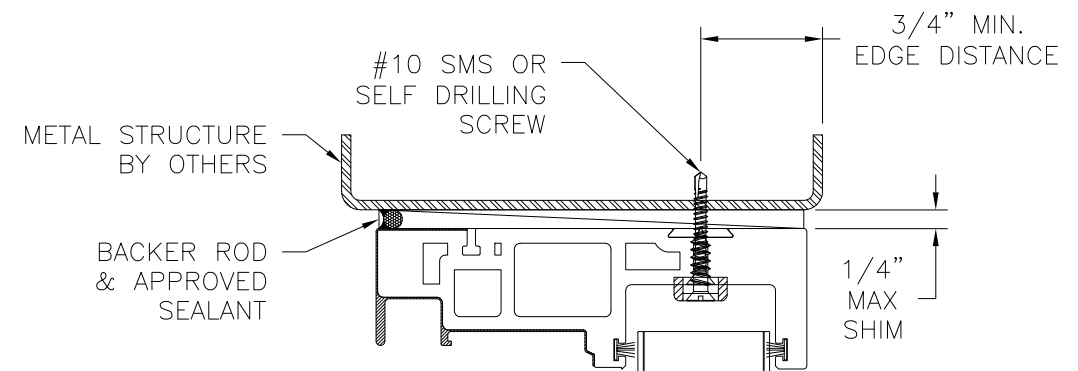
SERIES GLIDING 3 PANEL PATIO DOOR
SLIDING DOOR W/FIELD MULLION NON-IMPACT
DOOR INSTALLATION DETAILS

DRAWN: R.L.	DWG NO. 08-02362	REV B
SCALE NTS	DATE 07/07/2014	SHEET 7 OF 9

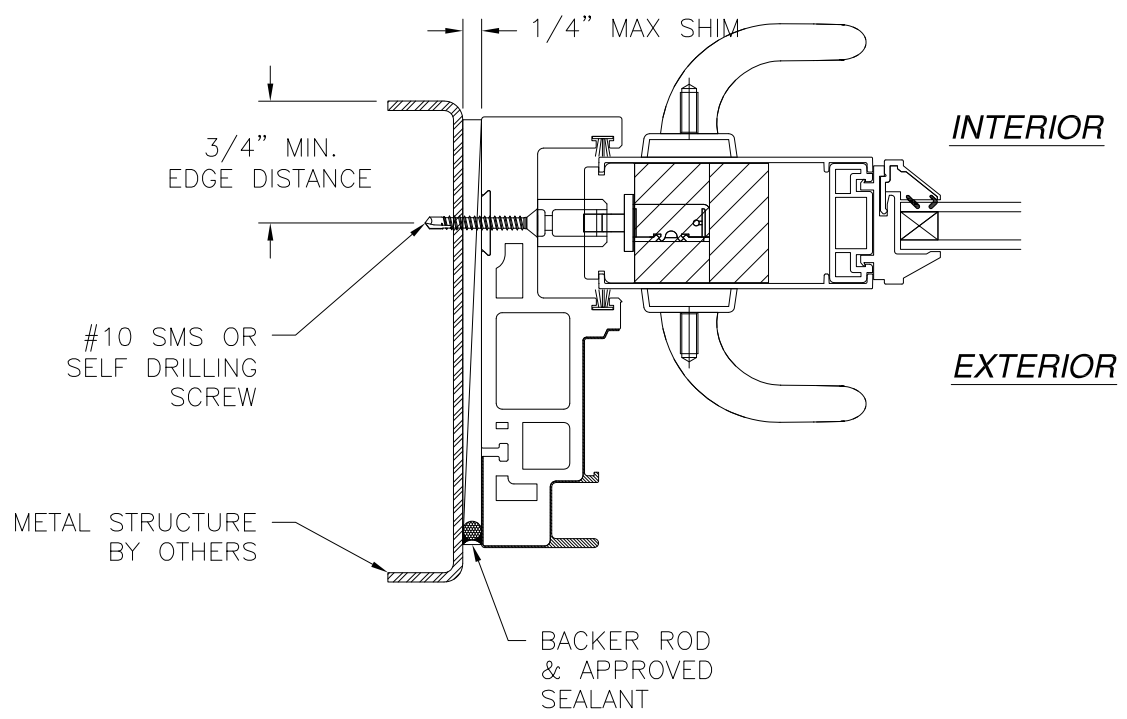
L. ROBERTO LOMAS P.E.
1432 WOODFORD RD LEWISVILLE, NC 27023
434-688-0609 rllomas@rlomaspe.com

Luis R. Lomas P.E.
FL No.: 62514

REVISIONS			
REV	DESCRIPTION	DATE	APPROVED
A	REVISED DIMENSIONS	02/18/15	R.L.
B	REVISED PER NEW REQUIREMENTS	09/29/2020	R.L.

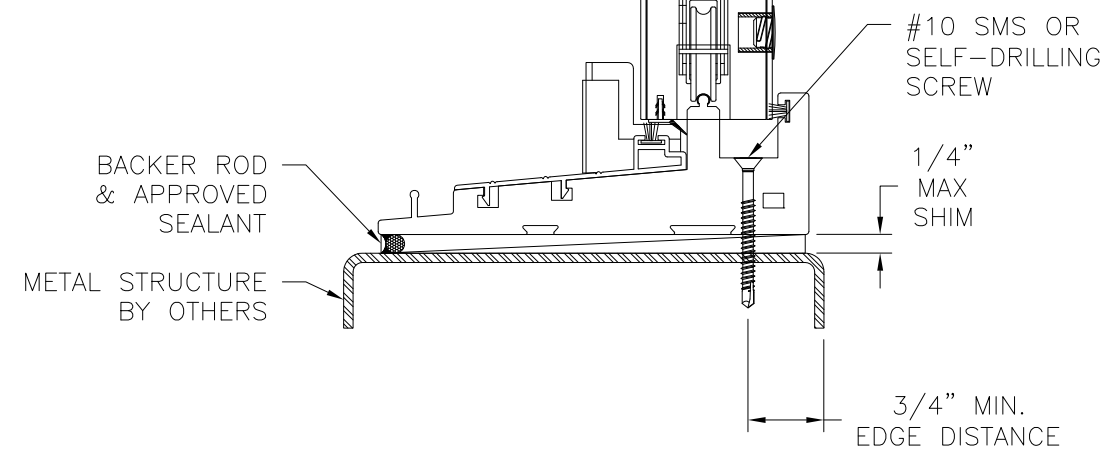


EXTERIOR INTERIOR



DOOR JAMB INSTALLATION DETAIL
METAL STRUCTURE INSTALLATION

NOTES:
 1. INTERIOR AND EXTERIOR FINISHES, BY OTHERS, NOT SHOWN FOR CLARITY.
 2. PERIMETER AND JOINT SEALANT BY OTHERS TO BE DESIGNED IN ACCORDANCE WITH ASTM E2112



DOOR VERTICAL CROSS SECTION
METAL STRUCTURE INSTALLATION

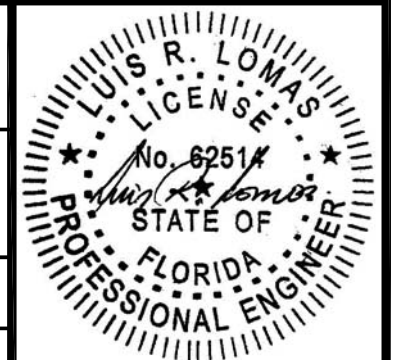
SIGNED: 09/29/2020

NAN YA PLASTICS CORP. USA
 8989 NORTH LOOP EAST
 HOUSTON, TX 77029

SERIES GLIDING 3 PANEL PATIO DOOR
 SLIDING DOOR W/FIELD MULLION NON-IMPACT
 DOOR INSTALLATION DETAILS

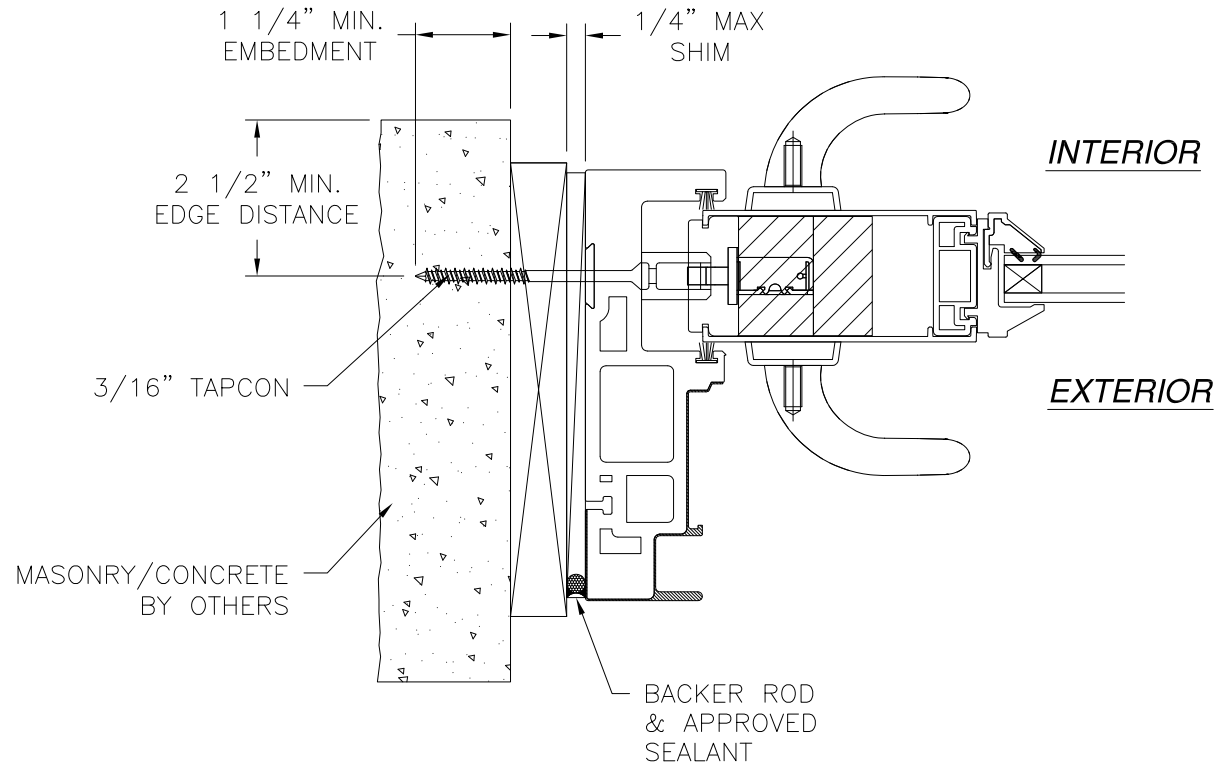
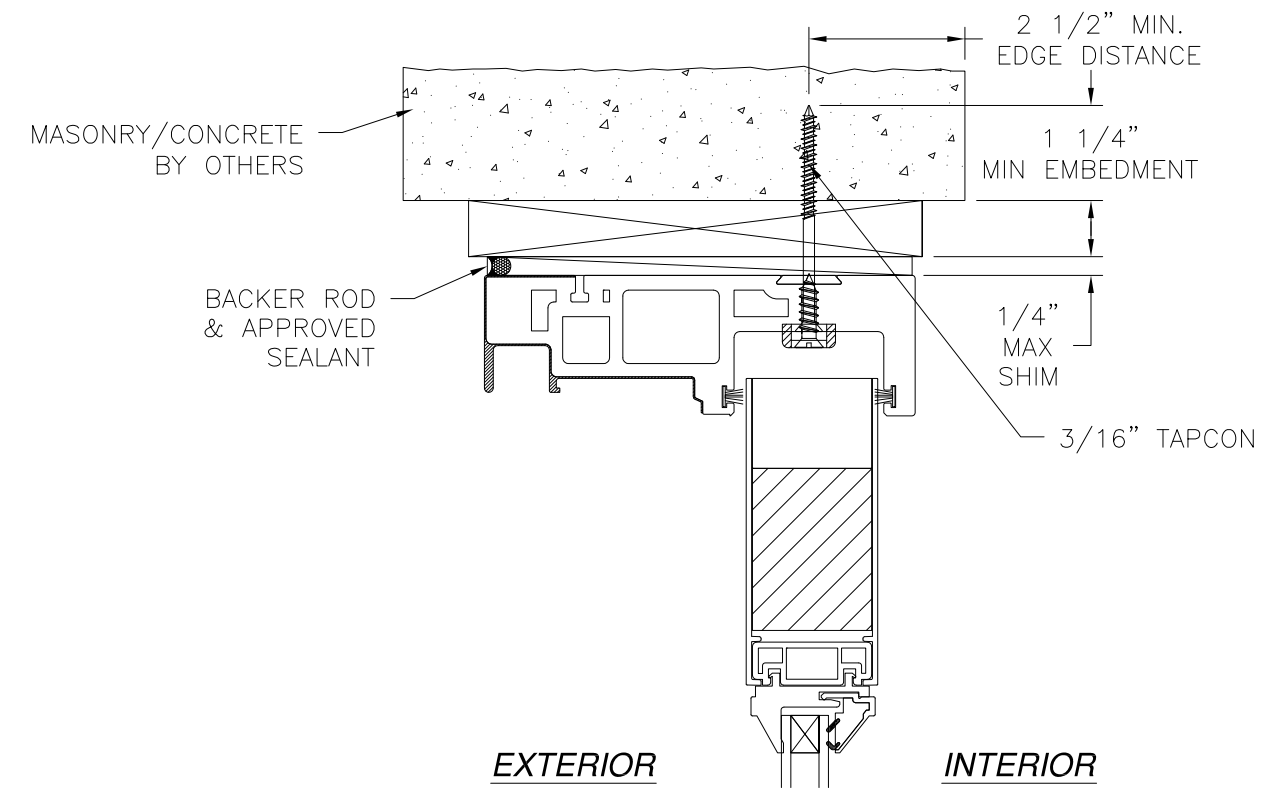
DRAWN: R.L.	DWG NO. 08-02362	REV B
SCALE NTS	DATE 07/07/2014	SHEET 8 OF 9

L. ROBERTO LOMAS P.E.
 1432 WOODFORD RD LEWISVILLE, NC 27023
 434-688-0609 rllomas@rlomaspe.com



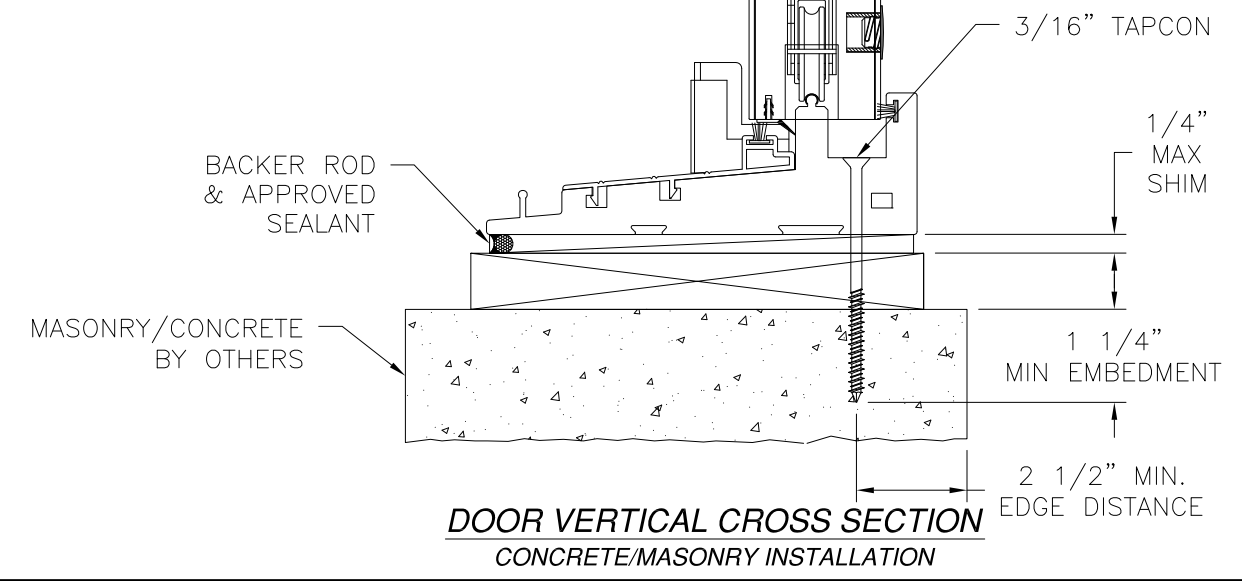
Luis R. Lomas P.E.
 FL No.: 62514

REVISIONS			
REV	DESCRIPTION	DATE	APPROVED
A	REVISED DIMENSIONS	02/18/15	R.L.
B	REVISED PER NEW REQUIREMENTS	09/29/2020	R.L.



DOOR JAMB INSTALLATION DETAIL
CONCRETE/MASONRY INSTALLATION

- NOTES:**
1. INTERIOR AND EXTERIOR FINISHES, BY OTHERS, NOT SHOWN FOR CLARITY.
 2. PERIMETER AND JOINT SEALANT BY OTHERS TO BE DESIGNED IN ACCORDANCE WITH ASTM E2112



DOOR VERTICAL CROSS SECTION
CONCRETE/MASONRY INSTALLATION

SIGNED: 09/29/2020

NAN YA PLASTICS CORP. USA
8989 NORTH LOOP EAST
HOUSTON, TX 77029

SERIES GLIDING 3 PANEL PATIO DOOR
SLIDING DOOR W/FIELD MULLION NON-IMPACT
DOOR INSTALLATION DETAILS

DRAWN: R.L.	DWG NO. 08-02362	REV B
SCALE NTS	DATE 07/07/2014	SHEET 9 OF 9

L. ROBERTO LOMAS P.E.
1432 WOODFORD RD LEWISVILLE, NC 27023
434-688-0609 rllomas@rlomaspe.com

Luis R. Lomas P.E.
FL No.: 62514