

REVISIONS			
REV	DESCRIPTION	DATE	APPROVED

NOTES:

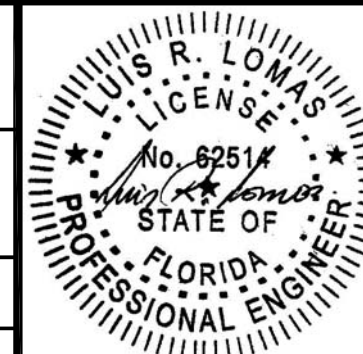
1. THE PRODUCT SHOWN HEREIN IS DESIGNED AND MANUFACTURED TO COMPLY WITH REQUIREMENTS OF THE FLORIDA BUILDING CODE.
2. WOOD FRAMING AND MASONRY OPENING TO BE DESIGNED AND ANCHORED TO PROPERLY TRANSFER ALL LOADS TO STRUCTURE. FRAMING AND MASONRY OPENING IS THE RESPONSIBILITY OF THE ARCHITECT OR ENGINEER OF RECORD.
3. 1X BUCK OVER MASONRY/CONCRETE IS OPTIONAL.
4. WHERE SHIM OR BUCK THICKNESS IS LESS THAN 1-1/2" WINDOW UNITS MUST BE ANCHORED THROUGH THE FRAME IN ACCORDANCE WITH MANUFACTURER'S PUBLISHED INSTALLATION INSTRUCTIONS. ANCHORS SHALL BE SECURELY FASTENED DIRECTLY INTO MASONRY, CONCRETE OR OTHER STRUCTURAL SUBSTRATE MATERIAL.
5. WHERE WOOD BUCK THICKNESS IS 1-1/2" OR GREATER, BUCK SHALL BE SECURELY FASTENED TO MASONRY, CONCRETE OR OTHER STRUCTURAL SUBSTRATE. WINDOW UNITS MAY BE ANCHORED THROUGH FRAME TO SECURED WOOD BUCK IN ACCORDANCE WITH MANUFACTURER'S PUBLISHED INSTALLATION INSTRUCTIONS.
6. WHERE 1X BUCK IS NOT USED DISSIMILAR MATERIALS MUST BE SEPARATED WITH APPROVED COATING OR MEMBRANE. SELECTION OF COATING OR MEMBRANE IS THE RESPONSIBILITY OF THE ARCHITECT OR ENGINEER OF RECORD.
7. BUCKS SHALL EXTEND BEYOND WINDOW INTERIOR FACE SO THAT FULL FRAME SUPPORT IS PROVIDED.
8. SHIM AS REQUIRED AT EACH ANCHOR LOCATION WITH LOAD BEARING SHIM. SHIM WHERE SPACE OF 1/16" OR GREATER OCCURS. MAXIMUM ALLOWABLE SHIM STACK TO BE 1/4".
9. SHIMS SHALL BE LOCATED, APPLIED AND MADE FROM MATERIALS AND THICKNESS CAPABLE OF SUSTAINING APPLICABLE LOADS.
10. WIND LOAD DURATION FACTOR Cd=1.6 WAS USED FOR WOOD ANCHOR CALCULATIONS.
11. FRAME MATERIAL: FOAM PVC CO-EX.
12. UNITS MUST BE GLAZED PER ASTM E1300-04/09, SEE SHEET 2 FOR GLASS DETAILS.
13. APPROVED IMPACT PROTECTIVE SYSTEM IS NOT REQUIRED FOR THIS PRODUCT IN WIND BORNE DEBRIS REGIONS.
14. FOR ANCHORING THROUGH FRAME INTO WOOD FRAMING OR 2X BUCK USE #10 WOOD SCREWS WITH SUFFICIENT LENGTH TO ACHIEVE A 1 1/4" MINIMUM EMBEDMENT INTO SUBSTRATE. LOCATE ANCHORS AS SHOWN IN ELEVATIONS AND INSTALLATION DETAILS.
15. FOR ANCHORING THROUGH FRAME INTO MASONRY/CONCRETE USE 1/4" ELCO CRETE-FLEX

- WITH SUFFICIENT LENGTH TO ACHIEVE A 1 1/4" MINIMUM EMBEDMENT INTO SUBSTRATE WITH 2 1/2" MINIMUM EDGE DISTANCE. LOCATE ANCHORS AS SHOWN IN ELEVATIONS AND INSTALLATION DETAILS.
16. FOR ANCHORING THROUGH FRAME INTO METAL STRUCTURE USE #10 SMS OR SELF DRILLING SCREWS WITH SUFFICIENT LENGTH TO ACHIEVE 3 THREADS MINIMUM BEYOND STRUCTURE INTERIOR WALL. LOCATE ANCHORS AS SHOWN IN ELEVATIONS AND INSTALLATION DETAILS.
 17. ALL FASTENERS TO BE CORROSION RESISTANT.
 18. INSTALLATION ANCHORS SHALL BE INSTALLED IN ACCORDANCE WITH ANCHOR MANUFACTURER'S INSTALLATION INSTRUCTIONS AND ANCHORS SHALL NOT BE USED IN SUBSTRATES WITH STRENGTHS LESS THAN THE MINIMUM STRENGTH SPECIFIED BELOW:
 - A. WOOD: MINIMUM SPECIFIC GRAVITY OF G=0.42
 - B. CONCRETE: MINIMUM COMPRESSIVE STRENGTH OF 2,000 PSI.
 - C. MASONRY: HOLLOW/FILLED BLOCK PER ASTM C90 WITH Fm=2,000PSI MINIMUM.
 - D. METAL STRUCTURE: STEEL 18GA (.048") FY=33KSI/FU=52KSI OR ALUMINUM 6063-T5 FU=30KSI .075" THICK MINIMUM
 19. APPROVED CONFIGURATIONS: OXX, XXO, XX, OX, XO

SIGNED: 07/06/2017

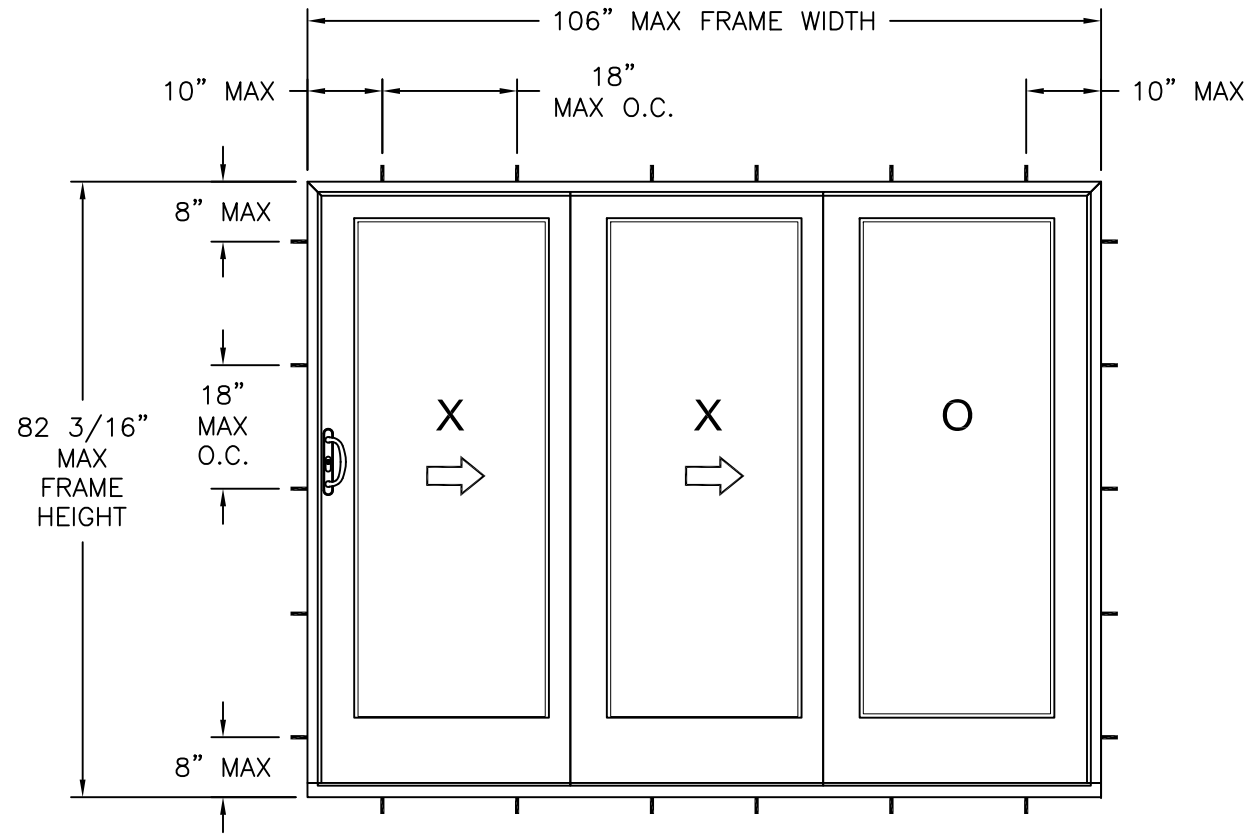
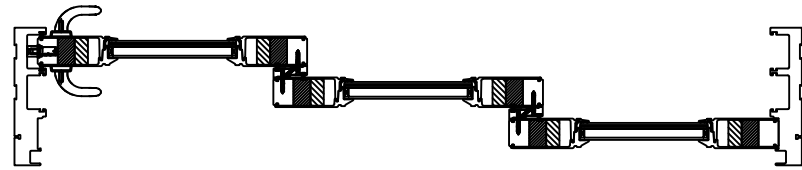
TABLE OF CONTENTS	
SHEET NO.	DESCRIPTION
1	NOTES
2	ELEVATION AND GLASS DETAILS
3 - 5	INSTALLATION DETAILS
6	COMPONENTS

<p>NAN YA PLASTICS CORPORATION USA 8989 NORTH LOOP EAST, SUITE 800 HOUSTON, TX 77029</p>		
<p>SERIES LPS GLIDING PATIO DOOR GLAZED FIBERGLASS SGD W/SILL RISER & BUBBLE COVER NOTES</p>		
DRAWN: A.R.	DWG NO. 08-03118	REV -
SCALE NTS	DATE 06/15/17	SHEET 1 OF 6
<p>L. ROBERTO LOMAS P.E. 1432 WOODFORD RD LEWISVILLE, NC 27023 434-688-0609 rllomas@lrlomaspe.com</p>		

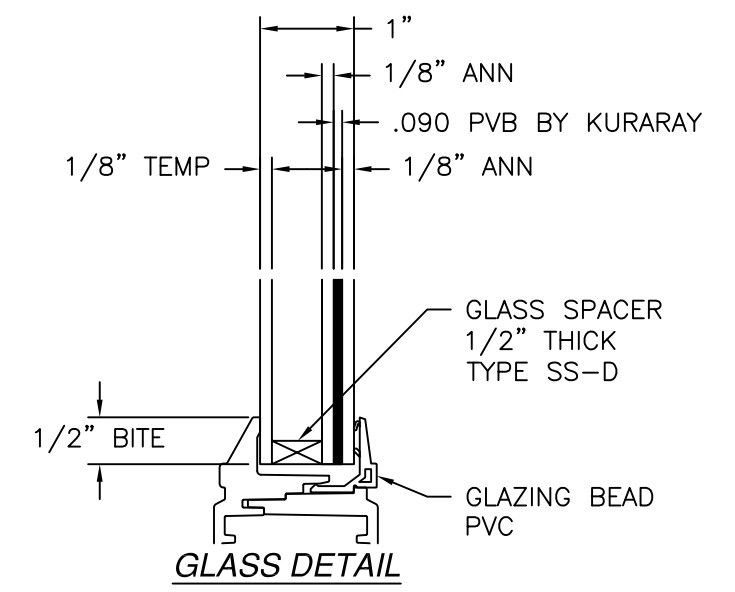


Luis R. Lomas P.E.
FL No.: 62514

REVISIONS			
REV	DESCRIPTION	DATE	APPROVED



NOTES:
 1. MAXIMUM PANEL SIZE: 35 3/4" x 79 1/4"
 2. MAXIMUM D.L.O.: 26 1/4" x 66"



LPS GLIDING PATIO DOOR

WITH STANDARD SILL		WITH SILL RISER	
DESIGN PRESSURE RATING	IMPACT RATING	DESIGN PRESSURE RATING	IMPACT RATING
+40.0/-50.0PSF	LARGE MISSILE IMPACT	±50PSF	LARGE MISSILE IMPACT
MISSILE LEVEL D, WIND ZONE 4		MISSILE LEVEL D, WIND ZONE 4	

WITH SILL RISER AND BUBBLE COVER	
DESIGN PRESSURE RATING	IMPACT RATING
±50PSF	LARGE MISSILE IMPACT
MISSILE LEVEL D, WIND ZONE 4	

SIGNED: 07/06/2017

NAN YA PLASTICS CORPORATION USA
 8989 NORTH LOOP EAST, SUITE 800
 HOUSTON, TX 77029

SERIES LPS GLIDING PATIO DOOR GLAZED
 FIBERGLASS SGD W/SILL RISER & BUBBLE COVER
 ELEVATION AND GLASS DETAILS

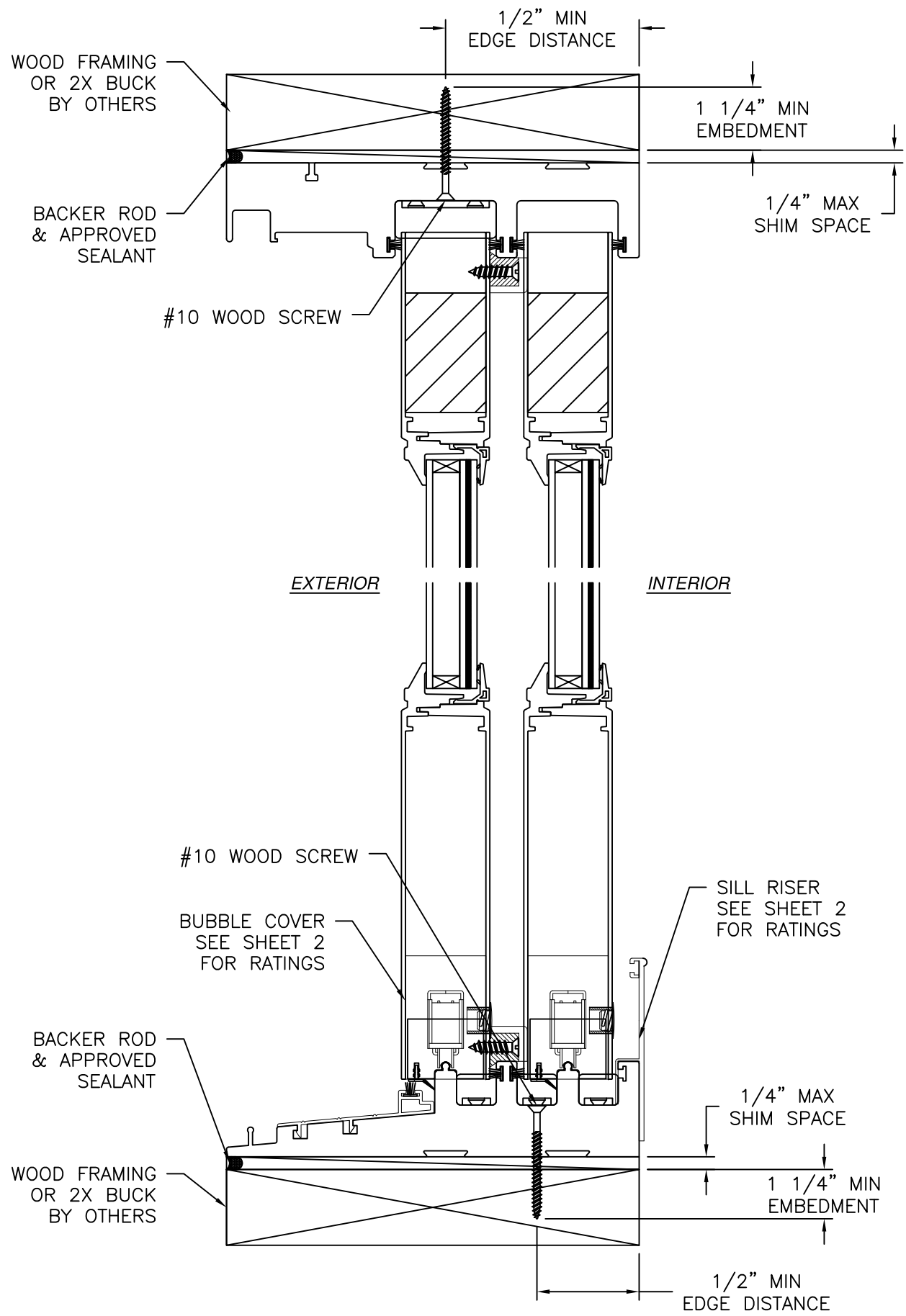
DRAWN: A.R.	DWG NO. 08-03118	REV -
SCALE NTS	DATE 06/15/17	SHEET 2 OF 6

L. ROBERTO LOMAS P.E.
 1432 WOODFORD RD LEWISVILLE, NC 27023
 434-688-0609 rllomas@rlomaspe.com

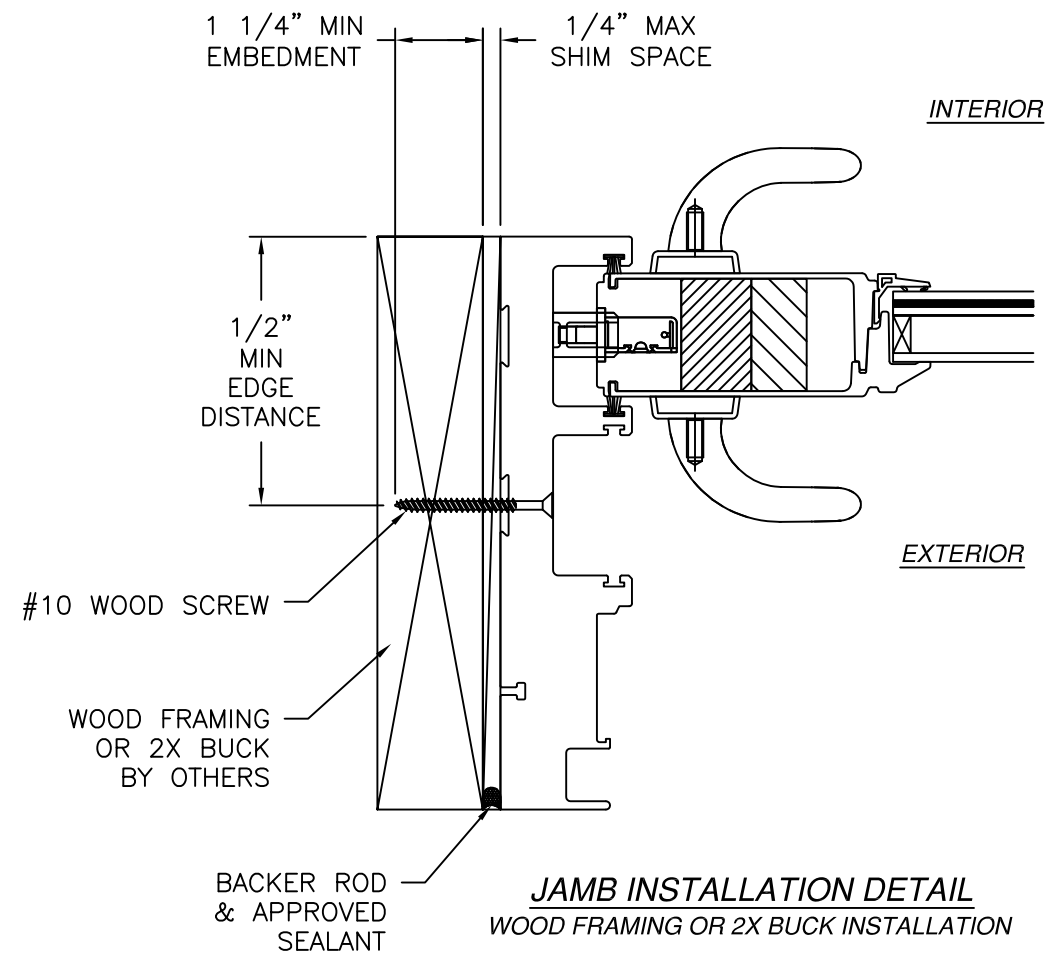
Luis R. Lomas P.E.
 FL No.: 62514

HARDWARE SCHEDULE	
A.	(1) SINGLE LOCK (STAINLESS STEEL, DIE STEEL) AT 37 1/2" FROM FRAME SILL
B.	(1) LOCK KEEPER (STAINLESS STEEL) AT EACH LOCKING POINT LOCATION
C.	(1) HANDLE SET (DIE CASTING) AT ACTIVE PANEL
D.	(4) ADJUSTABLE ROLLER AT EACH END OF BOTTOM RAIL

REVISIONS			
REV	DESCRIPTION	DATE	APPROVED



VERTICAL CROSS SECTION
WOOD FRAMING OR 2X BUCK INSTALLATION



JAMB INSTALLATION DETAIL
WOOD FRAMING OR 2X BUCK INSTALLATION

- NOTES:
1. INTERIOR AND EXTERIOR FINISHES, BY OTHERS, NOT SHOWN FOR CLARITY.
 2. PERIMETER AND JOINT SEALANT BY OTHERS TO BE DESIGNED IN ACCORDANCE WITH ASTM E2112

SIGNED: 07/06/2017

NAN YA PLASTICS CORPORATION USA
8989 NORTH LOOP EAST, SUITE 800
HOUSTON, TX 77029

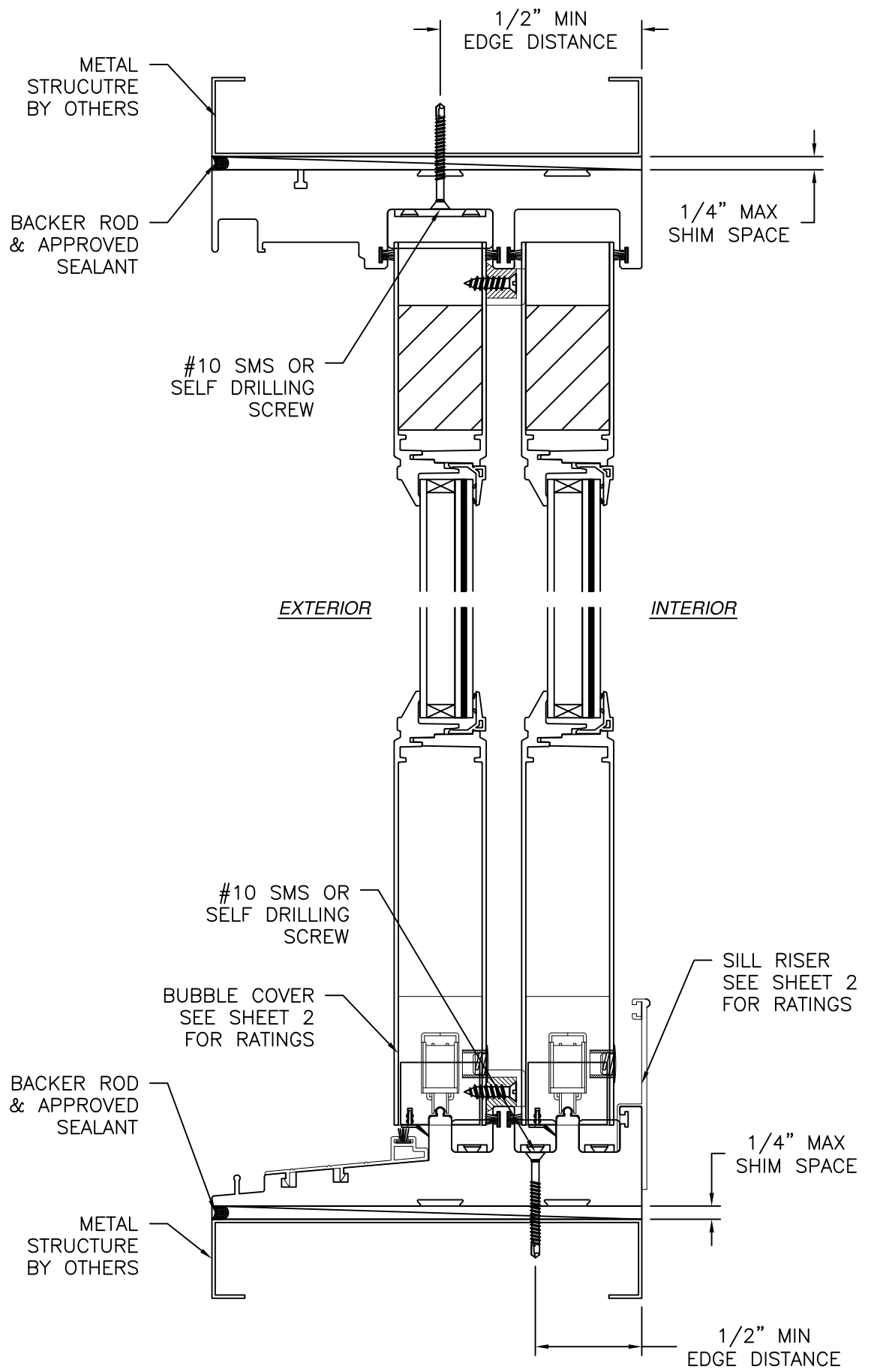
SERIES LPS GLIDING PATIO DOOR GLAZED
FIBERGLASS SGD W/SILL RISER & BUBBLE COVER
INSTALLATION DETAILS

DRAWN: A.R.	DWG NO. 08-03118	REV -
SCALE NTS	DATE 06/15/17	SHEET 3 OF 6

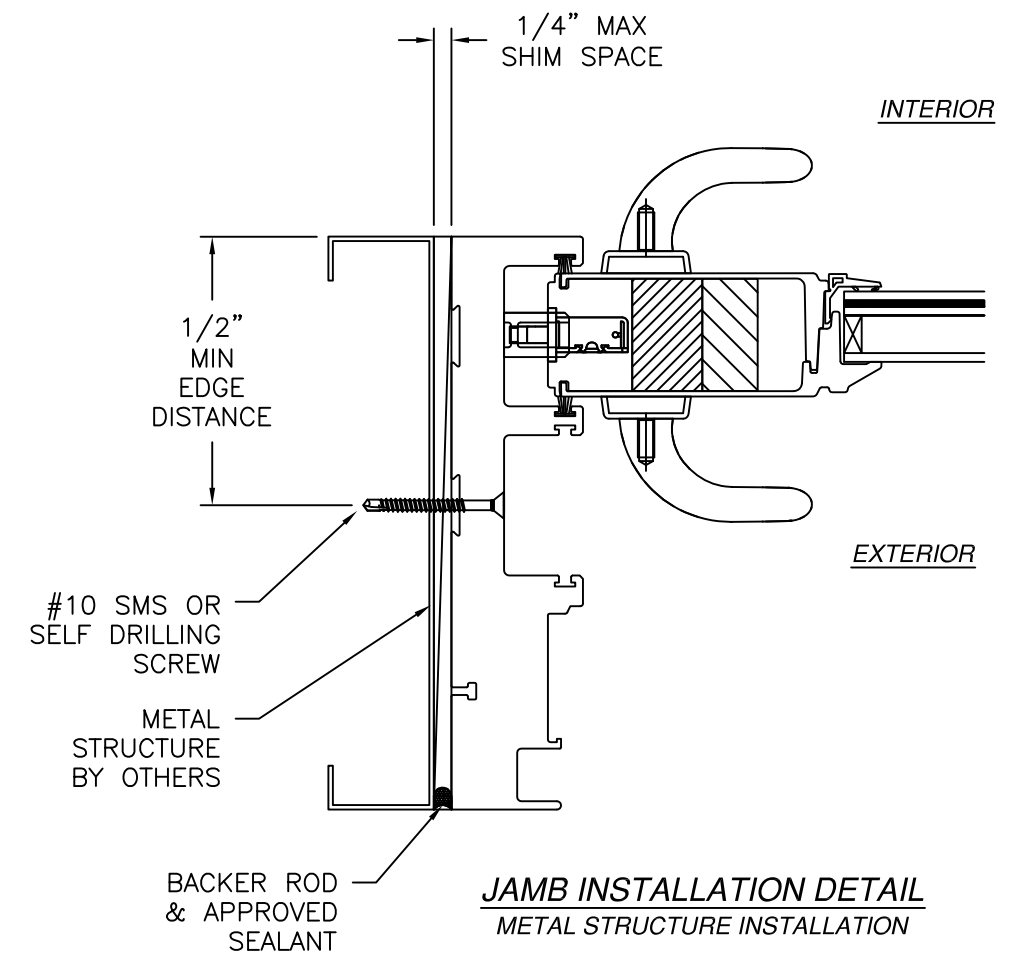
L. ROBERTO LOMAS P.E.
1432 WOODFORD RD LEWISVILLE, NC 27023
434-688-0609 rllomas@rlomaspe.com

Luis R. Lomas P.E.
FL No.: 62514

REVISIONS			
REV	DESCRIPTION	DATE	APPROVED



VERTICAL CROSS SECTION
METAL STRUCTURE INSTALLATION



JAMB INSTALLATION DETAIL
METAL STRUCTURE INSTALLATION

- NOTES:
1. INTERIOR AND EXTERIOR FINISHES, BY OTHERS, NOT SHOWN FOR CLARITY.
 2. PERIMETER AND JOINT SEALANT BY OTHERS TO BE DESIGNED IN ACCORDANCE WITH ASTM E2112

SIGNED: 07/06/2017

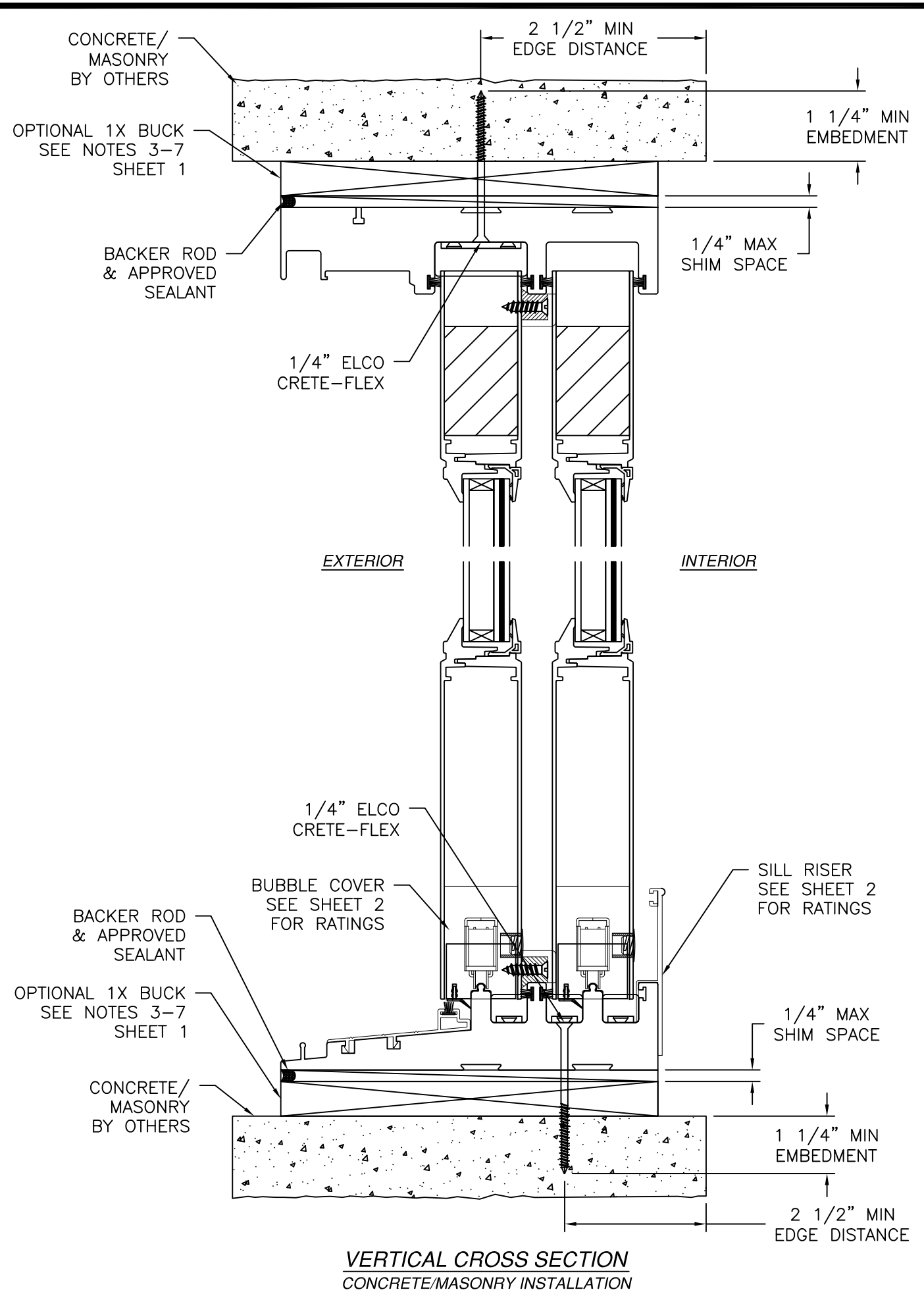
NAN YA PLASTICS CORPORATION USA
8989 NORTH LOOP EAST, SUITE 800
HOUSTON, TX 77029

SERIES LPS GLIDING PATIO DOOR GLAZED
FIBERGLASS SGD W/SILL RISER & BUBBLE COVER
INSTALLATION DETAILS

DRAWN: A.R.	DWG NO. 08-03118	REV -
SCALE NTS	DATE 06/15/17	SHEET 4 OF 6

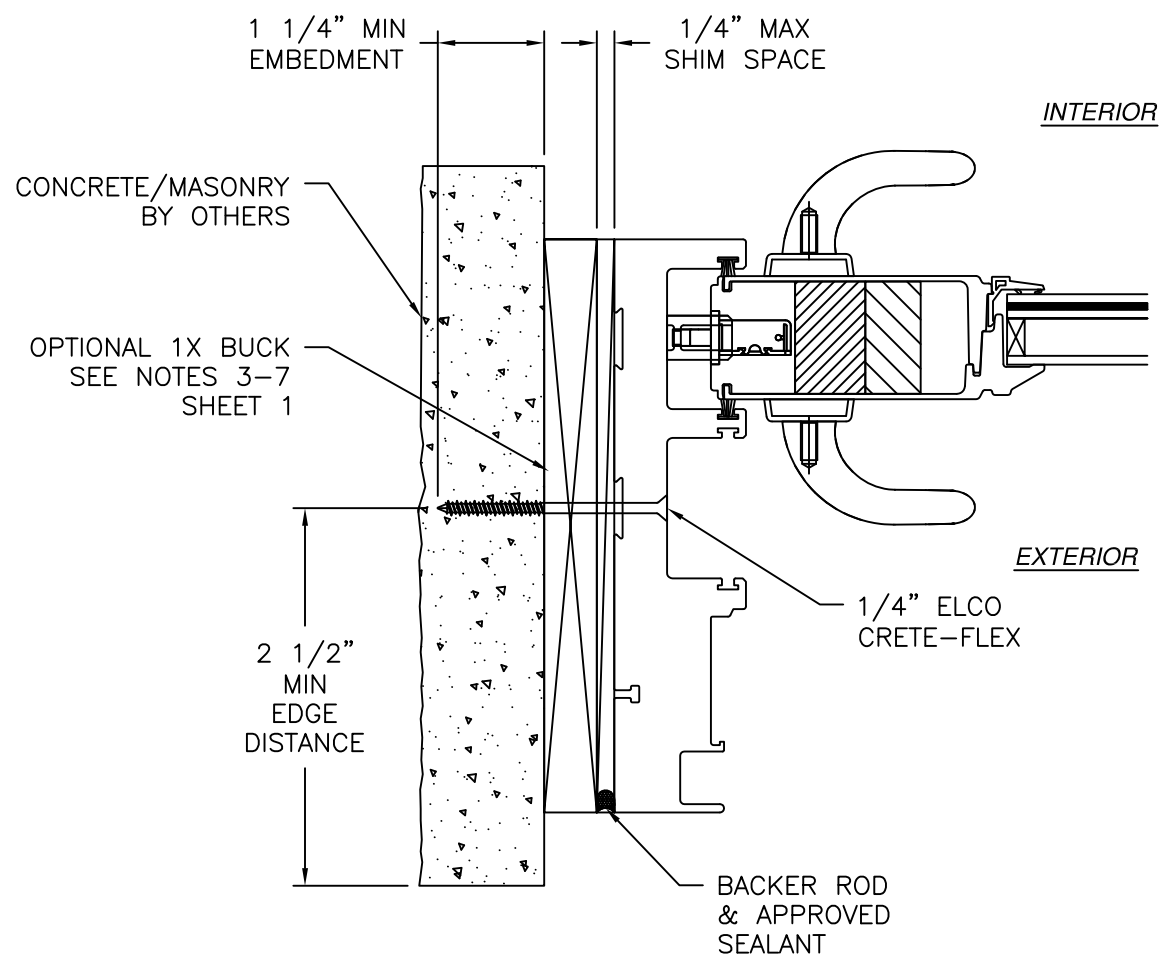
L. ROBERTO LOMAS P.E.
1432 WOODFORD RD LEWISVILLE, NC 27023
434-688-0609 rllomas@rlomaspe.com

Luis R. Lomas P.E.
FL No.: 62514



VERTICAL CROSS SECTION
CONCRETE/MASONRY INSTALLATION

REVISIONS			
REV	DESCRIPTION	DATE	APPROVED



JAMB INSTALLATION DETAIL
CONCRETE/MASONRY INSTALLATION

- NOTES:**
- INTERIOR AND EXTERIOR FINISHES, BY OTHERS, NOT SHOWN FOR CLARITY.
 - PERIMETER AND JOINT SEALANT BY OTHERS TO BE DESIGNED IN ACCORDANCE WITH ASTM E2112

SIGNED: 07/06/2017

NAN YA PLASTICS CORPORATION USA
8989 NORTH LOOP EAST, SUITE 800
HOUSTON, TX 77029

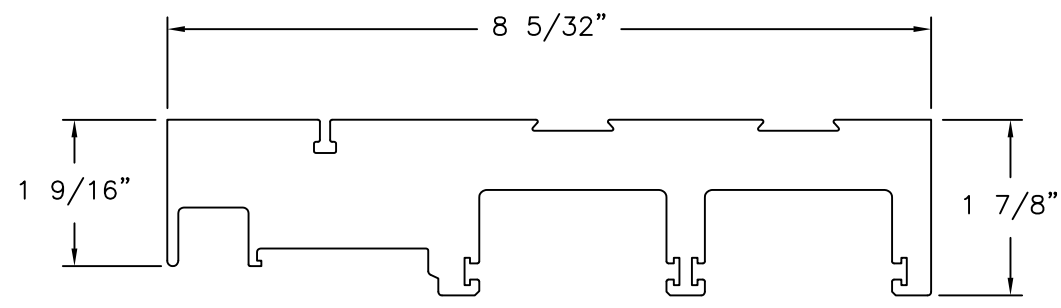
SERIES LPS GLIDING PATIO DOOR GLAZED
FIBERGLASS SGD W/SILL RISER & BUBBLE COVER
INSTALLATION DETAILS

DRAWN: A.R.	DWG NO. 08-03118	REV -
SCALE NTS	DATE 06/15/17	SHEET 5 OF 6

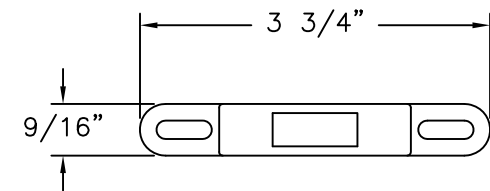
L. ROBERTO LOMAS P.E.
1432 WOODFORD RD LEWISVILLE, NC 27023
434-688-0609 rllomas@rlomaspe.com

Luis R. Lomas P.E.
FL No.: 62514

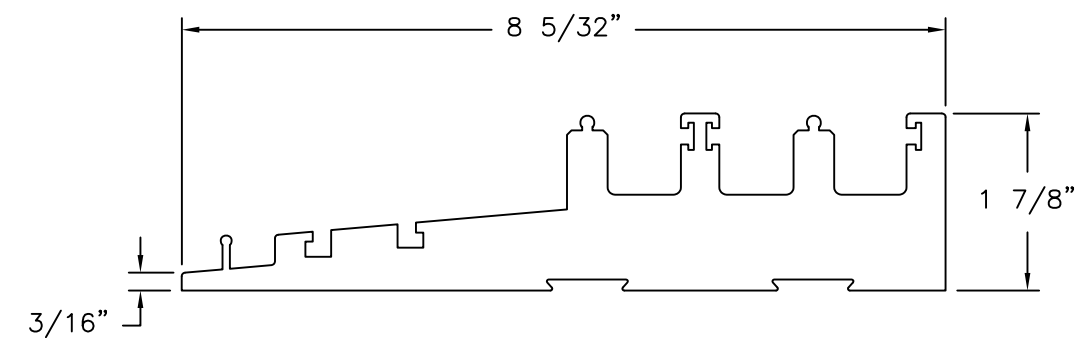
REVISIONS			
REV	DESCRIPTION	DATE	APPROVED



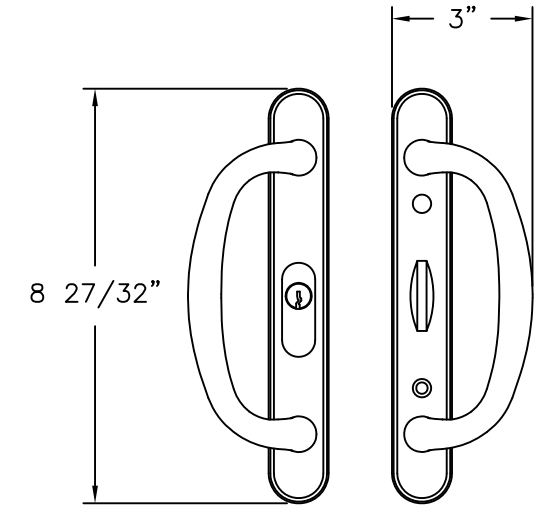
FRAME HEAD & JAMB
FOAM PVC CO-EX



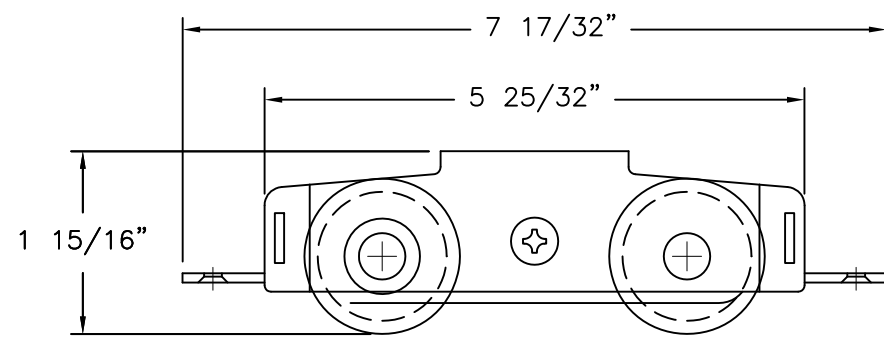
LOCK KEEPER
STAINLESS STEEL



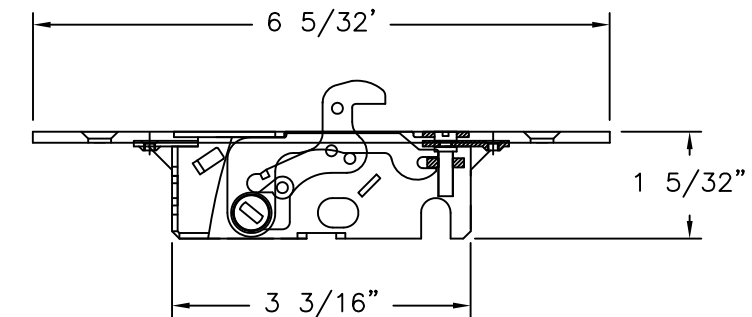
SILL
FOAM PVC



HANDLE SET
DIE CASTING



ADJUSTABLE ROLLER
STAINLESS STEEL



SINGLE LOCK
STAINLESS STEEL, DIE STEEL

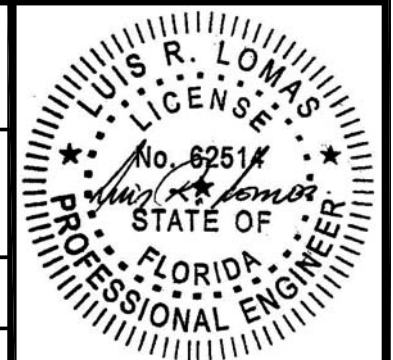
NAN YA PLASTICS CORPORATION USA
8989 NORTH LOOP EAST, SUITE 800
HOUSTON, TX 77029

SERIES LPS GLIDING PATIO DOOR GLAZED
FIBERGLASS SGD W/SILL RISER & BUBBLE COVER
COMPONENTS

DRAWN: A.R.	DWG NO. 08-03118	REV -
SCALE NTS	DATE 06/15/17	SHEET 6 OF 6

L. ROBERTO LOMAS P.E.
1432 WOODFORD RD LEWISVILLE, NC 27023
434-688-0609 rllomas@rlomaspe.com

SIGNED: 07/06/2017



Luis R. Lomas P.E.
FL No.: 62514