

REVISIONS			
REV	DESCRIPTION	DATE	APPROVED

NOTES:

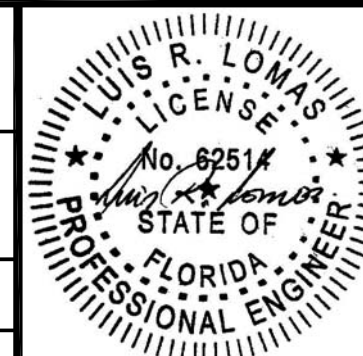
1. THE PRODUCT SHOWN HEREIN IS DESIGNED AND MANUFACTURED TO COMPLY WITH REQUIREMENTS OF THE FLORIDA BUILDING CODE.
2. WOOD FRAMING AND MASONRY OPENING TO BE DESIGNED AND ANCHORED TO PROPERLY TRANSFER ALL LOADS TO STRUCTURE. FRAMING AND MASONRY OPENING IS THE RESPONSIBILITY OF THE ARCHITECT OR ENGINEER OF RECORD.
3. 1X BUCK OVER MASONRY/CONCRETE IS OPTIONAL.
4. WHERE SHIM OR BUCK THICKNESS IS LESS THAN 1-1/2" WINDOW UNITS MUST BE ANCHORED THROUGH THE FRAME IN ACCORDANCE WITH MANUFACTURER'S PUBLISHED INSTALLATION INSTRUCTIONS. ANCHORS SHALL BE SECURELY FASTENED DIRECTLY INTO MASONRY, CONCRETE OR OTHER STRUCTURAL SUBSTRATE MATERIAL.
5. WHERE WOOD BUCK THICKNESS IS 1-1/2" OR GREATER, BUCK SHALL BE SECURELY FASTENED TO MASONRY, CONCRETE OR OTHER STRUCTURAL SUBSTRATE. WINDOW UNITS MAY BE ANCHORED THROUGH FRAME TO SECURED WOOD BUCK IN ACCORDANCE WITH MANUFACTURER'S PUBLISHED INSTALLATION INSTRUCTIONS.
6. WHERE 1X BUCK IS NOT USED DISSIMILAR MATERIALS MUST BE SEPARATED WITH APPROVED COATING OR MEMBRANE. SELECTION OF COATING OR MEMBRANE IS THE RESPONSIBILITY OF THE ARCHITECT OR ENGINEER OF RECORD.
7. BUCKS SHALL EXTEND BEYOND WINDOW INTERIOR FACE SO THAT FULL FRAME SUPPORT IS PROVIDED.
8. SHIM AS REQUIRED AT EACH ANCHOR LOCATION WITH LOAD BEARING SHIM. SHIM WHERE SPACE OF 1/16" OR GREATER OCCURS. MAXIMUM ALLOWABLE SHIM STACK TO BE 1/4".
9. SHIMS SHALL BE LOCATED, APPLIED AND MADE FROM MATERIALS AND THICKNESS CAPABLE OF SUSTAINING APPLICABLE LOADS.
10. WIND LOAD DURATION FACTOR Cd=1.6 WAS USED FOR WOOD ANCHOR CALCULATIONS.
11. FRAME MATERIAL: FOAM PVC CO-EX.
12. UNITS MUST BE GLAZED PER ASTM E1300-04/09 WITH SAFETY GLAZING.
13. APPROVED IMPACT PROTECTIVE SYSTEM IS REQUIRED FOR THIS PRODUCT IN WIND BORNE DEBRIS REGIONS.
14. FOR ANCHORING THROUGH FRAME INTO WOOD FRAMING OR 2X BUCK USE #10 WOOD SCREWS WITH SUFFICIENT LENGTH TO ACHIEVE A 1 1/4" MINIMUM EMBEDMENT INTO SUBSTRATE. LOCATE ANCHORS AS SHOWN IN ELEVATIONS AND INSTALLATION DETAILS.
15. FOR ANCHORING THROUGH FRAME INTO MASONRY/CONCRETE USE 1/4" ELCO CRETE-FLEX

- WITH SUFFICIENT LENGTH TO ACHIEVE A 1 1/4" MINIMUM EMBEDMENT INTO SUBSTRATE WITH 2 1/2" MINIMUM EDGE DISTANCE. LOCATE ANCHORS AS SHOWN IN ELEVATIONS AND INSTALLATION DETAILS.
16. FOR ANCHORING THROUGH FRAME INTO METAL STRUCTURE USE #10 SMS OR SELF DRILLING SCREWS WITH SUFFICIENT LENGTH TO ACHIEVE 3 THREADS MINIMUM BEYOND STRUCTURE INTERIOR WALL. LOCATE ANCHORS AS SHOWN IN ELEVATIONS AND INSTALLATION DETAILS.
  17. ALL FASTENERS TO BE CORROSION RESISTANT.
  18. INSTALLATION ANCHORS SHALL BE INSTALLED IN ACCORDANCE WITH ANCHOR MANUFACTURER'S INSTALLATION INSTRUCTIONS AND ANCHORS SHALL NOT BE USED IN SUBSTRATES WITH STRENGTHS LESS THAN THE MINIMUM STRENGTH SPECIFIED BELOW:
    - A. WOOD: MINIMUM SPECIFIC GRAVITY OF G=0.42
    - B. CONCRETE: MINIMUM COMPRESSIVE STRENGTH OF 2,000 PSI.
    - C. MASONRY: HOLLOW/FILLED BLOCK PER ASTM C90 WITH Fm=2,000PSI MINIMUM.
    - D. METAL STRUCTURE: STEEL 18GA (.048") FY=33KSI/FU=52KSI OR ALUMINUM 6063-T5 FU=30KSI .075" THICK MINIMUM
  19. APPROVED CONFIGURATIONS: OXX, XXO, XX, OX, XO.

SIGNED: 07/06/2017

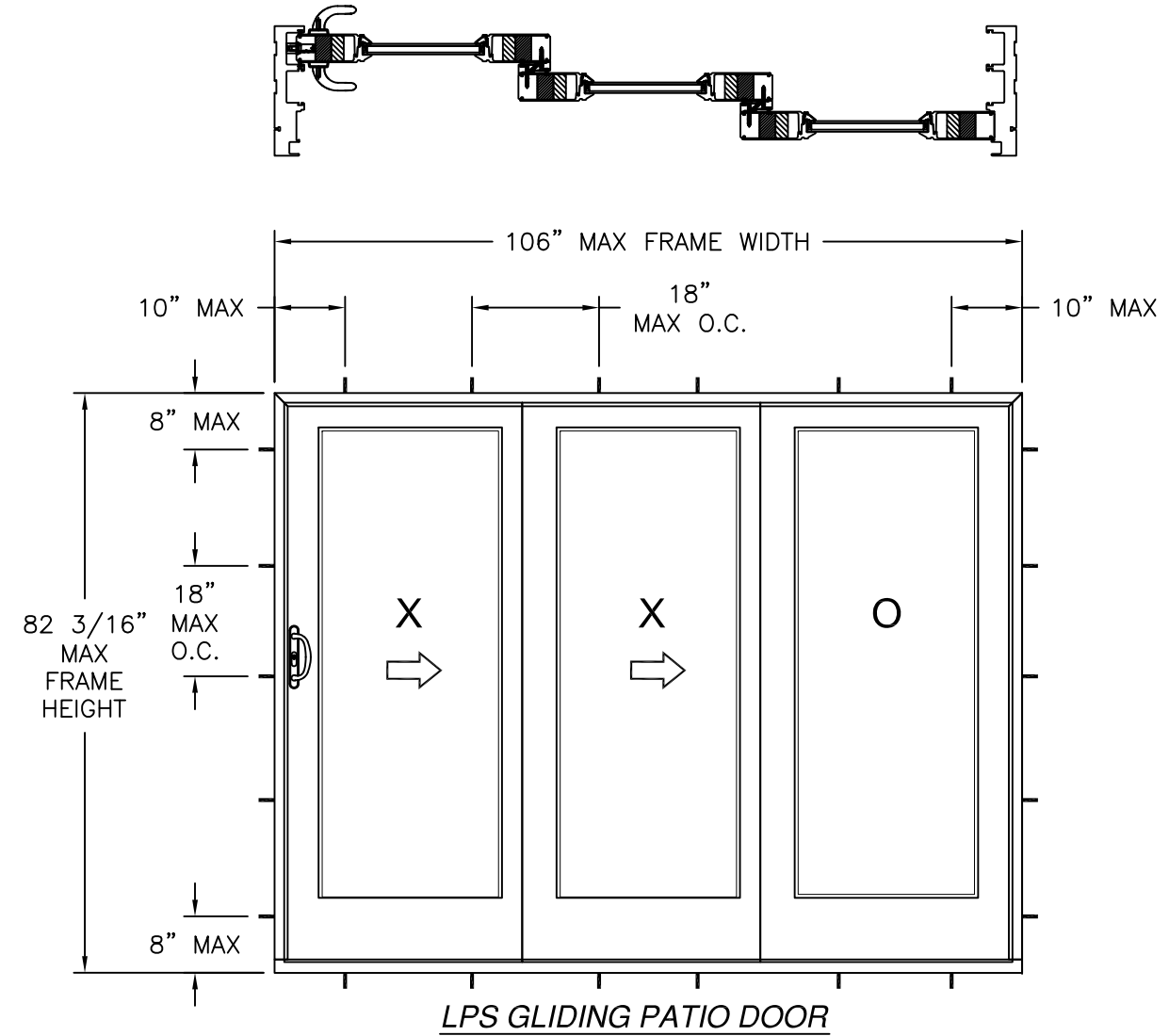
TABLE OF CONTENTS	
SHEET NO.	DESCRIPTION
1	NOTES
2	ELEVATION AND GLASS DETAILS
3 - 5	INSTALLATION DETAILS
6	COMPONENTS

<p>NAN YA PLASTICS CORPORATION USA          8989 NORTH LOOP EAST, SUITE 800          HOUSTON, TX 77029</p>		
<p>SERIES LPS GLIDING PATIO DOOR GLAZED          FIBERGLASS SGD W/SILL RISER &amp; BUBBLE COVER          NOTES</p>		
DRAWN: A.R.	DWG NO. 08-03119	REV -
SCALE NTS	DATE 06/15/17	SHEET 1 OF 6
<p>L. ROBERTO LOMAS P.E.          1432 WOODFORD RD LEWISVILLE, NC 27023          434-688-0609 rllomas@rlomaspe.com</p>		



Luis R. Lomas P.E.  
 FL No.: 62514

REVISIONS			
REV	DESCRIPTION	DATE	APPROVED



NOTES:  
 1. MAXIMUM PANEL SIZE: 35 3/4" x 79 1/4"  
 2. MAXIMUM D.L.O.: 26 1/4" x 66"

WITH STANDARD SILL		WITH SILL RISER	
DESIGN PRESSURE RATING	IMPACT RATING	DESIGN PRESSURE RATING	IMPACT RATING
+40.0/-50.0PSF	NONE	±50.0PSF	NONE

WITH SILL RISER AND BUBBLE COVER	
DESIGN PRESSURE RATING	IMPACT RATING
±50.0PSF	NONE

HARDWARE SCHEDULE	
A.	(1) SINGLE LOCK (STAINLESS STEEL, DIE STEEL) AT 37 1/2" FROM FRAME SILL
B.	(1) LOCK KEEPER (STAINLESS STEEL) AT EACH LOCKING POINT LOCATION
C.	(1) HANDLE SET (DIE CASTING) AT ACTIVE PANEL
D.	(4) ADJUSTABLE ROLLER AT EACH END OF BOTTOM RAIL

**NAN YA PLASTICS CORPORATION USA**  
 8989 NORTH LOOP EAST, SUITE 800  
 HOUSTON, TX 77029

SERIES LPS GLIDING PATIO DOOR GLAZED  
 FIBERGLASS SGD W/SILL RISER & BUBBLE COVER  
 ELEVATION AND GLASS DETAILS

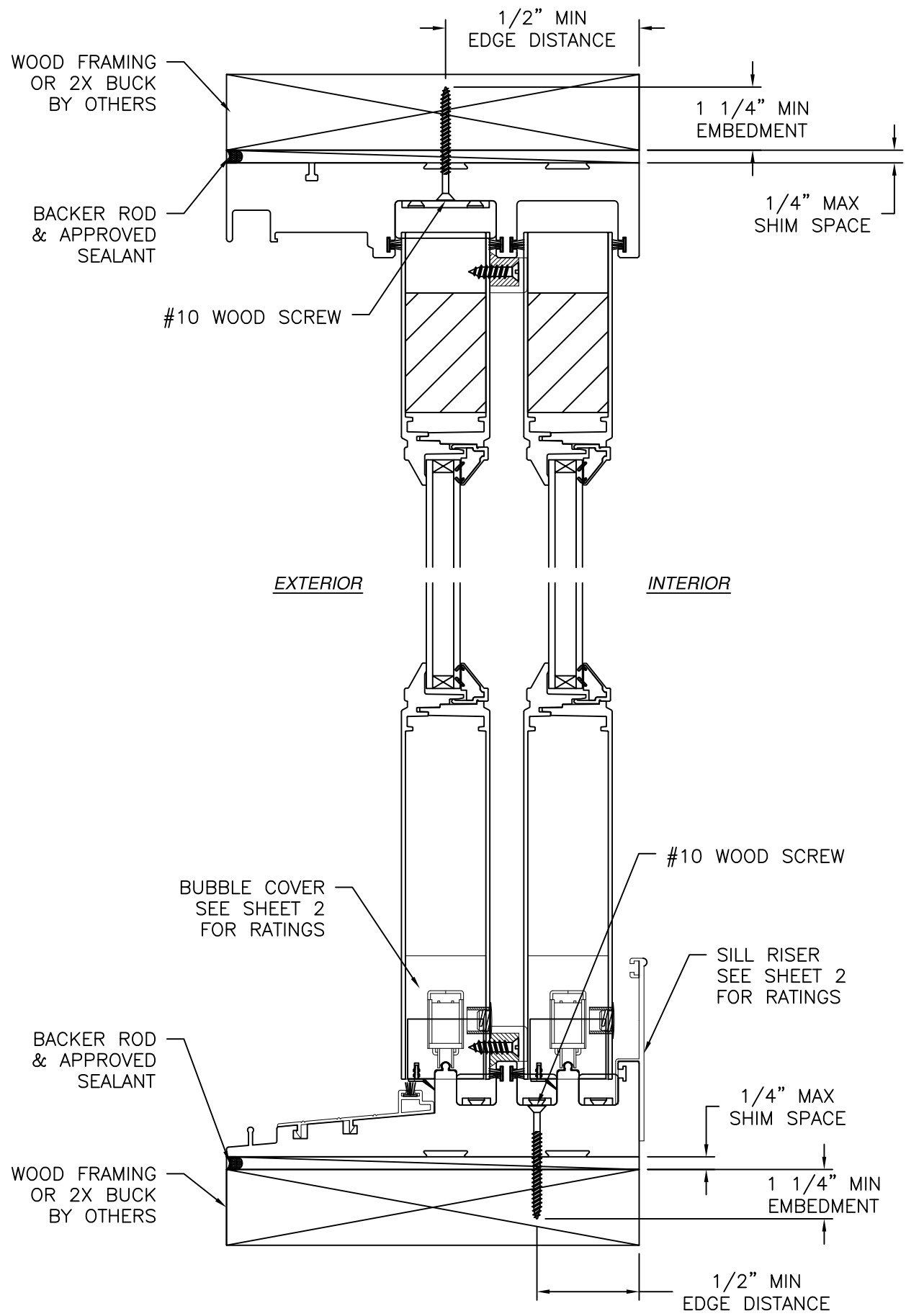
DRAWN: A.R.	DWG NO. 08-03119	REV -
SCALE NTS	DATE 06/15/17	SHEET 2 OF 6

L. ROBERTO LOMAS P.E.  
 1432 WOODFORD RD LEWISVILLE, NC 27023  
 434-688-0609 rllomas@rlomaspe.com

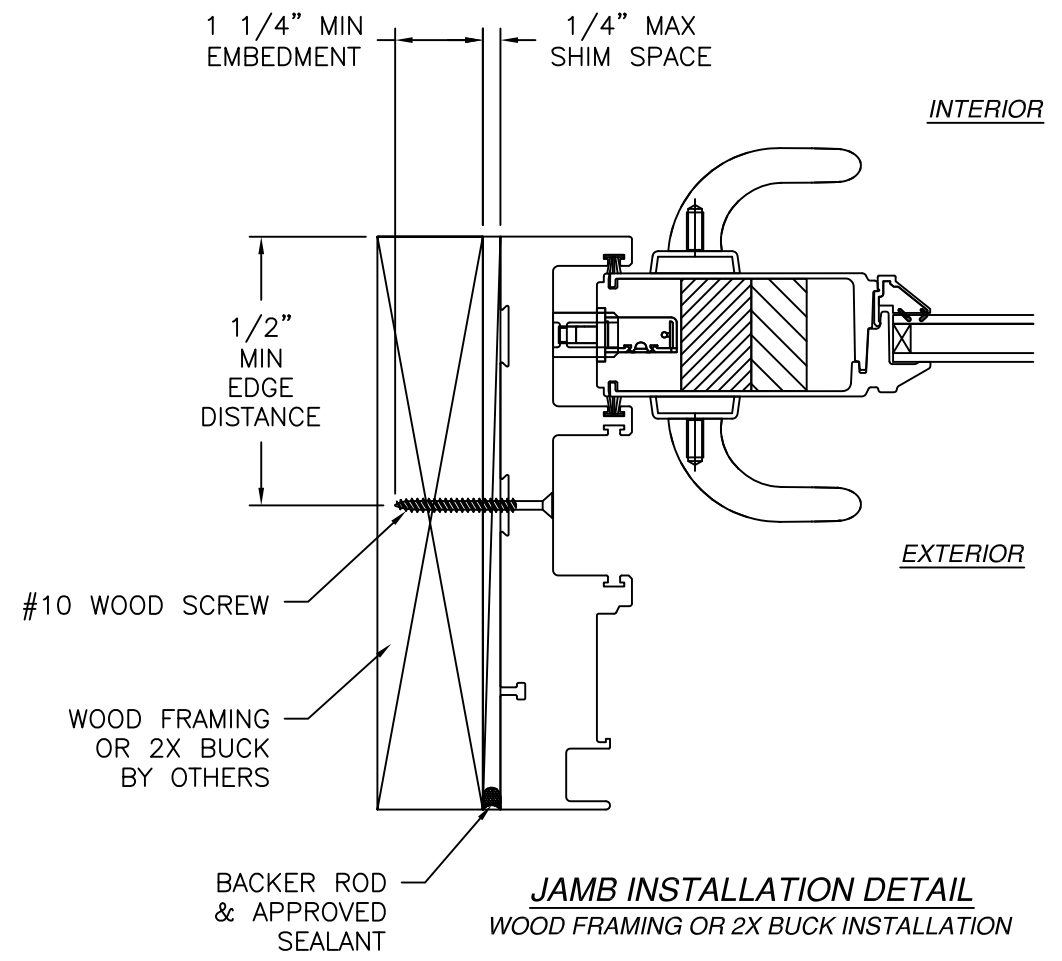
SIGNED: 07/06/2017

Luis R. Lomas P.E.  
 FL No.: 62514

REVISIONS			
REV	DESCRIPTION	DATE	APPROVED



**VERTICAL CROSS SECTION**  
WOOD FRAMING OR 2X BUCK INSTALLATION



**JAMB INSTALLATION DETAIL**  
WOOD FRAMING OR 2X BUCK INSTALLATION

- NOTES:
1. INTERIOR AND EXTERIOR FINISHES, BY OTHERS, NOT SHOWN FOR CLARITY.
  2. PERIMETER AND JOINT SEALANT BY OTHERS TO BE DESIGNED IN ACCORDANCE WITH ASTM E2112

SIGNED: 07/06/2017

**NAN YA PLASTICS CORPORATION USA**  
8989 NORTH LOOP EAST, SUITE 800  
HOUSTON, TX 77029

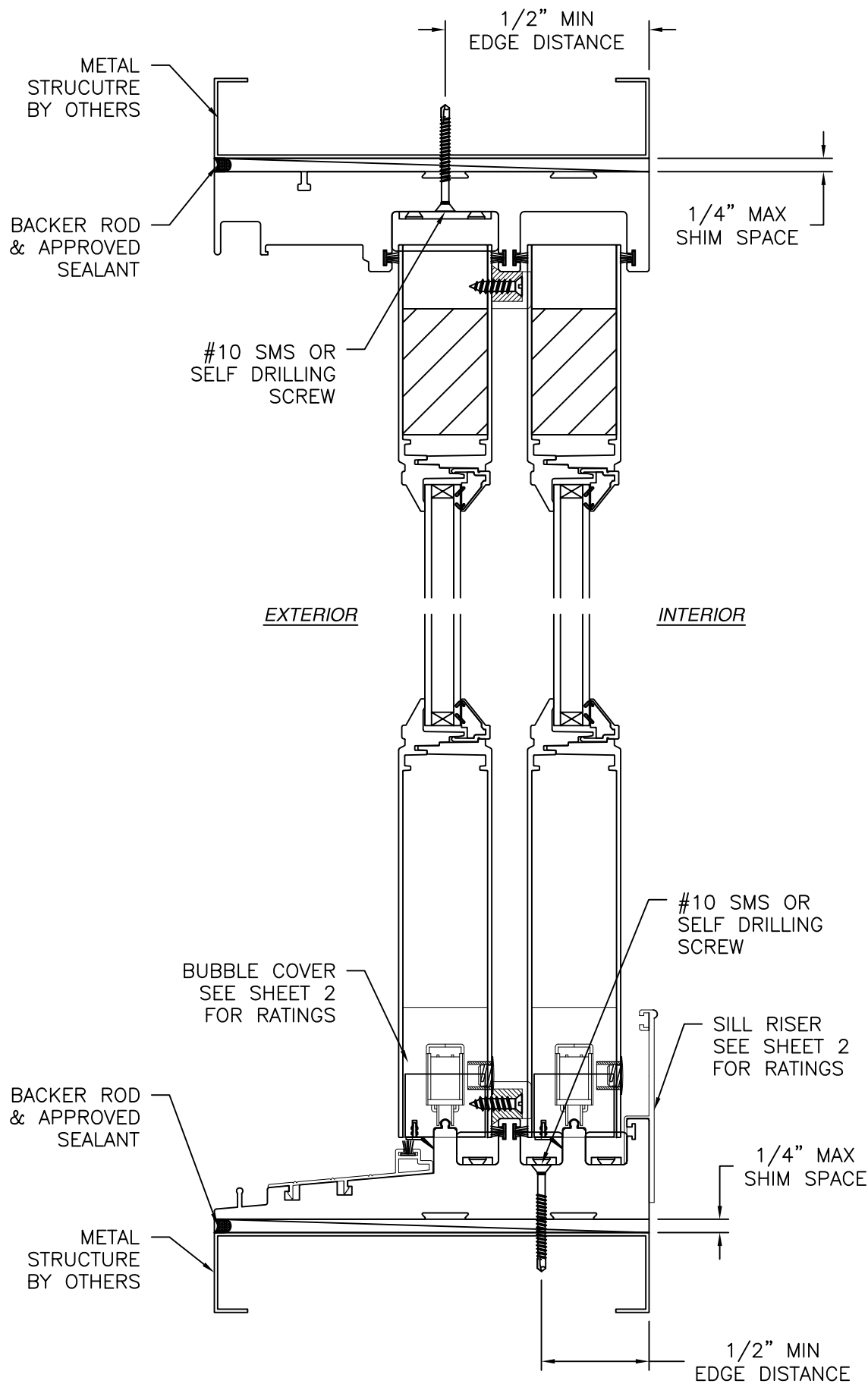
SERIES LPS GLIDING PATIO DOOR GLAZED  
FIBERGLASS SGD W/SILL RISER & BUBBLE COVER  
INSTALLATION DETAILS

DRAWN: A.R.	DWG NO. 08-03119	REV -
SCALE NTS	DATE 06/15/17	SHEET 3 OF 6

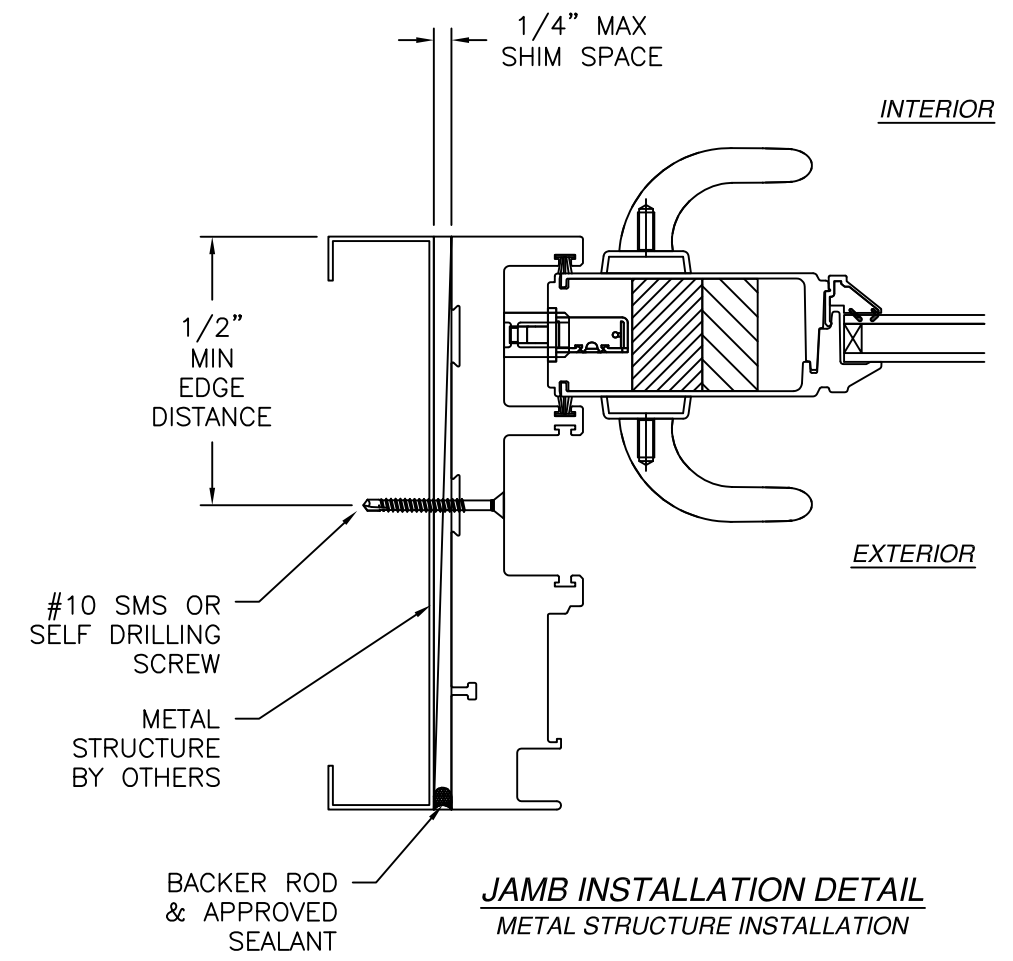
L. ROBERTO LOMAS P.E.  
1432 WOODFORD RD LEWISVILLE, NC 27023  
434-688-0609 rllomas@rlomaspe.com

Luis R. Lomas P.E.  
FL No.: 62514

REVISIONS			
REV	DESCRIPTION	DATE	APPROVED



**VERTICAL CROSS SECTION**  
METAL STRUCTURE INSTALLATION



**JAMB INSTALLATION DETAIL**  
METAL STRUCTURE INSTALLATION

- NOTES:**
1. INTERIOR AND EXTERIOR FINISHES, BY OTHERS, NOT SHOWN FOR CLARITY.
  2. PERIMETER AND JOINT SEALANT BY OTHERS TO BE DESIGNED IN ACCORDANCE WITH ASTM E2112

SIGNED: 07/06/2017

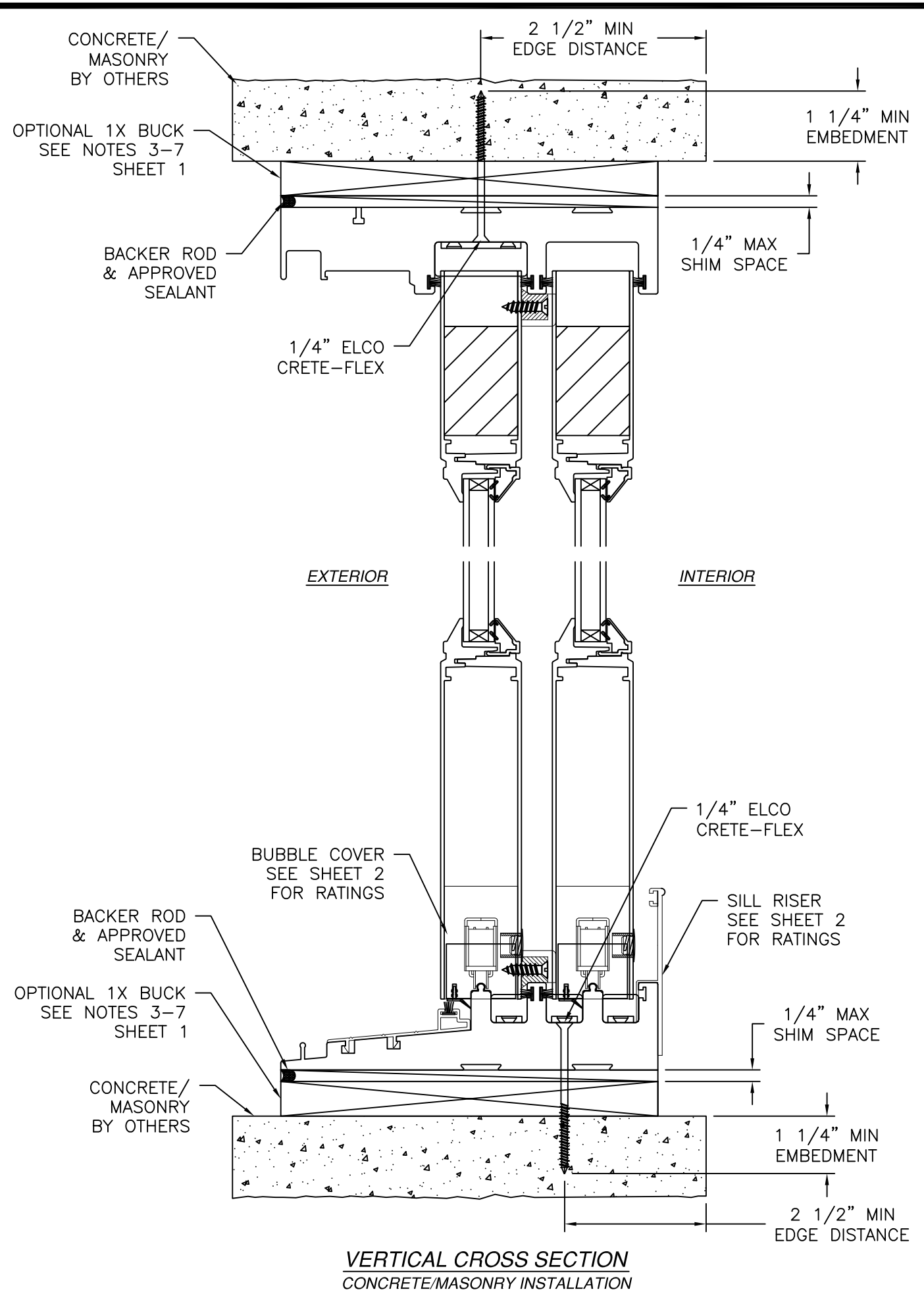
**NAN YA PLASTICS CORPORATION USA**  
8989 NORTH LOOP EAST, SUITE 800  
HOUSTON, TX 77029

SERIES LPS GLIDING PATIO DOOR GLAZED  
FIBERGLASS SGD W/SILL RISER & BUBBLE COVER  
INSTALLATION DETAILS

DRAWN: A.R.	DWG NO. 08-03119	REV -
SCALE NTS	DATE 06/15/17	SHEET 4 OF 6

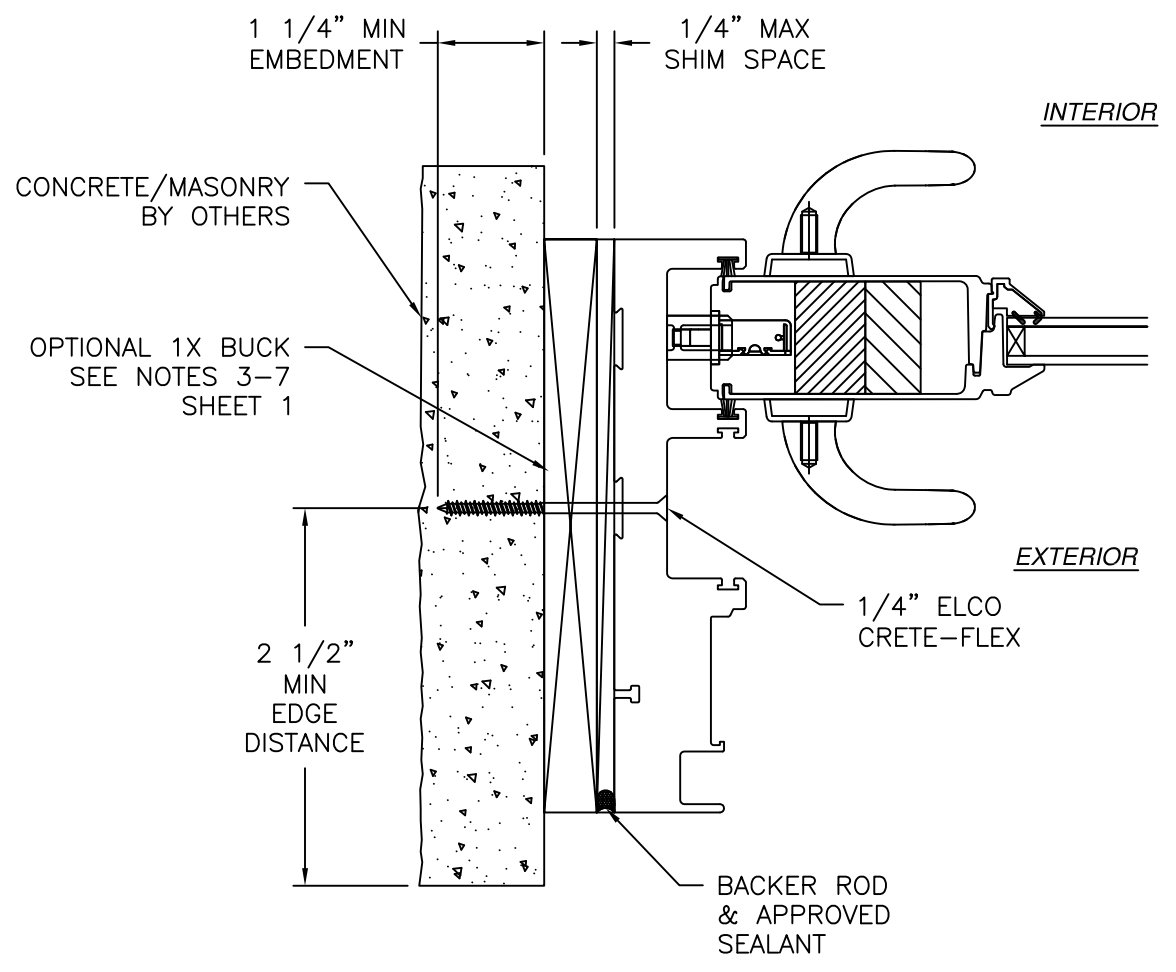
L. ROBERTO LOMAS P.E.  
1432 WOODFORD RD LEWISVILLE, NC 27023  
434-688-0609 rllomas@rlomaspe.com

Luis R. Lomas P.E.  
FL No.: 62514



**VERTICAL CROSS SECTION  
CONCRETE/MASONRY INSTALLATION**

REVISIONS			
REV	DESCRIPTION	DATE	APPROVED



**JAMB INSTALLATION DETAIL  
CONCRETE/MASONRY INSTALLATION**

- NOTES:**
1. INTERIOR AND EXTERIOR FINISHES, BY OTHERS, NOT SHOWN FOR CLARITY.
  2. PERIMETER AND JOINT SEALANT BY OTHERS TO BE DESIGNED IN ACCORDANCE WITH ASTM E2112

SIGNED: 07/06/2017

**NAN YA PLASTICS CORPORATION USA**  
 8989 NORTH LOOP EAST, SUITE 800  
 HOUSTON, TX 77029

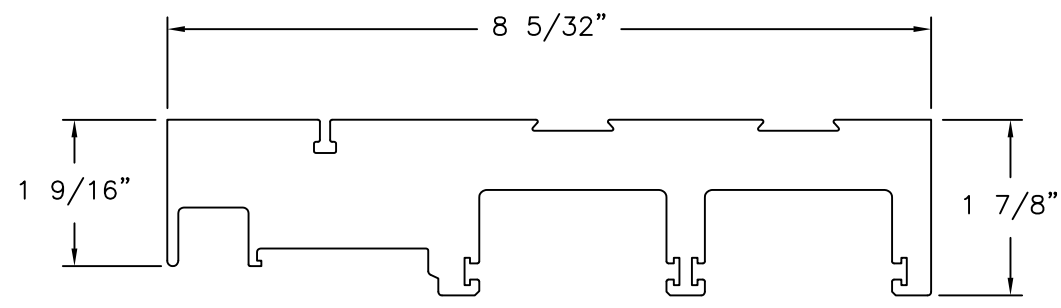
SERIES LPS GLIDING PATIO DOOR GLAZED  
 FIBERGLASS SGD W/SILL RISER & BUBBLE COVER  
 INSTALLATION DETAILS

DRAWN: A.R.	DWG NO. 08-03119	REV -
SCALE NTS	DATE 06/15/17	SHEET 5 OF 6

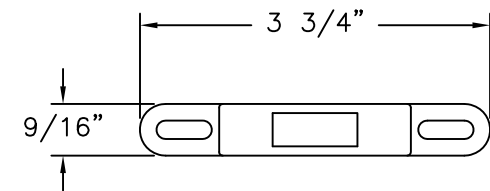
L. ROBERTO LOMAS P.E.  
 1432 WOODFORD RD LEWISVILLE, NC 27023  
 434-688-0609 rllomas@rlomaspe.com

Luis R. Lomas P.E.  
 FL No.: 62514

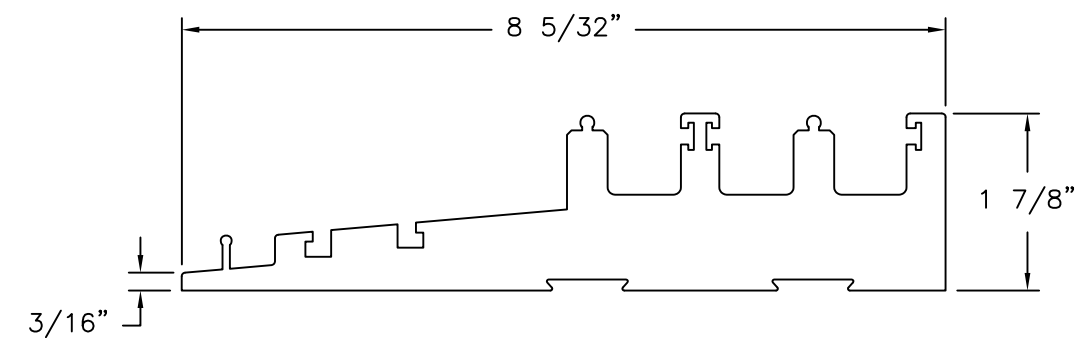
REVISIONS			
REV	DESCRIPTION	DATE	APPROVED



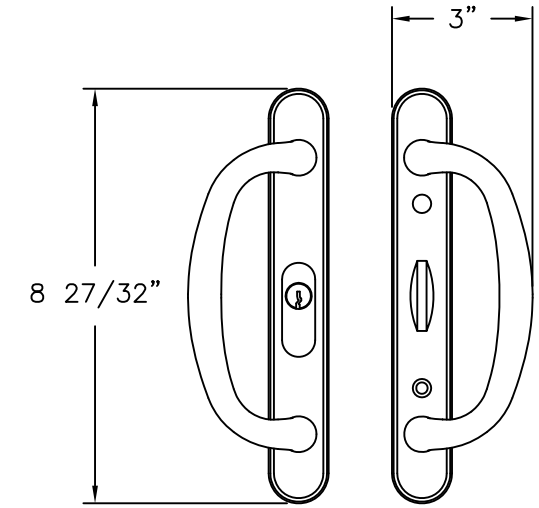
**FRAME HEAD & JAMB**  
FOAM PVC CO-EX



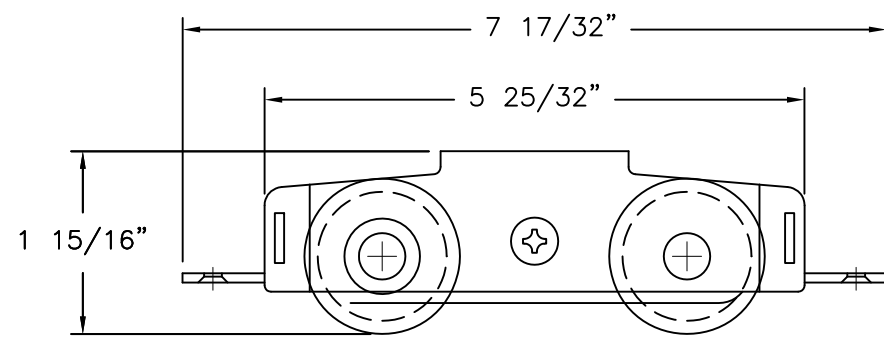
**LOCK KEEPER**  
STAINLESS STEEL



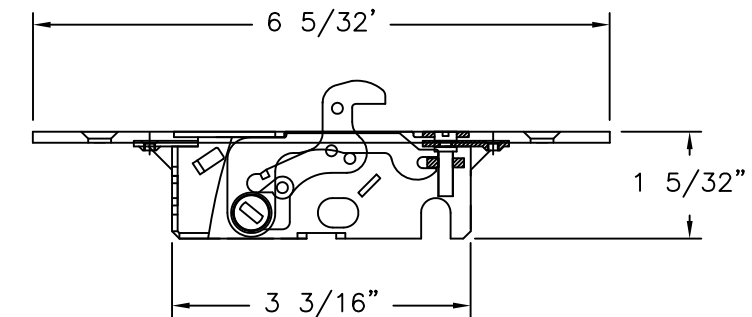
**SILL**  
FOAM PVC



**HANDLE SET**  
DIE CASTING



**ADJUSTABLE ROLLER**  
STAINLESS STEEL



**SINGLE LOCK**  
STAINLESS STEEL, DIE STEEL

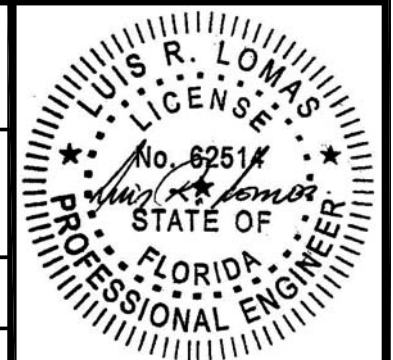
**NAN YA PLASTICS CORPORATION USA**  
8989 NORTH LOOP EAST, SUITE 800  
HOUSTON, TX 77029

SERIES LPS GLIDING PATIO DOOR GLAZED  
FIBERGLASS SGD W/SILL RISER & BUBBLE COVER  
COMPONENTS

DRAWN: A.R.	DWG NO. 08-03119	REV -
SCALE NTS	DATE 06/15/17	SHEET 6 OF 6

L. ROBERTO LOMAS P.E.  
1432 WOODFORD RD LEWISVILLE, NC 27023  
434-688-0609 rllomas@rlomaspe.com

SIGNED: 07/06/2017



Luis R. Lomas P.E.  
FL No.: 62514