

REVISIONS			
REV	DESCRIPTION	DATE	APPROVED

NOTES:

1. THE PRODUCT SHOWN HEREIN IS DESIGNED AND MANUFACTURED TO COMPLY WITH REQUIREMENTS OF THE FLORIDA BUILDING CODE, INCLUDING THE HVHZ.
2. WOOD FRAMING AND MASONRY OPENING TO BE DESIGNED AND ANCHORED TO PROPERLY TRANSFER ALL LOADS TO STRUCTURE. FRAMING AND MASONRY OPENING IS THE RESPONSIBILITY OF THE ARCHITECT OR ENGINEER OF RECORD.
3. 1X BUCK OVER MASONRY/CONCRETE IS OPTIONAL.
4. WHERE SHIM OR BUCK THICKNESS IS LESS THAN 1-1/2" UNITS MUST BE ANCHORED THROUGH THE FRAME IN ACCORDANCE WITH MANUFACTURER'S PUBLISHED INSTALLATION INSTRUCTIONS. ANCHORS SHALL BE SECURELY FASTENED DIRECTLY INTO MASONRY, CONCRETE OR OTHER STRUCTURAL SUBSTRATE MATERIAL.
5. WHERE WOOD BUCK THICKNESS IS 1-1/2" OR GREATER, BUCK SHALL BE SECURELY FASTENED TO MASONRY, CONCRETE OR OTHER STRUCTURAL SUBSTRATE. UNITS MAY BE ANCHORED THROUGH FRAME TO SECURED WOOD BUCK IN ACCORDANCE WITH MANUFACTURER'S PUBLISHED INSTALLATION INSTRUCTIONS.
6. WHERE 1X BUCK IS NOT USED DISSIMILAR MATERIALS MUST BE SEPARATED WITH APPROVED COATING OR MEMBRANE. SELECTION OF COATING OR MEMBRANE IS THE RESPONSIBILITY OF THE ARCHITECT OR ENGINEER OF RECORD.
7. BUCKS SHALL EXTEND BEYOND UNIT FRAME INTERIOR FACE SO THAT FULL FRAME SUPPORT IS PROVIDED.
8. SHIM AS REQUIRED AT EACH ANCHOR LOCATION WITH LOAD BEARING SHIM. SHIM WHERE SPACE OF 1/16" OR GREATER OCCURS. MAXIMUM ALLOWABLE SHIM STACK TO BE 1/4".
9. SHIMS SHALL BE LOCATED, APPLIED AND MADE FROM MATERIALS AND THICKNESS CAPABLE OF SUSTAINING APPLICABLE LOADS.
10. WIND LOAD DURATION FACTOR Cd=1.6 WAS USED FOR WOOD ANCHOR CALCULATIONS.
11. FRAME MATERIAL: FOAM PVC CO-EX.
12. UNITS MUST BE GLAZED PER ASTM E1300-04/09, SEE SHEET 3 FOR GLASS DETAILS.
13. APPROVED IMPACT PROTECTIVE SYSTEM IS NOT REQUIRED FOR THIS PRODUCT IN WIND BORNE DEBRIS REGIONS.
14. FOR ANCHORING THROUGH FRAME INTO WOOD FRAMING OR 2X BUCK USE #10 WOOD SCREWS WITH SUFFICIENT LENGTH TO ACHIEVE A 1 1/4" MINIMUM EMBEDMENT INTO SUBSTRATE. LOCATE ANCHORS AS SHOWN IN ELEVATIONS AND INSTALLATION DETAILS.

15. FOR ANCHORING THROUGH FRAME INTO MASONRY/CONCRETE USE 1/4" TAPCONS WITH SUFFICIENT LENGTH TO ACHIEVE A 1 1/4" MINIMUM EMBEDMENT INTO SUBSTRATE WITH 2" MINIMUM EDGE DISTANCE. LOCATE ANCHORS AS SHOWN IN ELEVATIONS AND INSTALLATION DETAILS.
16. FOR ANCHORING THROUGH FRAME INTO METAL STRUCTURE USE #10 SMS OR SELF DRILLING SCREWS WITH SUFFICIENT LENGTH TO ACHIEVE 3 THREADS MINIMUM BEYOND STRUCTURE INTERIOR WALL. LOCATE ANCHORS AS SHOWN IN ELEVATIONS AND INSTALLATION DETAILS.
17. ALL FASTENERS TO BE CORROSION RESISTANT.
18. INSTALLATION ANCHORS SHALL BE INSTALLED IN ACCORDANCE WITH ANCHOR MANUFACTURER'S INSTALLATION INSTRUCTIONS AND ANCHORS SHALL NOT BE USED IN SUBSTRATES WITH STRENGTHS LESS THAN THE MINIMUM STRENGTH SPECIFIED BELOW:
  - A. WOOD: MINIMUM SPECIFIC GRAVITY OF G=0.42
  - B. CONCRETE: MINIMUM COMPRESSIVE STRENGTH OF 2,000 PSI.
  - C. MASONRY: HOLLOW/FILLED BLOCK PER ASTM C90 WITH Fm=2,000PSI MINIMUM.
  - D. METAL STRUCTURE: STEEL 18GA (.048") FY=33KSI/FU=52KSI OR ALUMINUM 6063-T5 FU=30KSI .125" THICK MINIMUM

TABLE OF CONTENTS	
SHEET NO.	DESCRIPTION
1	NOTES
2	ELEVATION
3	ADDITIONAL CONFIGURATION AND HARDWARE
4	ANCHORING LAYOUT
5 - 7	INSTALLATION DETAILS
8	COMPONENTS

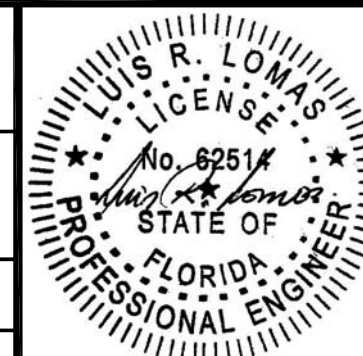
**NAN YA PLASTICS CORP. USA**  
8989 NORTH LOOP EAST  
HOUSTON, TX 77029

SERIES "SPLS" FIBERGLASS GLAZED  
SGD 8'0" WITH 3/4" LITE PANELS - IMPACT  
NOTES

DRAWN: A.R.	DWG NO. 08-03580	REV -
SCALE NTS	DATE 07/01/2020	SHEET 1 OF 8

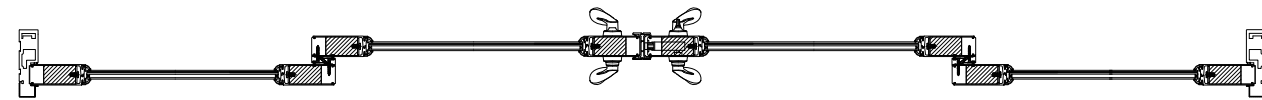
L. ROBERTO LOMAS P.E.  
1432 WOODFORD RD LEWISVILLE, NC 27023  
434-688-0609 rllomas@lrlomaspe.com

SIGNED: 07/13/2020



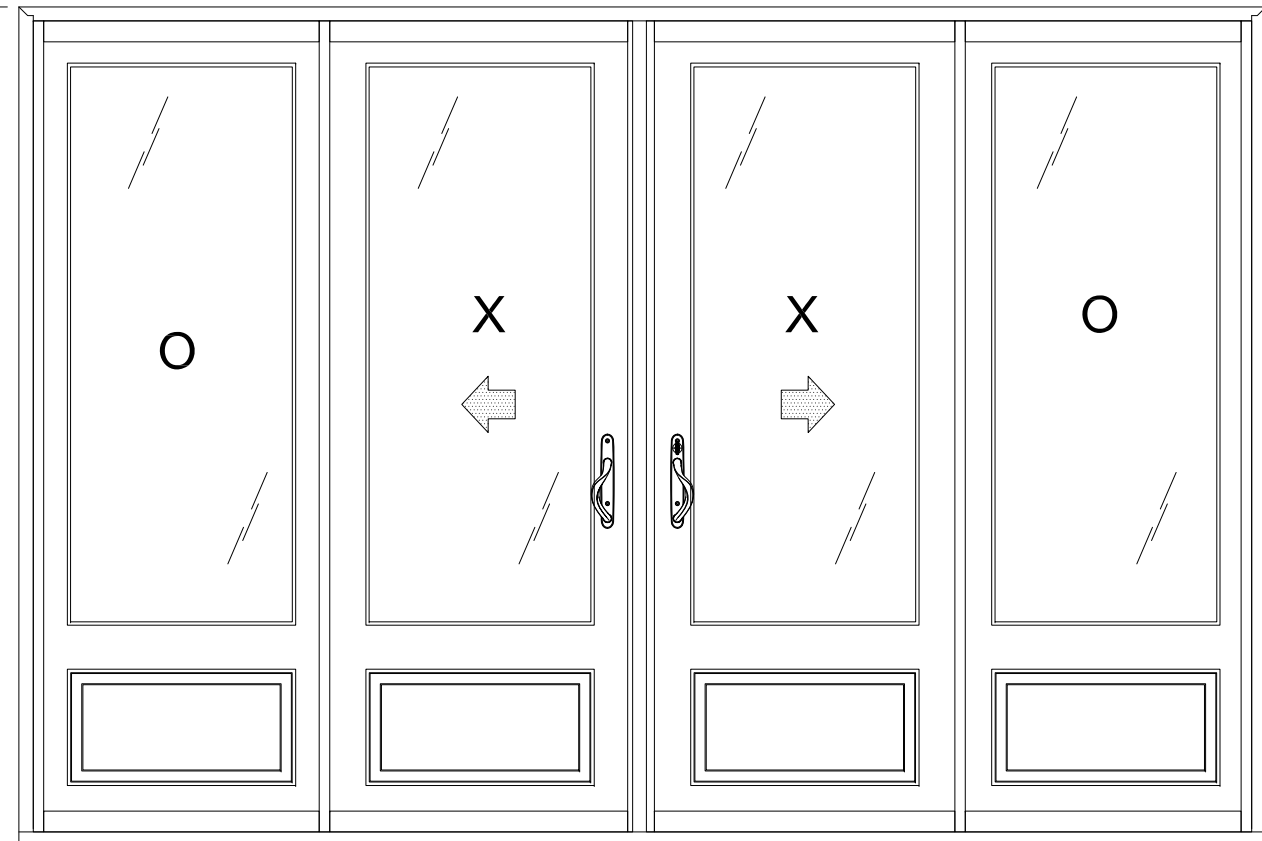
Luis R. Lomas P.E.  
FL No.: 62514

REVISIONS			
REV	DESCRIPTION	DATE	APPROVED



141 1/8" FRAME WIDTH

95 1/2" FRAME WIDTH



**SERIES "SPLS" 8'0 FIBERGLASS SLIDING GLASS DOOR WITH 3/4" PANELS**  
EXTERIOR VIEW

DESIGN PRESSURE RATING	IMPACT RATING
±50.0PSF	LARGE AND SMALL MISSILE IMPACT

MISSILE LEVEL D, WIND ZONE 4 AND HVHZ

35 3/4" X 92 3/8" PANELS SHOWN OTHER PANEL SIZES ARE APPROVED AS LONG AS INDIVIDUAL PANEL AREA DOES NOT EXCEED 22.9 FT<sup>2</sup>  
APPROVED CONFIGURATIONS: OXXO, OX, XO

**NOTES:**

- PANEL SIZE: 35 3/4" X 92 3/8"
- D.L.O.: 25 1/4" X 63 1/4"

**HARDWARE SCHEDULE**

A.	MULTI-POINT LOCK WITH KEEPERS (STAINLESS STEEL) AT ACTIVE PANEL
B.	GLIDING HANDLE (DIE CAST, STEEL) AT ACTIVE PANEL
C.	WOOD REINFORCEMENT (A) AT STATIONARY AND ACTIVE PANEL STILES
D.	WOOD REINFORCEMENT (B) AT ALL PANEL TOP RAILS AND DOUBLE ON PANEL BOTTOM RAILS
E.	1/8" STEEL REINFORCEMENT AT ACTIVE, PASSIVE, FIXED AND STATIONARY PANEL STILES

SIGNED: 07/13/2020

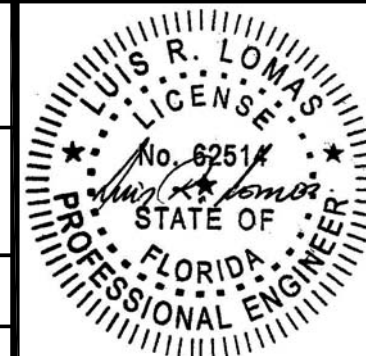
NAN YA PLASTICS CORP. USA

8989 NORTH LOOP EAST  
HOUSTON, TX 77029

SERIES "SPLS" FIBERGLASS GLAZED  
SGD 8'0 WITH 3/4" LITE PANELS - IMPACT  
ELEVATION FRAME INSTALLATION

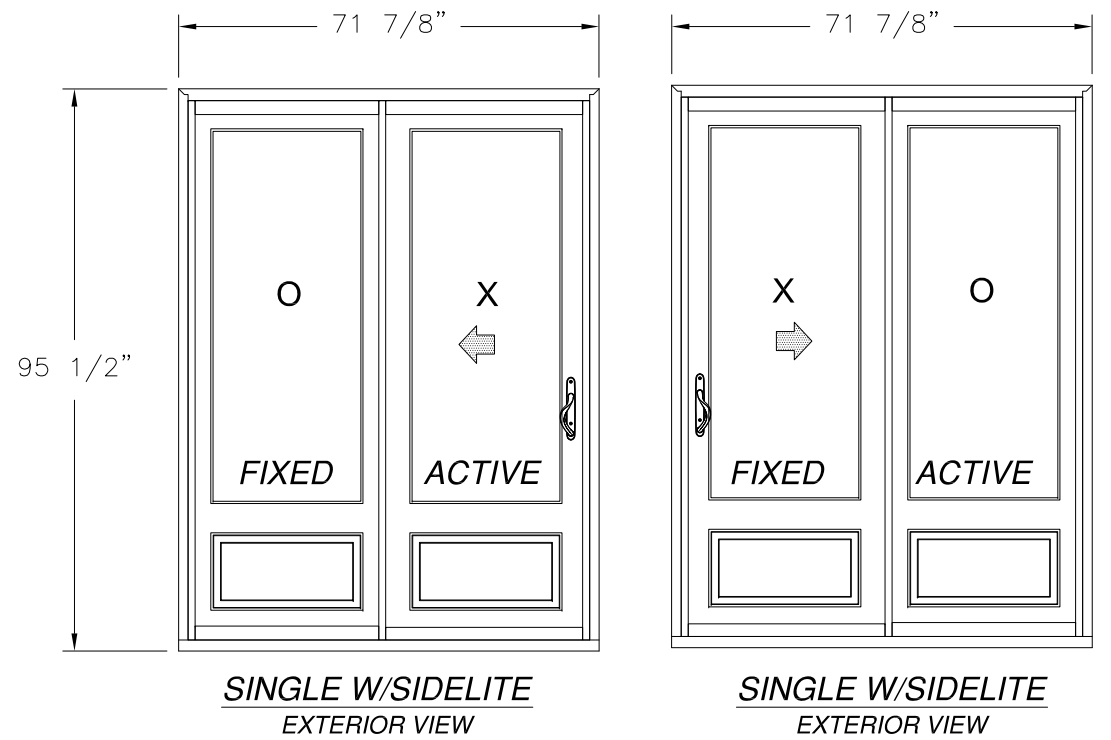
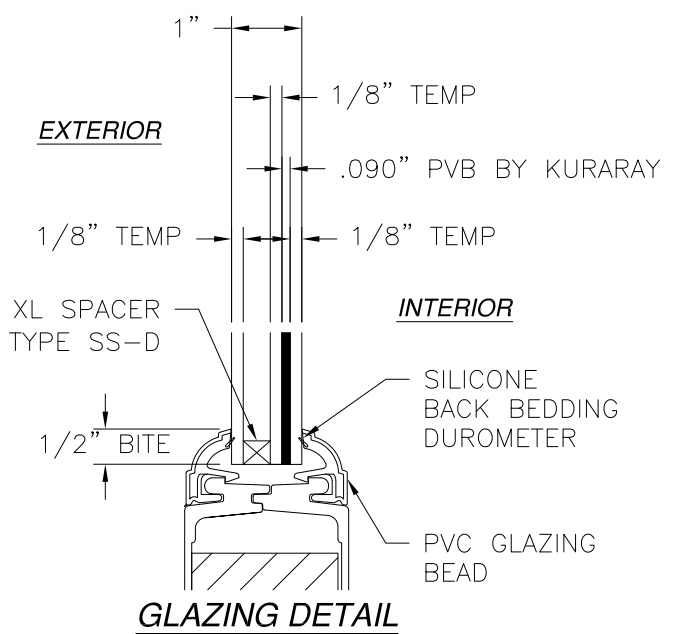
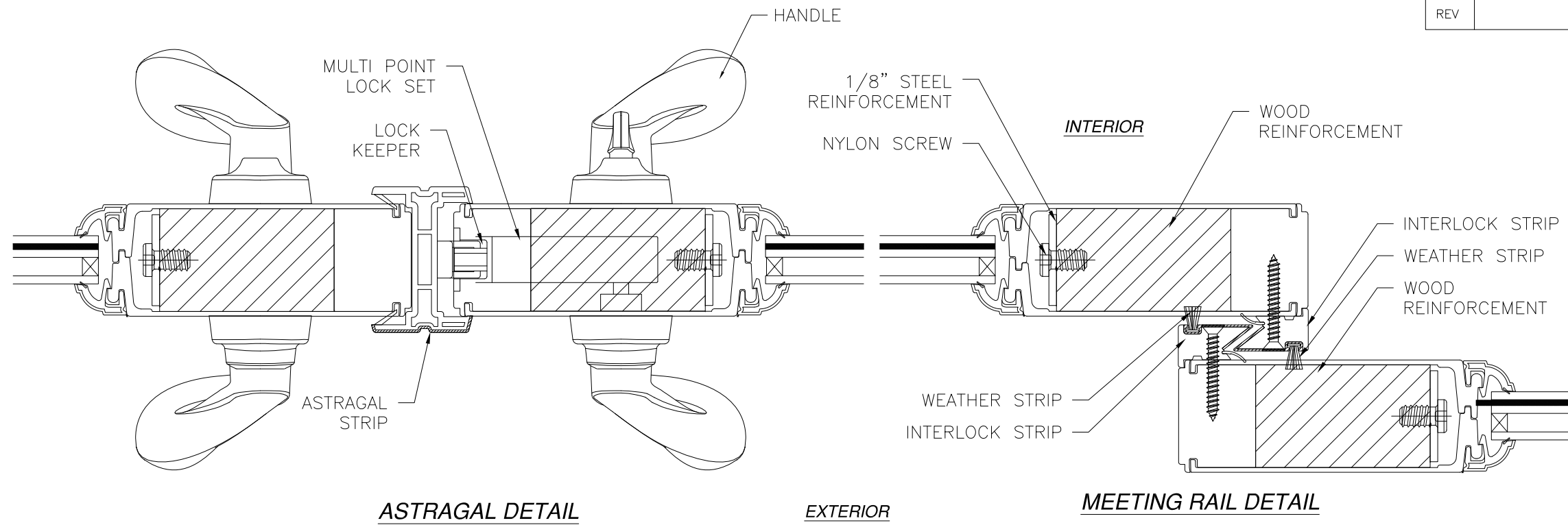
DRAWN: A.R.	DWG NO. 08-03580	REV -
SCALE NTS	DATE 07/01/2020	SHEET 2 OF 8

L. ROBERTO LOMAS P.E.  
1432 WOODFORD RD LEWISVILLE, NC 27023  
434-688-0609 rllomas@lrlomaspe.com



Luis R. Lomas P.E.  
FL No.: 62514

REVISIONS			
REV	DESCRIPTION	DATE	APPROVED



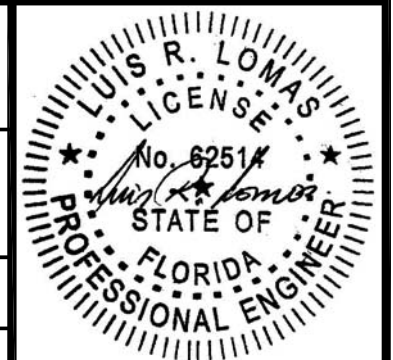
**NAN YA PLASTICS CORP. USA**  
 8989 NORTH LOOP EAST  
 HOUSTON, TX 77029

SERIES "SPLS" FIBERGLASS GLAZED  
 SGD 8'0" WITH 3/4" LITE PANELS - IMPACT  
 ADDITIONAL CONFIGURATION AND HARDWARE

DRAWN: A.R.	DWG NO. 08-03580	REV -
SCALE NTS	DATE 07/01/2020	SHEET 3 OF 8

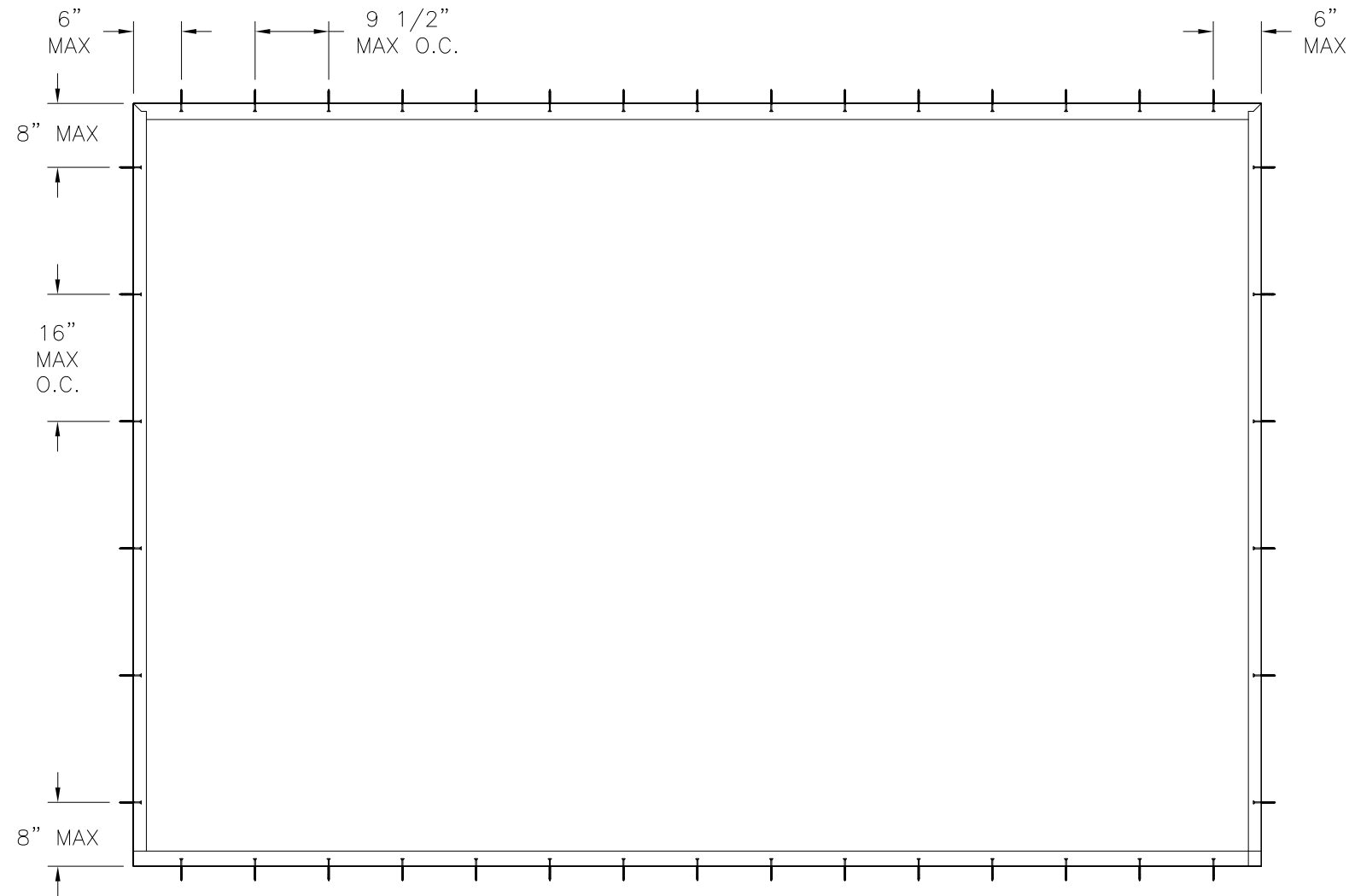
L. ROBERTO LOMAS P.E.  
 1432 WOODFORD RD LEWISVILLE, NC 27023  
 434-688-0609 rllomas@lrlomaspe.com

SIGNED: 07/13/2020

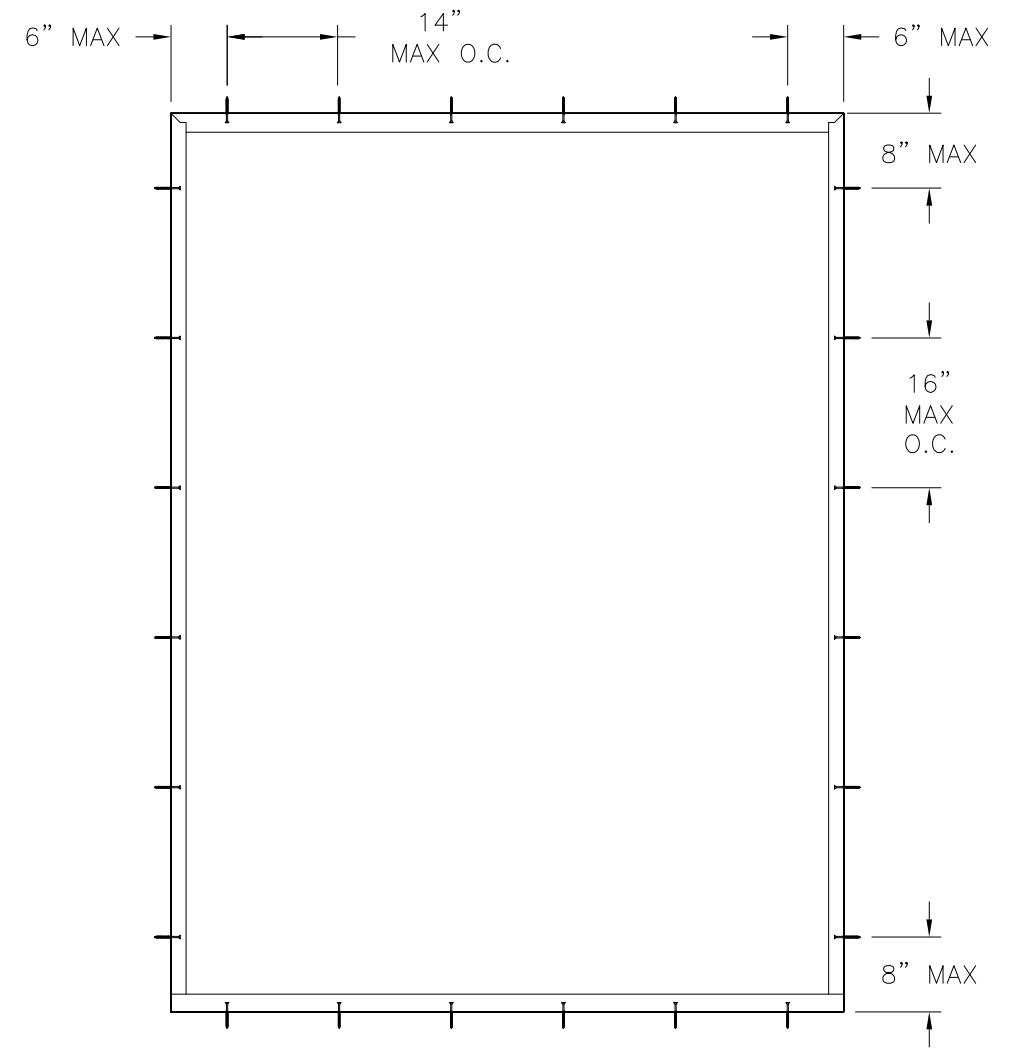


Luis R. Lomas P.E.  
 FL No.: 62514

REVISIONS			
REV	DESCRIPTION	DATE	APPROVED



ANCHORING LAYOUT FOR OXXO CONFIGURATION  
EXTERIOR VIEW



ANCHORING LAYOUT FOR OX AND XO CONFIGURATION  
EXTERIOR VIEW

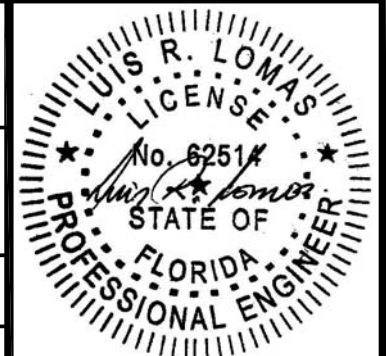
SIGNED: 07/13/2020

NAN YA PLASTICS CORP. USA  
8989 NORTH LOOP EAST  
HOUSTON, TX 77029

SERIES "SPLS" FIBERGLASS GLAZED  
SGD 8'0 WITH 3/4" LITE PANELS - IMPACT  
ANCHORING LAYOUTS

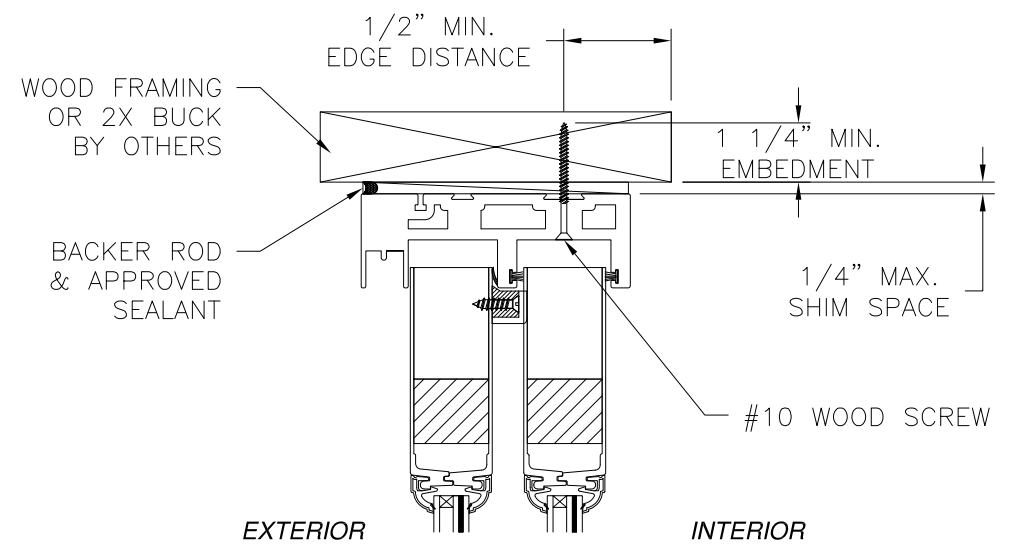
DRAWN: A.R.	DWG NO. 08-03580	REV -
SCALE NTS	DATE 07/01/2020	SHEET 4 OF 8

L. ROBERTO LOMAS P.E.  
1432 WOODFORD RD LEWISVILLE, NC 27023  
434-688-0609 rllomas@lrlomaspe.com

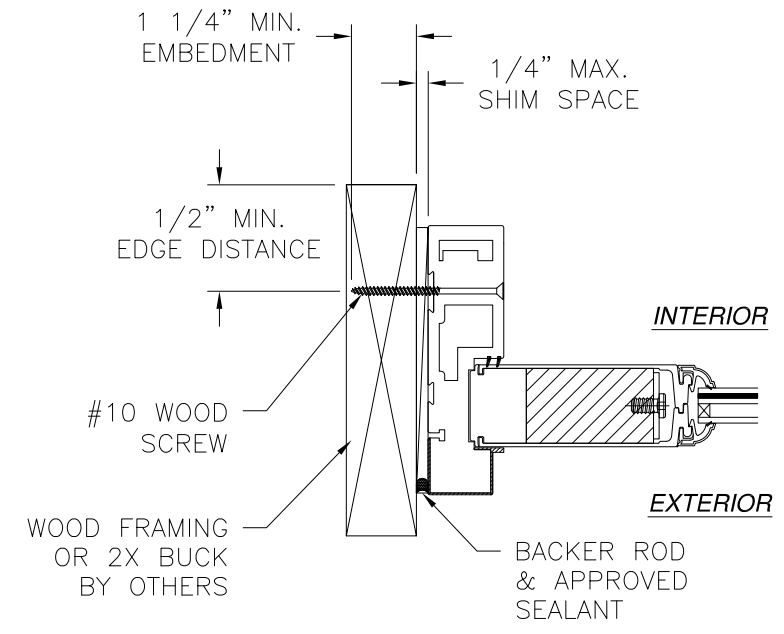


Luis R. Lomas P.E.  
FL No.: 62514

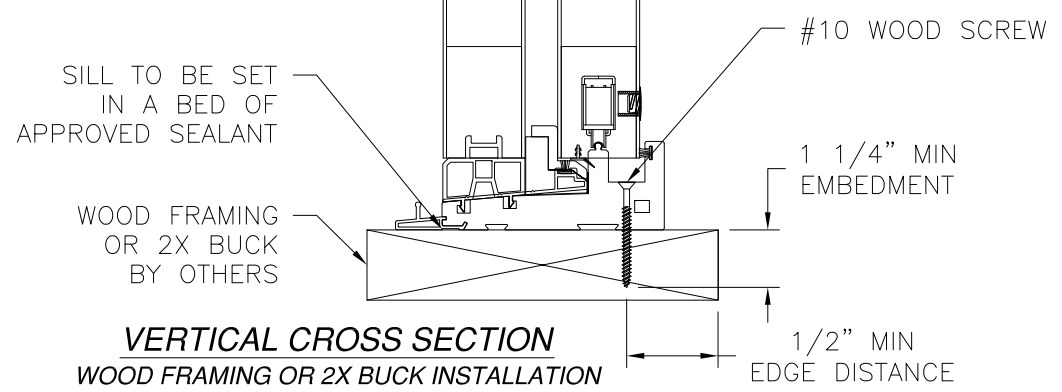
REVISIONS			
REV	DESCRIPTION	DATE	APPROVED



EXTERIOR INTERIOR



**JAMB INSTALLATION DETAIL**  
WOOD FRAMING OR 2X BUCK INSTALLATION



**VERTICAL CROSS SECTION**  
WOOD FRAMING OR 2X BUCK INSTALLATION

- NOTES:
1. INTERIOR AND EXTERIOR FINISHES, BY OTHERS, NOT SHOWN FOR CLARITY.
  2. PERIMETER AND JOINT SEALANT BY OTHERS TO BE DESIGNED IN ACCORDANCE WITH ASTM E2112

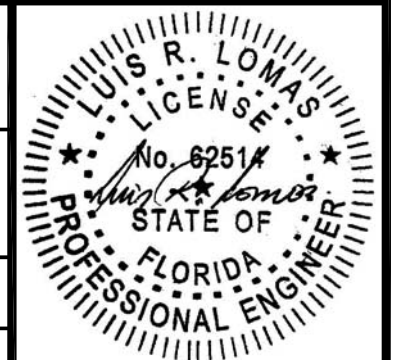
SIGNED: 07/13/2020

NAN YA PLASTICS CORP. USA  
8989 NORTH LOOP EAST  
HOUSTON, TX 77029

SERIES "SPLS" FIBERGLASS GLAZED  
SGD 8'0 WITH 3/4" LITE PANELS - IMPACT  
INSTALLATION DETAILS

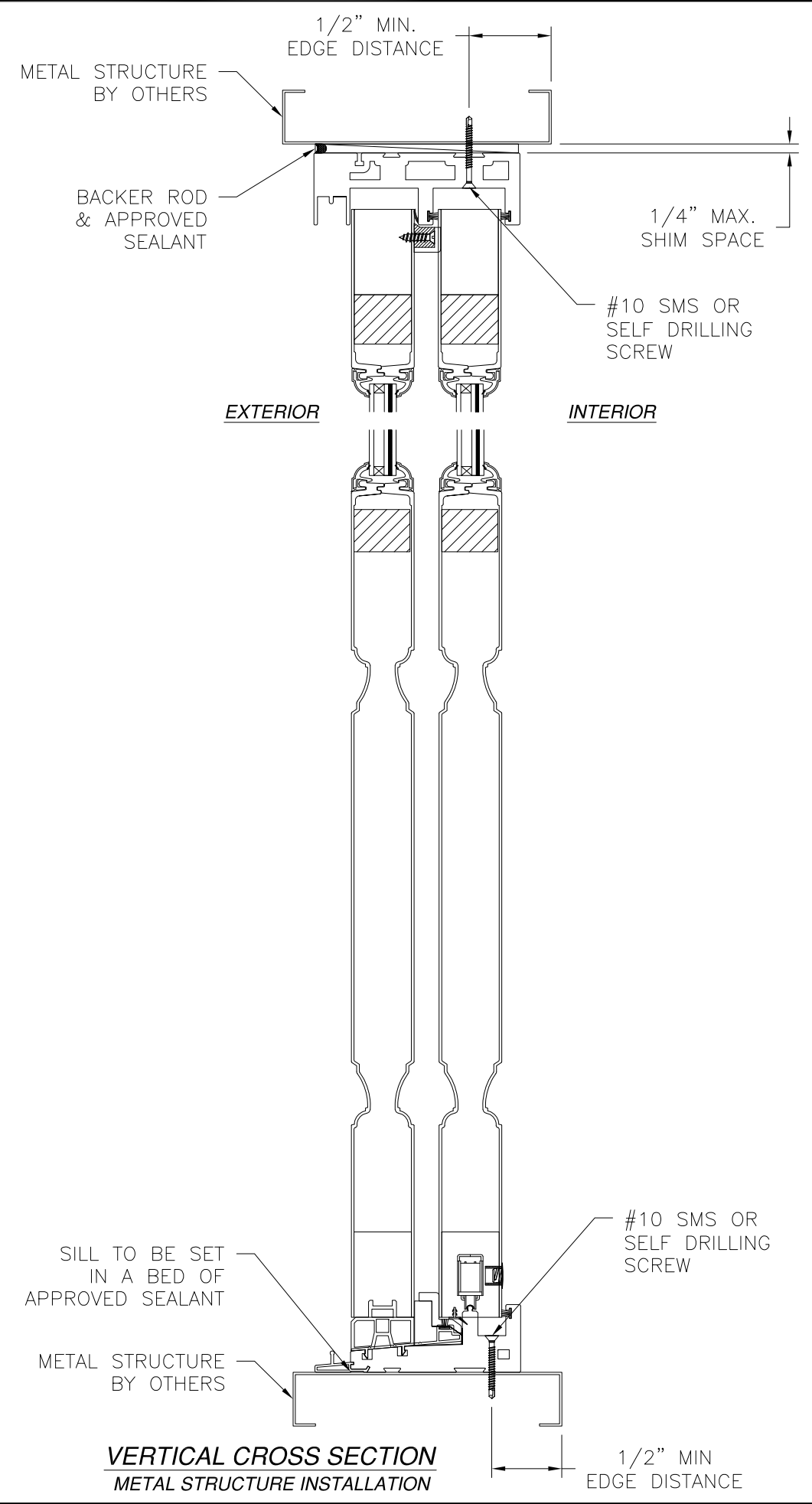
DRAWN: A.R.	DWG NO. 08-03580	REV -
SCALE NTS	DATE 07/01/2020	SHEET 5 OF 8

L. ROBERTO LOMAS P.E.  
1432 WOODFORD RD LEWISVILLE, NC 27023  
434-688-0609 rllomas@rlomaspe.com

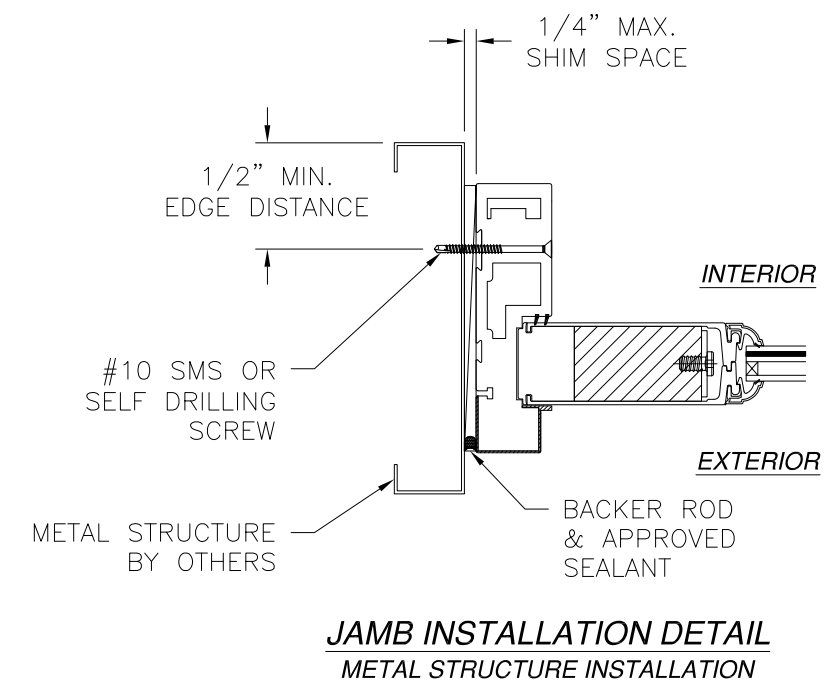


Luis R. Lomas P.E.  
FL No.: 62514

REVISIONS			
REV	DESCRIPTION	DATE	APPROVED



**VERTICAL CROSS SECTION**  
METAL STRUCTURE INSTALLATION



**JAMB INSTALLATION DETAIL**  
METAL STRUCTURE INSTALLATION

- NOTES:**
- INTERIOR AND EXTERIOR FINISHES, BY OTHERS, NOT SHOWN FOR CLARITY.
  - PERIMETER AND JOINT SEALANT BY OTHERS TO BE DESIGNED IN ACCORDANCE WITH ASTM E2112

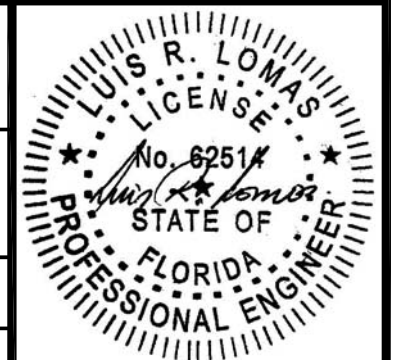
SIGNED: 07/13/2020

NAN YA PLASTICS CORP. USA  
8989 NORTH LOOP EAST  
HOUSTON, TX 77029

SERIES "SPLS" FIBERGLASS GLAZED  
SGD 8'0 WITH 3/4" LITE PANELS - IMPACT  
INSTALLATION DETAILS

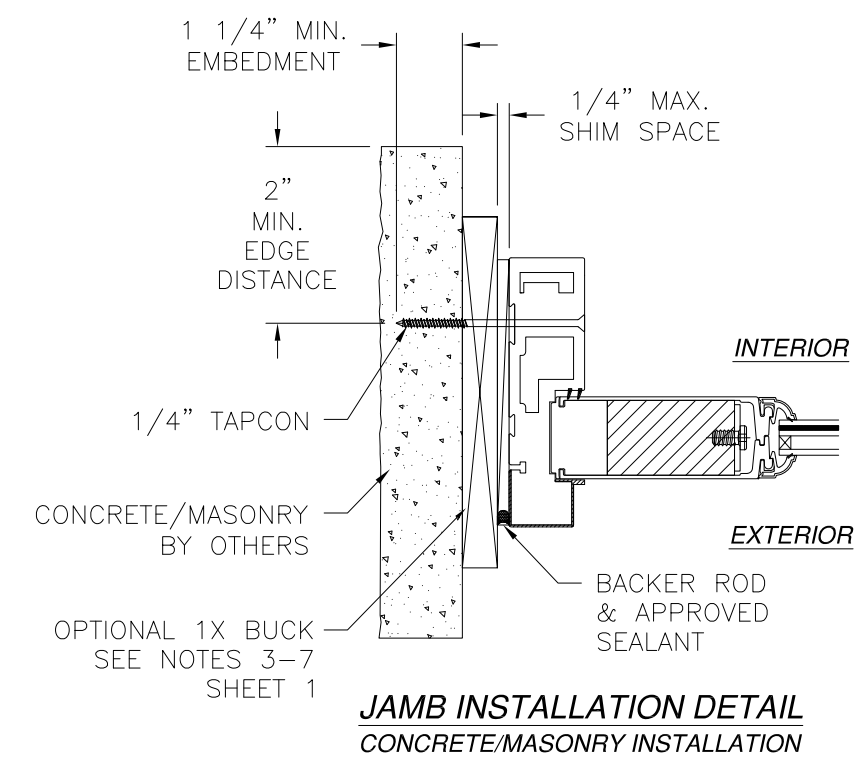
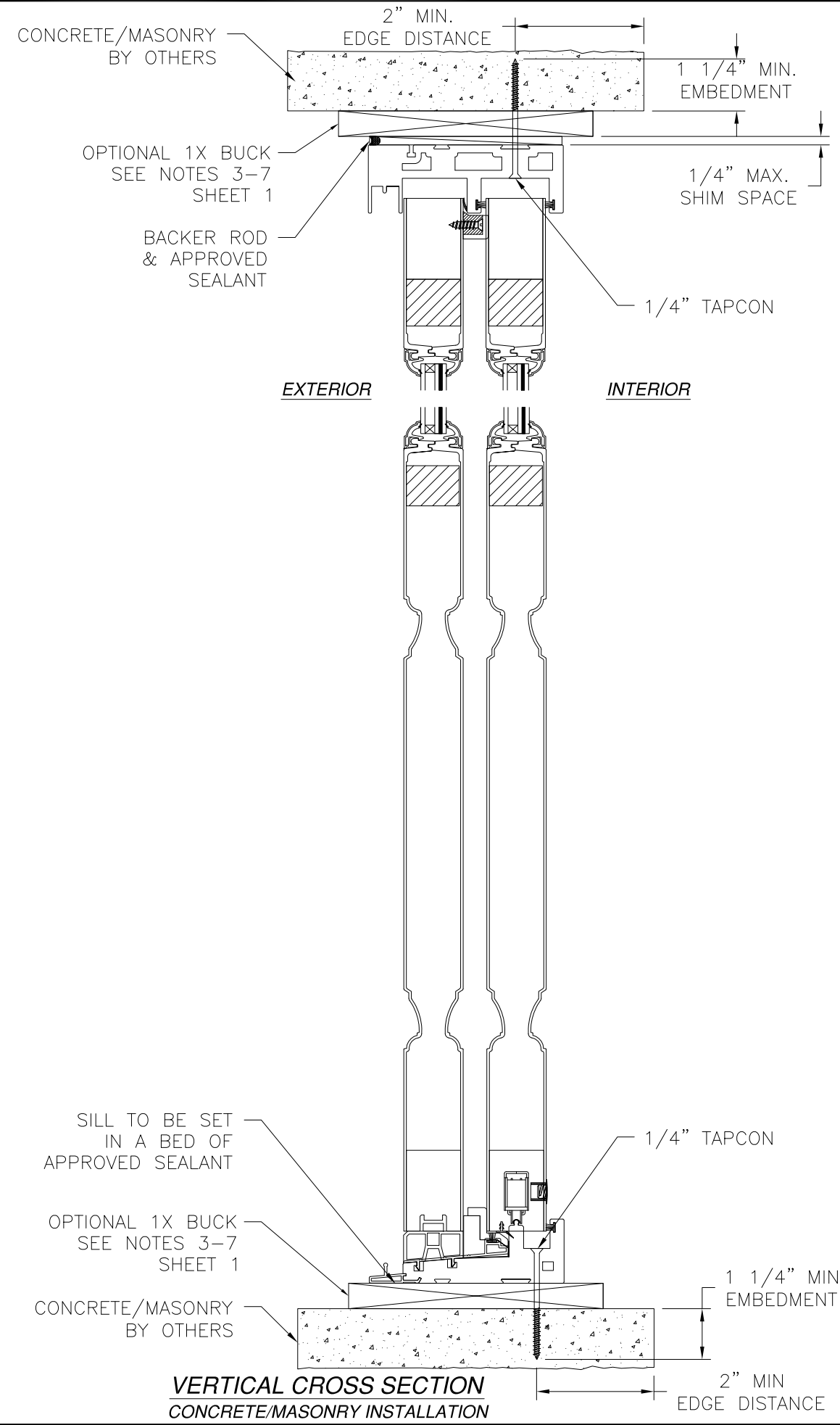
DRAWN: A.R.	DWG NO. 08-03580	REV -
SCALE NTS	DATE 07/01/2020	SHEET 6 OF 8

L. ROBERTO LOMAS P.E.  
1432 WOODFORD RD LEWISVILLE, NC 27023  
434-688-0609 rllomas@rlomaspe.com



Luis R. Lomas P.E.  
FL No.: 62514

REVISIONS			
REV	DESCRIPTION	DATE	APPROVED



- NOTES:
1. INTERIOR AND EXTERIOR FINISHES, BY OTHERS, NOT SHOWN FOR CLARITY.
  2. PERIMETER AND JOINT SEALANT BY OTHERS TO BE DESIGNED IN ACCORDANCE WITH ASTM E2112

SIGNED: 07/13/2020

NAN YA PLASTICS CORP. USA  
8989 NORTH LOOP EAST  
HOUSTON, TX 77029

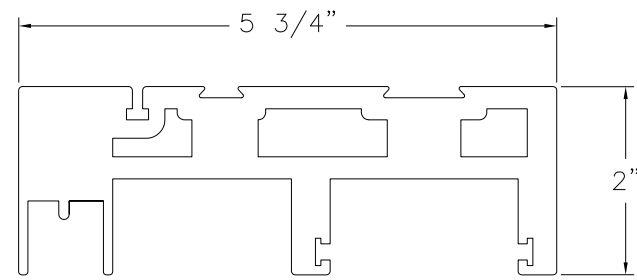
SERIES "SPLS" FIBERGLASS GLAZED  
SGD 8'0 WITH 3/4" LITE PANELS - IMPACT  
INSTALLATION DETAILS

DRAWN: A.R.	DWG NO. 08-03580	REV -
SCALE NTS	DATE 07/01/2020	SHEET 7 OF 8

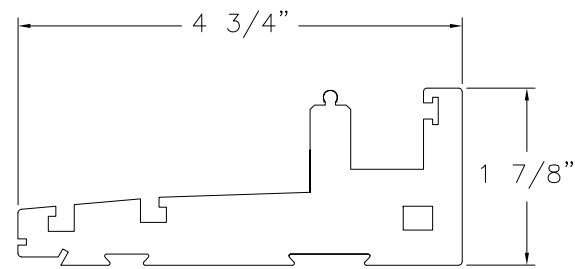
L. ROBERTO LOMAS P.E.  
1432 WOODFORD RD LEWISVILLE, NC 27023  
434-688-0609 rllomas@rlomaspe.com

Luis R. Lomas P.E.  
FL No.: 62514

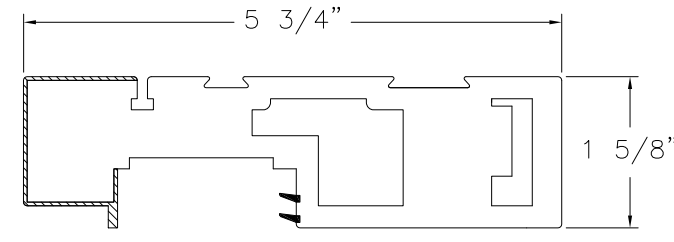
REVISIONS			
REV	DESCRIPTION	DATE	APPROVED



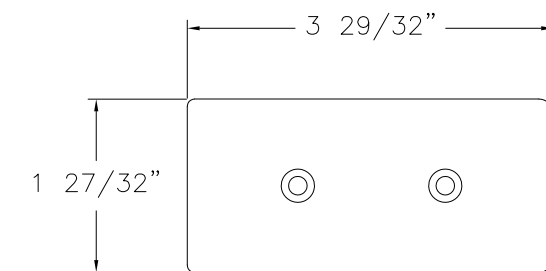
**HEAD**  
FOAM PVC CO-EX



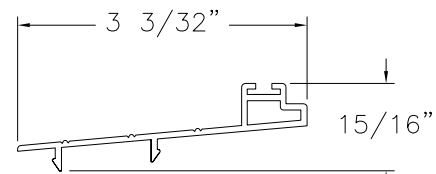
**SILL**  
FOAM PVC



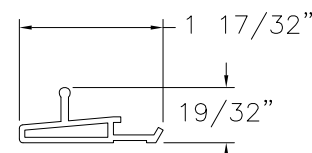
**JAMB**  
FOAM PVC



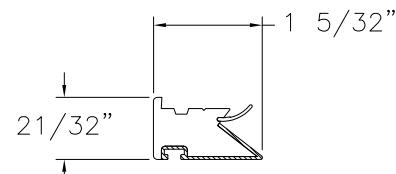
**HEAD BUMPER**  
SOFT PVC



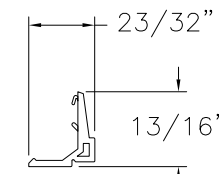
**SILL BOARD**  
ALUMINUM



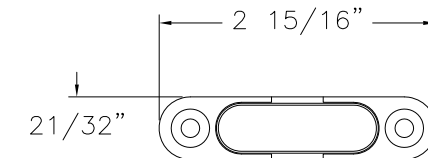
**SCREEN TRACK**  
ALUMINUM



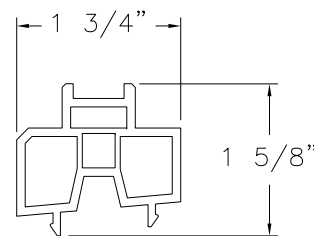
**INTERLOCK STRIP**  
FOAM PVC



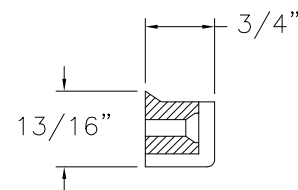
**GLAZING BEAD**  
PVC



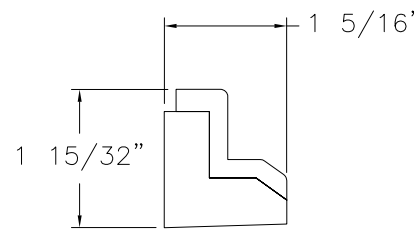
**ANTI-LIFT STOPPER**  
DIE CASTING



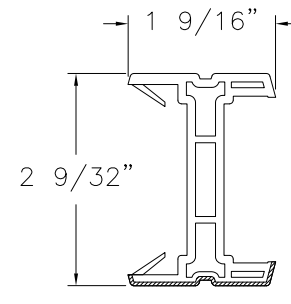
**STATIONARY BASE**  
RIGID PVC



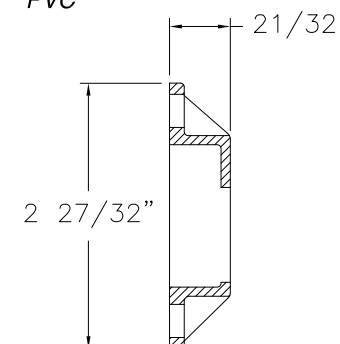
**WIND STOPPER (A)**  
FOAM EPDM



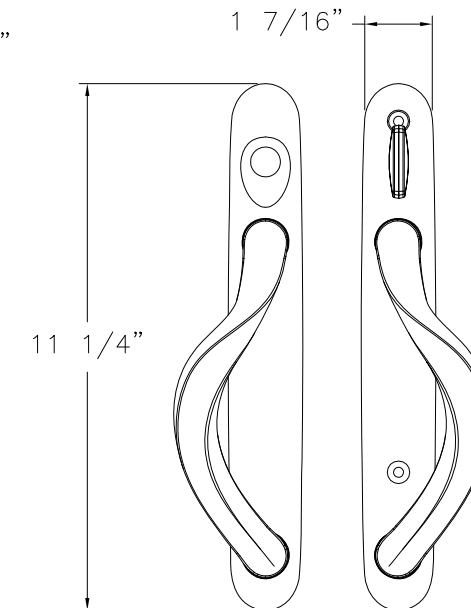
**WIND STOPPER (B)**  
FOAM EPDM



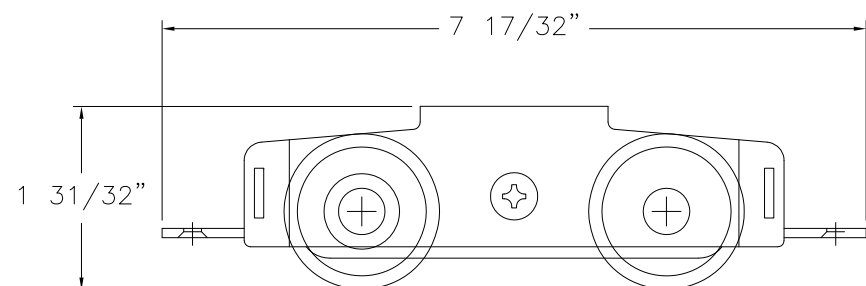
**ASTRAGAL STRIP**  
RIGID PVC



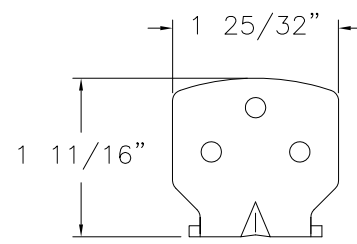
**LOCK KEEPER**  
DIE CASTING



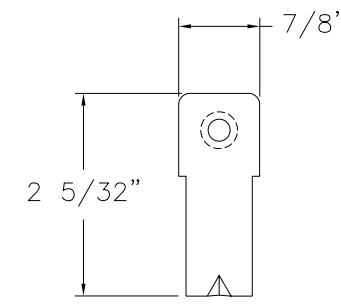
**GLIDING HANDLE**  
DIE CAST, STEEL



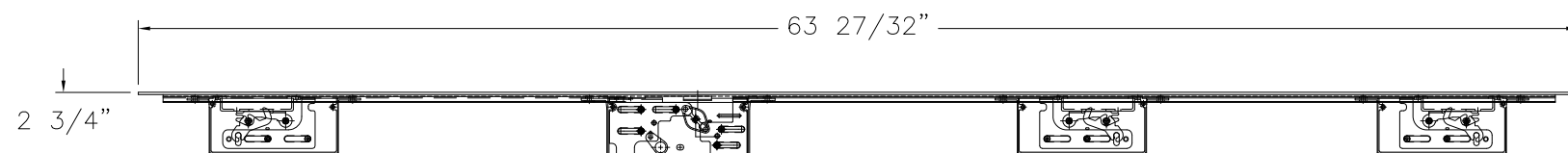
**ADJUSTABLE ROLLER**  
STAINLESS STEEL



**TOP BRACKET**  
STAINLESS STEEL



**DOWNSIDE BRACKET**  
STAINLESS STEEL



**MULTI-POINT LOCK**  
STAINLESS STEEL

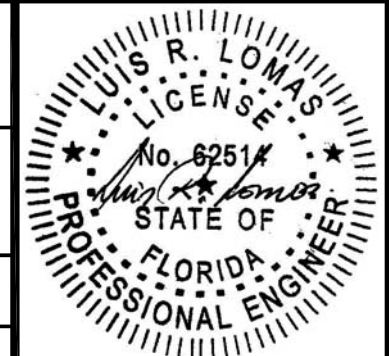
NAN YA PLASTICS CORP. USA  
8989 NORTH LOOP EAST  
HOUSTON, TX 77029

SERIES "SPLS" FIBERGLASS GLAZED  
SGD 8'0" WITH 3/4" LITE PANELS - IMPACT  
COMPONENTS

DRAWN: A.R.	DWG NO. 08-03580	REV -
SCALE NTS	DATE 07/01/2020	SHEET 8 OF 8

L. ROBERTO LOMAS P.E.  
1432 WOODFORD RD LEWISVILLE, NC 27023  
434-688-0609 rllomas@rlomaspe.com

SIGNED: 07/13/2020



Luis R. Lomas P.E.  
FL No.: 62514