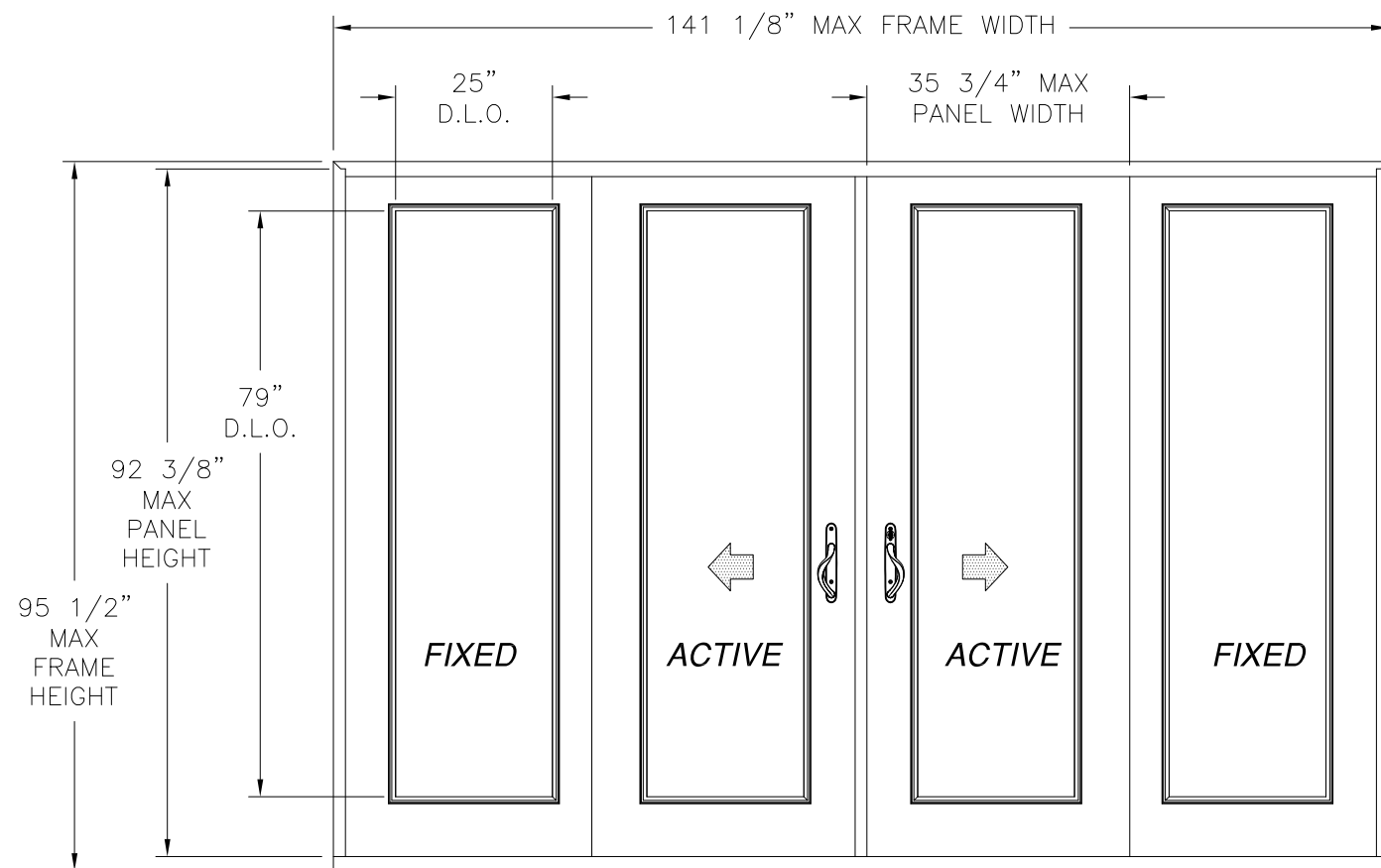


REVISIONS			
REV	DESCRIPTION	DATE	APPROVED



NOTES:

1. THE PRODUCT SHOWN HEREIN IS DESIGNED AND MANUFACTURED TO COMPLY WITH REQUIREMENTS OF THE FLORIDA BUILDING CODE.
2. WOOD FRAMING AND MASONRY OPENING TO BE DESIGNED AND ANCHORED TO PROPERLY TRANSFER ALL LOADS TO STRUCTURE. FRAMING AND MASONRY OPENING IS THE RESPONSIBILITY OF THE ARCHITECT OR ENGINEER OF RECORD.
3. 1X BUCK OVER MASONRY/CONCRETE IS OPTIONAL. WHERE 1X BUCK IS NOT USED DISSIMILAR MATERIALS MUST BE SEPARATED WITH APPROVED COATING OR MEMBRANE. SELECTION OF COATING OR MEMBRANE IS THE RESPONSIBILITY OF THE ARCHITECT OR ENGINEER OF RECORD.
4. UNITS MUST BE GLAZED PER ASTM E1300-04, SEE SHEET 2 FOR GLASS OPTIONS.
5. APPROVED IMPACT PROTECTIVE SYSTEM IS NOT REQUIRED FOR THIS PRODUCT IN WIND BORNE DEBRIS REGIONS.
6. FRAME JAMB AND HEAD MATERIAL: CO-EXTRUDED PVC FOAM 1 1/2" THICK.
7. FRAME SILL MATERIAL: CO-EXTRUDED PVC FOAM 2" THICK WITH ALUMINUM CLADDING .063" THICK.
8. DOOR PANEL AND SIDELITE MATERIAL: PVC FOAM TOP AND BOTTOM RAILS, AND PVC FOAM VERTICAL STILES WITH PINE REINFORCEMENTS AND POLYURETHANE FOAM CORE.
9. APPROVED CONFIGURATIONS: OX, XO, AND OXXO. SEE SHEET 2.

SERIES SPLS GLIDING PATIO DOUBLE DOOR W/ SIDELITES
EXTERIOR VIEW

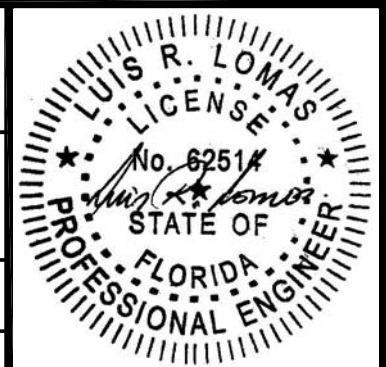
DESIGN PRESSURE RATING	IMPACT RATING
±50PSF	LARGE AND SMALL MISSILE IMPACT

MISSILE LEVEL D, WIND ZONE 4 AND HVHZ

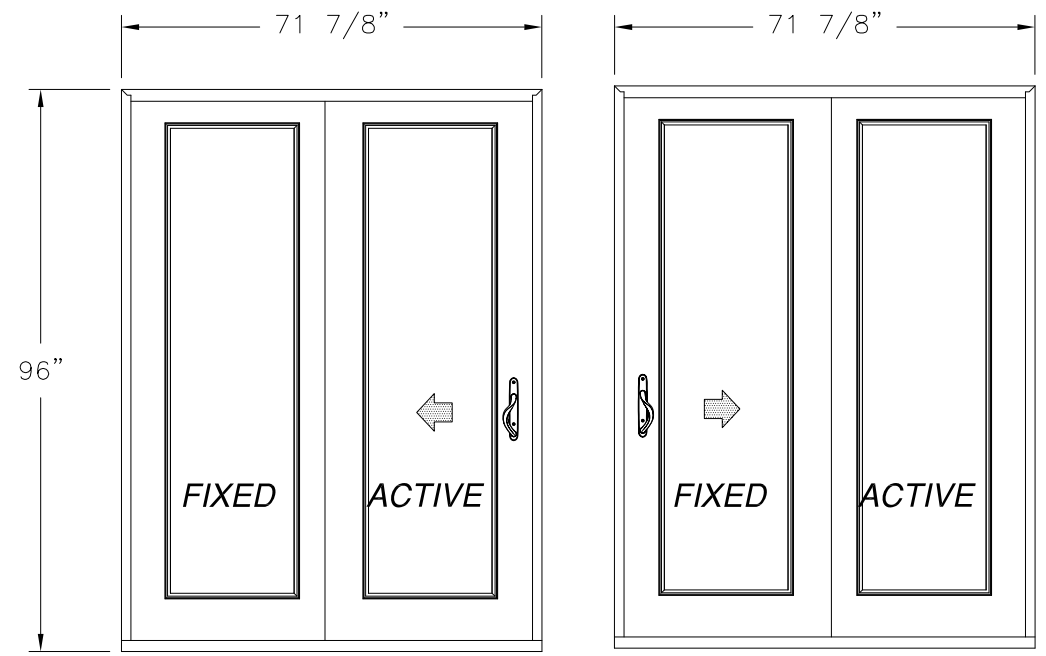
SIGNED: 01/21/2013

TABLE OF CONTENTS	
SHEET NO.	DESCRIPTION
1	OXXO ELEVATION AND NOTES
2	ADDITIONAL CONFIGURATIONS ANCHOR LAYOUTS & HARDWARE
3 - 5	INSTALLATION DETAILS

NAN YA PLASTICS CORP. USA 8989 NORTH LOOP EAST HOUSTON, TX 77029		
SERIES SPLS GLIDING PATIO DOOR FIBERGLASS SLIDING DOOR W/ SIDELITES OXXO ELEVATION AND NOTES		
DRAWN: A.P.	DWG NO. 08-01664	REV -
SCALE NTS	DATE 07/03/12	SHEET 1 OF 5

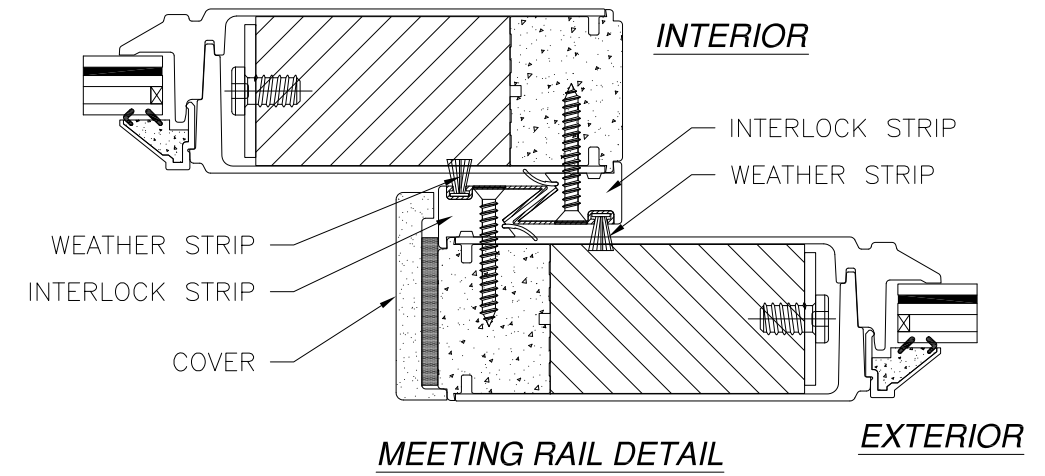


REVISIONS			
REV	DESCRIPTION	DATE	APPROVED

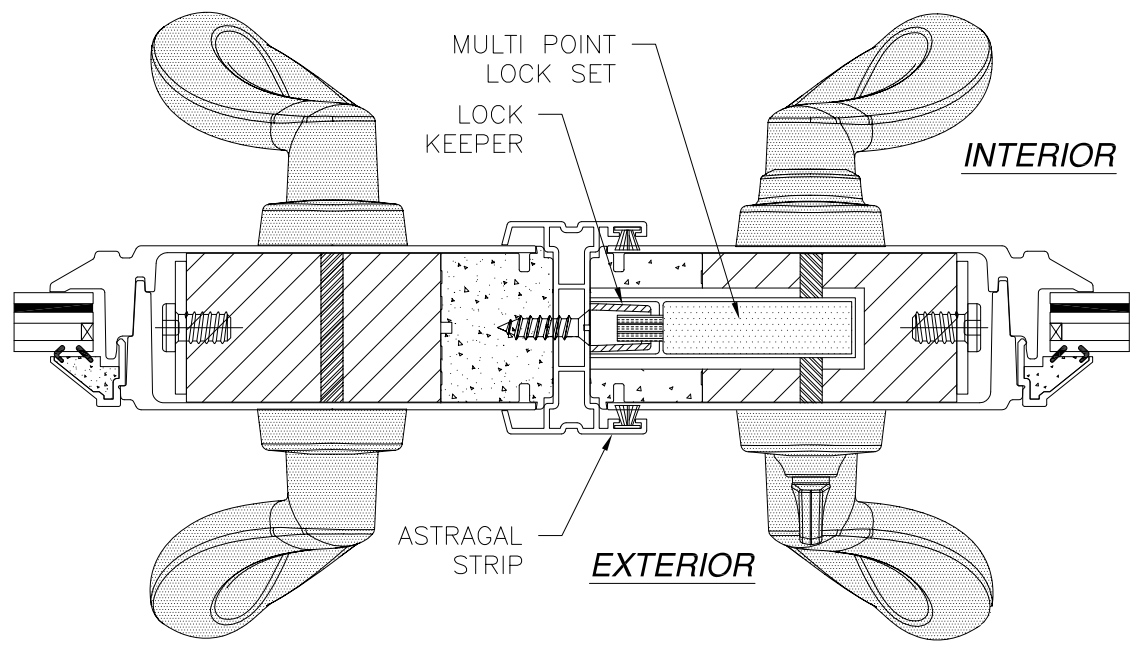


SINGLE W/SIDELITE
EXTERIOR VIEW

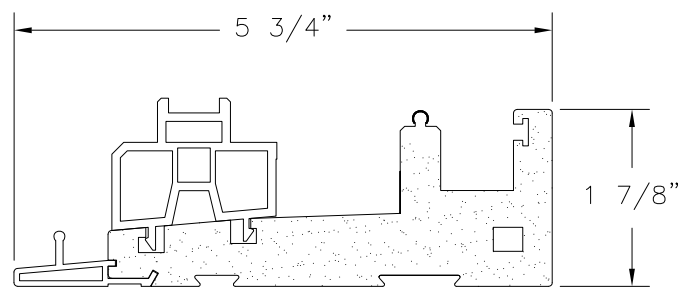
SINGLE W/SIDELITE
EXTERIOR VIEW



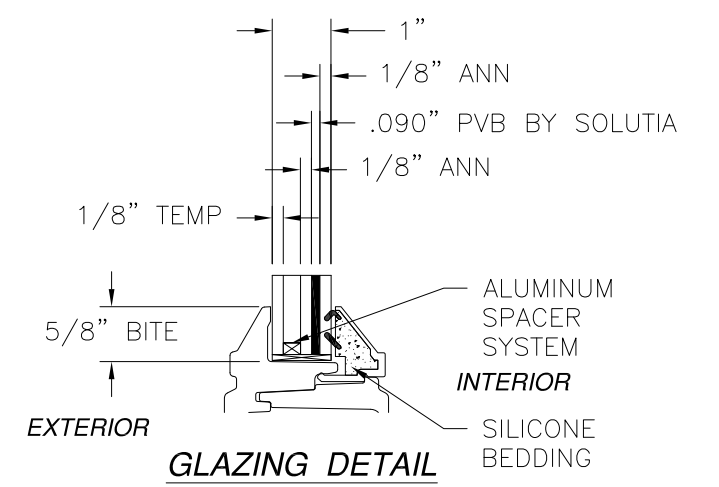
MEETING RAIL DETAIL



ASTRAGAL DETAIL



DOOR SILL



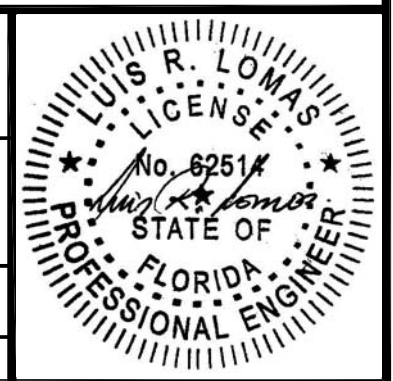
GLAZING DETAIL

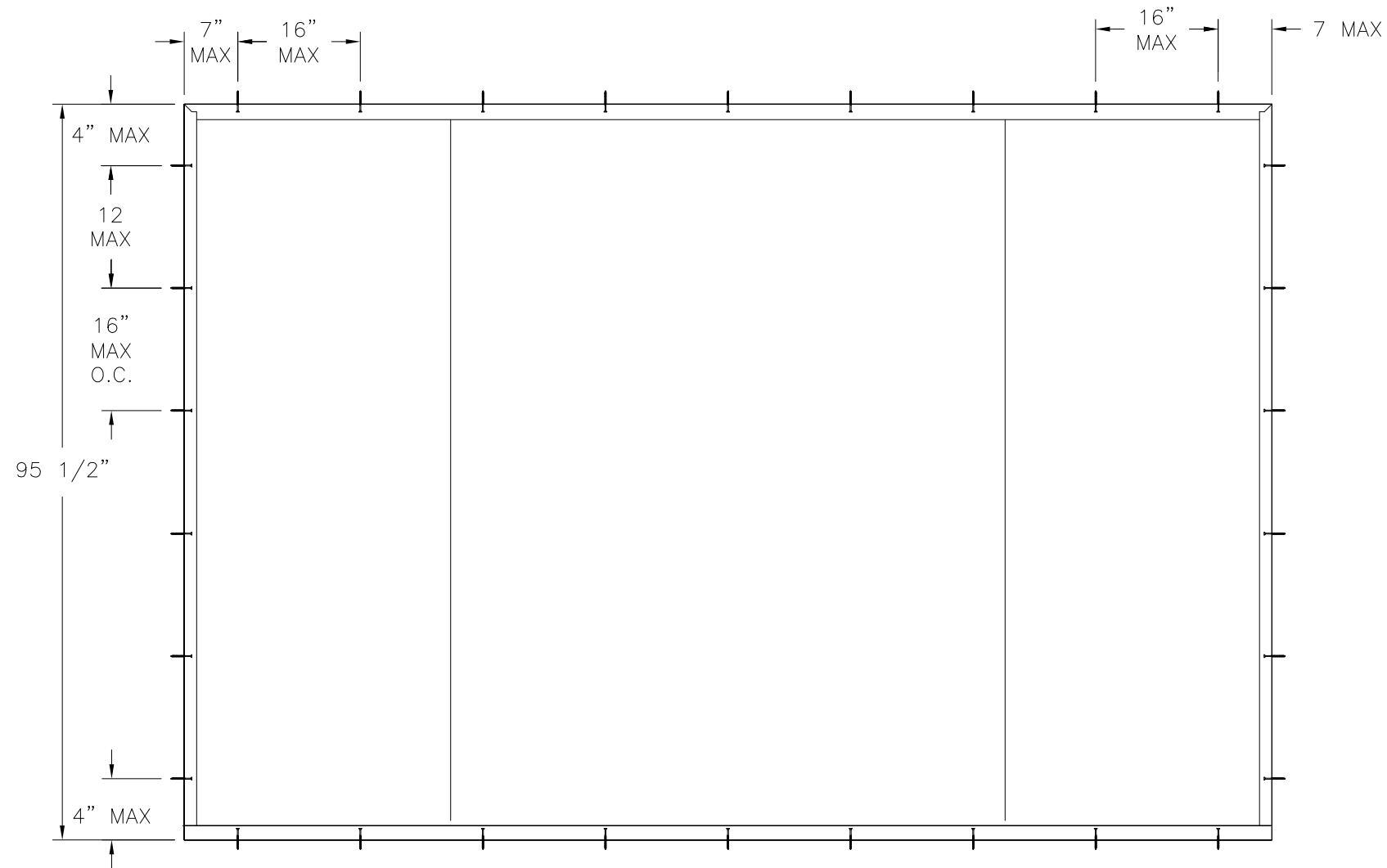
HARDWARE SCHEDULE	
A.	MULTI POINT LOCKING SYSTEM
B.	(1) DIE CAST HANDLE SET PER ACTIVE PANEL
C.	(2) STAINLESS STEEL TANDEM ROLLERS PER PANEL
D.	PVC ASTRAGAL BY NAN YA PLASTICS

NAN YA PLASTICS CORP. USA
8989 NORTH LOOP EAST
HOUSTON, TX 77029

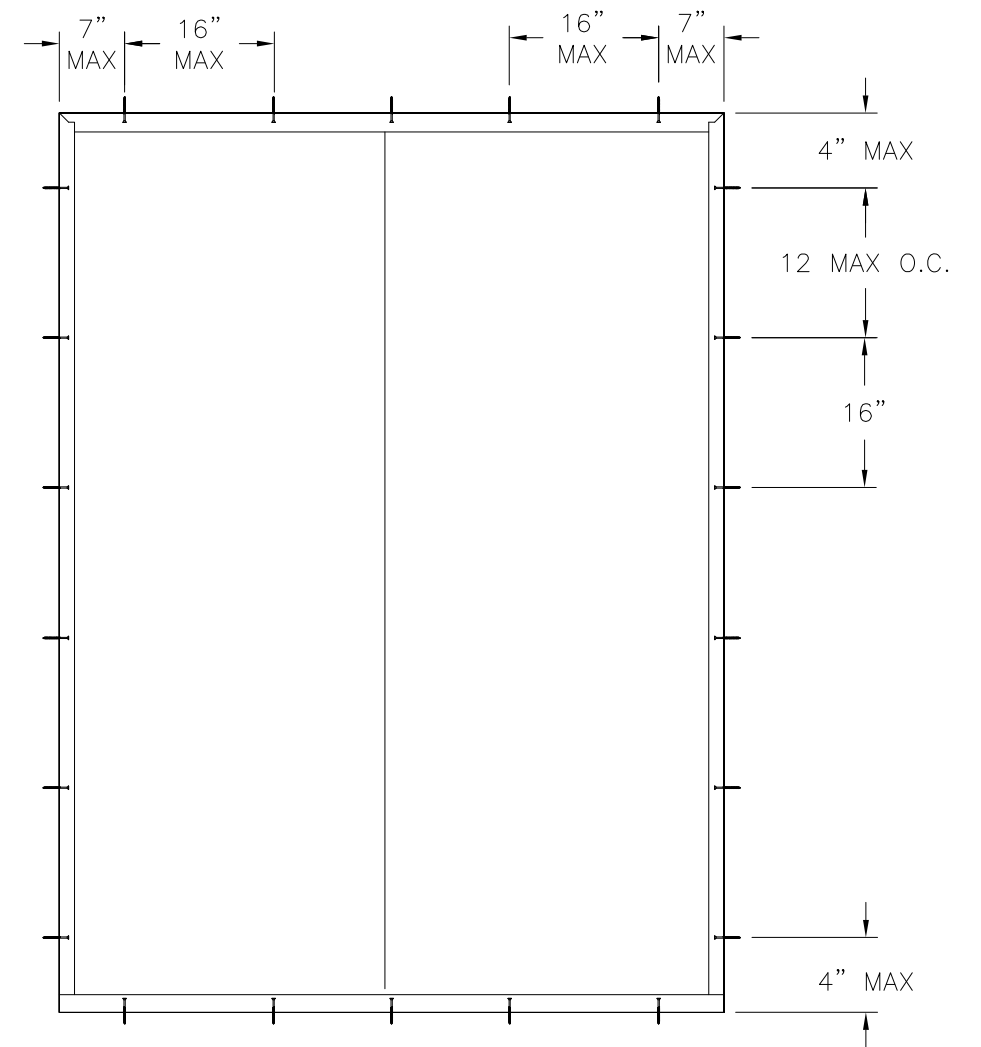
SERIES SPLS GLIDING PATIO DOOR
FIBERGLASS SLIDING DOOR W/ SIDELITES
ADDITIONAL CONFIGURATIONS AND HARDWARE

DRAWN: A.P.	DWG NO. 08-01664	REV -
SCALE NTS	DATE 07/03/12	SHEET 2 OF 5





ANCHORING LAYOUT FOR DOUBLE W/SIDELITES
EXTERIOR VIEW



ANCHORING LAYOUT FOR SINGLE W/SIDELITE
EXTERIOR VIEW

REVISIONS			
REV	DESCRIPTION	DATE	APPROVED

ANCHORING NOTES:

- SHIM AS REQUIRED AT EACH INSTALLATION ANCHOR WITH LOAD BEARING SHIM. SHIM WHERE SPACE OF 1/16" OR GREATER OCCURS. MAXIMUM ALLOWABLE SHIM STACK TO BE 1/4".
- FOR ANCHORING INTO WOOD FRAMING OR 2X BUCK USE #10 WOOD SCREWS WITH SUFFICIENT LENGTH TO ACHIEVE A 1 3/8" MINIMUM EMBEDMENT INTO SUBSTRATE. LOCATE ANCHORS AS SHOWN IN ELEVATIONS AND INSTALLATION DETAILS.
- FOR ANCHORING INTO MASONRY/CONCRETE USE 3/16" TAPCONS WITH SUFFICIENT LENGTH TO ACHIEVE A 1 1/4" MINIMUM EMBEDMENT INTO SUBSTRATE WITH 2 5/8" MINIMUM EDGE DISTANCE. LOCATE ANCHORS AS SHOWN IN ELEVATIONS AND INSTALLATION DETAILS.
- ALL FASTENERS TO BE CORROSION RESISTANT.
- INSTALLATION ANCHORS SHALL BE INSTALLED IN ACCORDANCE WITH ANCHOR MANUFACTURER'S INSTALLATION INSTRUCTIONS AND ANCHORS SHALL NOT BE USED IN SUBSTRATES WITH STRENGTHS LESS THAN THE MINIMUM STRENGTH SPECIFIED BELOW:
 - WOOD - MINIMUM SPECIFIC GRAVITY OF G=0.42
 - CONCRETE - MINIMUM COMPRESSIVE STRENGTH OF 3,192 PSI.
 - MASONRY - STRENGTH CONFORMANCE TO ASTM C-90, GRADE N, TYPE 1 (OR GREATER).

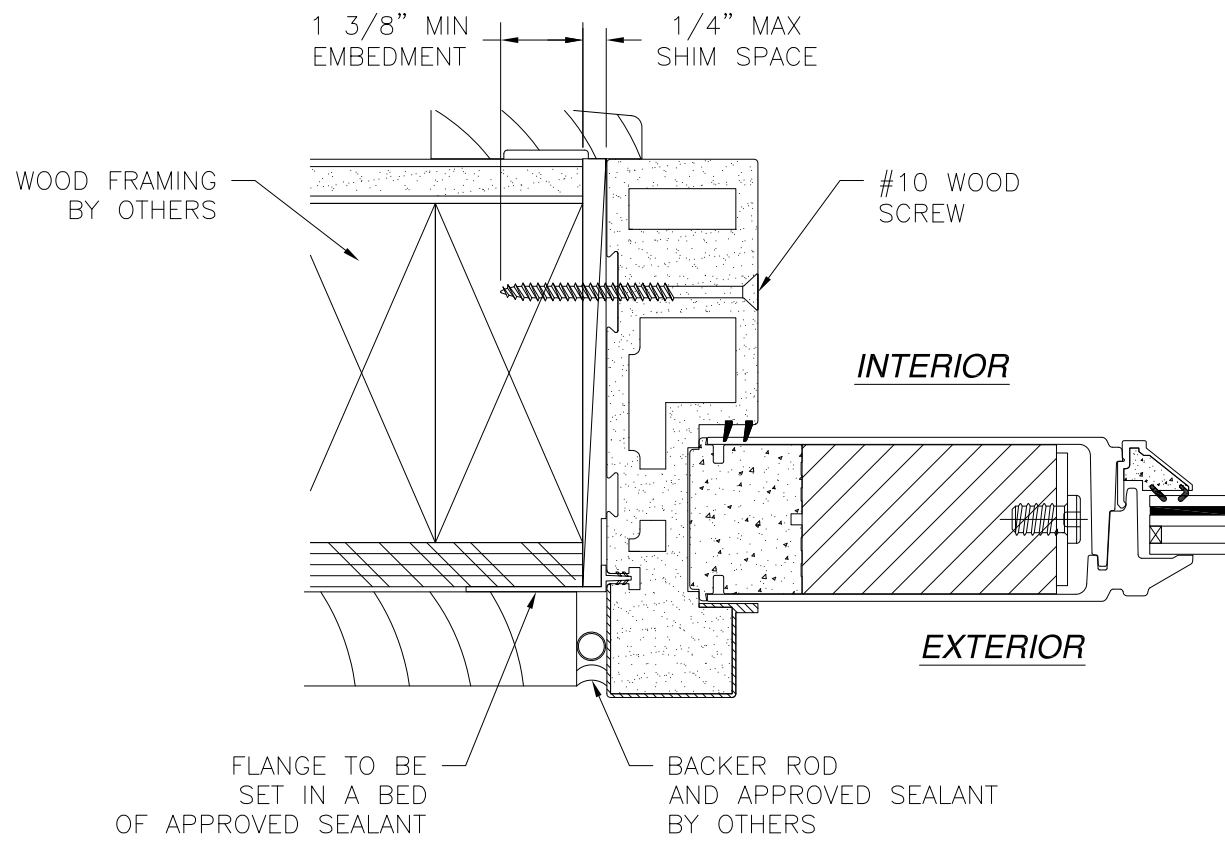
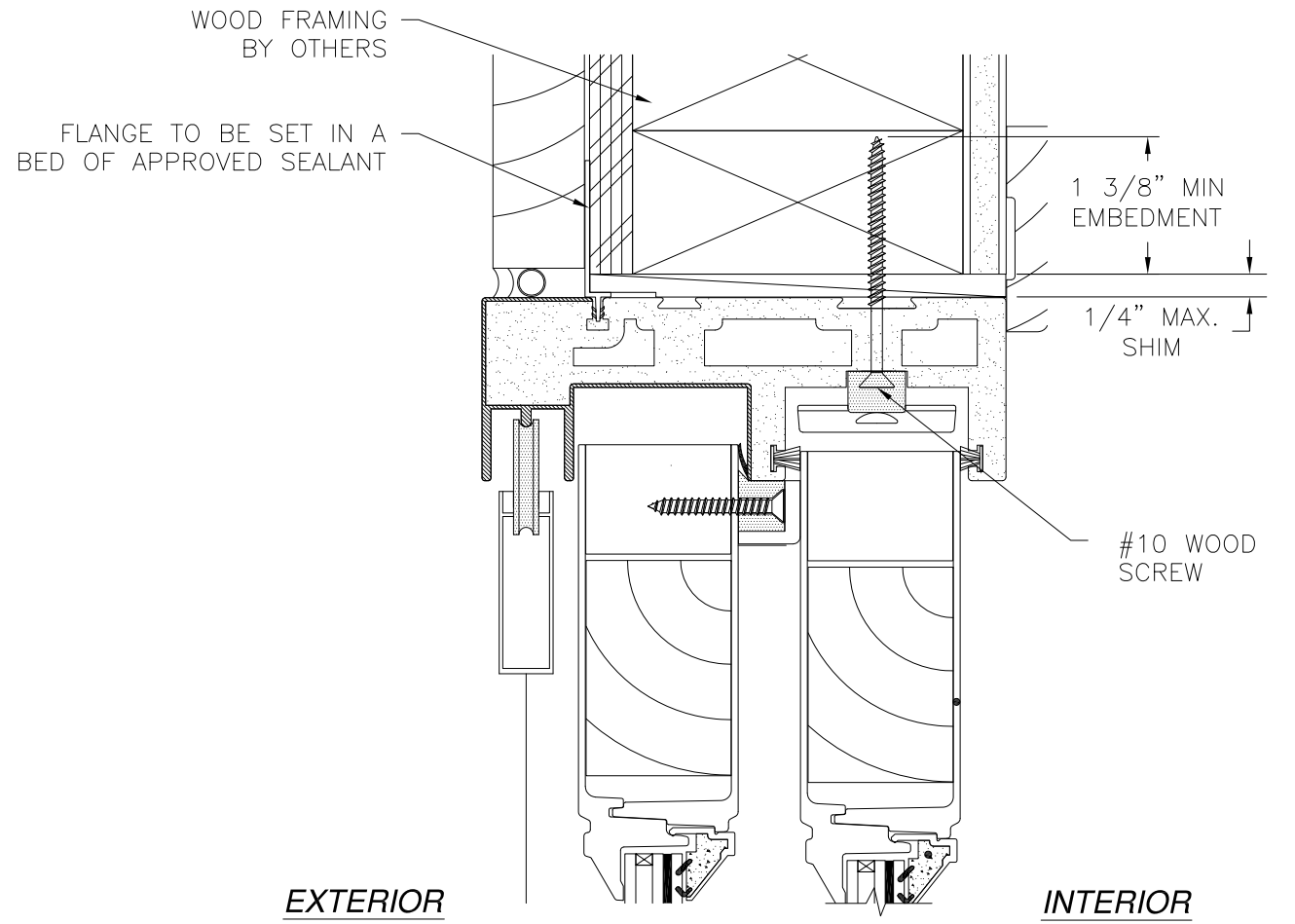
NAN YA PLASTICS CORP. USA
8989 NORTH LOOP EAST
HOUSTON, TX 77029

SERIES SPLS GLIDING PATIO DOOR
FIBERGLASS SLIDING DOOR W/ SIDELITES
ADDITIONAL CONFIGURATION AND HADWARE

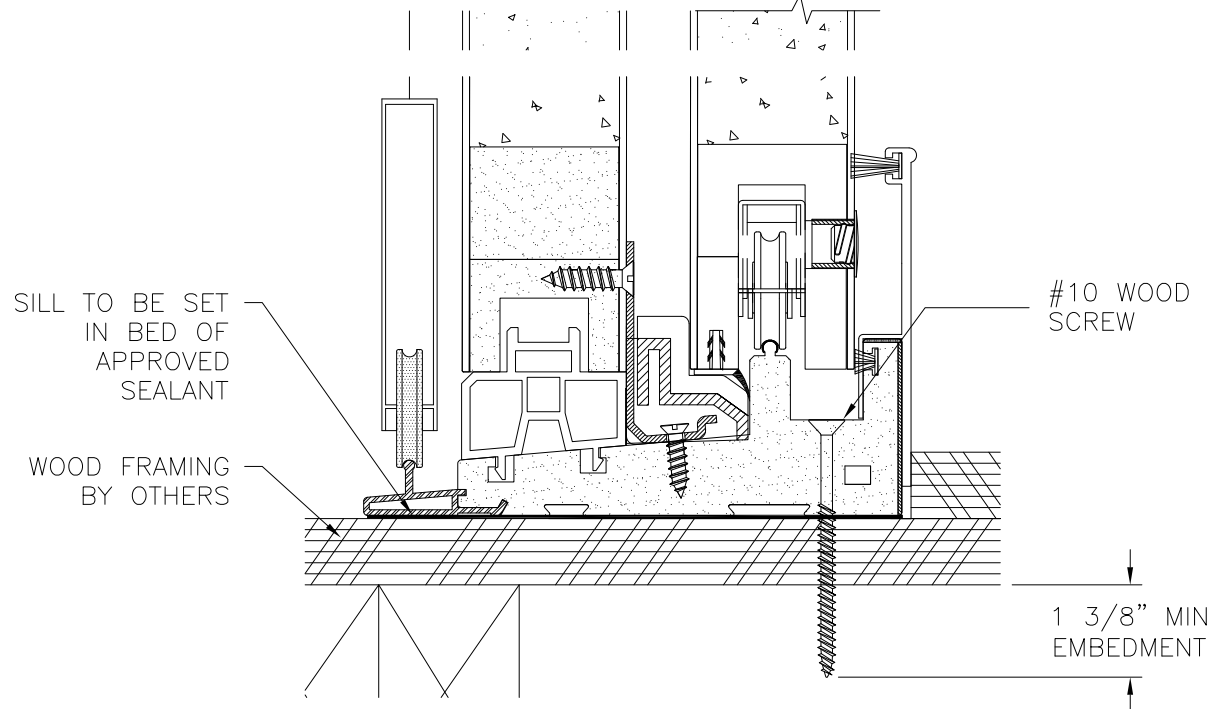
DRAWN: A.P.	DWG NO. 08-01664	REV -
SCALE NTS	DATE 07/03/12	SHEET 3 OF 5



REVISIONS			
REV	DESCRIPTION	DATE	APPROVED



HORIZONTAL CROSS SECTION
2X BUCK/WOOD FRAMING INSTALLATION

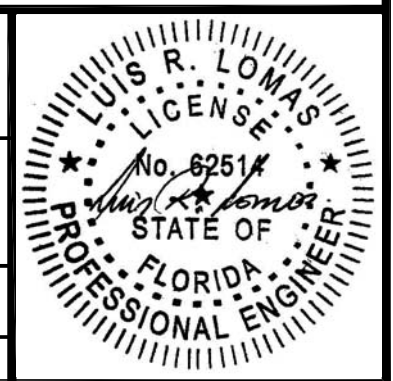


VERTICAL CROSS SECTION
DOOR SHOWN, SIDELITE SIMILAR
2X BUCKWOOD FRAMING INSTALLATION

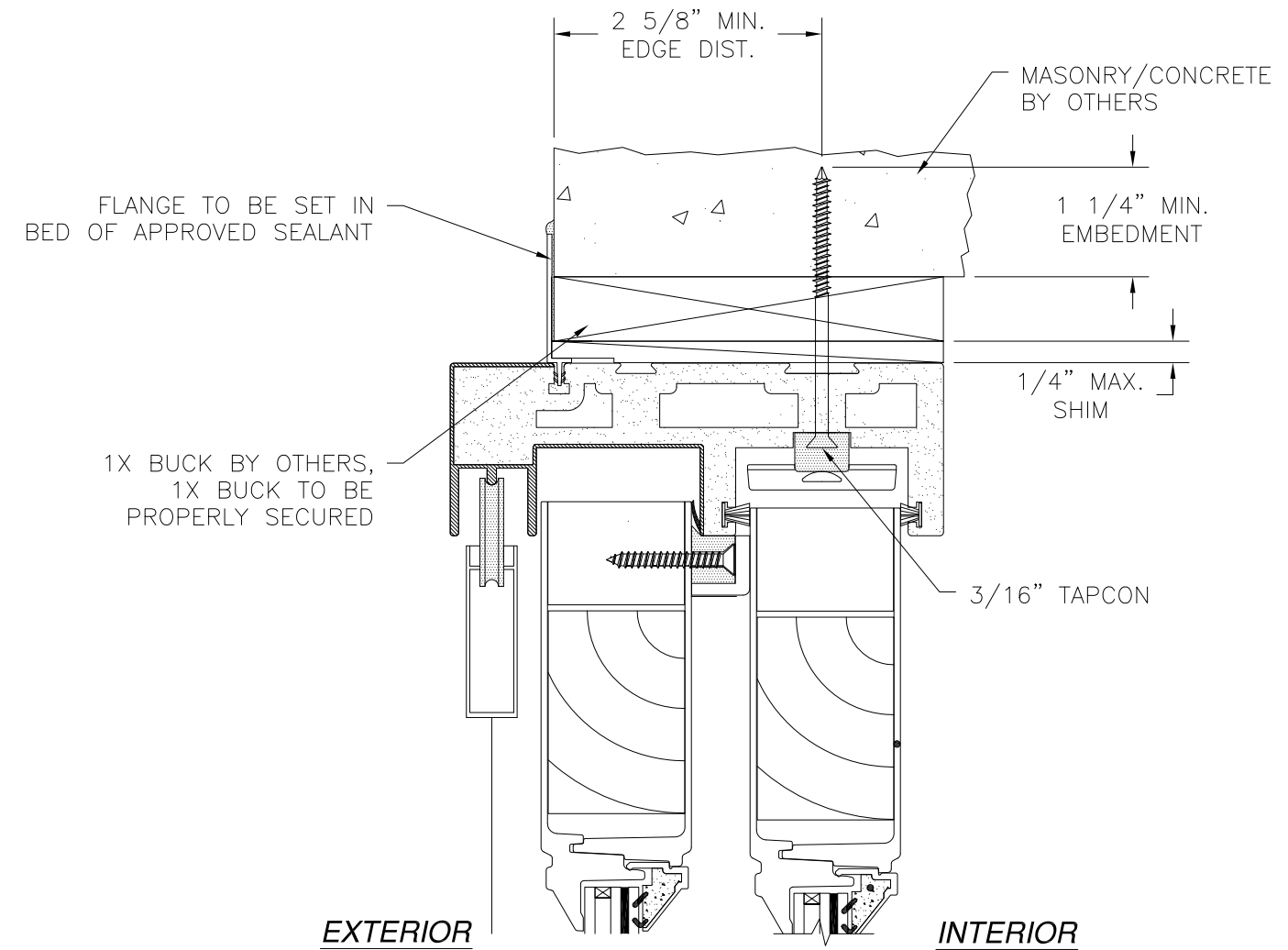
NAN YA PLASTICS CORP. USA
8989 NORTH LOOP EAST
HOUSTON, TX 77029

SERIES SPLS GLIDING PATIO DOOR
FIBERGLASS SLIDING DOOR W/ SIDELITES
INSTALLATION DETAILS

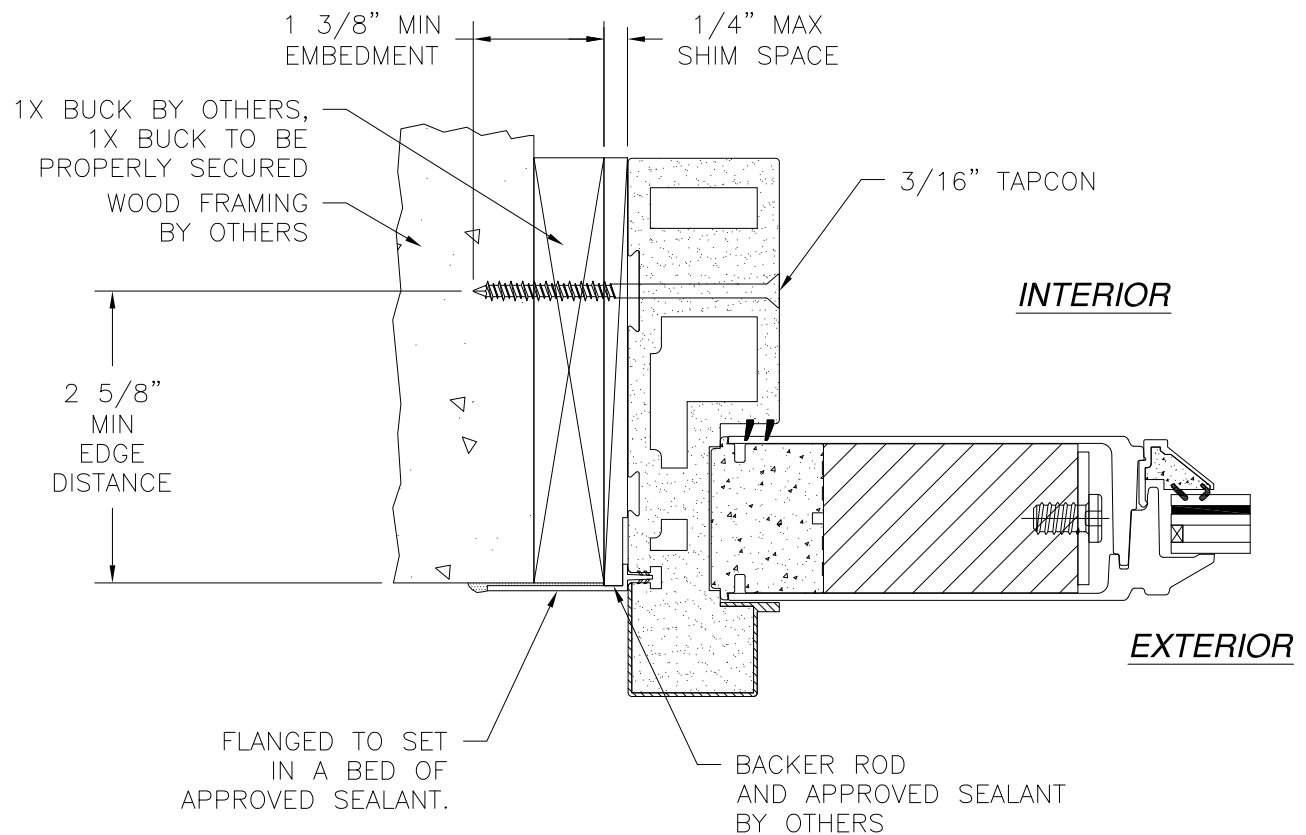
DRAWN: A.P.	DWG NO. 08-01664	REV -
SCALE NTS	DATE 07/03/12	SHEET 4 OF 5



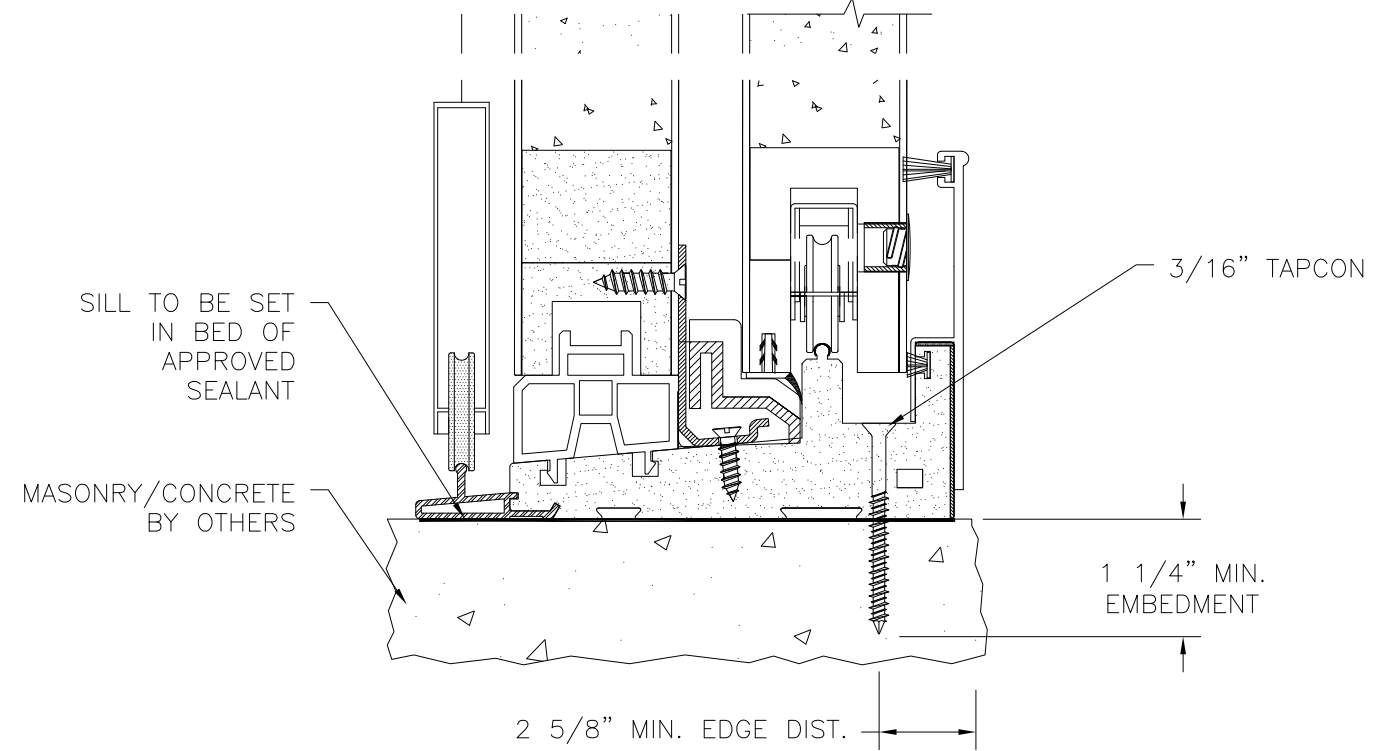
REVISIONS			
REV	DESCRIPTION	DATE	APPROVED



EXTERIOR INTERIOR



HORIZONTAL CROSS SECTION
MASONRY/CONCRETE INSTALLATION



VERTICAL CROSS SECTION
MASONRY/CONCRETE INSTALLATION
DOOR SHOWN SIDELITE SIMILAR

NAN YA PLASTICS CORP. USA
8989 NORTH LOOP EAST
HOUSTON, TX 77029

SERIES SPLS GLIDING PATIO DOOR
FIBERGLASS SLIDING DOOR W/ SIDELITES
INSTALLATION DETAILS

DRAWN: A.P.	DWG NO. 08-01664	REV -
SCALE NTS	DATE 07/03/12	SHEET 5 OF 5

