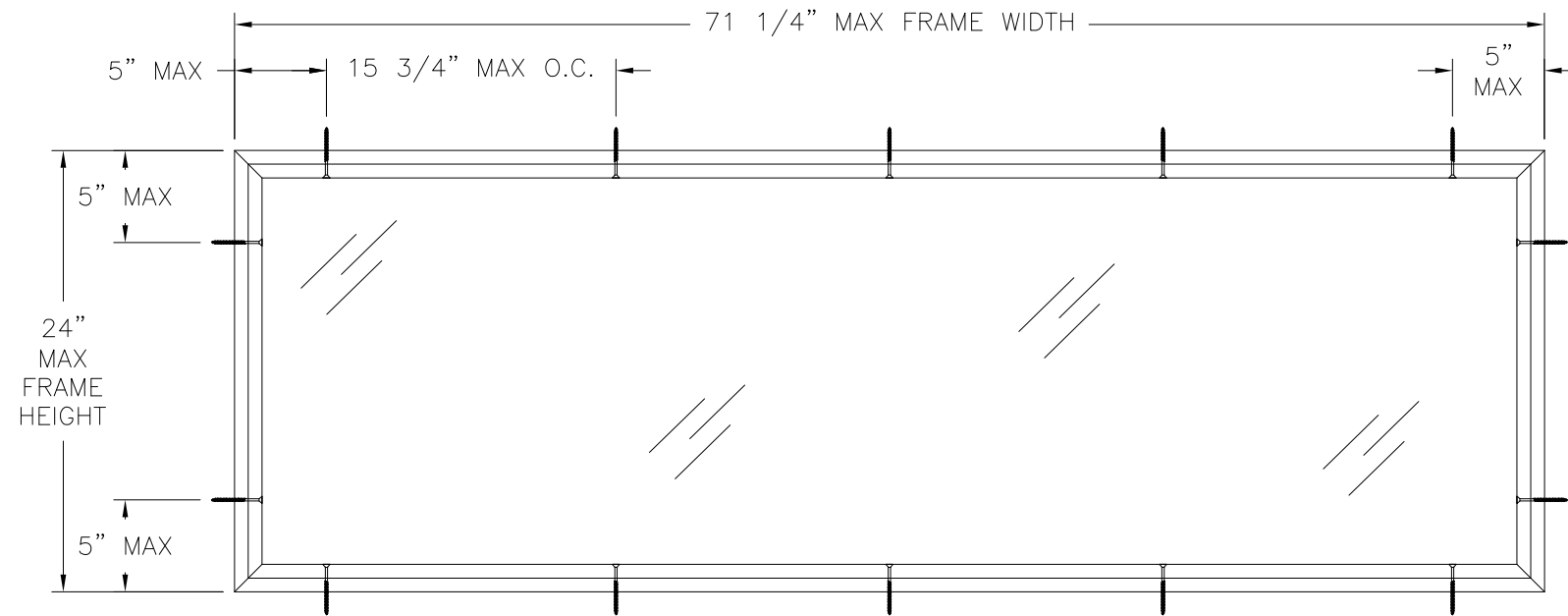
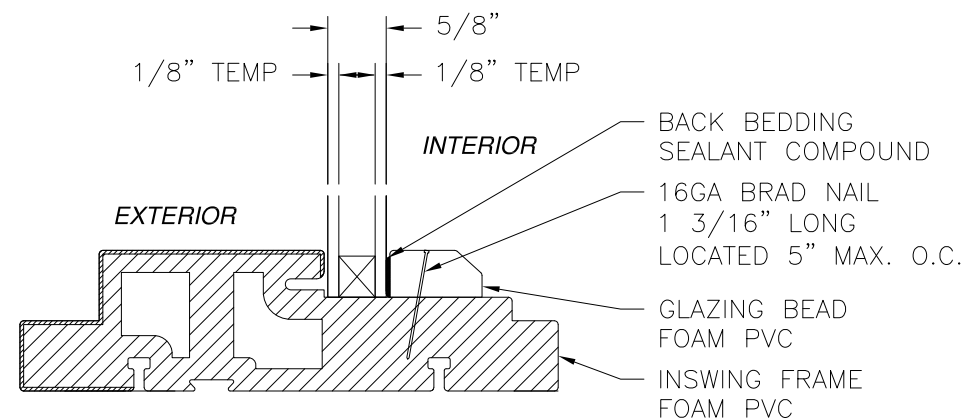


REVISIONS			
REV	DESCRIPTION	DATE	APPROVED
B	REVISED INSTALLATION DETAILS	02/01/16	R.L.
C	REVISED PER NEW REQUIREMENTS	10/05/2020	R.L.



**GTI 6020 GLAZED TRANSOM**  
EXTERIOR VIEW

DESIGN PRESSURE RATING	IMPACT RATING
±80.0PSF	NONE



**GLAZING DETAIL**

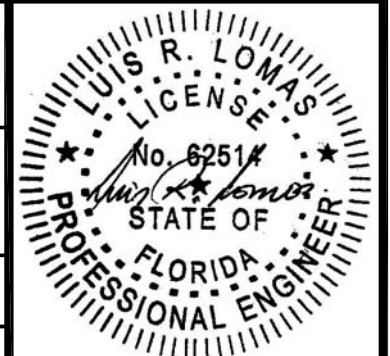
TABLE OF CONTENTS	
SHEET NO.	DESCRIPTION
1	ELEVATIONS AND NOTES
2	INSTALLATION DETAILS

**NOTES:**

- THE PRODUCT SHOWN HEREIN IS DESIGNED AND MANUFACTURED TO COMPLY WITH REQUIREMENTS OF THE FLORIDA BUILDING CODE.
- WOOD FRAMING AND MASONRY OPENING TO BE DESIGNED AND ANCHORED TO PROPERLY TRANSFER ALL LOADS TO STRUCTURE. FRAMING AND MASONRY OPENING IS THE RESPONSIBILITY OF THE ARCHITECT OR ENGINEER OF RECORD.
- 1X BUCK OVER MASONRY/CONCRETE IS OPTIONAL. WHERE 1X BUCK IS NOT USED DISSIMILAR MATERIALS MUST BE SEPARATED WITH APPROVED COATING OR MEMBRANE. SELECTION OF COATING OR MEMBRANE IS THE RESPONSIBILITY OF THE ARCHITECT OR ENGINEER OF RECORD.
- ALLOWABLE STRESS INCREASE OF 1/3 WAS NOT USED IN THE DESIGN OF THE PRODUCT SHOWN HEREIN. WIND LOAD DURATION FACTOR  $C_d=1.6$  WAS USED FOR WOOD ANCHOR CALCULATIONS.
- FRAME MATERIAL: EXTRUDED RIGID FOAM PVC.
- UNITS MUST BE GLAZED PER ASTM E1300-04, SEE SHEET 1 FOR GLASS DETAILS.
- APPROVED IMPACT PROTECTIVE SYSTEM IS REQUIRED FOR THIS PRODUCT IN WIND BORNE DEBRIS REGIONS.
- SHIM AS REQUIRED AT EACH INSTALLATION ANCHOR WITH LOAD BEARING SHIM. SHIM WHERE SPACE OF 1/16" OR GREATER OCCURS. MAXIMUM ALLOWABLE SHIM STACK TO BE 1/4".
- FOR ANCHORING INTO WOOD FRAMING OR 2X BUCK USE #10 WOOD SCREWS WITH SUFFICIENT LENGTH TO ACHIEVE A 1 3/8" MINIMUM EMBEDMENT INTO SUBSTRATE. LOCATE ANCHORS AS SHOWN IN ELEVATIONS AND INSTALLATION DETAILS.
- FOR ANCHORING INTO MASONRY/CONCRETE USE 3/16" TAPCONS WITH SUFFICIENT LENGTH TO ACHIEVE A 1 1/4" MINIMUM EMBEDMENT INTO SUBSTRATE WITH 2 5/8" MINIMUM EDGE DISTANCE. LOCATE ANCHORS AS SHOWN IN ELEVATIONS AND INSTALLATION DETAILS.
- ALL FASTENERS TO BE CORROSION RESISTANT.
- INSTALLATION ANCHORS SHALL BE INSTALLED IN ACCORDANCE WITH ANCHOR MANUFACTURER'S INSTALLATION INSTRUCTIONS AND ANCHORS SHALL NOT BE USED IN SUBSTRATES WITH STRENGTHS LESS THAN THE MINIMUM STRENGTH SPECIFIED BELOW:
  - WOOD – MINIMUM SPECIFIC GRAVITY OF  $G=0.42$
  - CONCRETE – MINIMUM COMPRESSIVE STRENGTH OF 3,192 PSI.
  - MASONRY – STRENGTH CONFORMANCE TO ASTM C-90, GRADE N, TYPE 1 (OR GREATER).
- TRANSOM UNITS MAY BE INSTALLED VERTICALLY OR HORIZONTALLY.

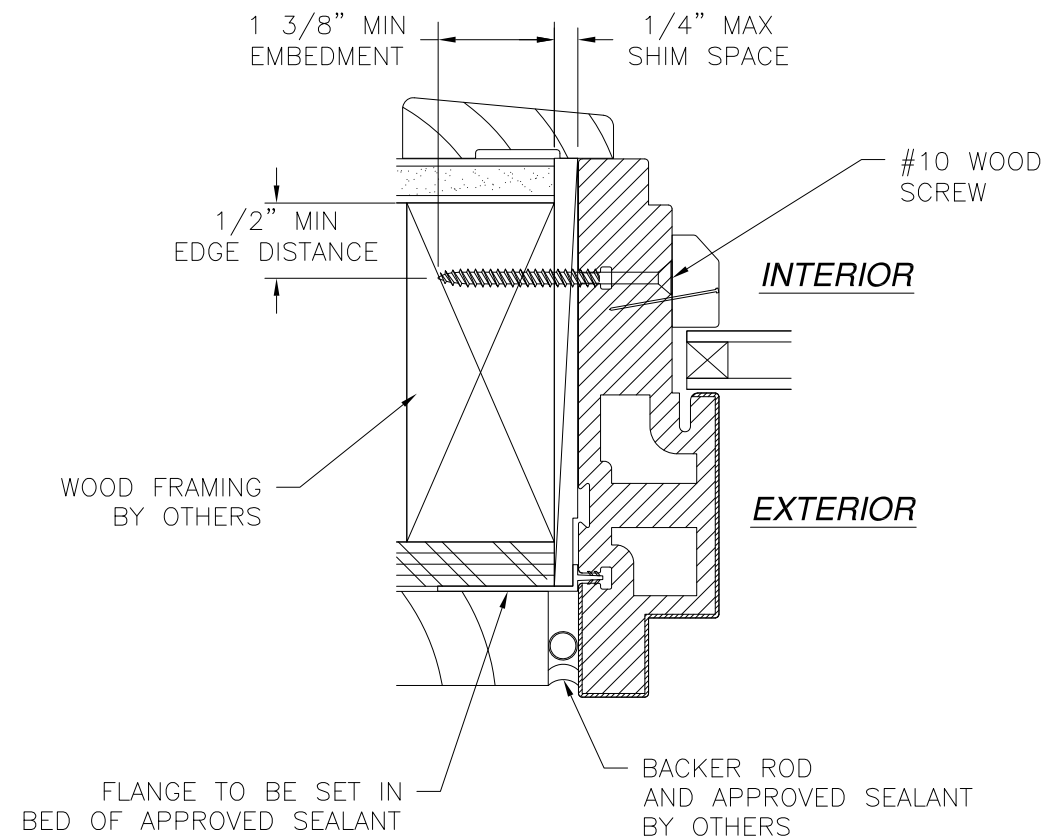
SIGNED: 10/05/2020

<b>NAN YA PLASTICS CORP. USA</b> 8989 NORTH LOOP EAST HOUSTON, TX 77029		
GTI 6020 GLAZED TRANSOM VINYL FIXED WINDOW ELEVATION AND NOTES		
DRAWN: V.L.	DWG NO. 08-01546	REV C
SCALE NTS	DATE 04/13/12	SHEET 1 OF 2
L. ROBERTO LOMAS P.E. 1432 WOODFORD RD LEWISVILLE, NC 27023 434-688-0609 rllomas@rlomaspe.com		

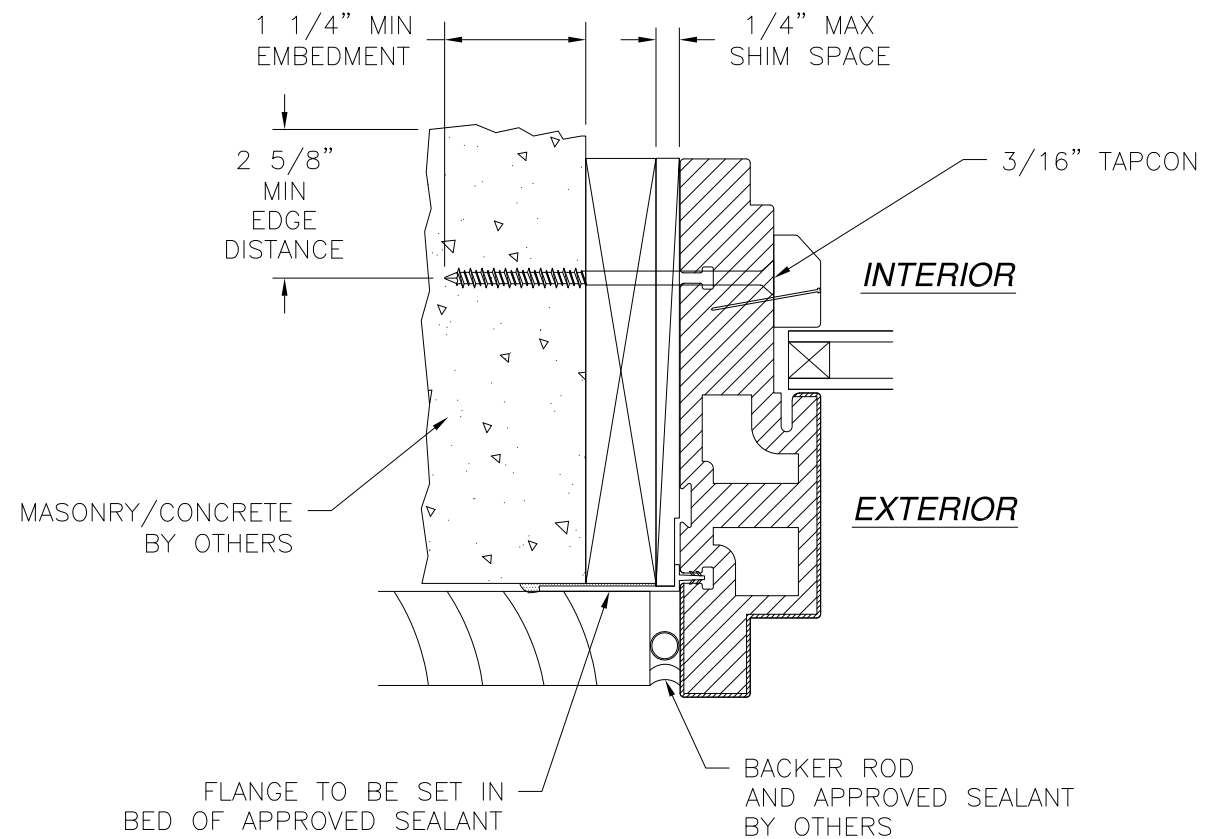


Luis R. Lomas P.E.  
FL No.: 62514

REVISIONS			
REV	DESCRIPTION	DATE	APPROVED
B	REVISED INSTALLATION DETAILS	02/01/16	R.L.
C	REVISED PER NEW REQUIREMENTS	10/05/2020	R.L.



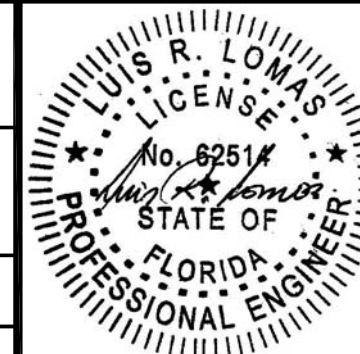
**HORIZONTAL CROSS SECTION**  
**2X BUCK/WOOD FRAMING INSTALLATION**  
**JAMB SHOWN HEAD AND SILL SIMILAR**



**HORIZONTAL CROSS SECTION**  
**MASONRY/CONCRETE INSTALLATION**  
**JAMB SHOWN HEAD AND SILL SIMILAR**

SIGNED: 10/05/2020

NAN YA PLASTICS CORP. USA 8989 NORTH LOOP EAST HOUSTON, TX 77029		
GTI 6020 GLAZED TRANSOM VINYL FIXED WINDOW INSTALLATION DETAILS		
DRAWN: V.L.	DWG NO. 08-01546	REV C
SCALE NTS	DATE 04/13/12	SHEET 2 OF 2
L. ROBERTO LOMAS P.E. 1432 WOODFORD RD LEWISVILLE, NC 27023 434-688-0609 rllomas@rlomaspe.com		



Luis R. Lomas P.E.  
 FL No.: 62514