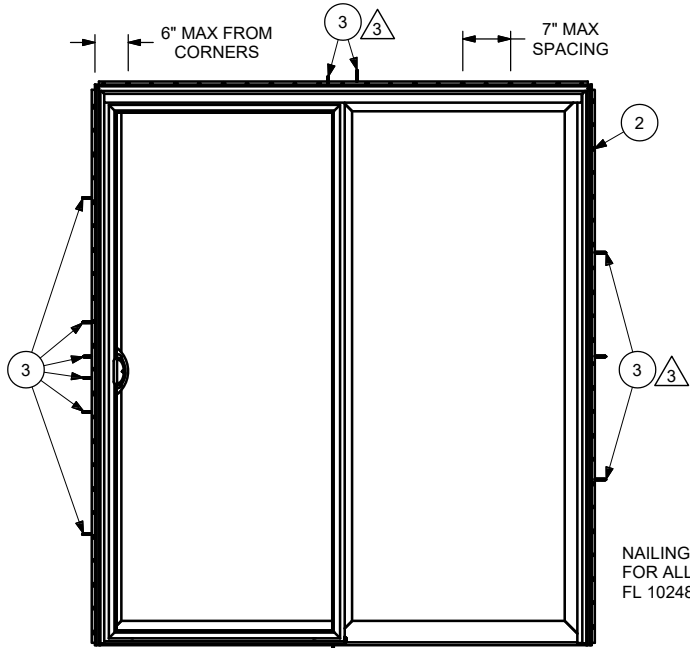
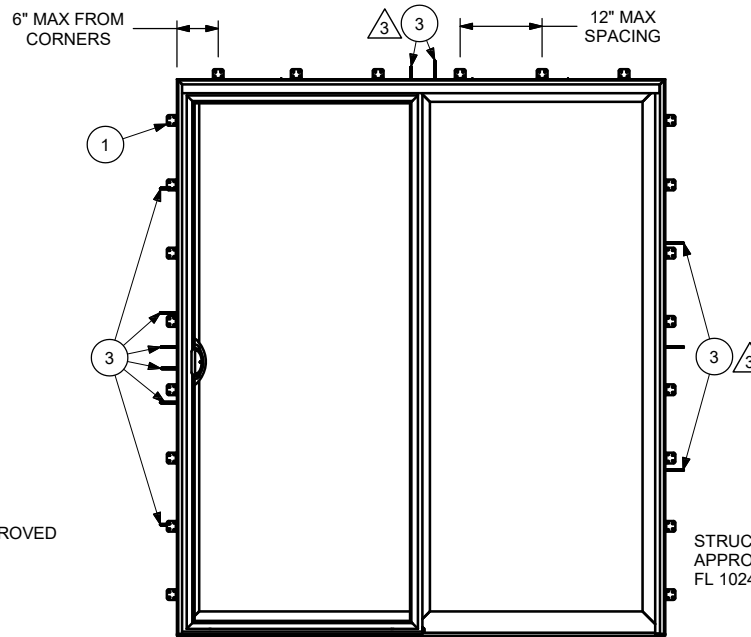


NAILING FIN INSTALLATION



NAILING FIN INSTALLATION IS APPROVED FOR ALL PRODUCTS. FL 10248

STRUCTURAL BRACKET INSTALLATION



STRUCTURAL BRACKET INSTALLATION IS APPROVED FOR ALL PRODUCTS. FL 10248

NOTES:


- 1. FOR GENERAL SPECIFICATIONS, REFER TO DOC 00003952
- 2. THIS PRINT IS FOR STRUCTURAL PERFORMANCE ONLY. FOR FLASHING AND SEALING INSTRUCTIONS REFER TO THE INSTALLATION INSTRUCTIONS
- △ 3. INSTALLATION SCREWS:
8-0 HEIGHTS - 3 IN STATIONARY JAMB
XOO/OOX UNITS - 4 IN HEADER, 1 IN SILL
OXO UNITS - 3 IN HEADER, 2 IN SILL
- △ 4. FOR STRUCTURAL BRACKETS, REFER TO DOCS 00038223 AND 00040437
- 5. FOR PAGE 1 OF 2, REFER TO DOC 00053679

CATEGORY:
SLIDING PATIO DOOR

UNIT TYPE:
ESSPD

9.1	UPDATED INSTALLATION (LEVELING BLOCK PROFILE)	24116	09/17/19	IAJ
9.0	UPDATED TITLE BLOCK AND BRANDING INFO	24116	06/19/19	TDG
8.1	UPDATED ASSEMBLY (PANEL SEAL PILE HEIGHT, JAMB THRU HOLES, ADDED JAMB BLOCKS)	20436	10/11/16	PIK
8.0	UPDATED ASSEMBLY (JAMB REFERENCE)	20436	08/21/14	MJR
7.1	UPDATED ASSEMBLY (STATIONARY INTERLOCK)	16746	04/03/13	BAJ
7.0	UPDATED SILL ASSEMBLY (HOLE 0.390 WAS 0.375)	16746	01/18/13	CAF
REV	DESCRIPTION / REQUESTOR	ECN NO	DATE	REV BY

5	NA	3/16" X 2.750" MASONRY SCREW
4	00003237	#8 X 1.500" PH, PH, AS THREAD
3	00003264	#8 X 3.000" PH, PH SCREW
2	NA	2.000 GALV. ROOFING NAIL
1	NA	STRUCTURAL BRACKET
ITEM	DWG NO	DESCRIPTION
PARTS LIST		

MARVIN  RESEARCH & DEVELOPMENT				
COLLECTION: ESSENTIAL				
DWG TYPE: INSTALLATION				
DESCRIPTION: FL 10248, SLIDING PATIO DOOR				
CHK: CAM 09/19/19	SIZE: B	CLASS: MISC	DWG NO: 00053754	
APP: JHS 09/19/19	SCALE: 1:18	DATE: 01/16/08	DWG BY: WAGNER, MICHAEL	SHEET: 2 OF 2

NOTICE - CONFIDENTIAL INFORMATION

The information in this document is privileged and strictly confidential. The information contained herein shall be used only by Marvin employees and by those agents or suppliers granted official written permission. If the reader of this document is not the intended recipient, or the employee or agent of the intended recipient, please delete this document from all data storage devices, and destroy all hard copies. Any unauthorized dissemination, distribution, copying or other use of the information contained in this document is strictly prohibited.