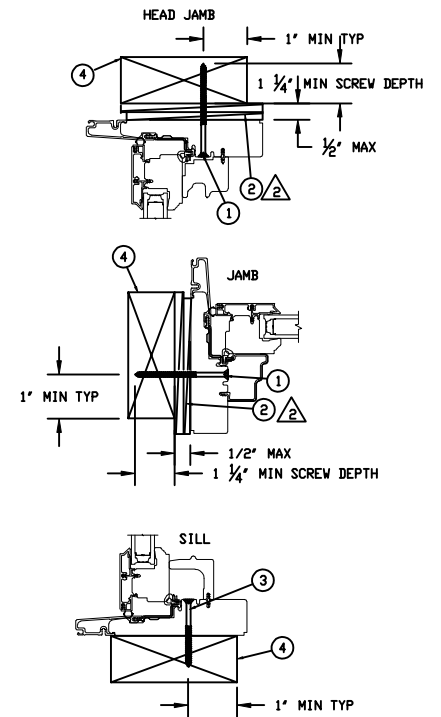
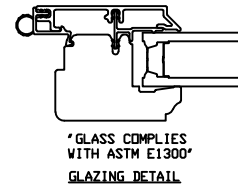
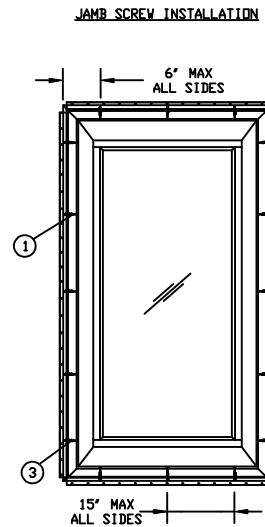


NARROW FRAME DETAILS



FULL FRAME DETAILS

JAMB SCREW INSTALLATION METHOD:

- UNIT MUST NOT BE IN DIRECT CONTACT WITH EITHER CONCRETE OR TREATED BUCK MATERIAL.
- IF SHIM SPACE IS LESS THAN 1/8" WRAPPING THE UNIT ON ALL 4 SIDES WITH WINDOW FLASHING TAPE IS REQUIRED AS A BARRIER BETWEEN THE UNIT AND CONCRETE OR TREATED LUMBER.
- SECURE JAMBS AND HEAD JAMBS WITH #8 X 3" SCREWS.
- SECURE THE SILL WITH #8 X 2 1/2" SCREWS.
- SHIM AT EACH SCREW LOCATION.

UNIT	MAX FRAME SIZE	DP RATING
UL AWN PD	32 X 35 1/8	+50/-50
UL AWN NF PD	32 X 35 1/8	+50/-50
UL AWN PD	40 X 48 1/8	+35/-35
UL AWN NF PD	40 X 48 1/8	+35/-35
UL AWN PD	72 X 48 1/8	+35/-35
UL AWN NF PD	72 X 48 1/8	+35/-35

NOTES FOR ALL METHODS:

- THIS PRINT IS FOR STRUCTURAL PERFORMANCE ONLY. FOR FLASHING & SEALING INSTRUCTIONS, REFER TO THE INSTALLATION INSTRUCTIONS.
- SHIMS-PLACE A SHIM WITHIN 4-6 INCHES OF EACH CORNER AND SPACE ALL OTHERS EVENLY A MAXIMUM OF 15" APART.
- IF CHEMICALLY TREATED LUMBER IS USED FOR BUCK MATERIAL, FASTENERS INTO THE BUCK MUST BE A MINIMUM OF 0.90 OZ/FT<sup>2</sup> ZINC HOT DIPPED GALVANIZED OR STAINLESS STEEL TYPE 304 OR 316.

CATEGORY:  
CASEMENT

UNIT TYPE:  
JAWNPO, UAWNNFPO

4	-----	WOOD BUCK BY OTHERS
3	-----	#8 X 2.5" WOOD SCREW
2	-----	SHIM
1	-----	#8 X 3.000 WOOD SCREW
ITEM NO	REF NO	DESCRIPTION

UNSPECIFIED TOLERANCES

DECIMALS: XX ± .03  
XXX ± .012

ANGLE DEG: ± .5

LINEAL: + .125  
- .000

FAB LINEAL: ± NA

MATERIAL:  
NA

**MARVIN** RESEARCH & DEVELOPMENT

COLLECTION: ULTIMATE

DWG TYPE: INSTALLATION  
DESCRIPTION: INSTALLATION FL# 10323

CHK: SIZE: B CLASS: MISC DWG NO: 00065838

APP: SCALE: NA DATE: 12/21/12 DWG BY: BORNEMAN, SKIP SHEET: 1 OF 1

NOTICE - CONFIDENTIAL INFORMATION

The information in this document is privileged and strictly confidential. The information contained herein shall be used only by Marvin Windows and Doors employees and by those agents or suppliers granted official written permission. If the reader of this document is not the intended recipient, or the employee or agent of the intended recipient, please delete this document from all data storage devices, and destroy all hard copies. Any unauthorized dissemination, distribution, copying or other use of the information contained in this document is strictly prohibited.