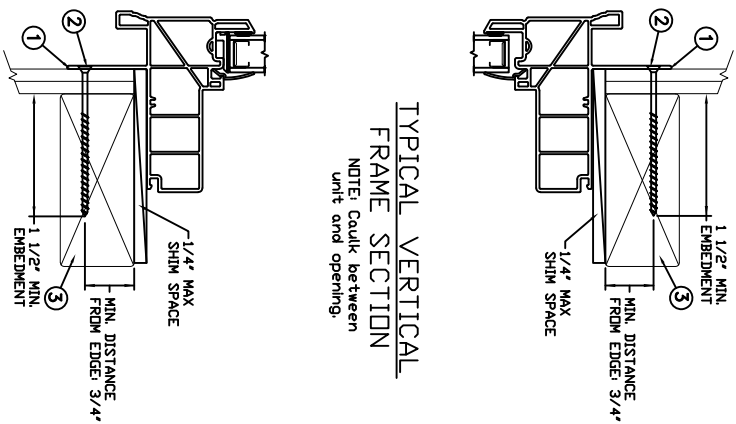


General Notes:

- The product shown herein is designed, tested and manufactured to comply with the wind load criteria of the adopted International Building Code (IBC), the International Residential Code (IRC), the Florida Building Code and the industry standard requirement for the stated conditions.
- All glazing shall conform to ASTM E1300.
- At minimum glazing shall be single strength annealed insulated glass.
- Use structural or composite shims where required.
- Installation methods can be interchanged within the same opening.
- An impact protective system is required where wind borne debris protection is required by local building code.
- Maximum sizes are buck sizes and do not include fin or flange.

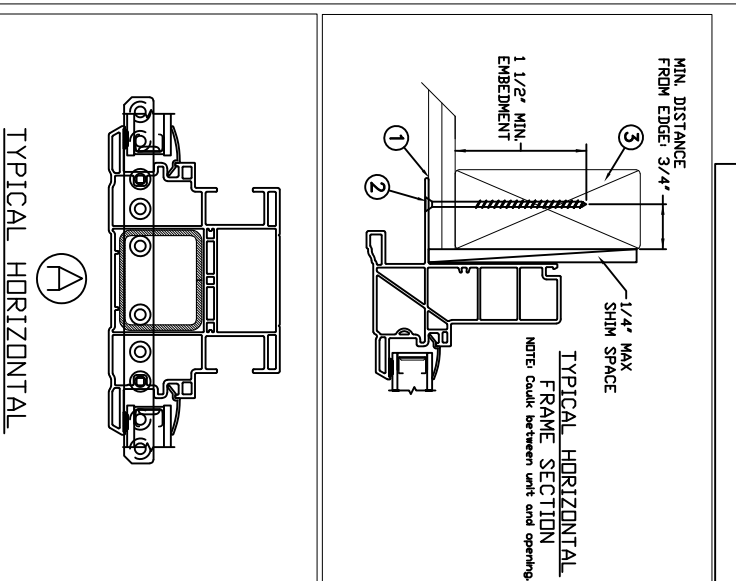
This schedule addresses only the fasteners required to anchor the product to achieve the rated design pressure and impact performance (where applicable) up to the size limitations noted. It is not intended as a guide to the installation process and does not address the sealing consideration that may arise in different wall conditions. For the complete installation procedure, see the instructions packaged with the window or go to www.jeld-wen.com/resources/installation.

This drawing and its contents are the property of JELD-WEN, Inc. and are for the expressed use of determining anchor requirements for this product only.



TYPICAL VERTICAL FRAME SECTION

NOTE: Caulk between unit and opening.



TYPICAL HORIZONTAL FRAME SECTION

NOTE: Caulk between unit and opening.

TYPICAL HORIZONTAL MULLION SECTION

Installation Notes:

1. Seal flange / frame to substrate.
2. Use #8 PH or greater fasteners through the nail fin with sufficient length to penetrate a minimum of 1 1/2" into the wood framing. For two by (2X) wood frame substrate (Min S.G. = 0.42)
3. Host structure (wood buck, stud framing and opening) to be designed and anchored to properly transfer all loads to the structure. The host structure is the responsibility of the architect or engineer of record for the project of installation.

Max Frame	DP	IMPACT
114" X 74"	+50/-50	ND

PROJECT ENGINEER:	DATE:	07/08/11
DRAWN BY:	SCALE:	NTS
N.HERTZOG	TITLE:	Brickmould Vinyl Triple Double Hung Fixed CHS Nail Fin Frame Installation (114" X 74")
CHECKED BY:		
APPROVED BY:		
PART/PROJECT NO.:		
IDENTIFIER NO.:	PLANT NAME AND LOCATION:	CAD DWG. NO.:
	Mount Vernon, OH	BLDG_FIBED_CHS_Trip_114x74_IBC
		REV:
		00
		SHEET
		1 of 1



3737 Lakeport Blvd.
Klamath Falls, OR 97601
(541) 882-3451

NAIL FIN