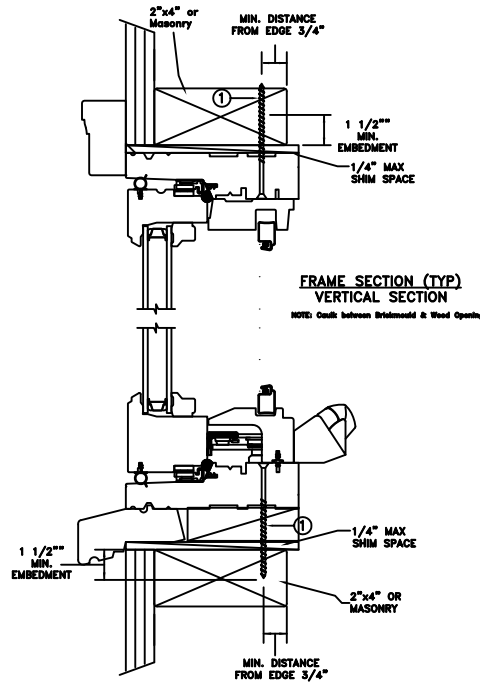


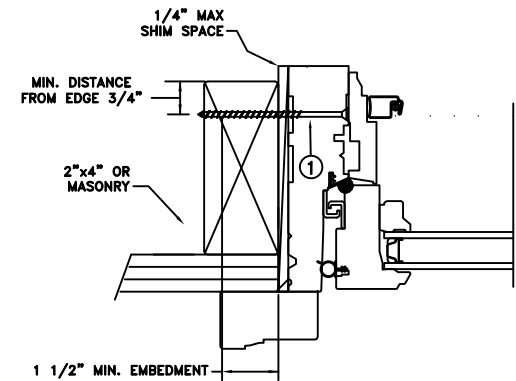
TYPICAL ELEVATION WITH FASTENER SPACING



FRAME SECTION (TYP)
VERTICAL SECTION

NOTE: Caulk between Brickmould & Wood Opening.

THRU JAMB INSTALLATION



FRAME JAMB SECTION (TYP)
HORIZONTAL SECTION

NOTE: Caulk between Brickmould & Wood Opening.

Max Frame	DP	IMPACT
36 x 84	+/-50	NO

Installed Fastener Schedule:

- All windows: install corrosion resistant #8 fasteners no more than 4" from each corner and 16" o.c. through the jambs on all sides of the window. Fasteners must be long enough to penetrate at least 1 1/2" into framing members.

General Notes:

- The product shown herein is designed and manufactured to comply with the current edition of the Florida building code.
- Buck, framing and masonry by others and is responsibility of architect or engineer of record.

This schedule addresses only the fasteners required to anchor the window to achieve the rated design pressure up to the size limitations noted. It is not intended as a guide to the installation process and does not address the sealing consideration that may arise in different wall conditions. For the complete installation procedure, see the instructions packaged with the window or go to www.jeld-wen.com.

DISCLAIMER:

This drawing and its contents are confidential and are not to be reproduced or copied in whole or in part or used or disclosed to others except as authorized by JELD-WEN Inc.

PROJECT ENGINEER: J. Hawkins	DATE: 04/13/2015	JELD-WEN	3737 Lakeport Blvd Klamath Falls, OR. 97601 Phone: 800-535-3936	
DRAWN BY: J. Allen	SCALE: NTS			
CHECKED BY: D. Vezo	TITLE:	Custom Wood Casement Operator Thru Jamb Installation (36" x 84")		
APPROVED BY: J. Kantola				
PART/PROJECT No.:				
D009290				
IDENTIFIER No. NA	PLANT NAME AND LOCATION: Bend, Oregon	CAD DWG. No.:	REV:	SHEET
		CustWdCaseOperInstall	00	1 of 1.