

TYPICAL ELEVATION WITH FASTENER SPACING

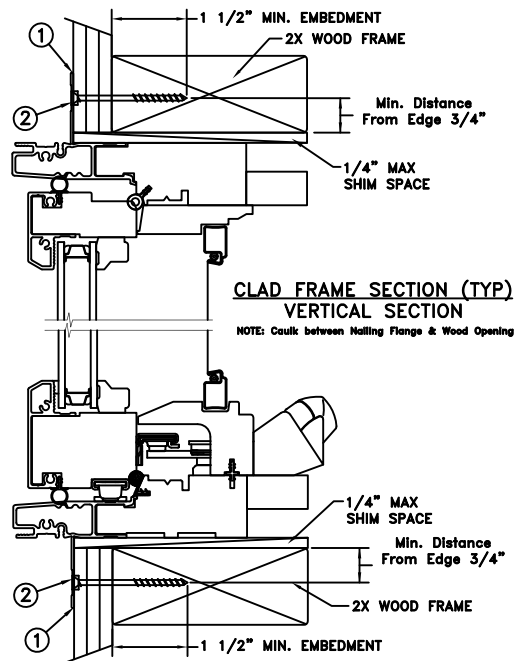
Installed Fastener Schedule:

1. Seal flange/frame to substrate.
2. Use #8 PH or greater fasteners through nail fin with sufficient length to penetrate a minimum of 1 1/2" into the wood framing. For 2X wood frame substrate (min. S.G. = 0.42).
3. Host structure (wood buck, stud framing and opening) to be designed and anchored to properly transfer all loads to the structure. The host structure is the responsibility of the architect or engineer of record for the project of installation.

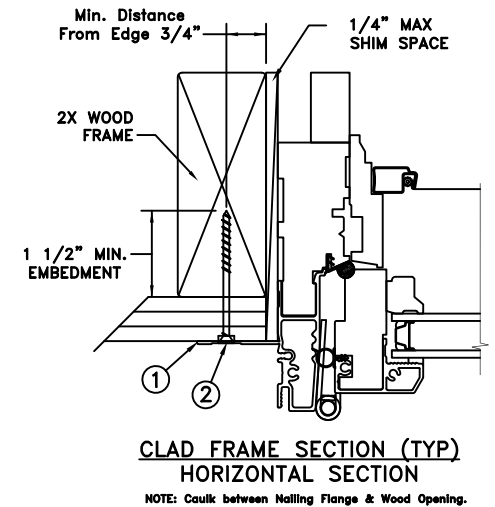
This schedule addresses only the fasteners required to anchor the window to achieve the rated design pressure up to the size limitations noted. It is not intended as a guide to the installation process and does not address the sealing consideration that may arise in different wall conditions. For the complete installation procedure, see the instructions packaged with the window or go to www.jeld-wen.com.

DISCLAIMER:

This drawing and its contents are confidential and are not to be reproduced or copied in whole or in part or used or disclosed to others except as authorized by JELD-WEN Inc.



NAIL FIN INSTALLATION



Max Frame	DP	IMPACT
30 x 84	+/-50	NO

General Notes:

1. The product shown herein is designed, tested and manufactured to comply with the wind load criteria of the adopted International Building Code (IBC), the International Residential Code (IRC), the Florida Building Code (FBC) and the industry standard requirement for the stated conditions.
2. Buck, framing and masonry by others and is responsibility of architect or engineer of record.
3. All glazing shall conform to ASTM E1300.
4. At minimum, glazing shall be double strength annealed insulating glass.
5. Maximum sizes are buck sizes and do not include fin or flange.

PROJECT ENGINEER: --	DATE: 04/10/2015	JELD-WEN		3737 Lakeport Blvd	
DRAWN BY: J. Allen	SCALE: NTS			Klamath Falls, OR. 97601	
CHECKED BY: D. Vezo	TITLE: Custom Clad InSash Geometric Operator Window				
APPROVED BY: J. Kantola	Nail Fin Installation (30" x 84")				
PART/PROJECT No.: D010377					
IDENTIFIER No.	PLANT NAME AND LOCATION: Bend, Oregon	CAD DWG. No.:	REV:	SHEET	