

REVISIONS			
REV	DESCRIPTION	DATE	APPROVED
E	ADDED SILLS	12/17/19	R.L.

NOTES:

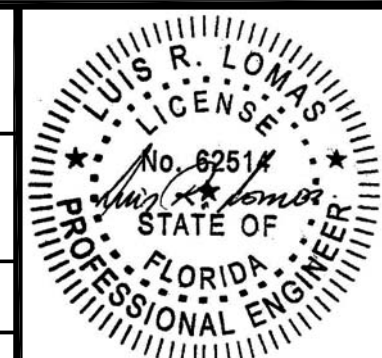
1. THE PRODUCT SHOWN HEREIN IS DESIGNED AND MANUFACTURED TO COMPLY WITH REQUIREMENTS OF THE FLORIDA BUILDING CODE.
2. WOOD FRAMING AND MASONRY OPENING TO BE DESIGNED AND ANCHORED TO PROPERLY TRANSFER ALL LOADS TO STRUCTURE. FRAMING AND MASONRY OPENING IS THE RESPONSIBILITY OF THE ARCHITECT OR ENGINEER OF RECORD.
3. 1X BUCK OVER MASONRY/CONCRETE IS OPTIONAL.
4. WHERE SHIM OR BUCK THICKNESS IS LESS THAN 1-1/2" WINDOW UNITS MUST BE ANCHORED THROUGH THE FRAME IN ACCORDANCE WITH MANUFACTURER'S PUBLISHED INSTALLATION INSTRUCTIONS. ANCHORS SHALL BE SECURELY FASTENED DIRECTLY INTO MASONRY, CONCRETE OR OTHER STRUCTURAL SUBSTRATE MATERIAL.
5. WHERE WOOD BUCK THICKNESS IS 1-1/2" OR GREATER, BUCK SHALL BE SECURELY FASTENED TO MASONRY, CONCRETE OR OTHER STRUCTURAL SUBSTRATE. WINDOW UNITS MAY BE ANCHORED THROUGH FRAME TO SECURED WOOD BUCK IN ACCORDANCE WITH MANUFACTURER'S PUBLISHED INSTALLATION INSTRUCTIONS.
6. WHERE 1X BUCK IS NOT USED DISSIMILAR MATERIALS MUST BE SEPARATED WITH APPROVED COATING OR MEMBRANE. SELECTION OF COATING OR MEMBRANE IS THE RESPONSIBILITY OF THE ARCHITECT OR ENGINEER OF RECORD.
7. BUCKS SHALL EXTEND BEYOND WINDOW INTERIOR FACE SO THAT FULL FRAME SUPPORT IS PROVIDED.
8. SHIM AS REQUIRED AT EACH ANCHOR LOCATION WITH LOAD BEARING SHIM. SHIM WHERE SPACE OF 1/16" OR GREATER OCCURS. MAXIMUM ALLOWABLE SHIM STACK TO BE 1/4".
9. SHIMS SHALL BE LOCATED, APPLIED AND MADE FROM MATERIALS AND THICKNESS CAPABLE OF SUSTAINING APPLICABLE LOADS.
10. WIND LOAD DURATION FACTOR Cd=1.6 WAS USED FOR WOOD ANCHOR CALCULATIONS.
11. FRAME MATERIAL: WOOD WITH G=.46 MINIMUM SPECIFIC GRAVITY OR FRAMESAVER OR FUSION FRAME.
12. UNITS MUST BE GLAZED PER ASTM E1300-04/09, WITH SAFETY GLAZING.
13. APPROVED IMPACT PROTECTIVE SYSTEM IS NOT REQUIRED FOR THIS PRODUCT IN WIND BORNE DEBRIS REGIONS.
14. FOR ANCHORING THROUGH FRAME INTO WOOD FRAMING OR 2X BUCK USE #10 WOOD SCREWS WITH SUFFICIENT LENGTH TO ACHIEVE A 1 3/8" MINIMUM EMBEDMENT INTO SUBSTRATE. LOCATE ANCHORS AS SHOWN IN ELEVATIONS AND INSTALLATION DETAILS.

15. FOR ANCHORING THROUGH FRAME INTO MASONRY/CONCRETE USE 3/16" TAPCONS WITH SUFFICIENT LENGTH TO ACHIEVE A 1 1/4" MINIMUM EMBEDMENT INTO SUBSTRATE WITH 2" MINIMUM EDGE DISTANCE. LOCATE ANCHORS AS SHOWN IN ELEVATIONS AND INSTALLATION DETAILS.
16. FOR ANCHORING THROUGH FRAME INTO METAL STRUCTURE USE #10 SMS OR SELF DRILLING SCREWS WITH SUFFICIENT LENGTH TO ACHIEVE 3 THREADS MINIMUM BEYOND STRUCTURE INTERIOR WALL. LOCATE ANCHORS AS SHOWN IN ELEVATIONS AND INSTALLATION DETAILS.
17. ALL FASTENERS TO BE CORROSION RESISTANT.
18. INSTALLATION ANCHORS SHALL BE INSTALLED IN ACCORDANCE WITH ANCHOR MANUFACTURER'S INSTALLATION INSTRUCTIONS AND ANCHORS SHALL NOT BE USED IN SUBSTRATES WITH STRENGTHS LESS THAN THE MINIMUM STRENGTH SPECIFIED BELOW:
 - A. WOOD - MINIMUM SPECIFIC GRAVITY OF G=0.42
 - B. CONCRETE - MINIMUM COMPRESSIVE STRENGTH OF 3,192 PSI.
 - C. MASONRY - STRENGTH CONFORMANCE TO ASTM C-90, GRADE N, TYPE 1 (OR GREATER).
 - D. METAL STRUCTURE: STEEL 18GA, 33KSI OR ALUMINUM 6063-T5 .048" THICK MINIMUM

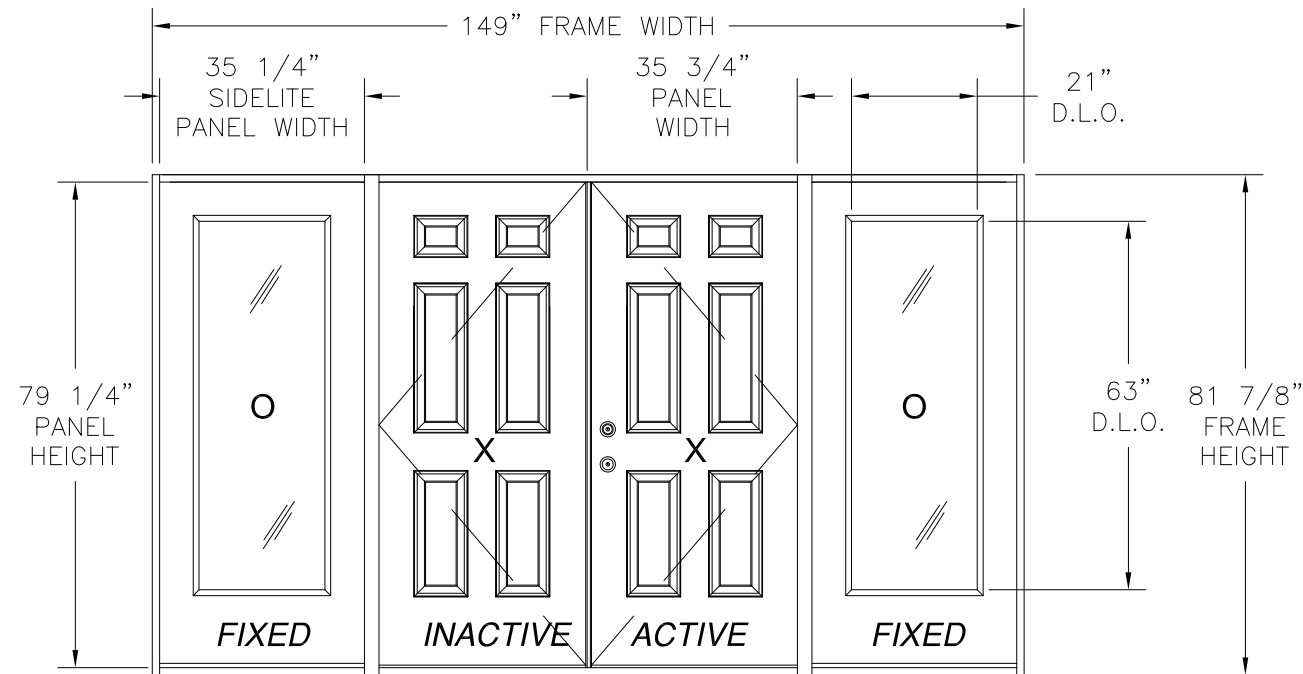
SIGNED: 01/08/2020

TABLE OF CONTENTS	
SHEET NO.	DESCRIPTION
1	NOTES
2	ELEVATIONS
3	ANCHORING LAYOUTS
4 - 29	INSTALLATION DETAILS
30 - 31	COMPONENTS

PROVIA, LLC. 2150 STATE ROUTE 39 WEST SUGARCREEK, OH 44681		
6'8 HERITAGE FIBERGLASS OPAQUE IS/OS DOOR LARGE MISSILE IMPACT WITH OR WITHOUT SIDELITES NOTES		
DRAWN: V.L.	DWG NO. 08-01362	REV E
SCALE NTS	DATE 10/03/11	SHEET 1 OF 31
L. ROBERTO LOMAS P.E. 1432 WOODFORD RD LEWISVILLE, NC 27023 434-688-0609 rllomas@rlomaspe.com		

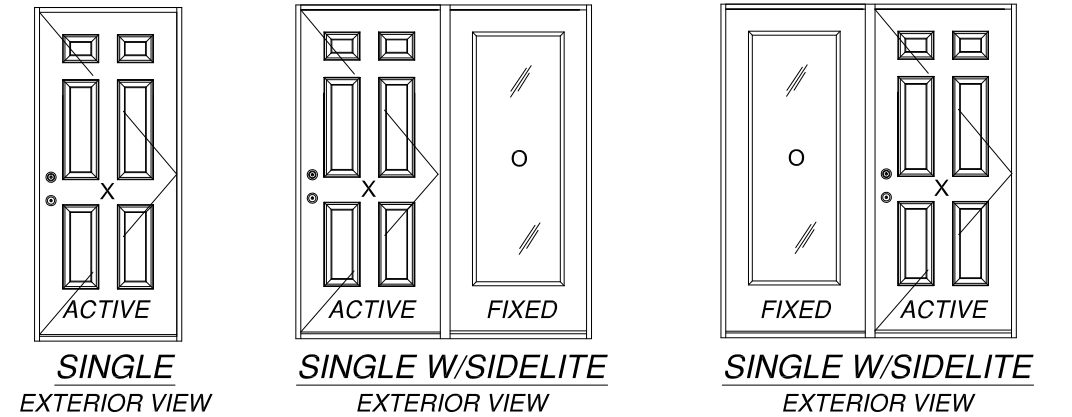


Luis R. Lomas P.E.
FL No.: 62514



**6'8 HERITAGE FIBERGLASS OPAQUE INSWING/OUTSWING DOUBLE DOOR
W/SIDELITES
EXTERIOR VIEW**

REVISIONS			
REV	DESCRIPTION	DATE	APPROVED
E	ADDED SILLS	12/17/19	R.L.



**SINGLE
EXTERIOR VIEW**

**SINGLE W/SIDELITE
EXTERIOR VIEW**

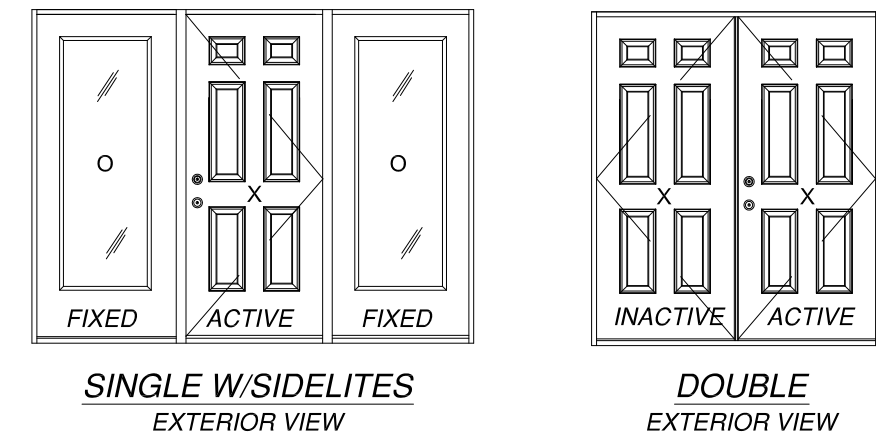
**SINGLE W/SIDELITE
EXTERIOR VIEW**

Approved Configurations and Ratings

Configuration	Max Size	Rating where water infiltration is not required (psf)		Rating where water infiltration is required (psf)				Impact Rating		
		Schlage or Emtek hardware	Trilennium hardware	Standard Threshold		High Dam Threshold				
				Schlage or Emtek hardware	Trilennium hardware	Schlage or Emtek hardware	Trilennium hardware			
Single	X	IS	3'0" x 6'8"	±64.2	±60	+19/-64.2	+19/-60	-	-	Large Missile Impact Wind Zone 4 Level D
				OS	±64.2	±60	±64.2	±60	-	
Double	XX	IS	6'0" x 6'8"	±50.5	±50.5	+19/-50.5	+19/-50.5	-	-	
				OS	+55/-50.5	+55/-50.5	+40/-50.5	+40/-50.5	+55/-50.5	
Single w/ Sidelite	OX, XO	IS	6'0" x 6'8"	±50.5	±50.5	+19/-50.5	+19/-50.5	-	-	
				OS	+55/-50.5	+55/-50.5	+40/-50.5	+40/-50.5	+55/-50.5	
Single w/ Sidelites	OXO	IS	9'0" x 6'8"	±50.5	±50.5	+19/-50.5	+19/-50.5	-	-	
				OS	+55/-50.5	+55/-50.5	+40/-50.5	+40/-50.5	+55/-50.5	
Double w/ sidelites	OXXO	IS	12'6" x 6'8"	±50.5	±50.5	+19/-50.5	+19/-50.5	-	-	
				OS	+55/-50.5	+55/-50.5	+40/-50.5	+40/-50.5	+55/-50.5	

Door Panels are Impact Rated, Sidelites need protection, see note 13

35 3/4" X 79 1/4" PANELS SHOWN. OTHER PANEL SIZES ARE APPROVED AS LONG AS INDIVIDUAL PANEL AREA DOES NOT EXCEED 19.67 FT²



**SINGLE W/SIDELITES
EXTERIOR VIEW**

**DOUBLE
EXTERIOR VIEW**

NOTE:
ALL APPROVED CONFIGURATIONS CAN BE INSWING OR OUTSWING MODELS.
ALL APPROVED CONFIGURATIONS ARE SHOWN AS RIGHT HAND ACTIVE, LEFT HAND ACTIVE IS ALSO APPROVED.

SIGNED: 01/08/2020

HARDWARE SCHEDULE
A. F-SERIES ASSEMBLY DOOR KNOB BY SCHLAGE.
B. B-SERIES DEADBOLT ASSEMBLY BY SCHLAGE
C. F-SERIES DEADBOLT ASSEMBLY BY SCHLAGE
D. EMTEK RESIDENTIAL GRADE DOOR HANDLE ASSEMBLY (ALTERNATE)
E. TRILLENNIUM MULTI-POINT LOCK HANDLE ASSEMBLY (ALTERNATE)
F. INSWING HURRICANE ASTRAGAL BY ENDURA
G. OUTSWING HURRICANE ASTRAGAL BY ENDURA
H. (4) 4" X 4" BALL BEARING HINGES BY PENROD
I. (3) 4" X 4" SPRING BOMMER HINGES BY PENROD

PROVIA, LLC.
2150 STATE ROUTE 39 WEST
SUGARCREEK, OH 44681

6'8 HERITAGE FIBERGLASS OPAQUE IS/OS DOOR
LARGE MISSILE IMPACT WITH OR WITHOUT SIDELITES
OXXO ELEVATION

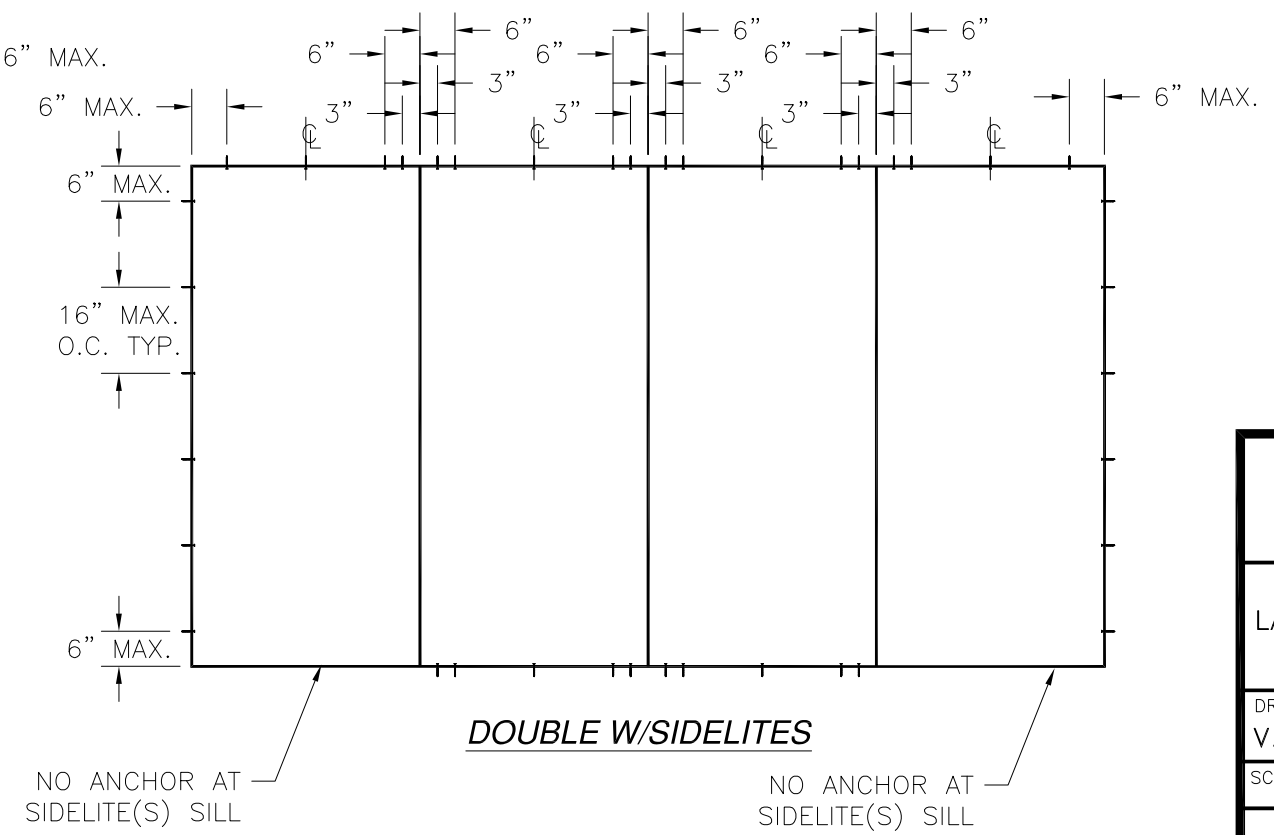
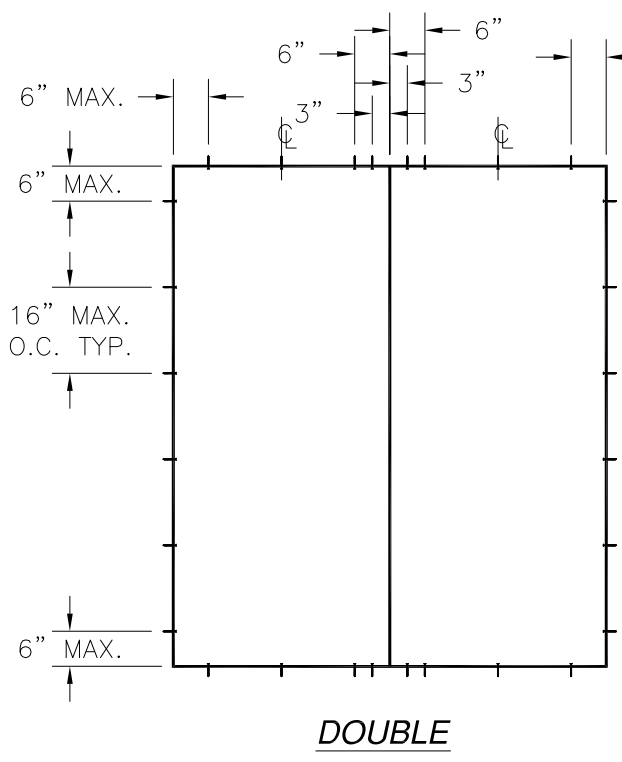
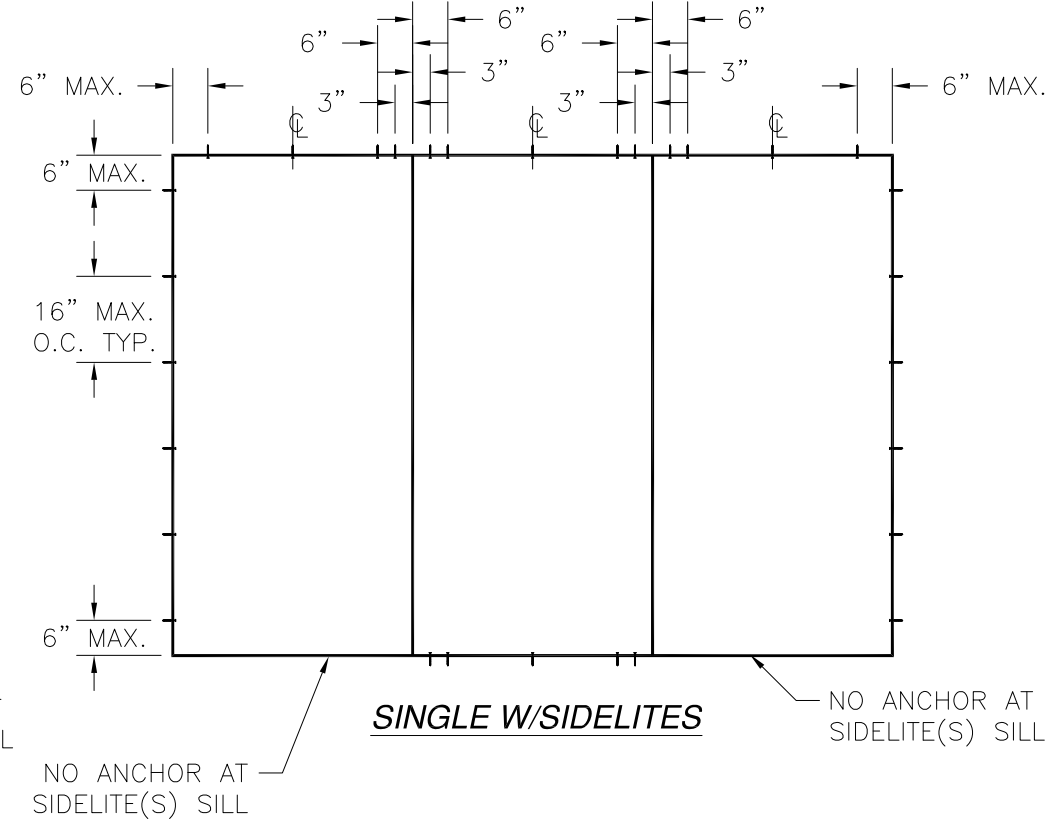
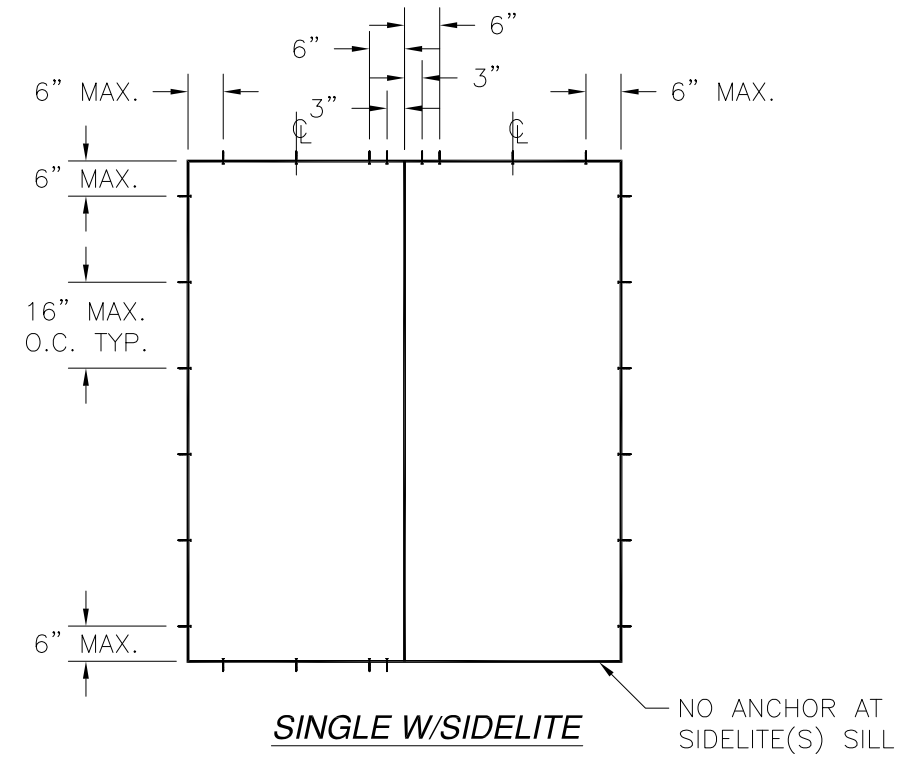
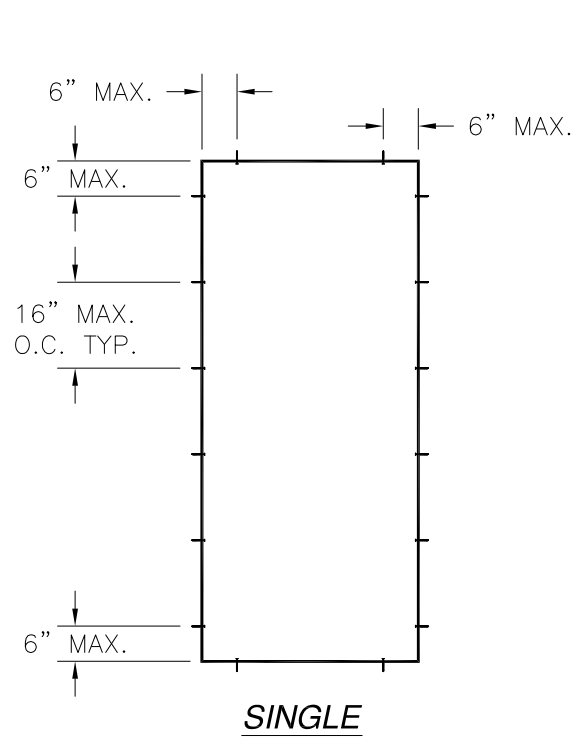
DRAWN: V.L. DWG NO. 08-01362 REV E

SCALE NTS DATE 10/03/11 SHEET 2 OF 31

L. ROBERTO LOMAS P.E.
1432 WOODFORD RD LEWISVILLE, NC 27023
434-688-0609 rllomas@rlomaspe.com

Luis R. Lomas P.E.
FL No.: 62514

REVISIONS			
REV	DESCRIPTION	DATE	APPROVED
E	ADDED SILLS	12/17/19	R.L.



PROVIA, LLC.
2150 STATE ROUTE 39 WEST
SUGARCREEK, OH 44681

6'8 HERITAGE FIBERGLASS OPAQUE IS/OS DOOR
LARGE MISSILE IMPACT WITH OR WITHOUT SIDELITES
ANCHORING LAYOUT

DRAWN: V.L.	DWG NO. 08-01362	REV E
SCALE NTS	DATE 10/03/11	SHEET 3 OF 31

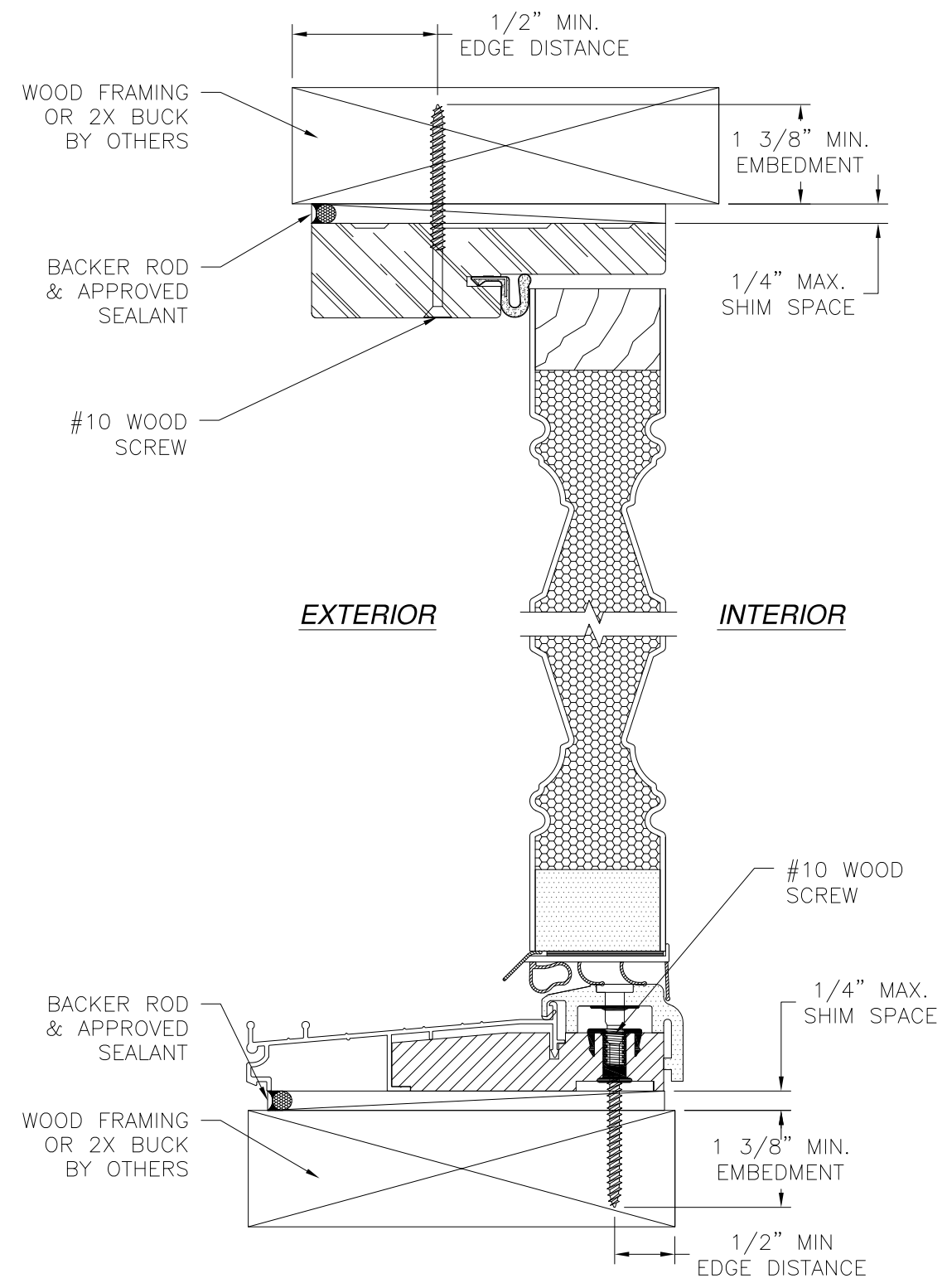
L. ROBERTO LOMAS P.E.
1432 WOODFORD RD LEWISVILLE, NC 27023
434-688-0609 rllomas@rlomaspe.com

SIGNED: 01/08/2020



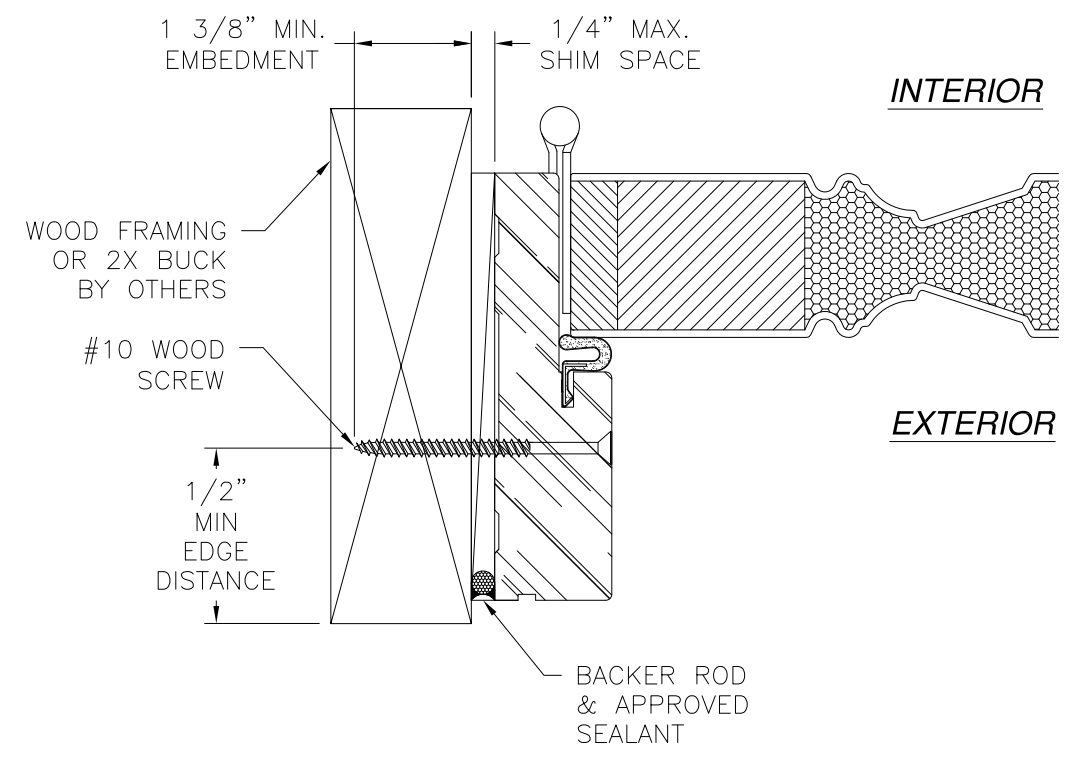
Luis R. Lomas P.E.
FL No.: 62514

REVISIONS			
REV	DESCRIPTION	DATE	APPROVED
E	ADDED SILLS	12/17/19	R.L.



VERTICAL CROSS SECTION
WOOD FRAMING OR 2X BUCK INSTALLATION

NOTES:
 1. INTERIOR AND EXTERIOR FINISHES, BY OTHERS, NOT SHOWN FOR CLARITY.
 2. PERIMETER AND JOINT SEALANT BY OTHERS TO BE DESIGNED IN ACCORDANCE WITH ASTM E2112



JAMB INSTALLATION DETAIL
WOOD FRAMING OR 2X BUCK INSTALLATION

SIGNED: 01/08/2020

PROVIA, LLC.
 2150 STATE ROUTE 39 WEST
 SUGARCREEK, OH 44681

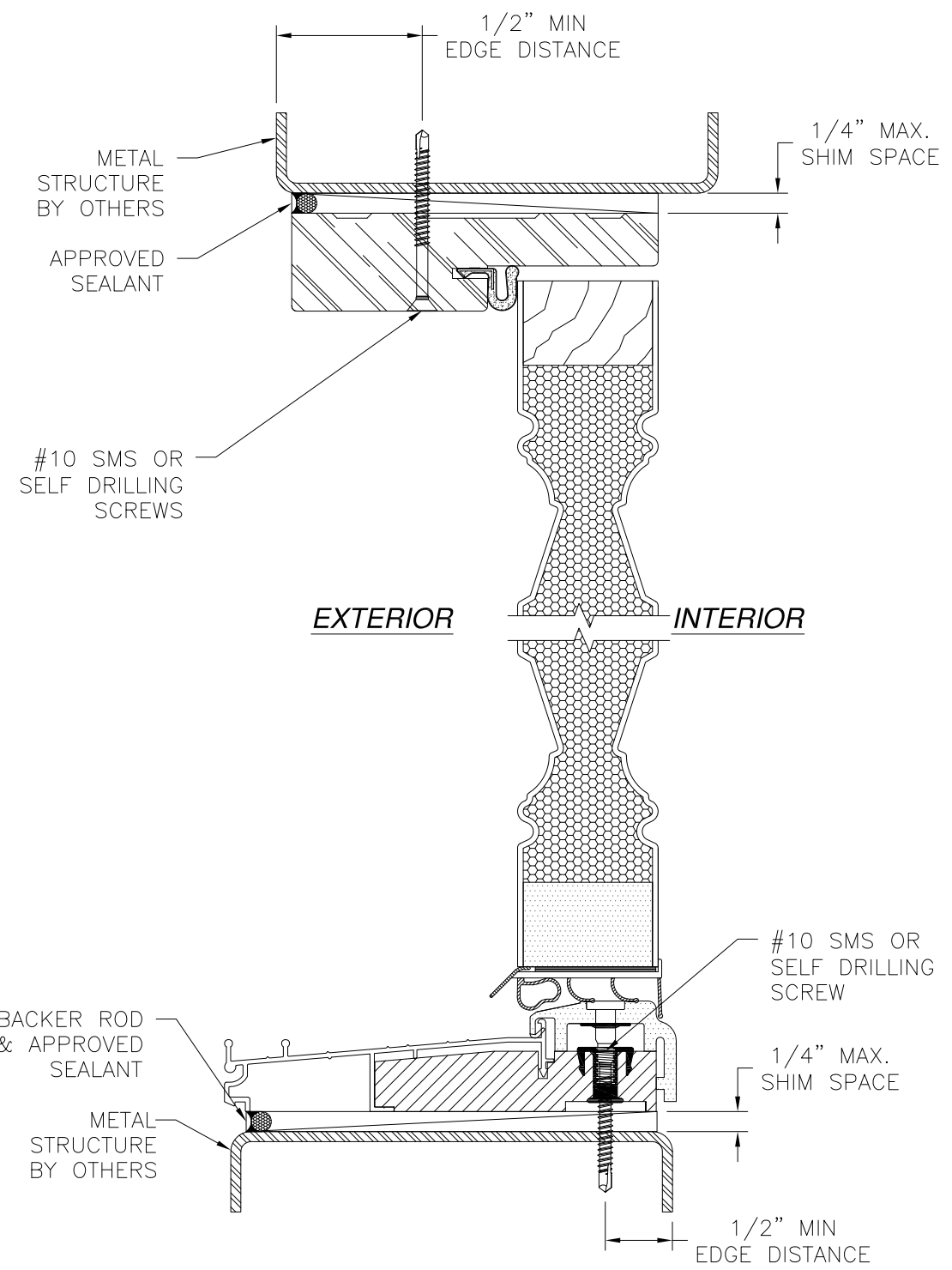
6'8 HERITAGE FIBERGLASS OPAQUE IS/OS DOOR
 LARGE MISSILE IMPACT WITH OR WITHOUT SIDELITES
 IS DOOR INSTALLATION DETAILS

DRAWN: V.L.	DWG NO. 08-01362	REV E
SCALE NTS	DATE 10/03/11	SHEET 4 OF 31

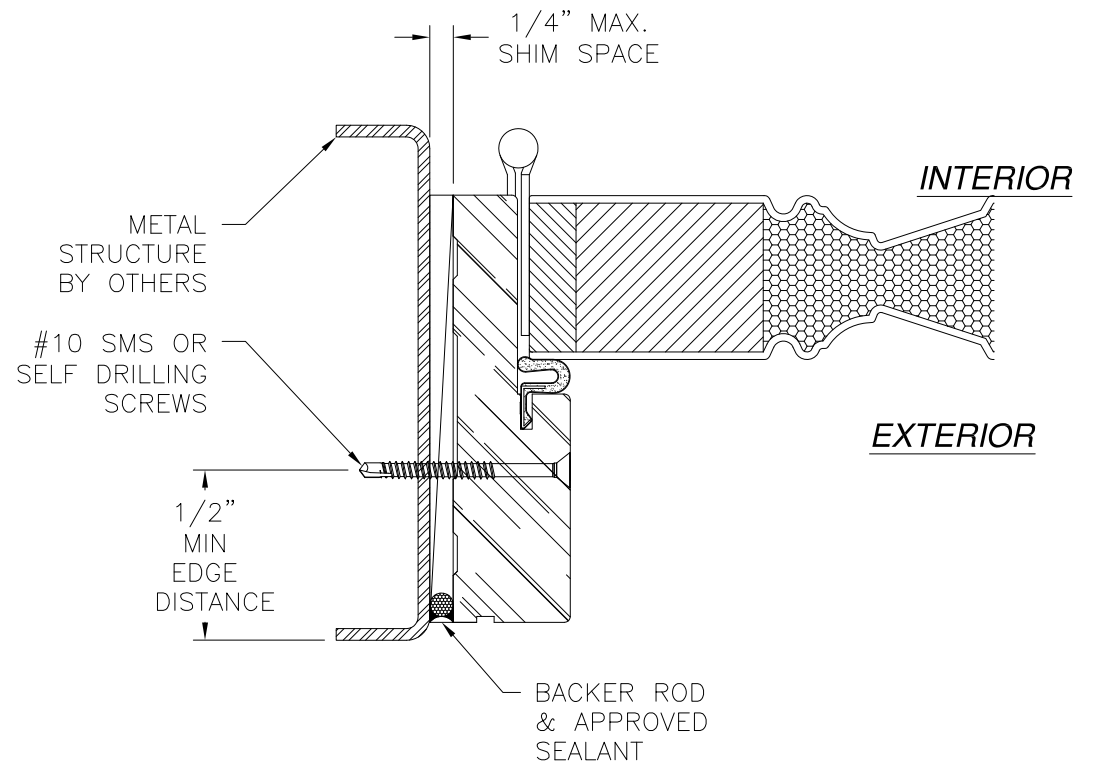
L. ROBERTO LOMAS P.E.
 1432 WOODFORD RD LEWISVILLE, NC 27023
 434-688-0609 rllomas@rlomaspe.com

Luis R. Lomas P.E.
 FL No.: 62514

REVISIONS			
REV	DESCRIPTION	DATE	APPROVED
E	ADDED SILLS	12/17/19	R.L.



VERTICAL CROSS SECTION
METAL STRUCTURE INSTALLATION



JAMB INSTALLATION DETAIL
METAL STRUCTURE INSTALLATION

- NOTES:**
1. INTERIOR AND EXTERIOR FINISHES, BY OTHERS, NOT SHOWN FOR CLARITY.
 2. PERIMETER AND JOINT SEALANT BY OTHERS TO BE DESIGNED IN ACCORDANCE WITH ASTM E2112

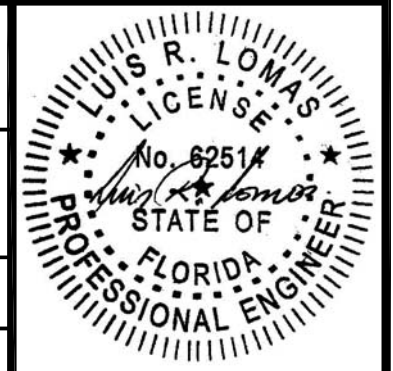
PROVIA, LLC.
2150 STATE ROUTE 39 WEST
SUGARCREEK, OH 44681

6'8 HERITAGE FIBERGLASS OPAQUE IS/OS DOOR
LARGE MISSILE IMPACT WITH OR WITHOUT SIDELITES
IS DOOR INSTALLATION DETAILS

DRAWN: V.L.	DWG NO. 08-01362	REV E
SCALE NTS	DATE 10/03/11	SHEET 5 OF 31

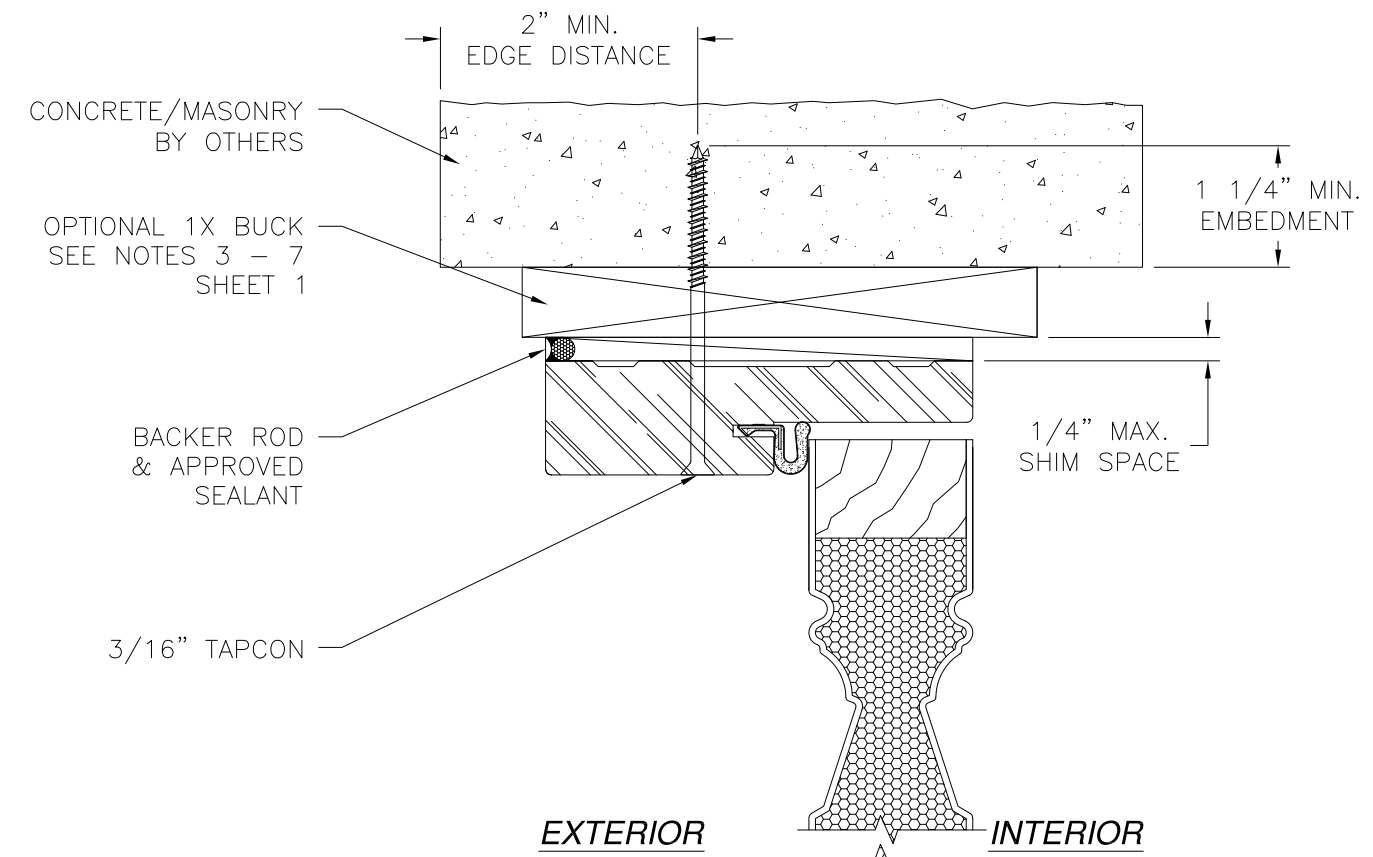
L. ROBERTO LOMAS P.E.
1432 WOODFORD RD LEWISVILLE, NC 27023
434-688-0609 rllomas@lrlomaspe.com

SIGNED: 01/08/2020

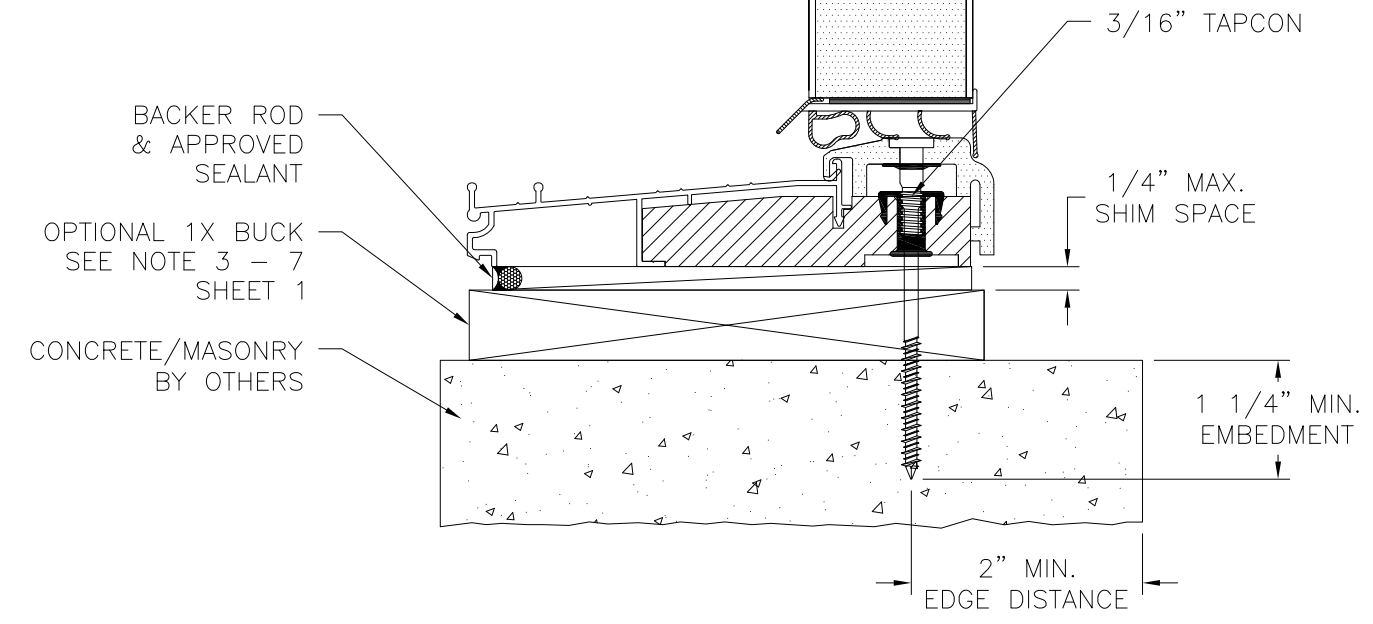


Luis R. Lomas P.E.
FL No.: 62514

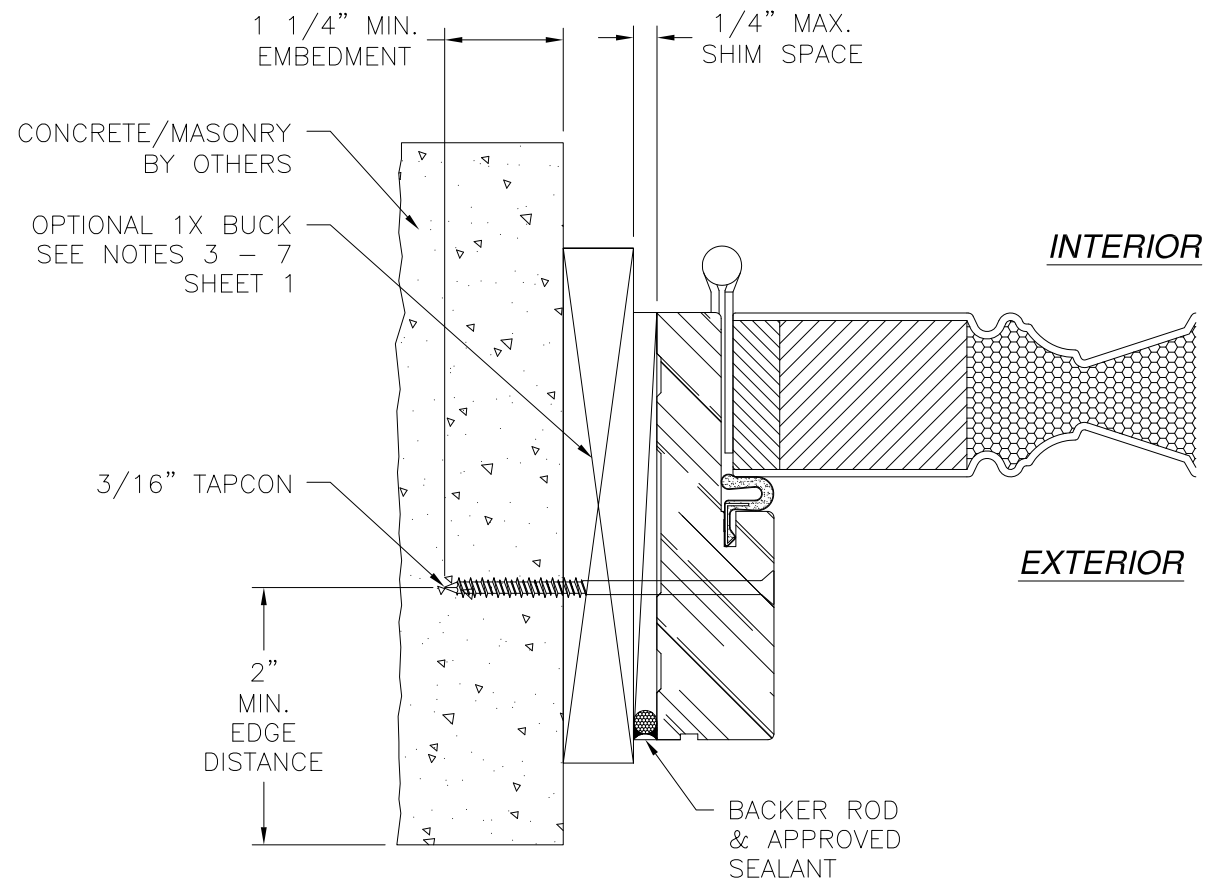
REVISIONS			
REV	DESCRIPTION	DATE	APPROVED
E	ADDED SILLS	12/17/19	R.L.



EXTERIOR **INTERIOR**



**VERTICAL CROSS SECTION
CONCRETE/MASONRY INSTALLATION**



**JAMB INSTALLATION DETAIL
CONCRETE/MASONRY INSTALLATION**

- NOTES:**
 1. INTERIOR AND EXTERIOR FINISHES, BY OTHERS, NOT SHOWN FOR CLARITY.
 2. PERIMETER AND JOINT SEALANT BY OTHERS TO BE DESIGNED IN ACCORDANCE WITH ASTM E2112

SIGNED: 01/08/2020

PROVIA, LLC.
 2150 STATE ROUTE 39 WEST
 SUGARCREEK, OH 44681

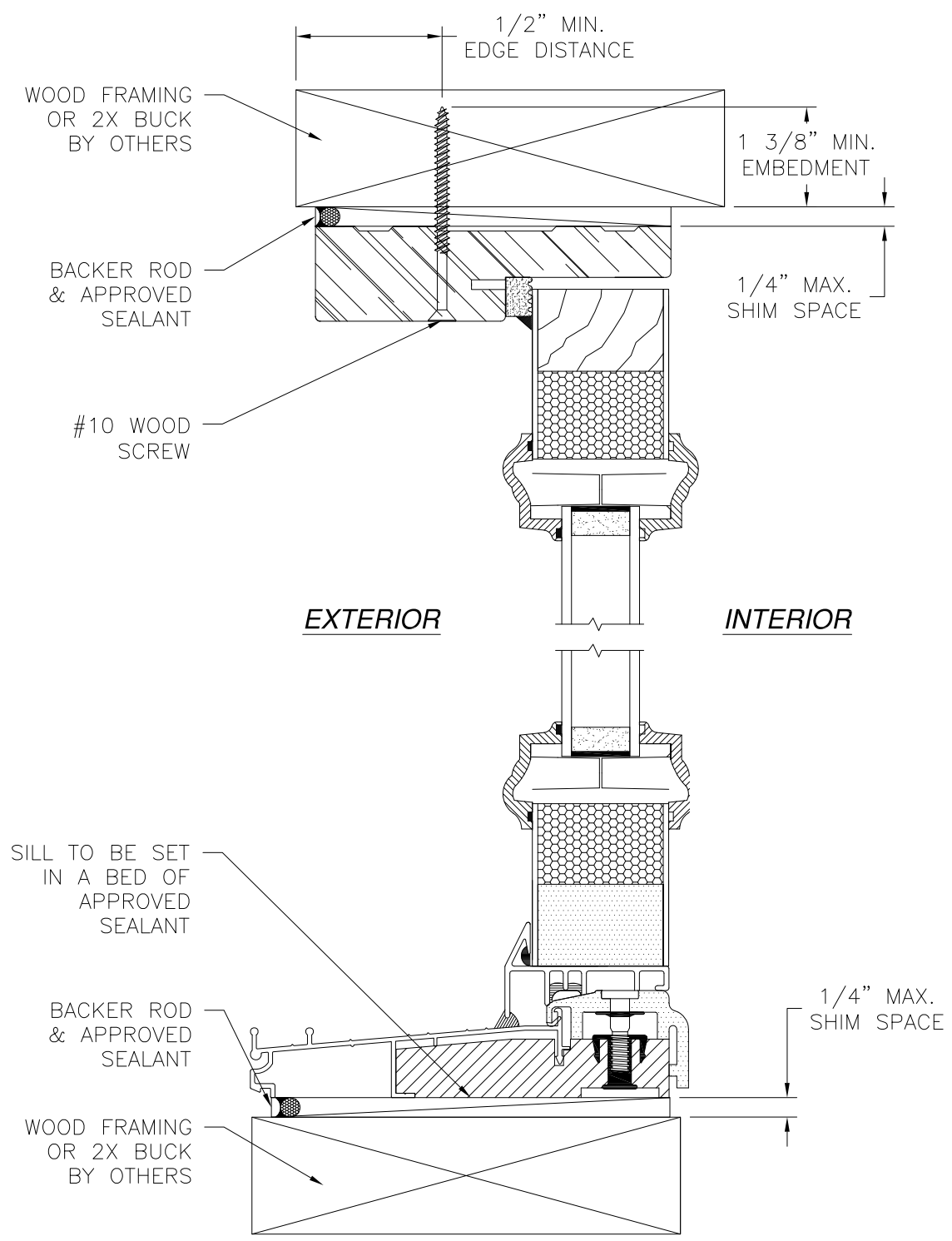
6'8 HERITAGE FIBERGLASS OPAQUE IS/OS DOOR
 LARGE MISSILE IMPACT WITH OR WITHOUT SIDELITES
 IS DOOR INSTALLATION DETAILS

DRAWN: V.L.	DWG NO. 08-01362	REV E
SCALE NTS	DATE 10/03/11	SHEET 6 OF 31

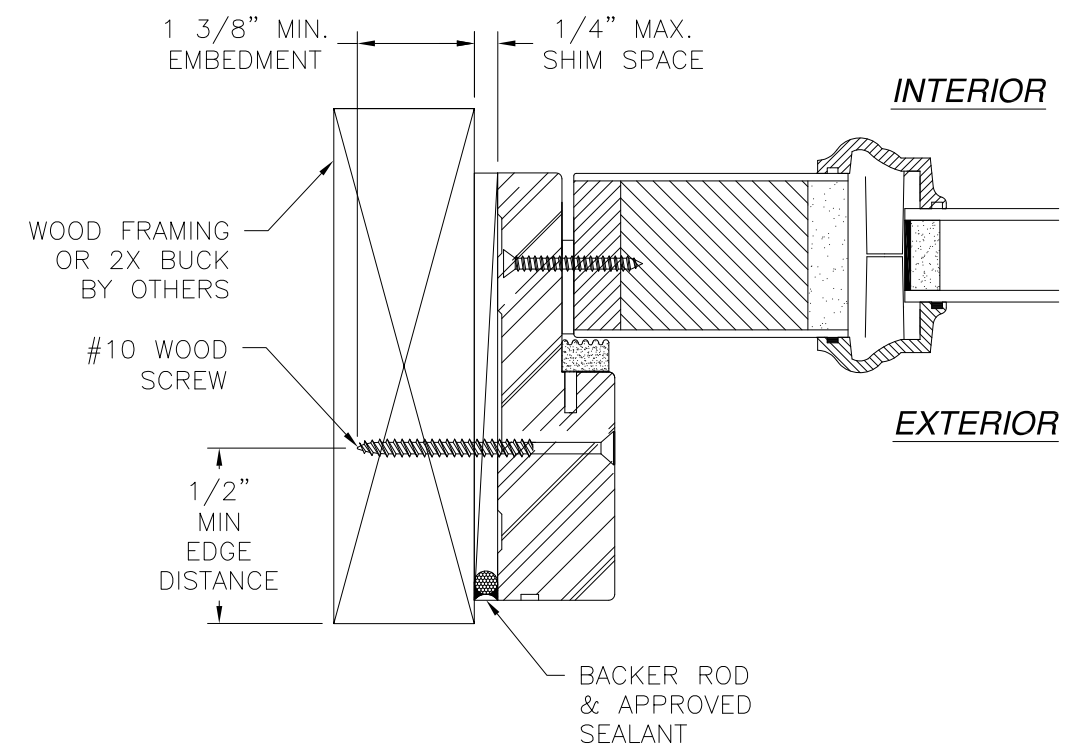
L. ROBERTO LOMAS P.E.
 1432 WOODFORD RD LEWISVILLE, NC 27023
 434-688-0609 rllomas@rlomaspe.com

Luis R. Lomas P.E.
 FL No.: 62514

REVISIONS			
REV	DESCRIPTION	DATE	APPROVED
E	ADDED SILLS	12/17/19	R.L.



VERTICAL CROSS SECTION
WOOD FRAMING OR 2X BUCK INSTALLATION



JAMB INSTALLATION DETAIL
WOOD FRAMING OR 2X BUCK INSTALLATION

NOTES:
 1. INTERIOR AND EXTERIOR FINISHES, BY OTHERS, NOT SHOWN FOR CLARITY.
 2. PERIMETER AND JOINT SEALANT BY OTHERS TO BE DESIGNED IN ACCORDANCE WITH ASTM E2112

SIGNED: 01/08/2020

PROVIA, LLC.
 2150 STATE ROUTE 39 WEST
 SUGARCREEK, OH 44681

6'8 HERITAGE FIBERGLASS OPAQUE IS/OS DOOR
 LARGE MISSILE IMPACT WITH OR WITHOUT SIDELITES
 IS SIDELITE INSTALLATION DETAILS

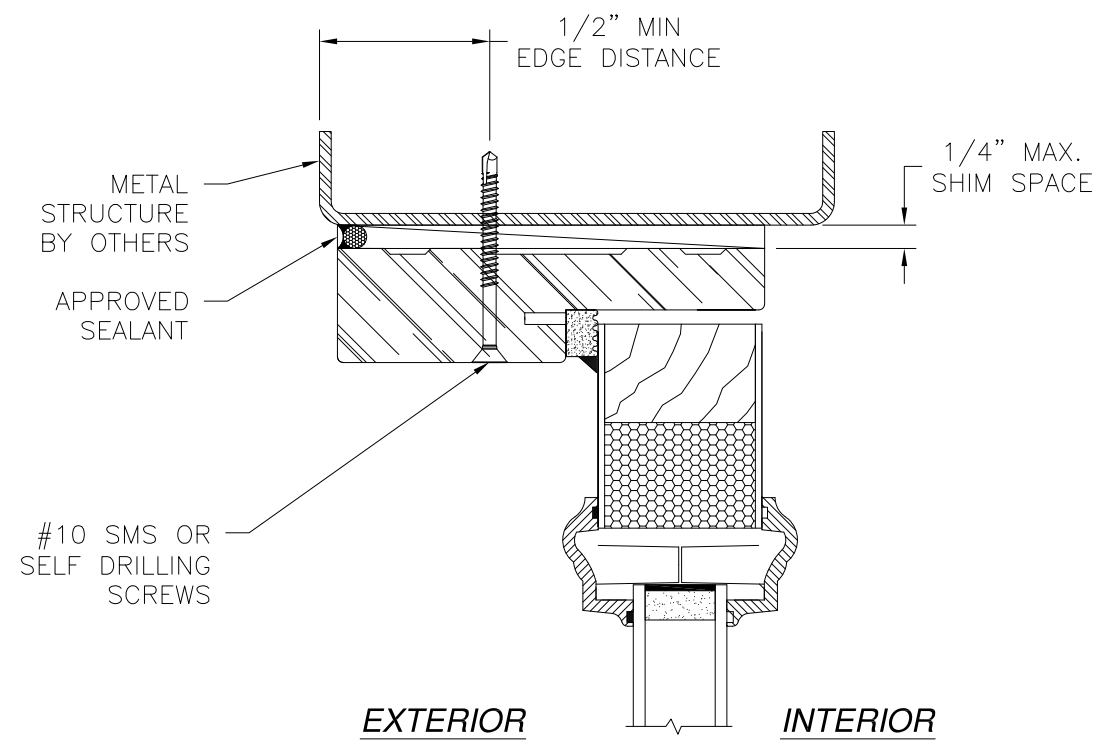
DRAWN: V.L.	DWG NO. 08-01362	REV E
SCALE NTS	DATE 10/03/11	SHEET 7 OF 31

L. ROBERTO LOMAS P.E.
 1432 WOODFORD RD LEWISVILLE, NC 27023
 434-688-0609 rllomas@rlomaspe.com

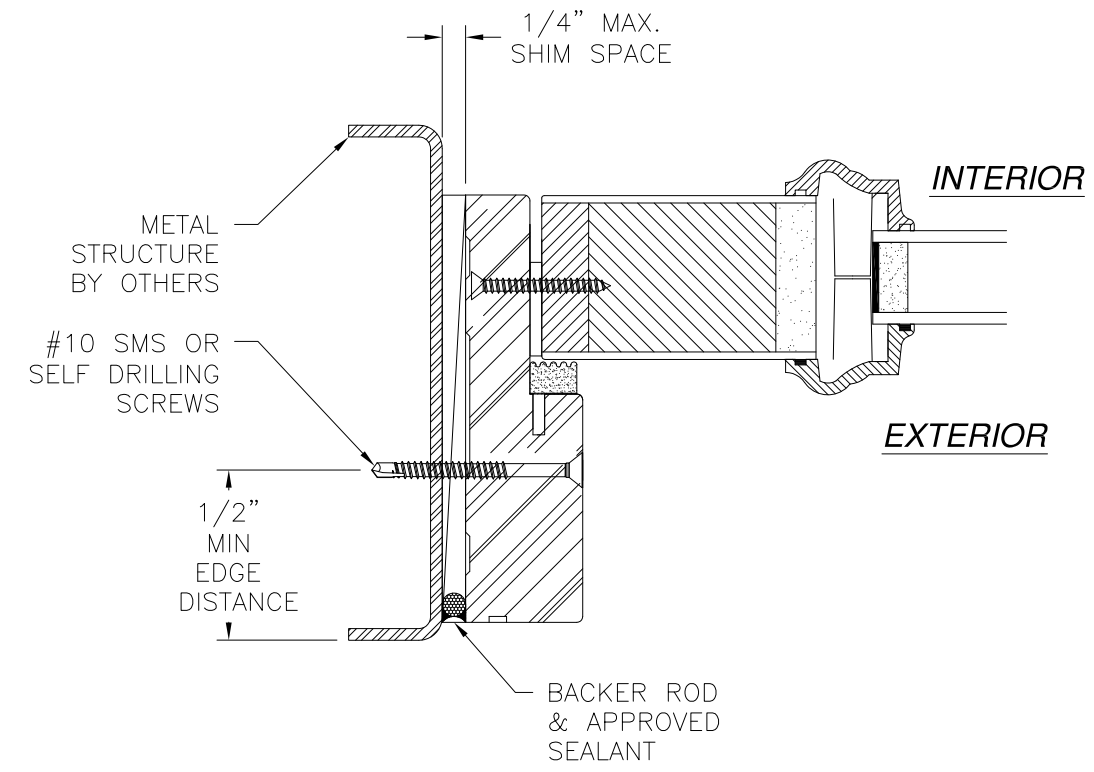


Luis R. Lomas P.E.
 FL No.: 62514

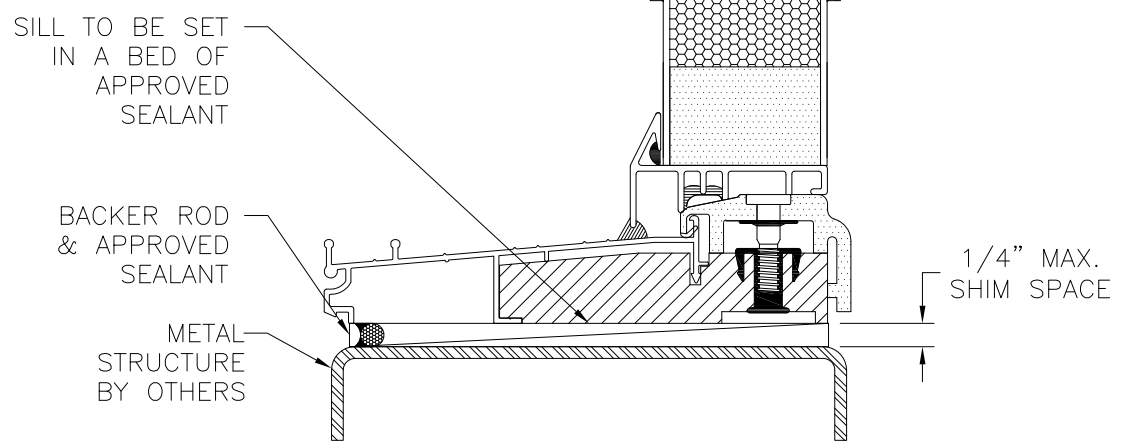
REVISIONS			
REV	DESCRIPTION	DATE	APPROVED
E	ADDED SILLS	12/17/19	R.L.



VERTICAL CROSS SECTION
METAL STRUCTURE INSTALLATION



JAMB INSTALLATION DETAIL
METAL STRUCTURE INSTALLATION



NOTES:
 1. INTERIOR AND EXTERIOR FINISHES, BY OTHERS, NOT SHOWN FOR CLARITY.
 2. PERIMETER AND JOINT SEALANT BY OTHERS TO BE DESIGNED IN ACCORDANCE WITH ASTM E2112

SIGNED: 01/08/2020

PROVIA, LLC.
 2150 STATE ROUTE 39 WEST
 SUGARCREEK, OH 44681

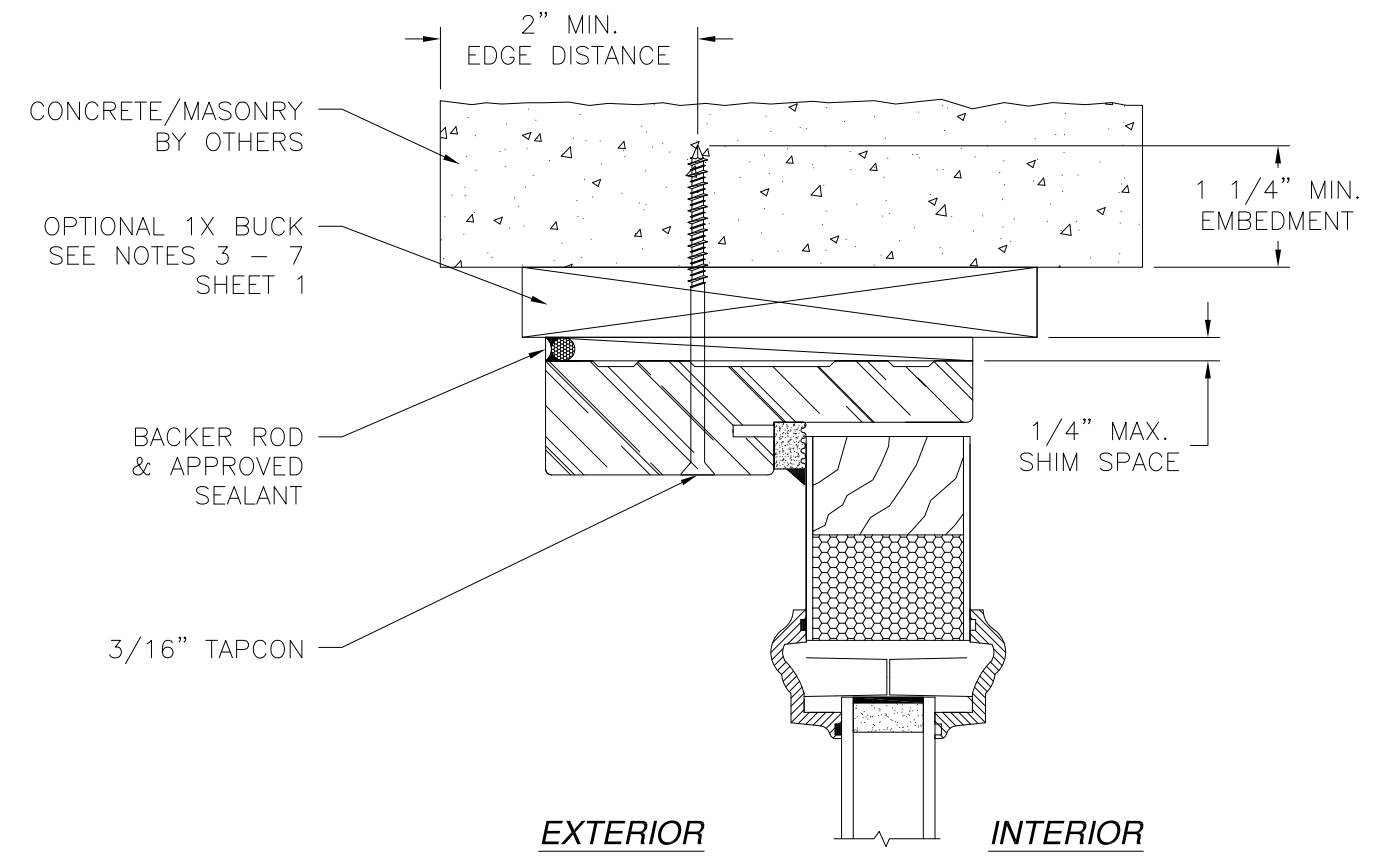
6'8 HERITAGE FIBERGLASS OPAQUE IS/OS DOOR
 LARGE MISSILE IMPACT WITH OR WITHOUT SIDELITES
 IS SIDELITE INSTALLATION DETAILS

DRAWN: V.L.	DWG NO. 08-01362	REV E
SCALE NTS	DATE 10/03/11	SHEET 8 OF 31

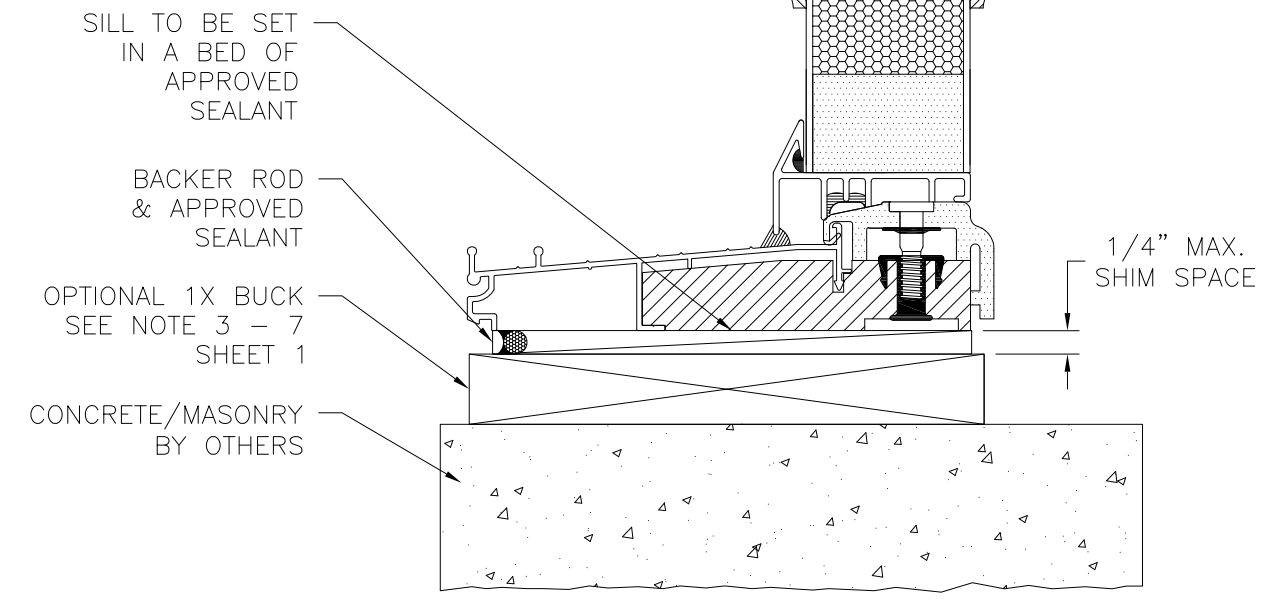
L. ROBERTO LOMAS P.E.
 1432 WOODFORD RD LEWISVILLE, NC 27023
 434-688-0609 rllomas@rlomaspe.com

Luis R. Lomas P.E.
 FL No.: 62514

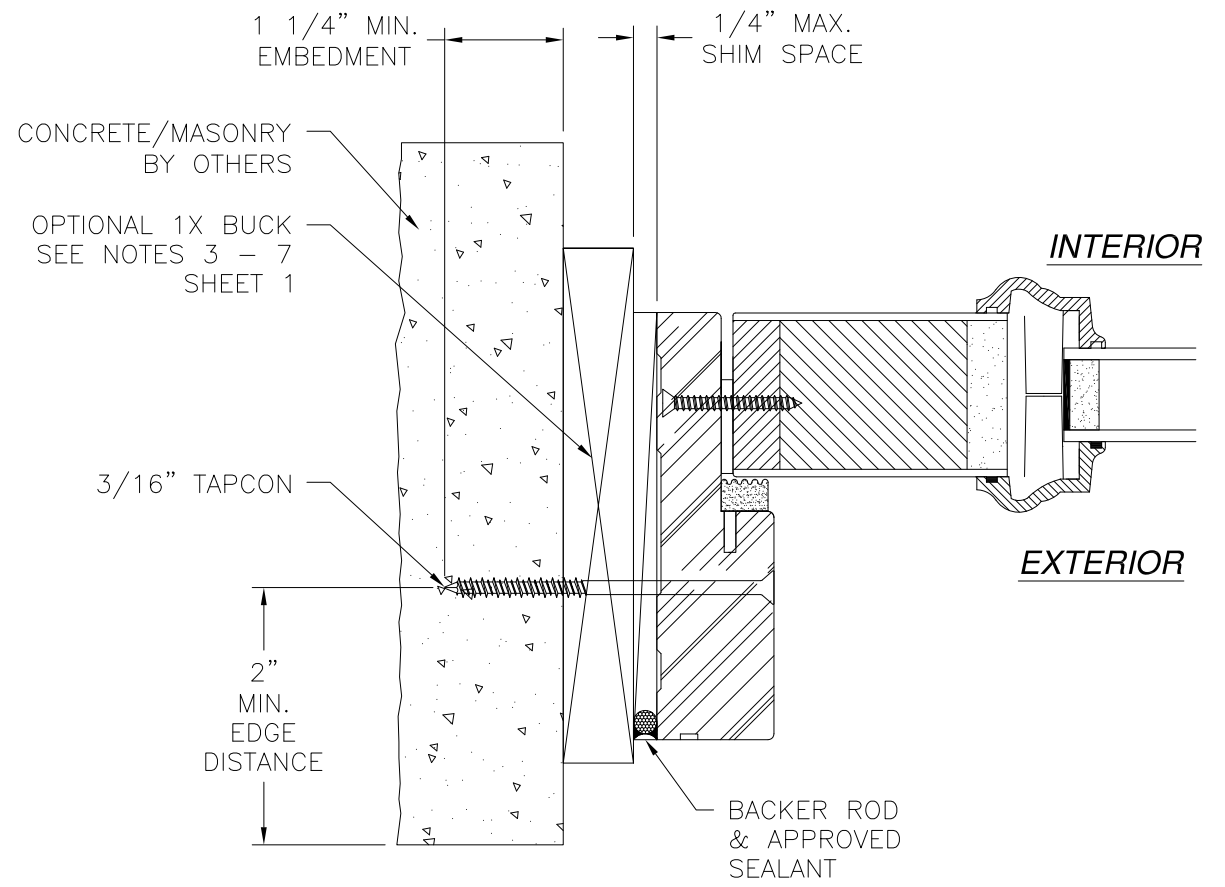
REVISIONS			
REV	DESCRIPTION	DATE	APPROVED
E	ADDED SILLS	12/17/19	R.L.



EXTERIOR **INTERIOR**



VERTICAL CROSS SECTION
CONCRETE/MASONRY INSTALLATION



JAMB INSTALLATION DETAIL
CONCRETE/MASONRY INSTALLATION

- NOTES:**
1. INTERIOR AND EXTERIOR FINISHES, BY OTHERS, NOT SHOWN FOR CLARITY.
 2. PERIMETER AND JOINT SEALANT BY OTHERS TO BE DESIGNED IN ACCORDANCE WITH ASTM E2112

SIGNED: 01/08/2020

PROVIA, LLC.
2150 STATE ROUTE 39 WEST
SUGARCREEK, OH 44681

6'8 HERITAGE FIBERGLASS OPAQUE IS/OS DOOR
LARGE MISSILE IMPACT WITH OR WITHOUT SIDELITES
IS SIDELITE INSTALLATION DETAILS

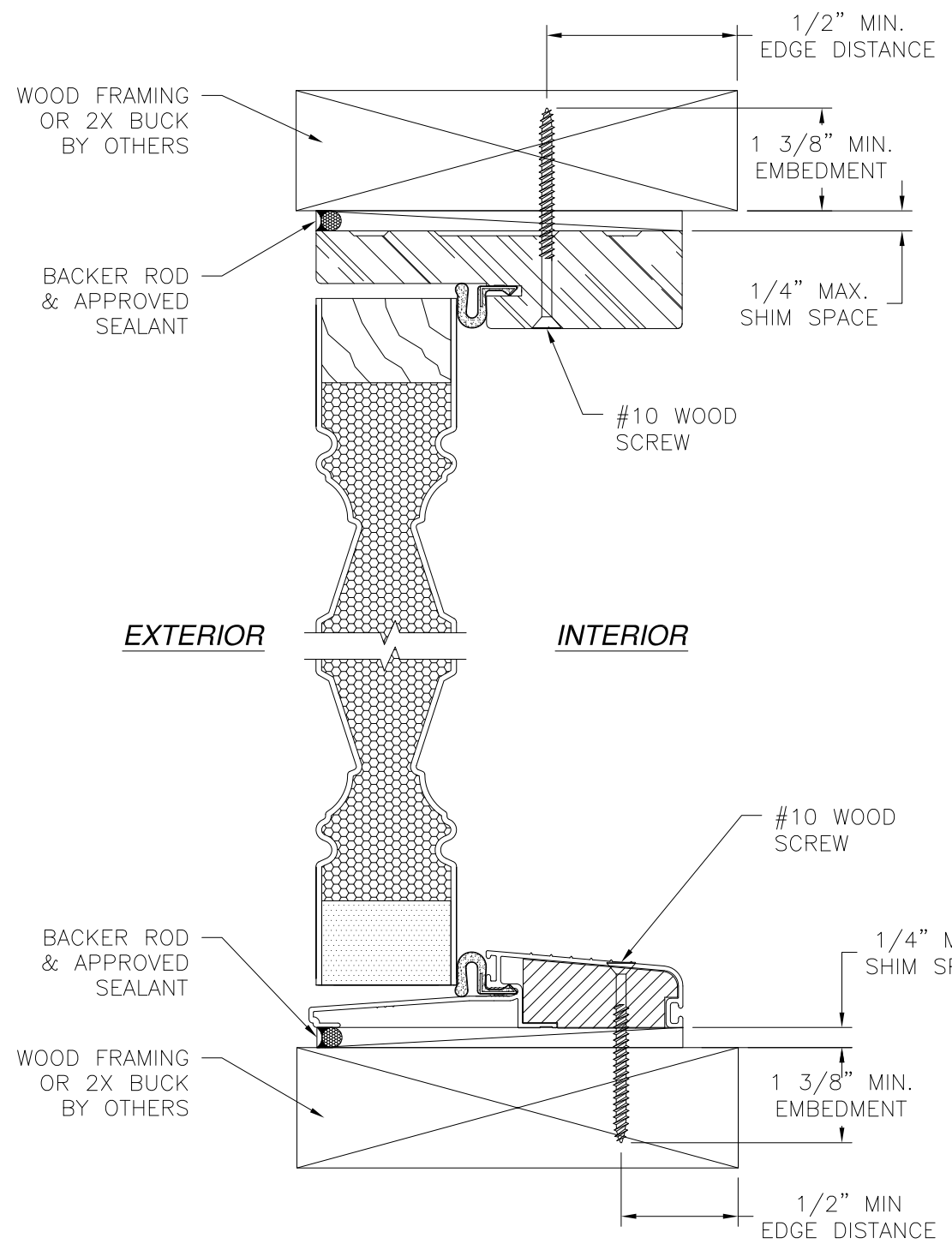
DRAWN: V.L.	DWG NO. 08-01362	REV E
SCALE NTS	DATE 10/03/11	SHEET 9 OF 31

L. ROBERTO LOMAS P.E.
1432 WOODFORD RD LEWISVILLE, NC 27023
434-688-0609 rllomas@rlomaspe.com

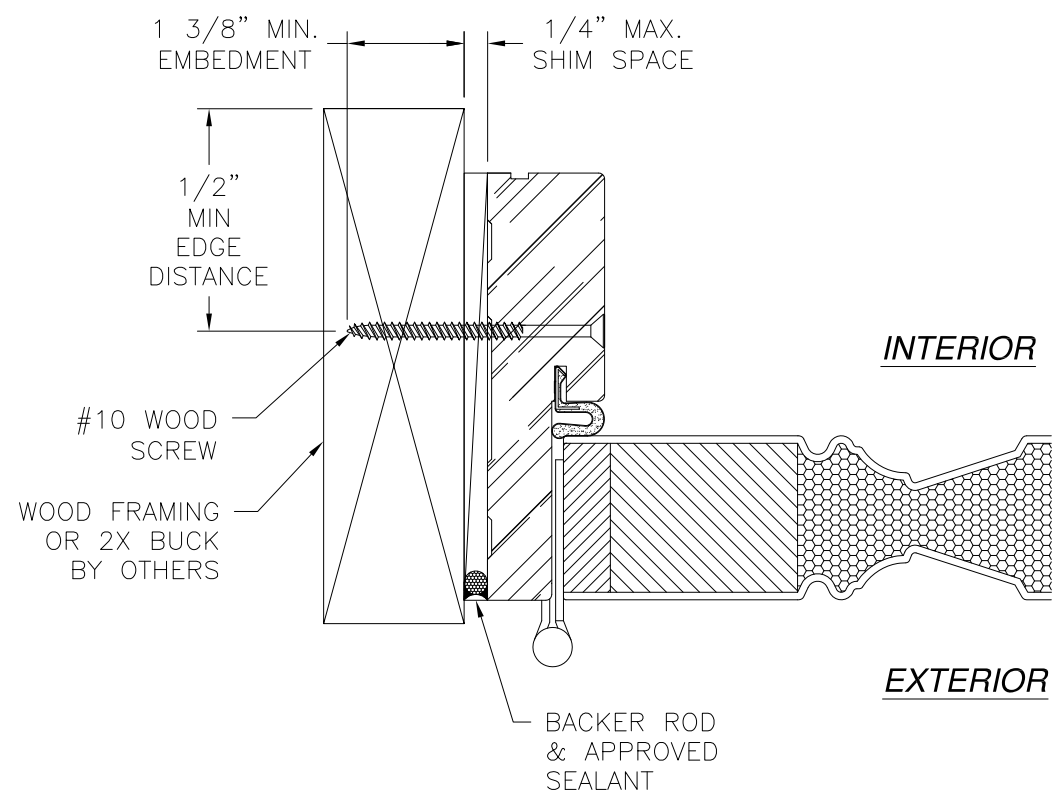


Luis R. Lomas P.E.
FL No.: 62514

REVISIONS			
REV	DESCRIPTION	DATE	APPROVED
E	ADDED SILLS	12/17/19	R.L.



VERTICAL CROSS SECTION
WOOD FRAMING OR 2X BUCK INSTALLATION



JAMB INSTALLATION DETAIL
WOOD FRAMING OR 2X BUCK INSTALLATION

NOTES:
 1. INTERIOR AND EXTERIOR FINISHES, BY OTHERS, NOT SHOWN FOR CLARITY.
 2. PERIMETER AND JOINT SEALANT BY OTHERS TO BE DESIGNED IN ACCORDANCE WITH ASTM E2112

SIGNED: 01/08/2020

PROVIA, LLC.
 2150 STATE ROUTE 39 WEST
 SUGARCREEK, OH 44681

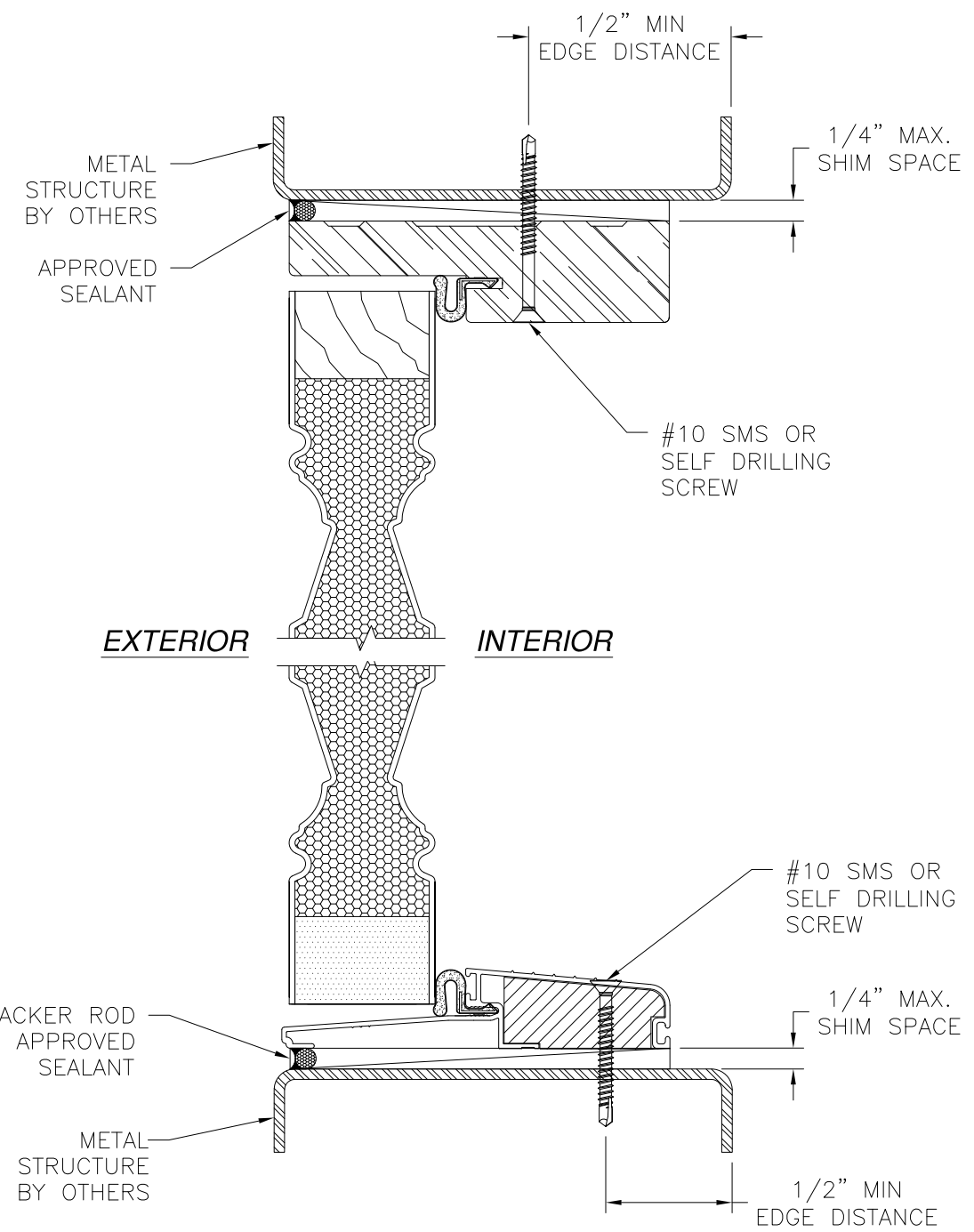
6'8 HERITAGE FIBERGLASS OPAQUE IS/OS DOOR
 LARGE MISSILE IMPACT WITH OR WITHOUT SIDELITES
 OS DOOR INSTALLATION DETAILS

DRAWN: V.L.	DWG NO. 08-01362	REV E
SCALE NTS	DATE 10/03/11	SHEET 10 OF 31

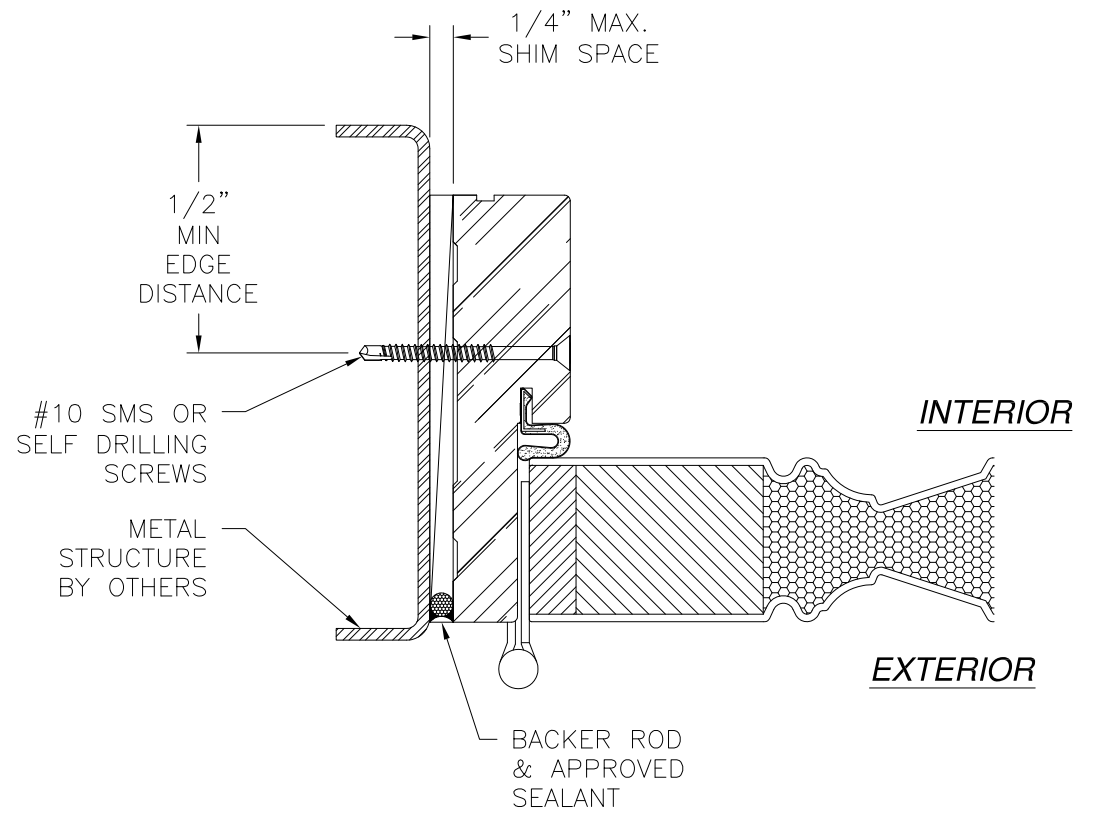
L. ROBERTO LOMAS P.E.
 1432 WOODFORD RD LEWISVILLE, NC 27023
 434-688-0609 rllomas@lrlomaspe.com

Luis R. Lomas P.E.
 FL No.: 62514

REVISIONS			
REV	DESCRIPTION	DATE	APPROVED
E	ADDED SILLS	12/17/19	R.L.



VERTICAL CROSS SECTION
METAL STRUCTURE INSTALLATION



JAMB INSTALLATION DETAIL
METAL STRUCTURE INSTALLATION

NOTES:
 1. INTERIOR AND EXTERIOR FINISHES, BY OTHERS, NOT SHOWN FOR CLARITY.
 2. PERIMETER AND JOINT SEALANT BY OTHERS TO BE DESIGNED IN ACCORDANCE WITH ASTM E2112

SIGNED: 01/08/2020

PROVIA, LLC.
 2150 STATE ROUTE 39 WEST
 SUGARCREEK, OH 44681

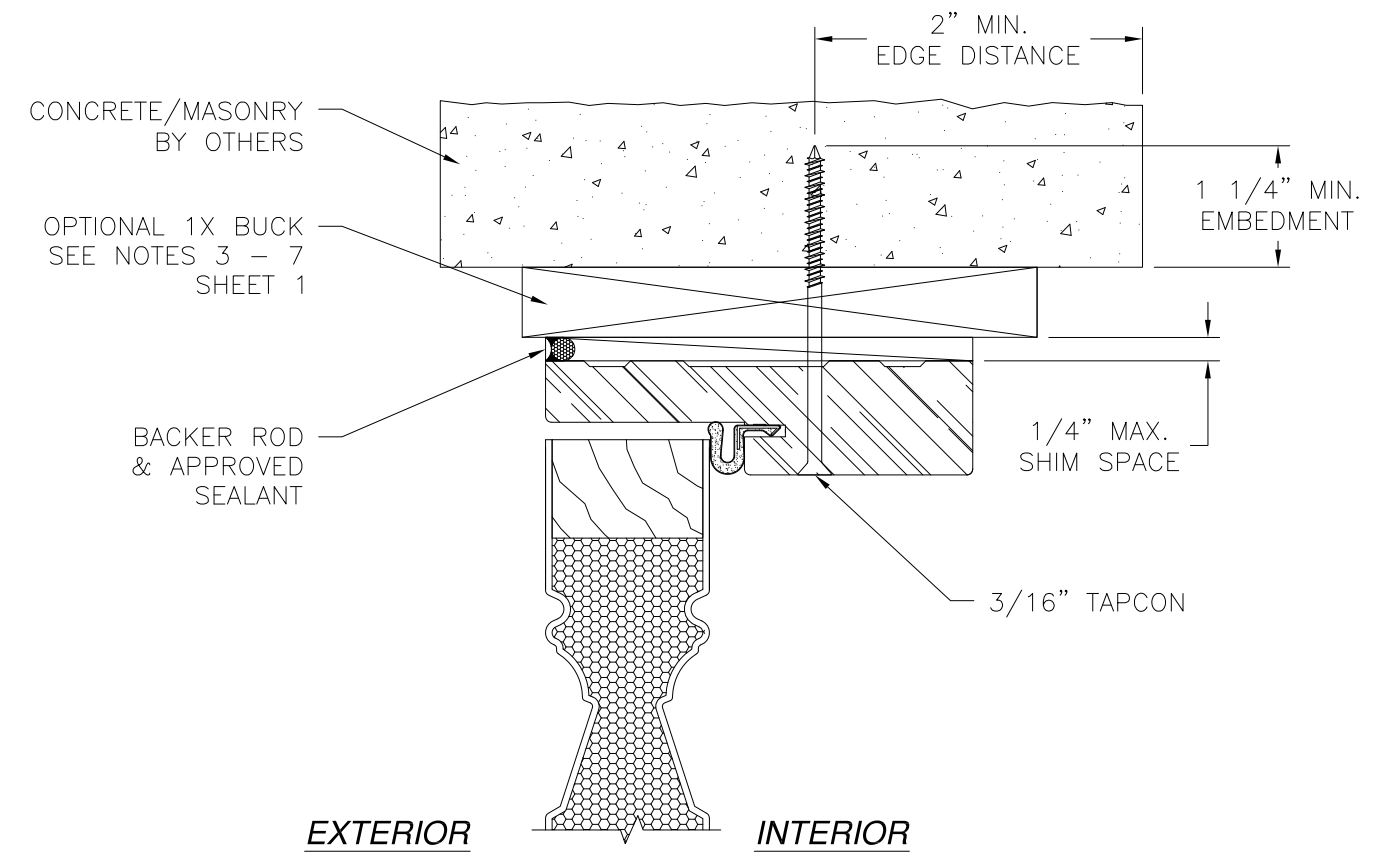
6'8 HERITAGE FIBERGLASS OPAQUE IS/OS DOOR
 LARGE MISSILE IMPACT WITH OR WITHOUT SIDELITES
 OS DOOR INSTALLATION DETAILS

DRAWN: V.L.	DWG NO. 08-01362	REV E
SCALE NTS	DATE 10/03/11	SHEET 11 OF 31

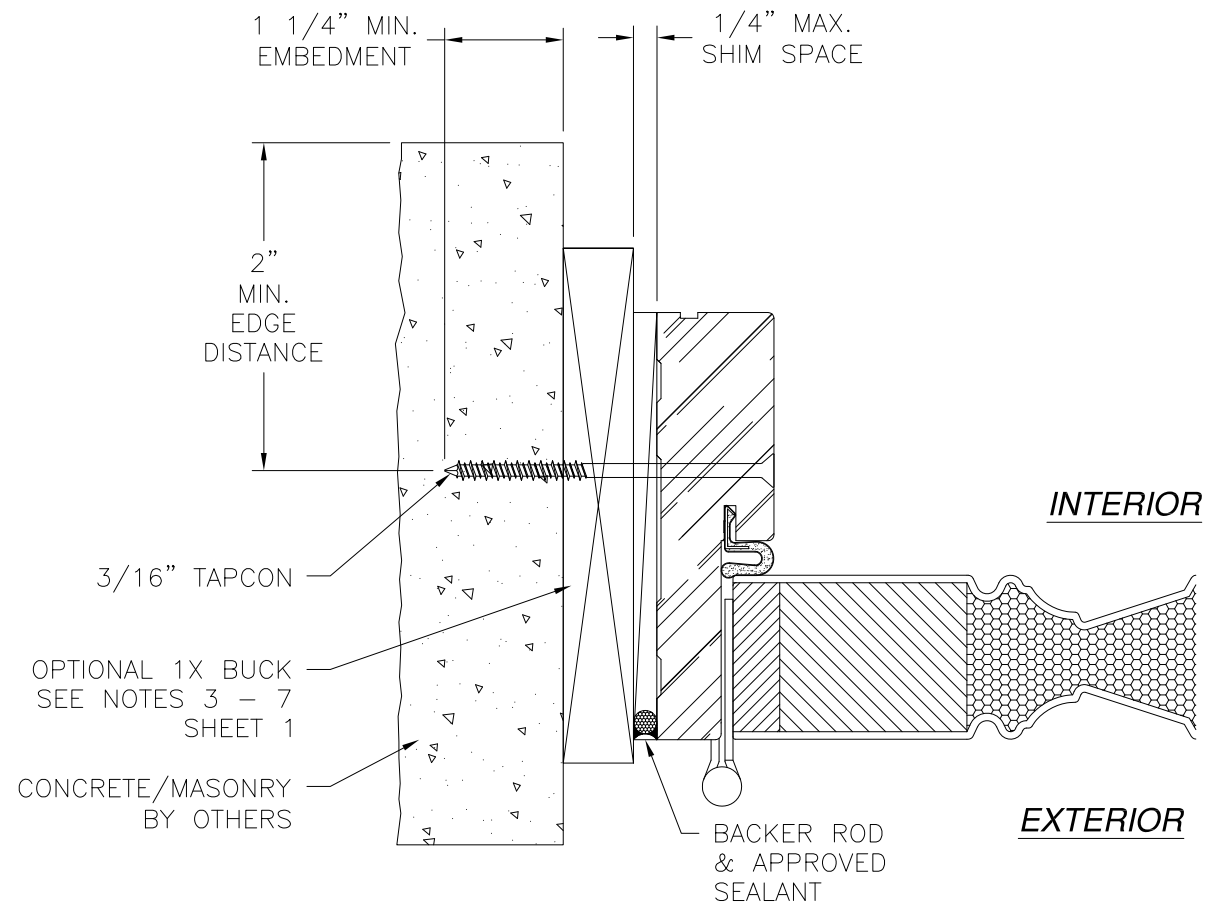
L. ROBERTO LOMAS P.E.
 1432 WOODFORD RD LEWISVILLE, NC 27023
 434-688-0609 rllomas@rlomaspe.com

Luis R. Lomas P.E.
 FL No.: 62514

REVISIONS			
REV	DESCRIPTION	DATE	APPROVED
E	ADDED SILLS	12/17/19	R.L.



**VERTICAL CROSS SECTION
CONCRETE/MASONRY INSTALLATION**



**JAMB INSTALLATION DETAIL
CONCRETE/MASONRY INSTALLATION**

- NOTES:**
1. INTERIOR AND EXTERIOR FINISHES, BY OTHERS, NOT SHOWN FOR CLARITY.
 2. PERIMETER AND JOINT SEALANT BY OTHERS TO BE DESIGNED IN ACCORDANCE WITH ASTM E2112

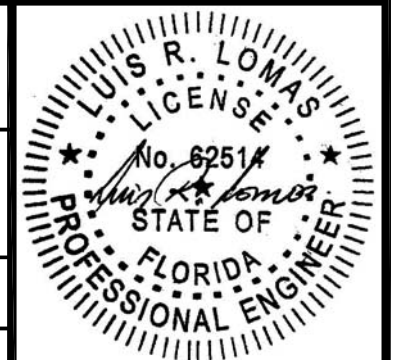
SIGNED: 01/08/2020

PROVIA, LLC.
2150 STATE ROUTE 39 WEST
SUGARCREEK, OH 44681

6'8 HERITAGE FIBERGLASS OPAQUE IS/OS DOOR
LARGE MISSILE IMPACT WITH OR WITHOUT SIDELITES
OS DOOR INSTALLATION DETAILS

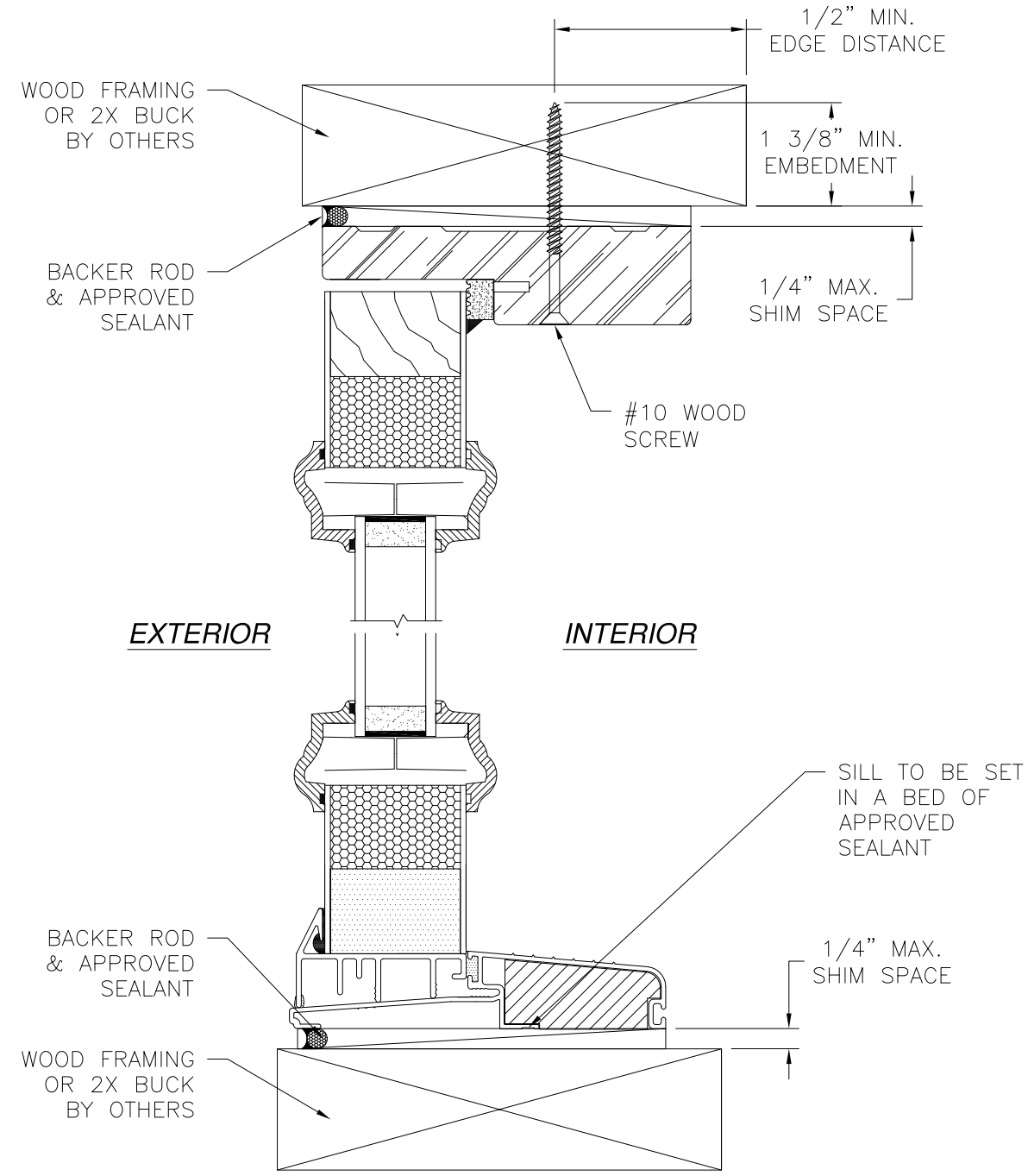
DRAWN: V.L.	DWG NO. 08-01362	REV E
SCALE NTS	DATE 10/03/11	SHEET 12 OF 31

L. ROBERTO LOMAS P.E.
1432 WOODFORD RD LEWISVILLE, NC 27023
434-688-0609 rllomas@rlomaspe.com



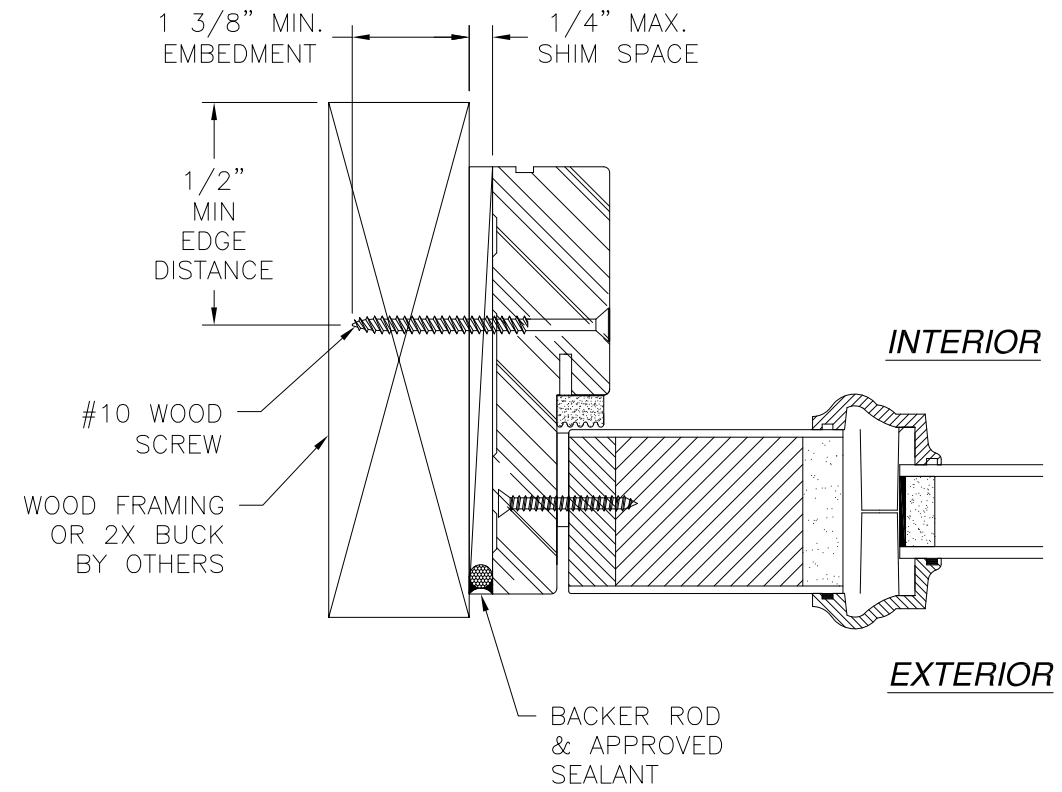
Luis R. Lomas P.E.
FL No.: 62514

REVISIONS			
REV	DESCRIPTION	DATE	APPROVED
E	ADDED SILLS	12/17/19	R.L.



EXTERIOR INTERIOR

VERTICAL CROSS SECTION
WOOD FRAMING OR 2X BUCK INSTALLATION



INTERIOR

EXTERIOR

JAMB INSTALLATION DETAIL
WOOD FRAMING OR 2X BUCK INSTALLATION

- NOTES:**
1. INTERIOR AND EXTERIOR FINISHES, BY OTHERS, NOT SHOWN FOR CLARITY.
 2. PERIMETER AND JOINT SEALANT BY OTHERS TO BE DESIGNED IN ACCORDANCE WITH ASTM E2112

SIGNED: 01/08/2020

PROVIA, LLC.
2150 STATE ROUTE 39 WEST
SUGARCREEK, OH 44681

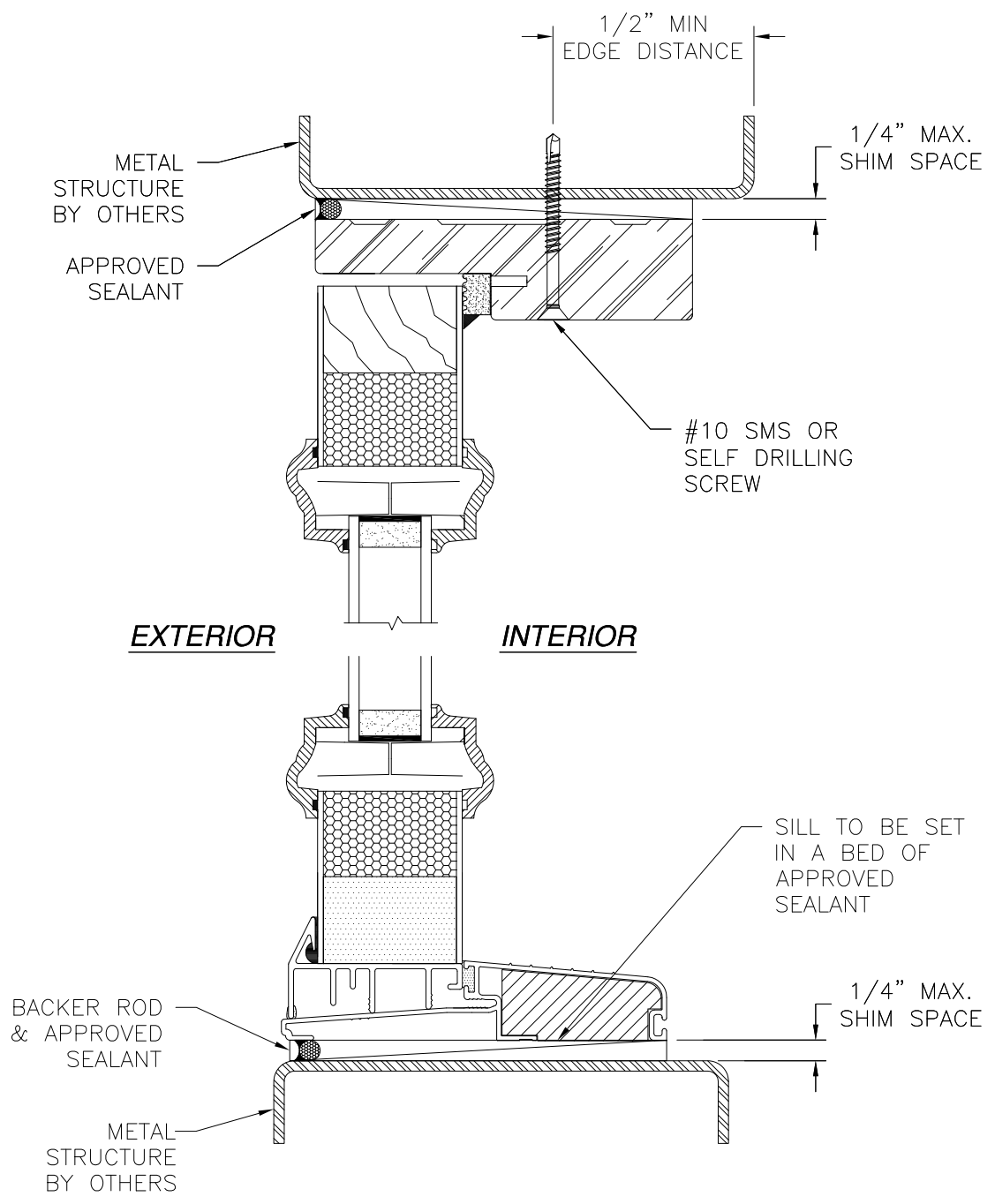
6'8 HERITAGE FIBERGLASS OPAQUE IS/OS DOOR
LARGE MISSILE IMPACT WITH OR WITHOUT SIDELITES
OS SIDELITE INSTALLATION DETAILS

DRAWN: V.L.	DWG NO. 08-01362	REV E
SCALE NTS	DATE 10/03/11	SHEET 13 OF 31

L. ROBERTO LOMAS P.E.
1432 WOODFORD RD LEWISVILLE, NC 27023
434-688-0609 rllomas@rlomaspe.com

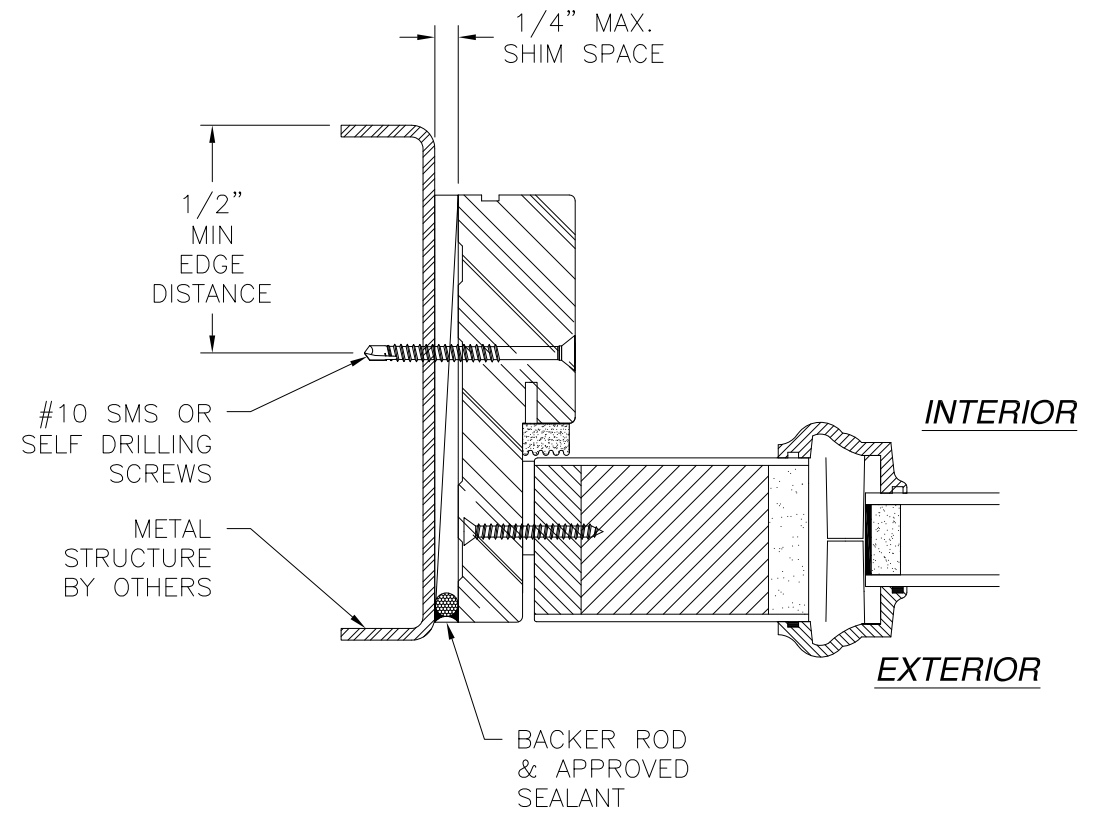
Luis R. Lomas P.E.
FL No.: 62514

REVISIONS			
REV	DESCRIPTION	DATE	APPROVED
E	ADDED SILLS	12/17/19	R.L.



VERTICAL CROSS SECTION
METAL STRUCTURE INSTALLATION

NOTES:
 1. INTERIOR AND EXTERIOR FINISHES, BY OTHERS, NOT SHOWN FOR CLARITY.
 2. PERIMETER AND JOINT SEALANT BY OTHERS TO BE DESIGNED IN ACCORDANCE WITH ASTM E2112



JAMB INSTALLATION DETAIL
METAL STRUCTURE INSTALLATION

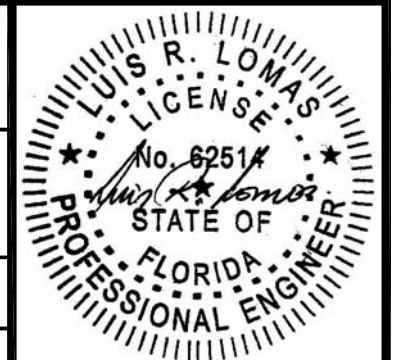
PROVIA, LLC.
 2150 STATE ROUTE 39 WEST
 SUGARCREEK, OH 44681

6'8 HERITAGE FIBERGLASS OPAQUE IS/OS DOOR
 LARGE MISSILE IMPACT WITH OR WITHOUT SIDELITES
 OS SIDELITE INSTALLATION DETAILS

DRAWN: V.L.	DWG NO. 08-01362	REV E
SCALE NTS	DATE 10/03/11	SHEET 14 OF 31

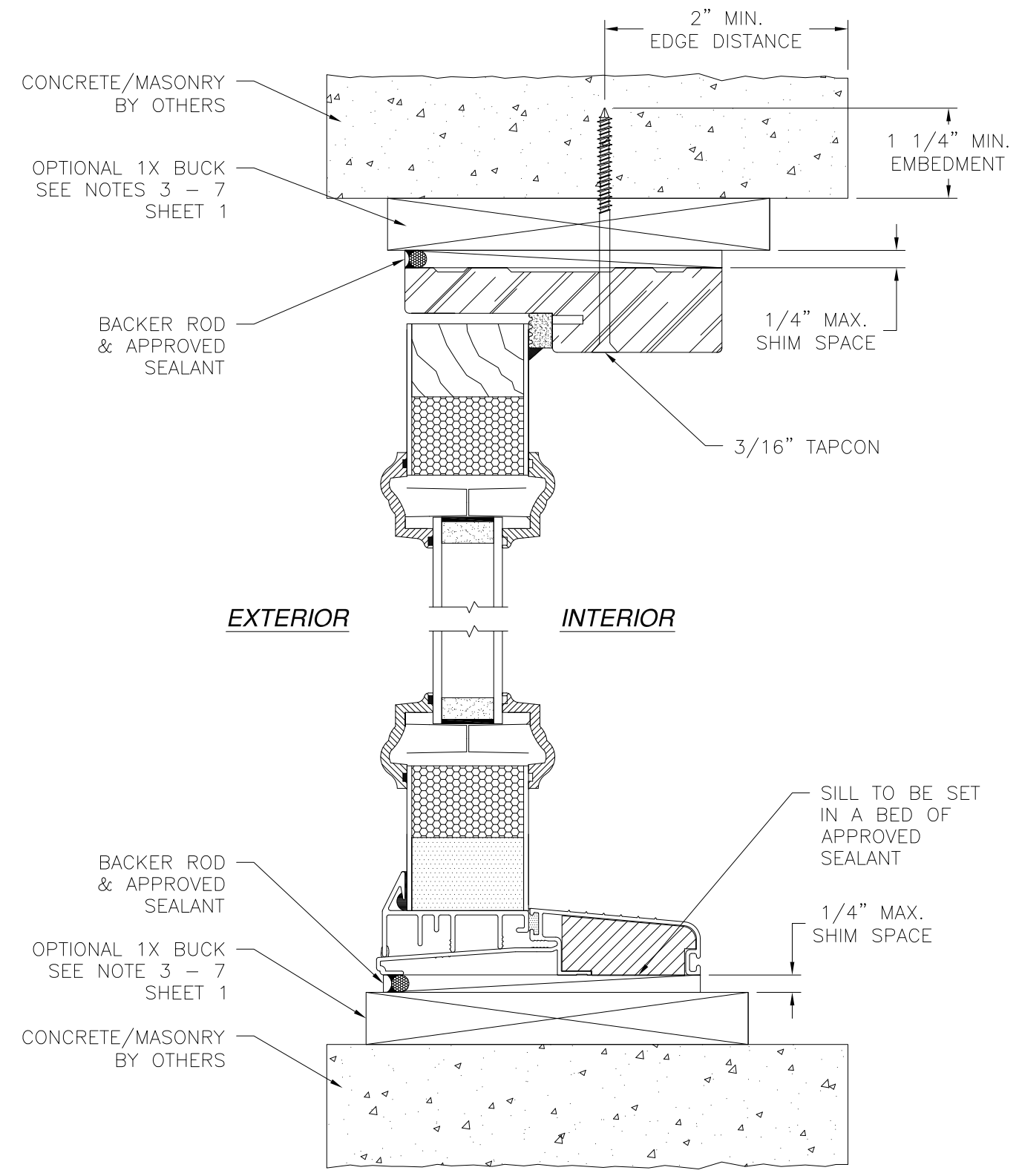
L. ROBERTO LOMAS P.E.
 1432 WOODFORD RD LEWISVILLE, NC 27023
 434-688-0609 rllomas@rlomaspe.com

SIGNED: 01/08/2020

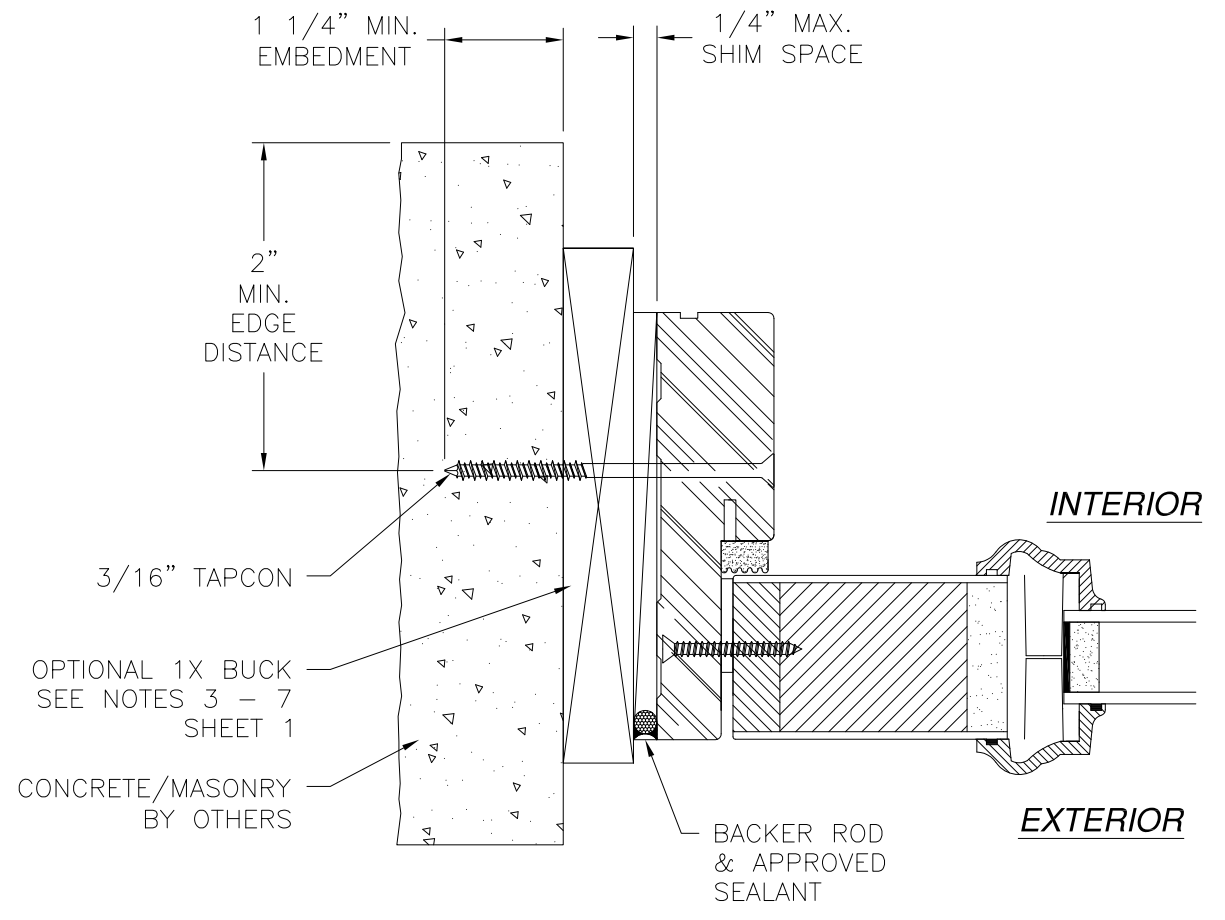


Luis R. Lomas P.E.
 FL No.: 62514

REVISIONS			
REV	DESCRIPTION	DATE	APPROVED
E	ADDED SILLS	12/17/19	R.L.



**VERTICAL CROSS SECTION
CONCRETE/MASONRY INSTALLATION**



**JAMB INSTALLATION DETAIL
CONCRETE/MASONRY INSTALLATION**

- NOTES:**
1. INTERIOR AND EXTERIOR FINISHES, BY OTHERS, NOT SHOWN FOR CLARITY.
 2. PERIMETER AND JOINT SEALANT BY OTHERS TO BE DESIGNED IN ACCORDANCE WITH ASTM E2112

SIGNED: 01/08/2020

PROVIA, LLC.
2150 STATE ROUTE 39 WEST
SUGARCREEK, OH 44681

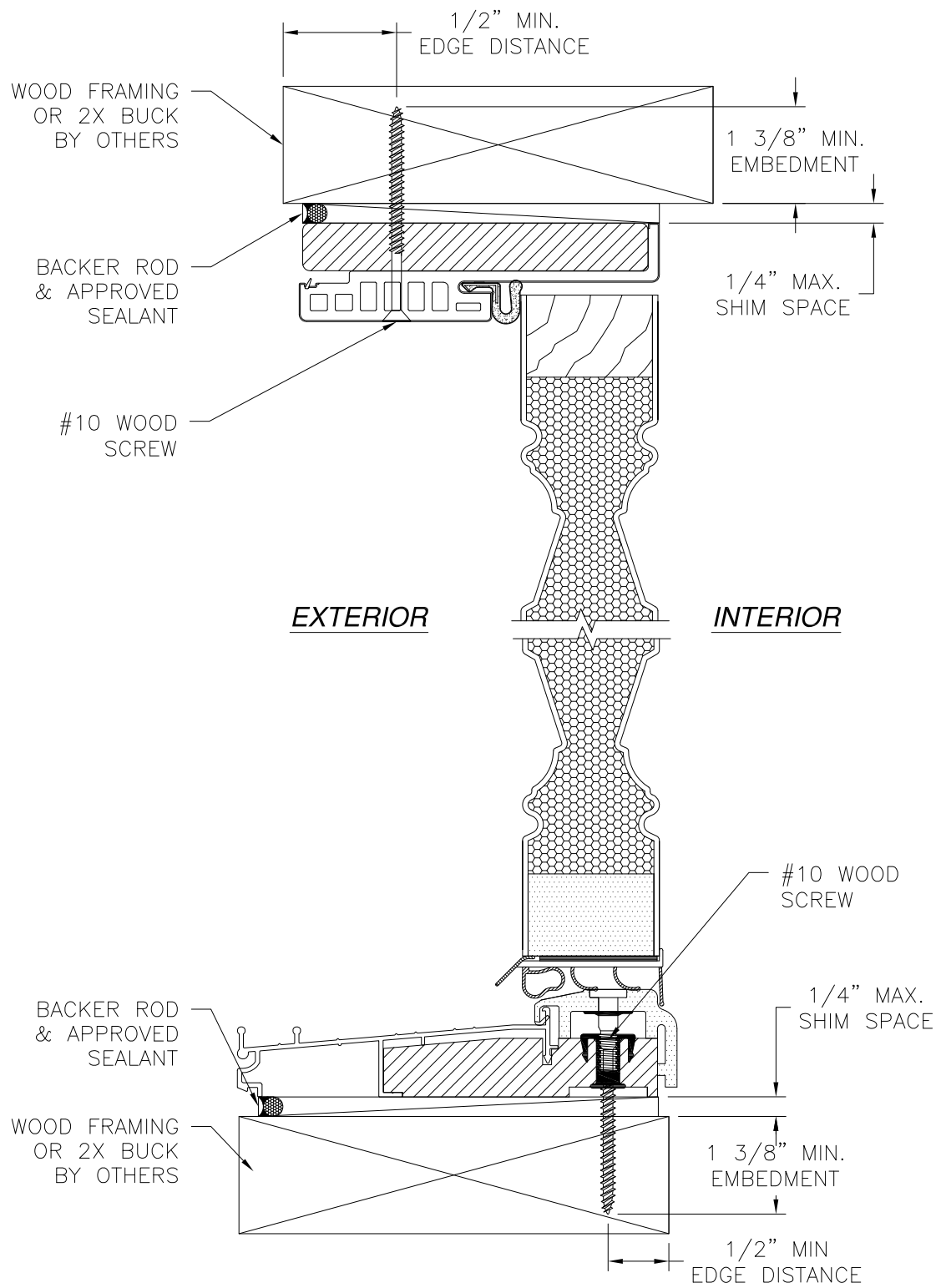
6'8 HERITAGE FIBERGLASS OPAQUE IS/OS DOOR
LARGE MISSILE IMPACT WITH OR WITHOUT SIDELITES
OS SIDELITE INSTALLATION DETAILS

DRAWN: V.L.	DWG NO. 08-01362	REV E
SCALE NTS	DATE 10/03/11	SHEET 15 OF 31

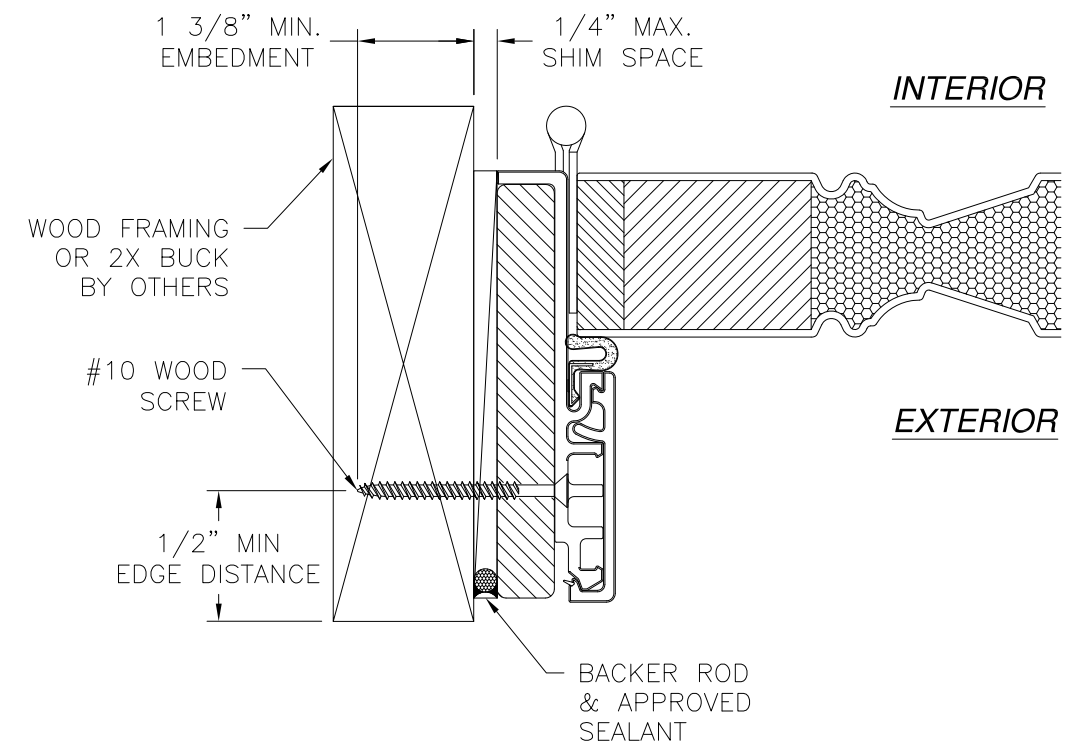
L. ROBERTO LOMAS P.E.
1432 WOODFORD RD LEWISVILLE, NC 27023
434-688-0609 rllomas@rlomaspe.com

Luis R. Lomas P.E.
FL No.: 62514

REVISIONS			
REV	DESCRIPTION	DATE	APPROVED
E	ADDED SILLS	12/17/19	R.L.



VERTICAL CROSS SECTION
WOOD FRAMING OR 2X BUCK INSTALLATION



JAMB INSTALLATION DETAIL
WOOD FRAMING OR 2X BUCK INSTALLATION

- NOTES:**
1. INTERIOR AND EXTERIOR FINISHES, BY OTHERS, NOT SHOWN FOR CLARITY.
 2. PERIMETER AND JOINT SEALANT BY OTHERS TO BE DESIGNED IN ACCORDANCE WITH ASTM E2112

SIGNED: 01/08/2020

PROVIA, LLC.
2150 STATE ROUTE 39 WEST
SUGARCREEK, OH 44681

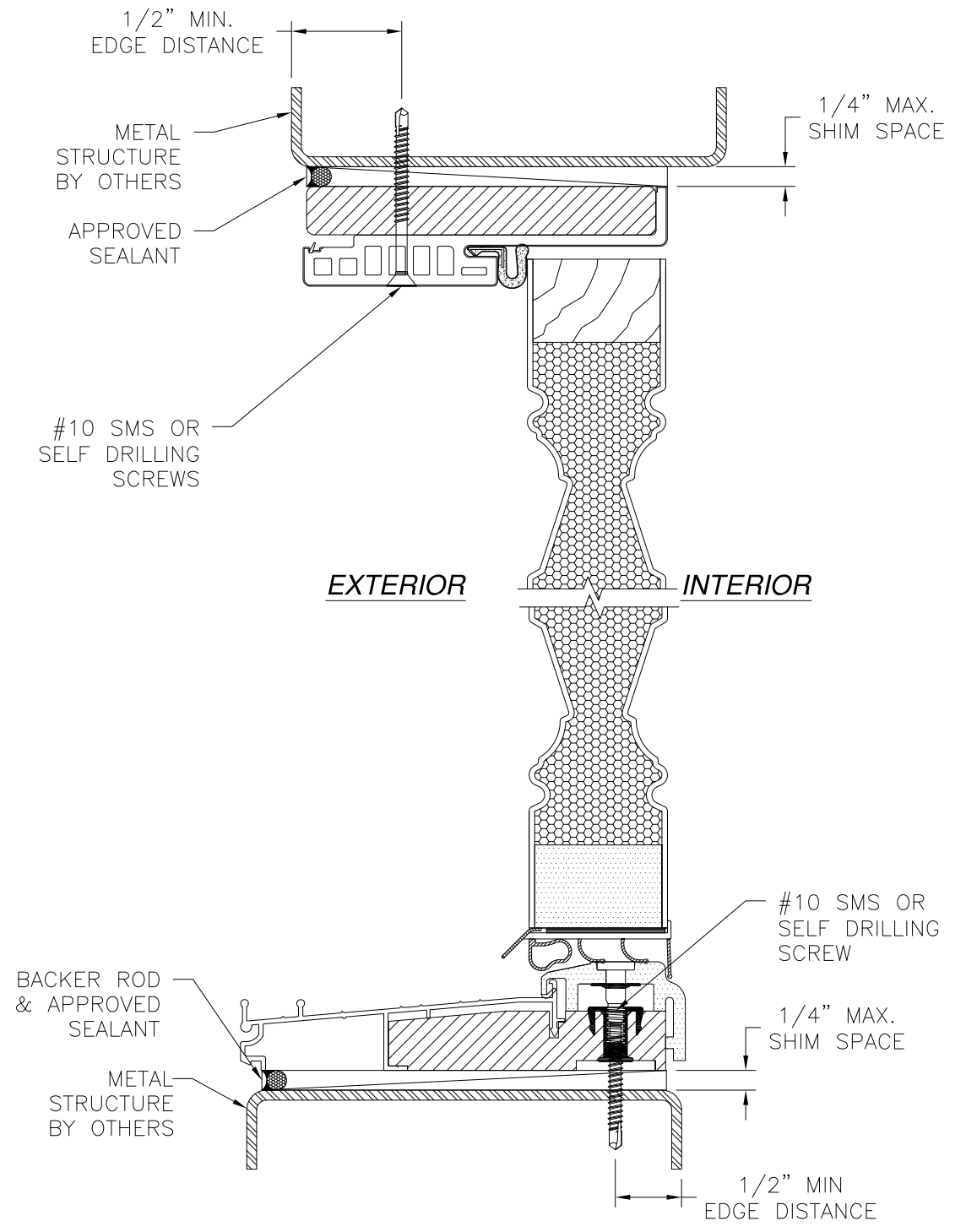
6'8 HERITAGE FIBERGLASS OPAQUE IS/OS DOOR
LARGE MISSILE IMPACT WITH OR WITHOUT SIDELITES
IS DOOR W/FUSION FRAME INSTALLATION DETAILS

DRAWN: V.L.	DWG NO. 08-01362	REV E
SCALE NTS	DATE 10/03/11	SHEET 16 OF 31

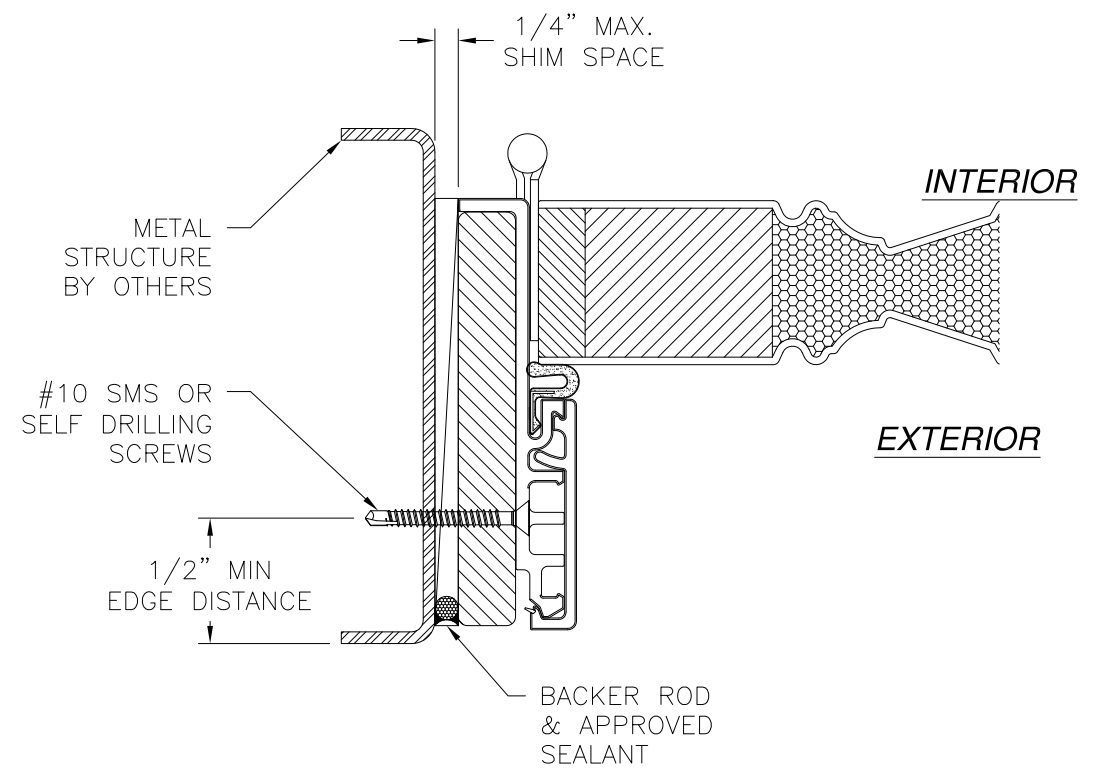
L. ROBERTO LOMAS P.E.
1432 WOODFORD RD LEWISVILLE, NC 27023
434-688-0609 rllomas@rlomaspe.com

Luis R. Lomas P.E.
FL No.: 62514

REVISIONS			
REV	DESCRIPTION	DATE	APPROVED
E	ADDED SILLS	12/17/19	R.L.



VERTICAL CROSS SECTION
METAL STRUCTURE INSTALLATION



JAMB INSTALLATION DETAIL
METAL STRUCTURE INSTALLATION

- NOTES:**
1. INTERIOR AND EXTERIOR FINISHES, BY OTHERS, NOT SHOWN FOR CLARITY.
 2. PERIMETER AND JOINT SEALANT BY OTHERS TO BE DESIGNED IN ACCORDANCE WITH ASTM E2112

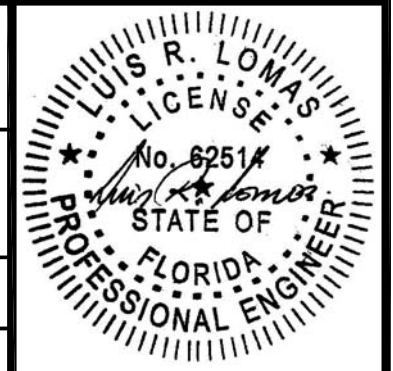
SIGNED: 01/08/2020

PROVIA, LLC.
2150 STATE ROUTE 39 WEST
SUGARCREEK, OH 44681

6'8 HERITAGE FIBERGLASS OPAQUE IS/OS DOOR
LARGE MISSILE IMPACT WITH OR WITHOUT SIDELITES
IS DOOR W/FUSION FRAME INSTALLATION DETAILS

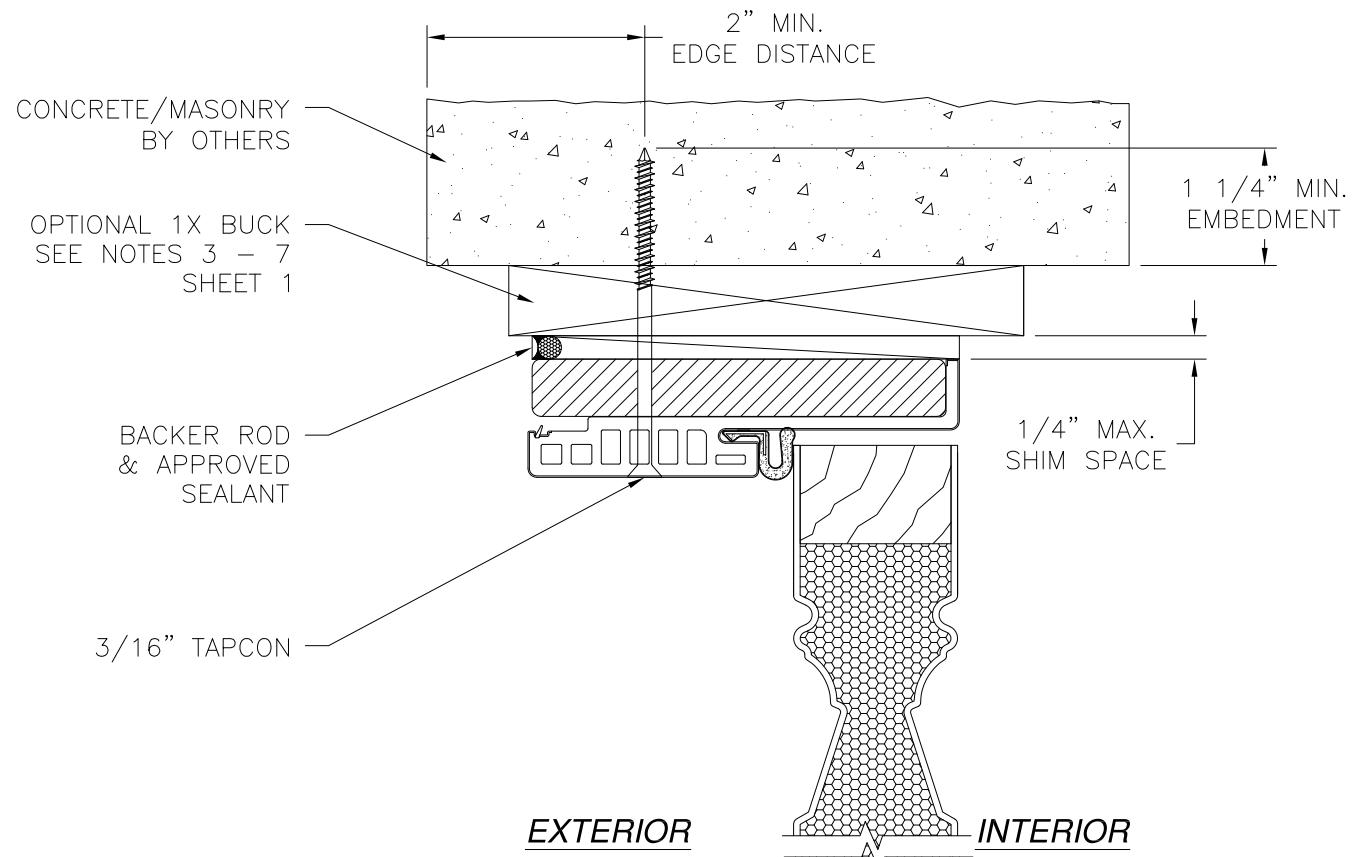
DRAWN: V.L.	DWG NO. 08-01362	REV E
SCALE NTS	DATE 10/03/11	SHEET 17 OF 31

L. ROBERTO LOMAS P.E.
1432 WOODFORD RD LEWISVILLE, NC 27023
434-688-0609 rllomas@rlomaspe.com

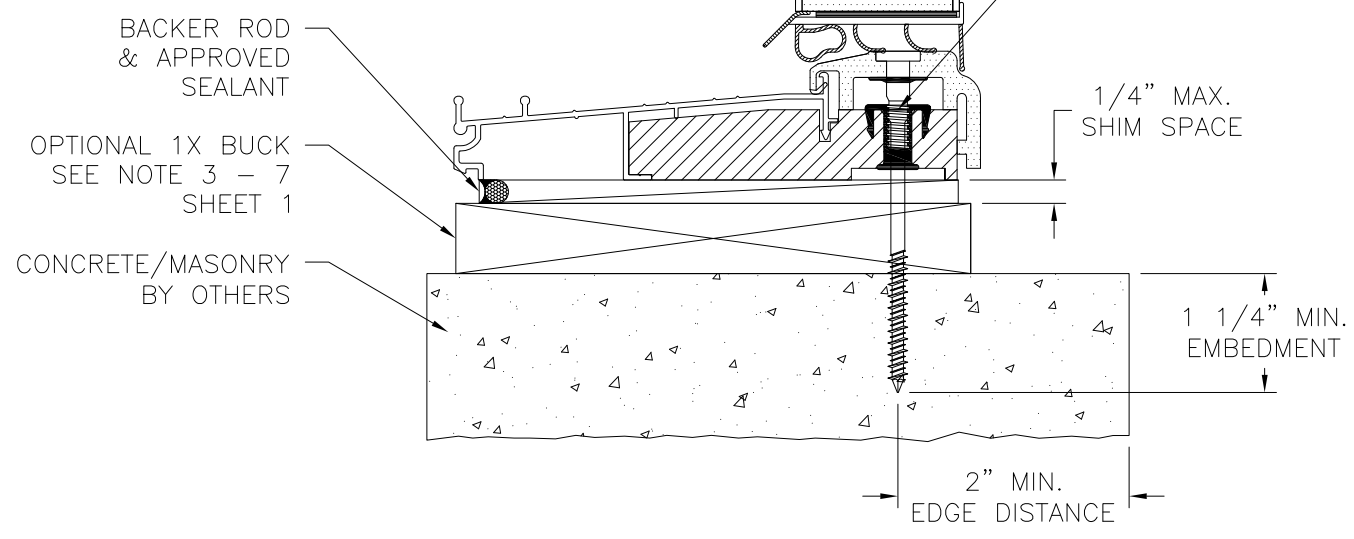


Luis R. Lomas P.E.
FL No.: 62514

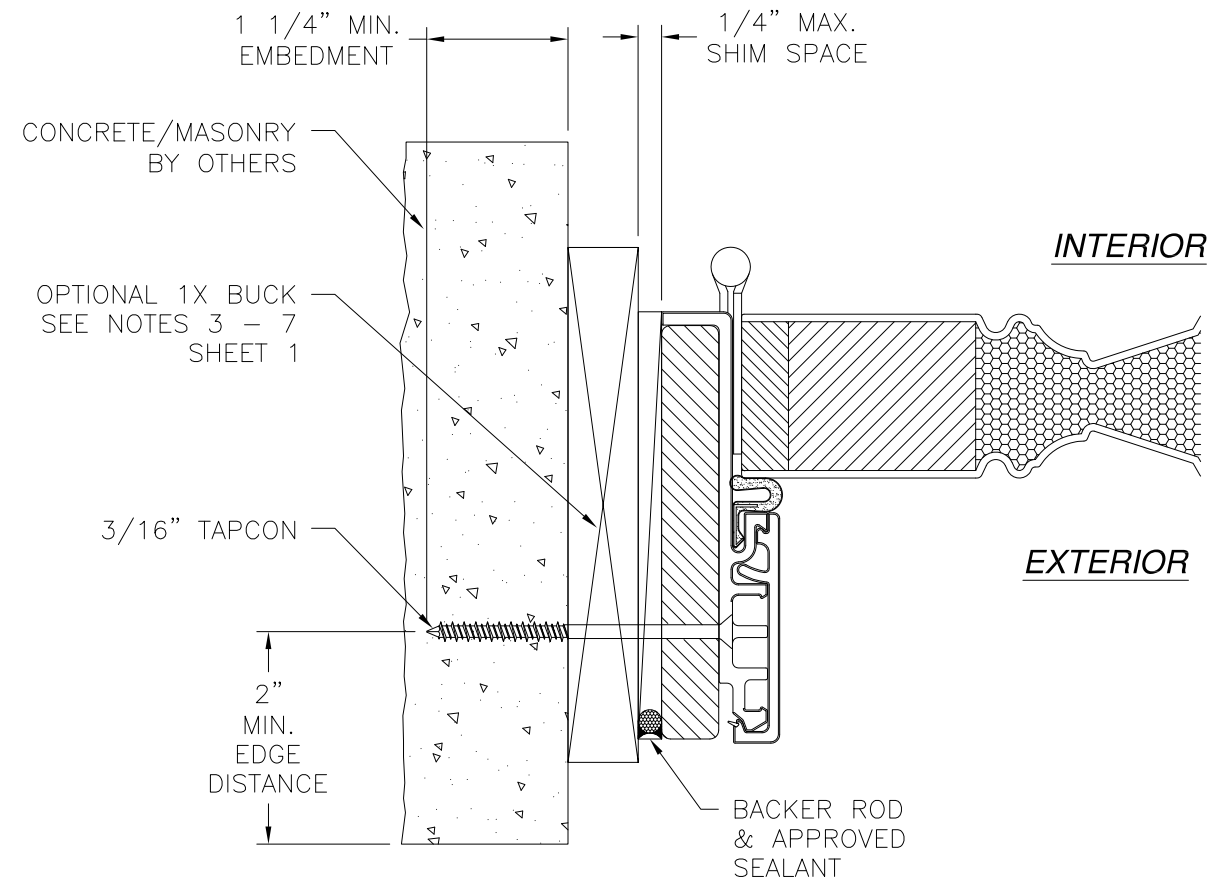
REVISIONS			
REV	DESCRIPTION	DATE	APPROVED
E	ADDED SILLS	12/17/19	R.L.



EXTERIOR **INTERIOR**



**VERTICAL CROSS SECTION
CONCRETE/MASONRY INSTALLATION**



**JAMB INSTALLATION DETAIL
CONCRETE/MASONRY INSTALLATION**

- NOTES:**
 1. INTERIOR AND EXTERIOR FINISHES, BY OTHERS, NOT SHOWN FOR CLARITY.
 2. PERIMETER AND JOINT SEALANT BY OTHERS TO BE DESIGNED IN ACCORDANCE WITH ASTM E2112

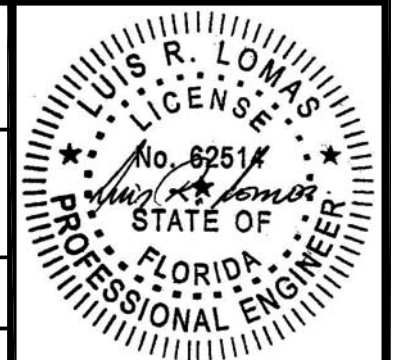
SIGNED: 01/08/2020

PROVIA, LLC.
 2150 STATE ROUTE 39 WEST
 SUGARCREEK, OH 44681

6'8 HERITAGE FIBERGLASS OPAQUE IS/OS DOOR
 LARGE MISSILE IMPACT WITH OR WITHOUT SIDELITES
 IS DOOR W/FUSION FRAME INSTALLATION DETAILS

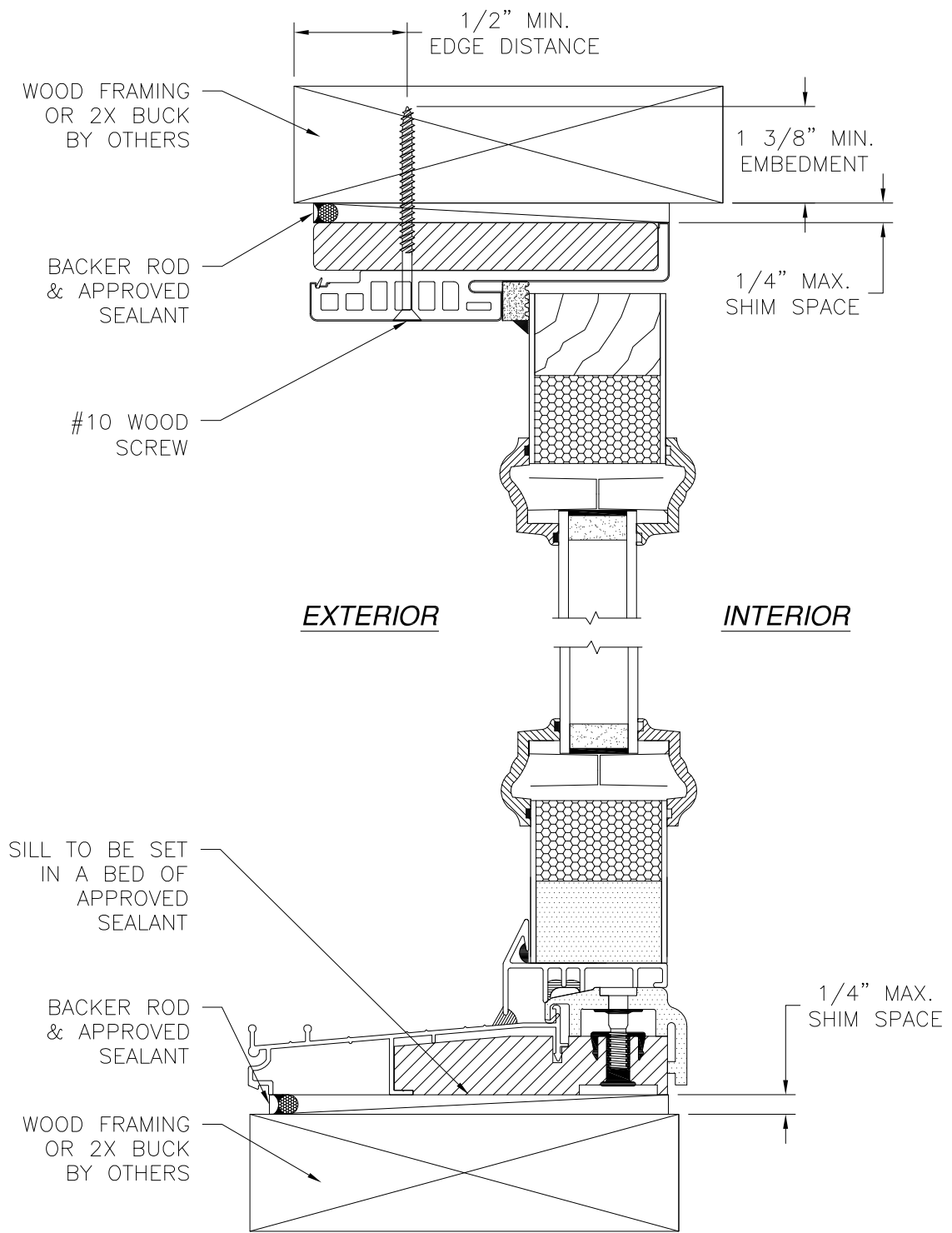
DRAWN: V.L.	DWG NO. 08-01362	REV E
SCALE NTS	DATE 10/03/11	SHEET 18 OF 31

L. ROBERTO LOMAS P.E.
 1432 WOODFORD RD LEWISVILLE, NC 27023
 434-688-0609 rllomas@rlomaspe.com

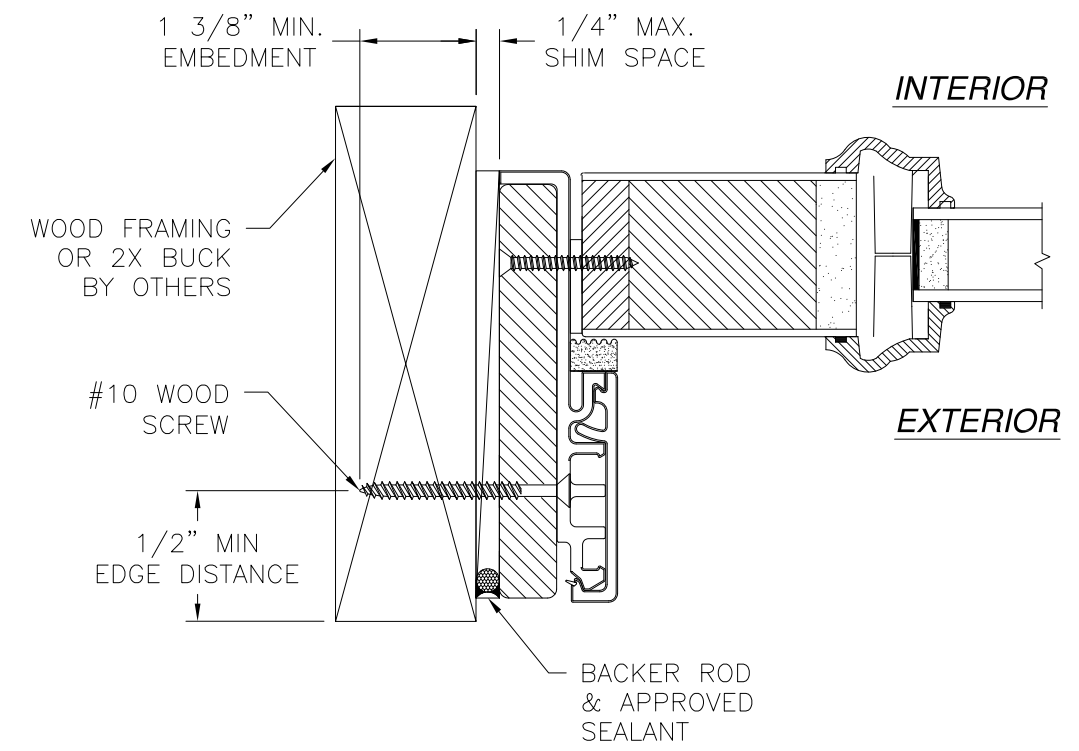


Luis R. Lomas P.E.
 FL No.: 62514

REVISIONS			
REV	DESCRIPTION	DATE	APPROVED
E	ADDED SILLS	12/17/19	R.L.



VERTICAL CROSS SECTION
WOOD FRAMING OR 2X BUCK INSTALLATION



JAMB INSTALLATION DETAIL
WOOD FRAMING OR 2X BUCK INSTALLATION

- NOTES:**
1. INTERIOR AND EXTERIOR FINISHES, BY OTHERS, NOT SHOWN FOR CLARITY.
 2. PERIMETER AND JOINT SEALANT BY OTHERS TO BE DESIGNED IN ACCORDANCE WITH ASTM E2112

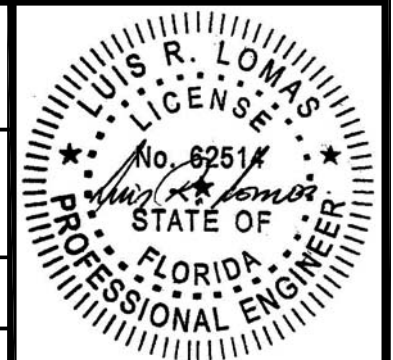
SIGNED: 01/08/2020

PROVIA, LLC.
2150 STATE ROUTE 39 WEST
SUGARCREEK, OH 44681

6'8 HERITAGE FIBERGLASS OPAQUE IS/OS DOOR
LARGE MISSILE IMPACT WITH OR WITHOUT SIDELITES
IS SIDELITE W/FUSION FRAME INSTALLATION DETAILS

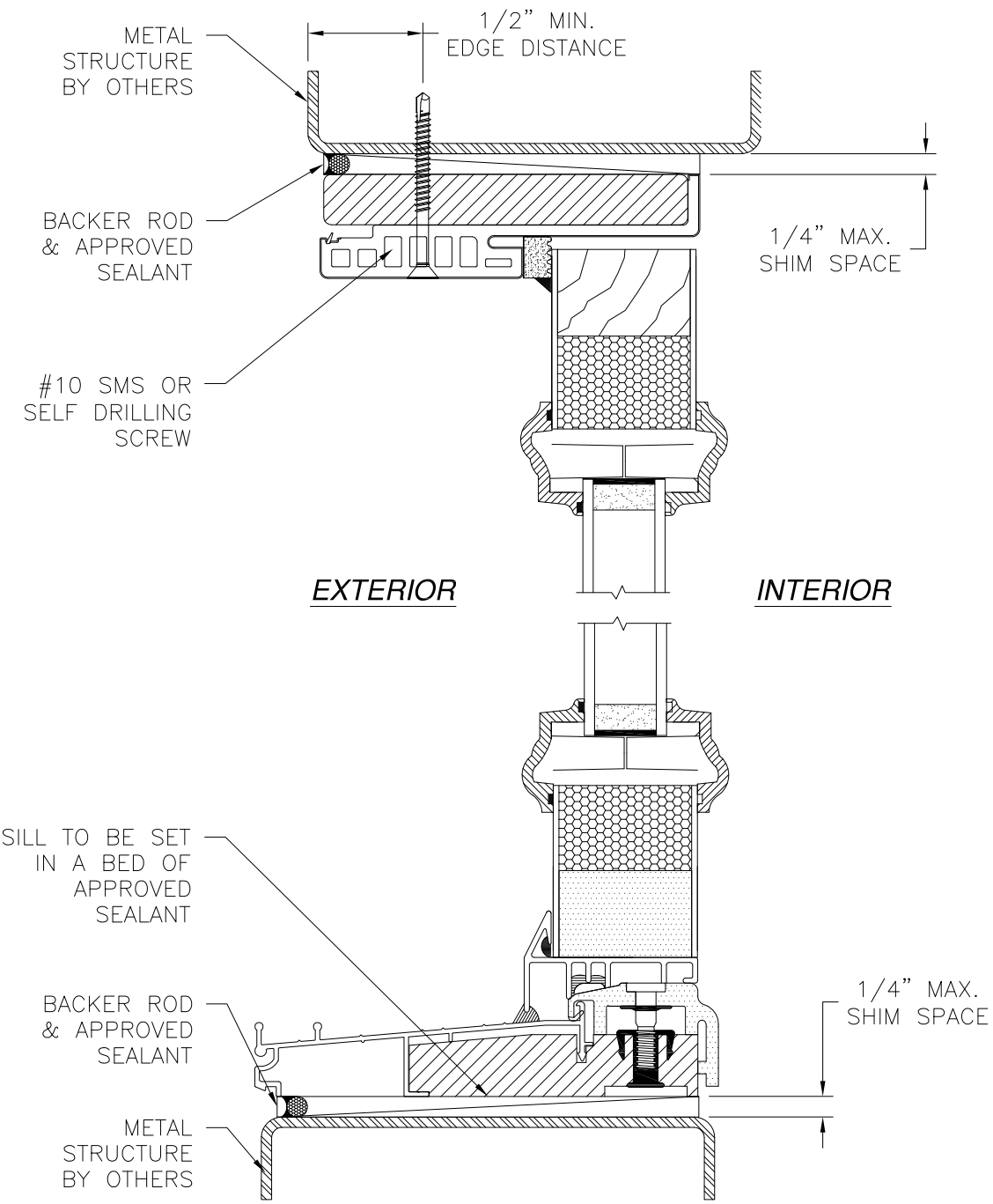
DRAWN: V.L.	DWG NO. 08-01362	REV E
SCALE NTS	DATE 10/03/11	SHEET 19 OF 31

L. ROBERTO LOMAS P.E.
1432 WOODFORD RD LEWISVILLE, NC 27023
434-688-0609 rllomas@rlomaspe.com

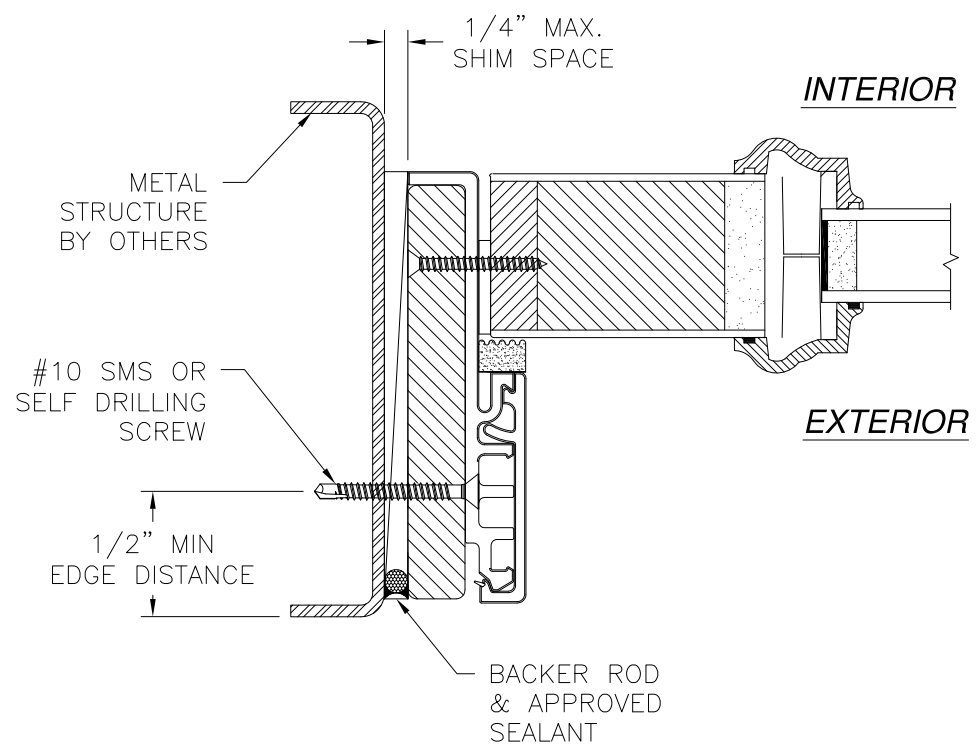


Luis R. Lomas P.E.
FL No.: 62514

REVISIONS			
REV	DESCRIPTION	DATE	APPROVED
E	ADDED SILLS	12/17/19	R.L.



VERTICAL CROSS SECTION
METAL STRUCTURE INSTALLATION



JAMB INSTALLATION DETAIL
METAL STRUCTURE INSTALLATION

- NOTES:**
1. INTERIOR AND EXTERIOR FINISHES, BY OTHERS, NOT SHOWN FOR CLARITY.
 2. PERIMETER AND JOINT SEALANT BY OTHERS TO BE DESIGNED IN ACCORDANCE WITH ASTM E2112

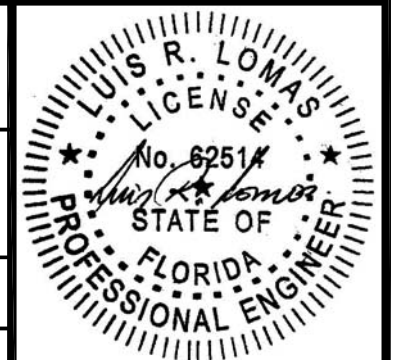
SIGNED: 01/08/2020

PROVIA, LLC.
2150 STATE ROUTE 39 WEST
SUGARCREEK, OH 44681

6'8 HERITAGE FIBERGLASS OPAQUE IS/OS DOOR
LARGE MISSILE IMPACT WITH OR WITHOUT SIDELITES
IS SIDELITE W/FUSION FRAME INSTALLATION DETAILS

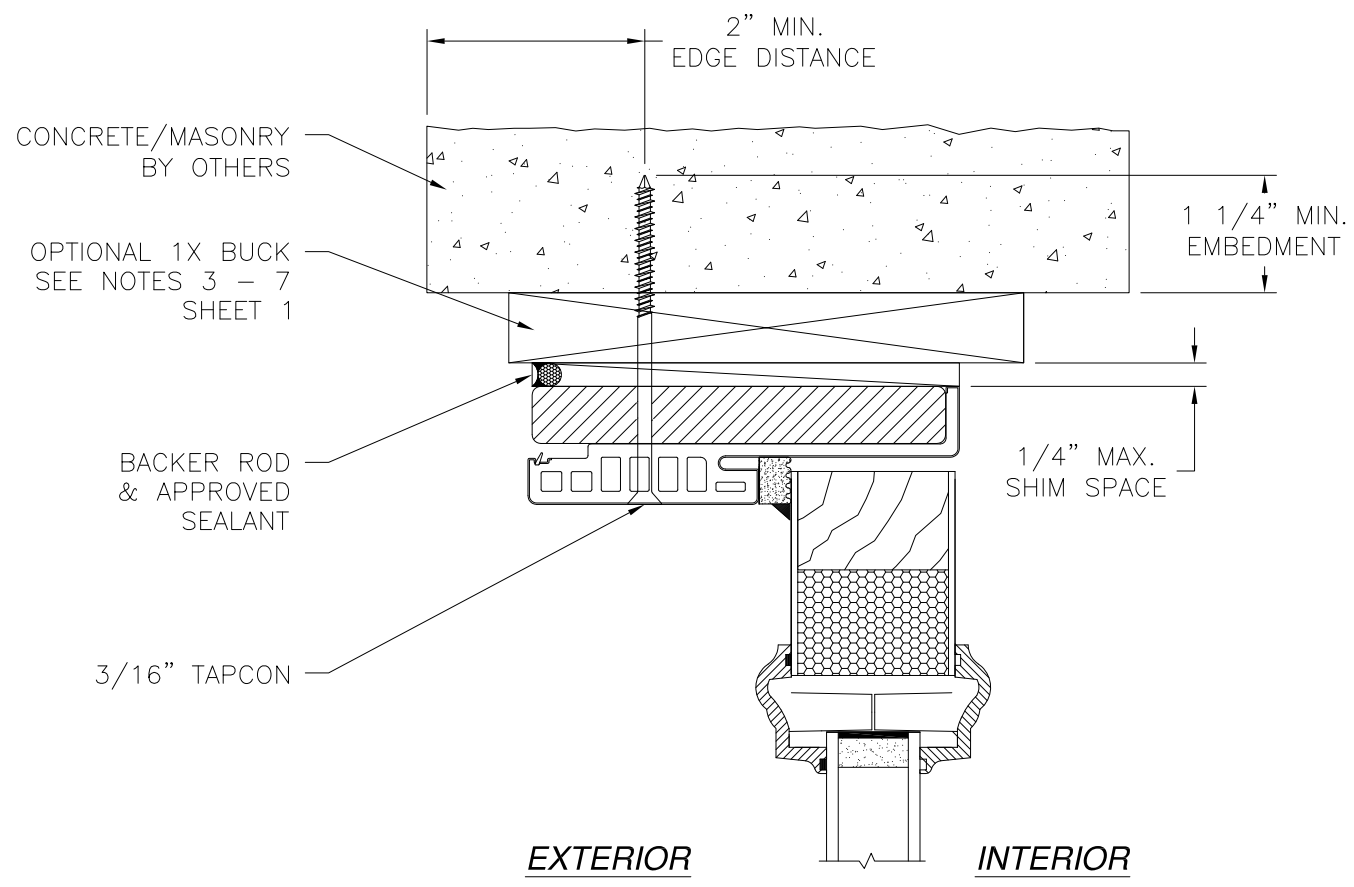
DRAWN: V.L.	DWG NO. 08-01362	REV E
SCALE NTS	DATE 10/03/11	SHEET 20 OF 31

L. ROBERTO LOMAS P.E.
1432 WOODFORD RD LEWISVILLE, NC 27023
434-688-0609 rllomas@rlomaspe.com

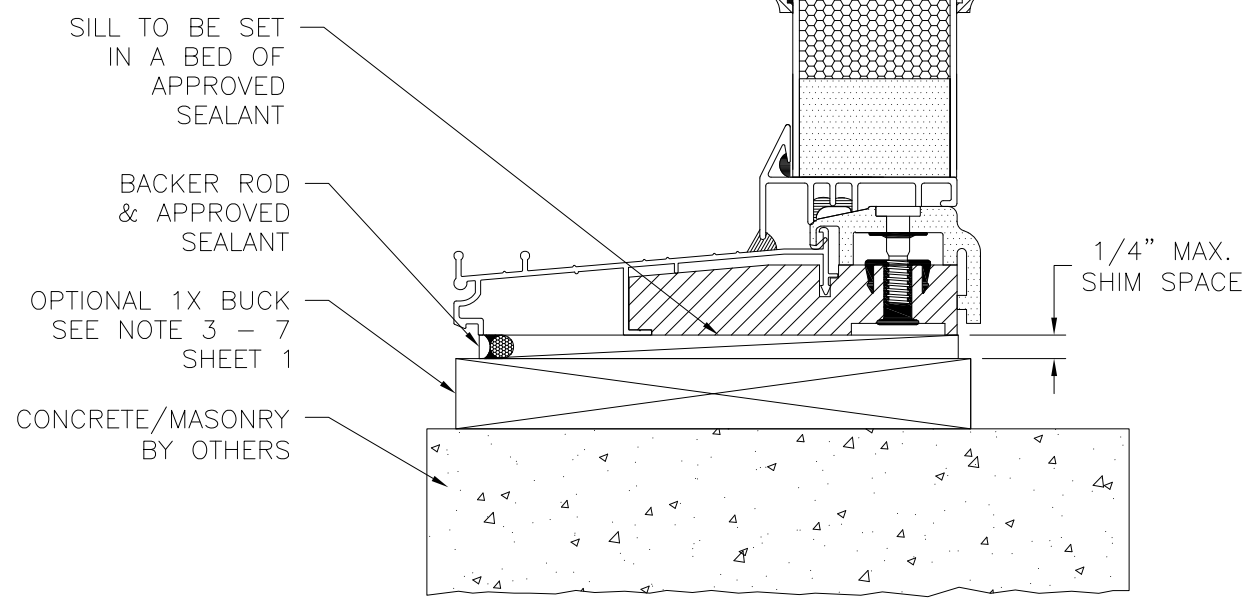


Luis R. Lomas P.E.
FL No.: 62514

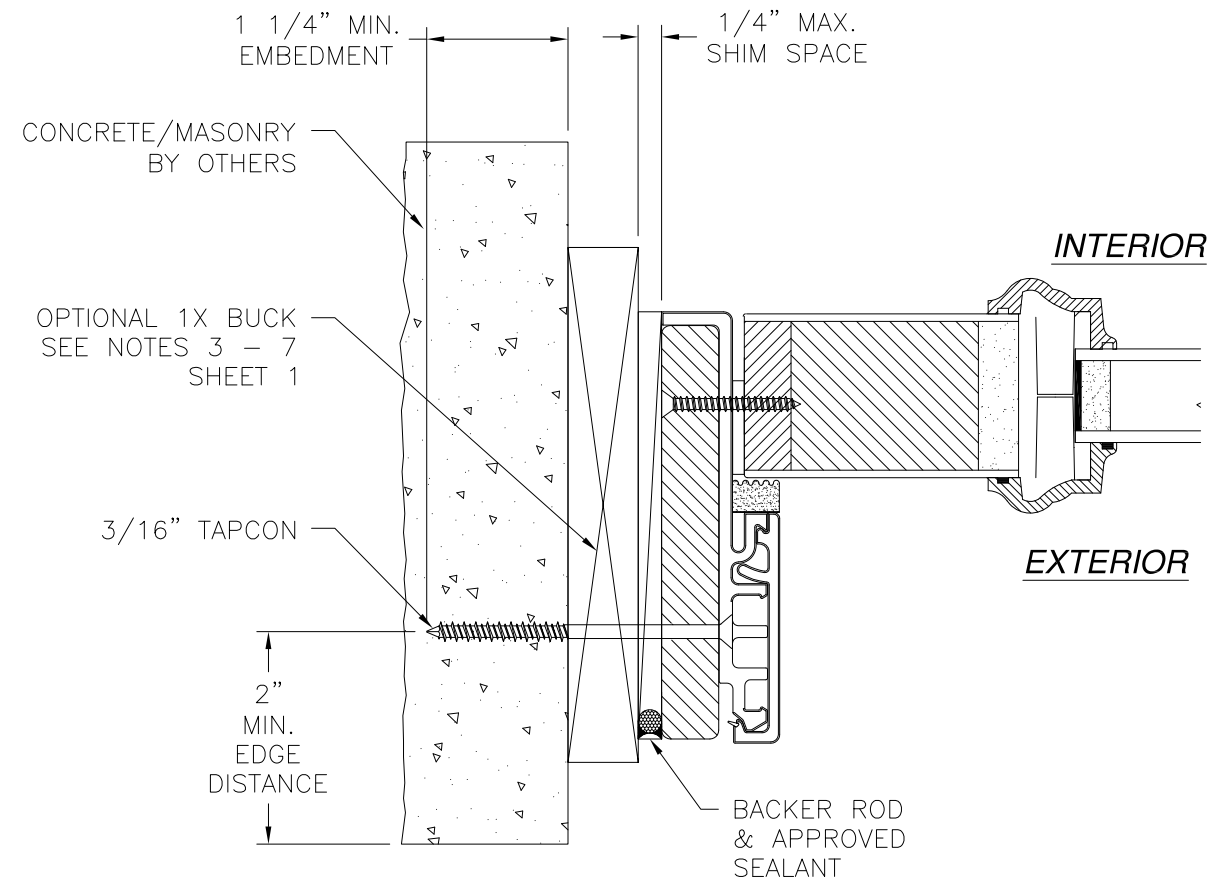
REVISIONS			
REV	DESCRIPTION	DATE	APPROVED
E	ADDED SILLS	12/17/19	R.L.



EXTERIOR **INTERIOR**



VERTICAL CROSS SECTION
CONCRETE/MASONRY INSTALLATION



JAMB INSTALLATION DETAIL
CONCRETE/MASONRY INSTALLATION

- NOTES:**
1. INTERIOR AND EXTERIOR FINISHES, BY OTHERS, NOT SHOWN FOR CLARITY.
 2. PERIMETER AND JOINT SEALANT BY OTHERS TO BE DESIGNED IN ACCORDANCE WITH ASTM E2112

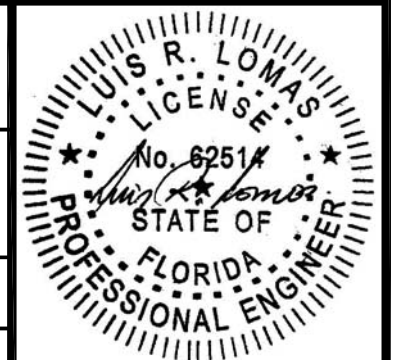
SIGNED: 01/08/2020

PROVIA, LLC.
2150 STATE ROUTE 39 WEST
SUGARCREEK, OH 44681

6'8 HERITAGE FIBERGLASS OPAQUE IS/OS DOOR
LARGE MISSILE IMPACT WITH OR WITHOUT SIDELITES
IS SIDELITE W/FUSION FRAME INSTALLATION DETAILS

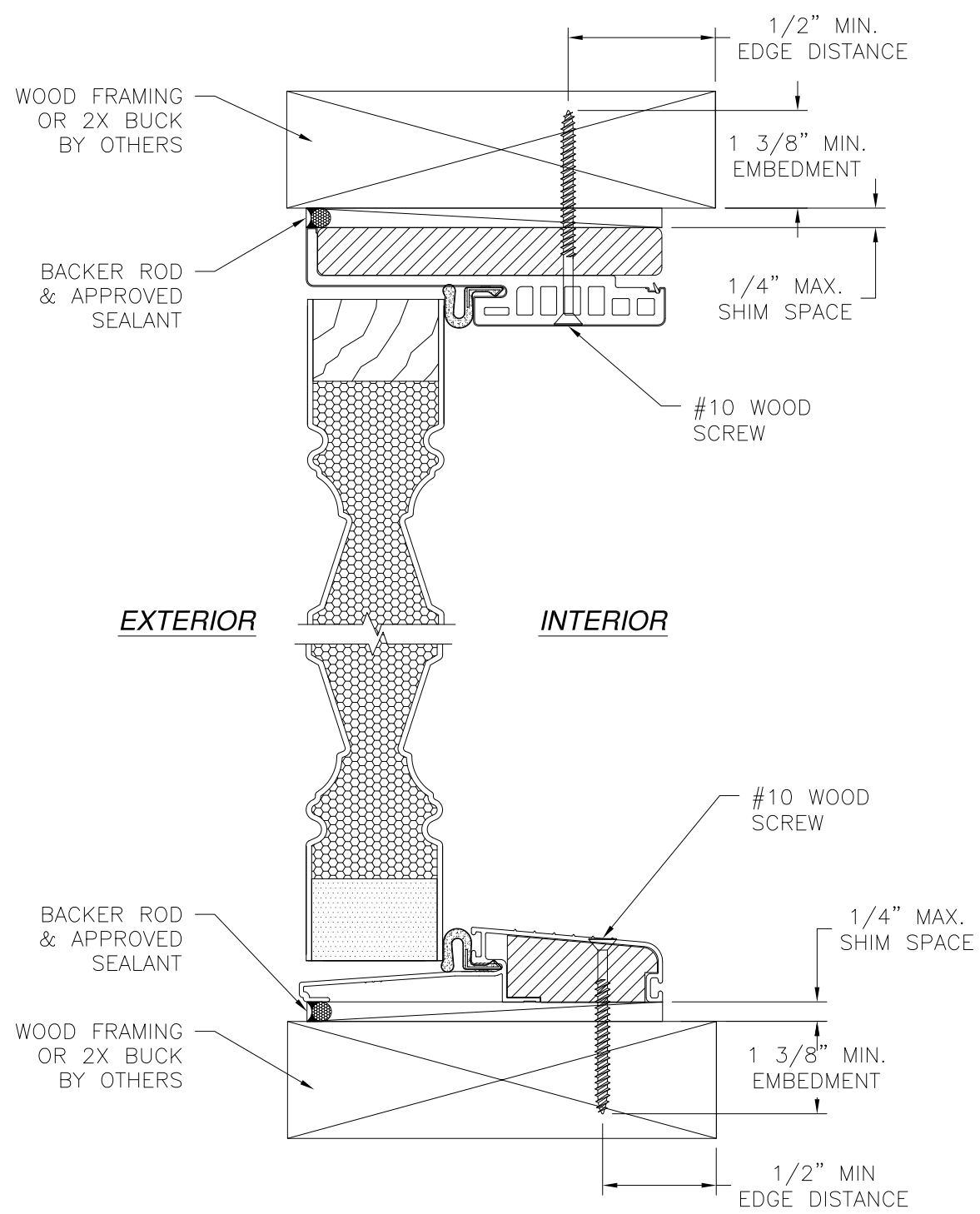
DRAWN: V.L.	DWG NO. 08-01362	REV E
SCALE NTS	DATE 10/03/11	SHEET 21 OF 31

L. ROBERTO LOMAS P.E.
1432 WOODFORD RD LEWISVILLE, NC 27023
434-688-0609 rllomas@rlomaspe.com

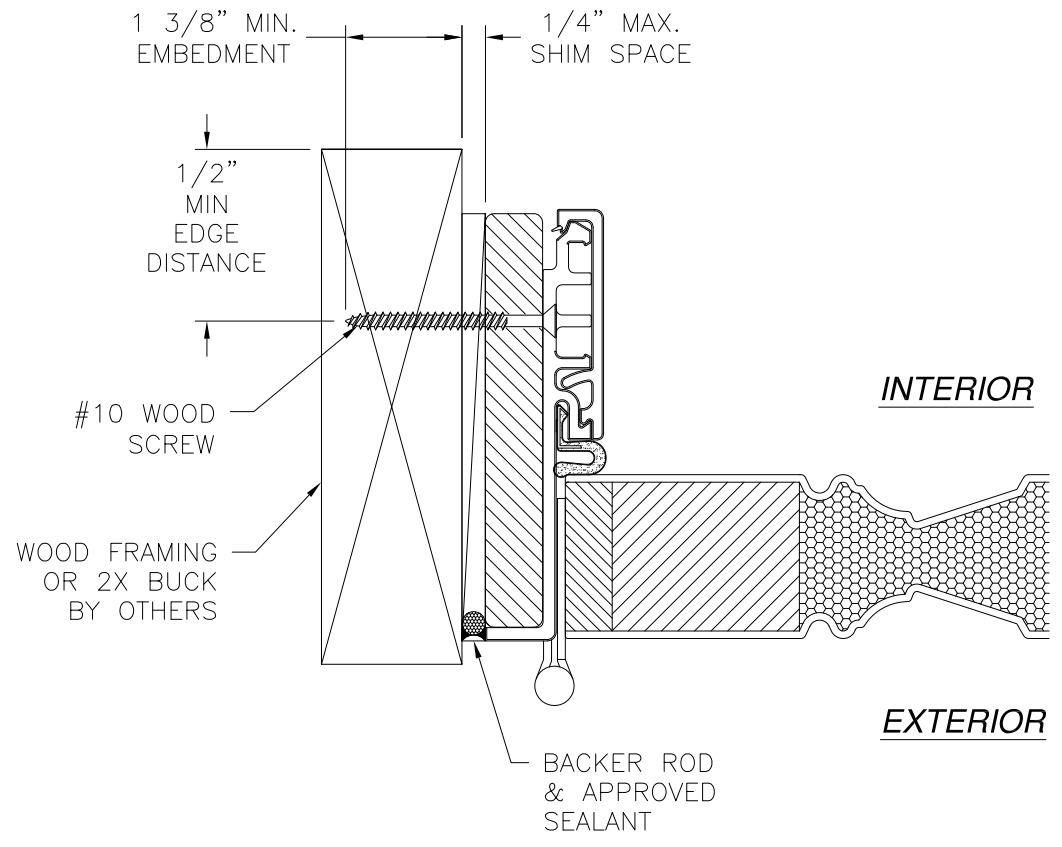


Luis R. Lomas P.E.
FL No.: 62514

REVISIONS			
REV	DESCRIPTION	DATE	APPROVED
E	ADDED SILLS	12/17/19	R.L.



VERTICAL CROSS SECTION
WOOD FRAMING OR 2X BUCK INSTALLATION

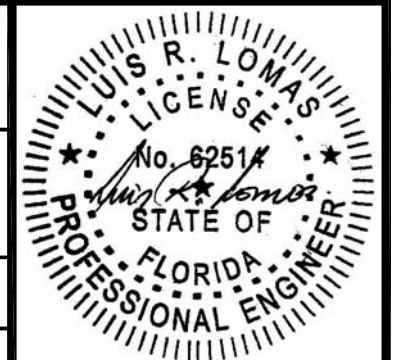


JAMB INSTALLATION DETAIL
WOOD FRAMING OR 2X BUCK INSTALLATION

- NOTES:**
1. INTERIOR AND EXTERIOR FINISHES, BY OTHERS, NOT SHOWN FOR CLARITY.
 2. PERIMETER AND JOINT SEALANT BY OTHERS TO BE DESIGNED IN ACCORDANCE WITH ASTM E2112

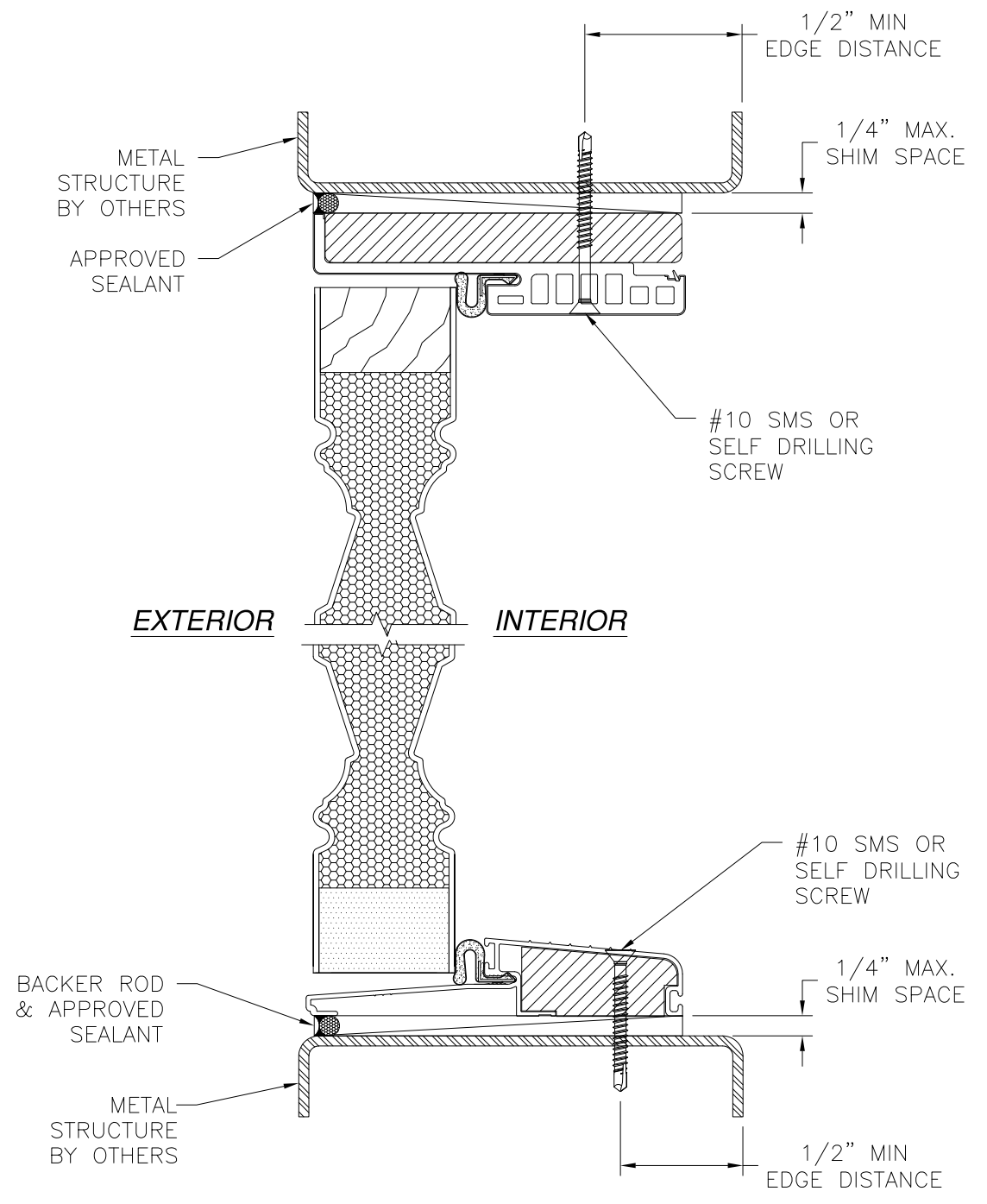
SIGNED: 01/08/2020

PROVIA, LLC. 2150 STATE ROUTE 39 WEST SUGARCREEK, OH 44681		
6'8 HERITAGE FIBERGLASS OPAQUE IS/OS DOOR LARGE MISSILE IMPACT WITH OR WITHOUT SIDELITES OS DOOR W/FUSION FRAME INSTALLATION DETAILS		
DRAWN: V.L.	DWG NO. 08-01362	REV E
SCALE NTS	DATE 10/03/11	SHEET 22 OF 31
L. ROBERTO LOMAS P.E. 1432 WOODFORD RD LEWISVILLE, NC 27023 434-688-0609 rllomas@rlomaspe.com		

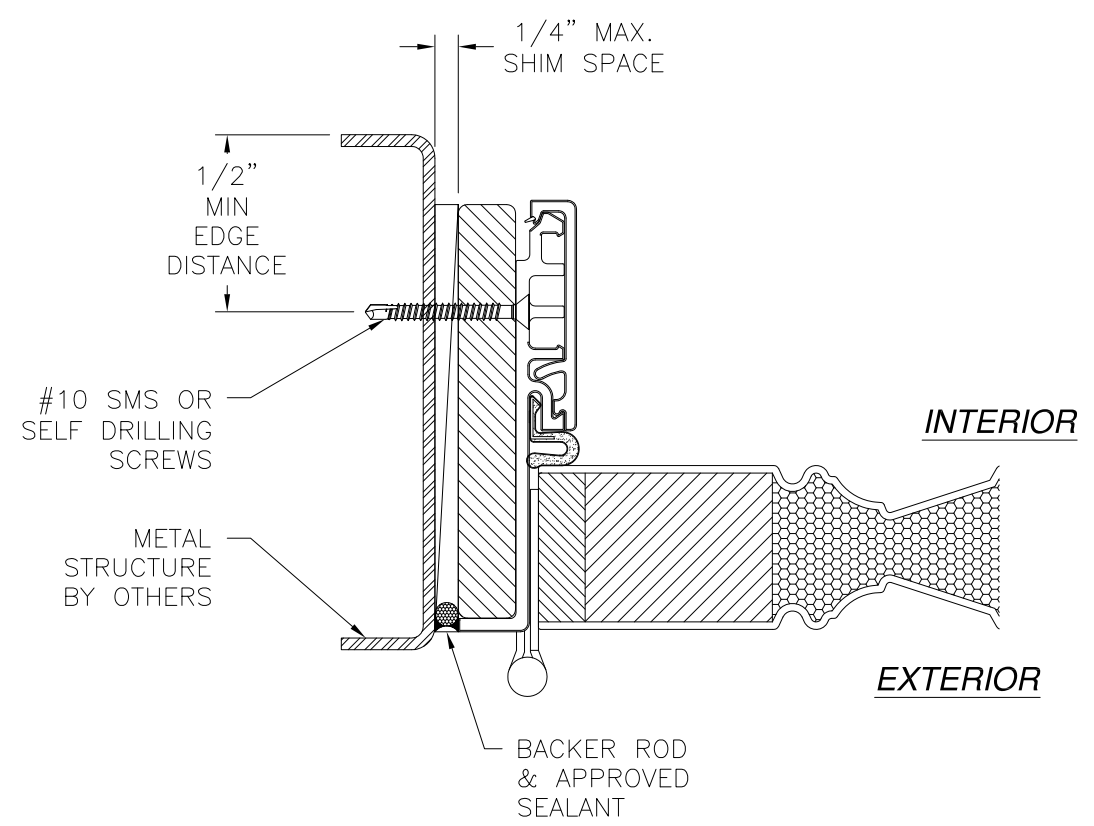


Luis R. Lomas P.E.
FL No.: 62514

REVISIONS			
REV	DESCRIPTION	DATE	APPROVED
E	ADDED SILLS	12/17/19	R.L.



VERTICAL CROSS SECTION
METAL STRUCTURE INSTALLATION



JAMB INSTALLATION DETAIL
METAL STRUCTURE INSTALLATION

NOTES:
 1. INTERIOR AND EXTERIOR FINISHES, BY OTHERS, NOT SHOWN FOR CLARITY.
 2. PERIMETER AND JOINT SEALANT BY OTHERS TO BE DESIGNED IN ACCORDANCE WITH ASTM E2112

SIGNED: 01/08/2020

PROVIA, LLC.
 2150 STATE ROUTE 39 WEST
 SUGARCREEK, OH 44681

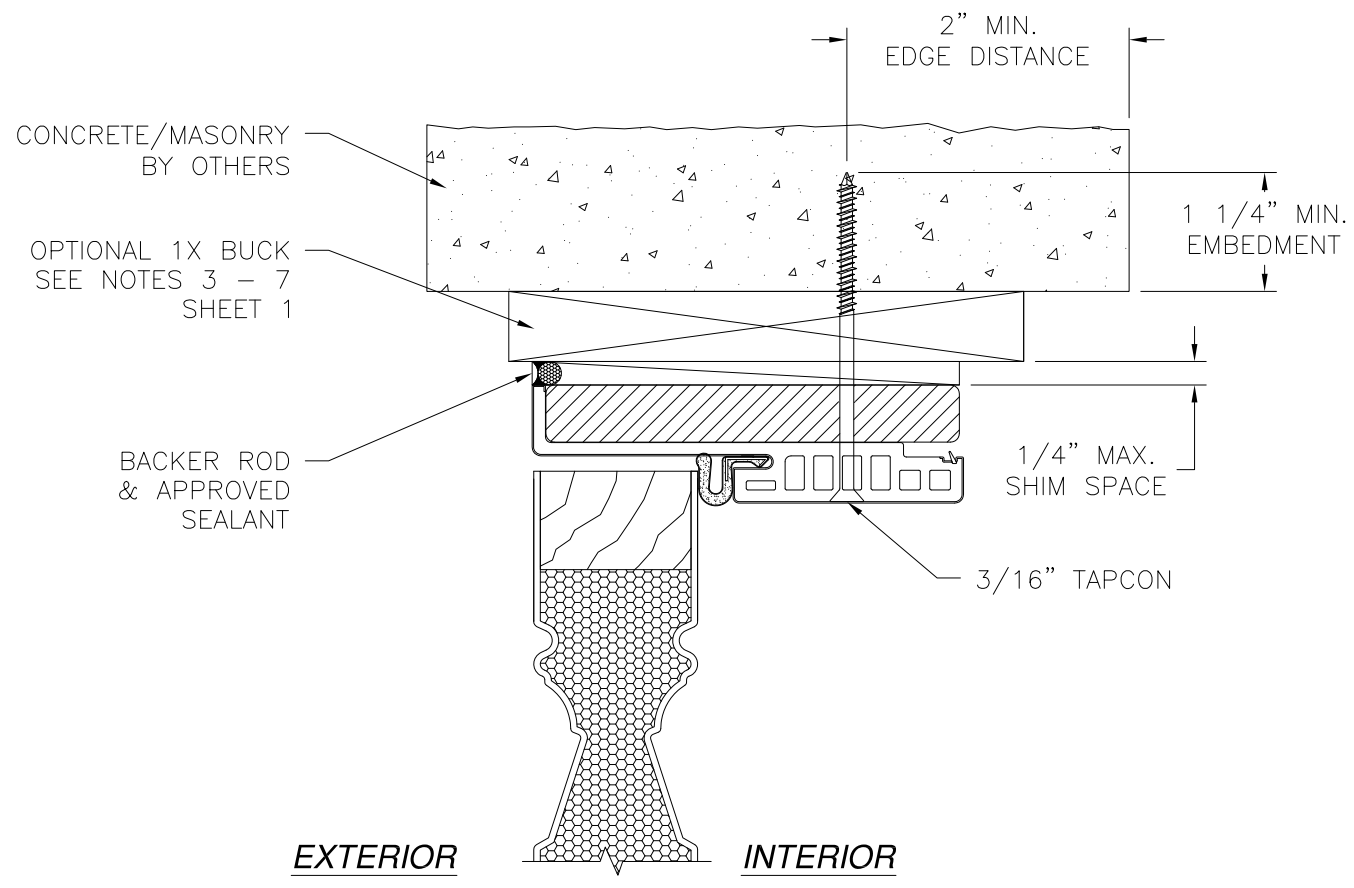
6'8 HERITAGE FIBERGLASS OPAQUE IS/OS DOOR
 LARGE MISSILE IMPACT WITH OR WITHOUT SIDELITES
 OS DOOR W/FUSION FRAME INSTALLATION DETAILS

DRAWN: V.L.	DWG NO. 08-01362	REV E
SCALE NTS	DATE 10/03/11	SHEET 23 OF 31

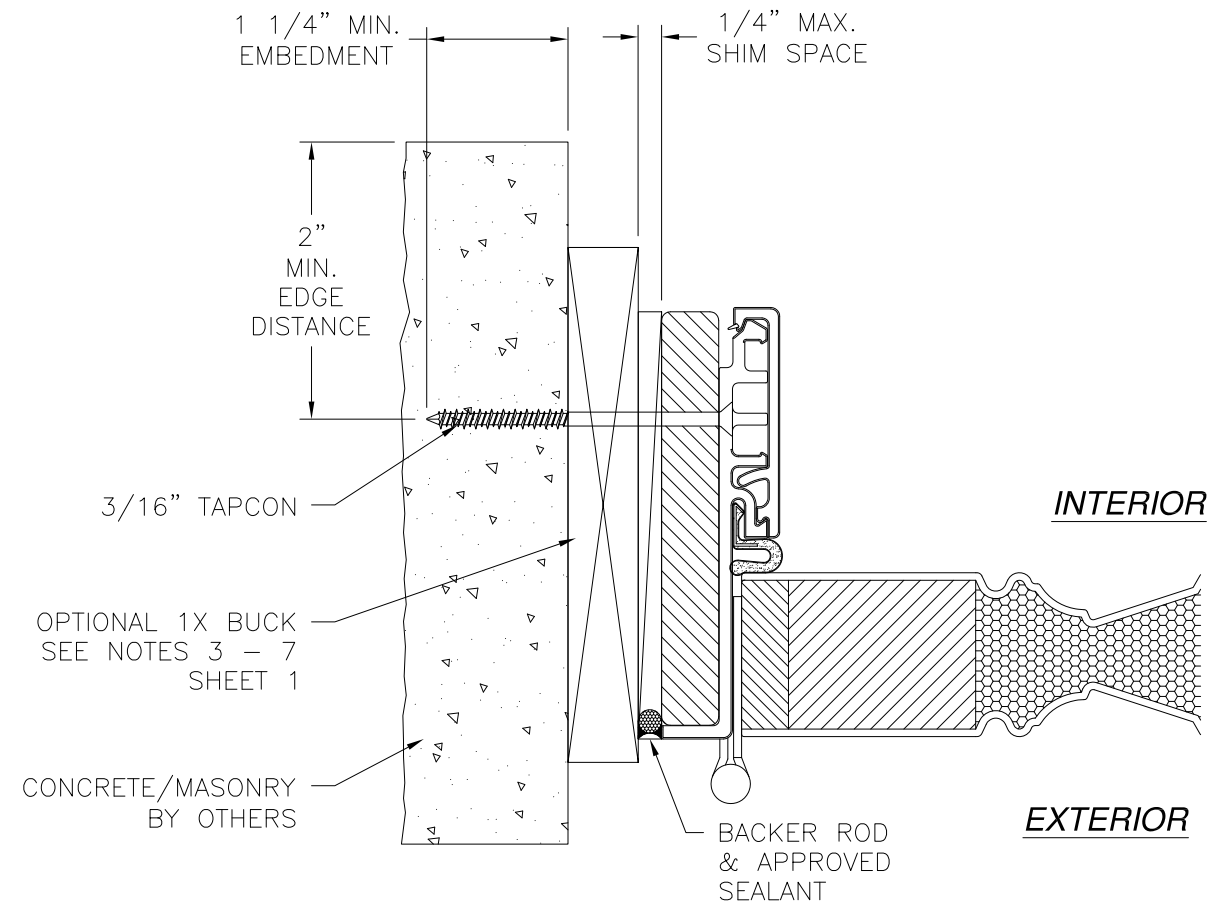
L. ROBERTO LOMAS P.E.
 1432 WOODFORD RD LEWISVILLE, NC 27023
 434-688-0609 rllomas@rlomaspe.com

Luis R. Lomas P.E.
 FL No.: 62514

REVISIONS			
REV	DESCRIPTION	DATE	APPROVED
E	ADDED SILLS	12/17/19	R.L.



VERTICAL CROSS SECTION
CONCRETE/MASONRY INSTALLATION



JAMB INSTALLATION DETAIL
CONCRETE/MASONRY INSTALLATION

- NOTES:**
1. INTERIOR AND EXTERIOR FINISHES, BY OTHERS, NOT SHOWN FOR CLARITY.
 2. PERIMETER AND JOINT SEALANT BY OTHERS TO BE DESIGNED IN ACCORDANCE WITH ASTM E2112

SIGNED: 01/08/2020

PROVIA, LLC.
2150 STATE ROUTE 39 WEST
SUGARCREEK, OH 44681

6'8 HERITAGE FIBERGLASS OPAQUE IS/OS DOOR
LARGE MISSILE IMPACT WITH OR WITHOUT SIDELITES
OS DOOR W/FUSION FRAME INSTALLATION DETAILS

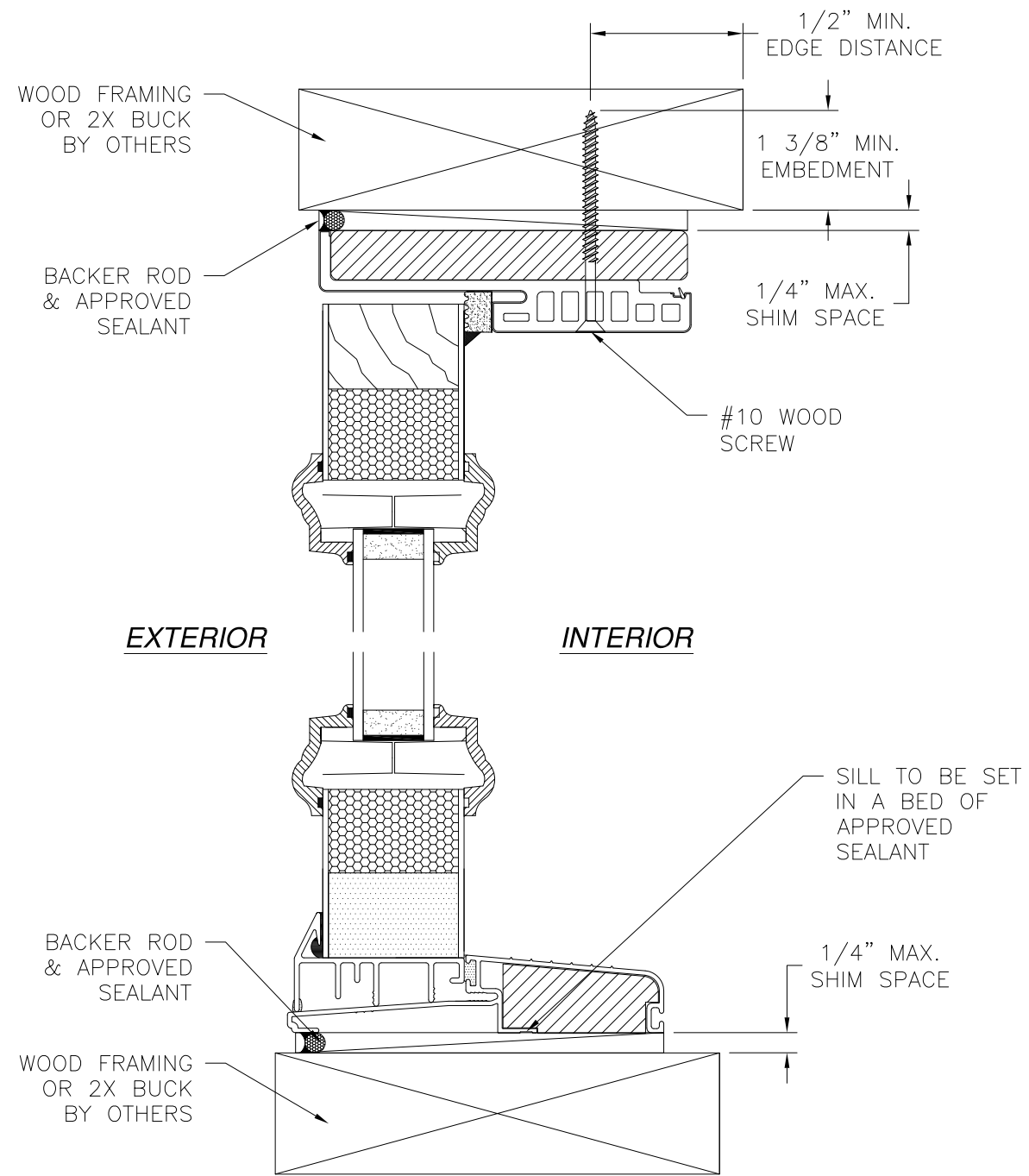
DRAWN: V.L.	DWG NO. 08-01362	REV E
SCALE NTS	DATE 10/03/11	SHEET 24 OF 31

L. ROBERTO LOMAS P.E.
1432 WOODFORD RD LEWISVILLE, NC 27023
434-688-0609 rllomas@rlomaspe.com

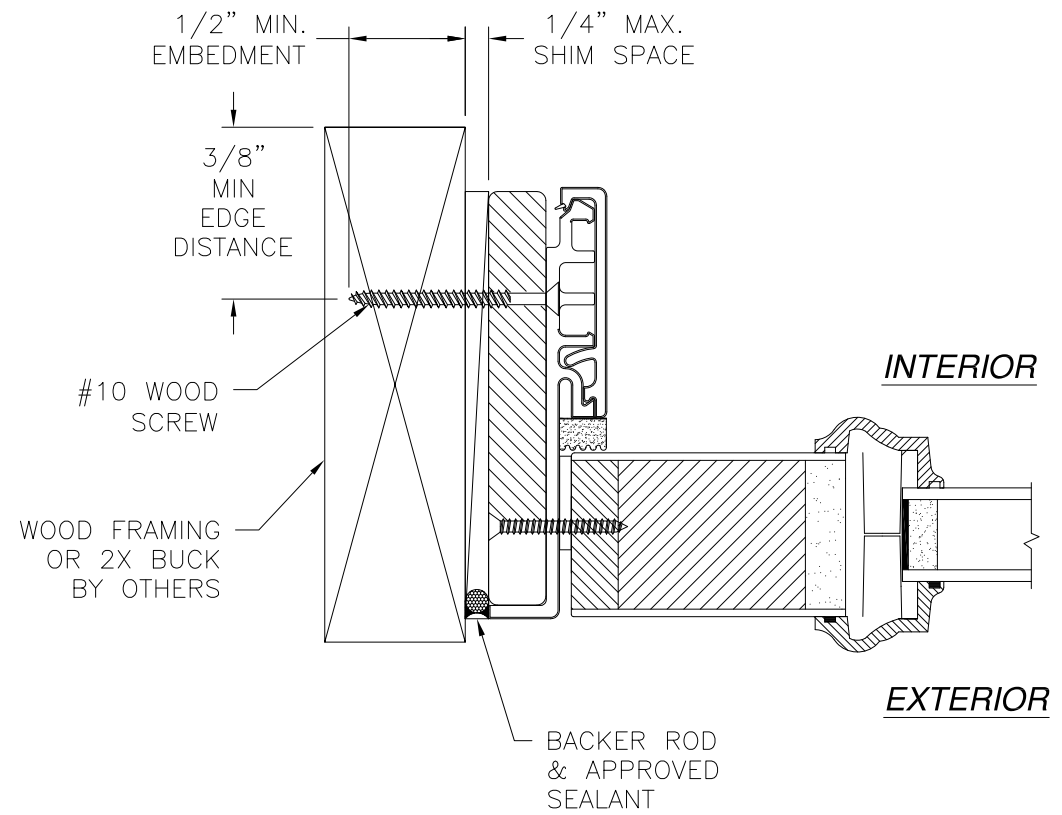


Luis R. Lomas P.E.
FL No.: 62514

REVISIONS			
REV	DESCRIPTION	DATE	APPROVED
E	ADDED SILLS	12/17/19	R.L.



VERTICAL CROSS SECTION
WOOD FRAMING OR 2X BUCK INSTALLATION



JAMB INSTALLATION DETAIL
WOOD FRAMING OR 2X BUCK INSTALLATION

- NOTES:**
1. INTERIOR AND EXTERIOR FINISHES, BY OTHERS, NOT SHOWN FOR CLARITY.
 2. PERIMETER AND JOINT SEALANT BY OTHERS TO BE DESIGNED IN ACCORDANCE WITH ASTM E2112

SIGNED: 01/08/2020

PROVIA, LLC.
2150 STATE ROUTE 39 WEST
SUGARCREEK, OH 44681

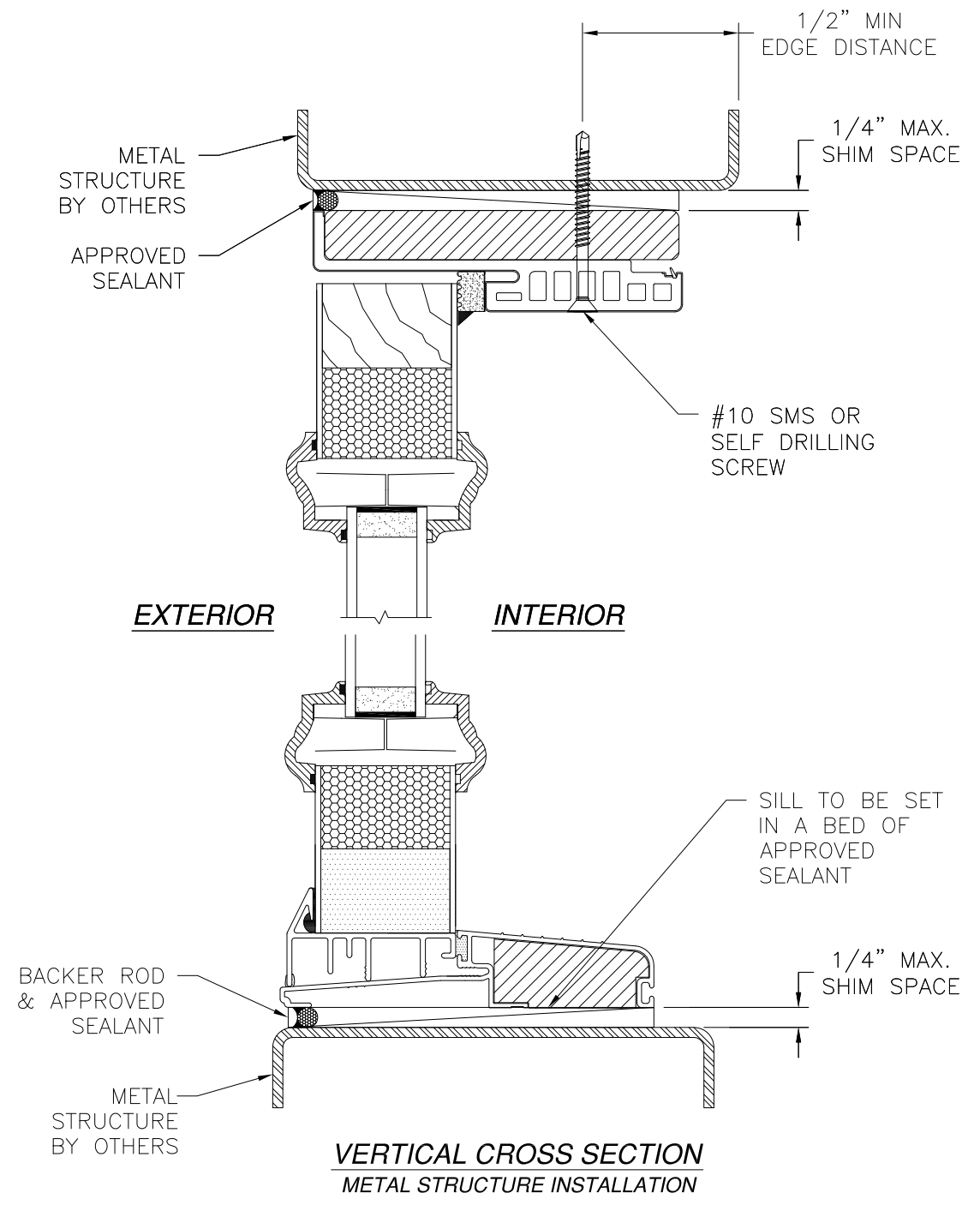
6'8 HERITAGE FIBERGLASS OPAQUE IS/OS DOOR
LARGE MISSILE IMPACT WITH OR WITHOUT SIDELITES
OS SIDELITE W/FUSION FRAME INSTALLATION DETAILS

DRAWN: V.L.	DWG NO. 08-01362	REV E
SCALE NTS	DATE 10/03/11	SHEET 25 OF 31

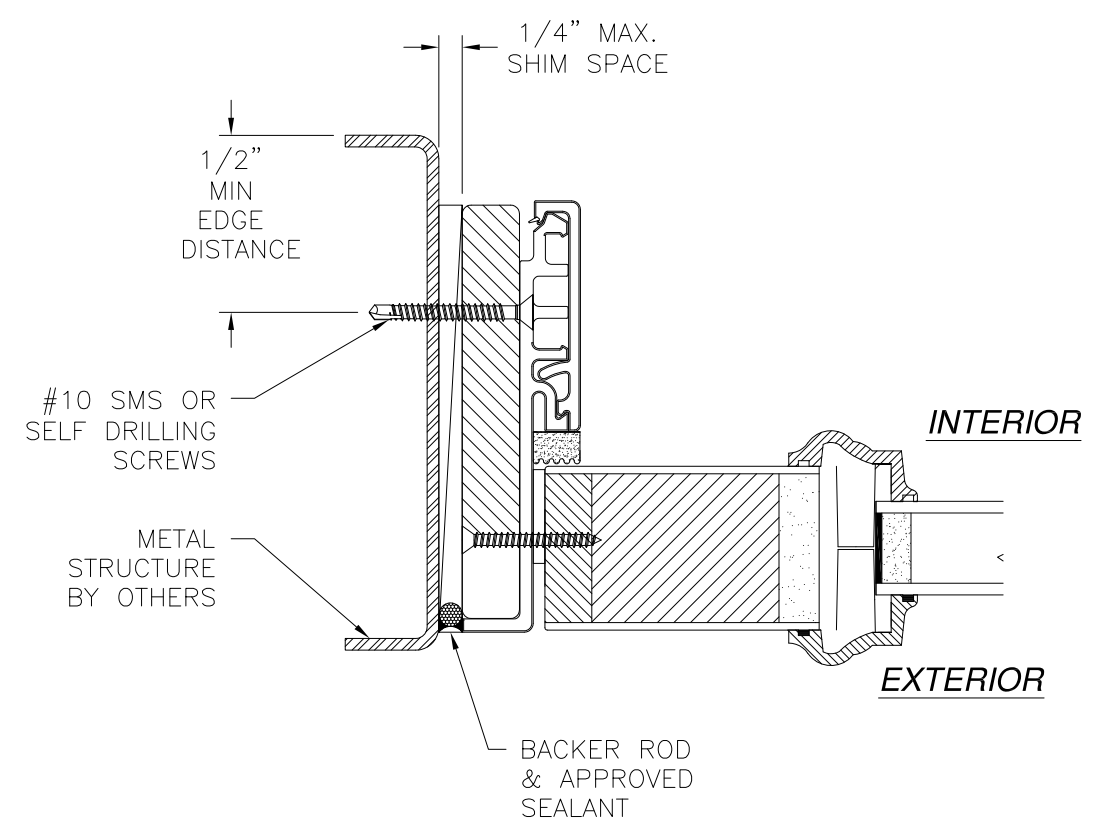
L. ROBERTO LOMAS P.E.
1432 WOODFORD RD LEWISVILLE, NC 27023
434-688-0609 rllomas@rlomaspe.com

Luis R. Lomas P.E.
FL No.: 62514

REVISIONS			
REV	DESCRIPTION	DATE	APPROVED
E	ADDED SILLS	12/17/19	R.L.



VERTICAL CROSS SECTION
METAL STRUCTURE INSTALLATION



JAMB INSTALLATION DETAIL
METAL STRUCTURE INSTALLATION

NOTES:
 1. INTERIOR AND EXTERIOR FINISHES, BY OTHERS, NOT SHOWN FOR CLARITY.
 2. PERIMETER AND JOINT SEALANT BY OTHERS TO BE DESIGNED IN ACCORDANCE WITH ASTM E2112

SIGNED: 01/08/2020

PROVIA, LLC.
 2150 STATE ROUTE 39 WEST
 SUGARCREEK, OH 44681

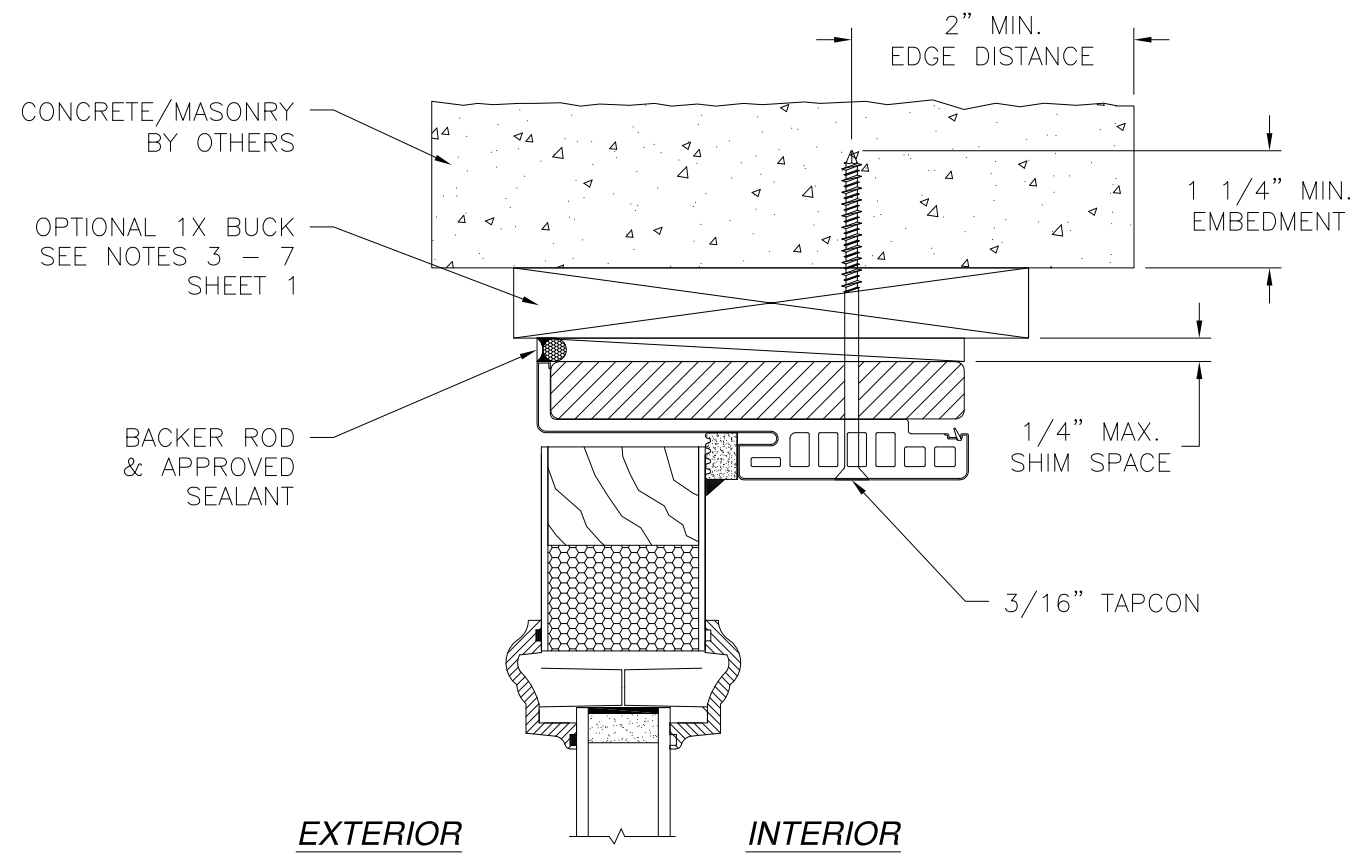
6'8 HERITAGE FIBERGLASS OPAQUE IS/OS DOOR
 LARGE MISSILE IMPACT WITH OR WITHOUT SIDELITES
 OS SIDELITE W/FUSION FRAME INSTALLATION DETAILS

DRAWN: V.L.	DWG NO. 08-01362	REV E
SCALE NTS	DATE 10/03/11	SHEET 26 OF 31

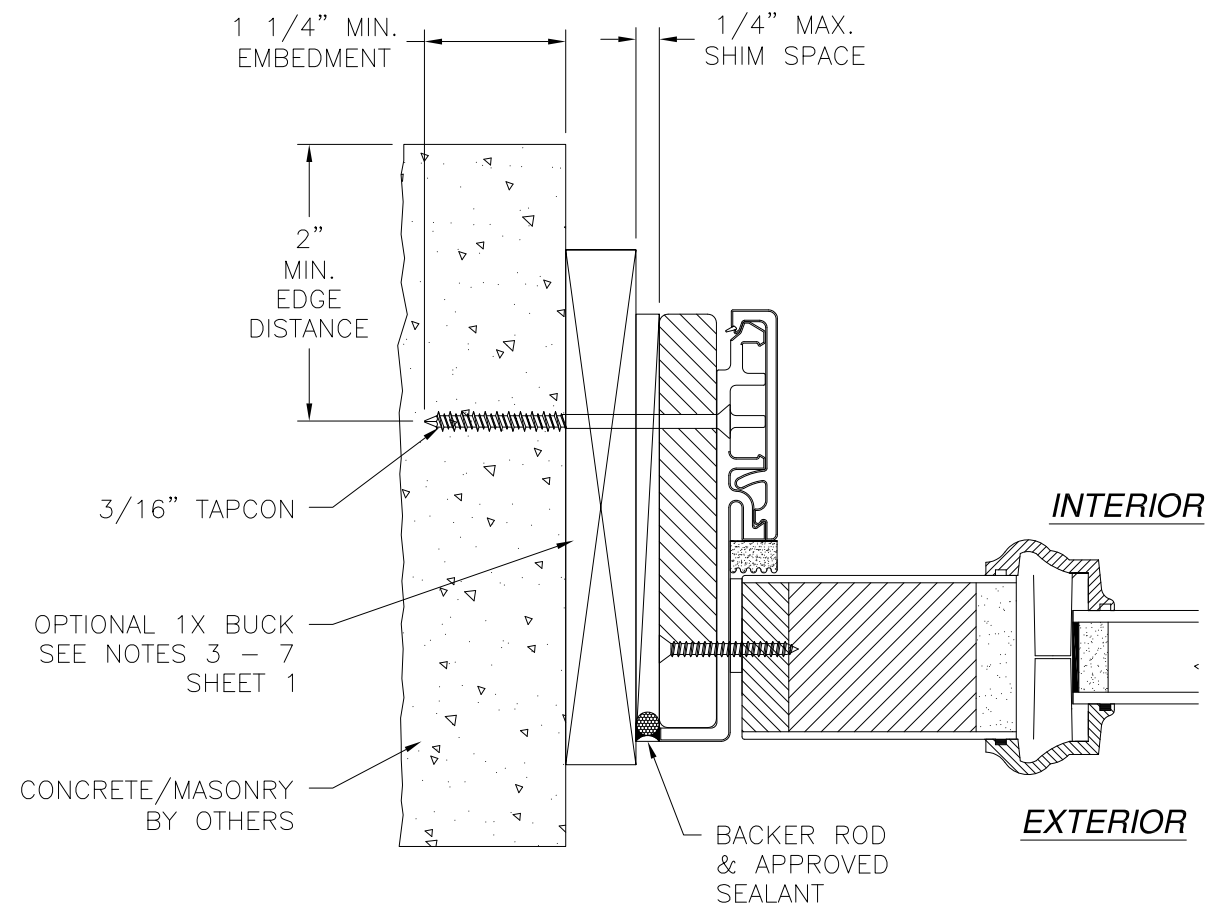
L. ROBERTO LOMAS P.E.
 1432 WOODFORD RD LEWISVILLE, NC 27023
 434-688-0609 rllomas@rlomaspe.com

Luis R. Lomas P.E.
 FL No.: 62514

REVISIONS			
REV	DESCRIPTION	DATE	APPROVED
E	ADDED SILLS	12/17/19	R.L.



**VERTICAL CROSS SECTION
CONCRETE/MASONRY INSTALLATION**



**JAMB INSTALLATION DETAIL
CONCRETE/MASONRY INSTALLATION**

- NOTES:**
1. INTERIOR AND EXTERIOR FINISHES, BY OTHERS, NOT SHOWN FOR CLARITY.
 2. PERIMETER AND JOINT SEALANT BY OTHERS TO BE DESIGNED IN ACCORDANCE WITH ASTM E2112

SIGNED: 01/08/2020

PROVIA, LLC.
2150 STATE ROUTE 39 WEST
SUGARCREEK, OH 44681

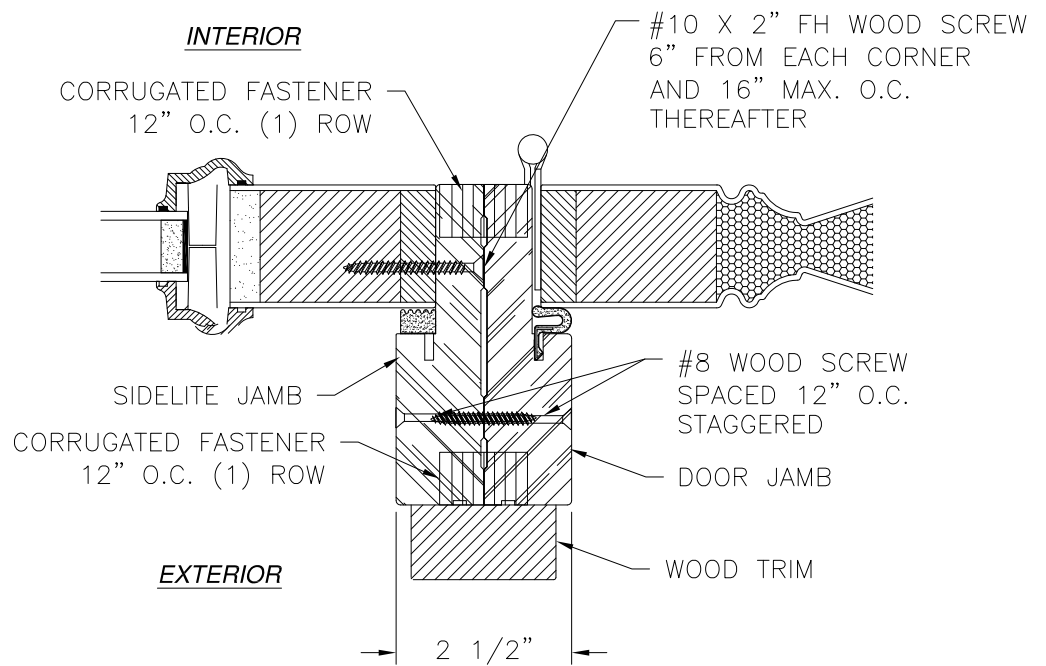
6'8 HERITAGE FIBERGLASS OPAQUE IS/OS DOOR
LARGE MISSILE IMPACT WITH OR WITHOUT SIDELITES
OS SIDELITE W/FUSION FRAME INSTALLATION DETAILS

DRAWN: V.L.	DWG NO. 08-01362	REV E
SCALE NTS	DATE 10/03/11	SHEET 27 OF 31

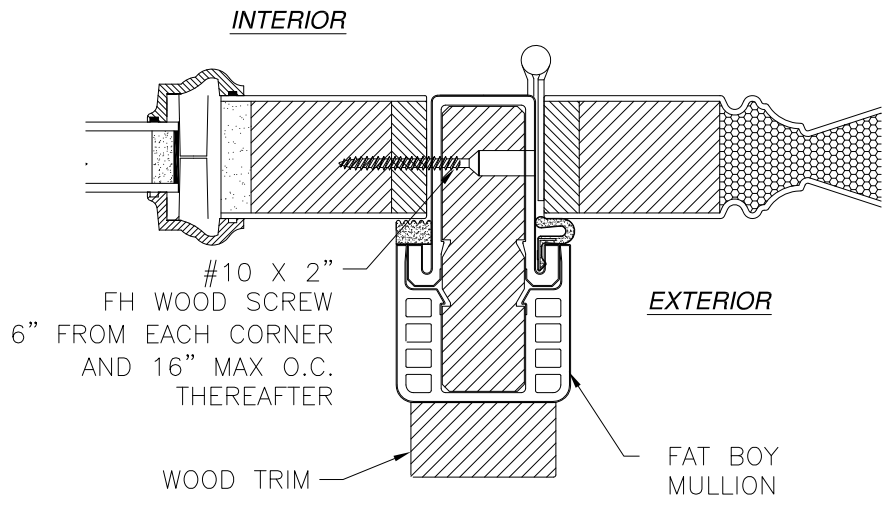
L. ROBERTO LOMAS P.E.
1432 WOODFORD RD LEWISVILLE, NC 27023
434-688-0609 rllomas@rlomaspe.com



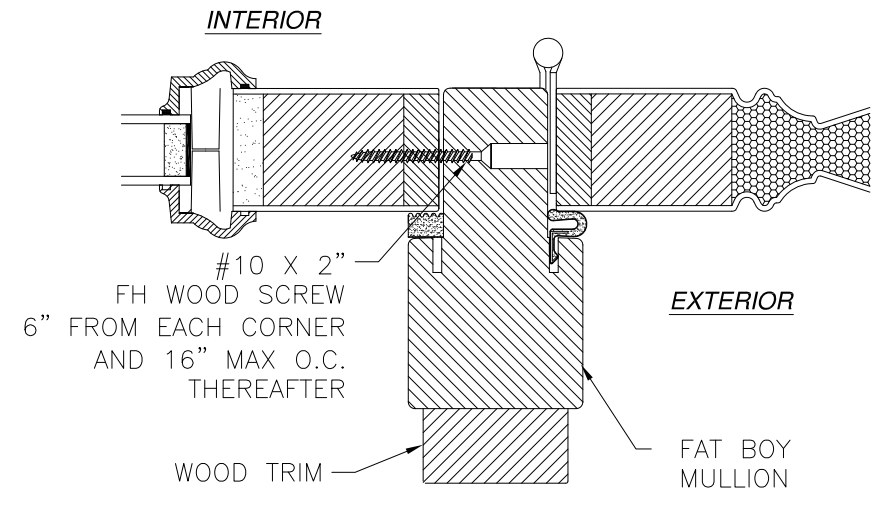
Luis R. Lomas P.E.
FL No.: 62514



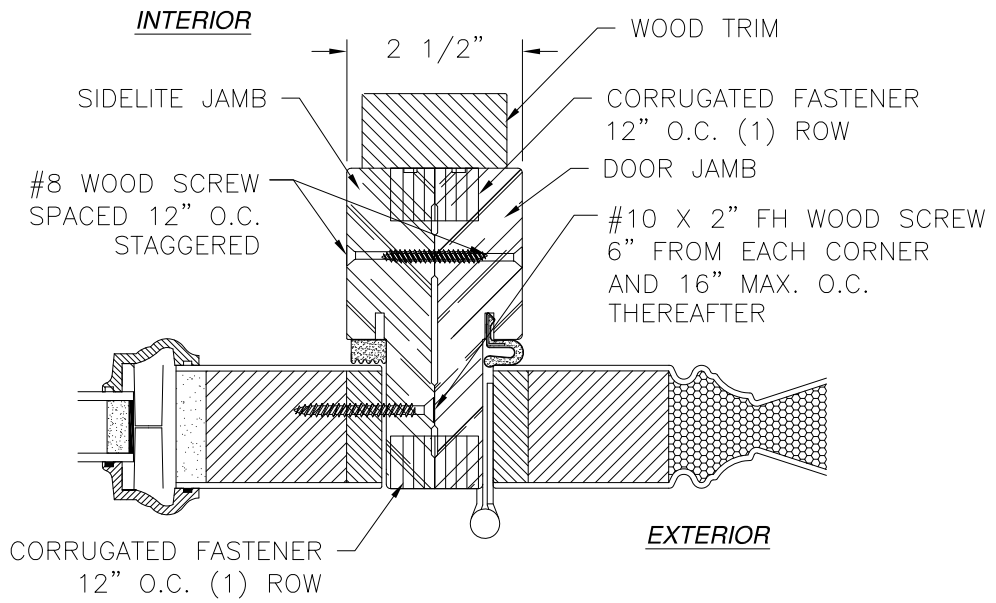
INSWING MULLION DETAIL
STANDARD FRAME SHOWN,
COMPOSITE AND FUSION FRAME SIMILAR



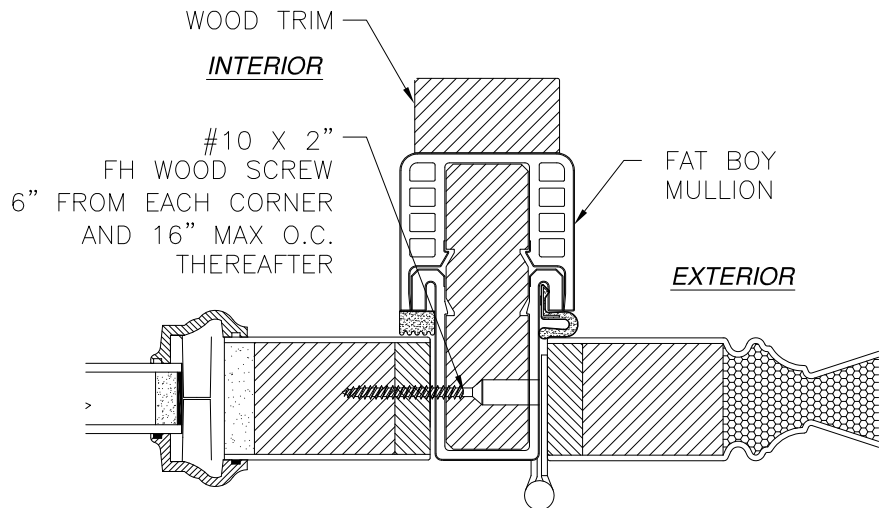
INSWING MULLION DETAIL
WITH HYBRID FAT BOY MULLION



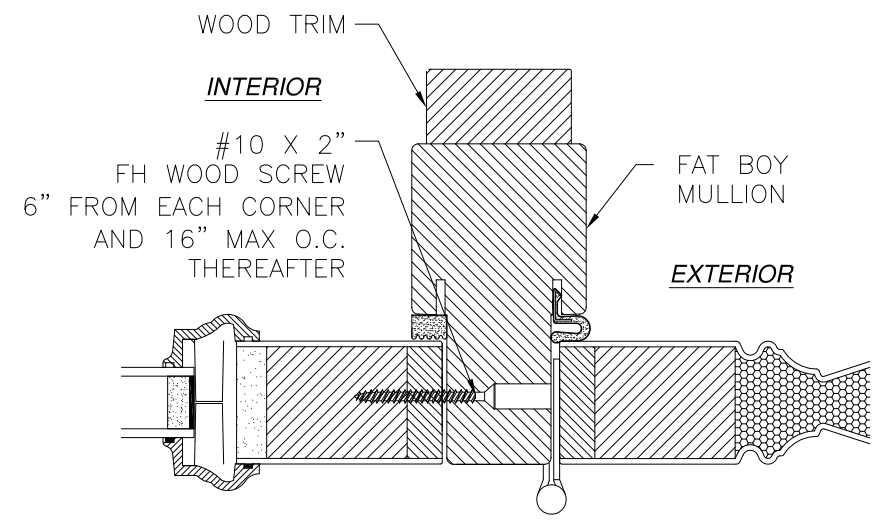
INSWING MULLION DETAIL
WITH FAT BOY MULLION



OUTSWING MULLION DETAIL
STANDARD FRAME SHOWN,
COMPOSITE AND FUSION FRAME SIMILAR



OUTSWING MULLION DETAIL
WITH HYBRID FAT BOY MULLION



OUTSWING MULLION DETAIL
WITH FAT BOY MULLION

REVISIONS			
REV	DESCRIPTION	DATE	APPROVED
E	ADDED SILLS	12/17/19	R.L.

SIGNED: 01/08/2020

PROVIA, LLC.
2150 STATE ROUTE 39 WEST
SUGARCREEK, OH 44681

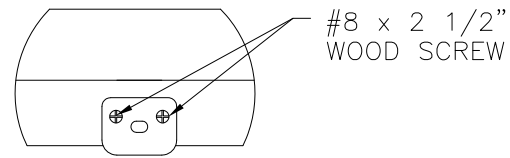
6'8 HERITAGE FIBERGLASS OPAQUE IS/OS DOOR
LARGE MISSILE IMPACT WITH OR WITHOUT SIDELITES
MULLION INSTALLATION DETAILS

DRAWN: V.L.	DWG NO. 08-01362	REV E
SCALE NTS	DATE 10/03/11	SHEET 28 OF 31

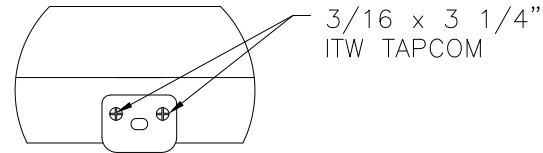
L. ROBERTO LOMAS P.E.
1432 WOODFORD RD LEWISVILLE, NC 27023
434-688-0609 rllomas@rlomaspe.com

Luis R. Lomas P.E.
FL No.: 62514

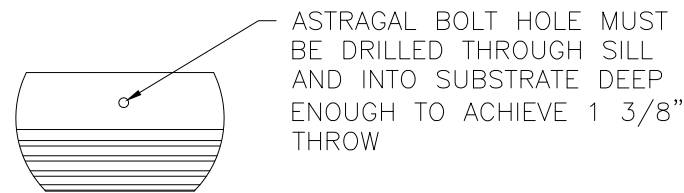
REVISIONS			
REV	DESCRIPTION	DATE	APPROVED
E	ADDED SILLS	12/17/19	R.L.



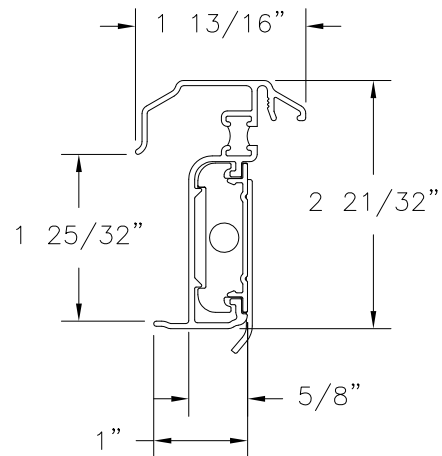
ASTRAGAL HEAD STRIKE DETAIL
2X BUCK/WOOD FRAMING



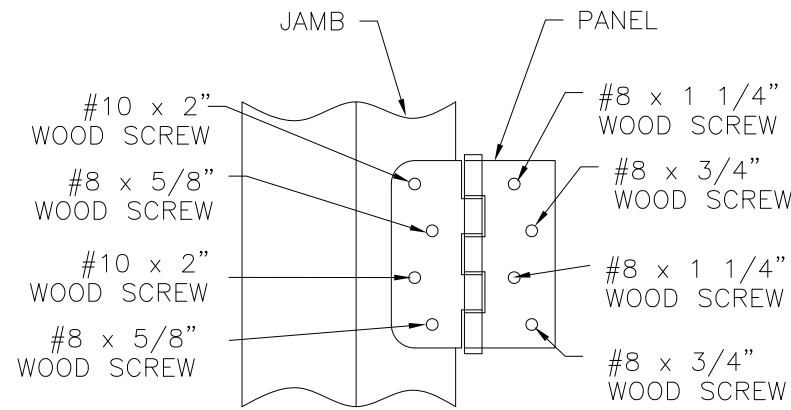
ASTRAGAL HEAD STRIKE DETAIL
MASONRY/CONCRETE



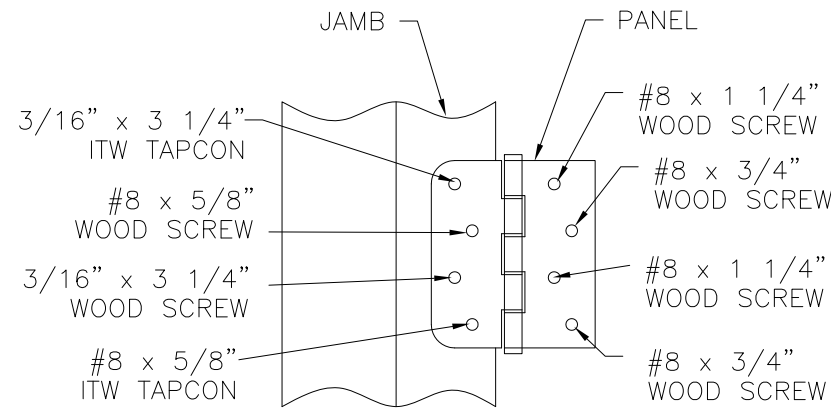
ASTRAGAL SILL DETAIL



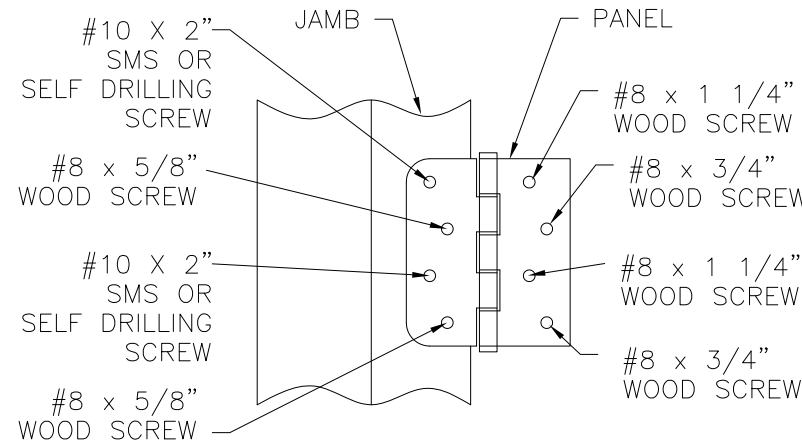
INSWING/OUTSWING HURRICANE ASTRAGAL DETAIL



HINGE INSTALLATION DETAIL
2X BUCK/WOOD FRAMING



HINGE INSTALLATION DETAIL
MASONRY/CONCRETE



HINGE INSTALLATION DETAIL
METAL STRUCTURE

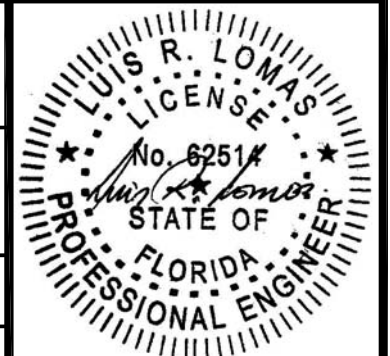
PROVIA, LLC.
2150 STATE ROUTE 39 WEST
SUGARCREEK, OH 44681

6'8 HERITAGE FIBERGLASS OPAQUE IS/OS DOOR
LARGE MISSILE IMPACT WITH OR WITHOUT SIDELITES
ASTRAGAL AND HINGES INSTALLATION DETAILS

DRAWN: V.L.	DWG NO. 08-01362	REV E
SCALE NTS	DATE 10/03/11	SHEET 29 OF 31

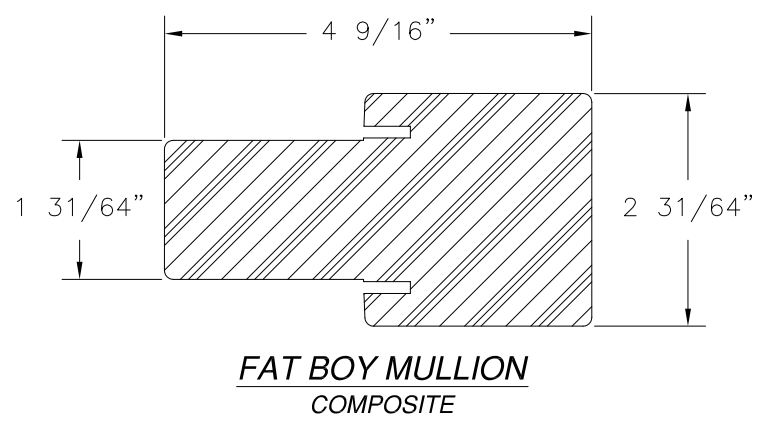
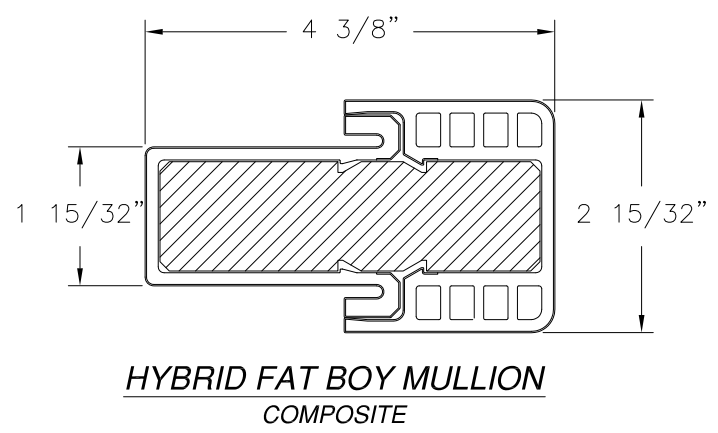
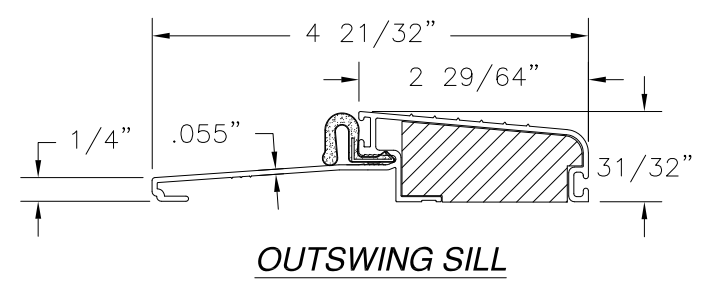
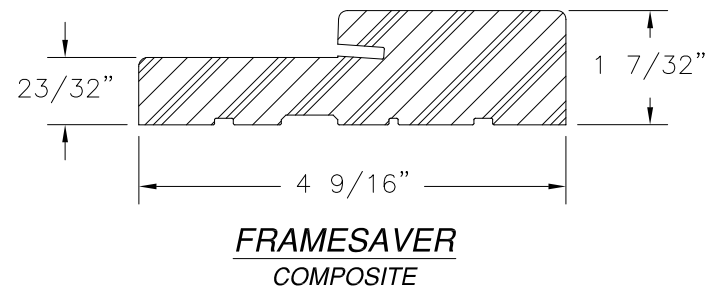
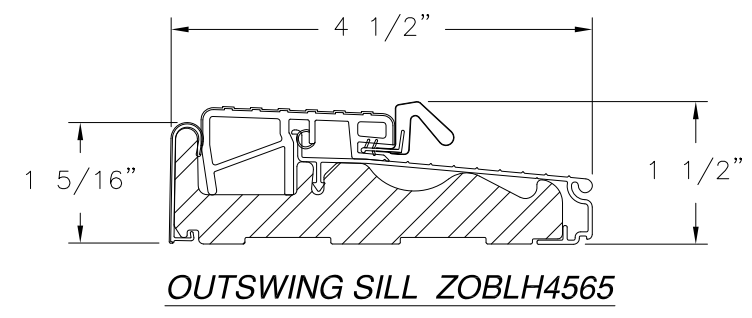
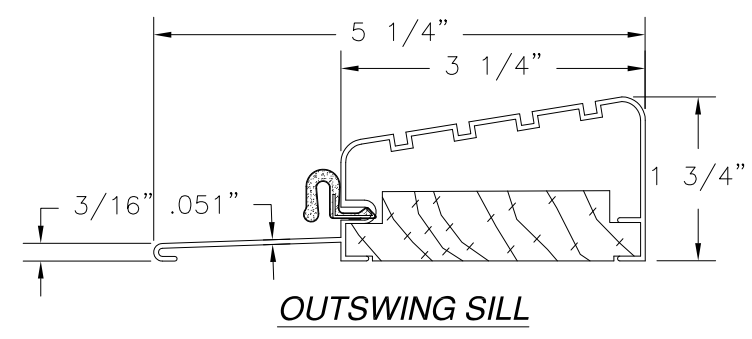
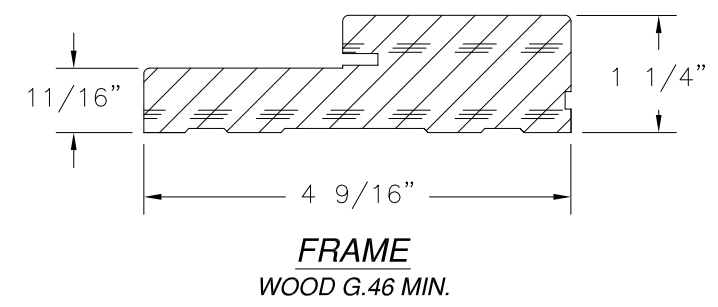
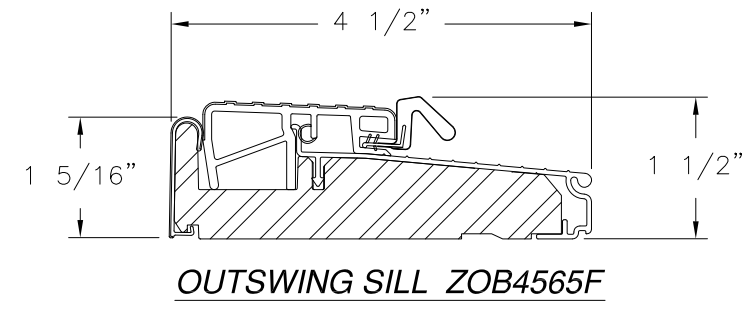
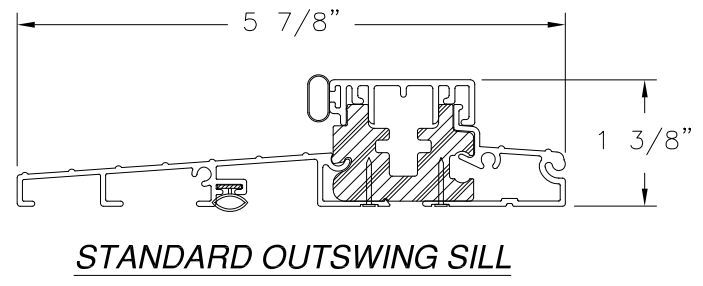
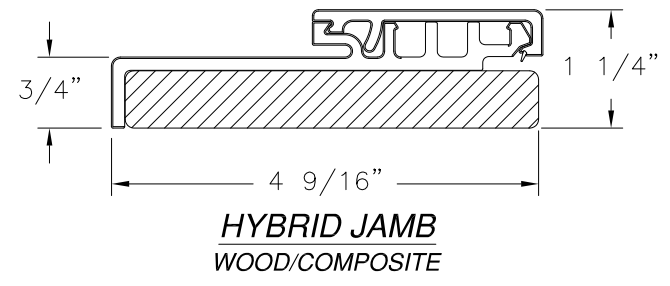
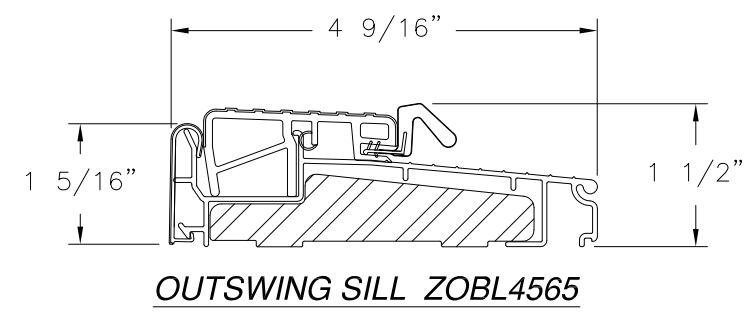
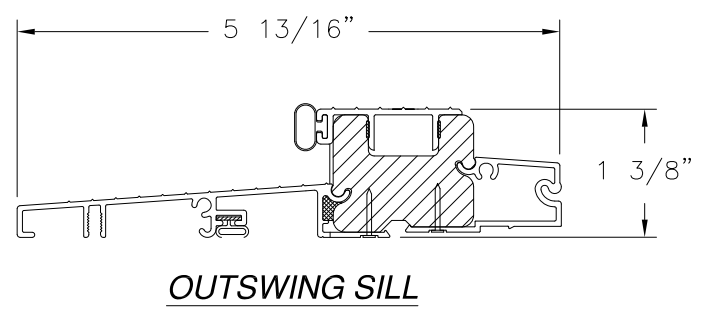
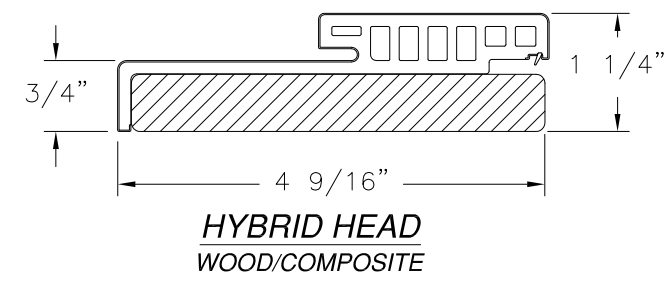
L. ROBERTO LOMAS P.E.
1432 WOODFORD RD LEWISVILLE, NC 27023
434-688-0609 rllomas@rlomaspe.com

SIGNED: 01/08/2020



Luis R. Lomas P.E.
FL No.: 62514

REVISIONS			
REV	DESCRIPTION	DATE	APPROVED
E	ADDED SILLS	12/17/19	R.L.



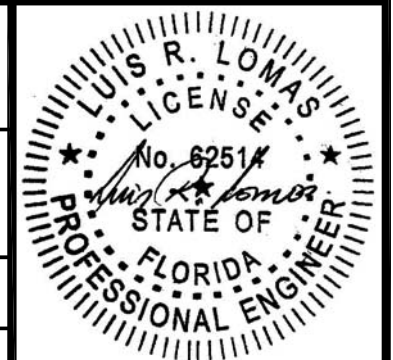
PROVIA, LLC.
2150 STATE ROUTE 39 WEST
SUGARCREEK, OH 44681

6'8 HERITAGE FIBERGLASS OPAQUE IS/OS DOOR
LARGE MISSILE IMPACT WITH OR WITHOUT SIDELITES
COMPONENTS

DRAWN: V.L.	DWG NO. 08-01362	REV E
SCALE NTS	DATE 10/03/11	SHEET 30 OF 31

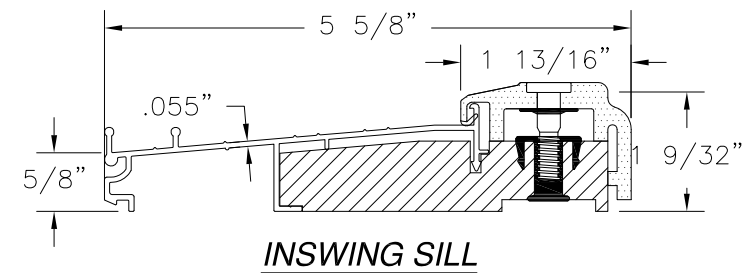
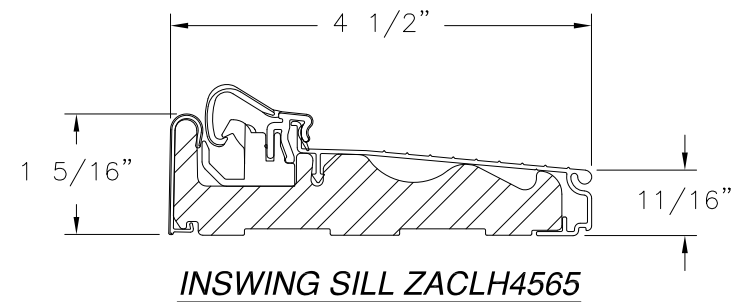
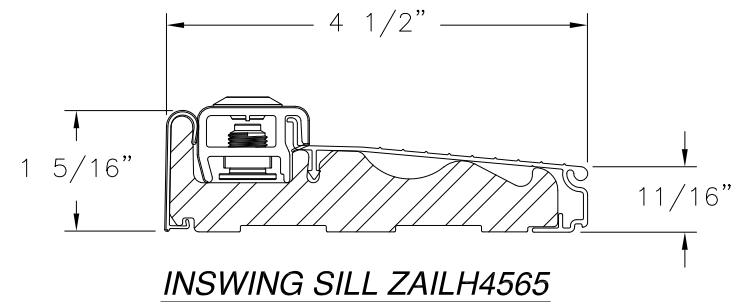
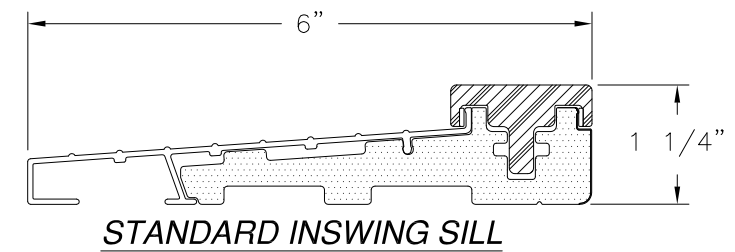
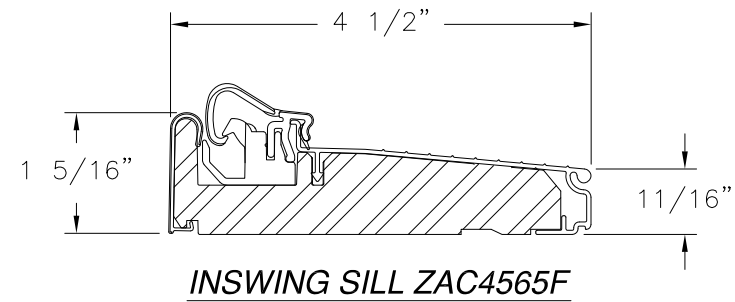
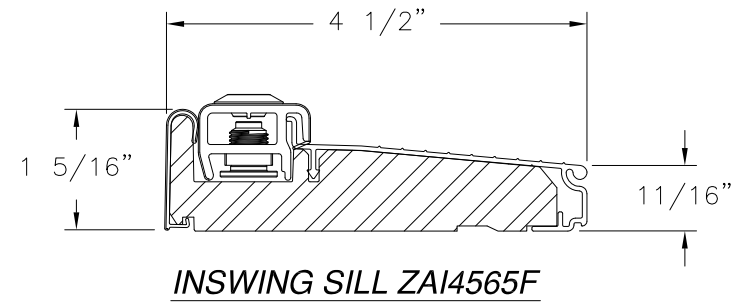
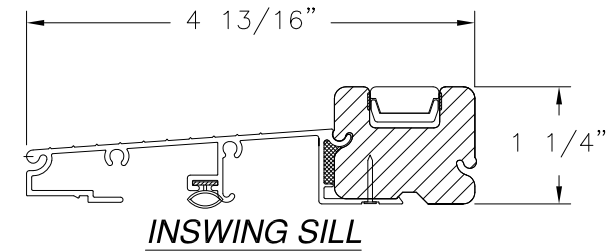
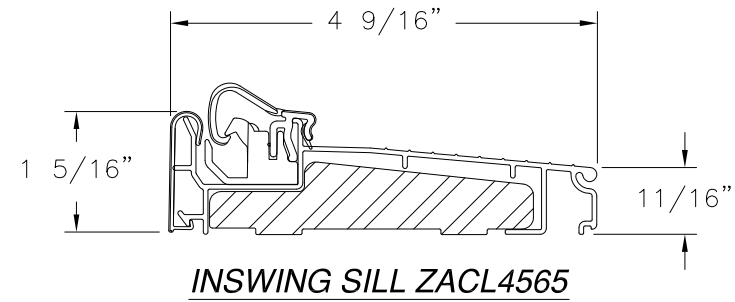
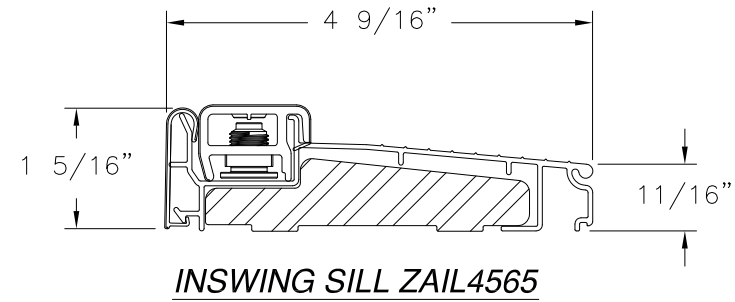
L. ROBERTO LOMAS P.E.
1432 WOODFORD RD LEWISVILLE, NC 27023
434-688-0609 rllomas@rlomaspe.com

SIGNED: 01/08/2020



Luis R. Lomas P.E.
FL No.: 62514

REVISIONS			
REV	DESCRIPTION	DATE	APPROVED
E	ADDED SILLS	12/17/19	R.L.



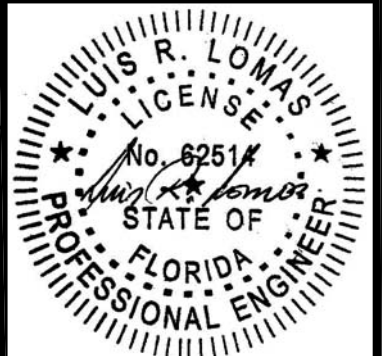
SIGNED: 01/08/2020

PROVIA, LLC.
 2150 STATE ROUTE 39 WEST
 SUGARCREEK, OH 44681

6'8 HERITAGE FIBERGLASS OPAQUE IS/OS DOOR
 LARGE MISSILE IMPACT WITH OR WITHOUT SIDELITES
 COMPONENTS

DRAWN: V.L.	DWG NO. 08-01362	REV E
SCALE NTS	DATE 10/03/11	SHEET 31 OF 31

L. ROBERTO LOMAS P.E.
 1432 WOODFORD RD LEWISVILLE, NC 27023
 434-688-0609 rllomas@rlomaspe.com



Luis R. Lomas P.E.
 FL No.: 62514